

# DK/DN

Ductable Split-System Air Conditioners

Models 125 to 905



12 to 83 kW



12.4 to 83.8 kW



# General Specifications

## Introduction

The **DK/DN air-to-air split-system units** have been designed to meet the market needs where **medium and large capacity** air conditioning is required.

The DK/DN split-system is composed of two separate elements :

- **High static pressure indoor unit (DK).**
- **Compact outdoor unit (DN)** with top discharge.

The two units are to be connected on site by using refrigerant piping supplied by others.

DK/DN units are available in **cooling only** and **heat pumps** versions designed and optimized for operation with **R407C** refrigerant. They offer **12 models** covering nominal cooling capacity range from **12 to 83 kW**.

## DK indoor units

### Casing

- Made of galvanized sheet steel. Casing is thermally and acoustically insulated with polyethylene foam material.
- The DK indoor units can be installed in different positions :

DK	125V	125	155V	155	185	205	255	305	405M	405	505	605	755	905
Horizontal	•	•	•	•	•	•	•	•	•	•	•	•	•	•
Vertical	•	-	•	-	-	-	-	-	-	-	-	-	-	-

- **Top, bottom or side panel gives complete access** to all the internal components for service and maintenance works :

DK	125V	125	155V	155	185	205	255	305	405M	405	505	605	755	905
Top (floor mounted)	•	-	•	-	-	-	-	-	-	-	-	-	-	-
Bottom (ceiling mounted)	•	•	•	•	•	-	-	-	-	-	-	-	-	-
Side	-	-	-	-	-	•	•	•	•	•	•	•	•	•

### Optional discharge acoustical plenum

This acoustical plenum can be supplied as accessory for DK 125, 155 and 185. It is intended to be installed at the discharge side.

The plenum is constructed with galvanized sheet steel and is internally insulated with 25 mm thick glass wool offering sound attenuation of 4.5 dB.

### Coil

- Direct expansion type, consists of seamless copper tubes arranged in a staggered row pattern. Each coil is mechanically expanded into aluminium fins with full fin collars.
- A drain pan is also provided to collect all condensates issuing from coil.
- Refrigerant piping connections are to be done at right side only on all models.
- However, **right or left connection side** (with charge to be done in the field) is possible on models 125, 155, 185, 305, 405M, 405, 505, 605, 755 and 905.
- **Condensate connection can be done at left or right side.**

### Optional electric heater kit

The optional electric heater kit can be provided for field installation at the unit fan discharge side.

This electric heater kit is suitable for 1 or 2-stage control (according to the models) and is equipped with **contactor, automatic reset safety thermostat and manual reset safety thermostat.**

### Air filter

- Synthetic type, G3 efficiency and M1 fire class.
- Filter is supplied as standard on all DK models, except for DK 125V and 155V for which an air filter kit is available as accessory. Air filter kit with access to 4 sides for filter removal, can be supplied as accessory on DK 205 to 605.

## Fan-motor assembly

- Fans consist of double inlet centrifugal wheels mounted on self-aligning bearings.
- Multispeed direct drive type on models 125 to 185.
- Belt drive type with **variable pitch pulley** on models 205 to 905.
- **External static pressure is available up to 460 Pa (max.)** depending on the models.
- **High external static pressure versions are available for** models 305 to 605.
- Motor is resiliently mounted and protected by overload or internal thermal safety device.
- Junction blocks are supplied for electrical connections.

## DN outdoor units

### Casing

The DN outdoor unit cabinet with top discharge is made from galvanized sheet steel coated with **powder-based epoxy paint (RAL 9001)** for bad weather resistance.

The cabinet houses refrigerant circuits with compressors and refrigerant components, air cooled condenser coils, fan-motor assembly and electrical control box.

Access to internal components is done differently according to the models :

- On DN 125, 155, 185, 205, 255, 305, 405, 505 and 605, two access panels are provided to get access to control box and refrigerant components.
- On DN 405M, the access to compressors is obtained through hinged control box. Side panel can be removed for major servicing.
- On DN 755 and 905, one access panel is provided to allow access first to control box; then to refrigerant components thanks to the hinged control box.

Fan is accessible by removing wire mesh guard or via the rear access panel (models 405, 505, 605, 755 and 905).

### Compressors

Each unit is equipped with **one or two** (according to the models) hermetic **Scroll compressors.**

The compressors are mounted on rubber anti-vibration pads. The motors, gas cooled type, are equipped with automatic reset internal thermal protection.

**Crankcase heater** is supplied on each compressor.

### Air cooled condenser coils

Units are provided with one or two air cooled condenser coils.

Condenser coils consist of copper tubes arranged in a staggered row pattern. Each coil is mechanically expanded into aluminium fins with full fin collars.

On heat pump version, fins are coated with **hydrophilic coating.**

Air is entering the coils from 3 sides (models 125 to 305) and 4 sides (models 405M to 905) of the unit.

On units with two coils (models 405 to 905), a **partition panel** is provided to ensure independent air flow.

### Condenser fans and motors

Units are equipped with direct drive propeller fans consisting of plastic or aluminium blades.

Fans are of **two-speed and variable speed** type (on models DN 405M, 755 and 905 which are equipped, as standard, with **fan speed controller**).

They are driven by single or 3-phase motors (according to the models) with automatic reset internal thermal protection.

## General Specifications (continued)

### Refrigerant circuits

The models DN 125 to 405M are supplied with one refrigerant circuit and the models DN 405 to 905 with **two independent refrigerant circuits**.

Each circuit is supplied with :

- Automatic reset low pressure (LP) switch.
- LP & HP tapping points accessible from exterior of the unit.
- Filter-drier.
- Sight glass.
- Suction accumulator.
- 4-way cycle reversal valve (heat pump version).
- Capillary expansion device for models DN 125 to 185.
- Thermostatic expansion valve for models DN 205 to 905.
- Non-return valves.
- Stop valve (models DN 125 to 185).

The models DN 125 to 185 are **charged with refrigerant** and the models DN 205 to 905 with nitrogen to protect the circuits.

The refrigerant connections are of **flare type** (models DN 125 to 185) and **sweat type** (models 205 to 905).

### Electrical box

All electrical equipment required for proper unit operation is located in a weatherproof electrical control box including :

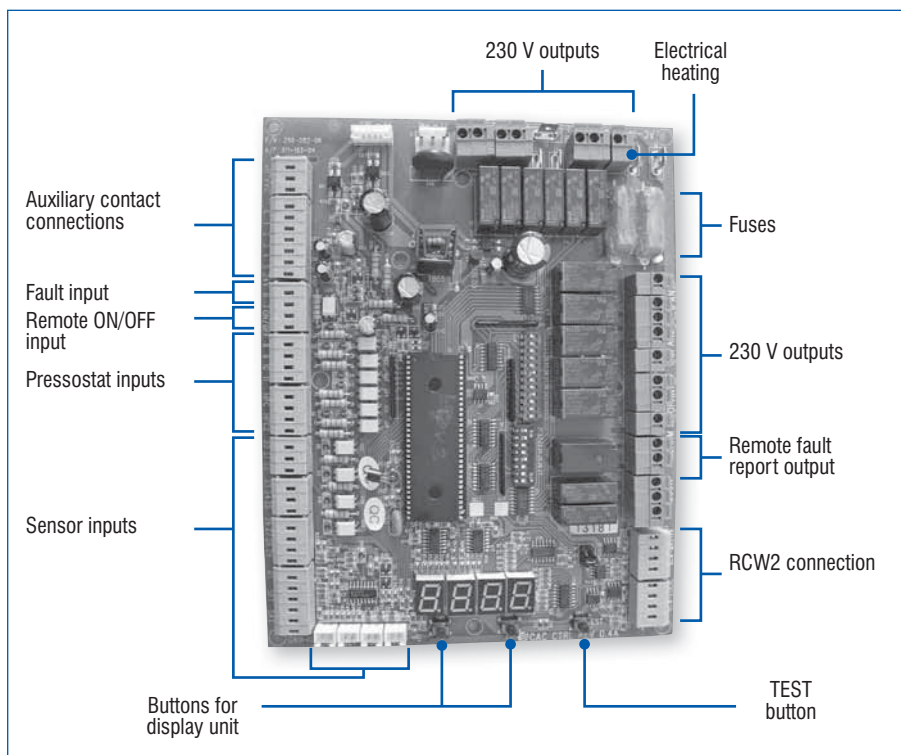
- **Main disconnect switch** (wired but not mounted).
- Control circuit transformer.
- **Phase controller** (rotation and missing phase control).
- Outdoor motor automatic reset thermal protection.
- Indoor motor thermal relay or magneto-thermal circuit breaker.
- Indoor motor contactor.
- Outdoor motor contactor(s).
- Compressor contactor(s).
- Manual reset high pressure (HP) switch.
- Low ambient kit (**frequency inverter**) on models 405M, 755 & 905.
- Electronic controls by **CAC controller**.

## Options and Accessories

- **Electric heater kit** (field installed) for indoor units.
- **High static motor kit** (factory installed) for indoor units, models 305 to 605.
- **Low ambient kit** by fan speed controller (factory installed) for outdoor units (standard on models DN 405M, 755 and 905).
- **RCW2** electronic programmable controller.

## Controls

### Standard CAC controller

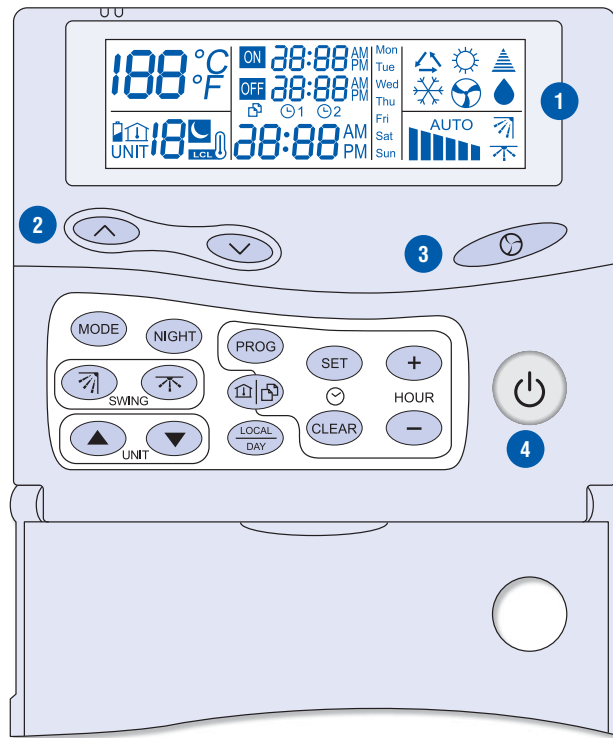


#### Main features :

- Intelligent microprocessor control.
- 4-digit display - shows all status, alarm and sensor information.
- PI compressor and electric heat control (two stages).
- Anti-short cycle control.
- Intelligent de-ice - automatically and continuously adjusts de-ice time to improve comfort and optimize performance under all conditions.
- Alarm log - stores 10 previous alarms even after power cut to assist diagnostics.
- Random restart after power failure - avoids simultaneous starting.
- Test mode - simple one touch control to test in all operating modes.
- Alarm output - voltage free contact for remote monitoring.
- Can be controlled by voltage free contact or electronic thermostat.

## Controls (continued)

### Optional RCW2 electronic programmable controller



#### Main features :

- Can be used to control up to 15 units with independent setpoints and programming.
- Additional «global control» through zone/unit «0» to control all the 15 units with the same parameters at the same time.
- 2 programmes available per day (2 «On» Times and 2 «OFF» Times).
- 7 day programming.

**Note :** RCW2 can be supplied only with CAC controller.

1	Display screen.
2	Keys for raising and lowering the set temperature.
3	Ventilation mode selection (only for DK/DN 125, 155, 185) :
	■ Low speed.
	■■ Medium speed.
	■■■ High speed.
	<b>AUTO</b> Automatic speed selection.
4	ON/Standby.
	(SET) Accessing the time setting mode.
	(+) Advancing the time setting.
	(-) Retarding the time setting.
	(CLEAR) Clearing memory of programmed time settings in programming mode.
	(LOCAL DAY) Day of the week selection key or sending «I feel» local temperature setting.
	(PROG) Programming mode key.
	(COPY) «Copy» key, enabling zone parameters to be duplicated for other zones.
	(MODE) Operating mode selection.
	(NIGHT) Inactive key.
	(▲) Current zone setting : zone above.
	(▼) Current zone setting : zone below.
	(SWING) Inactive key.
	(UNIT) Inactive key.

## Operating Limits

### Cooling mode

Outdoor unit - DN	125 to 305	405M	405 to 605	755 & 905
Min. outdoor temperature standard version	15 °C	-10 °C (*)	15 °C	-10 °C(*)
Min. outdoor temperature with optional low ambient kit	-10 °C	Not applicable	-10 °C	Not applicable
Max. outdoor temperature	+46 °C	+46 °C	+46 °C	+46 °C

Indoor unit - DK	125 to 305	405M	405 to 605	755 & 905
Min. indoor temperature dry bulb/wet bulb	21 °C/15 °C	21 °C/15 °C	21 °C/15 °C	21 °C/15 °C
Max. outdoor temperature dry bulb/wet bulb	32 °C/23 °C	32 °C/23 °C	32 °C/23 °C	32 °C/23 °C

### Heating mode

Outdoor unit - DN	125 to 305	405M	405 to 605	755 & 905
Min. outdoor temperature	-10 °C	-10 °C	-10 °C	-10 °C
Max. outdoor temperature dry bulb	19 °C	19 °C	19 °C	19 °C

Indoor unit - DK	125 to 305	405M	405 to 605	755 & 905
Max. indoor temperature dry bulb	27 °C	27 °C	27 °C	27 °C

(\*) Low ambient kit is supplied as standard on these units.

The low ambient kit (fan speed controller) modulates the outdoor fan rotational speed in order to allow the unit to operate, in cooling mode, with ambient outdoor temperature down to -10 °C.

## Technical Data

MODELS		125V	125	155V	155	185	205	255	305	405M	405	505	605	755	905
Cooling capacity (1)	W	12000	12000	14500	14500	17500	19100	21000	28500	36000	37500	44000	56000	69100	83000
Cooling input (1)	W	4900	4900	5800	5800	6900	7300	8600	11500	13900	14400	16700	22500	26900	33000
Heating capacity (2)	W	12400	12400	15700	15700	18000	18300	21000	27300	36000	36500	42000	57500	71000	83800
Heating input (2)	W	4800	4800	5800	5800	6400	6700	7000	9300	13300	11900	14400	22900	26400	32400
Outdoor unit sound power high fan speed	dBA	80	80	81	81	78	78	81	82	83	82	84	87	87	87
Indoor unit sound power (in duct)	dBA	69	73	72	75	76	82	82	78	81	81	80	81	84	88
<b>REFRIGERANT</b>															
Type	HFC 407C														
Refrigerant charge - Cooling only (3)	g	3030	3030	4730	4730	5530	5910	6060	8760	11550	2x5410	2x7060	2x9930	2x10160	2x12300
Refrigerant charge - Heatpump (3)	g	3200	3200	4830	4830	5950	5910	6010	8700	11550	2x5160	2x7110	2x9430	2x10160	2x12300
Maximum length	m	50	50	50	50	50	30	30	30	30	30	30	30	30	30
Additional charge - Liquid line Ø 1/2"	g/m	48	48	50	50	-	125	125	125	125	125	125	125	125	125
Additional charge - Liquid line Ø 5/8"	g/m	-	-	-	-	55	-	210	210	210	210	210	210	210	210
<b>INDOOR UNIT DK REFRIGERANT CONNECTIONS OF EACH CIRCUIT</b>															
Ø connection - Gas		3/4"	3/4"	7/8"	7/8"	7/8"	1"1/8	1"1/8	7/8"	1"3/8	7/8"	7/8"	1"1/8	1"3/8	1"3/8
Ø connection - Liquid		1/2"	1/2"	1/2"	1/2"	5/8"	1/2"	1/2"	5/8"	5/8"	1/2"	1/2"	1/2"	5/8"	5/8"
<b>OUTDOOR UNIT DN REFRIGERANT CONNECTIONS OF EACH CIRCUIT</b>															
Ø connection - Gas		3/4"	3/4"	3/4"	3/4"	3/4"	1"1/8	1"1/8	1"1/8	1"3/8	7/8"	7/8"	1"1/8	1"3/8	1"3/8
Ø connection - Liquid		1/2"	1/2"	1/2"	1/2"	5/8"	5/8"	5/8"	5/8"	5/8"	5/8"	5/8"	5/8"	5/8"	5/8"
<b>DIMENSIONS INDOOR UNIT DK</b>															
Length	mm	1050	1150	1250	1350	1350	1350	1350	1690	1690	1690	2100	2100	2208	2208
Width	mm	890	745	890	745	745	1060	1060	991	991	991	1064	1064	910	910
Height	mm	350	340	350	340	400	400	400	676	676	676	704	704	795	945
Weight	kg	69	58	77	65	98	98	100	150	160	160	205	209	266	282
<b>DIMENSIONS OUTDOOR UNIT DN</b>															
Length	mm	746 823 with valves	746 823 with valves	900 980 with valves	900 980 with valves	900	900	900	1003	1004	1708	1708	1708	2213	2213
Width	mm	746	746	800	800	800 880 with valves	800	800	1003	1004	1123	1123	1123	1345	1345
Height	mm	909	909	1060	1060	1060	1060	1060	1094	1250	972	1171	1171	1304	1454
Weight	kg	140	140	150	150	164	164	164	187	247	317	378	405	559	592

### (1) Operating conditions - Cooling

Indoor unit inlet temperature : 27 °C (DB) / 19 °C (WB)

Outdoor air suction temperature : 35 °C (DB)

Nominal air flow rates on evaporator and condenser

### (2) Operating conditions - Heating

Indoor unit inlet temperature : 20 °C (DB)

Outdoor air suction temperature : 7 °C (DB) / 6 °C (WB)

Nominal air flow rates on evaporator and condenser

### (3) Charge filled at factory for 4 m long piping on models 125 to 185.

The units 205 to 905 are delivered charged with nitrogen. Charge to be done on site, recommendations indicated for 4 meter long piping.

**(DB) : Dry bulb temperature**

**(WB) : Wet bulb temperature**

## Technical Data (continued)

MODELS		125V	125	155V	155	185	205	255	305	405M	405	505	605	755	905		
<b>INDOOR FANS</b>																	
Number of fans		2	2	2	2	2	2	2	2	2	2	2	2	2	2		
Type		Centrifugal															
Drive type		Direct					Belt with variable pitch pulley										
Max fan rpm - Standard drive	rpm	1300	1300	1300	1300	1100	1200	1200	800	900	900	750	800	910	1020		
Max fan rpm - High static drive	rpm	-	-	-	-	-	-	-	900	950	950	1100	900	-	-		
<b>INDOOR MOTOR</b>																	
Nominal power input - Standard drive	kW	0.58	0.58	0.58	0.58	1.1	1.1	1.1	1.5	1.5	1.5	2.2	2.2	4.0	5.5		
Nominal power input - High static drive	kW	-	-	-	-	-	-	-	1.5	2.2	2.2	3.0	3.0	-	-		
Power supply (V/Ph/Hz)		230/1/50					400/3/50										
Rotational speed - Standard drive	rpm	1380	1350	1380	1350	1200	1410	1410	1420	1420	1420	1425	1425	1435	1440		
Rotational speed - High static drive	rpm	-	-	-	-	-	-	-	1420	1390	1390	1430	1430	-	-		
Nominal air flow	m <sup>3</sup> /h	2100	2100	2850	2850	3500	4500	4680	5760	7560	7560	9360	9720	12000	14300		
<b>OUTDOOR FANS</b>																	
Number of fan		1	1	1	1	1	1	1	1	1	2	2	2	2	2		
Type		Propeller															
Number of blades		5	5	3	3	3	3	3	3	7	3	3	3	7	7		
Fan diameter	mm	560	560	610	610	610	610	610	610	800	610	610	610	800	800		
Drive type		Direct															
Nominal air flow	m <sup>3</sup> /h	5400	5400	9000	9000	9000	9000	9000	9000	16000	2x9000	2x9000	2x9000	2x16000	2x16000		
<b>OUTDOOR MOTORS</b>																	
Total power input	kW	0.42	0.42	0.88	0.88	0.88	0.88	0.88	0.88	1.00	2x0.88	2x0.88	2x0.88	2x1.00	2x1.00		
Rotational speed	rpm	900	900	850	850	850	850	850	850	670	850	850	850	670	670		
Power supply (V/Ph/Hz)		230/1/50								400/3/50	230/1/50			400/3/50			

## Electrical Data

MODELS		125	155	185	205	255	305	405M	405	505	605	755	905
Power supply		400 V / 3 Ph / 50 Hz + Neutral + Earth											
<b>COOLING + FAN (OR HEAT PUMP HEATING)</b>													
Max current	A	14	17	18	19	21	25	32	37	43	50	56	67
Total starting current	A	69.5	80	106	107	96	133	121	124	118	159	192	234
Fuse rating aM		16	20	25	25	25	32	40	40	50	63	63	80
Fuse rating ASE/VDE *		16	20	25	25	25	35	35	50	50	63	63	80
Power supply cable *	mm <sup>2</sup>	5 G 2.5	5 G 2.5	5 G 2.5	5 G 2.5	5 G 4	5 G 6	5 G 10	5 G 10	5 G 16	5 G 16	5 G 25	5 G 35
<b>DK/DN CONNECTION CABLES</b>													
Max current	A	1.7	2.4	5	2.8	2.8	3.5	4.8	4.8	6.6	6.6	8.4	11.7
Cable section	mm <sup>2</sup>	7 G 1.5	7 G 1.5	4 G 1.5	4 G 1.5	4 G 1.5	4 G 1.5	4 G 1.5	4 G 1.5	4 G 1.5	4 G 1.5	4 G 1.5	4 G 2.5

(\*) Data given for information only. They must be checked and adjusted according to the applicable standards : they depend on the system installed and the cables used.

## Optional Electric Heater Data

Models	Capacity (kW)	Number of stages	Power supply cable section (400 V/3 Ph/50 Hz + N+ Earth)	G9 protection
125V	9	1	1.5 to 2.5 mm <sup>2</sup> max.	16 A
125	6	1	1 to 2.5 mm <sup>2</sup> max.	10 A
	8.1	1	1.5 to 2.5 mm <sup>2</sup> max.	16 A
155V	10.5	1	2.5 to 4 mm <sup>2</sup> max.	20 A
155	6	1	1 to 2.5 mm <sup>2</sup> max.	10 A
	8.1	1	1.5 to 2.5 mm <sup>2</sup> max.	16 A
185	12	1	4 mm <sup>2</sup>	20 A
205	12	2 (6 + 6)	4 mm <sup>2</sup>	20 A
255	18	2 (9 + 9)	6 mm <sup>2</sup>	32 A
305	18	2 (9 + 9)	6 mm <sup>2</sup>	32 A
405	21	2 (9 + 12)	10 mm <sup>2</sup>	40 A
505	30	2 (12 + 18)	16 mm <sup>2</sup>	50 A
605	30	2 (12 + 18)	16 mm <sup>2</sup>	50 A
755	30	2 (12 + 18)	16 mm <sup>2</sup>	50 A
905	30	2(12 + 18)	16 mm <sup>2</sup>	50 A

# Cooling Capacity Data

## DK/DN 125, 125V

Nominal air flow 2100 m<sup>3</sup>/h

Air temperature at evaporator inlet (°C)				Air temperature at condenser inlet (°C)						
BH	BS			15	20	25	30	35	40	45
15		PT	kW	12.4	12.0	11.5	11.1	10.6	10.2	9.7
		PA	kW	3.3	3.5	3.7	3.9	4.1	4.3	4.5
	21	PS	kW	7.0	7.1	7.3	7.4	7.6	7.8	7.9
	23			8.0	8.1	8.3	8.5	8.7	8.8	9.0
	25			8.9	9.1	9.3	9.5	9.7	9.9	9.7
	27			9.9	12.0	11.5	11.1	10.6	10.2	9.7
	29			12.4	12.0	11.5	11.1	10.6	10.2	9.7
	31			12.4	12.0	11.5	11.1	10.6	10.2	9.7
17		PT	kW	13.2	12.7	12.2	11.8	11.3	10.8	10.4
		PA	kW	3.4	3.6	3.8	4.0	4.2	4.4	4.6
	21	PS	kW	6.6	6.7	6.9	7.0	7.1	7.3	7.4
	23			7.6	7.8	7.9	8.1	8.3	8.4	8.6
	25			8.6	8.8	9.0	9.2	9.4	9.6	9.8
	27			9.7	9.9	10.1	10.3	10.5	10.8	10.4
	29			10.7	12.6	12.2	11.8	11.3	10.8	10.4
	31			13.1	12.7	12.2	11.8	11.3	10.8	10.4
19		PT	kW	13.9	13.5	13.0	12.5	12.0	11.5	11.0
		PA	kW	3.4	3.6	3.8	4.0	4.3	4.5	4.7
	21	PS	kW	5.1	5.2	5.3	5.4	5.5	5.6	5.7
	23			6.2	6.3	6.4	6.6	6.7	6.8	7.0
	25			7.3	7.4	7.6	7.7	7.9	8.1	8.2
	27			8.4	8.6	8.7	8.9	9.1	9.3	9.5
	29			9.5	9.7	9.9	10.1	10.3	10.5	10.7
	31			10.6	10.8	11.0	11.3	12.0	11.5	11.0
21		PT	kW	14.8	14.3	13.7	13.2	12.7	12.2	11.7
		PA	kW	3.6	3.8	4.0	4.2	4.4	4.6	4.9
	23	PS	kW	4.5	4.6	4.7	4.8	4.9	5.0	5.1
	25			5.7	5.8	5.9	6.0	6.2	6.3	6.4
	27			6.8	7.0	7.1	7.3	7.4	7.6	7.7
	29			8.0	8.2	8.4	8.5	8.7	8.9	9.1
	31			9.2	9.4	9.6	9.8	10.0	10.2	10.4
	33			10.4	10.6	10.8	11.0	11.3	11.5	11.7
23		PT	kW	15.6	15.1	14.5	14.0	13.5	12.9	12.4
		PA	kW	3.7	4.0	4.2	4.4	4.6	4.9	5.1
	25	PS	kW	3.9	3.9	4.0	4.1	4.2	4.3	4.4
	27			5.1	5.2	5.3	5.4	5.5	5.6	5.8
	29			6.3	6.5	6.6	6.7	6.9	7.0	7.2
	31			7.6	7.7	7.9	8.1	8.2	8.4	8.6
	33			8.8	9.0	9.2	9.4	9.6	9.8	10.0

BS : Dry bulb temperature (°C)  
 BH : Wet bulb temperature (°C)  
 PT : Total cooling capacity (kW)  
 PA : Power input without indoor fan (kW)  
 PS : Sensible cooling capacity (kW)

## DK/DN 155, 155V

Nominal air flow 2850 m<sup>3</sup>/h

Air temperature at evaporator inlet (°C)				Air temperature at condenser inlet (°C)						
BH	BS			15	20	25	30	35	40	45
15		PT	kW	15.0	14.4	13.9	13.4	12.8	12.3	11.7
		PA	kW	4.0	4.3	4.5	4.8	5.0	5.3	5.5
	21	PS	kW	8.6	8.8	9.0	9.1	9.3	9.5	9.7
	23			9.8	10.0	10.2	10.4	10.6	10.8	11.0
	25			10.9	11.2	11.4	11.7	11.9	12.1	11.7
	27			12.1	14.4	13.9	13.4	12.8	12.3	11.7
	29			15.0	14.4	13.9	13.4	12.8	12.3	11.7
	31			15.0	14.4	13.9	13.4	12.8	12.3	11.7
17		PT	kW	15.9	15.4	14.8	14.2	13.7	13.1	12.5
		PA	kW	4.1	4.3	4.6	4.8	5.1	5.3	5.6
	21	PS	kW	8.1	8.3	8.4	8.6	8.8	9.0	9.1
	23			9.3	9.6	9.8	10.0	10.2	10.4	10.6
	25			10.6	10.8	11.1	11.3	11.5	11.8	12.0
	27			11.9	12.1	12.4	12.6	12.9	13.1	12.5
	29			15.2	15.2	14.8	14.2	13.7	13.1	12.5
	31			15.8	15.4	14.8	14.2	13.7	13.1	12.5
19		PT	kW	16.8	16.3	15.7	15.1	14.5	13.9	13.3
		PA	kW	4.1	4.4	4.6	4.9	5.2	5.4	5.7
	21	PS	kW	6.3	6.4	6.5	6.7	6.8	7.0	7.1
	23			7.6	7.8	7.9	8.1	8.3	8.4	8.6
	25			8.9	9.1	9.3	9.5	9.7	9.9	10.1
	27			10.3	10.5	10.7	10.9	11.2	11.4	11.6
	29			11.6	11.9	12.1	12.4	12.6	12.9	13.1
	31			12.9	13.2	13.5	15.1	14.5	13.9	13.3
21		PT	kW	17.8	17.2	16.6	16.0	15.4	14.8	14.1
		PA	kW	4.3	4.6	4.8	5.1	5.4	5.6	5.9
	23	PS	kW	5.6	5.7	5.9	6.0	6.1	6.2	6.3
	25			7.0	7.2	7.3	7.5	7.6	7.8	7.9
	27			8.4	8.6	8.8	9.0	9.2	9.4	9.5
	29			9.9	10.1	10.3	10.5	10.7	10.9	11.1
	31			11.3	11.5	11.8	12.0	12.2	12.5	12.7
	33			12.7	13.0	13.2	13.5	13.8	14.1	14.3
23		PT	kW	18.8	18.2	17.6	16.9	16.3	15.6	15.0
		PA	kW	4.5	4.8	5.1	5.3	5.6	5.9	6.2
	25	PS	kW	4.8	4.9	5.0	5.1	5.2	5.3	5.5
	27			6.3	6.5	6.6	6.7	6.9	7.0	7.1
	29			7.8	8.0	8.2	8.3	8.5	8.7	8.8
	31			9.3	9.5	9.7	9.9	10.1	10.3	10.5
	33			10.8	11.0	11.3	11.5	11.7	12.0	12.2

BS : Dry bulb temperature (°C)  
 BH : Wet bulb temperature (°C)  
 PT : Total cooling capacity (kW)  
 PA : Power input without indoor fan (kW)  
 PS : Sensible cooling capacity (kW)

# Cooling Capacity Data

## DK/DN 185

Nominal air flow 3500 m<sup>3</sup>/h

Air temperature at evaporator inlet (°C)				Air temperature at condenser inlet (°C)						
BH	BS			15	20	25	30	35	40	45
15		PT	kW	18.1	17.4	16.8	16.1	15.5	14.8	14.2
		PA	kW	4.5	4.8	5.1	5.4	5.7	5.9	6.2
	21	PS	kW	10.4	10.6	10.9	11.1	11.3	11.5	11.8
	23			11.8	12.1	12.4	12.6	12.9	13.1	13.4
	25			13.3	13.6	13.8	14.1	14.4	14.8	14.2
	27			14.7	17.4	16.8	16.1	15.5	14.8	14.2
	29			18.1	17.4	16.8	16.1	15.5	14.8	14.2
	31			18.1	17.4	16.8	16.1	15.5	14.8	14.2
17		PT	kW	19.2	18.5	17.8	17.2	16.5	15.8	15.1
		PA	kW	4.6	4.9	5.1	5.4	5.7	6.0	6.3
	21	PS	kW	9.8	10.1	10.3	10.5	10.7	10.9	11.1
	23			11.4	11.6	11.8	12.1	12.3	12.6	12.8
	25			12.9	13.1	13.4	13.7	14.0	14.3	14.5
	27			14.4	14.7	15.0	15.3	15.6	15.8	15.1
	29			18.3	18.3	17.8	17.2	16.5	15.8	15.1
	31			19.1	18.5	17.8	17.2	16.5	15.8	15.1
19		PT	kW	20.3	19.6	18.9	18.2	17.5	16.8	16.1
		PA	kW	4.6	4.9	5.2	5.5	5.8	6.1	6.4
	21	PS	kW	7.6	7.8	8.0	8.1	8.3	8.5	8.6
	23			9.3	9.5	9.7	9.9	10.1	10.3	10.5
	25			10.9	11.1	11.3	11.6	11.8	12.0	12.3
	27			12.5	12.7	13.0	13.3	13.6	13.8	14.1
	29			14.1	14.4	14.7	15.0	15.3	15.6	15.9
	31			15.7	16.0	16.4	16.8	17.5	16.8	16.1
21		PT	kW	21.5	20.8	20.0	19.3	18.6	17.8	17.1
		PA	kW	4.8	5.1	5.4	5.7	6.0	6.3	6.6
	23	PS	kW	6.8	7.0	7.1	7.3	7.4	7.6	7.7
	25			8.6	8.7	8.9	9.1	9.3	9.5	9.7
	27			10.3	10.5	10.7	10.9	11.2	11.4	11.6
	29			12.0	12.2	12.5	12.7	13.0	13.3	13.5
	31			13.7	14.0	14.3	14.6	14.9	15.2	15.5
	33			15.4	15.7	16.0	16.4	16.7	17.1	17.4
23		PT	kW	22.7	22.0	21.2	20.4	19.6	18.8	18.1
		PA	kW	5.1	5.4	5.7	6.0	6.3	6.6	6.9
	25	PS	kW	5.9	6.0	6.2	6.3	6.4	6.5	6.7
	27			7.7	7.9	8.0	8.2	8.4	8.5	8.7
	29			9.5	9.7	9.9	10.1	10.3	10.5	10.8
	31			11.3	11.6	11.8	12.1	12.3	12.5	12.8
	33			13.1	13.4	13.7	14.0	14.3	14.5	14.8

BS : Dry bulb temperature (°C)  
 BH : Wet bulb temperature (°C)  
 PT : Total cooling capacity (kW)  
 PA : Power input without indoor fan (kW)  
 PS : Sensible cooling capacity (kW)

## DK/DN 205

Nominal air flow 4500 m<sup>3</sup>/h

Air temperature at evaporator inlet (°C)				Air temperature at condenser inlet (°C)						
BH	BS			15	20	25	30	35	40	45
15		PT	kW	19.7	19.0	18.3	17.6	16.9	16.2	15.4
		PA	kW	4.9	5.2	5.5	5.7	6.0	6.3	6.6
	21	PS	kW	12.0	12.3	12.6	12.8	13.1	13.3	13.6
	23			13.6	13.9	14.2	14.5	14.8	15.1	15.4
	25			15.1	15.5	15.8	17.6	16.9	16.2	15.4
	27			19.2	19.0	18.3	17.6	16.9	16.2	15.4
	29			19.7	19.0	18.3	17.6	16.9	16.2	15.4
	31			19.7	19.0	18.3	17.6	16.9	16.2	15.4
17		PT	kW	21.0	20.2	19.5	18.7	18.0	17.2	16.5
		PA	kW	4.9	5.2	5.5	5.8	6.1	6.4	6.7
	21	PS	kW	11.5	11.8	12.0	12.3	12.5	12.8	13.0
	23			13.2	13.4	13.7	14.0	14.3	14.6	14.9
	25			14.8	15.1	15.5	15.8	16.1	16.4	16.5
	27			16.5	16.8	19.0	18.7	18.0	17.2	16.5
	29			20.0	20.0	19.5	18.7	18.0	17.2	16.5
	31			20.8	20.2	19.5	18.7	18.0	17.2	16.5
19		PT	kW	22.2	21.4	20.6	19.9	19.1	18.3	17.6
		PA	kW	5.0	5.3	5.6	5.9	6.2	6.5	6.8
	21	PS	kW	9.1	9.3	9.5	9.7	9.9	10.1	10.3
	23			10.9	11.1	11.4	11.6	11.8	12.1	12.3
	25			12.7	12.9	13.2	13.5	13.8	14.0	14.3
	27			14.4	14.7	15.0	15.3	15.7	16.0	16.3
	29			16.2	16.5	16.9	17.2	17.6	17.9	17.6
	31			17.9	20.8	20.6	19.9	19.1	18.3	17.6
21		PT	kW	23.5	22.7	21.9	21.1	20.3	19.4	18.6
		PA	kW	5.2	5.5	5.8	6.1	6.5	6.8	7.1
	23	PS	kW	8.3	8.5	8.6	8.8	9.0	9.2	9.4
	25			10.1	10.4	10.6	10.8	11.0	11.2	11.5
	27			12.0	12.3	12.5	12.8	13.1	13.3	13.6
	29			13.9	14.2	14.5	14.8	15.1	15.4	15.7
	31			15.7	16.1	16.4	16.8	17.1	17.4	17.8
	33			17.6	18.0	18.4	18.7	19.1	20.2	19.5
23		PT	kW	24.8	24.0	23.1	22.3	21.4	20.6	19.7
		PA	kW	5.4	5.8	6.1	6.4	6.8	7.1	7.4
	25	PS	kW	7.3	7.4	7.6	7.7	7.9	8.1	8.2
	27			9.2	9.4	9.6	9.8	10.0	10.2	10.4
	29			11.2	11.5	11.7	11.9	12.2	12.4	12.7
	31			13.2	13.5	13.8	14.0	14.3	14.6	14.9
	33			15.2	15.5	15.8	16.1	16.5	16.8	17.1

BS : Dry bulb temperature (°C)  
 BH : Wet bulb temperature (°C)  
 PT : Total cooling capacity (kW)  
 PA : Power input without indoor fan (kW)  
 PS : Sensible cooling capacity (kW)

# Cooling Capacity Data

## DK/DN 255

Nominal air flow 4680 m<sup>3</sup>/h

Air temperature at evaporator inlet (°C)				Air temperature at condenser inlet (°C)						
BH	BS			15	20	25	30	35	40	45
15		PT	kW	21.7	20.9	20.1	19.3	18.6	17.8	17.0
		PA	kW	5.9	6.3	6.6	7.0	7.3	7.7	8.1
	21	PS	kW	12.9	13.2	13.5	13.7	14.0	14.3	14.6
	23			14.6	14.9	15.2	15.6	15.9	16.2	16.5
	25			16.3	16.7	17.0	17.4	18.6	17.8	17.0
	27			21.1	20.9	20.1	19.3	18.6	17.8	17.0
	29			21.7	20.9	20.1	19.3	18.6	17.8	17.0
	31			21.7	20.9	20.1	19.3	18.6	17.8	17.0
17		PT	kW	23.1	22.2	21.4	20.6	19.8	19.0	18.1
		PA	kW	5.9	6.3	6.7	7.0	7.4	7.8	8.1
	21	PS	kW	12.3	12.5	12.8	13.1	13.3	13.6	13.9
	23			14.1	14.4	14.7	15.0	15.3	15.6	15.9
	25			15.9	16.3	16.6	17.0	17.3	17.6	18.0
	27			17.7	18.1	18.5	20.6	19.8	19.0	18.1
	29			22.0	22.0	21.4	20.6	19.8	19.0	18.1
	31			22.9	22.2	21.4	20.6	19.8	19.0	18.1
19		PT	kW	24.4	23.6	22.7	21.9	21.0	20.1	19.3
		PA	kW	6.0	6.4	6.8	7.2	7.5	7.9	8.3
	21	PS	kW	9.7	9.9	10.1	10.3	10.5	10.7	10.9
	23			11.6	11.8	12.1	12.3	12.6	12.9	13.1
	25			13.5	13.8	14.1	14.4	14.7	15.0	15.3
	27			15.5	15.8	16.1	16.5	16.8	17.1	17.5
	29			17.4	17.8	18.1	18.5	18.9	19.3	19.3
	31			19.3	19.7	22.7	21.9	21.0	20.1	19.3
21		PT	kW	25.8	24.9	24.1	23.2	22.3	21.4	20.5
		PA	kW	6.3	6.7	7.1	7.5	7.8	8.2	8.6
	23	PS	kW	8.7	8.9	9.1	9.3	9.5	9.7	9.8
	25			10.8	11.0	11.2	11.5	11.7	11.9	12.2
	27			12.8	13.1	13.4	13.6	13.9	14.2	14.5
	29			14.9	15.2	15.5	15.8	16.1	16.5	16.8
	31			16.9	17.3	17.6	18.0	18.4	18.7	19.1
	33			19.0	19.4	19.8	20.2	20.6	21.0	21.5
23		PT	kW	27.3	26.4	25.4	24.5	23.6	22.6	21.7
		PA	kW	6.6	7.0	7.4	7.8	8.2	8.6	9.0
	25	PS	kW	7.6	7.8	7.9	8.1	8.3	8.4	8.6
	27			9.8	10.0	10.2	10.4	10.6	10.8	11.0
	29			11.9	12.2	12.4	12.7	13.0	13.2	13.5
	31			14.1	14.4	14.7	15.0	15.3	15.6	15.9
	33			16.3	16.6	17.0	17.3	17.7	18.0	18.4

BS : Dry bulb temperature (°C)  
 BH : Wet bulb temperature (°C)  
 PT : Total cooling capacity (kW)  
 PA : Power input without indoor fan (kW)  
 PS : Sensible cooling capacity (kW)

## DK/DN 305

Nominal air flow 5760 m<sup>3</sup>/h

Air temperature at evaporator inlet (°C)				Air temperature at condenser inlet (°C)						
BH	BS			15	20	25	30	35	40	45
15		PT	kW	29.5	28.4	27.3	26.3	25.2	24.1	23.1
		PA	kW	7.8	8.3	8.7	9.2	9.7	10.2	10.6
	21	PS	kW	17.3	17.7	18.0	18.4	18.8	19.2	19.5
	23			19.6	20.0	20.5	20.9	21.3	21.7	22.2
	25			21.9	22.4	22.9	23.4	23.8	24.1	23.1
	27			28.7	28.4	27.3	26.3	25.2	24.1	23.1
	29			29.5	28.4	27.3	26.3	25.2	24.1	23.1
	31			29.5	28.4	27.3	26.3	25.2	24.1	23.1
17		PT	kW	31.3	30.2	29.1	27.9	26.8	25.7	24.6
		PA	kW	7.9	8.3	8.8	9.3	9.8	10.3	10.8
	21	PS	kW	16.4	16.7	17.1	17.5	17.8	18.2	18.5
	23			18.9	19.3	19.7	20.1	20.5	20.9	21.3
	25			21.3	21.8	22.3	22.7	23.2	23.6	24.1
	27			23.8	24.3	24.8	25.4	26.8	25.7	24.6
	29			29.9	29.9	29.1	27.9	26.8	25.7	24.6
	31			31.1	30.2	29.1	27.9	26.8	25.7	24.6
19		PT	kW	33.1	32.0	30.8	29.7	28.5	27.3	26.2
		PA	kW	8.0	8.5	9.0	9.5	10.0	10.4	10.9
	21	PS	kW	12.8	13.1	13.4	13.7	14.0	14.2	14.5
	23			15.5	15.8	16.1	16.5	16.8	17.1	17.5
	25			18.1	18.5	18.9	19.3	19.7	20.0	20.4
	27			20.7	21.2	21.6	22.1	22.5	23.0	23.4
	29			23.3	23.8	24.3	24.8	25.4	25.9	26.2
	31			25.9	26.5	27.1	29.7	28.5	27.3	26.2
21		PT	kW	35.1	33.9	32.6	31.4	30.2	29.0	27.8
		PA	kW	8.3	8.8	9.3	9.9	10.4	10.9	11.4
	23	PS	kW	11.5	11.8	12.0	12.3	12.5	12.8	13.0
	25			14.3	14.6	14.9	15.3	15.6	15.9	16.2
	27			17.1	17.5	17.8	18.2	18.6	19.0	19.3
	29			19.9	20.3	20.7	21.2	21.6	22.0	22.5
	31			22.7	23.2	23.6	24.1	24.6	25.1	25.6
	33			25.4	26.0	26.5	27.1	27.7	28.2	29.1
23		PT	kW	37.0	35.8	34.5	33.2	32.0	30.7	29.4
		PA	kW	8.7	9.3	9.8	10.3	10.8	11.4	11.9
	25	PS	kW	10.0	10.2	10.4	10.7	10.9	11.1	11.3
	27			13.0	13.2	13.5	13.8	14.1	14.4	14.6
	29			15.9	16.2	16.6	16.9	17.3	17.6	18.0
	31			18.8	19.2	19.7	20.1	20.5	20.9	21.3
	33			21.8	22.2	22.7	23.2	23.7	24.1	24.6

BS : Dry bulb temperature (°C)  
 BH : Wet bulb temperature (°C)  
 PT : Total cooling capacity (kW)  
 PA : Power input without indoor fan (kW)  
 PS : Sensible cooling capacity (kW)

# Cooling Capacity Data

## DK/DN 405M

Nominal air flow 7560 m<sup>3</sup>/h

Air temperature at evaporator inlet (°C)				Air temperature at condenser inlet (°C)						
BH	BS			15	20	25	30	35	40	45
15		PT	kW	37.2	35.9	34.5	33.2	31.8	30.5	29.1
		PA	kW	9.7	10.3	10.9	11.5	12.1	12.7	13.3
	21	PS	kW	17.4	17.8	18.2	18.6	19.0	19.3	19.7
	23			20.4	20.8	21.3	21.7	22.1	22.6	23.0
	25			23.3	23.8	24.3	24.8	25.3	25.8	26.3
	27			26.2	26.8	27.4	27.9	28.5	29.1	29.1
	29			29.1	29.8	30.5	31.2	31.8	32.5	33.1
	31			32.4	33.1	33.8	34.5	35.2	35.9	36.6
17		PT	kW	39.5	38.1	36.7	35.3	33.9	32.5	31.1
		PA	kW	9.8	10.4	11.0	11.6	12.2	12.8	13.4
	21	PS	kW	15.6	15.9	16.3	16.6	17.0	17.3	17.6
	23			18.7	19.1	19.5	19.9	20.3	20.8	21.2
	25			21.8	22.3	22.8	23.3	23.7	24.2	24.7
	27			25.0	25.5	26.0	26.6	27.1	27.7	28.2
	29			28.1	28.7	29.3	29.9	30.5	31.1	31.1
	31			31.2	31.9	32.6	33.3	33.9	34.6	35.3
19		PT	kW	41.8	40.4	38.9	37.5	36.0	34.5	33.1
		PA	kW	9.9	10.5	11.2	11.8	12.4	13.0	13.6
	21	PS	kW	10.9	11.2	11.4	11.7	11.9	12.1	12.4
	23			14.3	14.6	14.9	15.2	15.5	15.8	16.1
	25			17.6	18.0	18.3	18.7	19.1	19.5	19.9
	27			20.9	21.3	21.8	22.2	22.7	23.2	23.6
	29			24.2	24.7	25.2	25.8	26.3	26.8	27.4
	31			27.5	28.1	28.7	29.3	29.9	30.5	31.1
21		PT	kW	44.3	42.8	41.2	39.7	38.2	36.6	35.1
		PA	kW	10.4	11.0	11.6	12.3	12.9	13.6	14.2
	23	PS	kW	9.2	9.4	9.6	9.8	10.0	10.2	10.4
	25			12.7	13.0	13.2	13.5	13.8	14.1	14.3
	27			16.2	16.5	16.9	17.2	17.6	18.0	18.3
	29			19.7	20.1	20.6	21.0	21.4	21.8	22.3
	31			23.2	23.7	24.2	24.7	25.2	25.7	26.2
	33			26.7	27.3	27.9	28.5	29.1	29.6	30.2
23		PT	kW	46.8	45.2	43.6	42.0	40.4	38.8	37.2
		PA	kW	10.9	11.5	12.2	12.9	13.5	14.2	14.8
	25	PS	kW	7.1	7.3	7.4	7.6	7.7	7.9	8.0
	27			10.8	11.1	11.3	11.5	11.8	12.0	12.2
	29			14.5	14.9	15.2	15.5	15.8	16.1	16.4
	31			18.3	18.6	19.0	19.4	19.8	20.2	20.6
	33			22.0	22.4	22.9	23.4	23.9	24.4	24.8

BS : Dry bulb temperature (°C)  
 BH : Wet bulb temperature (°C)  
 PT : Total cooling capacity (kW)  
 PA : Power input without indoor fan (kW)  
 PS : Sensible cooling capacity (kW)

## DK/DN 405

Nominal air flow 7560 m<sup>3</sup>/h

Air temperature at evaporator inlet (°C)				Air temperature at condenser inlet (°C)						
BH	BS			15	20	25	30	35	40	45
15		PT	kW	38.8	37.4	36.0	34.5	33.1	31.7	30.3
		PA	kW	10.1	10.7	11.3	11.9	12.5	13.1	13.8
	21	PS	kW	22.5	23.0	23.4	23.9	24.4	24.9	25.4
	23			25.5	26.1	26.6	27.2	27.7	28.3	28.8
	25			28.6	29.2	29.8	30.4	31.1	31.7	30.3
	27			31.7	32.4	33.0	33.7	34.4	35.1	35.8
	29			34.8	35.5	36.2	36.9	37.6	38.3	39.0
	31			37.9	38.6	39.3	40.0	40.7	41.4	42.1
17		PT	kW	41.2	39.7	38.2	36.8	35.3	33.8	32.4
		PA	kW	10.2	10.8	11.4	12.0	12.7	13.3	13.9
	21	PS	kW	21.3	21.7	22.2	22.6	23.1	23.6	24.0
	23			24.5	25.0	25.6	26.1	26.6	27.2	27.7
	25			27.8	28.4	29.0	29.6	30.2	30.8	31.4
	27			31.0	31.7	32.3	33.0	33.7	34.4	35.1
	29			34.3	35.0	35.7	36.4	37.1	37.8	38.5
	31			37.6	38.3	39.0	39.7	40.4	41.1	41.8
19		PT	kW	43.6	42.1	40.5	39.0	37.5	36.0	34.5
		PA	kW	10.3	10.9	11.6	12.2	12.9	13.5	14.2
	21	PS	kW	16.6	16.9	17.3	17.6	18.0	18.4	18.7
	23			20.0	20.4	20.9	21.3	21.8	22.2	22.6
	25			23.5	24.0	24.5	25.0	25.5	26.0	26.5
	27			26.9	27.5	28.1	28.7	29.3	29.8	30.4
	29			30.4	31.0	31.7	32.3	33.0	33.7	34.3
	31			33.8	34.5	35.3	36.0	36.7	37.5	38.2
21		PT	kW	46.1	44.5	43.0	41.4	39.8	38.2	36.6
		PA	kW	10.8	11.4	12.1	12.7	13.4	14.1	14.7
	23	PS	kW	14.8	15.2	15.5	15.8	16.1	16.5	16.8
	25			18.5	18.9	19.3	19.7	20.1	20.5	20.9
	27			22.2	22.6	23.1	23.6	24.1	24.6	25.1
	29			25.8	26.4	26.9	27.5	28.1	28.6	29.2
	31			29.5	30.1	30.8	31.4	32.0	32.7	33.3
	33			33.1	33.9	34.6	35.3	36.0	36.7	37.5
23		PT	kW	48.7	47.1	45.4	43.7	42.1	40.4	38.7
		PA	kW	11.3	12.0	12.7	13.3	14.0	14.7	15.4
	25	PS	kW	12.8	13.1	13.4	13.7	13.9	14.2	14.5
	27			16.7	17.1	17.4	17.8	18.2	18.5	18.9
	29			20.6	21.0	21.5	21.9	22.4	22.8	23.3
	31			24.4	25.0	25.5	26.0	26.6	27.1	27.6
	33			28.3	28.9	29.5	30.2	30.8	31.4	32.0

BS : Dry bulb temperature (°C)  
 BH : Wet bulb temperature (°C)  
 PT : Total cooling capacity (kW)  
 PA : Power input without indoor fan (kW)  
 PS : Sensible cooling capacity (kW)

# Cooling Capacity Data

## DK/DN 505

Nominal air flow 9360 m<sup>3</sup>/h

Air temperature at evaporator inlet (°C)				Air temperature at condenser inlet (°C)						
BH	BS			15	20	25	30	35	40	45
15		PT	kW	45.5	43.8	42.2	40.5	38.9	37.2	35.6
		PA	kW	11.4	12.0	12.7	13.4	14.1	14.8	15.5
	21	PS	kW	28.1	28.7	29.3	29.9	30.5	31.1	31.7
	23			31.6	32.3	33.0	33.7	34.4	35.1	35.6
	25			35.2	36.0	36.7	40.5	38.9	37.2	35.6
	27			44.3	43.8	42.2	40.5	38.9	37.2	35.6
	29			45.5	43.8	42.2	40.5	38.9	37.2	35.6
	31			45.5	43.8	42.2	40.5	38.9	37.2	35.6
17		PT	kW	48.3	46.6	44.9	43.1	41.4	39.7	38.0
		PA	kW	11.4	12.1	12.8	13.5	14.2	14.9	15.7
	21	PS	kW	26.9	27.5	28.1	28.7	29.2	29.8	30.4
	23			30.7	31.4	32.0	32.7	33.4	34.1	34.7
	25			34.5	35.3	36.0	36.8	37.5	38.3	38.0
	27			38.3	39.2	43.8	43.1	41.4	39.7	38.0
	29			46.1	46.1	44.9	43.1	41.4	39.7	38.0
	31			48.0	46.6	44.9	43.1	41.4	39.7	38.0
19		PT	kW	51.1	49.3	47.6	45.8	44.0	42.2	40.4
		PA	kW	11.6	12.3	13.0	13.8	14.5	15.2	15.9
	21	PS	kW	21.5	21.9	22.4	22.9	23.3	23.8	24.3
	23			25.5	26.1	26.6	27.2	27.7	28.3	28.8
	25			29.6	30.2	30.8	31.5	32.1	32.8	33.4
	27			33.6	34.3	35.1	35.8	36.5	37.3	38.0
	29			37.6	38.5	39.3	40.1	40.9	41.7	40.4
	31			41.7	48.0	47.5	45.8	44.0	42.2	40.4
21		PT	kW	54.1	52.3	50.4	48.5	46.7	44.8	42.9
		PA	kW	12.1	12.8	13.6	14.3	15.1	15.8	16.6
	23	PS	kW	19.5	19.9	20.3	20.8	21.2	21.6	22.0
	25			23.8	24.3	24.8	25.3	25.9	26.4	26.9
	27			28.1	28.7	29.3	29.9	30.5	31.1	31.7
	29			32.4	33.1	33.8	34.5	35.2	35.9	36.6
	31			36.7	37.5	38.3	39.1	39.9	40.7	41.5
	33			41.0	41.9	42.7	43.6	47.7	46.4	45.0
23		PT	kW	57.2	55.2	53.3	51.3	49.3	47.4	45.4
		PA	kW	12.7	13.5	14.2	15.0	15.8	16.5	17.3
	25	PS	kW	17.2	17.6	17.9	18.3	18.7	19.1	19.4
	27			21.7	22.2	22.7	23.1	23.6	24.1	24.6
	29			26.3	26.8	27.4	28.0	28.5	29.1	29.7
	31			30.8	31.5	32.1	32.8	33.5	34.1	34.8
	33			35.3	36.1	36.9	37.6	38.4	39.2	40.0

BS : Dry bulb temperature (°C)  
 BH : Wet bulb temperature (°C)  
 PT : Total cooling capacity (kW)  
 PA : Power input without indoor fan (kW)  
 PS : Sensible cooling capacity (kW)

## DK/DN 605

Nominal air flow 9720 m<sup>3</sup>/h

Air temperature at evaporator inlet (°C)				Air temperature at condenser inlet (°C)						
BH	BS			15	20	25	30	35	40	45
15		PT	kW	57.9	55.8	53.7	51.6	49.5	47.4	45.3
		PA	kW	15.9	16.9	17.8	18.8	19.8	20.7	21.7
	21	PS	kW	32.7	33.4	34.2	34.9	35.6	36.3	37.0
	23			37.3	38.1	38.9	39.7	40.5	41.3	42.1
	25			41.8	42.7	43.7	44.6	45.5	46.4	45.3
	27			46.4	55.8	53.7	51.6	49.5	47.4	45.3
	29			57.9	55.8	53.7	51.6	49.5	47.4	45.3
	31			57.9	55.8	53.7	51.6	49.5	47.4	45.3
17		PT	kW	61.5	59.3	57.1	54.9	52.7	50.5	48.4
		PA	kW	16.0	17.0	18.0	19.0	20.0	21.0	21.9
	21	PS	kW	30.8	31.4	32.1	32.8	33.4	34.1	34.8
	23			35.6	36.4	37.2	37.9	38.7	39.5	40.3
	25			40.5	41.4	42.2	43.1	44.0	44.9	45.8
	27			45.3	46.3	47.3	48.3	49.3	50.5	48.4
	29			58.7	58.7	57.1	54.9	52.7	50.5	48.4
	31			61.0	59.3	57.1	54.9	52.7	50.5	48.4
19		PT	kW	65.1	62.8	60.5	58.3	56.0	53.7	51.5
		PA	kW	16.2	17.3	18.3	19.3	20.3	21.3	22.3
	21	PS	kW	23.7	24.3	24.8	25.3	25.8	26.3	26.8
	23			28.9	29.5	30.1	30.8	31.4	32.0	32.7
	25			34.0	34.8	35.5	36.3	37.0	37.7	38.5
	27			39.2	40.0	40.9	41.7	42.6	43.5	44.3
	29			44.3	45.3	46.3	47.2	48.2	49.2	50.1
	31			49.5	50.6	51.6	52.7	56.0	53.7	51.5
21		PT	kW	68.9	66.5	64.1	61.8	59.4	57.0	54.6
		PA	kW	17.0	18.0	19.1	20.1	21.1	22.2	23.2
	23	PS	kW	21.2	21.6	22.1	22.5	23.0	23.4	23.9
	25			26.6	27.2	27.8	28.3	28.9	29.5	30.1
	27			32.1	32.8	33.5	34.2	34.9	35.6	36.3
	29			37.5	38.4	39.2	40.0	40.8	41.6	42.4
	31			43.0	43.9	44.9	45.8	46.7	47.7	48.6
	33			48.5	49.5	50.6	51.6	52.7	53.7	54.8
23		PT	kW	72.8	70.3	67.8	65.3	62.8	60.3	57.8
		PA	kW	17.8	18.9	20.0	21.0	22.1	23.2	24.3
	25	PS	kW	18.1	18.5	18.9	19.3	19.7	20.1	20.5
	27			23.9	24.4	24.9	25.4	26.0	26.5	27.0
	29			29.7	30.3	31.0	31.6	32.2	32.9	33.5
	31			35.4	36.2	37.0	37.8	38.5	39.3	40.1
	33			41.2	42.1	43.0	43.9	44.8	45.7	46.6

BS : Dry bulb temperature (°C)  
 BH : Wet bulb temperature (°C)  
 PT : Total cooling capacity (kW)  
 PA : Power input without indoor fan (kW)  
 PS : Sensible cooling capacity (kW)

# Cooling Capacity Data

## DK/DN 755

Nominal air flow 12000 m<sup>3</sup>/h

Air temperature at evaporator inlet (°C)				Air temperature at condenser inlet (°C)						
BH	BS			15	20	25	30	35	40	45
15		PT	kW	71.4	68.8	66.3	63.7	61.1	58.5	55.9
		PA	kW	18.0	19.0	20.1	21.2	22.3	23.4	24.5
	21	PS	kW	40.9	41.8	42.6	43.5	44.4	45.3	46.2
	23			46.5	47.5	48.5	49.5	50.5	51.5	52.6
	25			52.1	53.2	54.4	55.5	56.6	57.8	55.9
	27			57.7	68.8	66.3	63.7	61.1	58.5	55.9
	29			71.4	68.8	66.3	63.7	61.1	58.5	55.9
	31			71.4	68.8	66.3	63.7	61.1	58.5	55.9
17		PT	kW	75.8	73.2	70.5	67.8	65.1	62.4	59.7
		PA	kW	18.1	19.2	20.3	21.4	22.5	23.6	24.8
	21	PS	kW	38.5	39.4	40.2	41.1	41.9	42.7	43.6
	23			44.5	45.5	46.5	47.4	48.4	49.4	50.3
	25			50.5	51.6	52.7	53.8	54.9	56.0	57.1
	27			56.5	57.7	59.0	60.2	61.4	62.4	59.7
	29			72.4	72.4	70.5	67.8	65.1	62.4	59.7
	31			75.3	73.2	70.5	67.8	65.1	62.4	59.7
19		PT	kW	80.3	77.5	74.7	71.9	69.1	66.3	63.5
		PA	kW	18.3	19.5	20.6	21.8	22.9	24.0	25.2
	21	PS	kW	29.9	30.5	31.2	31.8	32.5	33.1	33.8
	23			36.2	37.0	37.8	38.6	39.4	40.2	41.0
	25			42.6	43.5	44.4	45.4	46.3	47.2	48.1
	27			48.9	50.0	51.1	52.1	53.2	54.3	55.3
	29			55.3	56.5	57.7	58.9	60.1	61.3	62.5
	31			61.7	63.0	64.3	71.9	69.1	66.3	63.5
21		PT	kW	85.0	82.1	79.2	76.2	73.3	70.3	67.4
		PA	kW	19.1	20.3	21.5	22.7	23.9	25.0	26.2
	23	PS	kW	26.7	27.3	27.9	28.4	29.0	29.6	30.2
	25			33.4	34.2	34.9	35.6	36.3	37.1	37.8
	27			40.2	41.1	41.9	42.8	43.7	44.5	45.4
	29			46.9	47.9	49.0	50.0	51.0	52.0	53.0
	31			53.7	54.8	56.0	57.2	58.3	59.5	60.7
	33			60.4	61.7	63.0	64.3	65.7	67.0	68.3
23		PT	kW	89.8	86.7	83.6	80.6	77.5	74.4	71.3
		PA	kW	20.1	21.3	22.5	23.7	25.0	26.2	27.4
	25	PS	kW	23.0	23.5	24.0	24.5	25.0	25.5	26.0
	27			30.1	30.7	31.4	32.1	32.7	33.4	34.0
	29			37.2	38.0	38.8	39.7	40.5	41.3	42.1
	31			44.4	45.3	46.3	47.2	48.2	49.2	50.1
	33			51.5	52.6	53.7	54.8	56.0	57.1	58.2

BS : Dry bulb temperature (°C)  
 BH : Wet bulb temperature (°C)  
 PT : Total cooling capacity (kW)  
 PA : Power input without indoor fan (kW)  
 PS : Sensible cooling capacity (kW)

## DK/DN 905

Nominal air flow 14300 m<sup>3</sup>/h

Air temperature at evaporator inlet (°C)				Air temperature at condenser inlet (°C)						
BH	BS			15	20	25	30	35	40	45
15		PT	kW	85.8	82.7	79.6	76.5	73.4	70.2	67.1
		PA	kW	21.6	22.9	24.2	25.5	26.8	28.1	29.4
	21	PS	kW	49.2	50.2	51.3	52.4	53.4	54.5	55.6
	23			55.9	57.1	58.3	59.6	60.8	62.0	63.2
	25			62.7	64.0	65.4	66.8	68.1	69.5	67.1
	27			69.4	82.7	79.6	76.5	73.4	70.2	67.1
	29			85.8	82.7	79.6	76.5	73.4	70.2	67.1
	31			85.8	82.7	79.6	76.5	73.4	70.2	67.1
17		PT	kW	91.1	87.9	84.6	81.4	78.2	74.9	71.7
		PA	kW	21.7	23.1	24.4	25.7	27.1	28.4	29.7
	21	PS	kW	46.4	47.4	48.4	49.4	50.4	51.4	52.4
	23			53.6	54.7	55.9	57.1	58.2	59.4	60.6
	25			60.8	62.1	63.4	64.7	66.0	67.4	68.7
	27			67.9	69.4	70.9	72.4	73.9	74.9	71.7
	29			87.0	87.0	84.6	81.4	78.2	74.9	71.7
	31			90.5	87.9	84.6	81.4	78.2	74.9	71.7
19		PT	kW	96.4	93.1	89.7	86.4	83.0	79.6	76.3
		PA	kW	22.0	23.4	24.8	26.1	27.5	28.9	30.3
	21	PS	kW	36.0	36.8	37.5	38.3	39.1	39.9	40.7
	23			43.6	44.6	45.5	46.5	47.4	48.3	49.3
	25			51.2	52.4	53.5	54.6	55.7	56.8	57.9
	27			58.9	60.2	61.4	62.7	64.0	65.3	66.6
	29			66.5	68.0	69.4	70.9	72.3	73.7	75.2
	31			74.2	75.8	77.4	86.4	83.0	79.6	76.3
21		PT	kW	102.1	98.6	95.1	91.5	88.0	84.5	81.0
		PA	kW	23.0	24.4	25.8	27.2	28.6	30.1	31.5
	23	PS	kW	32.2	32.9	33.6	34.3	35.0	35.7	36.4
	25			40.3	41.1	42.0	42.9	43.8	44.6	45.5
	27			48.4	49.4	50.5	51.5	52.6	53.6	54.7
	29			56.5	57.7	58.9	60.1	61.4	62.6	63.8
	31			64.6	66.0	67.4	68.8	70.2	71.6	73.0
	33			72.6	74.2	75.8	77.4	79.0	80.5	82.1
23		PT	kW	107.9	104.2	100.5	96.8	93.1	89.4	85.7
		PA	kW	24.1	25.6	27.0	28.5	30.0	31.4	32.9
	25	PS	kW	27.7	28.3	28.9	29.5	30.1	30.7	31.3
	27			36.2	37.0	37.8	38.6	39.4	40.2	41.0
	29			44.8	45.8	46.8	47.7	48.7	49.7	50.7
	31			53.4	54.5	55.7	56.9	58.0	59.2	60.3
	33			61.9	63.3	64.6	66.0	67.3	68.7	70.0

BS : Dry bulb temperature (°C)  
 BH : Wet bulb temperature (°C)  
 PT : Total cooling capacity (kW)  
 PA : Power input without indoor fan (kW)  
 PS : Sensible cooling capacity (kW)

# Heating Capacity Data

## DK/DN 125, 125V

Nominal air flow 2100 m<sup>3</sup>/h

Air temperature at evaporator inlet (°C)		Air temperature at condenser inlet (°C)							
		18		20		22		24	
BS	BH	PC (kW)	PA (kW)	PC (kW)	PA (kW)	PC (kW)	PA (kW)	PC (kW)	PA (kW)
-7	-8	8.5	3.1	8.3	3.2	8.1	3.2	7.8	3.3
-6	-7	8.7	3.2	8.5	3.2	8.3	3.3	8.0	3.3
-5	-6	8.9	3.2	8.7	3.3	8.5	3.4	8.2	3.4
-4	-5	9.1	3.3	9.0	3.3	8.7	3.4	8.4	3.5
-3	-4	9.4	3.3	9.2	3.4	8.9	3.5	8.6	3.5
-2	-3	9.6	3.4	9.4	3.5	9.2	3.5	8.9	3.6
-1	-2	9.9	3.5	9.7	3.5	9.4	3.6	9.1	3.7
0	-1	10.2	3.5	10.0	3.6	9.7	3.7	9.4	3.7
1	0	10.5	3.6	10.3	3.7	10.0	3.7	9.6	3.8
2	1	10.8	3.7	10.6	3.7	10.3	3.8	9.9	3.9
3	2	11.1	3.7	10.9	3.8	10.6	3.9	10.2	3.9
4	3	11.4	3.8	11.2	3.9	10.9	4.0	10.6	4.0
5	4	11.8	3.9	11.6	4.0	11.3	4.0	10.9	4.1
6	5	12.2	4.0	11.9	4.0	11.6	4.1	11.2	4.2
7	6	12.6	4.0	12.4	4.2	12.0	4.2	11.6	4.3
8	7	13.0	4.1	12.7	4.2	12.4	4.3	12.0	4.3
9	8	13.4	4.2	13.1	4.3	12.8	4.4	12.3	4.4
10	9	13.8	4.3	13.6	4.4	13.2	4.5	12.7	4.5
11	10	14.3	4.3	14.0	4.5	13.6	4.5	13.2	4.6
12	11	14.8	4.4	14.5	4.6	14.1	4.6	13.6	4.7
13	12	15.2	4.5	14.9	4.6	14.5	4.7	14.0	4.8
14	13	15.7	4.6	15.4	4.7	15.0	4.8	14.5	4.9
15	14	16.3	4.7	15.9	4.8	15.5	4.9	14.9	5.0
16	15	16.8	4.8	16.5	4.9	16.0	5.0	15.4	5.1
17	16	17.3	4.9	17.0	5.0	16.5	5.1	15.9	5.2
18	17	17.9	5.0	17.5	5.1	17.0	5.2	16.4	5.3
19	18	18.5	5.1	18.1	5.2	17.6	5.4	16.9	5.4
20	19	19.1	5.1	18.7	5.4	18.2	5.5	17.5	5.5

BS : Dry bulb temperature (°C)  
 BH : Wet bulb temperature (°C)  
 PC : Heating capacity (kW)  
 PA : Power input without indoor fan (kW)

## DK/DN 155, 155V

Nominal air flow 2850 m<sup>3</sup>/h

Air temperature at evaporator inlet (°C)		Air temperature at condenser inlet (°C)							
		18		20		22		24	
BS	BH	PC (kW)	PA (kW)	PC (kW)	PA (kW)	PC (kW)	PA (kW)	PC (kW)	PA (kW)
-7	-8	10.8	3.9	10.6	3.9	10.3	4.0	9.9	4.1
-6	-7	11.0	3.9	10.8	4.0	10.5	4.1	10.1	4.2
-5	-6	11.3	4.0	11.1	4.1	10.8	4.2	10.4	4.2
-4	-5	11.6	4.1	11.3	4.2	11.0	4.2	10.6	4.3
-3	-4	11.9	4.1	11.6	4.2	11.3	4.3	10.9	4.4
-2	-3	12.2	4.2	11.9	4.3	11.6	4.4	11.2	4.5
-1	-2	12.5	4.3	12.3	4.4	11.9	4.5	11.5	4.5
0	-1	12.9	4.4	12.6	4.5	12.3	4.5	11.9	4.6
1	0	13.2	4.5	13.0	4.6	12.6	4.6	12.2	4.7
2	1	13.6	4.6	13.4	4.6	13.0	4.7	12.6	4.8
3	2	14.1	4.6	13.8	4.7	13.4	4.8	13.0	4.9
4	3	14.5	4.7	14.2	4.8	13.8	4.9	13.4	5.0
5	4	15.0	4.8	14.7	4.9	14.3	5.0	13.8	5.1
6	5	15.4	4.9	15.1	5.0	14.7	5.1	14.2	5.2
7	6	15.9	5.0	15.7	5.2	15.2	5.2	14.7	5.3
8	7	16.4	5.1	16.1	5.2	15.7	5.3	15.1	5.4
9	8	17.0	5.2	16.6	5.3	16.2	5.4	15.6	5.5
10	9	17.5	5.3	17.2	5.4	16.7	5.5	16.1	5.6
11	10	18.1	5.4	17.7	5.5	17.3	5.6	16.7	5.7
12	11	18.7	5.5	18.3	5.7	17.8	5.8	17.2	5.8
13	12	19.3	5.6	18.9	5.8	18.4	5.9	17.7	5.9
14	13	19.9	5.7	19.5	5.9	19.0	6.0	18.3	6.1
15	14	20.6	5.8	20.2	6.0	19.6	6.1	18.9	6.2
16	15	21.3	5.9	20.8	6.1	20.3	6.2	19.5	6.3
17	16	21.9	6.0	21.5	6.3	20.9	6.4	20.1	6.4
18	17	22.7	6.2	22.2	6.4	21.6	6.5	20.8	6.6
19	18	23.4	6.3	22.9	6.5	22.3	6.6	21.5	6.7
20	19	24.1	6.4	23.7	6.6	23.0	6.8	22.1	6.8

BS : Dry bulb temperature (°C)  
 BH : Wet bulb temperature (°C)  
 PC : Heating capacity (kW)  
 PA : Power input without indoor fan (kW)

# Heating Capacity Data

## DK/DN 185

Nominal air flow 3500 m<sup>3</sup>/h

Air temperature at evaporator inlet (°C)		Air temperature at condenser inlet (°C)							
		18		20		22		24	
BS	BH	PC (kW)	PA (kW)	PC (kW)	PA (kW)	PC (kW)	PA (kW)	PC (kW)	PA (kW)
-7	-8	12.4	4.0	12.1	4.1	11.8	4.1	11.4	4.2
-6	-7	12.6	4.0	12.4	4.1	12.0	4.2	11.6	4.3
-5	-6	12.9	4.1	12.7	4.2	12.3	4.3	11.9	4.3
-4	-5	13.3	4.2	13.0	4.3	12.6	4.4	12.2	4.4
-3	-4	13.6	4.3	13.3	4.4	13.0	4.4	12.5	4.5
-2	-3	14.0	4.3	13.7	4.4	13.3	4.5	12.9	4.6
-1	-2	14.3	4.4	14.1	4.5	13.7	4.6	13.2	4.7
0	-1	14.8	4.5	14.5	4.6	14.1	4.7	13.6	4.8
1	0	15.2	4.6	14.9	4.7	14.5	4.8	14.0	4.8
2	1	15.6	4.7	15.3	4.8	14.9	4.9	14.4	4.9
3	2	16.1	4.8	15.8	4.9	15.4	5.0	14.9	5.0
4	3	16.6	4.9	16.3	5.0	15.9	5.1	15.3	5.1
5	4	17.1	5.0	16.8	5.1	16.4	5.2	15.8	5.2
6	5	17.7	5.1	17.3	5.2	16.9	5.3	16.3	5.3
7	6	18.3	5.1	<b>18.0</b>	<b>5.3</b>	17.4	5.4	16.8	5.4
8	7	18.8	5.2	18.5	5.4	18.0	5.5	17.4	5.5
9	8	19.5	5.3	19.1	5.5	18.6	5.6	17.9	5.6
10	9	20.1	5.5	19.7	5.6	19.2	5.7	18.5	5.8
11	10	20.7	5.6	20.3	5.7	19.8	5.8	19.1	5.9
12	11	21.4	5.7	21.0	5.8	20.4	5.9	19.7	6.0
13	12	22.1	5.8	21.7	5.9	21.1	6.0	20.3	6.1
14	13	22.9	5.9	22.4	6.1	21.8	6.2	21.0	6.2
15	14	23.6	6.0	23.1	6.2	22.5	6.3	21.7	6.4
16	15	24.4	6.1	23.9	6.3	23.2	6.4	22.4	6.5
17	16	25.2	6.2	24.7	6.4	24.0	6.6	23.1	6.6
18	17	26.0	6.3	25.5	6.6	24.7	6.7	23.8	6.7
19	18	26.8	6.5	26.3	6.7	25.5	6.8	24.6	6.9
20	19	27.7	6.6	27.1	6.8	26.4	7.0	25.4	7.0

**BS** : Dry bulb temperature (°C)  
**BH** : Wet bulb temperature (°C)  
**PC** : Heating capacity (kW)  
**PA** : Power input without indoor fan (kW)

## DK/DN 205

Nominal air flow 4500 m<sup>3</sup>/h

Air temperature at evaporator inlet (°C)		Air temperature at condenser inlet (°C)							
		18		20		22		24	
BS	BH	PC (kW)	PA (kW)	PC (kW)	PA (kW)	PC (kW)	PA (kW)	PC (kW)	PA (kW)
-7	-8	12.6	4.2	12.3	4.3	12.0	4.4	11.5	4.4
-6	-7	12.8	4.3	12.6	4.4	12.3	4.4	11.8	4.5
-5	-6	13.1	4.3	12.9	4.4	12.5	4.5	12.1	4.6
-4	-5	13.5	4.4	13.2	4.5	12.9	4.6	12.4	4.7
-3	-4	13.8	4.5	13.6	4.6	13.2	4.7	12.7	4.8
-2	-3	14.2	4.6	13.9	4.7	13.5	4.8	13.1	4.8
-1	-2	14.6	4.7	14.3	4.8	13.9	4.9	13.4	4.9
0	-1	15.0	4.8	14.7	4.9	14.3	4.9	13.8	5.0
1	0	15.4	4.9	15.1	5.0	14.7	5.0	14.2	5.1
2	1	15.9	5.0	15.6	5.0	15.2	5.1	14.7	5.2
3	2	16.4	5.0	16.1	5.1	15.6	5.2	15.1	5.3
4	3	16.9	5.1	16.6	5.2	16.1	5.3	15.6	5.4
5	4	17.4	5.2	17.1	5.3	16.6	5.4	16.1	5.5
6	5	18.0	5.3	17.6	5.5	17.2	5.6	16.6	5.6
7	6	18.6	5.4	<b>18.3</b>	<b>5.6</b>	17.7	5.7	17.1	5.7
8	7	19.2	5.5	18.8	5.7	18.3	5.8	17.6	5.9
9	8	19.8	5.7	19.4	5.8	18.9	5.9	18.2	6.0
10	9	20.4	5.8	20.0	5.9	19.5	6.0	18.8	6.1
11	10	21.1	5.9	20.7	6.0	20.1	6.1	19.4	6.2
12	11	21.8	6.0	21.4	6.1	20.8	6.3	20.0	6.3
13	12	22.5	6.1	22.1	6.3	21.4	6.4	20.7	6.5
14	13	23.2	6.2	22.8	6.4	22.1	6.5	21.4	6.6
15	14	24.0	6.3	23.5	6.5	22.9	6.7	22.0	6.7
16	15	24.8	6.4	24.3	6.7	23.6	6.8	22.8	6.8
17	16	25.6	6.6	25.1	6.8	24.4	6.9	23.5	7.0
18	17	26.4	6.7	25.9	6.9	25.2	7.1	24.2	7.1
19	18	27.3	6.8	26.7	7.1	26.0	7.2	25.0	7.3
20	19	28.1	6.9	27.6	7.2	26.8	7.4	25.8	7.4

**BS** : Dry bulb temperature (°C)  
**BH** : Wet bulb temperature (°C)  
**PC** : Heating capacity (kW)  
**PA** : Power input without indoor fan (kW)

# Heating Capacity Data

## DK/DN 255

Nominal air flow 4680 m<sup>3</sup>/h

Air temperature at evaporator inlet (°C)		Air temperature at condenser inlet (°C)							
		18		20		22		24	
BS	BH	PC (kW)	PA (kW)	PC (kW)	PA (kW)	PC (kW)	PA (kW)	PC (kW)	PA (kW)
-7	-8	14.4	4.4	14.1	4.5	13.7	4.6	13.3	4.7
-6	-7	14.7	4.5	14.5	4.6	14.1	4.7	13.6	4.8
-5	-6	15.1	4.6	14.8	4.7	14.4	4.8	13.9	4.9
-4	-5	15.5	4.7	15.2	4.8	14.8	4.9	14.2	5.0
-3	-4	15.9	4.8	15.6	4.9	15.1	5.0	14.6	5.0
-2	-3	16.3	4.9	16.0	5.0	15.5	5.0	15.0	5.1
-1	-2	16.7	5.0	16.4	5.1	16.0	5.1	15.4	5.2
0	-1	17.2	5.1	16.9	5.1	16.4	5.2	15.9	5.3
1	0	17.7	5.1	17.4	5.2	16.9	5.3	16.3	5.4
2	1	18.2	5.2	17.9	5.3	17.4	5.4	16.8	5.5
3	2	18.8	5.3	18.4	5.4	17.9	5.5	17.3	5.6
4	3	19.4	5.4	19.0	5.6	18.5	5.7	17.9	5.7
5	4	20.0	5.5	19.6	5.7	19.1	5.8	18.4	5.8
6	5	20.6	5.7	20.2	5.8	19.7	5.9	19.0	6.0
7	6	21.3	5.8	<b>21.0</b>	<b>5.9</b>	20.3	6.0	19.6	6.1
8	7	22.0	5.9	21.6	6.0	21.0	6.1	20.2	6.2
9	8	22.7	6.0	22.3	6.1	21.7	6.2	20.9	6.3
10	9	23.4	6.1	23.0	6.3	22.4	6.4	21.6	6.4
11	10	24.2	6.2	23.7	6.4	23.1	6.5	22.3	6.6
12	11	25.0	6.3	24.5	6.5	23.8	6.6	23.0	6.7
13	12	25.8	6.5	25.3	6.6	24.6	6.8	23.7	6.8
14	13	26.7	6.6	26.1	6.8	25.4	6.9	24.5	7.0
15	14	27.5	6.7	27.0	6.9	26.2	7.1	25.3	7.1
16	15	28.4	6.8	27.9	7.1	27.1	7.2	26.1	7.3
17	16	29.4	7.0	28.8	7.2	28.0	7.3	27.0	7.4
18	17	30.3	7.1	29.7	7.3	28.9	7.5	27.8	7.5
19	18	31.3	7.2	30.7	7.5	29.8	7.7	28.7	7.7
20	19	32.3	7.4	31.6	7.6	30.7	7.8	29.6	7.8

**BS** : Dry bulb temperature (°C)  
**BH** : Wet bulb temperature (°C)  
**PC** : Heating capacity (kW)  
**PA** : Power input without indoor fan (kW)

## DK/DN 305

Nominal air flow 5760 m<sup>3</sup>/h

Air temperature at evaporator inlet (°C)		Air temperature at condenser inlet (°C)							
		18		20		22		24	
BS	BH	PC (kW)	PA (kW)	PC (kW)	PA (kW)	PC (kW)	PA (kW)	PC (kW)	PA (kW)
-7	-8	18.8	5.8	18.4	5.9	17.9	6.1	17.2	6.1
-6	-7	19.2	5.9	18.8	6.0	18.3	6.2	17.6	6.3
-5	-6	19.6	6.0	19.2	6.1	18.7	6.3	18.1	6.4
-4	-5	20.1	6.1	19.7	6.3	19.2	6.4	18.5	6.5
-3	-4	20.6	6.2	20.2	6.4	19.7	6.5	19.0	6.6
-2	-3	21.2	6.4	20.8	6.5	20.2	6.6	19.5	6.7
-1	-2	21.8	6.5	21.3	6.6	20.8	6.7	20.1	6.8
0	-1	22.4	6.6	21.9	6.7	21.4	6.8	20.6	7.0
1	0	23.0	6.7	22.6	6.9	22.0	7.0	21.2	7.1
2	1	23.7	6.9	23.3	7.0	22.6	7.1	21.9	7.2
3	2	24.4	7.0	24.0	7.1	23.3	7.2	22.5	7.4
4	3	25.2	7.1	24.7	7.3	24.1	7.4	23.2	7.5
5	4	26.0	7.3	25.5	7.4	24.8	7.5	24.0	7.6
6	5	26.8	7.4	26.3	7.5	25.6	7.7	24.7	7.8
7	6	27.7	7.5	<b>27.3</b>	<b>7.8</b>	26.4	7.8	25.5	7.9
8	7	28.6	7.7	28.0	7.9	27.3	8.0	26.3	8.1
9	8	29.5	7.8	28.9	8.0	28.1	8.2	27.2	8.3
10	9	30.5	8.0	29.9	8.2	29.1	8.3	28.0	8.4
11	10	31.5	8.1	30.8	8.3	30.0	8.5	29.0	8.6
12	11	32.5	8.3	31.9	8.5	31.0	8.7	29.9	8.8
13	12	33.6	8.4	32.9	8.7	32.0	8.8	30.9	8.9
14	13	34.7	8.6	34.0	8.9	33.0	9.0	31.9	9.1
15	14	35.8	8.8	35.1	9.0	34.1	9.2	32.9	9.3
16	15	37.0	8.9	36.2	9.2	35.2	9.4	33.9	9.5
17	16	38.2	9.1	37.4	9.4	36.4	9.6	35.0	9.7
18	17	39.4	9.3	38.6	9.6	37.5	9.8	36.2	9.9
19	18	40.7	9.4	39.9	9.8	38.7	10.0	37.3	10.1
20	19	42.0	9.6	41.1	10.0	40.0	10.2	38.5	10.3

**BS** : Dry bulb temperature (°C)  
**BH** : Wet bulb temperature (°C)  
**PC** : Heating capacity (kW)  
**PA** : Power input without indoor fan (kW)

# Heating Capacity Data

## DK/DN 405M

Nominal air flow 7560 m<sup>3</sup>/h

Air temperature at evaporator inlet (°C)		Air temperature at condenser inlet (°C)							
		18		20		22		24	
BS	BH	PC (kW)	PA (kW)	PC (kW)	PA (kW)	PC (kW)	PA (kW)	PC (kW)	PA (kW)
-7	-8	24.7	8.8	24.2	9.0	23.6	9.2	22.7	9.4
-6	-7	25.3	9.0	24.8	9.2	24.1	9.4	23.2	9.5
-5	-6	25.9	9.2	25.4	9.4	24.7	9.5	23.8	9.7
-4	-5	26.5	9.3	26.0	9.5	25.3	9.7	24.4	9.9
-3	-4	27.2	9.5	26.7	9.7	25.9	9.9	25.0	10.0
-2	-3	27.9	9.7	27.4	9.9	26.6	10.0	25.7	10.2
-1	-2	28.7	9.9	28.1	10.1	27.4	10.2	26.4	10.4
0	-1	29.5	10.0	28.9	10.2	28.2	10.4	27.2	10.6
1	0	30.4	10.2	29.8	10.4	29.0	10.6	28.0	10.8
2	1	31.3	10.4	30.7	10.6	29.9	10.8	28.8	11.0
3	2	32.2	10.6	31.6	10.8	30.8	11.0	29.7	11.2
4	3	33.2	10.8	32.6	11.1	31.7	11.2	30.6	11.4
5	4	34.3	11.0	33.6	11.3	32.7	11.5	31.6	11.6
6	5	35.4	11.2	34.7	11.5	33.8	11.7	32.6	11.9
7	6	36.5	11.5	<b>36.0</b>	<b>11.8</b>	34.8	11.9	33.6	12.1
8	7	37.7	11.7	36.9	12.0	36.0	12.2	34.7	12.3
9	8	38.9	11.9	38.1	12.2	37.1	12.4	35.8	12.6
10	9	40.2	12.1	39.4	12.4	38.3	12.7	37.0	12.8
11	10	41.5	12.4	40.7	12.7	39.6	12.9	38.2	13.1
12	11	42.9	12.6	42.0	13.0	40.9	13.2	39.4	13.3
13	12	44.3	12.8	43.4	13.2	42.2	13.5	40.7	13.6
14	13	45.7	13.1	44.8	13.5	43.6	13.7	42.0	13.9
15	14	47.2	13.3	46.3	13.8	45.0	14.0	43.4	14.1
16	15	48.7	13.6	47.8	14.0	46.4	14.3	44.8	14.4
17	16	50.3	13.8	49.3	14.3	47.9	14.6	46.2	14.7
18	17	52.0	14.1	50.9	14.6	49.5	14.9	47.7	15.0
19	18	53.6	14.4	52.6	14.9	51.1	15.2	49.2	15.3
20	19	55.4	14.6	54.2	15.2	52.7	15.5	50.7	15.6

**BS** : Dry bulb temperature (°C)  
**BH** : Wet bulb temperature (°C)  
**PC** : Heating capacity (kW)  
**PA** : Power input without indoor fan (kW)

## DK/DN 405

Nominal air flow 7560 m<sup>3</sup>/h

Air temperature at evaporator inlet (°C)		Air temperature at condenser inlet (°C)							
		18		20		22		24	
BS	BH	PC (kW)	PA (kW)	PC (kW)	PA (kW)	PC (kW)	PA (kW)	PC (kW)	PA (kW)
-7	-8	25.1	7.8	24.6	7.9	23.9	8.1	23.0	8.2
-6	-7	25.6	7.9	25.1	8.1	24.4	8.2	23.6	8.4
-5	-6	26.2	8.1	25.7	8.2	25.0	8.4	24.1	8.5
-4	-5	26.9	8.2	26.3	8.4	25.6	8.5	24.7	8.7
-3	-4	27.6	8.4	27.0	8.5	26.3	8.7	25.4	8.8
-2	-3	28.3	8.5	27.8	8.7	27.0	8.8	26.1	9.0
-1	-2	29.1	8.7	28.5	8.8	27.8	9.0	26.8	9.1
0	-1	29.9	8.8	29.3	9.0	28.6	9.2	27.6	9.3
1	0	30.8	9.0	30.2	9.2	29.4	9.3	28.4	9.5
2	1	31.7	9.2	31.1	9.3	30.3	9.5	29.2	9.7
3	2	32.7	9.3	32.0	9.5	31.2	9.7	30.1	9.8
4	3	33.7	9.5	33.0	9.7	32.2	9.9	31.1	10.0
5	4	34.8	9.7	34.1	9.9	33.2	10.1	32.0	10.2
6	5	35.9	9.9	35.2	10.1	34.2	10.3	33.0	10.4
7	6	37.0	10.1	<b>36.5</b>	<b>10.4</b>	35.3	10.5	34.1	10.6
8	7	38.2	10.3	37.5	10.5	36.5	10.7	35.2	10.8
9	8	39.5	10.5	38.7	10.7	37.6	10.9	36.3	11.0
10	9	40.7	10.7	39.9	10.9	38.9	11.1	37.5	11.3
11	10	42.1	10.9	41.2	11.2	40.1	11.4	38.7	11.5
12	11	43.5	11.1	42.6	11.4	41.4	11.6	40.0	11.7
13	12	44.9	11.3	44.0	11.6	42.8	11.8	41.3	12.0
14	13	46.3	11.5	45.4	11.8	44.2	12.1	42.6	12.2
15	14	47.9	11.7	46.9	12.1	45.6	12.3	44.0	12.4
16	15	49.4	11.9	48.4	12.3	47.1	12.6	45.4	12.7
17	16	51.0	12.2	50.0	12.6	48.6	12.8	46.8	12.9
18	17	52.7	12.4	51.6	12.8	50.2	13.1	48.3	13.2
19	18	54.4	12.6	53.3	13.1	51.8	13.4	49.9	13.5
20	19	56.1	12.9	55.0	13.4	53.4	13.7	51.5	13.7

**BS** : Dry bulb temperature (°C)  
**BH** : Wet bulb temperature (°C)  
**PC** : Heating capacity (kW)  
**PA** : Power input without indoor fan (kW)

# Heating Capacity Data

## DK/DN 505

Nominal air flow 9360 m<sup>3</sup>/h

Air temperature at evaporator inlet (°C)		Air temperature at condenser inlet (°C)							
		18		20		22		24	
BS	BH	PC (kW)	PA (kW)	PC (kW)	PA (kW)	PC (kW)	PA (kW)	PC (kW)	PA (kW)
-7	-8	28.8	9.1	28.3	9.3	27.5	9.5	26.5	9.7
-6	-7	29.5	9.3	28.9	9.5	28.1	9.7	27.1	9.8
-5	-6	30.2	9.5	29.6	9.7	28.8	9.8	27.8	10.0
-4	-5	30.9	9.6	30.3	9.8	29.5	10.0	28.5	10.2
-3	-4	31.7	9.8	31.1	10.0	30.3	10.2	29.2	10.3
-2	-3	32.6	10.0	31.9	10.2	31.1	10.4	30.0	10.5
-1	-2	33.5	10.2	32.8	10.4	31.9	10.6	30.9	10.7
0	-1	34.4	10.4	33.8	10.6	32.9	10.8	31.7	10.9
1	0	35.4	10.6	34.7	10.8	33.8	11.0	32.7	11.1
2	1	36.5	10.8	35.8	11.0	34.8	11.2	33.6	11.3
3	2	37.6	11.0	36.9	11.2	35.9	11.4	34.7	11.6
4	3	38.8	11.2	38.0	11.4	37.0	11.6	35.7	11.8
5	4	40.0	11.4	39.2	11.6	38.2	11.8	36.9	12.0
6	5	41.3	11.6	40.5	11.9	39.4	12.1	38.0	12.2
7	6	42.6	11.8	<b>42.0</b>	<b>12.2</b>	40.6	12.3	39.2	12.5
8	7	44.0	12.1	43.1	12.3	41.9	12.6	40.5	12.7
9	8	45.4	12.3	44.5	12.6	43.3	12.8	41.8	13.0
10	9	46.9	12.5	46.0	12.8	44.7	13.1	43.2	13.2
11	10	48.4	12.8	47.5	13.1	46.2	13.3	44.5	13.5
12	11	50.0	13.0	49.0	13.4	47.7	13.6	46.0	13.8
13	12	51.6	13.3	50.6	13.6	49.2	13.9	47.5	14.0
14	13	53.3	13.5	52.3	13.9	50.8	14.2	49.0	14.3
15	14	55.1	13.8	54.0	14.2	52.5	14.5	50.6	14.6
16	15	56.9	14.0	55.7	14.5	54.2	14.8	52.2	14.9
17	16	58.7	14.3	57.5	14.8	55.9	15.1	53.9	15.2
18	17	60.6	14.6	59.4	15.1	57.7	15.4	55.6	15.5
19	18	62.6	14.8	61.3	15.4	59.6	15.7	57.4	15.8
20	19	64.6	15.1	63.3	15.7	61.5	16.0	59.2	16.1

**BS** : Dry bulb temperature (°C)  
**BH** : Wet bulb temperature (°C)  
**PC** : Heating capacity (kW)  
**PA** : Power input without indoor fan (kW)

## DK/DN 605

Nominal air flow 9720 m<sup>3</sup>/h

Air temperature at evaporator inlet (°C)		Air temperature at condenser inlet (°C)							
		18		20		22		24	
BS	BH	PC (kW)	PA (kW)	PC (kW)	PA (kW)	PC (kW)	PA (kW)	PC (kW)	PA (kW)
-7	-8	39.5	15.5	38.7	15.9	37.6	16.2	36.3	16.4
-6	-7	40.4	15.8	39.6	16.1	38.5	16.4	37.1	16.7
-5	-6	41.3	16.1	40.5	16.4	39.4	16.7	38.0	17.0
-4	-5	42.3	16.4	41.5	16.7	40.4	17.0	39.0	17.3
-3	-4	43.4	16.7	42.6	17.0	41.4	17.3	40.0	17.6
-2	-3	44.6	17.0	43.7	17.3	42.6	17.6	41.1	17.9
-1	-2	45.8	17.3	44.9	17.6	43.7	17.9	42.2	18.2
0	-1	47.1	17.6	46.2	18.0	45.0	18.3	43.5	18.6
1	0	48.5	18.0	47.6	18.3	46.3	18.6	44.7	18.9
2	1	50.0	18.3	49.0	18.7	47.7	19.0	46.1	19.3
3	2	51.5	18.6	50.5	19.0	49.1	19.3	47.5	19.6
4	3	53.1	19.0	52.0	19.4	50.7	19.7	48.9	20.0
5	4	54.8	19.4	53.7	19.8	52.3	20.1	50.5	20.4
6	5	56.5	19.7	55.4	20.2	53.9	20.5	52.1	20.8
7	6	58.3	20.1	<b>57.5</b>	<b>20.7</b>	55.6	20.9	53.7	21.2
8	7	60.2	20.5	59.0	21.0	57.4	21.3	55.4	21.6
9	8	62.1	20.9	60.9	21.4	59.3	21.8	57.2	22.1
10	9	64.2	21.3	62.9	21.8	61.2	22.2	59.1	22.5
11	10	66.3	21.7	65.0	22.3	63.2	22.7	61.0	22.9
12	11	68.4	22.1	67.1	22.7	65.3	23.1	63.0	23.4
13	12	70.7	22.5	69.3	23.2	67.4	23.6	65.0	23.9
14	13	73.0	23.0	71.6	23.7	69.6	24.1	67.1	24.3
15	14	75.4	23.4	73.9	24.1	71.9	24.6	69.3	24.8
16	15	77.9	23.8	76.3	24.6	74.2	25.1	71.5	25.3
17	16	80.4	24.3	78.8	25.1	76.6	25.6	73.8	25.8
18	17	83.0	24.7	81.3	25.6	79.1	26.2	76.2	26.3
19	18	85.7	25.2	84.0	26.2	81.6	26.7	78.6	26.9
20	19	88.4	25.7	86.6	26.7	84.2	27.3	81.1	27.4

**BS** : Dry bulb temperature (°C)  
**BH** : Wet bulb temperature (°C)  
**PC** : Heating capacity (kW)  
**PA** : Power input without indoor fan (kW)

# Heating Capacity Data

## DK/DN 755

Nominal air flow 12000 m<sup>3</sup>/h

Air temperature at evaporator inlet (°C)		Air temperature at condenser inlet (°C)							
		18		20		22		24	
BS	BH	PC (kW)	PA (kW)	PC (kW)	PA (kW)	PC (kW)	PA (kW)	PC (kW)	PA (kW)
-7	-8	48.8	16.8	47.8	17.2	46.5	17.5	44.8	17.8
-6	-7	49.8	17.1	48.9	17.5	47.5	17.8	45.8	18.1
-5	-6	51.0	17.4	50.0	17.8	48.7	18.1	46.9	18.4
-4	-5	52.3	17.7	51.3	18.1	49.9	18.4	48.1	18.7
-3	-4	53.6	18.0	52.6	18.4	51.2	18.7	49.4	19.0
-2	-3	55.1	18.4	54.0	18.7	52.5	19.1	50.7	19.4
-1	-2	56.6	18.7	55.5	19.1	54.0	19.4	52.2	19.7
0	-1	58.2	19.1	57.1	19.4	55.5	19.8	53.7	20.1
1	0	59.9	19.4	58.7	19.8	57.2	20.2	55.2	20.5
2	1	61.7	19.8	60.5	20.2	58.9	20.5	56.9	20.9
3	2	63.6	20.2	62.3	20.6	60.7	20.9	58.6	21.3
4	3	65.6	20.6	64.3	21.0	62.6	21.3	60.4	21.7
5	4	67.6	21.0	66.3	21.4	64.5	21.8	62.3	22.1
6	5	69.8	21.4	68.4	21.8	66.6	22.2	64.3	22.5
7	6	72.0	21.8	<b>71.0</b>	<b>22.4</b>	68.7	22.6	66.3	23.0
8	7	74.3	22.2	72.9	22.7	70.9	23.1	68.5	23.4
9	8	76.7	22.6	75.2	23.1	73.2	23.6	70.7	23.9
10	9	79.2	23.0	77.7	23.6	75.6	24.1	72.9	24.3
11	10	81.8	23.5	80.2	24.1	78.0	24.5	75.3	24.8
12	11	84.5	23.9	82.8	24.6	80.6	25.0	77.7	25.3
13	12	87.3	24.4	85.6	25.1	83.2	25.6	80.3	25.8
14	13	90.2	24.8	88.4	25.6	85.9	26.1	82.9	26.3
15	14	93.1	25.3	91.2	26.1	88.7	26.6	85.5	26.9
16	15	96.1	25.8	94.2	26.6	91.6	27.2	88.3	27.4
17	16	99.3	26.3	97.3	27.2	94.6	27.7	91.1	27.9
18	17	102.5	26.8	100.4	27.7	97.6	28.3	94.0	28.5
19	18	105.8	27.3	103.7	28.3	100.7	28.9	97.0	29.1
20	19	109.2	27.8	107.0	28.9	104.0	29.5	100.1	29.7

BS : Dry bulb temperature (°C)  
 BH : Wet bulb temperature (°C)  
 PC : Heating capacity (kW)  
 PA : Power input without indoor fan (kW)

## DK/DN 905

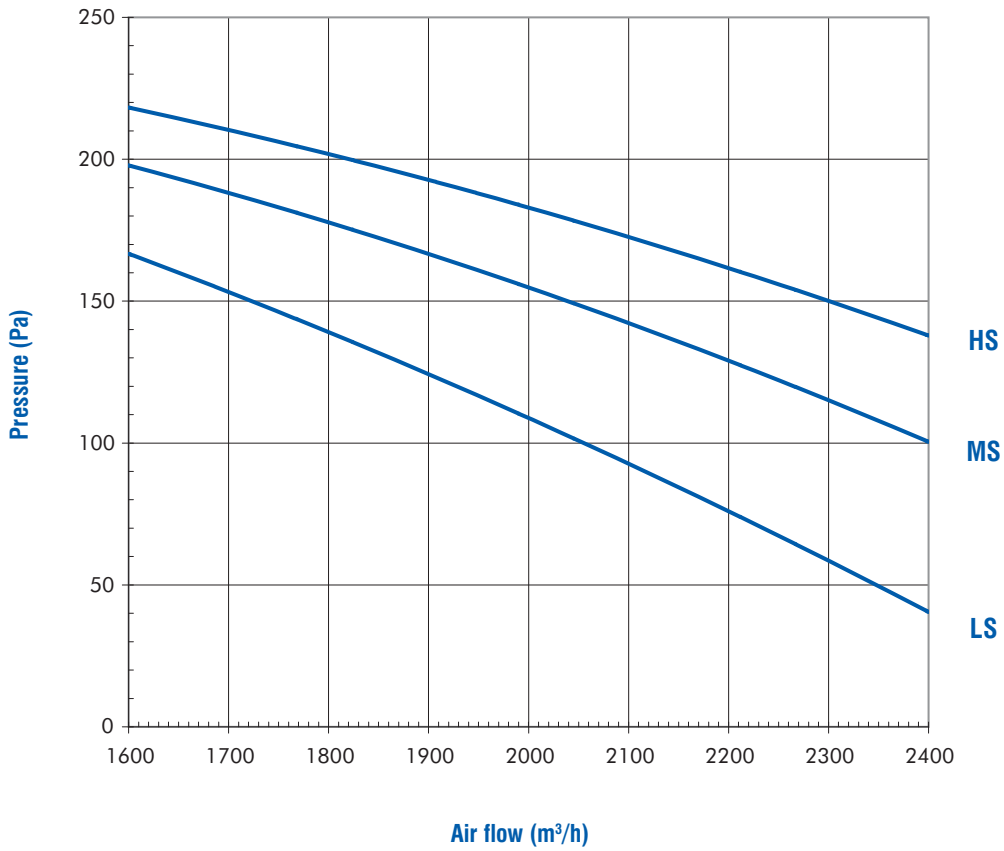
Nominal air flow 14300 m<sup>3</sup>/h

Air temperature at evaporator inlet (°C)		Air temperature at condenser inlet (°C)							
		18		20		22		24	
BS	BH	PC (kW)	PA (kW)	PC (kW)	PA (kW)	PC (kW)	PA (kW)	PC (kW)	PA (kW)
-7	-8	57.6	20.1	56.4	20.6	54.9	21.0	52.9	21.3
-6	-7	58.8	20.5	57.7	21.0	56.1	21.4	54.1	21.7
-5	-6	60.2	20.9	59.0	21.3	57.4	21.7	55.4	22.1
-4	-5	61.7	21.3	60.5	21.7	58.9	22.1	56.8	22.5
-3	-4	63.3	21.7	62.1	22.1	60.4	22.5	58.3	22.9
-2	-3	65.0	22.1	63.7	22.5	62.0	22.9	59.9	23.3
-1	-2	66.8	22.5	65.5	22.9	63.7	23.3	61.6	23.7
0	-1	68.7	22.9	67.4	23.3	65.6	23.8	63.3	24.1
1	0	70.7	23.3	69.3	23.8	67.5	24.2	65.2	24.6
2	1	72.8	23.8	71.4	24.2	69.5	24.7	67.1	25.0
3	2	75.0	24.2	73.6	24.7	71.6	25.1	69.2	25.5
4	3	77.4	24.7	75.9	25.2	73.8	25.6	71.3	26.0
5	4	79.8	25.2	78.2	25.7	76.2	26.1	73.6	26.5
6	5	82.3	25.6	80.7	26.2	78.6	26.7	75.9	27.0
7	6	85.0	26.1	<b>83.8</b>	<b>26.9</b>	81.1	27.2	78.3	27.6
8	7	87.7	26.6	86.0	27.3	83.7	27.7	80.8	28.1
9	8	90.6	27.1	88.8	27.8	86.4	28.3	83.4	28.7
10	9	93.5	27.7	91.7	28.4	89.2	28.9	86.1	29.2
11	10	96.6	28.2	94.7	28.9	92.1	29.5	88.9	29.8
12	11	99.8	28.7	97.8	29.5	95.1	30.1	91.8	30.4
13	12	103.0	29.3	101.0	30.1	98.2	30.7	94.7	31.0
14	13	106.4	29.8	104.3	30.7	101.4	31.3	97.8	31.6
15	14	109.9	30.4	107.7	31.4	104.7	32.0	101.0	32.3
16	15	113.5	31.0	111.2	32.0	108.1	32.6	104.2	32.9
17	16	117.2	31.6	114.8	32.7	111.6	33.3	107.6	33.6
18	17	121.0	32.2	118.5	33.3	115.2	34.0	111.0	34.2
19	18	124.9	32.8	122.3	34.0	118.9	34.7	114.5	34.9
20	19	128.9	33.4	126.3	34.7	122.7	35.4	118.1	35.6

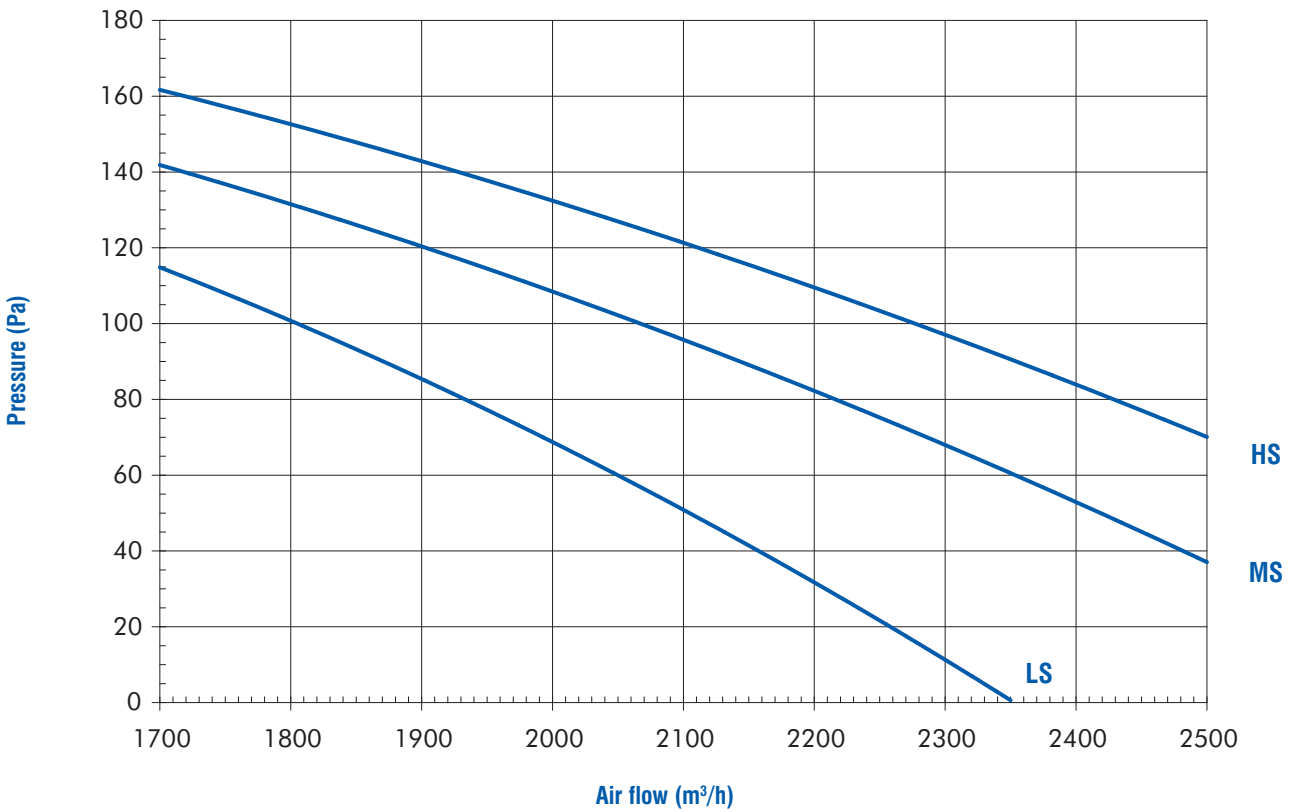
BS : Dry bulb temperature (°C)  
 BH : Wet bulb temperature (°C)  
 PC : Heating capacity (kW)  
 PA : Power input without indoor fan (kW)

# Indoor Fan Curves

DK 125V - Nominal air flow 2100 m<sup>3</sup>/h

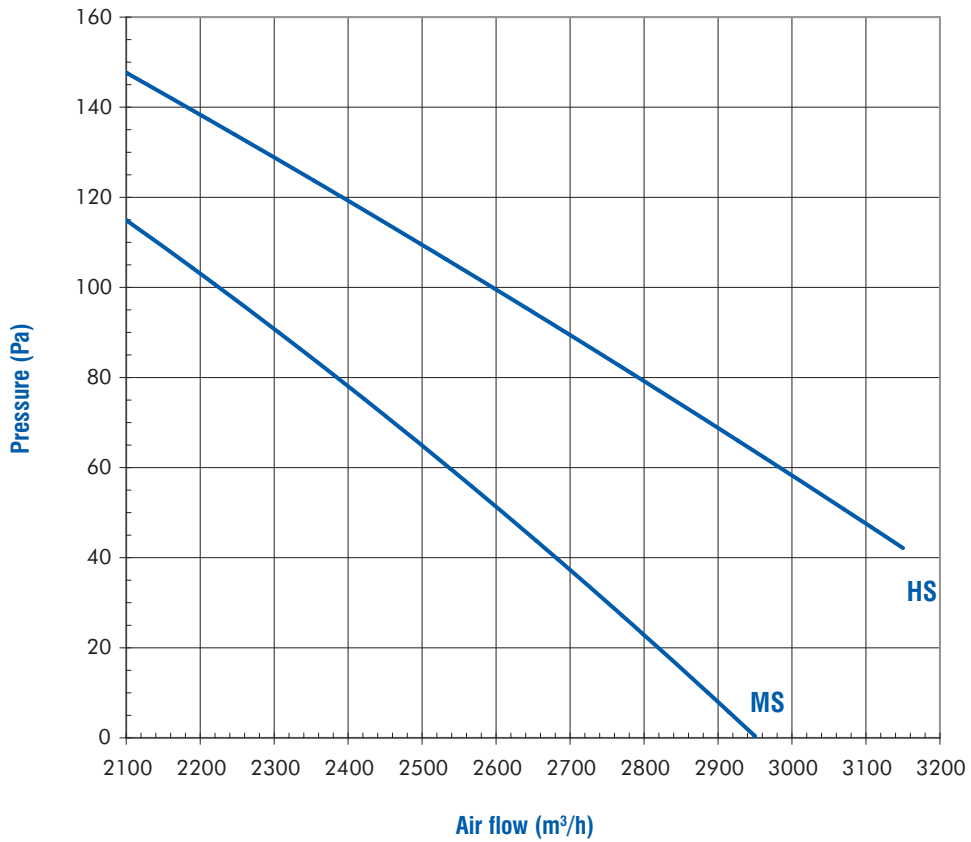


DK 125 - Nominal air flow 2100 m<sup>3</sup>/h

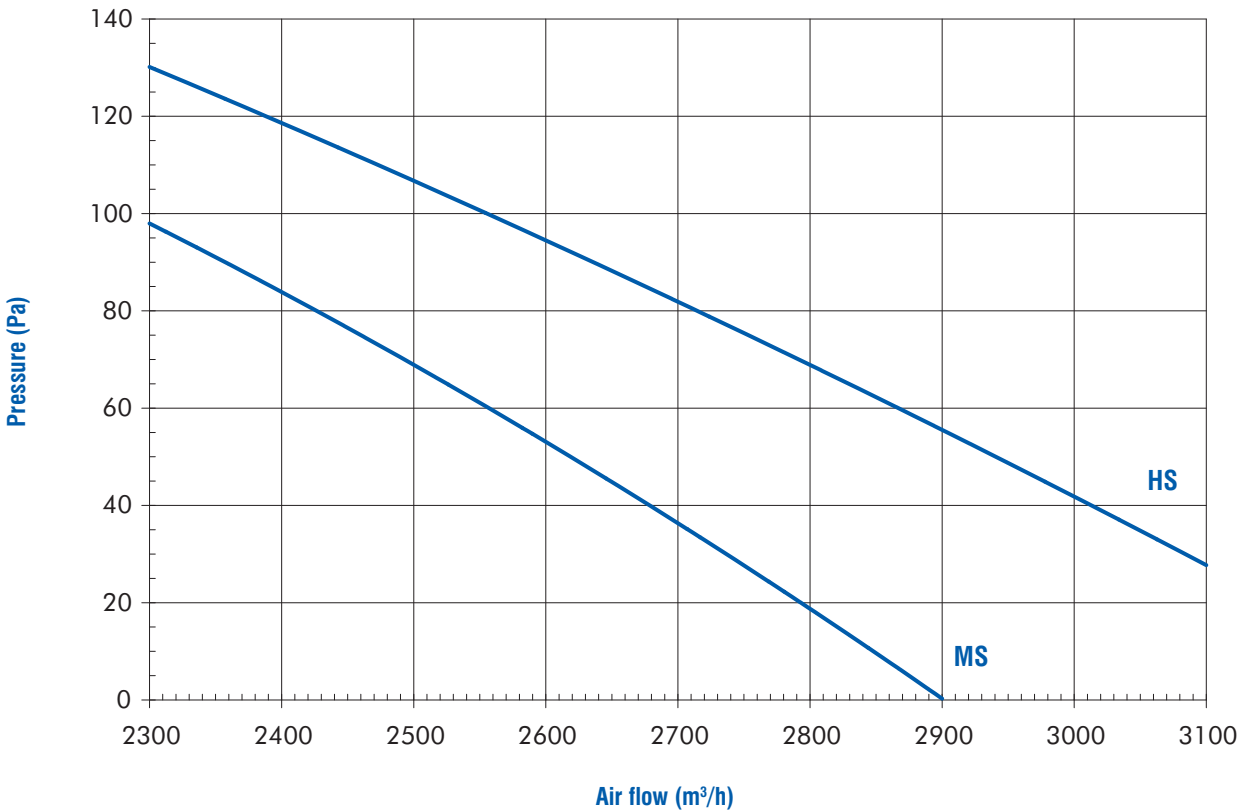


# Indoor Fan Curves

## DK 155V - Nominal air flow 2850 m<sup>3</sup>/h

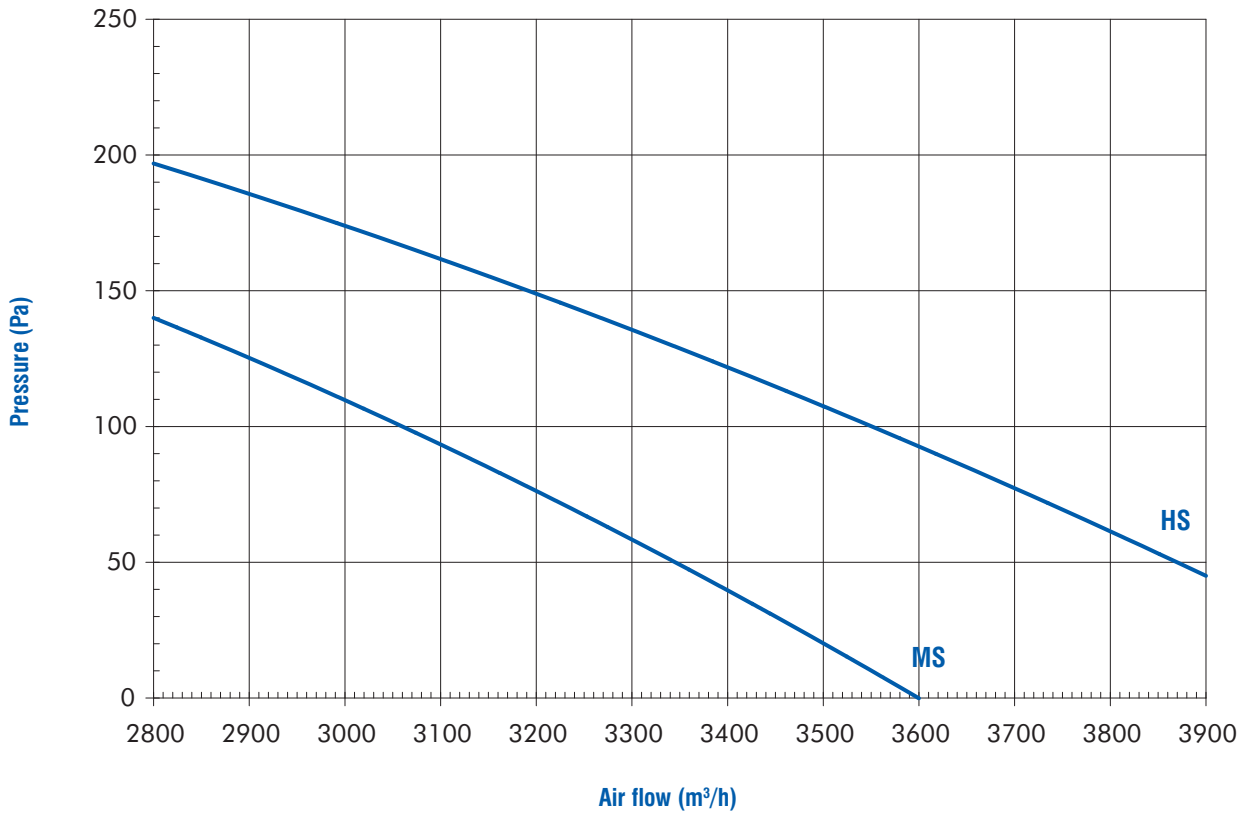


## DK 155 - Nominal air flow 2850 m<sup>3</sup>/h

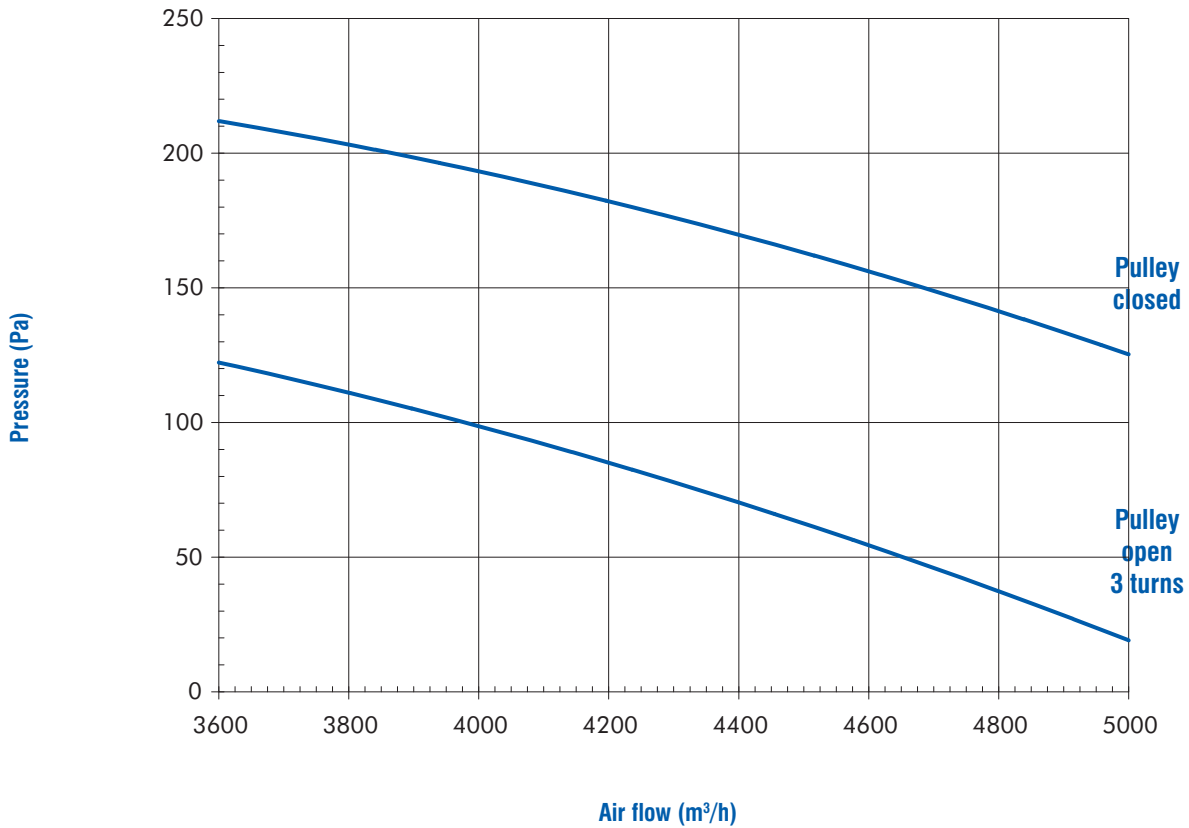


# Indoor Fan Curves

**DK 185 - Nominal air flow 3500 m<sup>3</sup>/h**

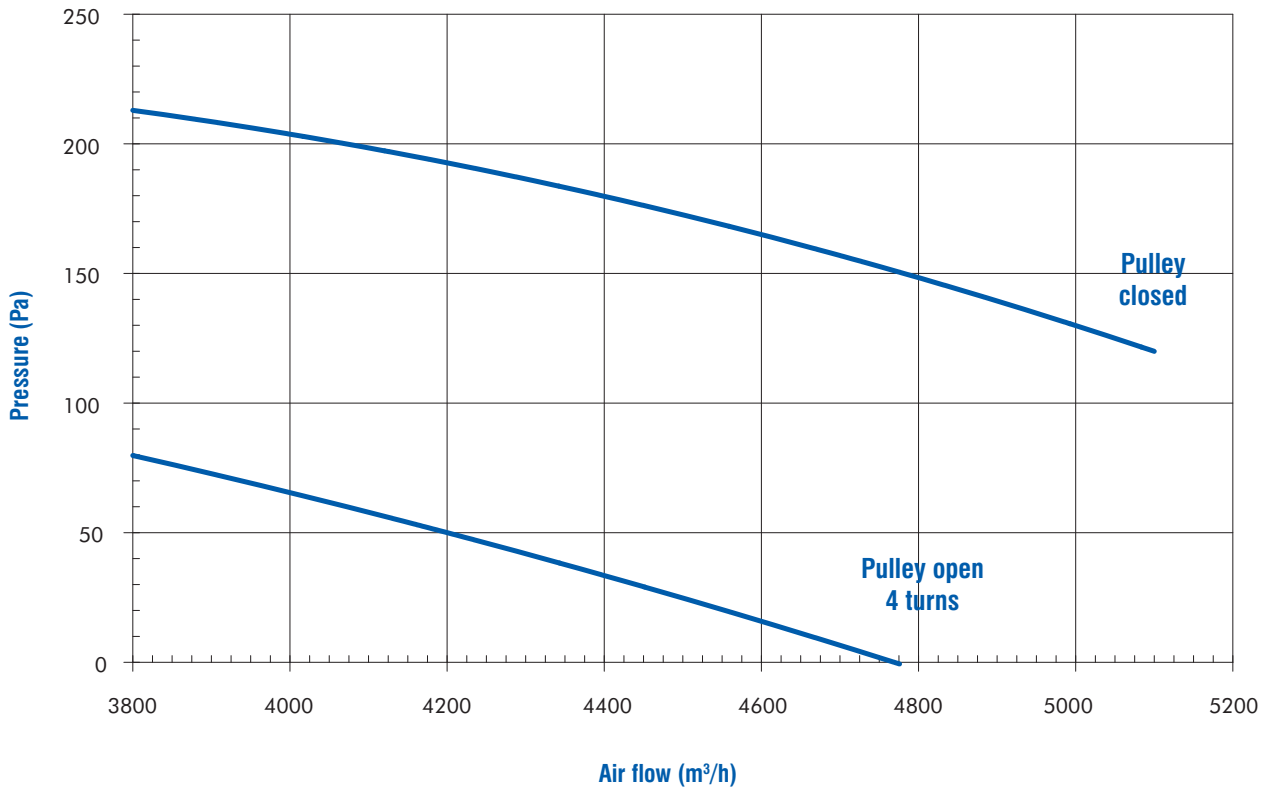


**DK 205 - Nominal air flow 4500 m<sup>3</sup>/h**

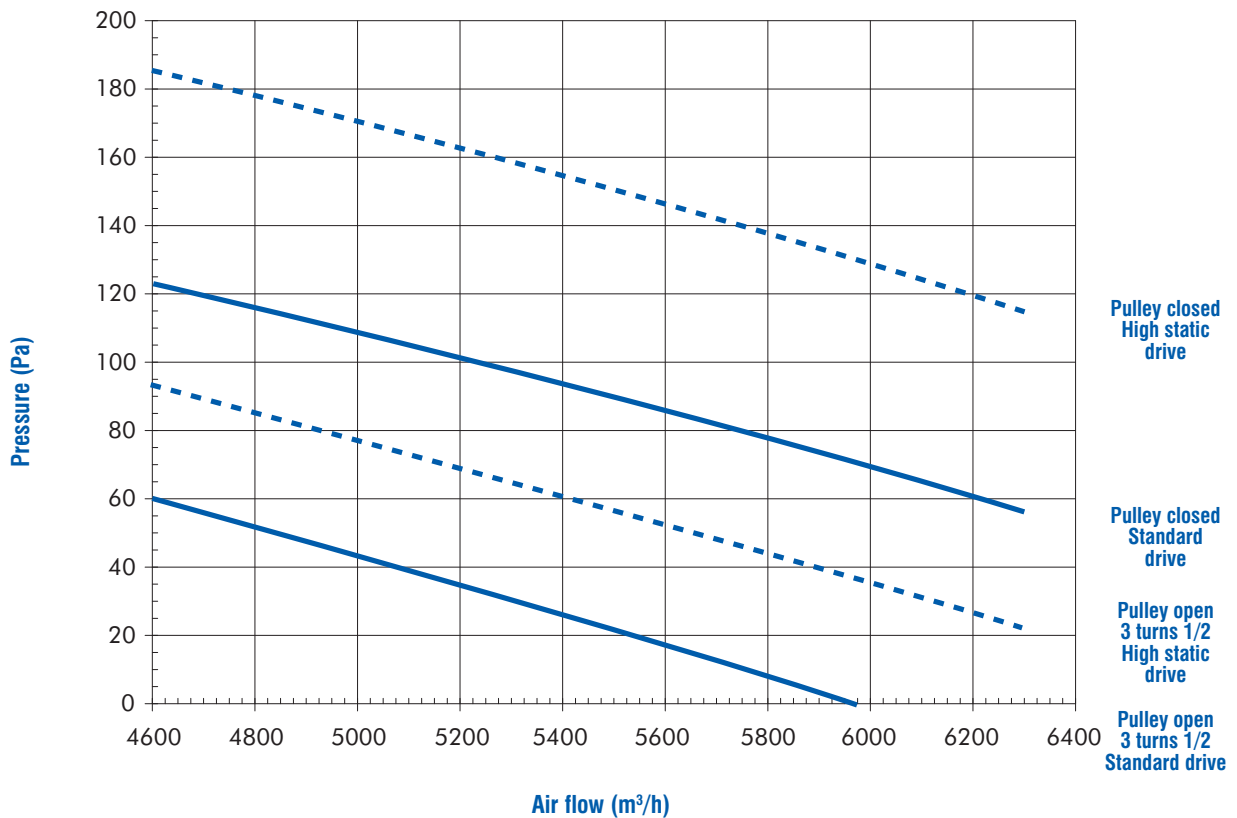


# Indoor Fan Curves

**DK 255 - Nominal air flow 4680 m<sup>3</sup>/h**

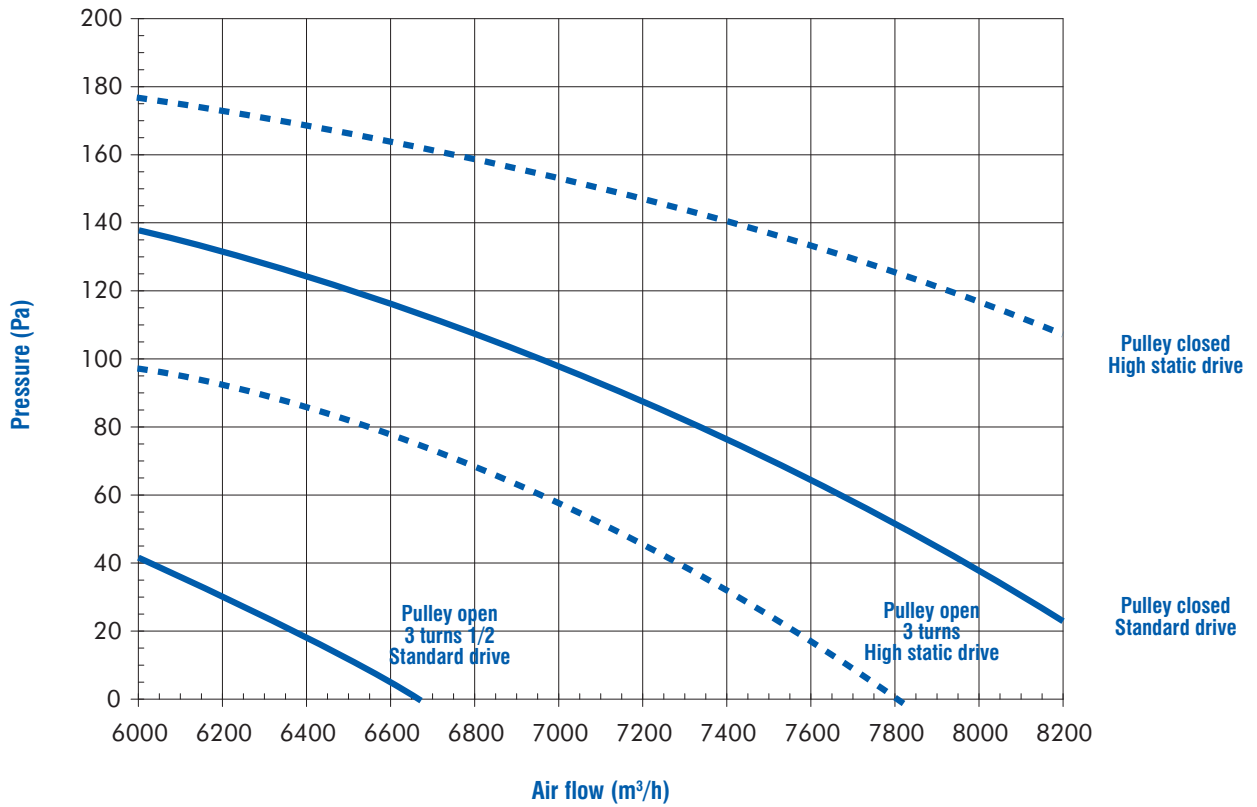


**DK 305 - Nominal air flow 5760 m<sup>3</sup>/h**

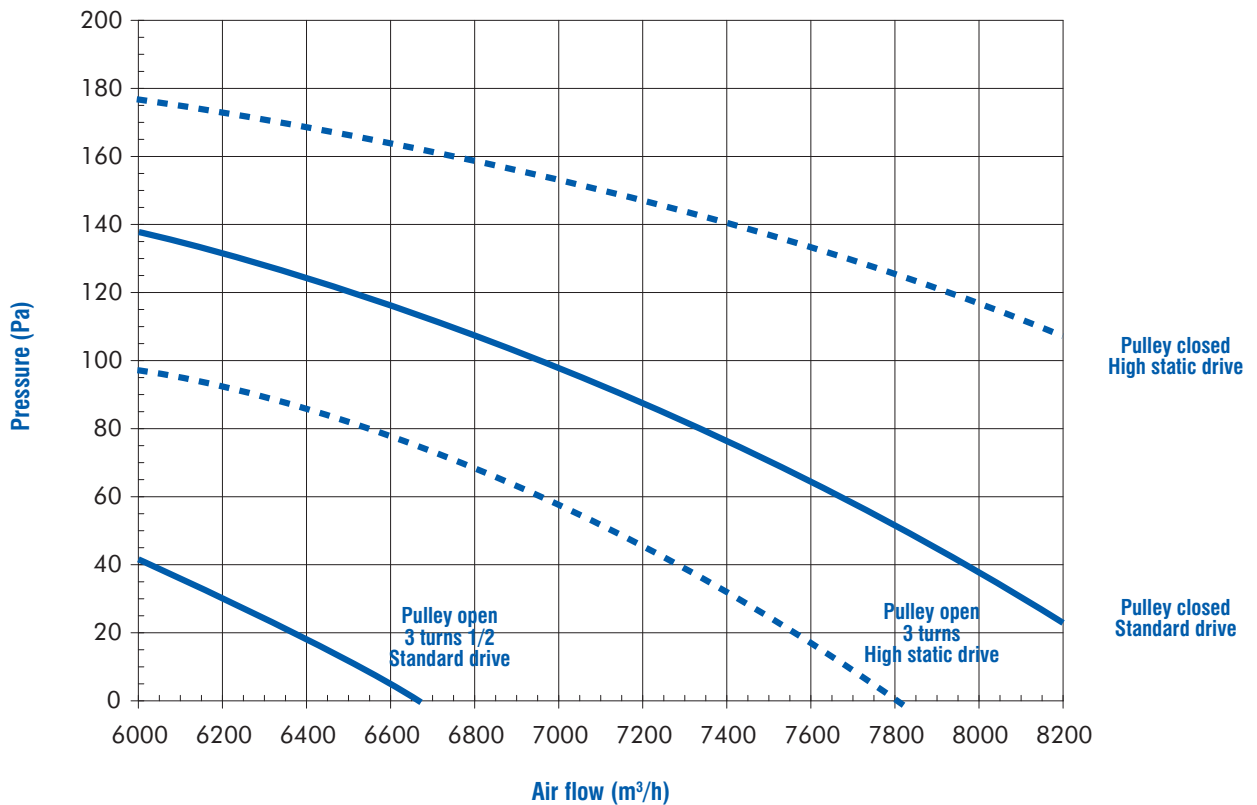


# Indoor Fan Curves

**DK 405M - Nominal air flow 7560 m<sup>3</sup>/h**

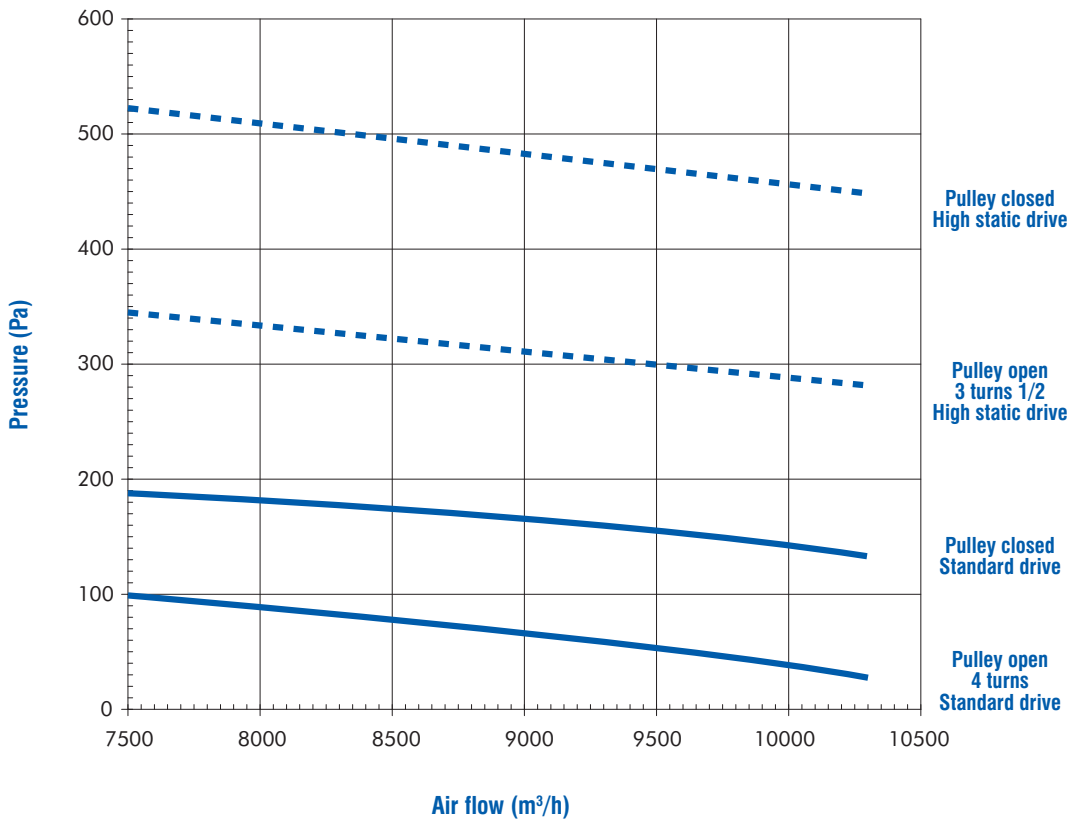


**DK 405 - Nominal air flow 7560 m<sup>3</sup>/h**

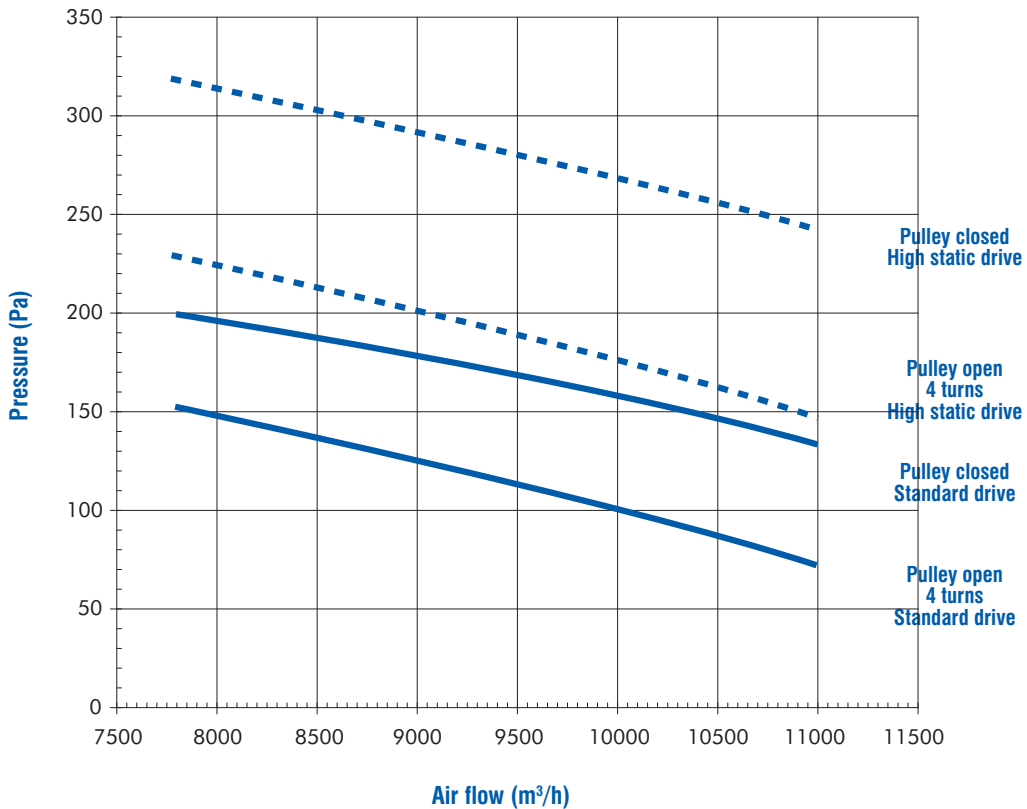


# Indoor Fan Curves

## DK 505 - Nominal air flow 9360 m<sup>3</sup>/h

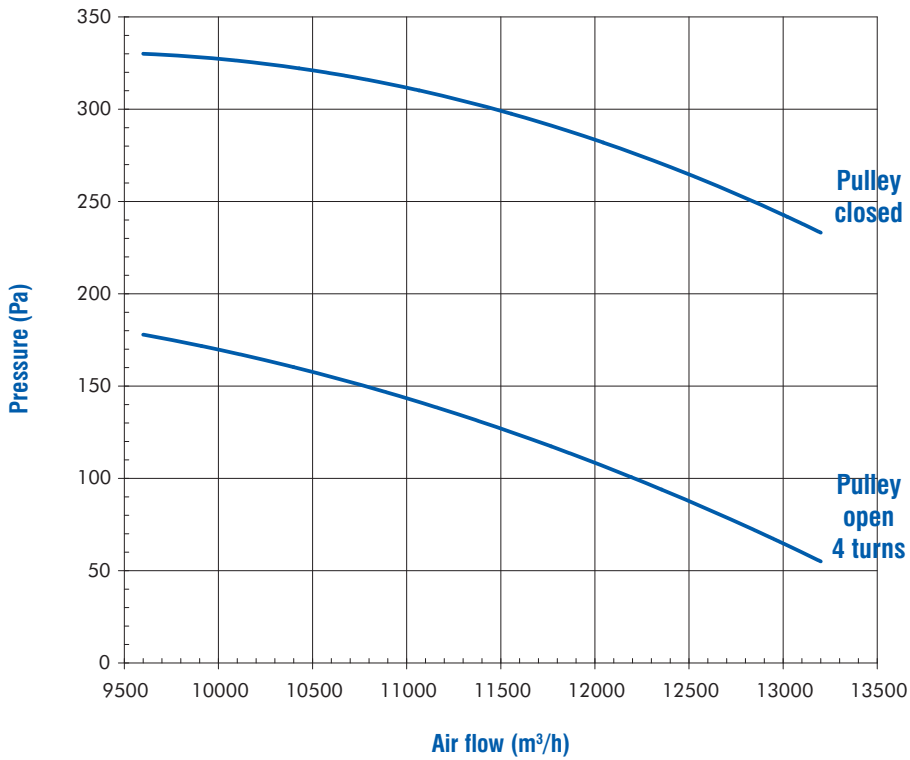


## DK 605 - Nominal air flow 9720 m<sup>3</sup>/h

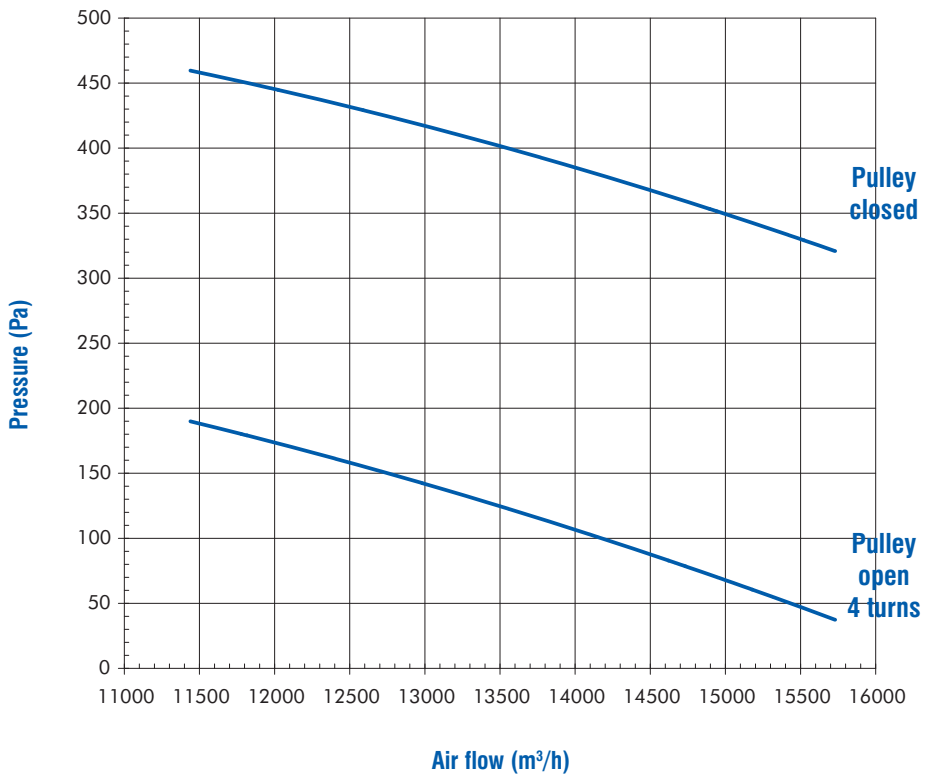


# Indoor Fan Curves

## DK 755 - Nominal air flow 12000 m<sup>3</sup>/h

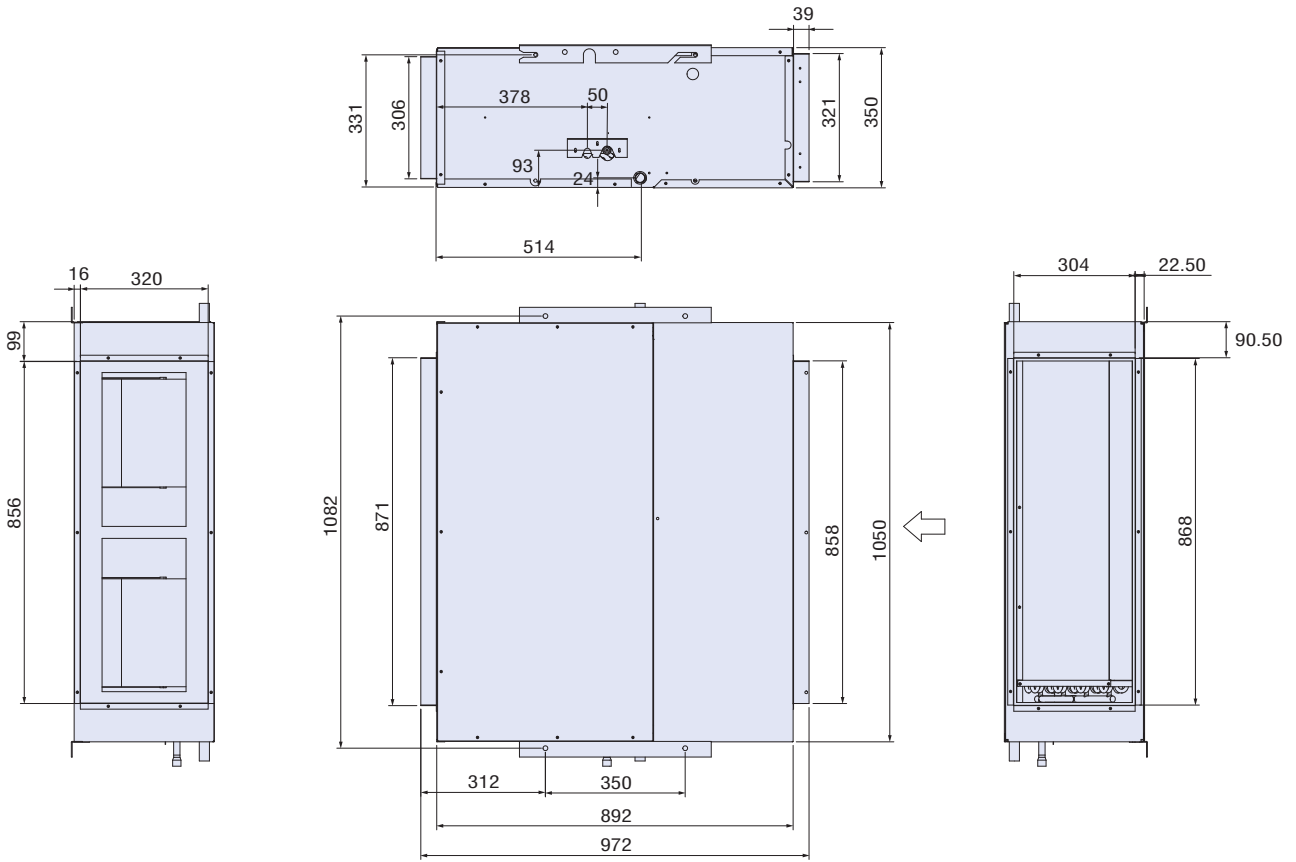


## DK 905 - Nominal air flow 14300 m<sup>3</sup>/h

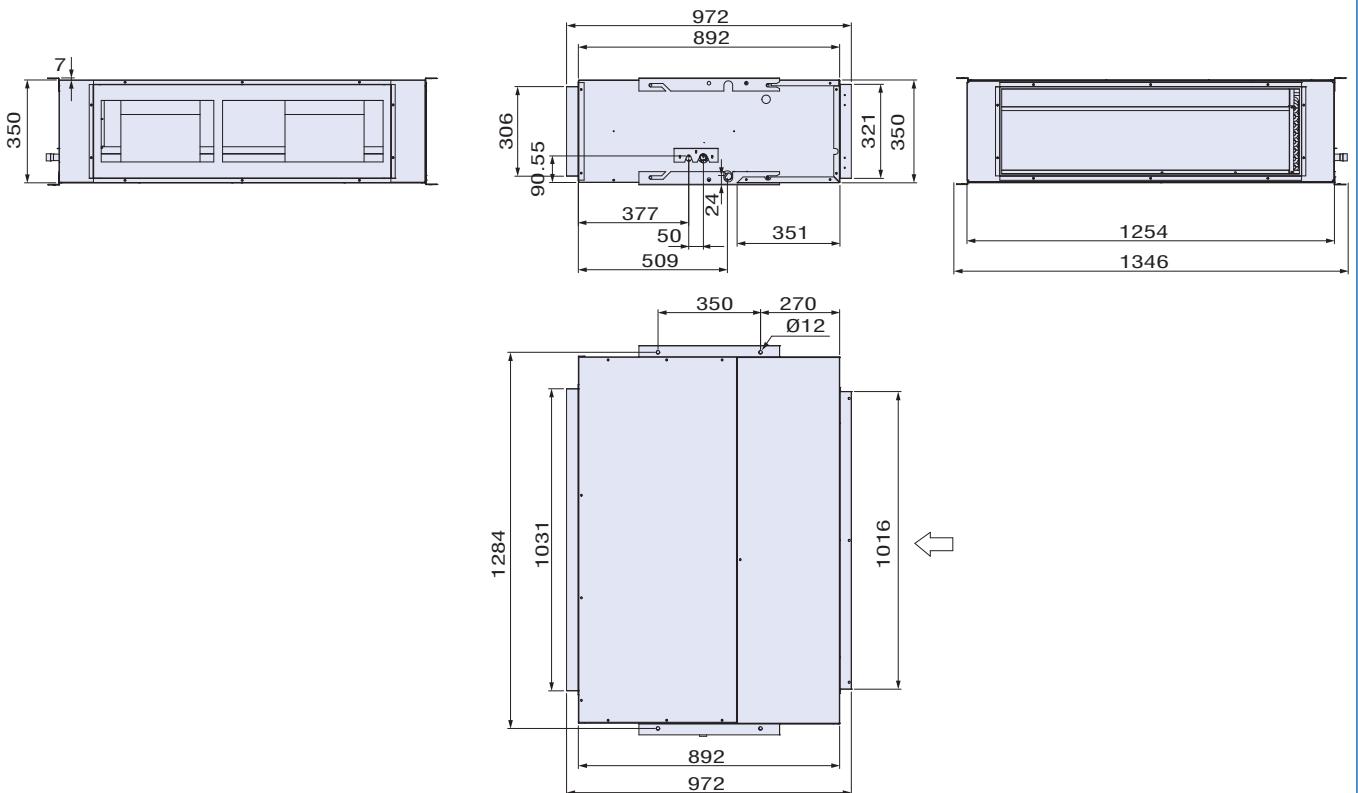


# Dimensions (mm) - DK 125V & 155V

## DK 125V



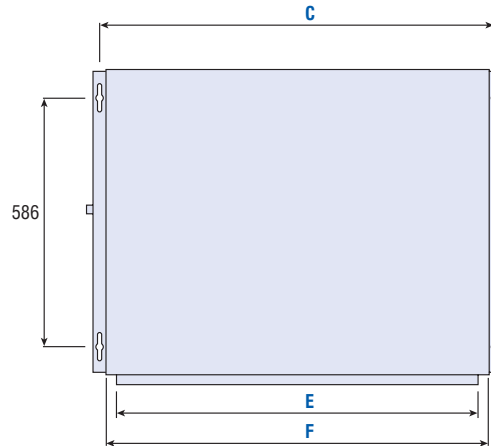
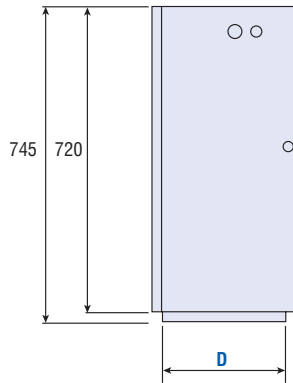
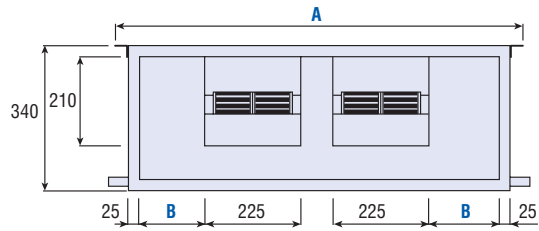
## DK 155V



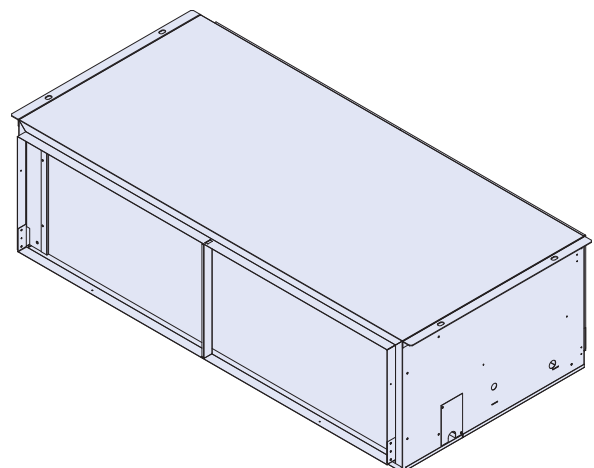
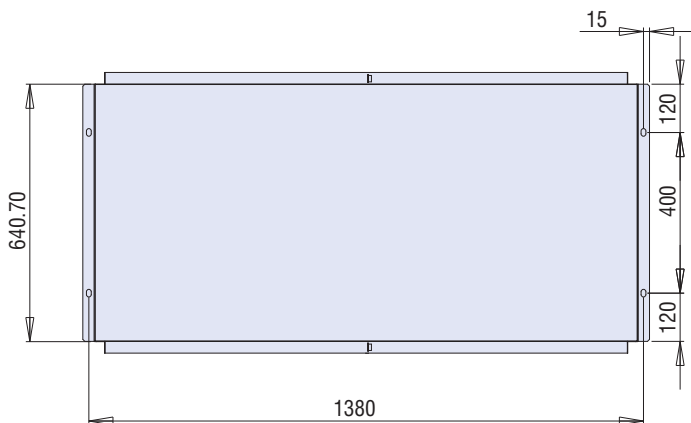
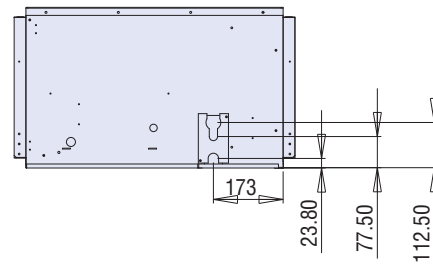
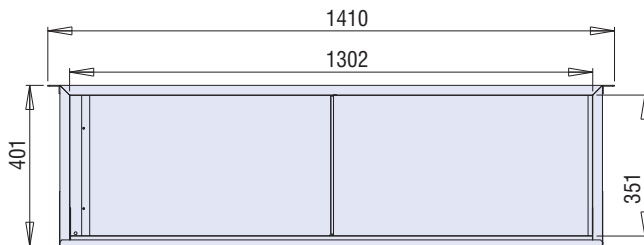
# Dimensions (mm) - DK 125, 155, 185

## DK 125, 155

DK	125	155
A	1210	1410
B	190	290
C	1180	1380
D	290	290
E	1100	1300
F	1150	1350

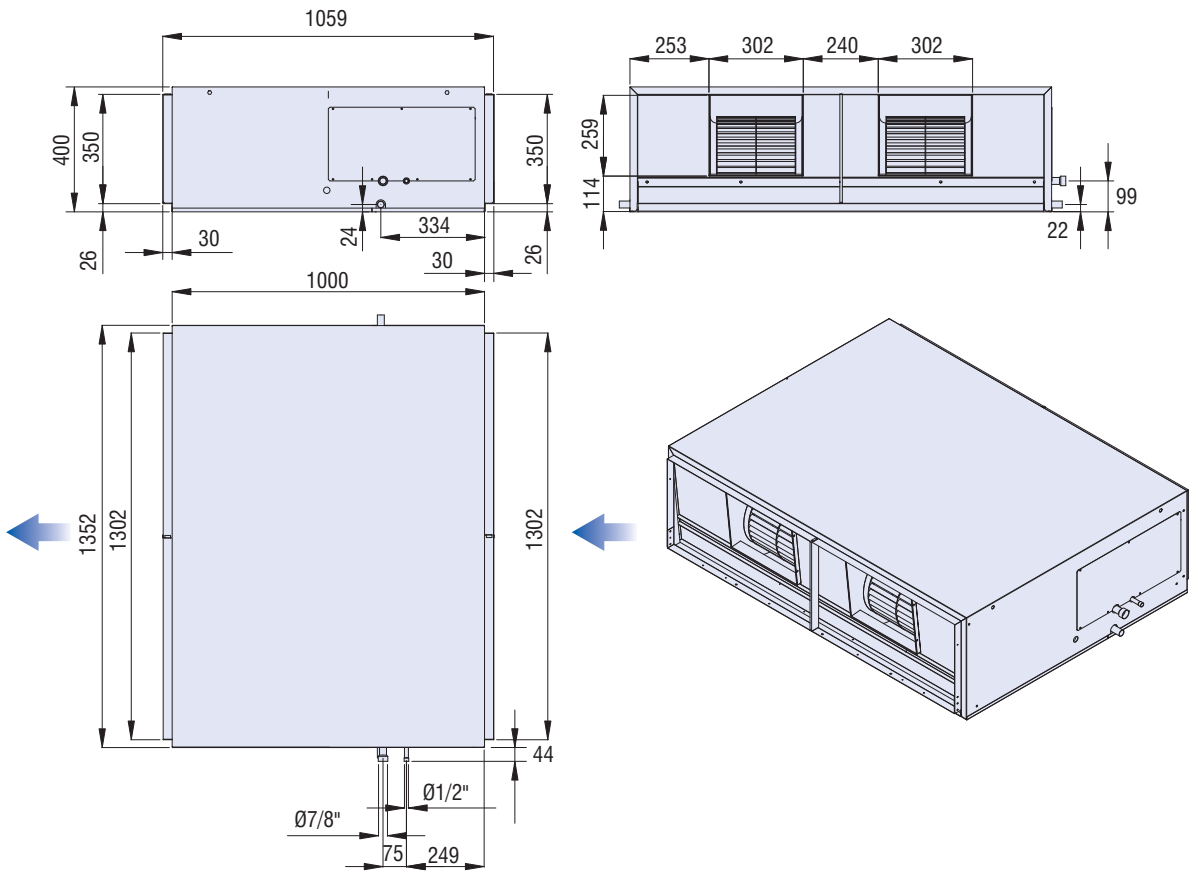


## DK 185

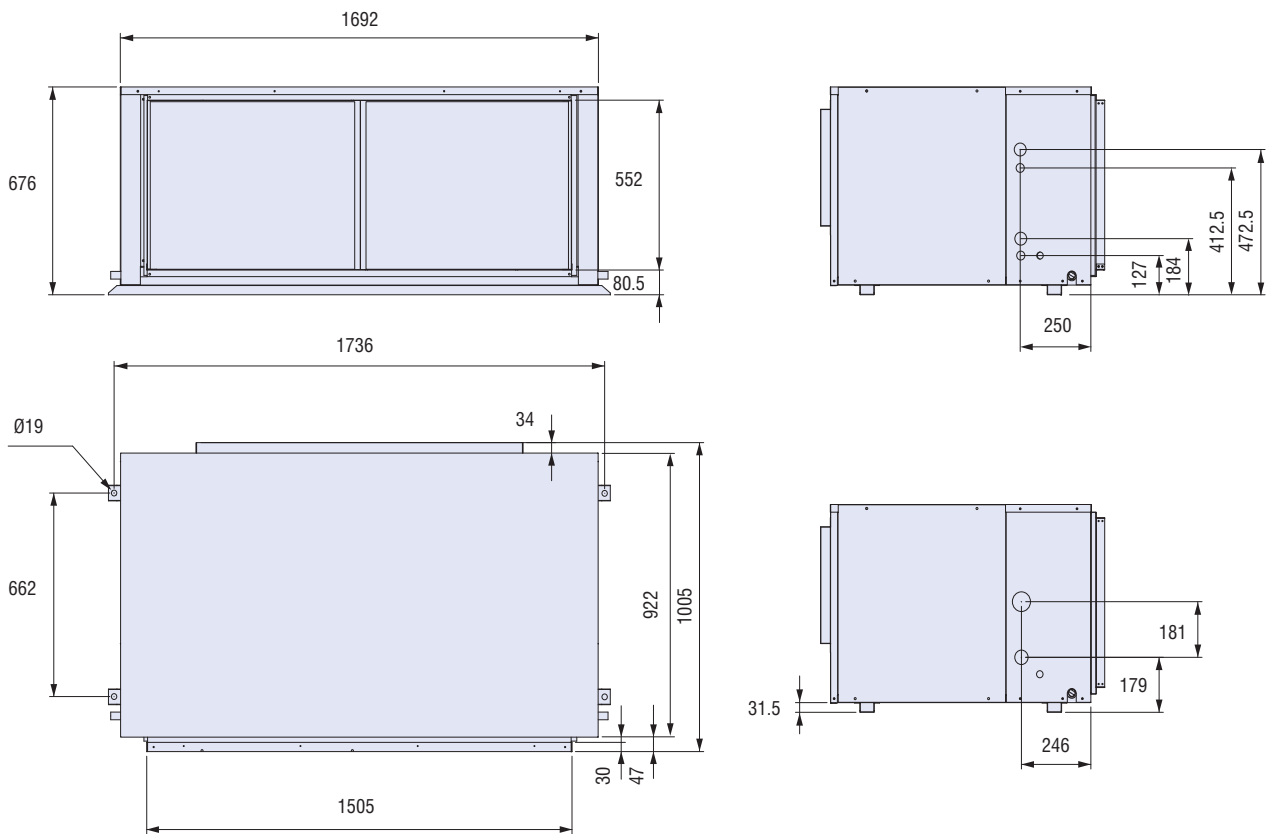


# Dimensions (mm) - DK 205, 255, 305, 405M, 405

## DK 205, 255

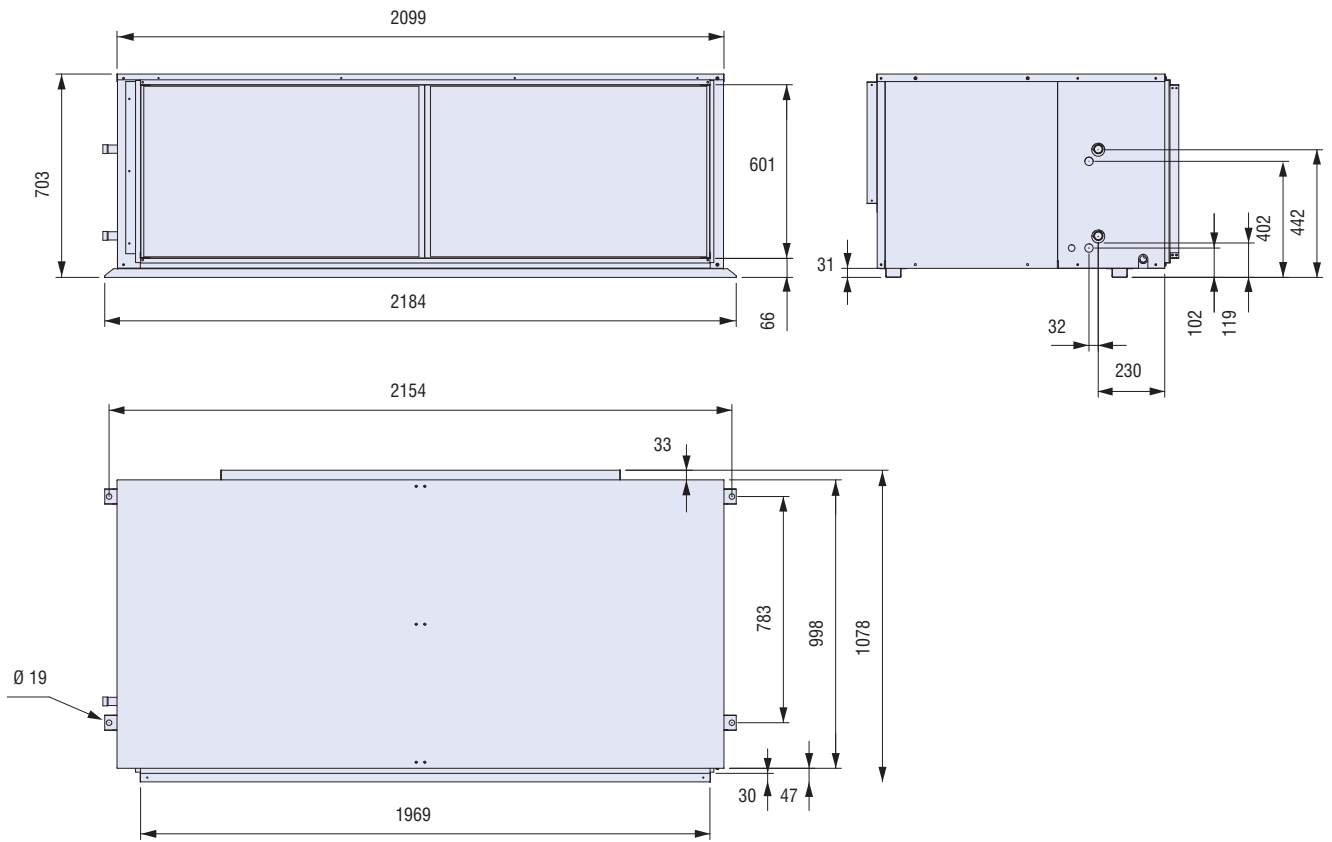


## DK 305, 405M, 405

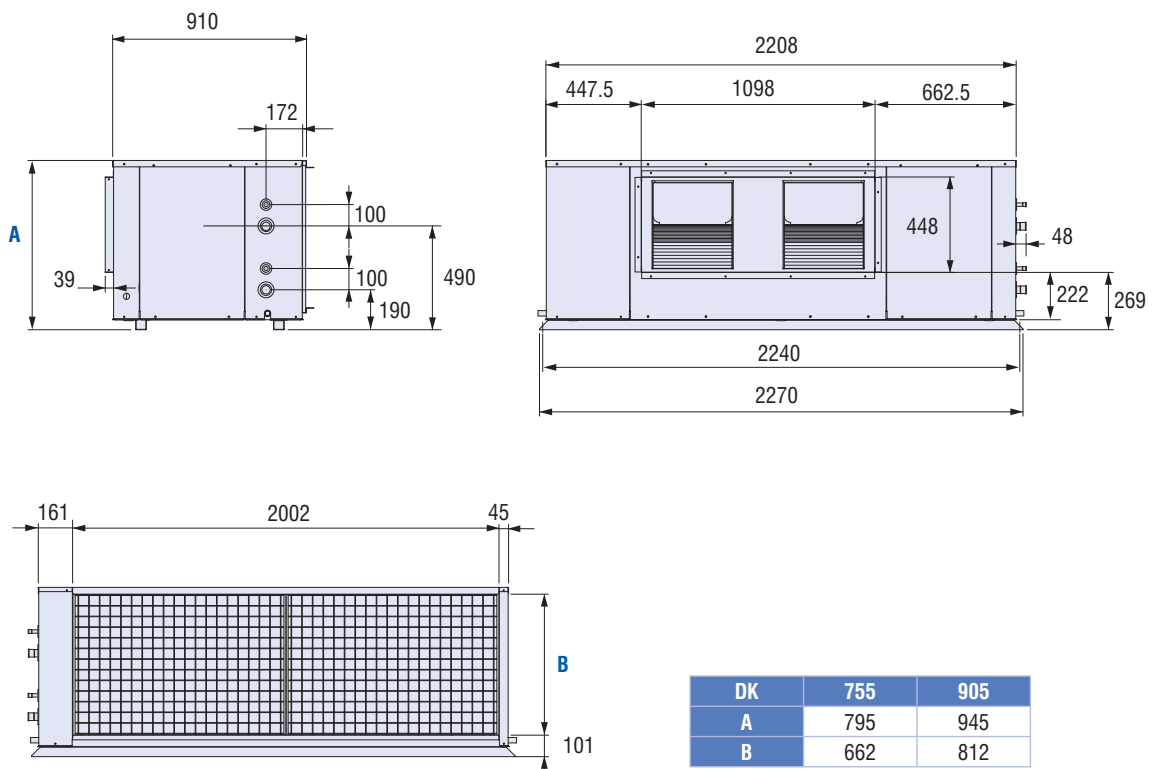


# Dimensions (mm) - DK 505, 605, 755, 905

## DK 505, 605

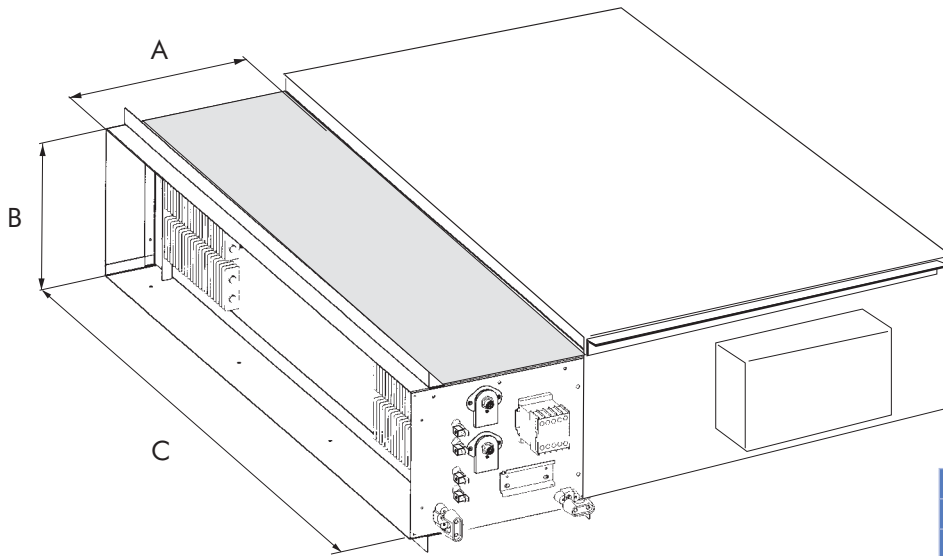


## DK 755, 905



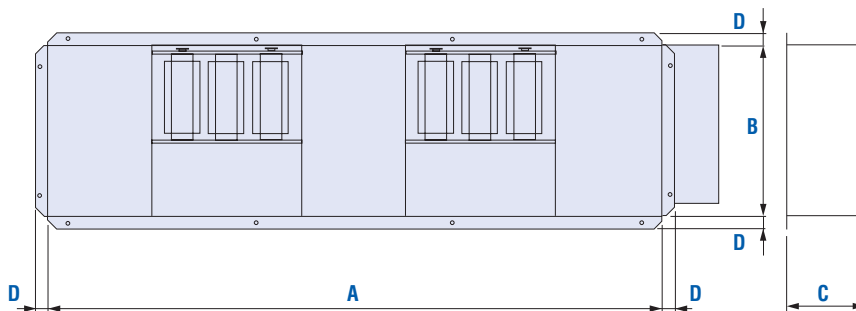
## Dimensions (mm) - Optional Electric Heater Kit

### DK 125, 155 & 185



	A	B	C
DK 125	250	293	1107
DK 155	250	293	1307
DK 185	250	353	1307

### DK 125V & 155V and 205 to 905



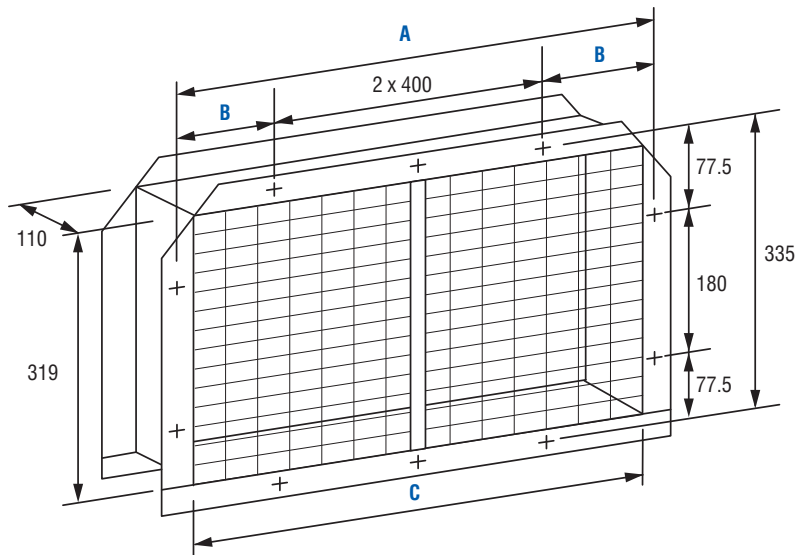
	A	B	C	D
DK 125V	855	290	115	25
DK 155V	1015	290	115	25
DK 205	1308	378	170	25
DK 255	1308	378	170	25
DK 305	1157	378	170	25
DK 405/405M	1157	378	170	25
DK 505	1382	421	170	25
DK 605	1382	421	170	25
DK 755	1066	416	170	40
DK 905	1066	416	170	40

## Dimensions (mm) - Optional Air Filter Kit

### Air filter data

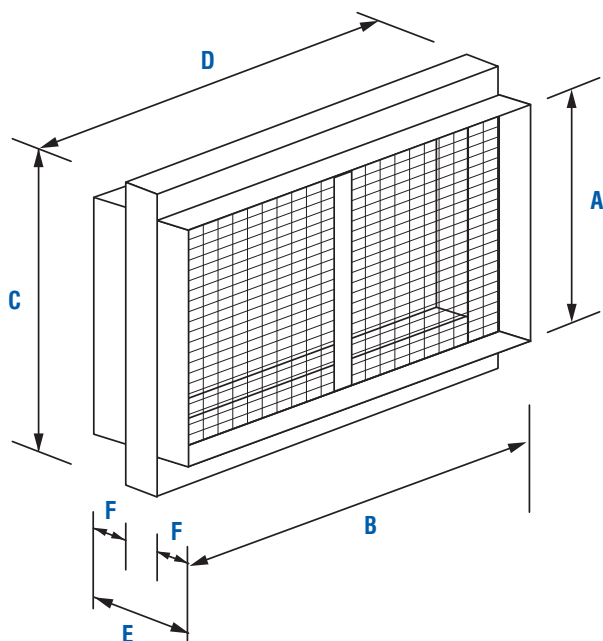
DK	Dimensions	Number of filters
125V	415 x 315 x 20	2
125	1145 x 326 x 7	1
155V	495 x 315 x 20	2
155	1344 x 326 x 7	1
185	1344 x 387 x 7	1
205-255	1344 x 387 x 7	1
305-405M-405	766 x 586 x 15	2
505-605	1000 x 630 x 15	2
755	1000 x 690 x 15	2
905	1000 x 840 x 15	2

### Filter box - DK 125V & 155V



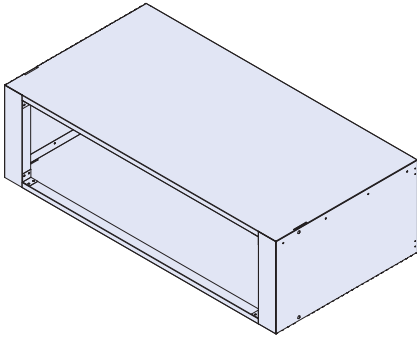
DK	125V	155V
A	871	1031
B	35.5	115.5
C	855	1015

### Filter box - DK 205 to 605

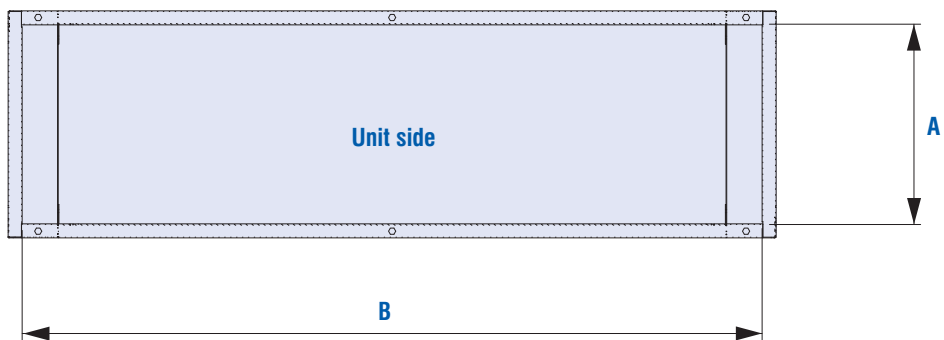
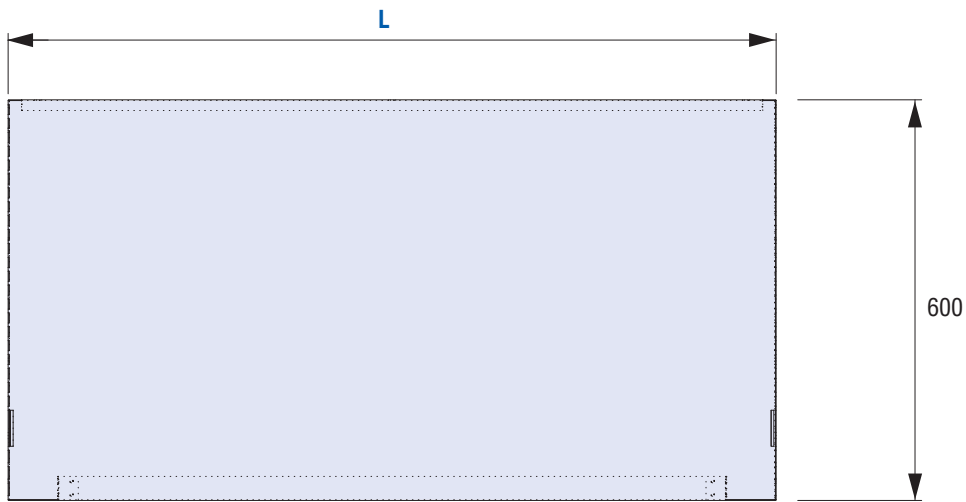
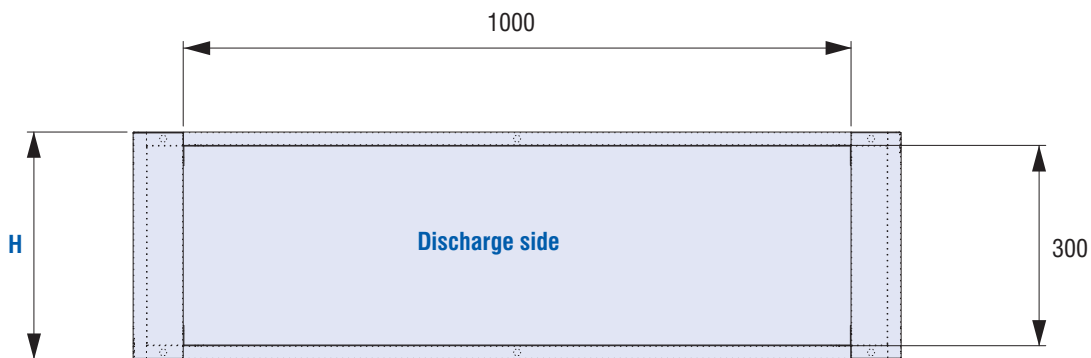


DK	205-255	305-405M-405	505-605
A	359.4	562	605
B	1308.4	1507	1976
C	393	592	636
D	1348	1541	2008
E	70	99	97
F	24	40	39

## Dimensions (mm) - Optional Discharge Acoustical Plenum

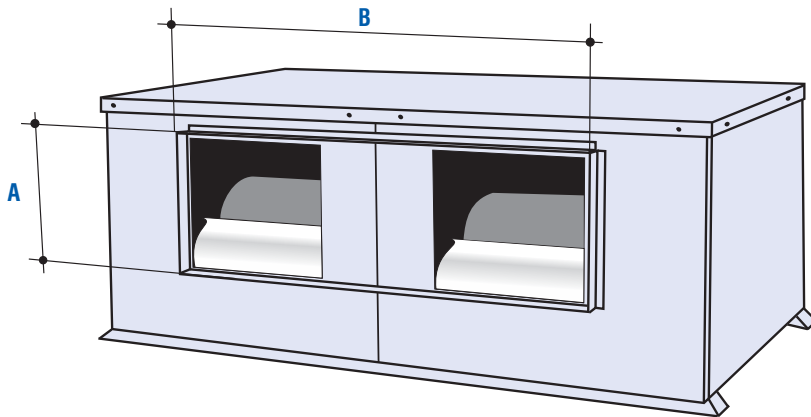


DK	H	L	A	B
125	340	1150	298	1108
155	340	1350	298	1308
185	400	1350	358	1308



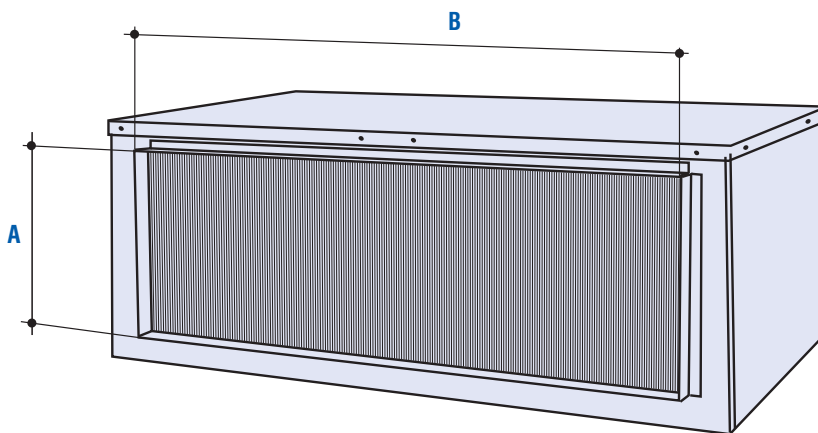
## Duct Connections (mm)

### Discharge side



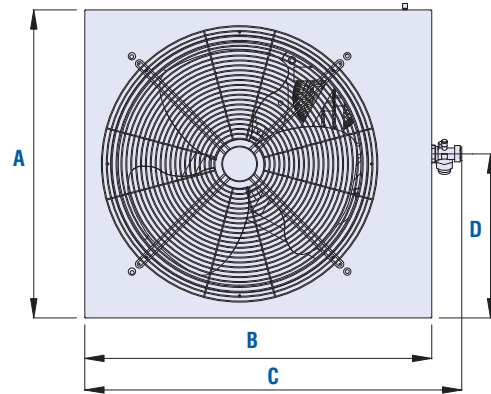
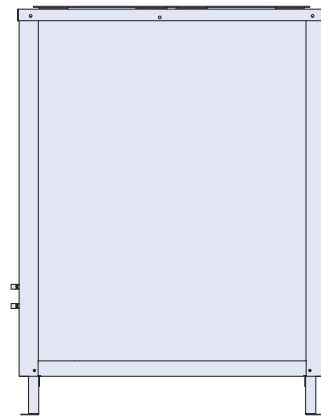
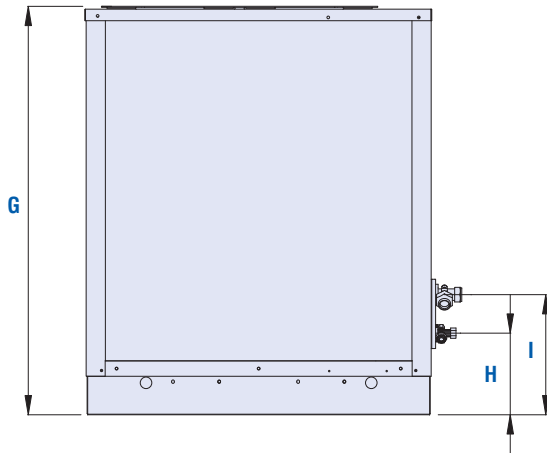
DK	A	B
125V	306	871
125	290	1100
155V	306	1031
155	290	1300
185	350	1300
205-255	350	1302
305-405	382	1159
505-605	421	1382
755	448	1098
905	448	1098

### Suction side



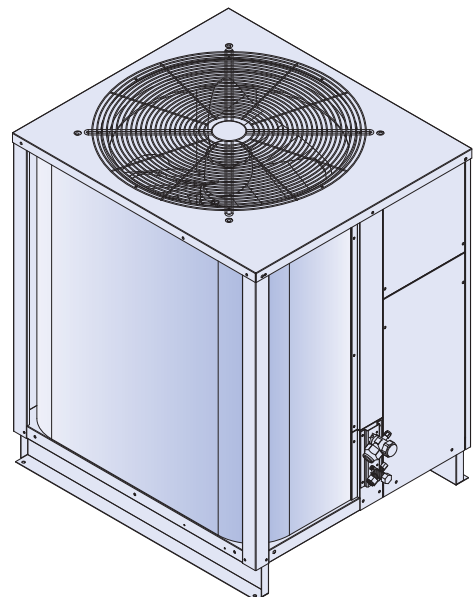
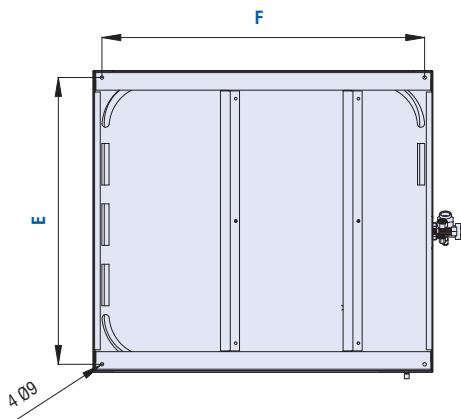
DK	A	B
125V	321	858
125	340	1150
155V	321	1016
155	340	1350
185	350	1300
205-255	350	1302
305-405	559	1505
505-605	601	1969
755	662	2002
905	812	2002

# Dimensions (mm) - DN 125, 155

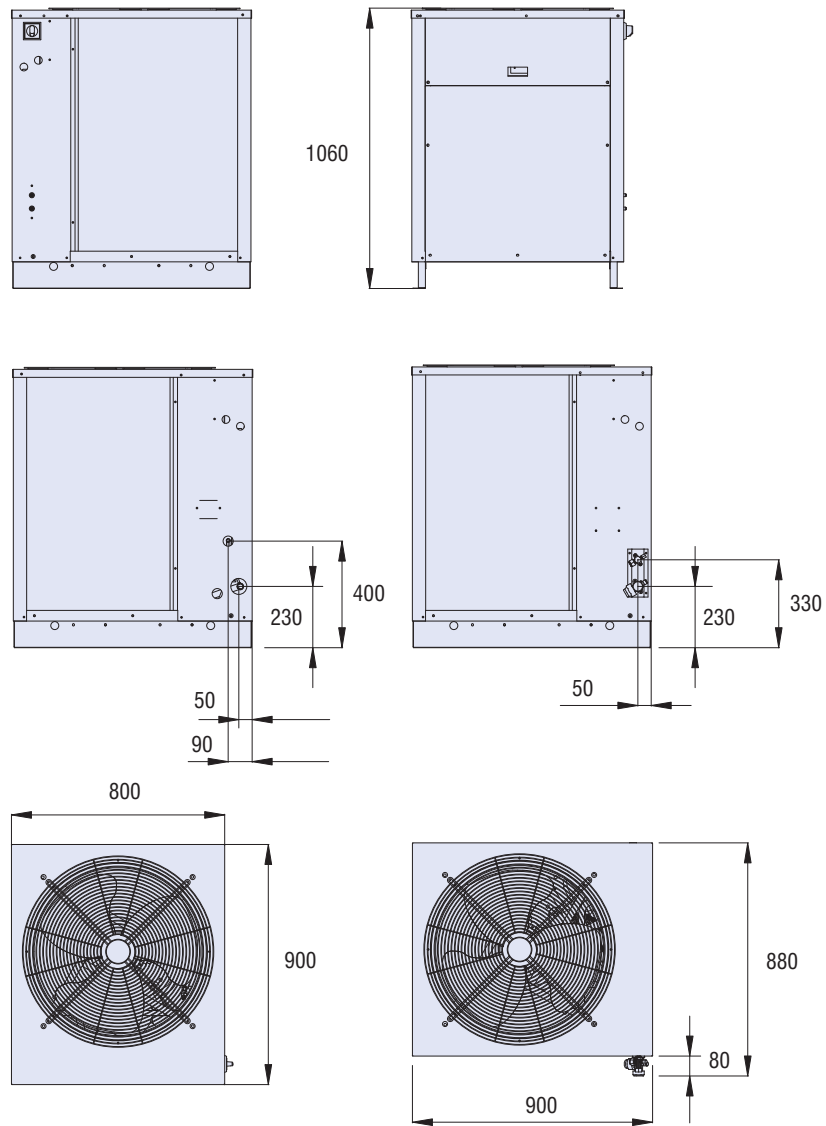


DN	125	155
A	746	800
B	746	900
C	823	980
D	440	426
E	707	760
F	699	855
G	909	1060
H	212	212
I	313	312

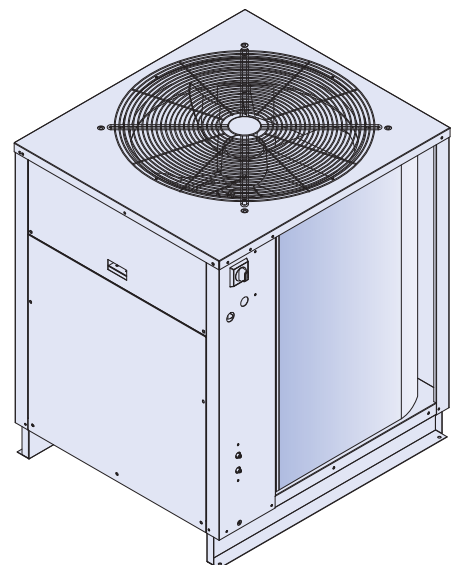
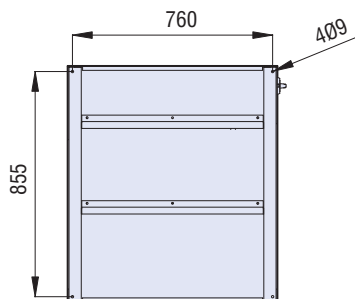
## Vibration isolator fixing points Bottom view



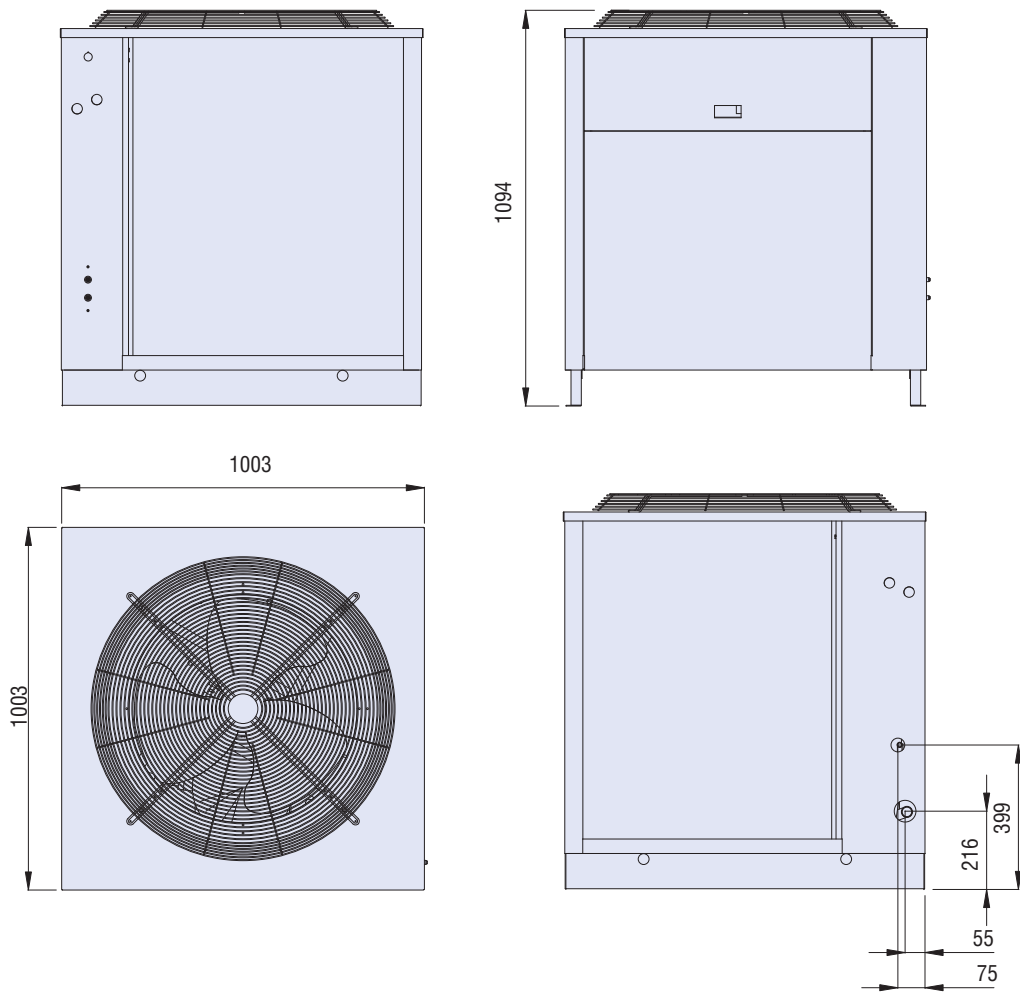
# Dimensions (mm) - DN 185, 205, 255



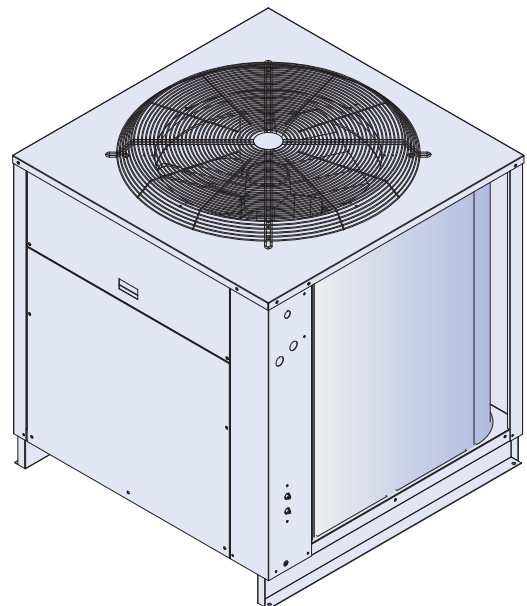
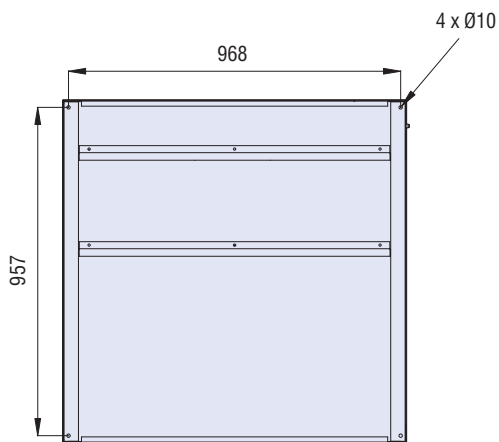
## Vibration isolator fixing points Bottom view



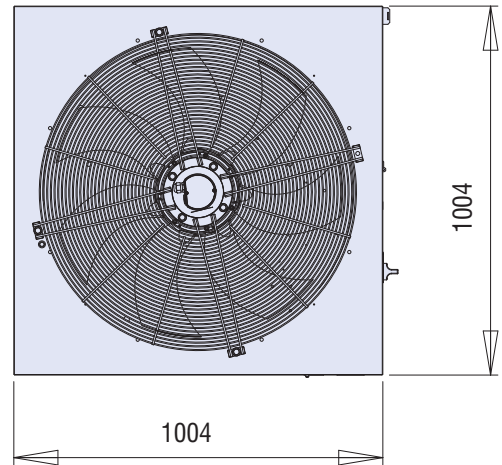
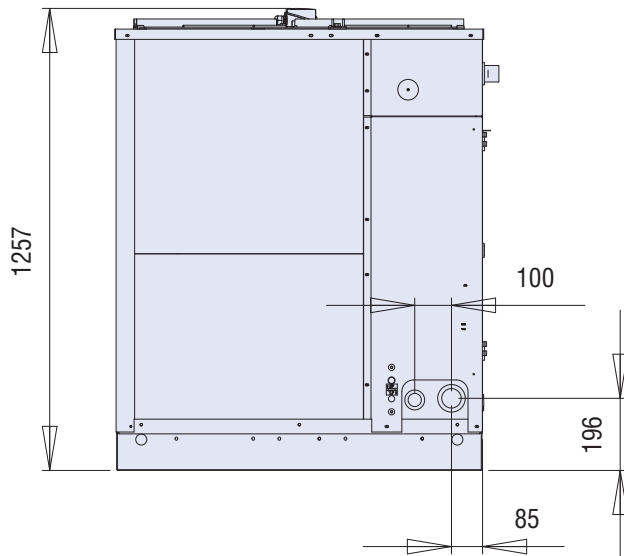
## Dimensions (mm) - DN 305



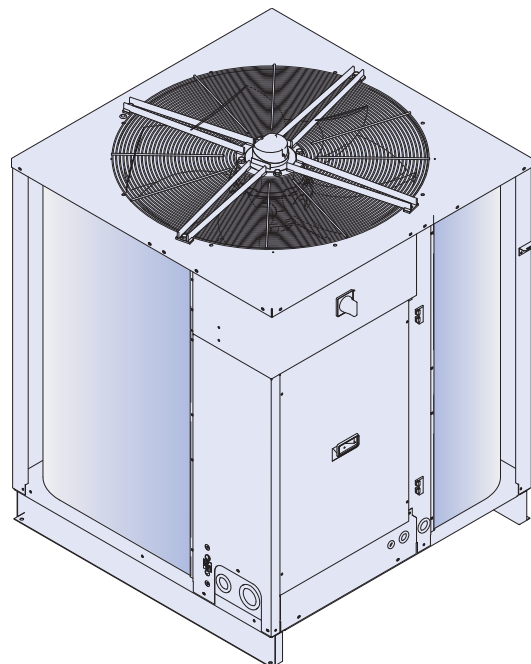
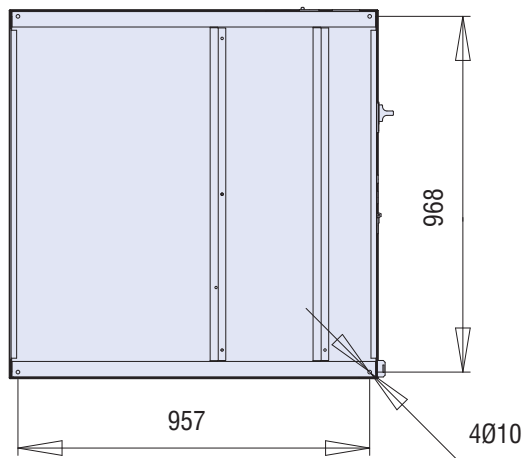
### Vibration isolator fixing points Bottom view



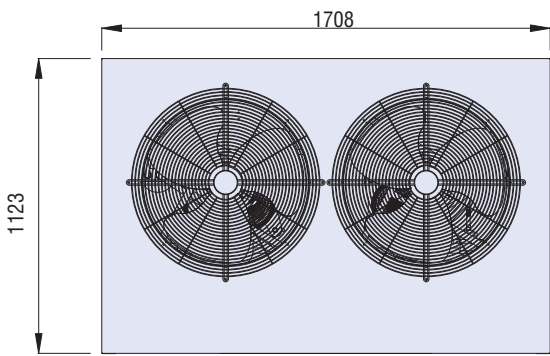
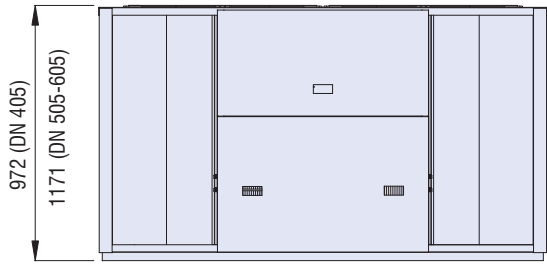
## Dimensions (mm) - DN 405M



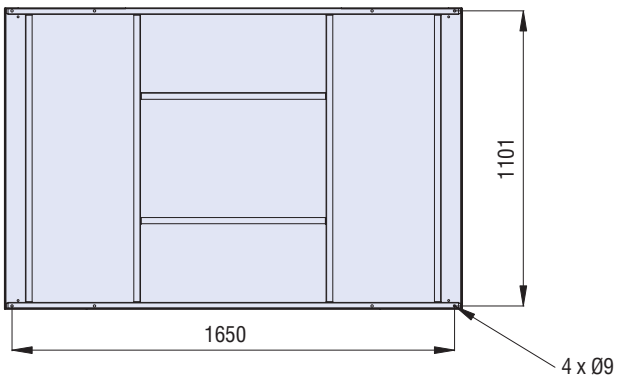
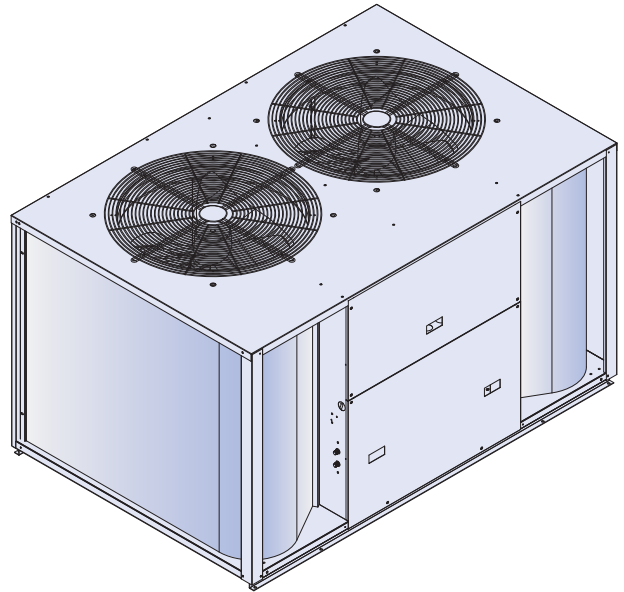
**Vibration isolator fixing points**  
**Bottom view**



# Dimensions (mm) - DN 405, 505, 605

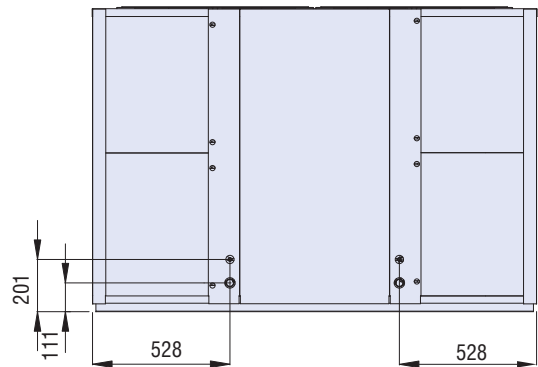
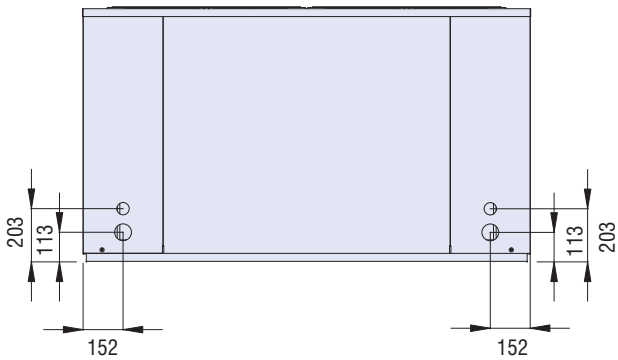


Vibration isolator fixing points  
Bottom view

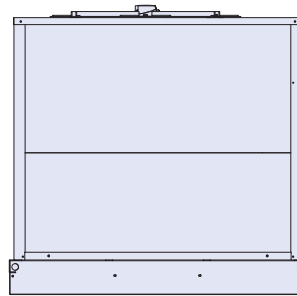
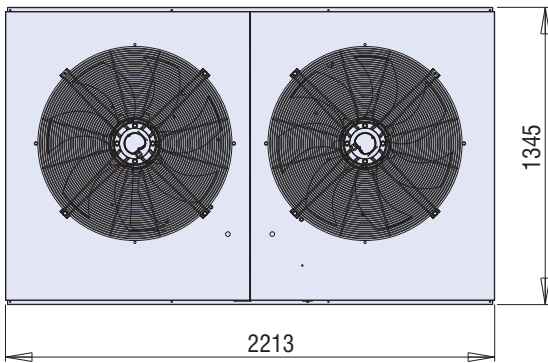
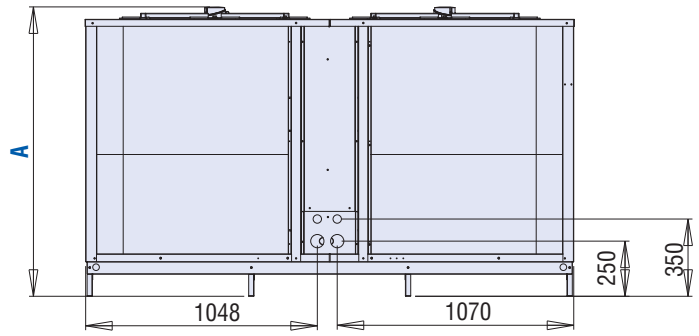
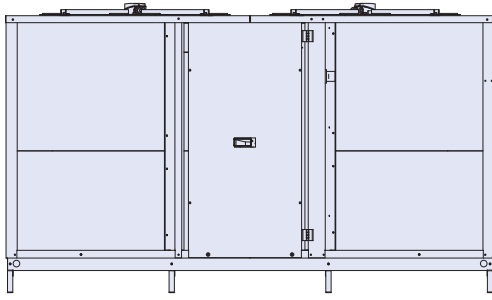


DN 405

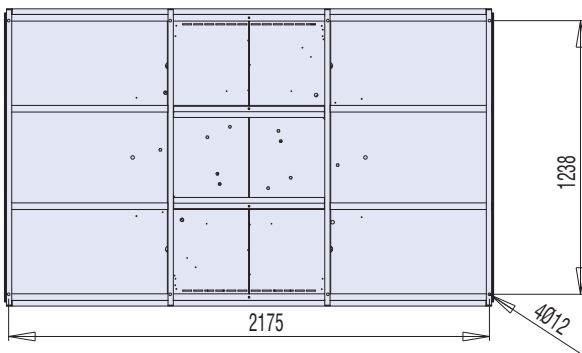
DN 505, 605



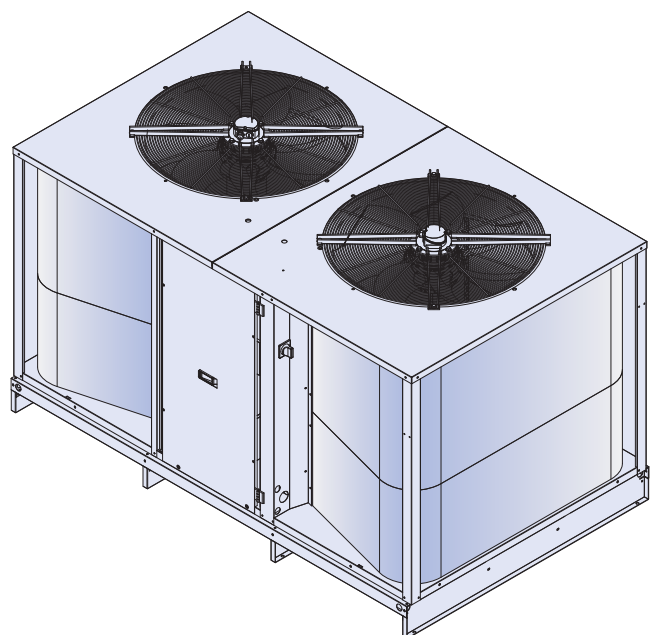
## Dimensions (mm) - DN 755, 905



**Vibration isolator fixing points  
Bottom view**

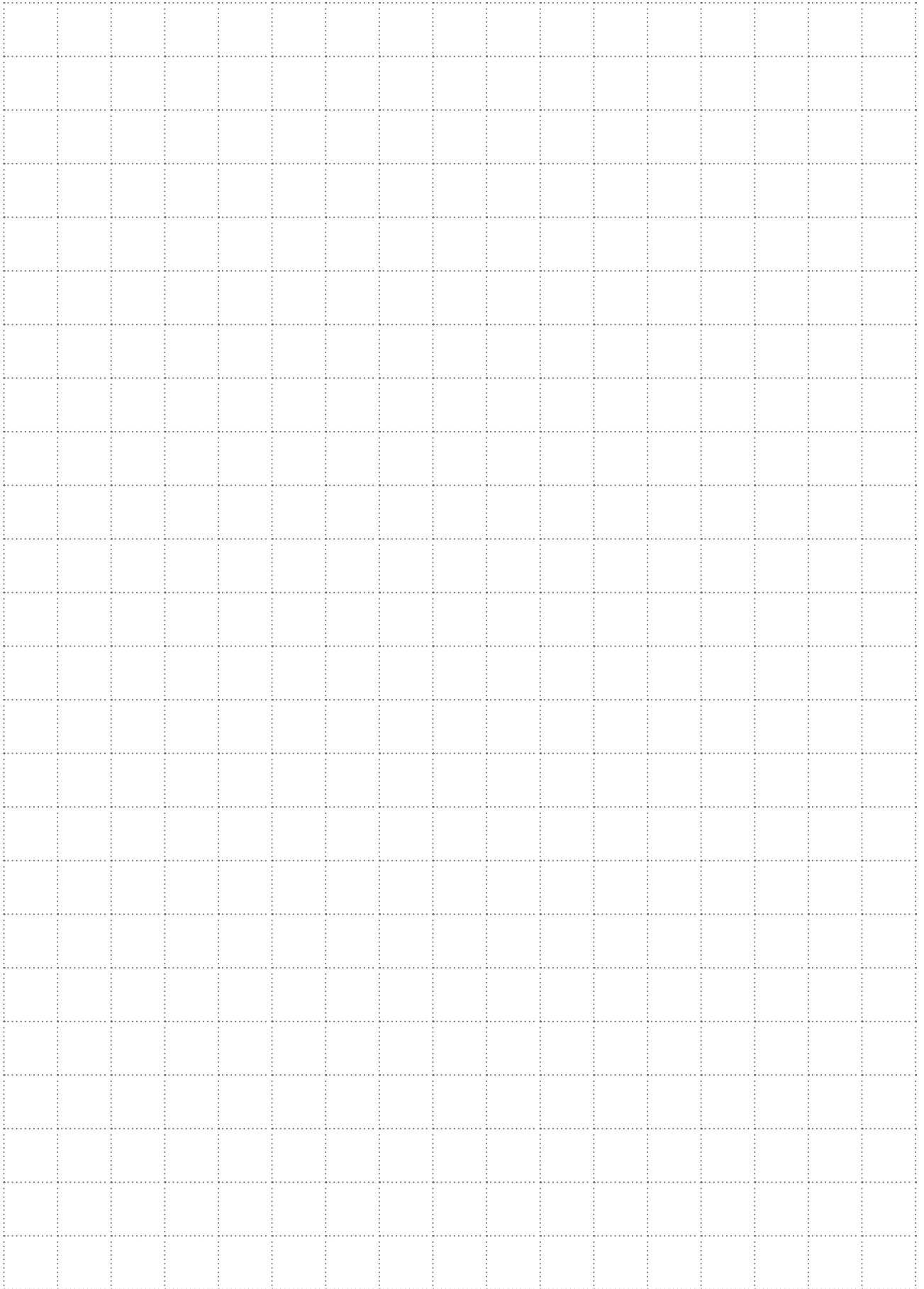


DN	755	905
A	1309	1459





# Notes





**AIRWELL France SAS**  
1bis, Avenue du 8 mai 1945  
Saint Quentin en Yvelines  
78284 GUYANCOURT  
France  
Tel. +33 (0) 01 39 44 78 00  
Fax +33 (0) 01 39 44 65 17

Ref. : EDM DKDN-A.3GB/09.10 - Supersedes : EDM DKDN-A.2GB/06.05

*As part of our ongoing product improvement programme, our products are subject to change without prior notice. Non contractual photos.*