

*“Cassette” type water terminal unit
for indoor installation*

ELFOSpace BOX3

CFK 007.0 ÷ 041.0 RANGE

TECHNICAL BULLETIN



NOMINAL COOLING CAPACITY FROM 2,98 TO 11,19 kW

NOMINAL HEATING CAPACITY FROM 2,61 TO 10,07 kW

Terminal unit Clivet

The hydronic terminal units are very diffused for their versatility and reliability. The Clivet range includes many versions that simplify the application in different types of installation and building.

	Commercial			
	ELFOspace	ELFODuct MP ELFODuct HP	ELFOspace BOX3	ELFOspace WALL3
Capacities (A27/W7)	1,5 ÷ 11 kW	6 ÷ 25 kW	3 ÷ 11 kW	2 ÷ 4,5 kW
Vertical cased				
Horizontal cased				
Vertical uncased				
Horizontal uncased				
2 pipes	✓	✓	✓	✓
4 pipes	✓	✓	✓	
DC Motor	✓	✓	✓	✓
High head		✓		
RS485 Connection	✓	✓	✓	✓

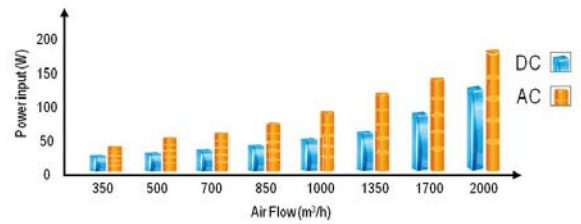
New 3rd generation fan coil Clivet

High energy efficiency with standard DC brushless motor

The new ventilation fan coils with DC brushless motor of the series, characterized by an advanced high efficiency, provide low levels of noise and precision of the temperature control technology. They are well suited to applications such as hospitals, offices, hotels, airports and many other applications in commercial and industrial applications.



The fan-coils having DC motor reduce the electric input up to 60%, compared to the equipped with asynchronous motor.



Silent operation

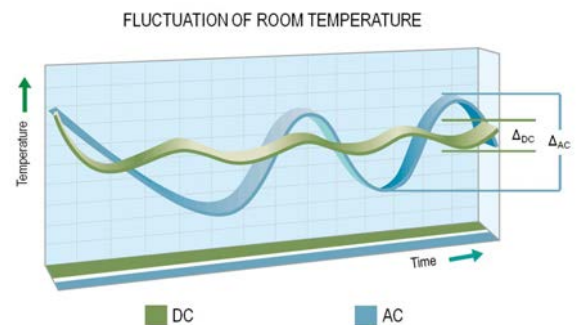
The particular construction features, in addition to increasing the efficiency of the unit, minimize the noise level and make it very noiseless.

The fan-coil noise level when equipped with DC Brushless fan motor is 2÷5 dB(A) less than an AC motor, making the ambient really more comfortable.



Better control of the air temperature and humidity

The DC brushless motors regulate the air flow rate moment by moment according to the thermal load, ensuring less temperature fluctuations and an improved comfort.



DC Brushless

The motor is in a fully closed structure thereby ensuring high operating efficiency and high durability.

The motor bearing, easy maintenance, can operate up to 80,000 hours continuously.



Main features of standard unit

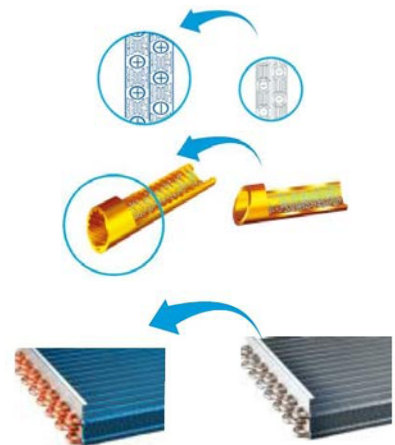
High-performance heat exchangers

The new fins design is thought to increase the exchange surface, reducing the air resistance, reducing waste and improving energy performances.

The inner threaded copper tubes optimizes the efficiency of heat exchange.

The fins hydrophilic coating increase the heat exchanger operating life, improving longevity and corrosion resistance

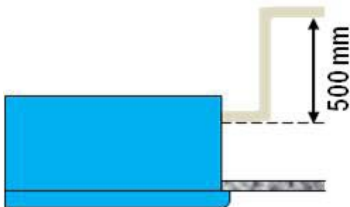
Having 2 rows in the configuration for 2 pipes installation, and 2 or 3 rows in the 4 pipes installation.



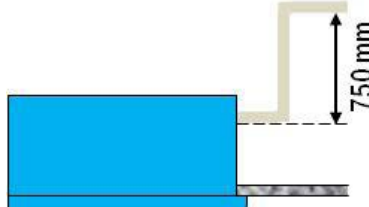
Condensate drain pump, built-in

To ensure the optimal condensate drain, the standard unit is equipped with condensation drain pump having available head 500mmwc in 600x600 modules (sizes 007.0 ÷ 015.0) and 750mmwc in 800x800 modules (sizes 021.0 ÷ 041.0).

Size 007.0 ÷ 015.0



Size 021.0 ÷ 041.0



Infrared standar control

The R05 infrared remote control allows to remotely manage the unit through a receiver placed on the air supply and return ceiling.

Features:

- Backlit

Functions:

- On/Off
- Operation selection: Auto, Heating, Cooling, Dehumidification, Ventilation
- Set the fan speed (MIN - MED - MAX or AUTO)
- Temperature setting (temperature range selectable: 17~30°C)
- Timer setting
- Setting of deflectors position (swing)



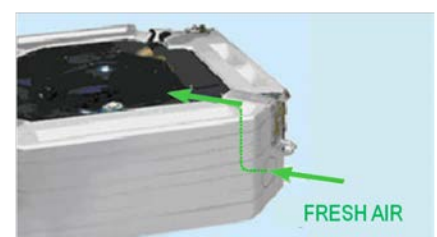
Filtration

Synthetic washable filter class G2 (EU2), easily accessible for maintenance.

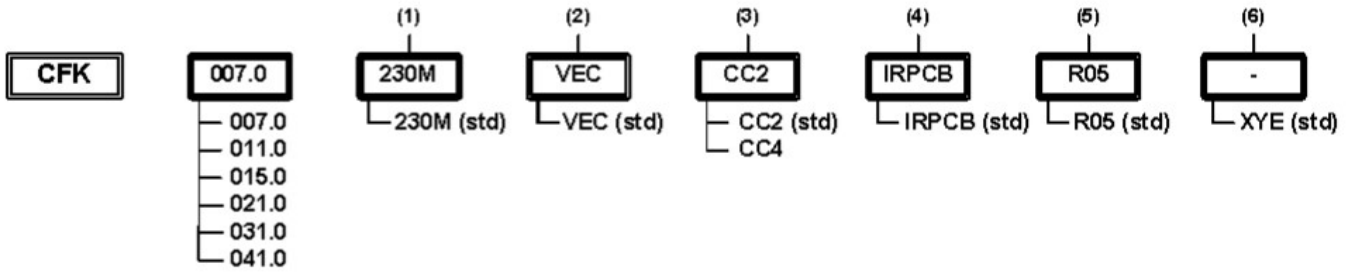
Primary air inlet and air distribution in adjacent rooms

Arrangement for primary air into the ambient through a precut.

Having specific precuts positioned on the sides of the unit, it is also possible enter the air in adjacent rooms or at greater distances.



Configuration Unit



(1) Voltage

- 230M - Supply voltage 230V/1Ph/50Hz (standard)

(2) Fans

- VEC - High efficiency DC Brushless fan (standard)

(3) Coil configuration

- CC2 - Coil configuration for 2-pipe system (standard)
- CC4 - Coil configuration for 4-pipe system

(4) Electronic version

- IRPCB - Electronics with infrared remote control (standard)

(5) Control

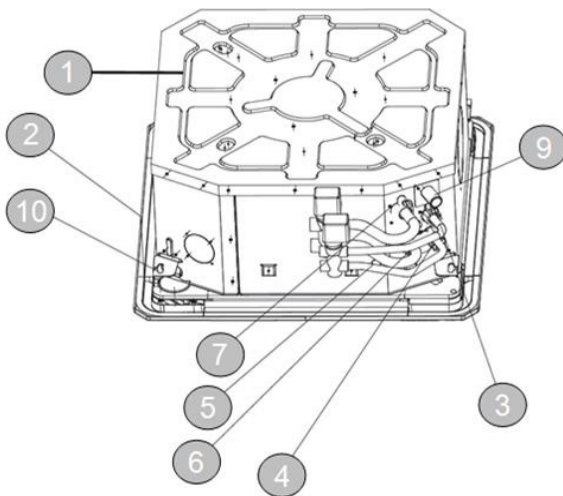
- R05 - R05 infrared remote control

(6) Communication module

- XYE - XYE communication port (standard)

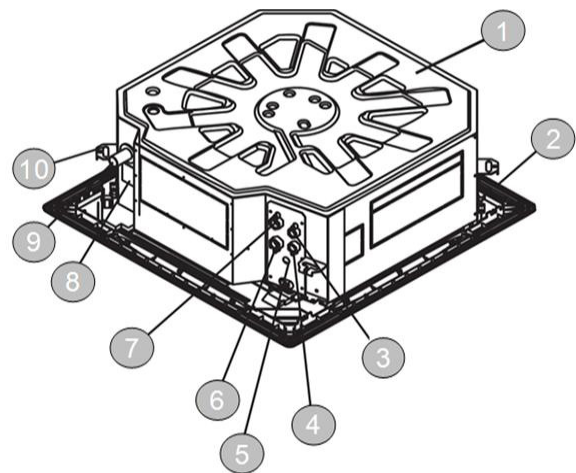
Description Unit

Size 007.0 ÷ 015.0 (module 600x600)



- (1) Main structure
- (2) Air return and supply ceiling
- (3) Additional coil water outlet (4-pipe system)
- (4) Additional coil water inlet (4-pipe system)
- (5) Valve condensate collection tray fixing holes

Size 021.0 ÷ 041.0 (module 800x800)



- (6) Water inlet (main coil)
- (7) Water outlet (main coil)
- (8) Inspection panel of the condensate discharge pump
- (9) Drain pipe
- (10) Ceiling fixing hook

External appearance

Size 007.0 ÷ 015.0 (module 600x600)



CC2 - 2-pipe system



CC4 - 4-pipe system

Size 021.0 ÷ 041.0 (module 800x800)



CC2 - 2-pipe system



CC4 - 4-pipe system

Standard unit technical specifications

Structure

In galvanized sheet metal with internal thermal insulation (high-density expanded polystyrene) and an anti-condensation barrier on the external panel.

Internal exchanger

It is composed of copper pipes and aluminium fins, with hydrophilic coating, fastened to tube with a process of mechanical expansion and suitably shaped. The batteries are with 2 rows for 2 pipe models and 2 or 3 rows for 4 pipe models.

The heat exchanger is not suitable for use in corrosive atmosphere or in environments where aluminium may be subject to corrosion.

Fan

The fan-motor assembly, hung on anti-vibration devices, is especially quiet. The radial fan with single intake is designed to optimize improvement using wing-profile rotor blades with a special shape that reduces turbulence, increasing efficiency and reducing noise. The fans are coupled to a single-speed electric motor, driven by the continuous magnetic switching of the stator, with built-in thermal overload protection. The brushless technology and the special supply increase both the life expectancy and the efficiency. The units use 3 preset speeds with the possibility, during system adjustment, to modify them.

Filtration

Washable renewable synthetic filter, G2 class (EU2), easily accessible.

Condensate drain

In high-density expanded polystyrene, with preformed air passages suitably shaped to allow passage of air. To ensure optimal runoff of condensation, the unit is standard equipped with a centrifugal condensation drain pump with static pressure of 500mm for 600x600 modules and 750mm for 800x800 models. It is controlled directly by the electronic card to which is connected a float system to control the condensation and alarm level.

Electrical panel

Electrical panel inside the unit with a complete accessibility from below for an easy maintenance.

Standard infrared remote control to manage the unit remotely through a receiver placed in the air supply and return ceiling.

The unit is equipped with XYE communication port standards.

- remote ON/OFF control
- Remoting of cumulative alarm

Configuration options

- 230M - Supply voltage 230V/1Ph/50Hz (standard)
- VEC - High efficiency DC Brushless fan (standard)
- CC2 - Coil configuration for 2-pipe system (standard)
- CC4 - Coil configuration for 4-pipe system
- IRPCB - Electronics for control with infrared remote control (standard)
- R05 - Infrared remote control R05
- XYE - XYE communication port (standard)

Accessories separately supplied

- 360PX - Air return and supply frame with supply at 360° (mandatory accessory)
- 3V2X - Three-way valve kit for 2-pipe system type "on/off"
- 3V4X - Three-way valve kit for 4-pipe system type "on/off"
- DTX - Auxiliary condensate collection tray
- KJR90X - Electronic room control for wall installation
- KJR150X - Indoor units' group controller
- 0-10VX Accessory for the 0-10V input management
- CCM30BX - Touch-key indoor units' centralized controller (with cover plate)
- CCM08X - BACnet protocol
- CMM18X - Modbus protocol for up to 64 fancoil units
- CCM18UX - Modbus protocol for up to 16 fancoil units
- LONGWX - LowWorks protocol

Accessories standard supplied

Accessory	Picture	Description	Quantity	
			007.0÷015.0	021.0÷041.0
Installation and operating manual		Installation and operating guide	1	1
Control Manual		Control Manual	1	1
Pattern for installation		Pattern for installation	1	1
Bolt M6		Bolt M6	-	4
Pipes and fittings		Tubing insulating and sound insulating	2	2
Water connection for draining the condensate		Drain pipe	1	1
		Tubing insulating and sound insulating for the drain pipe	-	1
		Fastening collar	1	1
		Ties	5	5
Infrared remote control		Infrared remote control R05	1	1
		Pocket for remote control for wall installation	1	1
		Fixing screws	2	2
		Remote control batteries	2	2

General technical data - CC2 (2-pipe system)

Size	007.0			011.0			015.0			021.0			031.0			041.0				
Fan Speed	H	M	L	H	M	L	H	M	L	H	M	L	H	M	L	H	M	L		
Air flow	[m³/h]	535	429	322	719	561	448	781	611	494	1175	987	768	1581	1371	1236	1871	1415	1198	
Cooling Performance																				
Total cooling capacity	(1)	[kW]	2,98	2,53	2,00	3,96	3,26	2,76	4,20	3,48	3,01	5,93	5,30	4,40	7,87	7,12	6,67	11,19	8,82	7,48
Sensible cooling capacity	(1)	[kW]	2,49	2,08	1,59	3,20	2,57	2,10	3,45	2,74	2,31	5,00	4,34	3,52	6,68	5,95	5,50	9,04	7,03	5,97
Water flow rate	(1)	[l/h]	530	450	350	700	580	510	750	610	540	1050	920	770	1440	1280	1220	1960	1530	1280
Water pressure drop	(1)	[kPa]	10,00	7,00	5,00	11,48	8,20	6,54	12,32	8,62	7,40	19,20	15,40	11,00	22,30	18,10	16,30	36,60	22,70	16,40
Heating Performance																				
Heating capacity (45°)	(2)	[kW]	2,61	2,89	2,24	4,63	3,79	3,10	4,95	3,99	3,26	6,06	6,35	5,32	9,16	8,54	7,90	10,07	10,08	8,68
Water flow rate	(2)	[l/h]	640	540	420	830	670	560	870	700	580	1300	1140	1130	1730	1570	1460	2350	1860	1590
Water pressure drop	(2)	[kPa]	12,10	8,50	5,30	9,20	8,60	6,00	9,40	8,23	6,10	25,90	20,10	19,90	28,80	24,00	20,70	49,20	31,20	23,30
Heating capacity (65°)	(3)	[kW]	5,57	5,19	4,07	8,04	6,59	5,54	8,67	7,15	5,96	10,87	10,49	8,74	15,81	14,52	13,49	19,47	17,01	14,77
Water flow rate	(3)	[l/h]	490	450	360	700	580	480	760	620	520	950	920	760	1380	1270	1180	1700	1480	1290
Water pressure drop	(3)	[kPa]	7,52	6,34	3,93	7,15	6,32	4,86	7,06	6,20	4,38	19,01	17,34	16,87	22,82	19,40	16,80	33,96	24,98	18,45
Sound level																				
Sound pressure level	(4)	[dB(A)]	39	33	27	42	36	30	43	38	32	43	39	33	48	44	41	49	43	39
Sound power level	(4)	[dB(A)]	51	45	39	54	48	42	55	50	44	55	51	45	60	56	53	61	55	51
Fan motor																				
Type		[-]	DC			DC			DC			DC			DC			DC		
Quantity		[Nr]	1			1			1			1			1			1		
Brand		[-]	Panasonic			Panasonic			Panasonic			Panasonic			Panasonic			Panasonic		
Model		[-]	WZDK37-38G			WZDK37-38G			WZDK37-38G			WZDK80-38G			WZDK90-38G			WZDK90-38G		
Fan																				
Type	(5)	[-]	RAD			RAD			RAD			RAD			RAD			RAD		
Quantity		[Nr]	1			1			1			1			1			1		
Coil																				
Row		[Nr]	2			2			2			2			2			2		
Coil (length x leight)		[mm]	1315 x 210			1315 x 210			1315 x 210			1960 x 168			1960 x 252			1960 x 252		
Circuits		[Nr]	5			6			7			8			12			12		
Max. working pressure		[MPa]	1,6			1,6			1,6			1,6			1,6			1,6		
Pipe connections																				
Water inlet		["]	G3/4"			G3/4"			G3/4"			RC3/4"			RC3/4"			RC3/4"		
Water outlet		["]	G3/4"			G3/4"			G3/4"			RC3/4"			RC3/4"			RC3/4"		
Drain pipe	(6)	[mm]	Ø25mm			Ø25mm			Ø25mm			Ø32mm			Ø32mm			Ø32mm		

The Product is compliant with the Erp (Energy Related Products) European Directive. It includes the Commission delegated Regulation (EU) No 2016/2281, also known as Ecodesign Lot21.

H = High

M = Medium

L = Low

(1) Cooling: Exchanger inlet water 7°C (temperature differential 5°C)

Ambient air 27°C D.B. / 19°C W.B

(2) Heating: Exchanger inlet water 45°C (temperature differential 5°C)

Ambient air 20°C D.B

(3) Heating: Exchanger inlet water 65°C (temperature differential 10°C)

Ambient air 20°C D.B.

(4) Sound levels tested in an anechoic chamber. The sound pressure level refers to a distance of 1 m from the outer surface of the unit operating in an open field.

(5) RAD = Radial fan

(6) External diameter

Electrical data - CC2 (2-pipe system)

Size	007.0			011.0			015.0			021.0			031.0			041.0			
Fan speed	H	M	L	H	M	L	H	M	L	H	M	L	H	M	L	H	M	L	
Electrical data																			
Power supply	[V/Ph/Hz]	220-240/1/50			220-240/1/50			220-240/1/50			220-240/1/50			220-240/1/50			220-240/1/50		
Power input	[W]	15,0	9,0	5,0	28,0	15,0	19,0	43,0	28,0	21,0	41,0	27,0	17,0	85,0	59,0	45,0	126,0	58,0	39,0
F.L.A. - Full load current at max admissible conditions	[A]	0,21			0,32			0,36			0,40			0,80			1,10		

H = High

M = Medium

L = Low

- Cooling: Exchanger inlet water 7°C (temperature differential 5°C)

Ambient air 27°C D.B. / 19°C W.B

- Heating: Exchanger inlet water 45°C (temperature differential 5°C)

Ambient air 20°C D.B

- Heating: Exchanger inlet water 65°C (temperature differential 10°C)

Ambient air 20°C D.B.

General technical data - CC4 (4-pipe system)

Size		007.0			011.0			015.0			021.0			031.0			041.0		
Fan Speed		H	M	L	H	M	L	H	M	L	H	M	L	H	M	L	H	M	L
Air flow	[m³/h]	536	429	321	727	569	451	731	572	462	1287	1084	851	1785	1545	1397	1857	1410	1191
Cooling Performance																			
Total cooling capacity	(1) [kW]	2,40	2,08	1,65	3,08	2,64	2,28	3,05	2,62	2,30	5,36	4,81	4,00	8,75	7,97	7,40	8,76	7,29	6,45
Sensible cooling capacity	(1) [kW]	2,08	1,78	1,39	2,69	2,24	1,88	2,61	2,21	1,90	4,66	4,17	3,42	7,51	6,74	6,18	7,70	6,20	5,40
Water flow rate	(1) [l/h]	420	360	290	560	480	410	540	470	400	990	870	720	1570	1430	1310	1580	1300	1150
Water pressure drop	(1) [kPa]	17,40	13,50	9,30	13,15	9,40	7,00	16,80	13,10	10,30	14,80	11,50	8,10	33,90	30,00	24,00	33,00	22,60	17,70
Heating Performance																			
Heating capacity (45°)	(2) [kW]	2,65	2,01	1,61	3,18	2,29	1,94	3,13	2,18	1,86	4,40	3,76	3,17	6,29	5,50	5,17	6,55	5,16	4,65
Water flow rate	(2) [l/h]	460	350	280	550	400	340	540	380	320	760	650	550	1090	950	900	1140	900	810
Water pressure drop	(2) [kPa]	25,60	15,29	10,29	30,60	16,28	11,45	43,68	20,91	15,15	26,69	19,81	13,38	62,60	49,03	43,04	74,37	42,77	35,06
Heating capacity (65°)	(3) [kW]	4,24	2,86	2,25	5,52	3,53	2,98	5,97	3,66	3,09	7,38	6,06	5,09	11,70	9,88	9,27	12,29	9,17	8,24
Water flow rate	(3) [l/h]	320	270	210	360	310	270	390	330	280	610	550	470	960	890	840	990	830	760
Water pressure drop	(3) [kPa]	23,50	17,10	11,30	24,14	17,90	13,10	26,80	19,20	14,50	25,30	20,50	14,50	42,40	36,60	32,60	48,70	32,50	27,00
Sound level																			
Sound pressure level	(4) [dB(A)]	39	33	27	42	35	30	44	39	31	42	37	31	48	44	42	49	43	38
Sound power level	(4) [dB(A)]	51	45	39	54	47	42	56	51	43	54	49	43	60	56	54	61	55	50
Fan motor																			
Type	[-]	DC			DC			DC			DC			DC			DC		
Quantity	[Nr]	1			1			1			1			1			1		
Brand	[-]	Panasonic			Panasonic			Panasonic			Panasonic			Panasonic			Panasonic		
Model	[-]	WZDK37-38G			WZDK37-38G			WZDK37-38G			WZDK90-38G			WZDK90-38G			WZDK90-38G		
Fan																			
Type	[-]	RAD			RAD			RAD			RAD			RAD			RAD		
Quantity	[Nr]	1			1			1			1			1			1		
Coil																			
Row	[Nr]	2			2			2			2			3			3		
Coil (length x leight)	[mm]	1315 x 210			1315 x 210			1315 x 210			1990 x 252			2050 x 252			2080 x 252		
Circuits in cooling	[Nr]	3			4			4			9			14			14		
Circuits in heating	[Nr]	3			3			3			3			4			4		
Max. working pressure	[MPa]	1,6			1,6			1,6			1,6			1,6			1,6		
Pipe connections																			
Water inlet in cooling	["]	G3/4			G3/4			G3/4			RC3/4			RC3/4			RC3/4		
Water inlet in heating	["]	G1/2			G1/2			G1/2			RC1/2			RC1/2			RC1/2		
Water outlet in cooling	["]	G3/4			G3/4			G3/4			RC3/4			RC3/4			RC3/4		
Water outlet in heating	["]	G1/2			G1/2			G1/2			RC1/2			RC1/2			RC1/2		
Drain pipe	[mm]	Ø25mm			Ø25mm			Ø25mm			Ø32mm			Ø32mm			Ø32mm		

The Product is compliant with the Erp (Energy Related Products) European Directive. It includes the Commission delegated Regulation (EU) No 2016/2281, also known as Ecodesign Lot21.

H = High

M = Medium

L = Low

(1) Cooling: Exchanger inlet water 7°C (temperature differential 5°C)

Ambient air 27°C D.B. / 19°C W.B

(2) Heating: Exchanger inlet water 45°C (temperature differential 5°C)

Ambient air 20°C D.B

(3) Heating: Exchanger inlet water 65°C (temperature differential 10°C)

Ambient air 20°C D.B.

(4) Sound levels tested in an anechoic chamber. The sound pressure level refers to a distance of 1 m from the outer surface of the unit operating in an open field.

(5) RAD = Radial fan

(6) External diameter

Electrical data - CC4 (4-pipe system)

Size		007.0			011.0			015.0			021.0			031.0			041.0		
Fan speed		H	M	L	H	M	L	H	M	L	H	M	L	H	M	L	H	M	L
Electrical data																			
Power supply	[V/Ph/Hz]	220-240/1/50			220-240/1/50			220-240/1/50			220-240/1/50			220-240/1/50			220-240/1/50		
Power input	[W]	14,0	9,0	5,0	37,0	24,0	19,0	32,0	17,0	11,0	50,0	33,0	19,0	107,0	71,0	54,0	125,0	58,0	38,0
F.L.A. - Full load current at max admissible conditions	[A]	0,21			0,32			0,36			0,50			0,90			1,30		

H = High

M = Medium

L = Low

- Cooling: Exchanger inlet water 7°C (temperature differential 5°C)

Ambient air 27°C D.B. / 19°C W.B

- Heating: Exchanger inlet water 45°C (temperature differential 5°C)

Ambient air 20°C D.B

- Heating: Exchanger inlet water 65°C (temperature differential 10°C)

Ambient air 20°C D.B.

Operating limits

CC2 - 2-pipe system

Size		007.0	011.0	015.0	021.0	031.0	041.0	
Maximum water inlet temperature	[°C]	80	80	80	80	80	80	
Minimum water inlet temperature	[°C]	3	3	3	3	3	3	
Maximum operating pressure	[bar]	16	16	16	16	16	16	
Maximum water flow rate	Cooling	[l/h]	674	878	947	1248	1567	2379
	Heating	[l/h]	674	878	947	1248	1567	2379
Minimum water flow rate	Cooling	[l/h]	363	473	510	672	844	1281
	Heating	[l/h]	363	473	510	672	844	1281
Maximum inlet air temperature Ta (W.B.)	Cooling	[°C]	40	40	40	40	40	40
Minimum inlet air temperature Ta (W.B.)	Cooling	[°C]	3	3	3	3	3	3
Maximum inlet air temperature Ta (D.B.)	Heating	[°C]	40	40	40	40	40	40
Minimum inlet air temperature Ta (D.B.)	Heating	[°C]	3	3	3	3	3	3
Relative humidity limits in the room	R.H.	20% < R.H. < 100%	20% < R.H. < 100%	20% < R.H. < 100%	20% < R.H. < 100%	20% < R.H. < 100%	20% < R.H. < 100%	

- Cooling: Exchanger inlet water 7°C (temperature differential 5°C)

Aria ambiente 27°C D.B. / 19°C W.B.

- Heating: Exchanger inlet water 45°C (temperature differential 5°C)

Aria ambiente 20°C D.B.

- Heating: Exchanger inlet water 65°C (temperature differential 10°C)

Ambient air 20°C D.B.

CC2 - 4-pipe system

Size		007.0	011.0	015.0	021.0	031.0	041.0	
Maximum water inlet temperature	[°C]	80	80	80	80	80	80	
Minimum water inlet temperature	[°C]	3	3	3	3	3	3	
Maximum operating pressure	[bar]	16	16	16	16	16	16	
Maximum water flow rate	Cooling	[l/h]	534	643	725	1105	2016	2048
	Heating	[l/h]	438	529	551	798	1264	1328
Minimum water flow rate	Cooling	[l/h]	287	346	390	595	1085	1103
	Heating	[l/h]	235	284	396	429	681	715
Maximum inlet air temperature Ta (W.B.)	Cooling	[°C]	40	40	40	40	40	40
Minimum inlet air temperature Ta (W.B.)	Cooling	[°C]	3	3	3	3	3	3
Maximum inlet air temperature Ta (D.B.)	Heating	[°C]	40	40	40	40	40	40
Minimum inlet air temperature Ta (D.B.)	Heating	[°C]	3	3	3	3	3	3
Relative humidity limits in the room	R.H.	20% < R.H. < 100%	20% < R.H. < 100%	20% < R.H. < 100%	20% < R.H. < 100%	20% < R.H. < 100%	20% < R.H. < 100%	

- Cooling: Exchanger inlet water 7°C (temperature differential 5°C)

Aria ambiente 27°C D.B. / 19°C W.B.

- Heating: Exchanger inlet water 45°C (temperature differential 5°C)

Aria ambiente 20°C D.B.

- Heating: Exchanger inlet water 65°C (temperature differential 10°C)

Ambient air 20°C D.B.

Water content

Serie	CFK 007.0	CFK 011.0	CFK 015.0	CFK 021.0	CFK 031.0	CFK 041.0	CFK 007.0	CFK 011.0	CFK 015.0	CFK 021.0	CFK 031.0	CFK 041.0
Version	2-pipe	2-pipe	2-pipe	2-pipe	2-pipe	2-pipe	4-pipe	4-pipe	4-pipe	4-pipe	4-pipe	4-pipe
Water content [l]	0,810	0,810	1,020	1,810	2,780	2,780	0,810	0,810	1,020	1,810	2,780	2,780

Sound levels

CC2 - 2-pipe system

HIGH SPEED										
Size	Sound power level (dB)								Sound pressure level (at 1 meter)	Sound power level
	Octave band (Hz)									
	63	125	250	500	1000	2000	4000	8000	dB(A)	dB(A)
007.0	35,7	38,5	38,3	36,8	30,6	24,9	17,5	15,2	39	51
011.0	37,8	42,4	40,3	39,1	32,9	27,2	21,3	19,6	42	54
015.0	39,7	45,1	42,4	40,6	34,8	29,8	23,5	22,4	43	55
021.0	38,3	41,2	42,9	39,9	33,1	27,6	19,6	16,8	43	55
031.0	42,5	48,4	47,3	42,6	39,8	32,2	25,4	22,8	48	60
041.0	42,8	49,3	47,9	43,8	40,8	32,7	27,2	23,2	49	61

MEDIUM SPEED										
Size	Sound power level (dB)								Sound pressure level (at 1 meter)	Sound power level
	Octave band (Hz)									
	63	125	250	500	1000	2000	4000	8000	dB(A)	dB(A)
007.0	34,1	35,6	36,7	31,7	27,5	20,7	15,7	14,2	33	45
011.0	36,5	38,1	38,7	34,2	30,2	22,9	19,4	17,7	36	48
015.0	38,3	40,3	39,6	36,1	31,6	24,2	21,2	18,9	38	50
021.0	37,3	39,5	38,9	37,2	30,7	25,7	17,5	14,7	39	51
031.0	41,1	45,9	44,2	40,2	34,7	30,1	22,1	20,7	44	56
041.0	41,1	44,1	43,5	39,8	34,5	28,8	21,4	20,6	43	55

LOW SPEED										
Size	Sound power level (dB)								Sound pressure level (at 1 meter)	Sound power level
	Octave band (Hz)									
	63	125	250	500	1000	2000	4000	8000	dB(A)	dB(A)
007.0	30,5	31,5	29,1	26,7	21,7	18,1	15,1	13,5	27	39
011.0	32,8	34,2	32,6	30,3	24,3	20,7	17,8	16,4	30	42
015.0	33,7	35,5	34,2	31,8	26,6	21,9	18,8	17,8	32	44
021.0	33,7	35,4	34,7	31,2	23,5	21,4	16,2	12,3	33	45
031.0	39,7	41,5	40,7	37,1	30,2	27,6	20,2	19,2	41	53
041.0	38,3	40,3	39,5	36,3	29,4	26,2	18,3	18,8	39	51

-Sound levels tested in an anechoic chamber. The sound pressure level refers to a distance of 1 m from the outer surface of the unit operating in an open field.

Sound levels

CC4 - 4-pipe system

HIGH SPEED										
Size	Sound power level (dB)								Sound pressure level (at 1 meter)	Sound power level
	Octave band (Hz)									
	63	125	250	500	1000	2000	4000	8000	dB(A)	dB(A)
007.0	35,5	39,1	38,2	36,2	30,6	23,2	17,2	15,5	39	51
011.0	37,5	42,4	41,1	38,4	32,5	27,1	20,9	19,2	42	54
015.0	40,1	45,5	43,8	42,2	34,8	30,1	23,7	22,9	44	56
021.0	38,0	40,8	41,8	39,1	33,0	27,3	18,8	16,9	42	54
031.0	42,1	48,9	46,8	42,7	40,2	31,7	26,2	22,1	48	60
041.0	42,2	49,5	47,2	43,9	40,5	33,1	26,9	23,0	49	61

MEDIUM SPEED										
Size	Sound power level (dB)								Sound pressure level (at 1 meter)	Sound power level
	Octave band (Hz)									
	63	125	250	500	1000	2000	4000	8000	dB(A)	dB(A)
007.0	33,9	35,2	36,4	32,3	27,7	21,7	15,5	14,1	33	45
011.0	36,1	37,4	37,7	34,1	30,6	22,6	19,6	17,5	35	47
015.0	39,1	41,6	39,9	35,8	31,9	23,6	21,5	19,2	39	51
021.0	36,1	38,2	38,5	37,0	29,3	24,3	17,3	14,2	37	49
031.0	41,0	45,5	44,6	41,1	34,2	29,2	22,5	20,6	44	56
041.0	41,0	44,3	43,2	40,1	34,8	28,5	21,7	20,3	43	55

LOW SPEED										
Size	Sound power level (dB)								Sound pressure level (at 1 meter)	Sound power level
	Octave band (Hz)									
	63	125	250	500	1000	2000	4000	8000	dB(A)	dB(A)
007.0	30,3	30,9	29,5	26,2	20,9	18,0	14,3	13,5	27	39
011.0	32,4	34,1	31,9	30,5	24,7	21,1	18,2	16,3	30	42
015.0	33,2	35,1	34,3	31,4	25,2	21,2	17,9	17,5	31	43
021.0	32,2	34,1	33,4	31,0	23,1	20,8	16,1	11,7	31	43
031.0	40,1	41,9	40,7	38,1	31,2	28,1	20,6	19,6	42	54
041.0	37,5	40,1	39,3	35,8	28,9	26,4	18,5	18,1	38	50

-Sound levels tested in an anechoic chamber. The sound pressure level refers to a distance of 1 m from the outer surface of the unit operating in an open field.

Cooling performance

CC2 - 2-pipe system

007.0																											
EWT	ΔT	Ta (W.B.)	Ta (D.B.)																								
			21				23				25				27				29				30				
			TC	SC	WF	WDP	TC	SC	WF	WDP	TC	SC	WF	WDP	TC	SC	WF	WDP	TC	SC	WF	WDP	TC	SC	WF	WDP	
[°C]	[°C]	[°C]	[kW]	[kW]	[l/h]	[kPa]	[kW]	[kW]	[l/h]	[kPa]	[kW]	[kW]	[l/h]	[kPa]	[kW]	[kW]	[l/h]	[kPa]	[kW]	[kW]	[l/h]	[kPa]	[kW]	[kW]	[l/h]	[kPa]	
5	3	15	2,69	1,93	770	16,71	2,67	2,19	760	16,54	2,74	2,58	780	17,22	2,99	2,99	850	20,08	3,28	3,28	940	23,54	3,43	3,43	980	25,35	
		17	3,57	1,95	1020	27,17	3,55	2,22	1010	26,90	3,53	2,49	1010	26,63	3,51	2,75	1000	26,37	3,49	3,01	990	26,10	3,51	3,24	1000	26,44	
		19	4,51	1,98	1290	40,79	4,49	2,26	1280	40,39	4,46	2,53	1270	40,01	4,44	2,79	1270	39,62	4,41	3,05	1260	39,24	4,40	3,18	1260	39,05	
		21	-	-	-	-	5,50	2,29	1570	57,56	5,47	2,56	1560	57,02	5,45	2,83	1550	56,49	5,42	3,09	1540	55,97	5,40	3,23	1540	55,71	
		23	-	-	-	-	-	-	-	-	6,57	2,60	1870	78,33	6,53	2,87	1860	77,62	6,50	3,14	1850	76,92	6,48	3,27	1850	76,57	
	5	5	15	2,04	1,65	350	4,35	2,19	2,03	380	4,91	2,44	2,42	420	5,93	2,75	2,75	470	7,22	3,04	3,04	520	8,59	3,19	3,19	550	9,30
			17	2,96	1,69	510	8,18	2,94	1,96	500	8,09	2,92	2,22	500	8,00	2,93	2,54	500	8,06	3,08	2,92	530	8,78	3,20	3,12	550	9,35
			19	3,92	1,72	670	13,25	3,90	2,00	670	13,11	3,88	2,27	670	12,98	3,86	2,53	660	12,85	3,83	2,80	660	12,72	3,82	2,93	660	12,65
			21	-	-	-	-	4,93	2,04	850	19,57	4,90	2,31	840	19,38	4,87	2,58	840	19,19	4,85	2,84	830	19,01	4,83	2,97	830	18,92
			23	-	-	-	-	-	-	-	-	6,00	2,35	1030	27,48	5,97	2,62	1020	27,22	5,94	2,89	1020	26,97	5,92	3,02	1020	26,85
	7	7	15	1,26	1,26	150	0,81	1,80	1,80	220	1,28	2,15	2,15	260	2,25	2,47	2,47	300	3,27	2,78	2,78	340	4,11	2,93	2,93	360	4,51
			17	2,26	1,44	530	2,68	2,18	1,66	270	2,36	2,30	2,01	530	2,75	2,54	2,41	310	3,49	2,78	2,75	340	4,13	2,93	2,93	360	4,52
			19	3,24	1,44	400	5,34	3,22	1,71	390	5,28	3,19	1,98	390	5,22	3,17	2,25	390	5,16	3,16	2,53	390	5,12	3,19	2,70	390	5,22
			21	-	-	-	-	4,28	1,77	530	8,59	4,26	2,04	520	8,50	4,23	2,31	520	8,41	4,21	2,57	520	8,33	4,19	2,71	510	8,28
			23	-	-	-	-	-	-	-	-	5,38	2,09	660	12,67	5,35	2,36	660	12,55	5,32	2,63	650	12,43	5,30	2,76	650	12,37
7	3	15	2,03	1,63	580	10,18	2,13	2,02	610	11,08	2,40	2,40	690	13,60	2,69	2,69	770	16,59	2,99	2,99	860	19,80	3,13	3,13	900	21,48	
		17	2,91	1,66	830	18,96	2,89	1,94	830	18,75	2,87	2,20	820	18,54	2,86	2,49	820	18,41	3,00	2,91	860	19,99	3,14	3,14	900	21,54	
		19	3,86	1,69	1110	30,82	3,84	1,97	1100	30,51	3,81	2,24	1090	30,20	3,79	2,50	1090	29,89	3,77	2,77	1080	29,58	3,76	2,90	1080	29,43	
		21	-	-	-	-	4,85	2,00	1390	45,87	4,83	2,28	1380	45,42	4,80	2,54	1370	44,98	4,77	2,81	1370	44,54	4,76	2,94	1360	44,33	
		23	-	-	-	-	-	-	-	-	5,92	2,31	1700	64,85	5,89	2,59	1690	64,24	5,86	2,85	1680	63,64	5,84	2,99	1670	63,34	
	5	5	15	1,53	1,45	260	2,33	1,83	1,83	310	3,56	2,14	2,14	370	4,67	2,45	2,45	420	5,84	2,74	2,74	470	7,10	2,89	2,89	500	7,76
			17	2,23	1,39	380	5,01	2,22	1,66	380	4,94	2,28	1,99	390	5,18	2,47	2,36	420	5,95	2,75	2,75	470	7,12	2,90	2,90	500	7,78
			19	3,22	1,43	550	9,33	3,20	1,71	550	9,22	3,18	1,98	550	9,12	2,98	2,49	530	10,00	3,14	2,50	540	8,92	3,15	2,67	530	8,96
			21	-	-	-	-	4,24	1,75	730	14,89	4,21	2,02	720	14,74	4,19	2,29	720	14,59	4,16	2,55	720	14,44	4,15	2,69	710	14,36
			23	-	-	-	-	-	-	-	-	5,32	2,06	910	22,00	5,29	2,34	910	21,79	5,26	2,60	900	21,58	5,24	2,74	900	21,48
	7	7	15	1,00	1,00	120	0,61	1,32	1,32	160	0,81	1,83	1,83	230	1,44	2,16	2,16	270	2,45	2,48	2,48	300	3,32	2,63	2,63	320	3,70
			17	1,61	1,31	530	1,12	1,69	1,53	530	1,27	1,84	1,79	230	1,46	2,17	2,16	270	2,46	2,48	2,48	300	3,33	2,64	2,64	320	3,71
			19	2,44	1,13	300	3,21	2,47	1,44	300	3,29	2,39	1,67	290	3,10	2,44	1,98	300	3,21	2,60	2,34	320	3,61	2,70	2,51	330	3,87
			21	-	-	-	-	3,53	1,47	430	6,10	3,51	1,74	430	6,03	3,49	2,01	430	5,96	3,46	2,28	430	5,89	3,45	2,41	420	5,86
			23	-	-	-	-	-	-	-	-	4,65	1,80	570	9,73	4,62	2,07	570	9,63	4,59	2,34	560	9,53	4,58	2,47	560	9,48
9	3	15	1,50	1,45	430	6,00	1,80	1,80	510	8,14	2,10	2,10	600	10,60	2,39	2,39	680	13,29	2,69	2,69	770	16,21	2,83	2,83	810	17,76	
		17	2,20	1,37	630	11,51	2,18	1,64	620	11,36	2,21	1,96	630	11,56	2,40	2,36	690	13,36	2,69	2,69	770	16,26	2,84	2,84	810	17,81	
		19	3,16	1,40	900	21,38	3,13	1,68	900	21,14	3,11	1,95	890	20,90	3,09	2,21	890	20,67	3,07	2,48	880	20,44	3,07	2,61	880	20,34	
		21	-	-	-	-	4,16	1,71	1190	34,41	4,13	1,99	1180	34,06	4,11	2,25	1170	33,70	4,08	2,52	1170	33,35	4,07	2,65	1160	33,18	
		23	-	-	-	-	-	-	-	-	5,23	2,03	1500	51,29	5,20	2,30	1490	50,79	5,17	2,56	1480	50,29	5,15	2,70	1470	50,04	
	5	5	15	1,17	1,17	200	1,05	1,52	1,52	260	2,40	1,84	1,84	320	3,53	2,14	2,14	370	4,60	2,45	2,45	420	5,74	2,59	2,59	450	6,34
			17	1,48	1,16	250	2,25	1,59	1,43	530	2,67	1,85	1,80	320	3,56	2,15	2,15	370	4,61	2,45	2,45	420	5,75	2,60	2,60	450	6,36
			19	2,46	1,13	420	5,77	2,44	1,41	420	5,69	2,42	1,68	420	5,62	2,42	1,97	420	5,62	2,55	2,32	440	6,14	2,65	2,50	450	6,55
			21	-	-	-	-	3,49	1,45	600	10,51	3,47	1,73	600	10,39	3,45	2,00	590	10,27	3,42	2,26	590	10,15	3,41	2,39	590	10,10
			23	-	-	-	-	-	-	-	-	4,58	1,77	790	16,75	4,55	2,05	780	16,57	4,53	2,31	780	16,40	4,51	2,45	780	16,32
	7	7	15	-	-	-	-	-	-	-	-	-	-	-	-	-	-	-	-	-	-	-	-	-	-	-	-
			17	0,77	0,76	90	0,44	1,00	1,00	120	0,58	1,47	1,47	180	0,86	1,86	1,86	230	1,62	2,18	2,18	270	2,56	2,33	2,33	290	2,95
			19	1,61	0,96	530	1,04	1,06	0,96	130	0,61	1,73	1,52	210	1,28	1,95	1,83	530	1,91	2,22	2,18	270	2,68	2,34	2,32	290	2,97
			21	-	-	-	-	2,69	1,16	330	3,78	2,67	1,43	330	3,73	2,65	1,70	330	3,68	2,64	1,98	320	3,65	2,67	2,14	330	3,73
			23	-	-	-	-	-	-	-	-	3,85	1,50	470	6,94	3,83	1,78	470	6,86	3,80	2,04	470	6,78	3,79	2,18	470	6,75

EWT = Exchanger water inlet temperature (°C)
 ΔT = Temperature differential (°C)
 Ta = Ambient temperature (°C)
 D.B. = Dry bulb
 W.B. = Wet bulb

TC = Total cooling capacity (kW)
 SC = Sensible cooling capacity (kW)
 WF = Water flow-rate (l/h)
 WDP = Exchanger pressure drops (kPa)

Cooling performance

CC2 - 2-pipe system

007.0																											
EWT	ΔT	Ta (W.B.)	Ta (D.B.)																								
			21				23				25				27				29				30				
			TC	SC	WF	WDP	TC	SC	WF	WDP	TC	SC	WF	WDP	TC	SC	WF	WDP	TC	SC	WF	WDP	TC	SC	WF	WDP	
[°C]	[°C]	[°C]	[kW]	[kW]	[l/h]	[kPa]	[kW]	[kW]	[l/h]	[kPa]	[kW]	[kW]	[l/h]	[kPa]	[kW]	[kW]	[l/h]	[kPa]	[kW]	[kW]	[l/h]	[kPa]	[kW]	[kW]	[l/h]	[kPa]	
11	3	15	1,18	1,18	340	3,94	1,49	1,49	430	5,84	1,79	1,79	510	8,00	2,09	2,09	600	10,41	2,39	2,39	680	13,06	2,53	2,53	730	14,46	
		17	1,42	1,07	410	5,38	1,54	1,42	440	6,15	1,80	1,80	510	8,03	2,10	2,10	600	10,44	2,39	2,39	690	13,10	2,54	2,54	730	14,51	
		19	2,39	1,11	690	13,12	2,38	1,38	680	12,95	2,36	1,65	680	12,78	2,34	1,92	670	12,63	2,45	2,29	700	13,61	2,55	2,49	730	14,65	
		21	-	-	-	-	3,40	1,42	980	24,04	3,38	1,69	970	23,77	3,36	1,96	960	23,50	3,34	2,23	960	23,23	3,33	2,36	950	23,10	
		23	-	-	-	-	-	-	-	-	4,48	1,73	1280	38,75	4,45	2,00	1280	38,34	4,43	2,27	1270	37,94	4,41	2,40	1260	37,74	
	5	15	-	-	-	-	-	-	-	-	-	-	-	-	-	-	-	-	-	-	-	-	-	-	-	-	-
		17	0,72	0,72	120	0,57	1,20	1,20	210	1,18	1,53	1,53	260	2,49	1,84	1,84	320	3,50	2,15	2,15	370	4,54	2,30	2,30	400	5,09	
		19	1,72	0,94	530	3,14	1,61	1,14	280	2,76	1,67	1,42	290	2,94	1,88	1,77	320	3,63	2,15	2,13	370	4,55	2,30	2,30	400	5,11	
		21	-	-	-	-	2,67	1,15	460	6,57	2,65	1,42	460	6,48	2,63	1,69	450	6,40	2,61	1,96	450	6,31	2,62	2,12	450	6,35	
		23	-	-	-	-	-	-	-	-	3,78	1,48	650	11,89	3,76	1,75	650	11,76	3,73	2,02	640	11,62	3,72	2,15	640	11,56	
	7	15	-	-	-	-	-	-	-	-	-	-	-	-	-	-	-	-	-	-	-	-	-	-	-	-	-
		17	-	-	-	-	-	-	-	-	-	-	-	-	-	-	-	-	-	-	-	-	-	-	-	-	-
		19	-	-	-	-	0,78	0,76	100	0,42	1,01	1,01	120	0,55	1,53	1,53	190	0,93	1,87	1,87	230	1,79	2,03	2,03	250	2,22	
		21	-	-	-	-	1,86	0,99	530	1,74	1,72	1,17	530	1,38	1,81	1,46	530	1,62	1,99	1,76	530	2,13	2,13	1,95	260	2,45	
		23	-	-	-	-	-	-	-	-	2,96	1,19	360	4,38	2,94	1,46	360	4,32	2,92	1,73	360	4,26	2,90	1,86	360	4,23	
13	3	15	-	-	-	-	-	-	-	-	-	-	-	-	-	-	-	-	-	-	-	-	-	-	-	-	
		17	0,86	0,85	250	2,21	1,18	1,18	340	3,89	1,49	1,49	430	5,76	1,79	1,79	510	7,89	2,09	2,09	600	10,26	2,24	2,24	640	11,54	
		19	1,61	0,84	460	6,59	1,54	1,08	440	6,11	1,60	1,40	460	6,48	1,80	1,76	520	7,98	2,09	2,09	600	10,29	2,24	2,24	640	11,57	
		21	-	-	-	-	2,59	1,12	740	14,81	2,57	1,39	740	14,61	2,55	1,66	730	14,42	2,53	1,93	730	14,23	2,52	2,06	720	14,15	
		23	-	-	-	-	-	-	-	-	3,68	1,44	1050	27,13	3,65	1,71	1050	26,82	3,63	1,98	1040	26,52	3,62	2,11	1040	26,36	
	5	15	-	-	-	-	-	-	-	-	-	-	-	-	-	-	-	-	-	-	-	-	-	-	-	-	-
		17	-	-	-	-	-	-	-	-	-	-	-	-	-	-	-	-	-	-	-	-	-	-	-	-	-
		19	-	-	-	-	0,72	0,72	120	0,54	1,21	1,19	210	1,34	1,54	1,54	260	2,52	1,85	1,85	320	3,47	2,00	2,00	340	3,97	
		21	-	-	-	-	1,91	0,96	330	3,65	1,73	1,10	530	3,09	1,77	1,41	310	3,22	1,95	1,75	340	3,78	2,06	1,92	350	4,15	
		23	-	-	-	-	-	-	-	-	2,91	1,17	500	7,48	2,89	1,44	500	7,38	2,86	1,71	490	7,28	2,85	1,84	490	7,23	
	7	15	-	-	-	-	-	-	-	-	-	-	-	-	-	-	-	-	-	-	-	-	-	-	-	-	-
		17	-	-	-	-	-	-	-	-	-	-	-	-	-	-	-	-	-	-	-	-	-	-	-	-	-
		19	-	-	-	-	-	-	-	-	-	-	-	-	-	-	-	-	-	-	-	-	-	-	-	-	-
		21	-	-	-	-	-	-	-	-	0,78	0,76	100	0,40	1,02	1,02	130	0,53	1,55	1,53	190	1,03	1,72	1,71	210	1,46	
		23	-	-	-	-	-	-	-	-	2,07	0,98	250	2,31	1,94	1,18	530	2,03	1,92	1,42	530	1,99	2,00	1,59	250	2,18	
15	3	15	-	-	-	-	-	-	-	-	-	-	-	-	-	-	-	-	-	-	-	-	-	-	-	-	
		17	-	-	-	-	-	-	-	-	-	-	-	-	-	-	-	-	-	-	-	-	-	-	-	-	
		19	-	-	-	-	0,88	0,84	250	2,30	1,18	1,18	340	3,85	1,49	1,49	430	5,68	1,79	1,79	510	7,77	1,94	1,94	560	8,91	
		21	-	-	-	-	1,69	0,81	490	7,06	1,68	1,09	480	6,94	1,69	1,38	480	6,99	1,84	1,73	530	8,13	1,96	1,91	560	9,02	
		23	-	-	-	-	-	-	-	-	2,80	1,13	800	16,74	2,78	1,41	800	16,51	2,76	1,67	790	16,30	2,75	1,81	790	16,19	
	5	15	-	-	-	-	-	-	-	-	-	-	-	-	-	-	-	-	-	-	-	-	-	-	-	-	-
		17	-	-	-	-	-	-	-	-	-	-	-	-	-	-	-	-	-	-	-	-	-	-	-	-	-
		19	-	-	-	-	-	-	-	-	-	-	-	-	-	-	-	-	-	-	-	-	-	-	-	-	-
		21	-	-	-	-	-	-	-	-	0,74	0,74	130	0,53	1,23	1,18	530	1,53	1,54	1,54	270	2,51	1,70	1,70	290	2,96	
		23	-	-	-	-	-	-	-	-	2,07	0,97	530	4,03	1,90	1,12	330	3,56	1,90	1,41	330	3,57	1,95	1,57	340	3,74	
	7	15	-	-	-	-	-	-	-	-	-	-	-	-	-	-	-	-	-	-	-	-	-	-	-	-	-
		17	-	-	-	-	-	-	-	-	-	-	-	-	-	-	-	-	-	-	-	-	-	-	-	-	-
		19	-	-	-	-	-	-	-	-	-	-	-	-	-	-	-	-	-	-	-	-	-	-	-	-	-
		21	-	-	-	-	-	-	-	-	-	-	-	-	-	-	-	-	-	-	-	-	-	-	-	-	-
		23	-	-	-	-	-	-	-	-	-	-	-	-	-	-	-	-	-	-	-	-	-	-	-	-	-

EWT = Exchanger water inlet temperature (°C)
 ΔT = Temperature differential (°C)
 Ta = Ambient temperature (°C)
 D.B. = Dry bulb
 W.B. = Wet bulb

TC = Total cooling capacity (kW)
 SC = Sensible cooling capacity (kW)
 WF = Water flow-rate (l/h)
 WDP = Exchanger pressure drops (kPa)

Cooling performance

CC2 - 2-pipe system

011.0																											
EWT	ΔT	Ta (W.B.)	Ta (D.B.)																								
			21				23				25				27				29				30				
			TC	SC	WF	WDP	TC	SC	WF	WDP	TC	SC	WF	WDP	TC	SC	WF	WDP	TC	SC	WF	WDP	TC	SC	WF	WDP	
[°C]	[°C]	[°C]	[kW]	[kW]	[l/h]	[kPa]	[kW]	[kW]	[l/h]	[kPa]	[kW]	[kW]	[l/h]	[kPa]	[kW]	[kW]	[l/h]	[kPa]	[kW]	[kW]	[l/h]	[kPa]	[kW]	[kW]	[l/h]	[kPa]	
5	3	15	3,47	2,51	990	21,22	3,45	2,87	980	21,00	3,57	3,40	1020	22,28	3,93	3,93	1120	26,29	4,32	4,32	1230	30,88	4,51	4,51	1290	33,28	
		17	4,64	2,55	1320	34,90	4,61	2,91	1310	34,56	4,58	3,26	1310	34,22	4,56	3,61	1300	33,89	4,54	3,98	1290	33,62	4,59	4,28	1310	34,33	
		19	5,89	2,59	1680	52,74	5,86	2,95	1670	52,24	5,83	3,31	1660	51,76	4,62	3,15	700	11,65	5,76	4,01	1640	50,80	5,75	4,18	1640	50,56	
		21	-	-	-	-	7,21	2,99	2050	74,77	7,17	3,36	2040	74,09	7,13	3,71	2030	73,43	7,09	4,07	2020	72,77	7,08	4,24	2020	72,45	
		23	-	-	-	-	-	-	-	-	8,62	3,41	2460	102,09	8,58	3,77	2450	101,20	8,53	4,12	2430	100,32	8,51	4,30	2430	99,89	
	5	5	15	2,60	2,23	700	5,04	2,84	2,72	700	6,18	3,16	3,16	540	7,58	3,56	3,56	610	9,30	3,96	3,96	680	11,12	4,16	4,16	710	12,07
			17	3,80	2,21	650	10,35	3,71	2,51	640	9,92	3,68	2,87	630	9,81	3,74	3,32	640	10,08	3,99	3,84	680	11,24	4,16	4,11	710	12,08
			19	5,03	2,21	860	16,65	5,00	2,58	860	16,49	4,97	2,93	850	16,32	4,62	3,15	700	11,65	4,95	3,67	850	16,20	4,90	3,81	840	15,92
			21	-	-	-	-	6,37	2,63	1090	24,93	6,33	2,99	1090	24,69	6,30	3,35	1080	24,46	6,26	3,70	1070	24,23	6,25	3,87	1070	24,12
			23	-	-	-	-	-	-	-	-	7,80	3,05	1340	35,28	7,75	3,41	1330	34,96	7,71	3,77	1320	34,65	7,69	3,94	1320	34,49
	7	7	15	1,62	1,62	200	1,15	1,97	1,97	240	1,40	2,66	2,66	330	2,02	3,13	3,13	380	3,36	3,56	3,56	440	4,90	3,76	3,76	460	5,58
			17	2,70	1,93	700	2,12	2,75	2,37	340	2,22	2,93	2,76	700	2,68	3,17	3,10	390	3,50	3,56	3,56	440	4,92	3,77	3,77	460	5,60
			19	4,06	1,86	500	6,45	3,94	2,14	480	6,11	3,91	2,50	480	6,03	4,62	3,15	700	11,65	3,92	3,27	480	6,04	4,05	3,57	700	6,39
			21	-	-	-	-	5,41	2,24	660	10,55	5,37	2,60	660	10,44	5,34	2,95	650	10,33	5,31	3,31	650	10,23	5,35	3,53	660	10,35
			23	-	-	-	-	-	-	-	-	6,88	2,67	840	15,88	6,84	3,03	840	15,73	6,80	3,39	830	15,58	6,79	3,56	830	15,51
7	3	15	2,58	2,12	740	12,69	2,76	2,65	790	14,25	3,14	3,14	900	17,74	3,53	3,53	1010	21,70	3,92	3,92	1120	25,95	4,12	4,12	1180	28,18	
		17	3,76	2,17	1080	24,14	3,74	2,53	1070	23,88	3,71	2,88	1060	23,62	3,71	3,29	1060	23,60	3,93	3,85	1130	26,08	4,12	4,12	1180	28,26	
		19	5,02	2,21	1440	39,65	4,99	2,57	1430	39,26	4,96	2,93	1420	38,87	4,93	3,28	1410	38,48	4,91	3,63	1400	38,10	4,89	3,80	1400	37,91	
		21	-	-	-	-	6,34	2,62	1820	59,38	6,31	2,98	1810	58,82	6,27	3,34	1800	58,26	6,24	3,69	1790	57,71	6,22	3,86	1780	57,44	
		23	-	-	-	-	-	-	-	-	7,76	3,03	2220	84,32	7,72	3,39	2210	83,55	7,68	3,75	2200	82,80	7,66	3,92	2190	82,42	
	5	5	15	1,87	1,85	320	1,96	2,33	2,33	400	4,03	2,76	2,76	470	5,90	3,17	3,17	540	7,50	3,57	3,57	610	9,18	3,77	3,77	650	10,05
			17	2,89	1,87	500	6,40	2,77	2,15	480	5,93	2,87	2,59	700	6,33	3,20	3,11	700	7,64	3,57	3,57	610	9,20	3,77	3,77	650	10,08
			19	4,09	1,82	700	11,53	4,06	2,19	700	11,40	4,03	2,55	690	11,28	3,96	3,20	700	11,48	3,99	3,26	680	11,05	4,03	3,50	690	11,25
			21	-	-	-	-	5,45	2,25	940	18,80	5,41	2,61	930	18,61	5,38	2,97	920	18,42	5,35	3,32	920	18,24	5,33	3,49	920	18,14
			23	-	-	-	-	-	-	-	-	6,88	2,67	1180	28,09	6,85	3,03	1180	27,83	6,81	3,39	1170	27,57	6,79	3,56	1170	27,44
	7	7	15	1,31	1,31	160	0,88	1,62	1,62	200	1,09	2,07	2,07	250	1,39	2,72	2,72	330	2,27	3,16	3,16	390	3,73	3,37	3,37	410	4,43
			17	1,36	1,26	170	0,91	1,62	1,61	200	1,09	2,08	2,08	250	1,40	2,72	2,72	330	2,28	3,16	3,16	390	3,74	3,38	3,38	410	4,45
			19	3,22	1,65	700	3,81	3,01	1,89	700	3,23	2,91	2,19	360	2,87	3,07	2,67	380	3,43	3,33	3,14	700	4,29	3,47	3,35	700	4,75
			21	-	-	-	-	4,39	1,84	540	7,29	4,43	2,26	540	7,41	4,33	2,56	530	7,12	4,30	2,91	530	7,03	4,28	3,08	530	6,99
			23	-	-	-	-	-	-	-	-	5,90	2,29	720	12,04	5,86	2,65	720	11,92	5,83	3,00	720	11,80	5,81	3,18	710	11,74
9	3	15	1,93	1,89	550	7,63	2,34	2,34	670	10,54	2,74	2,74	780	13,80	3,14	3,14	900	17,37	3,53	3,53	1010	21,23	3,72	3,72	1060	23,27	
		17	2,81	1,78	800	14,40	2,79	2,14	800	14,22	2,85	2,59	820	14,74	3,14	3,11	900	17,40	3,53	3,53	1010	21,29	3,73	3,73	1070	23,34	
		19	4,08	1,82	1170	27,27	4,06	2,18	1160	26,97	4,03	2,54	1150	26,68	4,00	2,90	1150	26,38	3,98	3,25	1140	26,09	3,98	3,45	1140	26,07	
		21	-	-	-	-	5,41	2,23	1550	44,33	5,38	2,59	1540	43,88	5,35	2,95	1530	43,44	5,32	3,30	1520	43,00	5,30	3,48	1520	42,78	
		23	-	-	-	-	-	-	-	-	6,84	2,65	1960	66,47	6,80	3,01	1940	65,83	6,76	3,37	1930	65,21	6,74	3,54	1930	64,89	
	5	5	15	1,26	1,26	220	1,15	1,91	1,91	330	2,20	2,35	2,35	400	4,26	2,77	2,77	480	5,86	3,17	3,17	550	7,39	3,37	3,37	580	8,19
			17	1,33	1,29	700	1,22	1,95	1,84	340	2,38	2,35	2,34	400	4,27	2,77	2,77	480	5,87	3,18	3,18	550	7,41	3,38	3,38	580	8,21
			19	3,04	1,42	520	6,88	3,08	1,84	700	6,94	2,99	2,14	510	6,69	3,04	2,56	520	6,86	3,26	3,04	560	7,73	3,41	3,28	590	8,34
			21	-	-	-	-	4,45	1,86	760	13,07	4,42	2,22	760	12,92	4,39	2,58	750	12,78	4,36	2,93	750	12,64	4,34	3,10	750	12,56
			23	-	-	-	-	-	-	-	-	5,90	2,29	1010	21,21	5,87	2,65	1010	20,99	5,83	3,00	1000	20,78	5,81	3,18	1000	20,67
	7	7	15	-	-	-	-	-	-	-	-	-	-	-	-	-	-	-	-	-	-	-	-	-	-	-	-
			17	1,01	0,99	120	0,64	1,31	1,31	160	0,83	1,62	1,62	200	1,03	2,25	2,25	280	1,46	2,76	2,76	340	2,57	2,97	2,97	370	3,29
			19	1,30	0,93	700	0,82	1,38	1,25	170	0,87	2,15	2,05	700	1,47	2,26	2,25	280	1,47	2,76	2,76	340	2,59	2,98	2,98	370	3,31
			21	-	-	-	-	3,22	1,41	700	4,11	3,36	1,91	410	4,45	3,15	2,12	700	3,86	3,23	2,57	400	4,09	3,31	2,78	410	4,32
			23	-	-	-	-	-	-	-	-	4,82	1,89	590	8,40	4,79	2,25	590	8,30	4,82	2,67	590	8,41	4,74	2,78	580	8,16

EWT = Exchanger water inlet temperature (°C)
 ΔT = Temperature differential (°C)
 Ta = Ambient temperature (°C)
 D.B. = Dry bulb
 W.B. = Wet bulb

TC = Total cooling capacity (kW)
 SC = Sensible cooling capacity (kW)
 WF = Water flow-rate (l/h)
 WDP = Exchanger pressure drops (kPa)

Cooling performance

CC2 - 2-pipe system

011.0																											
EWT	ΔT	Ta (W.B.)	Ta (D.B.)																								
			21				23				25				27				29				30				
			TC	SC	WF	WDP	TC	SC	WF	WDP	TC	SC	WF	WDP	TC	SC	WF	WDP	TC	SC	WF	WDP	TC	SC	WF	WDP	
[°C]	[°C]	[°C]	[kW]	[kW]	[l/h]	[kPa]	[kW]	[kW]	[l/h]	[kPa]	[kW]	[kW]	[l/h]	[kPa]	[kW]	[kW]	[l/h]	[kPa]	[kW]	[kW]	[l/h]	[kPa]	[kW]	[kW]	[l/h]	[kPa]	
11	3	15	1,52	1,52	430	4,96	1,93	1,93	550	7,52	2,34	2,34	670	10,39	2,74	2,74	780	13,58	3,13	3,13	900	17,08	3,33	3,33	950	18,94	
		17	1,83	1,43	700	6,93	1,97	1,86	560	7,77	2,34	2,34	670	10,42	2,74	2,74	790	13,61	3,14	3,14	900	17,12	3,33	3,33	950	18,99	
		19	3,07	1,43	880	16,48	3,04	1,79	870	16,27	3,02	2,15	870	16,06	3,01	2,53	860	15,95	3,18	3,03	910	17,57	3,34	3,29	960	19,09	
		21	-	-	-	-	4,41	1,84	1260	30,73	3,63	1,93	700	11,12	4,35	2,56	1250	30,05	4,32	2,92	1240	29,72	4,31	3,09	1240	29,55	
		23	-	-	-	-	-	-	-	-	5,84	2,26	1670	49,97	5,81	2,62	1660	49,46	5,77	2,98	1650	48,96	5,76	3,15	1650	48,71	
	5	15	-	-	-	-	-	-	-	-	-	-	-	-	-	-	-	-	-	-	-	-	-	-	-	-	-
		17	0,94	0,94	160	0,81	1,32	1,32	230	1,14	1,93	1,93	330	2,53	2,37	2,37	410	4,37	2,78	2,78	480	5,82	2,98	2,98	510	6,55	
		19	2,08	1,24	700	3,26	1,96	1,55	700	2,68	2,04	1,82	350	3,02	2,39	2,30	410	4,45	2,79	2,79	480	5,83	2,99	2,99	510	6,57	
		21	-	-	-	-	3,34	1,45	570	7,93	3,31	1,82	570	7,82	3,29	2,17	570	7,72	3,27	2,54	560	7,64	3,31	2,76	570	7,81	
		23	-	-	-	-	-	-	-	-	4,83	1,89	830	14,86	4,80	2,25	830	14,69	4,77	2,61	820	14,53	4,76	2,79	820	14,45	
	7	15	-	-	-	-	-	-	-	-	-	-	-	-	-	-	-	-	-	-	-	-	-	-	-	-	-
		17	-	-	-	-	-	-	-	-	-	-	-	-	-	-	-	-	-	-	-	-	-	-	-	-	-
		19	-	-	-	-	1,01	0,99	120	0,61	1,31	1,31	160	0,79	1,65	1,65	200	0,99	2,33	2,33	290	1,60	2,57	2,57	320	2,19	
		21	-	-	-	-	2,18	1,45	700	1,41	2,21	1,69	700	1,55	2,07	1,98	700	1,26	2,39	2,23	290	1,72	2,62	2,51	320	2,35	
		23	-	-	-	-	-	-	-	-	3,60	1,47	440	5,03	3,57	1,83	700	4,96	3,53	2,18	430	4,88	3,52	2,36	430	4,84	
13	3	15	-	-	-	-	-	-	-	-	-	-	-	-	-	-	-	-	-	-	-	-	-	-	-	-	
		17	1,09	1,09	310	2,08	1,52	1,52	440	4,95	1,94	1,94	560	7,44	2,34	2,34	670	10,25	2,74	2,74	790	13,39	2,94	2,94	840	15,08	
		19	2,21	1,25	630	9,31	1,93	1,39	700	7,48	2,04	1,83	580	8,11	2,35	2,31	670	10,30	2,74	2,74	790	13,43	2,94	2,94	840	15,12	
		21	-	-	-	-	3,33	1,45	950	18,67	3,30	1,81	950	18,42	3,27	2,17	940	18,18	3,25	2,52	930	17,94	3,25	2,72	930	17,93	
		23	-	-	-	-	-	-	-	-	4,77	1,87	1370	34,73	4,74	2,23	1360	34,34	4,71	2,58	1350	33,95	4,69	2,76	1350	33,76	
	5	15	-	-	-	-	-	-	-	-	-	-	-	-	-	-	-	-	-	-	-	-	-	-	-	-	-
		17	-	-	-	-	-	-	-	-	-	-	-	-	-	-	-	-	-	-	-	-	-	-	-	-	-
		19	-	-	-	-	0,94	0,94	160	0,77	1,46	1,46	250	1,21	1,96	1,96	340	2,81	2,38	2,38	410	4,39	2,59	2,59	450	5,07	
		21	-	-	-	-	2,38	1,30	410	4,37	2,15	1,49	700	3,67	2,20	1,85	380	3,78	2,46	2,28	420	4,64	2,62	2,51	450	5,19	
		23	-	-	-	-	-	-	-	-	3,75	1,57	650	9,49	3,63	1,85	630	8,99	3,60	2,20	620	8,87	3,59	2,38	620	8,81	
	7	15	-	-	-	-	-	-	-	-	-	-	-	-	-	-	-	-	-	-	-	-	-	-	-	-	-
		17	-	-	-	-	-	-	-	-	-	-	-	-	-	-	-	-	-	-	-	-	-	-	-	-	-
		19	-	-	-	-	-	-	-	-	-	-	-	-	-	-	-	-	-	-	-	-	-	-	-	-	-
		21	-	-	-	-	-	-	-	-	1,02	0,98	700	0,58	1,31	1,31	160	0,75	1,73	1,73	210	0,99	2,13	2,13	260	1,30	
		23	-	-	-	-	-	-	-	-	2,33	1,28	700	1,70	2,16	1,61	700	1,35	2,32	1,94	700	1,69	2,45	2,13	700	2,02	
15	3	15	-	-	-	-	-	-	-	-	-	-	-	-	-	-	-	-	-	-	-	-	-	-	-	-	
		17	-	-	-	-	-	-	-	-	-	-	-	-	-	-	-	-	-	-	-	-	-	-	-	-	
		19	-	-	-	-	1,10	1,08	320	2,37	1,53	1,53	440	4,91	1,94	1,94	560	7,35	2,34	2,34	670	10,11	2,54	2,54	730	11,62	
		21	-	-	-	-	2,31	1,18	700	9,76	2,11	1,40	700	8,48	2,14	1,81	620	8,69	2,38	2,27	680	10,41	2,55	2,51	730	11,68	
		23	-	-	-	-	-	-	-	-	3,61	1,47	1030	21,14	3,58	1,83	1030	20,86	3,55	2,18	1020	20,59	3,54	2,36	1020	20,46	
	5	15	-	-	-	-	-	-	-	-	-	-	-	-	-	-	-	-	-	-	-	-	-	-	-	-	-
		17	-	-	-	-	-	-	-	-	-	-	-	-	-	-	-	-	-	-	-	-	-	-	-	-	-
		19	-	-	-	-	-	-	-	-	-	-	-	-	-	-	-	-	-	-	-	-	-	-	-	-	-
		21	-	-	-	-	-	-	-	-	0,94	0,93	160	0,73	1,52	1,51	260	1,29	1,97	1,97	340	2,99	2,18	2,18	380	3,71	
		23	-	-	-	-	-	-	-	-	2,57	1,25	700	4,93	2,41	1,53	700	4,42	2,33	1,81	700	4,15	2,43	2,03	420	4,47	
	7	15	-	-	-	-	-	-	-	-	-	-	-	-	-	-	-	-	-	-	-	-	-	-	-	-	-
		17	-	-	-	-	-	-	-	-	-	-	-	-	-	-	-	-	-	-	-	-	-	-	-	-	-
		19	-	-	-	-	-	-	-	-	-	-	-	-	-	-	-	-	-	-	-	-	-	-	-	-	-
		21	-	-	-	-	-	-	-	-	-	-	-	-	-	-	-	-	-	-	-	-	-	-	-	-	-
		23	-	-	-	-	-	-	-	-	-	-	-	-	-	-	-	-	-	-	-	-	-	-	-	-	-

EWT = Exchanger water inlet temperature (°C)
 ΔT = Temperature differential (°C)
 Ta = Ambient temperature (°C)
 D.B. = Dry bulb
 W.B. = Wet bulb

TC = Total cooling capacity (kW)
 SC = Sensible cooling capacity (kW)
 WF = Water flow-rate (l/h)
 WDP = Exchanger pressure drops (kPa)

Cooling performance

CC2 - 2-pipe system

015.0																											
EWT	ΔT	Ta (W.B.)	Ta (D.B.)																								
			21				23				25				27				29				30				
			TC	SC	WF	WDP	TC	SC	WF	WDP	TC	SC	WF	WDP	TC	SC	WF	WDP	TC	SC	WF	WDP	TC	SC	WF	WDP	
[°C]	[°C]	[°C]	[kW]	[kW]	[l/h]	[kPa]	[kW]	[kW]	[l/h]	[kPa]	[kW]	[kW]	[l/h]	[kPa]	[kW]	[kW]	[l/h]	[kPa]	[kW]	[kW]	[l/h]	[kPa]	[kW]	[kW]	[l/h]	[kPa]	
5	3	15	3,77	2,75	750	22,92	3,69	3,09	1050	21,90	3,84	3,68	1090	23,47	4,24	4,24	1210	27,82	4,66	4,66	1330	32,70	4,87	4,87	1390	35,24	
		17	4,98	2,74	1420	36,61	4,95	3,13	1410	36,25	4,92	3,52	1400	35,89	4,89	3,90	1400	35,54	4,88	4,31	1390	35,31	4,95	4,64	1410	36,19	
		19	6,34	2,78	1810	55,47	6,31	3,18	1800	54,95	6,27	3,57	1790	54,44	6,24	3,95	1780	53,93	6,20	4,33	1770	53,43	6,19	4,51	1760	53,19	
		21	-	-	-	-	7,77	3,23	2210	78,78	7,73	3,62	2200	78,07	7,69	4,01	2190	77,37	7,65	4,39	2180	76,68	7,63	4,58	2180	76,34	
		23	-	-	-	-	-	-	-	-	9,30	3,67	2650	107,70	9,25	4,07	2640	106,76	9,21	4,45	2630	105,84	9,18	4,64	2620	105,38	
	5	5	15	2,82	2,49	750	5,09	2,94	2,83	500	5,71	3,38	3,38	580	7,86	3,83	3,83	660	9,76	4,26	4,26	730	11,71	4,47	4,47	770	12,72
			17	4,02	2,37	690	10,63	3,91	2,68	670	10,14	3,89	3,07	670	10,03	3,98	3,57	680	10,44	4,28	4,15	730	11,78	4,48	4,45	770	12,74
			19	5,36	2,36	920	17,28	5,33	2,75	910	17,11	5,30	3,14	910	16,94	5,27	3,53	900	16,77	5,28	3,95	910	16,83	5,22	4,09	900	16,51
			21	-	-	-	-	6,82	2,82	1170	26,04	6,78	3,21	1160	25,79	6,75	3,60	1160	25,55	6,71	3,98	1150	25,31	6,69	4,17	1150	25,19
			23	-	-	-	-	-	-	-	-	8,37	3,27	1440	36,99	8,33	3,66	1430	36,65	8,28	4,05	1420	36,33	8,26	4,24	1420	36,16
	7	7	15	1,75	1,75	210	1,29	2,08	2,08	260	1,54	2,61	2,61	320	1,93	3,30	3,30	400	2,90	3,79	3,79	460	4,56	4,01	4,01	490	5,43
			17	2,99	2,44	750	2,27	2,17	2,12	750	1,60	2,61	2,61	320	1,93	3,30	3,26	400	2,89	3,79	3,79	460	4,59	4,02	4,02	490	5,46
			19	4,22	1,94	520	6,16	4,08	2,24	500	5,68	4,05	2,63	500	5,57	4,08	3,06	500	5,67	4,22	3,61	750	6,17	4,29	3,85	750	6,41
			21	-	-	-	-	5,72	2,37	700	10,80	5,68	2,76	700	10,69	5,65	3,14	690	10,58	5,61	3,53	690	10,46	5,66	3,76	690	10,60
			23	-	-	-	-	-	-	-	-	7,33	2,84	900	16,46	7,29	3,24	890	16,30	7,25	3,62	890	16,15	7,23	3,81	890	16,07
7	3	15	2,75	2,29	790	13,13	2,97	2,87	850	14,98	3,39	3,39	970	18,75	3,81	3,81	1090	22,96	4,24	4,24	1210	27,47	4,45	4,45	1270	29,84	
		17	4,03	2,33	1150	25,21	4,00	2,72	1150	24,94	3,98	3,10	1140	24,67	3,98	3,55	1140	24,74	4,24	4,18	1220	27,57	4,45	4,45	1280	29,92	
		19	5,40	2,37	1550	41,62	5,36	2,77	1540	41,20	4,31	2,74	1540	41,20	4,31	3,54	1520	40,39	5,27	3,92	1510	39,98	5,26	4,10	1510	39,79	
		21	-	-	-	-	6,83	2,82	1960	62,48	6,79	3,21	1950	61,89	6,75	3,60	1930	61,31	6,72	3,98	1920	60,73	6,70	4,17	1920	60,45	
		23	-	-	-	-	-	-	-	-	8,37	3,27	2400	88,86	8,32	3,66	2380	88,06	8,28	4,04	2370	87,27	8,26	4,23	2370	86,87	
	5	5	15	1,84	1,84	320	1,85	2,48	2,48	430	3,55	2,95	2,95	510	5,97	3,40	3,40	580	7,84	3,83	3,83	660	9,65	4,05	4,05	700	10,58
			17	3,09	2,05	750	6,57	2,93	2,35	750	5,94	3,06	2,81	750	6,38	3,42	3,36	590	7,93	3,84	3,84	660	9,67	4,06	4,06	700	10,61
			19	4,34	1,94	740	11,87	4,31	2,33	740	11,73	4,34	2,78	750	11,90	4,20	3,45	750	12,32	4,23	3,51	730	11,40	4,29	3,78	740	11,67
			21	-	-	-	-	5,82	2,40	1000	19,55	5,78	2,80	990	19,36	5,75	3,18	990	19,16	5,71	3,56	980	18,97	5,70	3,75	980	18,87
			23	-	-	-	-	-	-	-	-	7,38	2,86	1270	29,38	7,34	3,25	1260	29,10	7,30	3,64	1250	28,83	7,28	3,83	1250	28,69
	7	7	15	1,42	1,42	170	0,98	1,75	1,75	210	1,22	2,10	2,10	260	1,46	2,81	2,81	350	2,02	3,35	3,35	410	3,30	3,59	3,59	440	4,14
			17	1,47	1,37	180	1,02	1,75	1,74	210	1,22	2,10	2,10	260	1,46	2,82	2,82	350	2,03	3,36	3,36	410	3,32	3,59	3,59	440	4,16
			19	3,37	1,75	750	3,52	3,11	2,09	750	2,60	4,31	2,74	750	12,01	3,21	2,93	390	2,89	3,52	3,40	750	3,92	3,67	3,59	450	4,45
			21	-	-	-	-	4,59	1,93	560	7,31	4,65	2,40	570	7,47	4,52	2,71	560	7,12	4,49	3,09	550	7,03	4,47	3,28	550	6,98
			23	-	-	-	-	-	-	-	-	6,26	2,43	770	12,40	6,22	2,82	760	12,27	6,18	3,21	760	12,14	6,17	3,40	760	12,08
9	3	15	2,07	2,04	590	7,98	2,52	2,52	720	11,11	2,95	2,95	840	14,57	3,38	3,38	970	18,36	3,81	3,81	1090	22,47	4,02	4,02	1150	24,63	
		17	3,00	1,90	860	14,92	2,97	2,29	850	14,73	3,05	2,79	870	15,42	3,39	3,37	970	18,39	3,81	3,81	1090	22,53	4,02	4,02	1150	24,70	
		19	4,38	1,95	1250	28,52	3,68	2,09	750	11,84	4,32	2,74	1240	27,89	4,29	3,12	1230	27,59	4,27	3,50	1220	27,28	4,27	3,74	1220	27,32	
		21	-	-	-	-	5,82	2,40	1660	46,55	5,79	2,79	1660	46,08	5,75	3,18	1650	45,61	5,72	3,56	1640	45,15	5,70	3,75	1630	44,92	
		23	-	-	-	-	-	-	-	-	7,36	2,85	2110	69,95	7,32	3,24	2100	69,29	7,28	3,63	2080	68,63	7,26	3,82	2080	68,31	
	5	5	15	1,35	1,35	230	1,28	1,99	1,99	340	1,94	2,50	2,50	430	3,98	2,96	2,96	510	6,06	3,41	3,41	590	7,75	3,62	3,62	620	8,61
			17	1,39	1,35	240	1,31	1,99	1,93	340	1,95	2,51	2,51	430	4,00	2,97	2,97	510	6,07	3,41	3,41	590	7,77	3,63	3,63	620	8,64
			19	3,18	1,50	550	6,90	3,33	2,03	750	7,45	3,13	2,28	540	6,69	3,21	2,75	550	6,99	3,48	3,28	600	8,03	3,67	3,56	630	8,80
			21	-	-	-	-	4,73	1,98	810	13,50	4,70	2,37	810	13,34	4,66	2,76	800	13,19	4,63	3,14	800	13,04	4,62	3,33	790	12,97
			23	-	-	-	-	-	-	-	-	6,31	2,45	1080	22,09	6,27	2,84	1080	21,87	6,24	3,22	1070	21,65	6,22	3,41	1070	21,54
	7	7	15	-	-	-	-	-	-	-	-	-	-	-	-	-	-	-	-	-	-	-	-	-	-	-	-
			17	1,09	1,08	130	0,71	1,42	1,42	170	0,93	1,75	1,75	210	1,15	2,16	2,16	270	1,43	2,90	2,90	360	2,21	3,15	3,15	390	2,90
			19	1,40	1,00	170	0,91	2,51	1,98	750	2,12	1,75	1,72	210	1,15	2,17	2,17	270	1,43	2,91	2,91	360	2,23	3,16	3,16	390	2,92
			21	-	-	-	-	3,55	1,65	750	4,30	3,50	2,05	430	4,10	3,32	2,34	750	3,51	3,40	2,81	420	3,76	3,51	3,05	430	4,12
			23	-	-	-	-	-	-	-	-	5,07	2,00	620	8,54	5,04	2,39	620	8,43	5,08	2,84	620	8,55	4,99	2,96	610	8,28

EWT = Exchanger water inlet temperature (°C)
 ΔT = Temperature differential (°C)
 Ta = Ambient temperature (°C)
 D.B. = Dry bulb
 W.B. = Wet bulb

TC = Total cooling capacity (kW)
 SC = Sensible cooling capacity (kW)
 WF = Water flow-rate (l/h)
 WDP = Exchanger pressure drops (kPa)

Cooling performance

CC2 - 2-pipe system

015.0																											
EWT	ΔT	Ta (W.B.)	Ta (D.B.)																								
			21				23				25				27				29				30				
			TC	SC	WF	WDP	TC	SC	WF	WDP	TC	SC	WF	WDP	TC	SC	WF	WDP	TC	SC	WF	WDP	TC	SC	WF	WDP	
[°C]	[°C]	[°C]	[kW]	[kW]	[l/h]	[kPa]	[kW]	[kW]	[l/h]	[kPa]	[kW]	[kW]	[l/h]	[kPa]	[kW]	[kW]	[l/h]	[kPa]	[kW]	[kW]	[l/h]	[kPa]	[kW]	[kW]	[l/h]	[kPa]	
11	3	15	1,62	1,62	460	5,02	2,08	2,08	590	7,90	2,52	2,52	720	10,95	2,95	2,95	850	14,34	3,38	3,38	970	18,06	3,59	3,59	1030	20,04	
		17	1,90	1,53	540	6,78	2,10	2,00	600	8,09	2,52	2,52	720	10,98	2,96	2,96	850	14,38	3,38	3,38	970	18,11	3,60	3,60	1030	20,09	
		19	3,27	1,53	940	17,11	3,25	1,92	930	16,89	3,22	2,31	920	16,67	3,22	2,73	920	16,61	3,43	3,28	980	18,49	3,60	3,56	1030	20,16	
		21	-	-	-	-	4,73	1,98	1360	32,16	4,70	2,37	1350	31,80	4,67	2,76	1340	31,45	4,64	3,14	1330	31,10	4,63	3,33	1330	30,92	
		23	-	-	-	-	-	-	-	-	6,29	2,43	1800	52,49	6,25	2,82	1790	51,96	6,21	3,21	1780	51,43	6,19	3,40	1770	51,17	
	5	15	-	-	-	-	-	-	-	-	-	-	-	-	-	-	-	-	-	-	-	-	-	-	-	-	-
		17	1,02	1,02	170	0,91	1,35	1,35	230	1,21	2,04	2,04	350	2,14	2,52	2,52	430	4,31	2,98	2,98	510	6,07	3,20	3,20	550	6,87	
		19	2,05	1,33	750	2,22	1,43	1,36	250	1,28	2,13	1,96	750	2,49	2,54	2,47	440	4,36	2,98	2,98	510	6,09	3,21	3,21	550	6,89	
		21	-	-	-	-	3,52	1,54	600	8,05	3,49	1,93	600	7,94	3,46	2,32	590	7,83	3,45	2,73	590	7,79	3,51	2,97	600	8,03	
		23	-	-	-	-	-	-	-	-	5,15	2,02	890	15,39	5,12	2,41	880	15,21	5,08	2,80	870	15,04	5,07	2,99	870	14,96	
	7	15	-	-	-	-	-	-	-	-	-	-	-	-	-	-	-	-	-	-	-	-	-	-	-	-	-
		17	-	-	-	-	-	-	-	-	-	-	-	-	-	-	-	-	-	-	-	-	-	-	-	-	-
		19	-	-	-	-	1,09	1,06	130	0,68	1,42	1,42	170	0,88	1,75	1,75	220	1,09	2,35	2,35	290	1,47	2,70	2,70	330	1,88	
		21	-	-	-	-	1,45	1,00	750	0,90	2,49	1,94	750	1,88	2,33	2,18	750	1,56	2,36	2,35	290	1,48	2,70	2,63	330	1,89	
		23	-	-	-	-	-	-	-	-	3,70	1,53	460	4,83	3,86	2,06	750	5,19	3,63	2,30	450	4,63	3,70	2,55	750	4,85	
13	3	15	-	-	-	-	-	-	-	-	-	-	-	-	-	-	-	-	-	-	-	-	-	-	-	-	
		17	1,14	1,14	330	1,77	1,63	1,63	470	5,12	2,08	2,08	600	7,82	2,52	2,52	720	10,82	2,95	2,95	850	14,15	3,17	3,17	910	15,94	
		19	2,33	1,33	670	9,46	2,03	1,48	750	7,51	2,17	1,97	620	8,42	2,52	2,50	720	10,85	2,96	2,96	850	14,19	3,17	3,17	910	15,99	
		21	-	-	-	-	3,55	1,55	1020	19,41	3,53	1,94	1010	19,15	3,50	2,33	1000	18,90	3,47	2,71	1000	18,65	3,48	2,94	1000	18,70	
		23	-	-	-	-	-	-	-	-	5,12	2,01	1470	36,38	5,09	2,40	1460	35,97	5,05	2,78	1450	35,56	5,04	2,98	1450	35,36	
	5	15	-	-	-	-	-	-	-	-	-	-	-	-	-	-	-	-	-	-	-	-	-	-	-	-	-
		17	-	-	-	-	-	-	-	-	-	-	-	-	-	-	-	-	-	-	-	-	-	-	-	-	-
		19	-	-	-	-	1,02	1,02	180	0,86	1,38	1,38	240	1,18	2,07	2,07	360	2,45	2,54	2,54	440	4,48	2,77	2,77	480	5,28	
		21	-	-	-	-	2,38	1,35	410	3,84	2,25	1,68	750	3,29	2,32	2,02	400	3,59	2,60	2,45	450	4,70	2,80	2,70	480	5,37	
		23	-	-	-	-	-	-	-	-	3,97	1,67	680	9,74	3,83	1,97	660	9,18	3,80	2,35	650	9,06	3,79	2,54	650	8,99	
	7	15	-	-	-	-	-	-	-	-	-	-	-	-	-	-	-	-	-	-	-	-	-	-	-	-	-
		17	-	-	-	-	-	-	-	-	-	-	-	-	-	-	-	-	-	-	-	-	-	-	-	-	-
		19	-	-	-	-	-	-	-	-	-	-	-	-	-	-	-	-	-	-	-	-	-	-	-	-	-
		21	-	-	-	-	-	-	-	-	1,10	1,07	140	0,65	1,42	1,42	170	0,84	1,76	1,76	220	1,04	2,06	2,06	250	1,22	
		23	-	-	-	-	-	-	-	-	2,44	1,59	750	1,55	2,45	1,83	750	1,65	2,57	2,21	750	1,89	2,15	2,12	750	1,27	
15	3	15	-	-	-	-	-	-	-	-	-	-	-	-	-	-	-	-	-	-	-	-	-	-	-	-	
		17	-	-	-	-	-	-	-	-	-	-	-	-	-	-	-	-	-	-	-	-	-	-	-	-	
		19	-	-	-	-	1,16	1,15	330	1,98	1,64	1,64	470	5,12	2,09	2,09	600	7,73	2,52	2,52	720	10,67	2,74	2,74	790	12,27	
		21	-	-	-	-	2,56	1,36	740	10,95	2,22	1,50	640	8,60	2,28	1,95	650	8,98	2,56	2,46	730	10,92	2,75	2,72	790	12,32	
		23	-	-	-	-	-	-	-	-	3,32	1,40	750	11,29	3,83	1,96	1100	21,72	3,80	2,35	1090	21,43	3,78	2,54	1090	21,29	
	5	15	-	-	-	-	-	-	-	-	-	-	-	-	-	-	-	-	-	-	-	-	-	-	-	-	-
		17	-	-	-	-	-	-	-	-	-	-	-	-	-	-	-	-	-	-	-	-	-	-	-	-	-
		19	-	-	-	-	-	-	-	-	-	-	-	-	-	-	-	-	-	-	-	-	-	-	-	-	-
		21	-	-	-	-	-	-	-	-	1,02	1,01	170	0,82	1,48	1,48	250	1,20	2,09	2,09	360	2,75	2,33	2,33	400	3,72	
		23	-	-	-	-	-	-	-	-	2,67	1,39	750	4,76	2,44	1,61	420	4,13	2,43	1,94	750	4,11	2,59	2,22	450	4,61	
	7	15	-	-	-	-	-	-	-	-	-	-	-	-	-	-	-	-	-	-	-	-	-	-	-	-	-
		17	-	-	-	-	-	-	-	-	-	-	-	-	-	-	-	-	-	-	-	-	-	-	-	-	-
		19	-	-	-	-	-	-	-	-	-	-	-	-	-	-	-	-	-	-	-	-	-	-	-	-	-
		21	-	-	-	-	-	-	-	-	-	-	-	-	-	-	-	-	-	-	-	-	-	-	-	-	-
		23	-	-	-	-	-	-	-	-	-	-	-	-	-	-	-	-	-	-	-	-	-	-	-	-	-

EWT = Exchanger water inlet temperature (°C)
 ΔT = Temperature differential (°C)
 Ta = Ambient temperature (°C)
 D.B. = Dry bulb
 W.B. = Wet bulb

TC = Total cooling capacity (kW)
 SC = Sensible cooling capacity (kW)
 WF = Water flow-rate (l/h)
 WDP = Exchanger pressure drops (kPa)

Cooling performance

CC2 - 2-pipe system

021.0																											
EWT	ΔT	Ta (W.B.)	Ta (D.B.)																								
			21				23				25				27				29				30				
			TC	SC	WF	WDP	TC	SC	WF	WDP	TC	SC	WF	WDP	TC	SC	WF	WDP	TC	SC	WF	WDP	TC	SC	WF	WDP	
[°C]	[°C]	[°C]	[kW]	[kW]	[l/h]	[kPa]	[kW]	[kW]	[l/h]	[kPa]	[kW]	[kW]	[l/h]	[kPa]	[kW]	[kW]	[l/h]	[kPa]	[kW]	[kW]	[l/h]	[kPa]	[kW]	[kW]	[l/h]	[kPa]	
5	3	15	5,01	3,62	1430	37,06	4,98	4,14	1420	36,74	5,13	4,89	1460	38,62	5,63	5,63	1610	45,35	6,20	6,20	1770	53,41	6,48	6,48	1850	57,64	
		17	6,69	3,68	1910	60,86	6,66	4,20	1900	60,37	6,62	4,71	1890	59,90	6,59	5,22	1880	59,42	6,57	5,75	1870	58,99	6,63	6,17	1890	59,97	
		19	8,49	3,73	2420	91,85	8,45	4,26	2410	91,17	8,41	4,78	2400	90,49	8,38	5,29	2390	89,82	8,34	5,80	2380	89,15	8,32	6,05	2370	88,82	
		21	-	-	-	-	10,39	4,32	2960	130,41	10,34	4,85	2950	129,48	10,30	5,37	2940	128,57	10,26	5,88	2930	127,65	10,24	6,14	2920	127,20	
		23	-	-	-	-	-	-	-	-	12,43	4,92	3550	178,35	12,38	5,45	3530	177,13	12,34	5,97	3520	175,92	12,31	6,23	3510	175,32	
	5	15	3,96	3,39	680	10,33	4,05	3,86	690	10,76	4,52	4,52	780	13,01	5,10	5,10	880	15,98	5,68	5,68	970	19,15	5,96	5,96	1020	20,80	
		17	5,41	3,12	930	17,65	5,38	3,64	920	17,48	5,36	4,16	920	17,32	5,42	4,79	930	17,66	5,74	5,52	980	19,50	5,98	5,89	1030	20,88	
		19	7,27	3,20	1250	29,12	7,23	3,73	1240	28,88	7,20	4,25	1230	28,65	7,16	4,76	1230	28,41	7,13	5,27	1220	28,18	7,11	5,52	1220	28,07	
		21	-	-	-	-	9,20	3,80	1580	43,56	9,16	4,33	1570	43,23	9,12	4,85	1560	42,91	9,08	5,36	1560	42,58	9,06	5,62	1550	42,42	
		23	-	-	-	-	-	-	-	-	11,26	4,41	1930	61,69	11,21	4,94	1920	61,25	11,17	5,46	1920	60,81	11,14	5,71	1910	60,59	
	7	15	2,27	2,27	280	1,84	2,87	2,87	350	2,34	3,84	3,84	470	3,87	4,49	4,49	550	6,44	5,10	5,10	630	8,78	5,40	5,40	660	9,79	
		17	4,17	2,85	1050	5,29	4,08	3,42	500	4,80	4,31	4,03	530	5,76	4,52	4,38	550	6,58	5,11	5,11	630	8,80	5,40	5,40	660	9,81	
		19	5,81	2,60	710	11,13	5,98	3,29	730	11,71	5,74	3,64	700	10,91	5,84	4,28	1050	11,27	5,88	4,87	1050	11,34	5,92	5,18	1050	11,41	
		21	-	-	-	-	7,85	3,25	960	18,56	7,81	3,77	960	18,41	7,77	4,29	950	18,25	7,73	4,80	950	18,10	7,71	5,06	950	18,02	
		23	-	-	-	-	-	-	-	-	9,97	3,88	1220	27,87	9,92	4,40	1220	27,66	9,88	4,92	1210	27,45	9,86	5,18	1210	27,34	
	7	3	15	3,73	3,07	1070	22,23	3,96	3,80	1140	24,60	4,49	4,49	1290	30,50	5,07	5,07	1450	37,42	5,63	5,63	1610	44,87	5,91	5,91	1690	48,79
			17	5,43	3,12	1550	42,13	5,40	3,65	1550	41,75	5,37	4,16	1540	41,38	5,36	4,74	1540	41,27	5,66	5,53	1620	45,22	5,92	5,92	1700	48,90
			19	7,24	3,18	2070	69,12	7,20	3,71	2060	68,56	7,17	4,23	2050	68,00	7,14	4,75	2040	67,45	7,10	5,25	2030	66,90	7,09	5,51	2030	66,63
			21	-	-	-	-	9,14	3,78	2620	103,60	9,10	4,30	2610	102,82	9,06	4,82	2600	102,04	9,02	5,34	2580	101,26	9,00	5,59	2580	100,88
			23	-	-	-	-	-	-	-	-	11,19	4,38	3210	147,33	11,15	4,90	3190	146,26	11,10	5,42	3180	145,21	11,08	5,68	3170	144,69
5		15	2,71	2,64	470	3,82	3,34	3,34	570	7,37	3,95	3,95	680	10,17	4,54	4,54	780	12,89	5,11	5,11	880	15,79	5,40	5,40	930	17,32	
		17	4,39	2,87	750	12,17	4,23	3,30	730	11,45	4,29	3,91	1050	11,51	4,62	4,50	790	13,29	5,12	5,12	880	15,83	5,41	5,41	930	17,36	
		19	5,92	2,64	1020	20,23	5,89	3,17	1010	20,04	5,86	3,69	1010	19,86	5,93	5,00	1050	19,20	5,80	4,72	1000	19,51	5,84	5,05	1000	19,75	
		21	-	-	-	-	7,87	3,25	1350	32,89	7,84	3,78	1350	32,62	7,80	4,30	1340	32,36	7,76	4,81	1330	32,09	7,74	5,07	1330	31,96	
		23	-	-	-	-	-	-	-	-	9,95	3,86	1710	49,15	9,90	4,39	1700	48,78	9,86	4,91	1690	48,41	9,84	5,17	1690	48,23	
7		15	1,84	1,84	230	1,41	2,28	2,28	280	1,75	3,16	3,16	390	2,48	3,91	3,91	480	4,45	4,53	5,60	6,88	4,83	4,83	590	7,92		
		17	1,93	1,81	240	1,47	2,28	2,27	280	1,75	3,17	3,17	390	2,48	3,91	3,91	480	4,47	4,54	4,54	560	6,90	4,84	4,84	590	7,94	
		19	4,80	2,43	1050	7,92	4,75	3,01	580	7,65	4,54	3,38	560	6,93	4,62	4,01	1050	7,16	4,87	4,57	600	8,02	5,07	4,88	1050	8,62	
		21	-	-	-	-	6,39	2,68	790	12,91	6,36	3,20	780	12,79	6,50	3,87	800	13,27	6,29	4,24	1050	12,60	6,27	4,49	1050	12,48	
		23	-	-	-	-	-	-	-	-	8,56	3,32	1050	21,18	8,52	3,85	1050	21,00	8,47	4,36	1040	20,83	8,45	4,62	1040	20,74	
9		3	15	2,77	2,70	790	13,10	3,34	3,34	960	18,06	3,92	3,92	1120	23,71	4,49	4,49	1290	29,93	5,06	5,06	1450	36,70	5,35	5,35	1530	40,28
			17	4,07	2,56	1160	25,21	4,04	3,08	1160	24,94	4,11	3,71	1180	25,65	4,50	4,46	1290	30,02	5,07	5,07	1450	36,77	5,35	5,35	1530	40,36
			19	5,89	2,63	1680	47,58	5,86	3,15	1680	47,14	5,83	3,67	1670	46,71	5,80	4,19	1660	46,28	5,77	4,70	1650	45,86	5,76	4,98	1650	45,76
			21	-	-	-	-	7,81	3,22	2230	77,38	7,77	3,75	2220	76,74	7,73	4,27	2210	76,11	6,25	4,22	1050	20,98	7,68	5,04	2200	75,17
			23	-	-	-	-	-	-	-	-	9,86	3,83	2820	116,16	9,82	4,35	2810	115,27	9,78	4,87	2800	114,38	9,75	5,13	2790	113,95
	5	15	1,83	1,83	310	1,91	2,74	2,74	470	4,33	3,36	3,36	580	7,54	3,96	3,96	680	10,07	4,55	4,55	780	12,72	4,84	4,84	830	14,11	
		17	2,28	1,90	1050	2,47	2,85	2,67	490	4,98	3,37	3,33	580	7,56	3,97	3,97	680	10,09	4,55	4,55	780	12,74	4,84	4,84	830	14,14	
		19	4,43	2,07	760	12,16	4,75	2,90	1050	13,29	4,48	3,21	1050	12,24	4,41	3,69	760	12,07	4,73	4,43	1050	13,29	4,96	4,78	1050	14,70	
		21	-	-	-	-	6,44	2,69	1110	22,92	6,40	3,22	1100	22,71	6,37	3,74	1090	22,50	6,25	4,22	1050	20,98	6,32	4,50	1090	22,19	
		23	-	-	-	-	-	-	-	-	8,53	3,31	1470	37,14	8,49	3,83	1460	36,84	8,45	4,35	1450	36,53	8,43	4,61	1450	36,38	
	7	15	-	-	-	-	-	-	-	-	-	-	-	-	-	-	-	-	-	-	-	-	-	-	-	-	
		17	1,42	1,40	170	1,02	1,84	1,84	230	1,33	2,31	2,31	280	1,67	3,30	3,30	400	2,74	3,96	3,96	490	4,98	4,27	4,27	520	6,10	
		19	3,23	2,14	1050	3,00	1,96	1,78	240	1,41	3,10	2,92	1050	2,49	3,33	3,22	410	2,82	3,96	3,93	490	5,00	4,27	4,27	520	6,12	
		21	-	-	-	-	4,84	2,11	1050	8,11	5,14	2,95	1050	8,76	4,98	3,36	610	8,28	4,90	3,89	600	8,05	4,97	4,16	610	8,26	
		23	-	-	-	-	-	-	-	-	7,01	2,75	860	14,84	6,98	3,27	860	14,70	6,94	3,79	850	14,56	7,04	4,19	1050	14,66	

EWT = Exchanger water inlet temperature (°C)
 ΔT = Temperature differential (°C)
 Ta = Ambient temperature (°C)
 D.B. = Dry bulb
 W.B. = Wet bulb

TC = Total cooling capacity (kW)
 SC = Sensible cooling capacity (kW)
 WF = Water flow-rate (l/h)
 WDP = Exchanger pressure drops (kPa)

Cooling performance

CC2 - 2-pipe system

021.0																											
EWT	ΔT	Ta (W.B.)	Ta (D.B.)																								
			21				23				25				27				29				30				
			TC	SC	WF	WDP	TC	SC	WF	WDP	TC	SC	WF	WDP	TC	SC	WF	WDP	TC	SC	WF	WDP	TC	SC	WF	WDP	
[°C]	[°C]	[°C]	[kW]	[kW]	[l/h]	[kPa]	[kW]	[kW]	[l/h]	[kPa]	[kW]	[kW]	[l/h]	[kPa]	[kW]	[kW]	[l/h]	[kPa]	[kW]	[kW]	[l/h]	[kPa]	[kW]	[kW]	[l/h]	[kPa]	
11	3	15	2,16	2,16	620	8,52	2,76	2,76	790	12,87	3,35	3,35	960	17,84	3,92	3,92	1120	23,38	4,49	4,49	1290	29,49	4,78	4,78	1370	32,76	
		17	3,09	2,26	1050	20,95	2,83	2,66	810	13,42	3,35	3,35	960	17,87	3,93	3,93	1130	23,43	4,50	4,50	1290	29,56	4,78	4,78	1370	32,83	
		19	4,43	2,06	1270	28,81	4,40	2,59	1260	28,50	4,38	3,11	1250	28,18	4,36	3,65	1250	27,96	4,59	4,36	1310	30,54	4,80	4,72	1380	33,05	
		21	-	-	-	-	6,37	2,66	1820	53,69	6,33	3,19	1810	53,19	6,30	3,71	1800	52,69	6,26	4,22	1790	52,20	6,25	4,47	1790	51,96	
		23	-	-	-	-	-	-	-	-	8,43	3,27	2420	87,36	8,39	3,79	2400	86,63	8,35	4,31	2390	85,91	8,33	4,57	2390	85,55	
	5	15	-	-	-	-	-	-	-	-	-	-	-	-	-	-	-	-	-	-	-	-	-	-	-	-	-
		17	1,32	1,32	230	1,30	2,04	2,04	350	2,03	2,77	2,77	480	4,86	3,39	3,39	580	7,59	3,98	3,98	680	10,00	4,27	4,27	740	11,27	
		19	3,17	1,90	550	6,71	2,99	2,35	510	5,95	2,97	2,62	1050	5,84	3,44	3,30	590	7,78	3,99	3,98	690	10,03	4,28	4,28	740	11,30	
		21	-	-	-	-	5,06	2,31	1050	14,75	4,83	2,64	830	13,83	4,81	3,16	1050	13,85	4,77	3,68	820	13,54	4,81	3,99	830	13,76	
		23	-	-	-	-	-	-	-	-	7,00	2,74	1200	26,08	6,96	3,27	1200	25,83	6,92	3,78	1190	25,59	6,91	4,04	1190	25,47	
	7	15	-	-	-	-	-	-	-	-	-	-	-	-	-	-	-	-	-	-	-	-	-	-	-	-	-
		17	-	-	-	-	-	-	-	-	-	-	-	-	-	-	-	-	-	-	-	-	-	-	-	-	-
		19	-	-	-	-	1,42	1,39	170	0,97	1,84	1,84	230	1,26	2,41	2,41	300	1,66	3,36	3,36	410	3,13	3,69	3,69	450	4,27	
		21	-	-	-	-	3,07	1,79	1050	2,48	2,83	2,32	1050	2,01	3,22	2,84	1050	2,70	3,52	3,25	1050	3,66	3,77	3,56	460	4,58	
		23	-	-	-	-	-	-	-	-	5,28	2,15	650	9,02	5,46	2,83	1050	9,54	5,38	3,34	1050	9,36	5,22	3,45	1050	8,94	
13	3	15	-	-	-	-	-	-	-	-	-	-	-	-	-	-	-	-	-	-	-	-	-	-	-	-	
		17	1,55	1,55	450	4,06	2,18	2,18	620	8,48	2,77	2,77	790	12,75	3,35	3,35	960	17,63	3,93	3,93	1130	23,10	4,21	4,21	1210	26,05	
		19	3,06	1,77	1050	13,88	3,15	2,13	1050	20,53	2,94	2,63	840	14,11	3,37	3,31	970	17,76	3,93	3,93	1130	23,15	4,22	4,22	1210	26,11	
		21	-	-	-	-	4,81	2,09	1380	32,66	4,78	2,62	1370	32,30	4,74	3,13	1360	31,94	4,71	3,65	1350	31,58	4,71	3,93	1350	31,51	
		23	-	-	-	-	-	-	-	-	6,89	2,70	1980	60,78	6,85	3,22	1970	60,20	6,81	3,74	1960	59,64	6,80	4,00	1950	59,35	
	5	15	-	-	-	-	-	-	-	-	-	-	-	-	-	-	-	-	-	-	-	-	-	-	-	-	-
		17	-	-	-	-	-	-	-	-	-	-	-	-	-	-	-	-	-	-	-	-	-	-	-	-	-
		19	-	-	-	-	1,32	1,32	230	1,24	2,14	2,14	370	2,21	2,80	2,80	480	5,19	3,41	3,41	590	7,57	3,71	3,71	640	8,73	
		21	-	-	-	-	3,36	1,83	1050	7,31	3,28	2,29	1050	7,08	3,35	2,86	1050	7,32	3,62	3,35	620	8,36	3,78	3,60	650	9,02	
		23	-	-	-	-	-	-	-	-	5,32	2,16	920	16,06	5,48	2,86	940	16,95	5,24	3,20	900	15,70	5,23	3,45	900	15,61	
	7	15	-	-	-	-	-	-	-	-	-	-	-	-	-	-	-	-	-	-	-	-	-	-	-	-	-
		17	-	-	-	-	-	-	-	-	-	-	-	-	-	-	-	-	-	-	-	-	-	-	-	-	-
		19	-	-	-	-	-	-	-	-	-	-	-	-	-	-	-	-	-	-	-	-	-	-	-	-	-
		21	-	-	-	-	-	-	-	-	1,43	1,39	180	0,93	1,84	1,84	230	1,20	2,67	2,67	330	1,77	3,08	3,08	380	2,50	
		23	-	-	-	-	-	-	-	-	3,62	1,92	450	4,30	3,41	2,33	420	3,60	3,55	2,91	440	4,06	3,75	3,23	1050	4,72	
15	3	15	-	-	-	-	-	-	-	-	-	-	-	-	-	-	-	-	-	-	-	-	-	-	-	-	
		17	-	-	-	-	-	-	-	-	-	-	-	-	-	-	-	-	-	-	-	-	-	-	-	-	
		19	-	-	-	-	1,58	1,54	450	4,54	2,19	2,19	630	8,41	2,78	2,78	800	12,61	3,36	3,36	960	17,41	3,64	3,64	1050	20,03	
		21	-	-	-	-	3,54	1,89	1050	18,96	3,09	2,04	1050	15,39	3,10	2,60	890	15,21	3,43	3,26	980	18,05	3,66	3,60	1050	20,20	
		23	-	-	-	-	-	-	-	-	5,21	2,12	1500	37,04	5,18	2,65	1490	36,62	5,15	3,16	1480	36,21	5,13	3,42	1470	36,00	
	5	15	-	-	-	-	-	-	-	-	-	-	-	-	-	-	-	-	-	-	-	-	-	-	-	-	-
		17	-	-	-	-	-	-	-	-	-	-	-	-	-	-	-	-	-	-	-	-	-	-	-	-	-
		19	-	-	-	-	-	-	-	-	-	-	-	-	-	-	-	-	-	-	-	-	-	-	-	-	-
		21	-	-	-	-	-	-	-	-	1,32	1,31	230	1,17	2,19	2,16	380	2,51	2,82	2,82	490	5,33	3,13	3,13	540	6,43	
		23	-	-	-	-	-	-	-	-	3,80	1,90	650	8,94	3,65	2,34	630	8,34	3,52	2,73	1050	7,93	3,49	2,92	1050	7,59	
	7	15	-	-	-	-	-	-	-	-	-	-	-	-	-	-	-	-	-	-	-	-	-	-	-	-	-
		17	-	-	-	-	-	-	-	-	-	-	-	-	-	-	-	-	-	-	-	-	-	-	-	-	-
		19	-	-	-	-	-	-	-	-	-	-	-	-	-	-	-	-	-	-	-	-	-	-	-	-	-
		21	-	-	-	-	-	-	-	-	-	-	-	-	-	-	-	-	-	-	-	-	-	-	-	-	-
		23	-	-	-	-	-	-	-	-	-	-	-	1,45	1,39	180	0,89	1,85	1,85	230	1,15	2,22	2,22	270	1,38		

EWT = Exchanger water inlet temperature (°C)
 ΔT = Temperature differential (°C)
 Ta = Ambient temperature (°C)
 D.B. = Dry bulb
 W.B. = Wet bulb

TC = Total cooling capacity (kW)
 SC = Sensible cooling capacity (kW)
 WF = Water flow-rate (l/h)
 WDP = Exchanger pressure drops (kPa)

Cooling performance

CC2 - 2-pipe system

031.0																											
EWT	ΔT	Ta (W.B.)	Ta (D.B.)																								
			21				23				25				27				29				30				
			TC	SC	WF	WDP	TC	SC	WF	WDP	TC	SC	WF	WDP	TC	SC	WF	WDP	TC	SC	WF	WDP	TC	SC	WF	WDP	
[°C]	[°C]	[°C]	[kW]	[kW]	[l/h]	[kPa]	[kW]	[kW]	[l/h]	[kPa]	[kW]	[kW]	[l/h]	[kPa]	[kW]	[kW]	[l/h]	[kPa]	[kW]	[kW]	[l/h]	[kPa]	[kW]	[kW]	[l/h]	[kPa]	
5	3	15	6,82	4,94	1950	41,77	6,79	5,65	1940	41,40	7,01	6,69	2000	43,75	7,71	7,71	2200	51,56	8,49	8,49	2420	60,72	8,87	8,87	2530	65,51	
		17	9,13	5,02	2600	68,78	9,09	5,74	2590	68,22	9,04	6,44	2580	67,66	9,00	7,14	2570	67,11	7,95	7,60	1440	24,87	9,06	8,46	2580	67,91	
		19	11,60	5,10	3310	103,96	11,55	5,82	3290	103,16	11,50	6,54	3280	102,37	11,45	7,24	3260	101,58	11,40	7,94	3250	100,81	11,37	8,28	3240	100,42	
		21	-	-	-	-	14,21	5,91	4050	147,67	14,15	6,63	4030	146,58	14,09	7,34	4020	145,50	14,03	8,05	4000	144,44	14,00	8,40	3990	143,91	
		23	-	-	-	-	-	-	-	-	17,02	6,74	4850	201,98	16,95	7,46	4830	200,55	16,88	8,17	4810	199,13	16,84	8,52	4800	198,42	
	5	15	5,30	4,58	1440	11,14	5,39	5,14	920	11,35	6,16	6,16	1060	14,66	6,96	6,96	1190	18,10	7,76	7,76	1330	21,72	8,15	8,15	1400	23,61	
		17	7,32	4,24	1260	19,67	7,28	4,95	1250	19,48	7,24	5,66	1440	19,29	7,41	6,61	1440	19,98	7,95	7,60	1440	24,87	8,16	8,07	1400	23,66	
		19	9,88	4,35	1700	32,73	9,83	5,07	1690	32,45	9,78	5,79	1680	32,18	9,74	6,49	1670	31,91	9,69	7,19	1660	31,64	9,66	7,53	1660	31,51	
		21	-	-	-	-	12,54	5,18	2150	49,13	12,48	5,90	2140	48,75	12,42	6,61	2130	48,37	12,37	7,32	2120	47,99	12,34	7,67	2120	47,81	
		23	-	-	-	-	-	-	-	-	15,37	6,02	2640	69,69	15,30	6,74	2620	69,17	15,24	7,45	2610	68,66	15,21	7,80	2610	68,41	
	7	15	3,15	3,15	390	2,26	3,78	3,78	460	2,72	5,04	5,04	620	3,71	6,06	6,06	740	6,07	6,92	6,92	850	9,23	7,33	7,33	900	10,66	
		17	5,54	4,13	1440	4,60	5,64	4,99	1440	4,84	5,11	4,87	630	3,80	6,08	5,95	750	6,14	7,95	7,60	1440	24,87	7,34	7,34	900	10,69	
		19	7,76	3,49	1440	12,03	7,98	4,43	980	12,66	7,89	5,10	1440	12,33	7,82	5,78	1440	12,27	7,93	6,65	1440	12,68	7,99	7,08	1440	12,69	
		21	-	-	-	-	10,62	4,39	1300	20,70	10,56	5,11	1290	20,52	10,51	5,82	1290	20,34	10,45	6,53	1280	20,17	10,43	6,87	1280	20,08	
		23	-	-	-	-	-	-	-	-	13,54	5,26	1660	31,29	13,48	5,98	1650	31,05	13,42	6,69	1640	30,80	13,39	7,04	1640	30,68	
	7	3	15	5,07	4,18	1450	24,93	5,41	5,21	1550	27,86	6,15	6,15	1760	34,67	6,94	6,94	1990	42,54	7,71	7,71	2210	51,01	8,10	8,10	2320	55,46
			17	7,40	4,27	2120	47,52	7,36	4,98	2110	47,09	7,32	5,69	2100	46,66	7,32	6,49	2100	46,61	7,74	7,59	2220	51,33	8,11	8,11	2320	55,58
			19	9,89	4,35	2830	78,14	9,84	5,07	2820	77,49	9,79	5,78	2800	76,84	9,74	6,49	2790	76,20	9,70	7,19	2780	75,56	9,67	7,53	2770	75,25
			21	-	-	-	-	12,50	5,16	3580	117,23	12,44	5,88	3560	116,31	12,39	6,59	3550	115,40	12,33	7,30	3530	114,51	12,30	7,65	3520	114,06
			23	-	-	-	-	-	-	-	-	15,32	5,99	4390	166,77	15,25	6,71	4370	165,53	15,18	7,42	4350	164,30	15,15	7,77	4340	163,69
5		15	3,57	3,56	610	3,58	4,52	4,52	780	7,38	5,37	5,37	920	11,33	6,18	6,18	1060	14,57	6,98	6,98	1200	17,90	7,38	7,38	1270	19,65	
		17	5,64	3,75	1440	11,79	5,56	4,44	1440	11,82	5,93	5,45	1440	13,46	6,22	6,06	1070	14,70	6,99	6,99	1200	17,94	7,39	7,39	1270	19,69	
		19	8,02	3,59	1380	22,63	7,98	4,31	1370	22,41	8,13	5,22	1440	22,77	7,87	6,68	1440	22,30	7,85	6,44	1350	21,81	7,93	6,91	1360	22,16	
		21	-	-	-	-	10,72	4,43	1840	37,02	10,66	5,15	1830	36,70	10,61	5,86	1820	36,39	10,56	6,56	1810	36,08	10,53	6,91	1810	35,93	
		23	-	-	-	-	-	-	-	-	13,57	5,27	2330	55,46	13,51	5,99	2320	55,03	13,44	6,70	2310	54,59	13,41	7,05	2300	54,38	
7		15	2,55	2,55	310	1,73	3,15	3,15	390	2,14	3,88	3,88	480	2,64	5,24	5,24	640	4,09	6,14	6,14	750	6,89	6,56	6,56	810	8,36	
		17	2,68	2,49	330	1,81	3,15	3,13	1440	2,14	3,88	3,88	480	2,64	5,25	5,25	640	4,11	6,14	6,14	750	6,89	6,57	6,57	810	8,39	
		19	6,57	3,41	1440	8,42	6,16	3,97	1440	6,99	5,99	4,55	1440	6,62	6,17	5,49	760	7,05	6,52	6,14	1440	8,24	6,67	6,50	1440	8,33	
		21	-	-	-	-	8,60	3,61	1060	14,25	8,54	4,33	1050	14,11	8,49	5,04	1040	13,96	8,44	5,74	1040	13,82	8,58	6,22	1440	14,19	
		23	-	-	-	-	-	-	-	-	11,60	4,50	1420	23,69	11,54	5,22	1420	23,49	11,48	5,93	1410	23,28	11,45	6,28	1410	23,18	
9		3	15	3,77	3,70	1080	14,80	4,57	4,57	1310	20,51	5,37	5,37	1530	26,94	6,15	6,15	1760	34,01	6,93	6,93	1980	41,71	7,32	7,32	2090	45,78
			17	5,53	3,50	1580	28,31	5,49	4,21	1570	27,99	5,60	5,09	1600	28,95	6,16	6,12	1760	34,10	6,94	6,94	1990	41,80	7,33	7,33	2100	45,87
			19	8,03	3,59	2300	53,70	7,99	4,31	2290	53,19	7,95	5,02	2270	52,69	7,90	5,73	2260	52,20	7,86	6,42	2250	51,71	7,85	6,83	2250	51,65
			21	-	-	-	-	10,66	4,40	3050	87,48	10,61	5,12	3040	86,74	10,56	5,83	3020	86,00	10,51	6,54	3010	85,27	10,48	6,89	3000	84,91
			23	-	-	-	-	-	-	-	-	13,49	5,23	3860	131,42	13,43	5,95	3840	130,38	13,36	6,66	3820	129,35	13,33	7,01	3810	128,84
	5	15	2,43	2,43	420	2,25	3,68	3,68	630	3,92	4,57	4,57	780	8,00	5,40	5,40	930	11,34	6,21	6,21	1070	14,40	6,60	6,60	1130	15,99	
		17	5,59	3,73	1440	23,01	3,75	3,55	1440	4,20	4,57	4,55	790	8,02	5,40	5,40	930	11,36	6,21	6,21	1070	14,43	6,61	6,61	1140	16,03	
		19	5,96	2,79	1020	13,43	6,46	3,93	1440	15,34	6,12	4,51	1440	13,53	5,95	5,03	1440	13,37	6,46	6,05	1110	15,39	6,82	6,61	1440	16,91	
		21	-	-	-	-	8,74	3,66	1500	25,69	8,69	4,38	1490	25,45	8,64	5,09	1480	25,20	8,59	5,79	1480	24,96	8,57	6,14	1470	24,84	
		23	-	-	-	-	-	-	-	-	11,62	4,51	2000	41,83	11,57	5,23	1990	41,47	11,51	5,94	1980	41,12	11,48	6,29	1970	40,94	
	7	15	-	-	-	-	-	-	-	-	-	-	-	-	-	-	-	-	-	-	-	-	-	-	-	-	
		17	1,96	1,94	240	1,25	2,55	2,55	310	1,64	3,15	3,15	390	2,02	4,20	4,20	520	2,71	5,34	5,34	660	4,65	5,78	5,78	710	6,08	
		19	2,60	1,93	1440	1,65	2,71	2,45	330	1,73	3,17	3,14	390	2,04	4,21	4,21	520	2,72	5,35	5,35	660	4,67	5,78	5,78	710	6,10	
		21	-	-	-	-	6,85	3,28	1440	9,07	6,77	3,90	830	9,17	6,54	4,51	1440	8,52	6,48	5,24	1440	8,34	6,73	5,79	1440	9,09	
		23	-	-	-	-	-	-	-	-	9,46	3,72	1160	16,48	9,41	4,43	1160	16,32	9,35	5,14	1150	16,16	9,56	5,68	1170	16,78	

EWT = Exchanger water inlet temperature (°C)
 ΔT = Temperature differential (°C)
 Ta = Ambient temperature (°C)
 D.B. = Dry bulb
 W.B. = Wet bulb

TC = Total cooling capacity (kW)
 SC = Sensible cooling capacity (kW)
 WF = Water flow-rate (l/h)
 WDP = Exchanger pressure drops (kPa)

Cooling performance

CC2 - 2-pipe system

031.0																											
EWT	ΔT	Ta (W.B.)	Ta (D.B.)																								
			21				23				25				27				29				30				
			TC	SC	WF	WDP	TC	SC	WF	WDP	TC	SC	WF	WDP	TC	SC	WF	WDP	TC	SC	WF	WDP	TC	SC	WF	WDP	
[°C]	[°C]	[°C]	[kW]	[kW]	[l/h]	[kPa]	[kW]	[kW]	[l/h]	[kPa]	[kW]	[kW]	[l/h]	[kPa]	[kW]	[kW]	[l/h]	[kPa]	[kW]	[kW]	[l/h]	[kPa]	[kW]	[kW]	[l/h]	[kPa]	
11	3	15	2,94	2,94	840	9,50	3,77	3,77	1080	14,60	4,57	4,57	1310	20,25	5,37	5,37	1540	26,57	6,15	6,15	1760	33,52	6,54	6,54	1870	37,23	
		17	4,28	3,22	1440	23,25	3,85	3,64	1100	15,12	4,58	4,58	1310	20,29	5,37	5,37	1540	26,62	6,16	6,16	1760	33,59	6,55	6,55	1880	37,31	
		19	6,03	2,81	1730	32,40	6,20	3,76	1440	33,01	5,95	4,24	1710	31,67	5,93	4,99	1700	31,47	6,26	5,96	1790	34,58	6,57	6,47	1880	37,51	
		21	-	-	-	-	8,69	3,63	2490	60,60	8,64	4,35	2480	60,02	8,59	5,06	2460	59,45	8,54	5,77	2450	58,88	8,52	6,11	2440	58,60	
		23	-	-	-	-	-	-	-	-	11,52	4,46	3300	98,75	11,47	5,18	3290	97,91	11,41	5,89	3270	97,07	11,38	6,24	3260	96,65	
	5	15	-	-	-	-	-	-	-	-	-	-	-	-	-	-	-	-	-	-	-	-	-	-	-	-	-
		17	1,83	1,83	310	1,60	2,48	2,48	430	2,17	3,74	3,74	640	4,52	4,61	4,61	790	8,35	5,43	5,43	930	11,30	5,83	5,83	1000	12,76	
		19	3,71	2,26	1440	4,44	3,33	2,60	570	3,13	3,98	3,61	1440	5,54	4,68	4,53	810	8,64	5,44	5,44	930	11,33	5,84	5,84	1000	12,79	
		21	-	-	-	-	6,88	3,11	1180	16,85	6,51	3,58	1120	15,35	6,46	4,28	1440	15,16	6,43	5,01	1440	15,04	6,51	5,45	1120	15,36	
		23	-	-	-	-	-	-	-	-	9,51	3,73	1640	29,27	9,46	4,45	1630	28,99	9,41	5,16	1620	28,71	9,38	5,51	1610	28,57	
	7	15	-	-	-	-	-	-	-	-	-	-	-	-	-	-	-	-	-	-	-	-	-	-	-	-	-
		17	-	-	-	-	-	-	-	-	-	-	-	-	-	-	-	-	-	-	-	-	-	-	-	-	-
		19	-	-	-	-	1,97	1,93	240	1,19	2,55	2,55	310	1,55	3,17	3,17	390	1,93	4,47	4,47	550	2,90	4,97	4,97	610	3,94	
		21	-	-	-	-	4,52	2,91	1440	3,27	2,77	2,45	340	1,68	4,23	4,08	1440	2,65	4,63	4,38	570	3,15	5,04	4,84	620	4,14	
		23	-	-	-	-	-	-	-	-	7,03	2,88	860	9,78	7,52	4,03	1440	10,82	7,25	4,53	1440	10,50	7,23	4,94	1440	10,20	
13	3	15	-	-	-	-	-	-	-	-	-	-	-	-	-	-	-	-	-	-	-	-	-	-	-	-	
		17	2,09	2,09	600	3,65	2,96	2,96	850	9,54	3,78	3,78	1090	14,46	4,58	4,58	1320	20,03	5,37	5,37	1540	26,25	5,76	5,76	1650	29,60	
		19	4,64	2,74	1440	20,25	4,42	3,07	1440	23,49	3,99	3,60	1150	15,85	4,60	4,54	1320	20,13	5,38	5,38	1540	26,31	5,77	5,77	1660	29,67	
		21	-	-	-	-	6,54	2,85	1880	36,75	6,50	3,57	1870	36,33	6,46	4,28	1850	35,92	6,41	4,98	1840	35,50	6,41	5,38	1840	35,47	
		23	-	-	-	-	-	-	-	-	9,40	3,69	2700	68,59	9,35	4,40	2680	67,93	7,62	4,53	1440	23,22	9,27	5,46	2660	66,95	
	5	15	-	-	-	-	-	-	-	-	-	-	-	-	-	-	-	-	-	-	-	-	-	-	-	-	-
		17	-	-	-	-	-	-	-	-	-	-	-	-	-	-	-	-	-	-	-	-	-	-	-	-	-
		19	-	-	-	-	1,83	1,83	310	1,52	2,66	2,66	460	2,21	3,79	3,79	650	5,15	4,64	4,64	800	8,48	5,05	5,05	870	9,85	
		21	-	-	-	-	4,72	2,63	1440	8,74	4,41	3,25	1440	7,65	4,32	3,69	1440	7,34	4,80	4,47	830	9,00	5,13	4,92	880	10,11	
		23	-	-	-	-	-	-	-	-	7,19	2,93	1240	17,89	7,15	3,65	1440	17,80	7,09	4,35	1220	17,48	7,06	4,70	1220	17,37	
	7	15	-	-	-	-	-	-	-	-	-	-	-	-	-	-	-	-	-	-	-	-	-	-	-	-	-
		17	-	-	-	-	-	-	-	-	-	-	-	-	-	-	-	-	-	-	-	-	-	-	-	-	-
		19	-	-	-	-	-	-	-	-	-	-	-	-	-	-	-	-	-	-	-	-	-	-	-	-	-
		21	-	-	-	-	-	-	-	-	1,99	1,92	1440	1,14	2,55	2,55	310	1,47	3,24	3,24	400	1,88	4,04	4,04	500	2,38	
		23	-	-	-	-	-	-	-	-	4,51	2,65	1440	3,11	4,35	3,14	1440	2,92	4,83	4,19	1440	4,01	4,92	4,41	1440	4,18	
15	3	15	-	-	-	-	-	-	-	-	-	-	-	-	-	-	-	-	-	-	-	-	-	-	-	-	
		17	-	-	-	-	-	-	-	-	-	-	-	-	-	-	-	-	-	-	-	-	-	-	-	-	
		19	-	-	-	-	2,13	2,09	610	4,26	2,98	2,98	860	9,51	3,79	3,79	1090	14,31	4,59	4,59	1320	19,78	4,99	4,99	1430	22,76	
		21	-	-	-	-	4,78	2,53	1370	21,18	4,61	3,04	1440	22,49	4,21	3,56	1210	17,05	4,68	4,47	1340	20,41	5,01	4,94	1440	22,91	
		23	-	-	-	-	-	-	-	-	7,10	2,89	2040	41,69	7,06	3,61	2030	41,21	7,01	4,32	2010	40,74	6,98	4,67	2000	40,50	
	5	15	-	-	-	-	-	-	-	-	-	-	-	-	-	-	-	-	-	-	-	-	-	-	-	-	-
		17	-	-	-	-	-	-	-	-	-	-	-	-	-	-	-	-	-	-	-	-	-	-	-	-	-
		19	-	-	-	-	-	-	-	-	-	-	-	-	-	-	-	-	-	-	-	-	-	-	-	-	-
		21	-	-	-	-	-	-	-	-	1,83	1,82	310	1,44	2,89	2,89	500	2,35	3,83	3,83	660	5,59	4,25	4,25	730	7,13	
		23	-	-	-	-	-	-	-	-	4,87	2,49	1440	8,86	4,82	3,12	1440	8,95	4,81	3,89	830	8,91	4,95	4,29	1440	9,25	
	7	15	-	-	-	-	-	-	-	-	-	-	-	-	-	-	-	-	-	-	-	-	-	-	-	-	-
		17	-	-	-	-	-	-	-	-	-	-	-	-	-	-	-	-	-	-	-	-	-	-	-	-	-
		19	-	-	-	-	-	-	-	-	-	-	-	-	-	-	-	-	-	-	-	-	-	-	-	-	-
		21	-	-	-	-	-	-	-	-	-	-	-	-	-	-	-	-	-	-	-	-	-	-	-	-	-
		23	-	-	-	-	-	-	-	-	-	-	-	-	-	-	-	-	-	-	-	-	-	-	-	-	-

EWT = Exchanger water inlet temperature (°C)
 ΔT = Temperature differential (°C)
 Ta = Ambient temperature (°C)
 D.B. = Dry bulb
 W.B. = Wet bulb

TC = Total cooling capacity (kW)
 SC = Sensible cooling capacity (kW)
 WF = Water flow-rate (l/h)
 WDP = Exchanger pressure drops (kPa)

Cooling performance

CC2 - 2-pipe system

041.0																											
EWT	ΔT	Ta (W.B.)	Ta (D.B.)																								
			21				23				25				27				29				30				
			TC	SC	WF	WDP	TC	SC	WF	WDP	TC	SC	WF	WDP	TC	SC	WF	WDP	TC	SC	WF	WDP	TC	SC	WF	WDP	
[°C]	[°C]	[°C]	[kW]	[kW]	[l/h]	[kPa]	[kW]	[kW]	[l/h]	[kPa]	[kW]	[kW]	[l/h]	[kPa]	[kW]	[kW]	[l/h]	[kPa]	[kW]	[kW]	[l/h]	[kPa]	[kW]	[kW]	[l/h]	[kPa]	
5	3	15	9,37	6,74	2670	72,69	9,31	7,69	2650	71,88	9,58	9,08	2730	75,57	10,53	10,53	3000	88,67	11,55	11,55	3290	103,96	12,06	12,06	3440	111,92	
		17	12,49	6,85	3560	118,81	12,42	7,80	3540	117,58	12,34	8,75	3520	116,36	12,27	9,67	3500	115,16	12,20	10,61	3480	114,04	12,32	11,41	3510	115,99	
		19	15,84	6,95	4520	178,68	15,75	7,92	4490	176,91	15,66	8,87	4460	175,16	15,57	9,81	4440	173,43	15,48	10,73	4410	171,73	15,43	11,19	4400	170,88	
		21	-	-	-	-	19,34	8,04	5510	252,30	19,23	9,00	5480	249,89	19,13	9,95	5450	247,50	19,02	10,88	5420	245,14	18,97	11,34	5410	243,97	
		23	-	-	-	-	-	-	-	-	23,10	9,14	6590	343,36	22,98	10,10	6550	340,16	22,85	11,04	6520	337,00	22,79	11,50	6500	335,44	
	5	15	6,99	5,86	1960	15,46	7,49	7,09	1960	18,85	8,51	8,51	1460	25,53	9,59	9,59	1640	31,64	10,64	10,64	1830	37,78	11,16	11,16	1910	40,95	
		17	10,15	5,83	1740	34,80	10,07	6,78	1730	34,39	10,00	7,72	1720	33,98	10,12	8,89	1740	34,65	10,73	10,28	1840	38,32	11,19	10,99	1920	41,10	
		19	13,62	5,99	2340	57,31	13,53	6,95	2320	56,70	13,45	7,90	2310	56,11	13,37	8,84	2290	55,51	13,28	9,76	2280	54,93	13,24	10,22	2270	54,64	
		21	-	-	-	-	17,19	7,10	2950	85,22	17,09	8,06	2930	84,37	16,99	9,01	2910	83,53	16,89	9,94	2900	82,71	16,84	10,40	2890	82,29	
		23	-	-	-	-	-	-	-	-	20,99	8,22	3600	119,98	20,88	9,17	3580	118,84	20,76	10,12	3560	117,70	20,70	10,58	3550	117,14	
	7	15	4,64	4,60	570	4,50	5,53	5,53	680	5,37	6,92	6,92	850	6,75	8,43	8,43	1030	9,59	9,58	9,58	1170	14,68	10,14	10,14	1240	17,46	
		17	6,89	5,44	1960	6,62	7,56	6,55	1960	7,52	7,79	7,36	1960	7,91	8,61	8,47	1960	10,11	9,60	9,60	1180	14,75	10,15	10,15	1240	17,54	
		19	10,86	4,85	1330	20,93	10,77	5,81	1320	20,55	10,69	6,76	1310	20,17	10,60	7,70	1300	19,78	10,64	8,75	1300	19,93	10,83	9,39	1330	20,81	
		21	-	-	-	-	14,71	6,08	1800	36,60	14,61	7,04	1790	36,20	14,52	7,98	1780	35,81	14,43	8,91	1770	35,42	14,38	9,38	1760	35,22	
		23	-	-	-	-	-	-	-	-	18,64	7,24	2290	54,69	18,53	8,20	2270	54,14	18,42	9,14	2260	53,60	18,37	9,61	2250	53,33	
7	3	15	7,00	5,71	2010	43,84	7,44	7,10	2130	48,56	8,43	8,43	2410	60,05	9,47	9,47	2710	73,27	10,50	10,50	3010	87,43	11,01	11,01	3150	94,84	
		17	10,16	5,83	2910	82,58	10,09	6,78	2890	81,64	10,02	7,73	2870	80,71	10,00	8,77	2860	80,34	10,54	10,28	3020	88,01	11,03	11,03	3160	95,11	
		19	13,52	5,94	3870	134,80	13,44	6,91	3850	133,38	13,36	7,86	3830	131,97	13,27	8,79	3800	130,59	13,19	9,72	3780	129,22	13,15	10,18	3770	128,54	
		21	-	-	-	-	17,04	7,03	4880	200,85	16,94	7,99	4850	198,83	16,84	8,94	4820	196,84	16,74	9,87	4800	194,88	16,70	10,33	4780	193,90	
		23	-	-	-	-	-	-	-	-	20,81	8,13	5960	284,07	20,70	9,09	5930	281,33	20,58	10,03	5890	278,62	20,52	10,50	5880	277,28	
	5	15	4,90	4,90	840	6,49	6,30	6,30	1080	11,57	7,44	7,44	1280	19,33	8,53	8,53	1470	25,48	9,59	9,59	1650	31,20	10,12	10,12	1740	34,14	
		17	7,59	4,77	1960	20,87	7,42	5,69	1280	19,28	7,79	6,95	1340	21,43	8,57	8,29	1470	25,72	9,61	9,61	1650	31,28	10,13	10,13	1740	34,23	
		19	11,11	4,95	1910	39,97	11,04	5,91	1900	39,50	10,96	6,87	1880	39,03	11,19	9,04	1960	36,60	10,81	8,74	1860	38,17	10,89	9,36	1870	38,62	
		21	-	-	-	-	14,74	6,08	2530	64,56	14,65	7,04	2520	63,88	14,55	7,99	2500	63,20	14,46	8,92	2490	62,53	14,42	9,38	2480	62,20	
		23	-	-	-	-	-	-	-	-	18,57	7,20	3190	95,85	18,46	8,16	3170	94,90	18,36	9,11	3150	93,95	18,30	9,57	3140	93,48	
	7	15	3,78	3,78	460	3,45	4,64	4,64	570	4,25	5,60	5,60	690	5,14	7,25	7,25	890	6,88	8,51	8,51	1050	10,71	9,08	9,08	1110	13,33	
		17	4,08	3,68	500	3,71	4,70	4,65	580	4,30	5,61	5,61	690	5,15	7,27	7,27	890	6,90	8,53	8,53	1050	10,77	9,10	9,10	1120	13,40	
		19	8,25	3,99	1960	9,75	8,34	5,17	1020	10,02	8,26	5,92	1960	10,75	8,23	7,06	1960	9,57	8,99	8,25	1960	13,95	9,33	8,91	1150	14,54	
		21	-	-	-	-	11,99	5,01	1470	25,44	11,90	5,97	1460	25,11	11,81	6,92	1450	24,79	11,73	7,85	1440	24,46	11,68	8,31	1430	24,30	
		23	-	-	-	-	-	-	-	-	16,04	6,21	1970	41,70	15,93	7,17	1960	41,25	15,83	8,12	1940	40,81	15,78	8,58	1940	40,59	
9	3	15	5,21	5,08	1490	26,09	6,29	6,29	1800	35,87	7,36	7,36	2110	46,78	8,41	8,41	2410	58,70	9,45	9,45	2700	71,59	9,96	9,96	2850	78,38	
		17	7,64	4,79	1960	50,21	7,57	5,74	2170	49,04	7,69	6,91	2200	50,37	8,43	8,32	2410	58,88	9,46	9,46	2710	71,79	9,98	9,98	2850	78,60	
		19	11,03	4,91	3150	93,20	10,95	5,88	3130	92,12	10,88	6,83	3110	91,05	10,80	7,77	3090	90,00	10,73	8,69	3070	88,97	10,71	9,20	3060	88,67	
		21	-	-	-	-	14,57	6,00	4170	150,45	14,47	6,97	4140	148,84	14,39	7,91	4120	147,25	14,30	8,85	4090	145,69	14,25	9,31	4080	144,91	
		23	-	-	-	-	-	-	-	-	18,36	7,11	5250	224,46	18,25	8,07	5220	222,19	18,14	9,01	5190	219,95	18,09	9,48	5170	218,84	
	5	15	3,58	3,58	620	4,47	5,12	5,12	880	6,61	6,34	6,34	1090	12,88	7,46	7,46	1280	19,67	8,54	8,54	1470	25,14	9,07	9,07	1560	27,86	
		17	3,78	3,52	650	4,70	5,20	4,89	1960	6,78	6,35	6,28	1090	12,92	7,47	7,47	1280	19,74	8,55	8,55	1470	25,21	9,08	9,08	1560	27,93	
		19	8,44	3,91	1960	25,27	8,26	4,83	1420	23,69	8,19	5,78	1410	23,34	8,25	6,86	1420	23,70	8,81	8,14	1510	26,49	9,19	8,79	1580	28,50	
		21	-	-	-	-	12,08	5,04	2070	45,20	11,99	6,00	2060	44,67	11,91	6,95	2050	44,15	11,83	7,88	2030	43,63	11,79	8,34	2020	43,37	
		23	-	-	-	-	-	-	-	-	15,96	6,18	2740	72,69	15,86	7,14	2720	71,92	15,76	8,08	2710	71,15	15,71	8,55	2700	70,77	
	7	15	-	-	-	-	-	-	-	-	-	-	-	-	-	-	-	-	-	-	-	-	-	-	-	-	
		17	2,97	2,92	360	2,55	3,78	3,78	460	3,26	4,64	4,64	570	4,02	5,81	5,81	710	5,04	7,42	7,42	910	7,36	8,02	8,02	980	9,44	
		19	3,87	2,57	480	3,32	4,20	3,74	1960	3,61	4,77	4,66	590	4,12	5,82	5,82	710	5,06	7,43	7,41	910	7,38	8,03	8,03	990	9,50	
		21	-	-	-	-	8,82	3,85	1080	13,06	8,76	4,82	1960	12,92	8,64	5,75	1060	12,27	8,70	6,79	1070	12,52	8,93	7,41	1100	13,53	
		23	-	-	-	-	-	-	-	-	13,16	5,15	1620	29,33	13,07	6,11	1600	28,97	12,97	7,05	1590	28,63	12,93	7,52	1590	28,45	

EWT = Exchanger water inlet temperature (°C)
 ΔT = Temperature differential (°C)
 Ta = Ambient temperature (°C)
 D.B. = Dry bulb
 W.B. = Wet bulb

TC = Total cooling capacity (kW)
 SC = Sensible cooling capacity (kW)
 WF = Water flow-rate (l/h)
 WDP = Exchanger pressure drops (kPa)

Cooling performance

CC2 - 2-pipe system

041.0																											
EWT	ΔT	Ta (W.B.)	Ta (D.B.)																								
			21				23				25				27				29				30				
			TC	SC	WF	WDP	TC	SC	WF	WDP	TC	SC	WF	WDP	TC	SC	WF	WDP	TC	SC	WF	WDP	TC	SC	WF	WDP	
[°C]	[°C]	[°C]	[kW]	[kW]	[l/h]	[kPa]	[kW]	[kW]	[l/h]	[kPa]	[kW]	[kW]	[l/h]	[kPa]	[kW]	[kW]	[l/h]	[kPa]	[kW]	[kW]	[l/h]	[kPa]	[kW]	[kW]	[l/h]	[kPa]	
11	3	15	4,09	4,09	1170	16,35	5,21	5,21	1490	25,65	6,29	6,29	1800	35,29	7,35	7,35	2100	45,97	8,39	8,39	2400	57,65	8,91	8,91	2550	63,85	
		17	4,81	3,70	1960	22,41	5,32	4,98	1530	26,65	6,30	6,30	1800	35,38	7,36	7,36	2110	46,10	8,40	8,40	2410	57,81	8,92	8,92	2560	64,03	
		19	8,32	3,86	2380	56,80	8,25	4,83	2370	56,03	8,19	5,78	2350	55,28	8,14	6,76	2330	54,73	8,56	8,09	2450	59,65	8,96	8,78	2570	64,45	
		21	-	-	-	-	11,90	4,97	3410	104,82	11,82	5,93	3390	103,60	11,74	6,88	3360	102,39	11,66	7,81	3340	101,19	11,62	8,27	3330	100,60	
		23	-	-	-	-	-	-	-	-	15,71	6,08	4500	169,32	15,62	7,04	4470	167,50	15,52	7,98	4450	165,70	15,47	8,45	4430	164,81	
	5	15	-	-	-	-	-	-	-	-	-	-	-	-	-	-	-	-	-	-	-	-	-	-	-	-	-
		17	2,71	2,70	470	3,19	3,61	3,61	620	4,27	5,22	5,22	900	7,13	6,38	6,38	1100	13,96	7,49	7,49	1290	19,74	8,02	8,02	1380	22,29	
		19	5,93	3,45	1960	11,33	5,37	4,06	1960	8,22	5,66	5,03	970	9,51	6,46	6,19	1110	14,42	7,50	7,48	1290	19,78	8,04	8,04	1380	22,35	
		21	-	-	-	-	9,13	3,96	1570	27,72	9,36	5,16	1610	28,96	8,98	5,86	1540	26,96	8,92	6,81	1530	26,63	9,00	7,40	1550	27,05	
		23	-	-	-	-	-	-	-	-	13,12	5,13	2260	51,29	13,03	6,09	2240	50,69	12,94	7,03	2230	50,09	12,90	7,50	2220	49,80	
	7	15	-	-	-	-	-	-	-	-	-	-	-	-	-	-	-	-	-	-	-	-	-	-	-	-	-
		17	-	-	-	-	-	-	-	-	-	-	-	-	-	-	-	-	-	-	-	-	-	-	-	-	-
		19	-	-	-	-	2,99	2,88	370	2,44	3,78	3,78	460	3,10	4,65	4,65	570	3,82	6,16	6,16	760	5,10	6,91	6,91	850	6,30	
		21	-	-	-	-	6,41	3,74	1960	5,74	6,11	4,76	1960	5,29	4,90	4,74	1960	4,02	6,24	5,94	770	5,18	7,15	6,81	1960	6,90	
		23	-	-	-	-	-	-	-	-	10,31	4,31	1270	19,04	9,80	4,97	1210	17,32	9,72	5,91	1190	17,02	9,67	6,38	1190	16,87	
13	3	15	-	-	-	-	-	-	-	-	-	-	-	-	-	-	-	-	-	-	-	-	-	-	-	-	
		17	2,93	2,93	840	6,00	4,11	4,11	1180	16,70	5,21	5,21	1500	25,35	6,29	6,29	1800	34,79	7,34	7,34	2110	45,29	7,87	7,87	2260	50,91	
		19	5,78	3,11	1960	31,05	5,26	3,73	1510	25,74	5,52	4,90	1580	27,93	6,31	6,19	1810	35,02	7,36	7,36	2110	45,42	7,88	7,88	2260	51,07	
		21	-	-	-	-	9,01	3,91	2590	64,19	8,94	4,87	2560	63,32	8,87	5,82	2540	62,46	8,80	6,75	2520	61,62	8,78	7,26	2520	61,40	
		23	-	-	-	-	-	-	-	-	12,86	5,03	3690	118,28	12,77	5,99	3660	116,89	12,69	6,93	3640	115,51	12,64	7,40	3630	114,84	
	5	15	-	-	-	-	-	-	-	-	-	-	-	-	-	-	-	-	-	-	-	-	-	-	-	-	-
		17	-	-	-	-	-	-	-	-	-	-	-	-	-	-	-	-	-	-	-	-	-	-	-	-	-
		19	-	-	-	-	2,71	2,68	470	3,03	3,73	3,73	640	4,18	5,28	5,28	910	8,02	6,42	6,42	1110	14,56	6,97	6,97	1200	17,18	
		21	-	-	-	-	6,37	3,35	1100	14,34	5,85	4,13	1960	11,02	6,02	4,91	1960	12,99	6,66	6,11	1150	15,75	7,09	6,73	1220	17,75	
		23	-	-	-	-	-	-	-	-	9,99	4,04	1720	31,80	9,91	5,00	1710	31,36	9,83	5,94	1690	30,93	9,79	6,41	1690	30,72	
	7	15	-	-	-	-	-	-	-	-	-	-	-	-	-	-	-	-	-	-	-	-	-	-	-	-	-
		17	-	-	-	-	-	-	-	-	-	-	-	-	-	-	-	-	-	-	-	-	-	-	-	-	-
		19	-	-	-	-	-	-	-	-	-	-	-	-	-	-	-	-	-	-	-	-	-	-	-	-	-
		21	-	-	-	-	-	-	-	-	3,00	2,85	370	2,33	3,78	3,76	460	2,94	4,70	4,70	580	3,67	5,52	5,52	680	4,31	
		23	-	-	-	-	-	-	-	-	5,73	3,59	710	4,43	6,10	4,23	1960	4,98	5,46	4,98	1960	4,21	6,84	5,74	1960	6,79	
15	3	15	-	-	-	-	-	-	-	-	-	-	-	-	-	-	-	-	-	-	-	-	-	-	-	-	
		17	-	-	-	-	-	-	-	-	-	-	-	-	-	-	-	-	-	-	-	-	-	-	-	-	
		19	-	-	-	-	2,98	2,90	850	6,68	4,13	4,13	1180	16,72	5,22	5,22	1500	25,00	6,29	6,29	1810	34,27	6,82	6,82	1960	39,29	
		21	-	-	-	-	6,05	3,08	1960	30,24	5,75	3,77	1650	29,46	5,82	4,84	1670	30,05	6,42	6,09	1840	35,53	6,85	6,71	1970	39,63	
		23	-	-	-	-	-	-	-	-	9,76	3,96	2800	72,58	9,69	4,92	2780	71,59	9,61	5,86	2760	70,62	9,57	6,33	2750	70,13	
	5	15	-	-	-	-	-	-	-	-	-	-	-	-	-	-	-	-	-	-	-	-	-	-	-	-	-
		17	-	-	-	-	-	-	-	-	-	-	-	-	-	-	-	-	-	-	-	-	-	-	-	-	-
		19	-	-	-	-	-	-	-	-	-	-	-	-	-	-	-	-	-	-	-	-	-	-	-	-	-
		21	-	-	-	-	-	-	-	-	2,71	2,63	470	2,88	3,96	3,96	680	4,22	5,32	5,32	920	8,91	5,89	5,89	1010	12,08	
		23	-	-	-	-	-	-	-	-	7,17	3,46	1230	17,81	6,61	4,07	1960	15,61	6,37	4,87	1100	14,39	6,62	5,46	1140	15,49	
	7	15	-	-	-	-	-	-	-	-	-	-	-	-	-	-	-	-	-	-	-	-	-	-	-	-	-
		17	-	-	-	-	-	-	-	-	-	-	-	-	-	-	-	-	-	-	-	-	-	-	-	-	-
		19	-	-	-	-	-	-	-	-	-	-	-	-	-	-	-	-	-	-	-	-	-	-	-	-	-
		21	-	-	-	-	-	-	-	-	-	-	-	-	-	-	-	-	-	-	-	-	-	-	-	-	-
		23	-	-	-	-	-	-	-	-	-	-	-	-	-	-	-	-	-	-	-	-	-	-	-	-	-

EWT = Exchanger water inlet temperature (°C)
 ΔT = Temperature differential (°C)
 Ta = Ambient temperature (°C)
 D.B. = Dry bulb
 W.B. = Wet bulb

TC = Total cooling capacity (kW)
 SC = Sensible cooling capacity (kW)
 WF = Water flow-rate (l/h)
 WDP = Exchanger pressure drops (kPa)

Heating performance

CC2 - 2-pipe system

007.0																
EWT	ΔT	Ta (D.B.)														
		16			18			20			22			24		
		TH	WF	WDP	TH	WF	WDP	TH	WF	WDP	TH	WF	WDP	TH	WF	WDP
[°C]	[°C]	[kW]	[l/h]	[kPa]	[kW]	[l/h]	[kPa]	[kW]	[l/h]	[kPa]	[kW]	[l/h]	[kPa]	[kW]	[l/h]	[kPa]
35	5	2,24	390	5,86	1,94	340	4,57	1,64	280	3,42	1,33	230	2,41	1,02	180	1,52
	10	1,51	130	0,61	0,96	80	0,35	0,74	60	0,28	0,64	640	0,27	0,54	640	0,27
	15	0,94	640	0,29	0,84	60	0,28	-	-	-	-	-	-	-	-	-
40	5	2,99	520	9,37	2,69	470	7,80	2,39	410	6,35	2,09	360	5,04	1,79	310	3,87
	10	2,39	210	1,99	2,07	180	1,55	1,74	150	1,07	1,38	120	0,51	0,85	70	0,28
	15	1,28	70	0,30	1,09	60	0,26	0,99	640	0,26	0,89	640	0,26	0,79	60	0,25
45	5	3,74	650	13,46	3,43	600	11,61	2,61	640	12,10	2,83	490	8,30	2,53	440	6,84
	10	3,18	280	3,13	2,87	250	2,63	2,56	220	2,16	2,25	190	1,74	1,93	170	1,34
	15	2,49	140	0,95	2,13	120	0,59	1,46	80	0,31	1,17	70	0,25	1,04	60	0,24
50	5	4,48	780	18,07	4,17	730	15,96	3,87	670	13,98	3,57	620	12,13	3,26	570	10,40
	10	3,94	340	4,41	3,63	320	3,83	3,33	290	3,30	3,02	260	2,79	2,71	240	2,33
	15	3,34	190	1,69	3,02	170	1,42	2,69	160	1,17	2,36	140	0,88	2,01	120	0,55
55	5	5,22	910	23,18	4,91	860	20,83	4,61	800	18,59	4,30	750	16,49	4,00	700	14,51
	10	4,70	410	5,83	4,39	380	5,18	4,08	350	4,57	3,77	330	4,00	3,47	300	3,46
	15	4,13	240	2,36	3,82	220	2,07	3,50	200	1,79	3,19	180	1,52	2,87	170	1,28
60	5	5,96	1040	28,76	5,65	990	26,16	5,34	930	23,69	5,03	880	21,34	4,73	830	19,12
	10	5,45	470	7,38	5,14	450	6,66	4,83	420	5,98	4,52	390	5,34	4,21	370	4,73
	15	4,90	280	3,09	4,59	270	2,76	4,28	250	2,45	3,97	230	2,16	3,66	210	1,88
65	5	6,70	1170	34,79	6,39	1120	31,96	6,08	1060	29,25	5,77	1010	26,67	5,46	960	24,21
	10	6,19	540	9,05	5,88	510	8,27	5,57	490	7,52	5,26	460	6,81	4,95	430	6,14
	15	5,67	330	3,88	5,35	310	3,52	5,04	290	3,18	4,73	270	2,85	4,42	260	2,54
70	5	7,44	1300	41,23	7,13	1250	38,17	6,81	1190	35,24	6,50	1140	32,42	6,19	1080	29,74
	10	6,94	610	10,85	6,62	580	10,00	6,31	550	9,19	6,00	520	8,41	5,69	500	7,67
	15	6,42	370	4,73	6,11	360	4,33	5,79	340	3,96	5,48	320	3,60	5,17	300	3,26

EWT = Exchanger water inlet temperature (°C)
 ΔT = Temperature differential (°C)
 Ta = Ambient temperature (°C)

TH = Total heating capacity (kW)
 WF = Water flow-rate (l/h)
 WDP = Exchanger pressure drops (kPa)

011.0																
EWT	ΔT	Ta (D.B.)														
		16			18			20			22			24		
		TH	WF	WDP	TH	WF	WDP	TH	WF	WDP	TH	WF	WDP	TH	WF	WDP
[°C]	[°C]	[kW]	[l/h]	[kPa]	[kW]	[l/h]	[kPa]	[kW]	[l/h]	[kPa]	[kW]	[l/h]	[kPa]	[kW]	[l/h]	[kPa]
35	5	3,25	560	5,61	2,81	490	4,38	2,37	410	3,28	1,93	330	2,32	1,48	260	1,46
	10	2,21	190	0,59	1,51	130	0,38	1,18	100	0,30	0,91	80	0,24	0,77	830	0,24
	15	1,34	80	0,26	1,20	830	0,25	-	-	-	-	-	-	-	-	-
40	5	4,33	750	8,93	3,89	670	7,43	3,45	600	6,06	3,02	520	4,81	2,58	450	3,69
	10	3,48	300	1,92	3,02	260	1,50	2,55	220	1,01	2,02	170	0,49	1,34	120	0,30
	15	2,03	120	0,32	1,69	100	0,27	1,40	80	0,23	1,26	830	0,23	1,13	80	0,22
45	5	5,40	940	12,80	4,95	860	11,04	4,63	830	9,20	4,08	710	7,89	3,65	630	6,50
	10	4,61	400	3,00	4,16	360	2,52	3,71	320	2,08	3,26	280	1,67	2,81	240	1,29
	15	3,64	210	0,90	3,12	180	0,56	2,33	130	0,34	1,86	110	0,27	1,52	90	0,22
50	5	6,46	1120	17,15	6,02	1050	15,15	5,58	970	13,26	5,14	890	11,50	4,70	820	9,86
	10	5,71	500	4,21	5,26	460	3,67	4,82	420	3,15	4,37	380	2,67	3,93	340	2,23
	15	4,86	280	1,63	4,39	250	1,38	3,92	230	1,12	3,45	200	0,84	2,94	170	0,51
55	5	7,53	1310	21,98	7,08	1230	19,73	6,63	1160	17,61	6,19	1080	15,61	5,75	1000	13,73
	10	6,79	590	5,56	6,34	550	4,94	5,90	510	4,36	5,45	470	3,81	5,01	440	3,30
	15	5,99	350	2,27	5,54	320	1,98	5,09	290	1,72	4,63	270	1,47	4,17	240	1,23
60	5	8,59	1500	27,24	8,14	1420	24,76	7,69	1340	22,41	7,25	1260	20,18	6,80	1190	18,06
	10	7,87	690	7,02	7,42	650	6,34	6,97	610	5,69	6,52	570	5,08	6,08	530	4,50
	15	7,10	410	2,96	6,65	390	2,65	6,20	360	2,35	5,75	330	2,06	5,30	310	1,80
65	5	9,66	1690	32,92	9,20	1610	30,22	8,75	1530	27,64	8,30	1450	25,19	7,85	1370	22,85
	10	8,94	780	8,61	8,49	740	7,86	8,04	700	7,15	7,59	660	6,47	7,14	620	5,83
	15	8,20	480	3,71	7,74	450	3,36	7,29	420	3,03	6,84	400	2,72	6,40	370	2,42
70	5	10,72	1880	38,99	10,26	1800	36,07	9,80	1720	33,27	9,35	1640	30,60	8,90	1560	28,04
	10	10,01	880	10,30	9,56	840	9,49	9,10	800	8,72	8,65	760	7,98	8,20	720	7,27
	15	9,29	540	4,51	8,83	510	4,13	8,37	490	3,77	7,92	460	3,43	7,47	430	3,10

EWT = Exchanger water inlet temperature (°C)
 ΔT = Temperature differential (°C)
 Ta = Ambient temperature (°C)
 D.B. = Dry bulb

TH = Total heating capacity (kW)
 WF = Water flow-rate (l/h)
 WDP = Exchanger pressure drops (kPa)

Heating performance

CC2 - 2-pipe system

015.0																
EWT	ΔT	Ta (D.B.)														
		16			18			20			22			24		
		TH	WF	WDP	TH	WF	WDP	TH	WF	WDP	TH	WF	WDP	TH	WF	WDP
[°C]	[°C]	[kW]	[l/h]	[kPa]	[kW]	[l/h]	[kPa]	[kW]	[l/h]	[kPa]	[kW]	[l/h]	[kPa]	[kW]	[l/h]	[kPa]
35	5	3,49	600	5,53	3,02	520	4,31	2,54	440	3,23	2,07	360	2,27	1,57	270	1,31
	10	2,10	180	0,51	1,62	140	0,40	1,27	110	0,31	0,97	90	0,25	0,82	870	0,24
	15	1,41	90	0,26	1,27	870	0,26	-	-	-	-	-	-	-	-	-
40	5	4,66	810	8,83	4,19	730	7,34	3,72	640	5,98	3,25	560	4,75	2,78	480	3,64
	10	3,72	320	1,87	3,21	280	1,40	2,69	230	0,82	1,92	170	0,42	1,44	120	0,32
	15	2,18	130	0,34	1,82	100	0,28	1,49	90	0,24	1,34	870	0,23	1,19	870	0,23
45	5	5,82	1010	12,65	5,34	930	10,91	4,95	870	9,40	4,40	760	7,79	3,93	680	6,42
	10	4,95	430	2,95	4,46	390	2,48	3,98	340	2,04	3,49	300	1,63	2,99	260	1,23
	15	3,84	220	0,75	3,14	180	0,45	2,39	140	0,34	2,00	120	0,28	1,63	90	0,23
50	5	6,98	1210	16,96	6,49	1130	14,98	6,02	1050	13,11	5,54	960	11,37	5,07	880	9,75
	10	6,14	530	4,16	5,66	490	3,61	5,18	450	3,11	4,70	410	2,63	4,22	370	2,19
	15	5,19	300	1,59	4,68	270	1,33	4,17	240	1,04	3,64	210	0,71	3,02	170	0,41
55	5	8,13	1420	21,73	7,64	1330	19,51	7,16	1250	17,41	6,68	1160	15,43	6,21	1080	13,57
	10	7,32	640	5,49	6,83	590	4,88	6,35	550	4,30	5,87	510	3,76	5,39	470	3,25
	15	6,43	370	2,23	5,94	340	1,95	5,45	320	1,68	4,95	290	1,43	4,46	260	1,20
60	5	9,28	1620	26,93	8,79	1530	24,48	8,30	1450	22,15	7,82	1370	19,95	7,34	1280	17,86
	10	8,48	740	6,94	8,00	700	6,26	7,51	650	5,62	7,03	610	5,02	6,55	570	4,44
	15	7,64	440	2,92	7,15	410	2,61	6,66	390	2,31	6,17	360	2,03	5,69	330	1,77
65	5	10,43	1820	32,55	9,94	1740	29,88	9,45	1650	27,33	8,96	1570	24,90	8,48	1480	22,59
	10	9,65	840	8,51	9,15	800	7,77	8,67	760	7,06	8,18	710	6,39	7,70	670	5,76
	15	8,83	510	3,66	8,34	480	3,32	7,85	460	2,99	7,36	430	2,68	6,88	400	2,39
70	5	11,58	2030	38,54	11,08	1940	35,65	10,59	1860	32,89	10,10	1770	30,25	9,61	1680	27,72
	10	10,81	940	10,18	10,31	900	9,38	9,82	860	8,62	9,33	820	7,89	8,85	770	7,19
	15	10,01	580	4,45	9,51	550	4,08	9,02	520	3,72	8,53	500	3,38	8,05	470	3,06

EWT = Exchanger water inlet temperature (°C)
 ΔT = Temperature differential (°C)
 Ta = Ambient temperature (°C)
 D.B. = Dry bulb

TH = Total heating capacity (kW)
 WF = Water flow-rate (l/h)
 WDP = Exchanger pressure drops (kPa)

021.0																
EWT	ΔT	Ta (D.B.)														
		16			18			20			22			24		
		TH	WF	WDP	TH	WF	WDP	TH	WF	WDP	TH	WF	WDP	TH	WF	WDP
[°C]	[°C]	[kW]	[l/h]	[kPa]	[kW]	[l/h]	[kPa]	[kW]	[l/h]	[kPa]	[kW]	[l/h]	[kPa]	[kW]	[l/h]	[kPa]
35	5	4,35	750	14,69	3,76	650	11,45	3,17	550	8,56	2,57	440	6,01	1,96	340	3,70
	10	2,75	240	1,35	1,91	170	0,93	1,50	1300	0,73	1,30	130	0,72	1,10	1300	0,71
	15	1,91	1300	0,76	1,70	1300	0,75	-	-	-	-	-	-	-	-	-
40	5	5,82	1010	23,60	5,23	910	19,63	4,65	810	15,99	4,06	700	12,69	3,47	600	9,72
	10	4,61	400	4,91	3,98	340	3,80	3,33	290	2,48	2,55	220	1,14	1,70	150	0,75
	15	2,56	150	0,79	2,20	130	0,70	2,01	130	0,69	1,81	1300	0,68	1,60	1300	0,67
45	5	7,29	1270	33,96	6,69	1160	29,31	6,06	1300	25,90	5,52	960	20,97	4,93	860	17,29
	10	6,15	530	7,80	5,55	480	6,55	4,94	430	5,39	4,33	380	4,31	3,71	320	3,31
	15	4,75	270	2,20	4,01	230	1,31	2,86	170	0,80	2,35	140	0,66	2,11	130	0,63
50	5	8,74	1520	45,67	8,15	1420	40,38	7,55	1310	35,40	6,96	1210	30,73	6,38	1110	26,37
	10	7,65	660	11,05	7,05	610	9,61	6,46	560	8,26	5,86	510	7,00	5,26	460	5,83
	15	6,43	370	4,18	5,81	340	3,52	5,17	300	2,85	4,52	260	2,08	3,81	220	1,23
55	5	10,20	1780	58,65	9,60	1670	52,74	9,00	1570	47,14	8,41	1470	41,84	7,82	1360	36,85
	10	9,14	790	14,64	8,54	740	13,03	7,94	690	11,50	7,34	640	10,06	6,75	590	8,71
	15	7,99	460	5,89	7,38	430	5,15	6,77	390	4,45	6,16	360	3,79	5,54	320	3,17
60	5	11,65	2030	72,82	11,05	1930	66,31	10,45	1820	60,11	9,85	1720	54,21	9,26	1620	48,61
	10	10,61	920	18,58	10,01	870	16,79	9,41	820	15,09	8,81	770	13,48	8,22	720	11,95
	15	9,51	550	7,74	8,91	520	6,92	8,30	480	6,14	7,70	450	5,40	7,09	410	4,70
65	5	13,10	2290	88,14	12,49	2190	81,06	11,89	2080	74,28	11,29	1980	67,80	10,69	1870	61,61
	10	12,07	1050	22,83	11,47	1000	20,88	10,87	950	19,01	10,27	900	17,23	9,67	840	15,54
	15	11,01	640	9,74	10,40	600	8,84	9,80	570	7,98	9,20	530	7,16	8,60	500	6,38
70	5	14,55	2550	104,50	13,94	2440	96,86	13,33	2340	89,53	12,73	2230	82,48	12,13	2130	75,74
	10	13,54	1180	27,39	12,93	1130	25,28	12,32	1080	23,25	11,72	1030	21,31	11,12	970	19,45
	15	12,49	730	11,88	11,89	690	10,90	11,28	660	9,96	10,68	620	9,07	10,08	590	8,21

EWT = Exchanger water inlet temperature (°C)
 ΔT = Temperature differential (°C)
 Ta = Ambient temperature (°C)
 D.B. = Dry bulb

TH = Total heating capacity (kW)
 WF = Water flow-rate (l/h)
 WDP = Exchanger pressure drops (kPa)

Heating performance

CC2 - 2-pipe system

031.0																
EWT	ΔT	Ta (D.B.)														
		16			18			20			22			24		
		TH	WF	WDP	TH	WF	WDP	TH	WF	WDP	TH	WF	WDP	TH	WF	WDP
[°C]	[°C]	[kW]	[l/h]	[kPa]	[kW]	[l/h]	[kPa]	[kW]	[l/h]	[kPa]	[kW]	[l/h]	[kPa]	[kW]	[l/h]	[kPa]
35	5	6,36	1100	17,78	5,50	950	13,88	4,64	800	10,40	3,78	650	7,33	2,89	500	4,52
	10	4,16	360	1,73	2,93	250	1,20	2,29	200	0,94	1,85	170	0,82	1,56	1730	0,81
	15	2,71	170	0,87	2,42	1730	0,85	-	-	-	-	-	-	-	-	-
40	5	8,49	1470	28,42	7,63	1320	23,65	6,78	1170	19,28	5,92	1030	15,32	5,07	880	11,76
	10	6,78	590	6,03	5,87	510	4,67	4,94	430	3,03	3,83	330	1,46	2,61	230	0,97
	15	3,93	230	1,03	3,28	190	0,86	2,84	170	0,79	2,57	1730	0,78	2,27	1730	0,76
45	5	10,61	1840	40,79	9,74	1690	35,20	9,16	1730	28,80	8,03	1390	25,20	7,18	1250	20,78
	10	9,01	780	9,48	8,14	700	7,97	7,26	630	6,57	6,37	550	5,28	5,47	470	4,05
	15	7,05	410	2,70	5,99	350	1,65	4,42	250	1,05	3,61	210	0,86	2,98	1730	0,71
50	5	12,71	2210	54,74	11,84	2060	48,39	10,98	1910	42,41	10,12	1760	36,82	9,27	1610	31,60
	10	11,18	970	13,36	10,31	890	11,63	9,44	820	10,01	8,57	740	8,49	7,70	670	7,08
	15	9,47	550	5,12	8,56	490	4,31	7,64	440	3,50	6,69	390	2,54	5,68	330	1,52
55	5	14,82	2580	70,19	13,94	2430	63,10	13,07	2280	56,38	12,21	2130	50,03	11,35	1980	44,05
	10	13,32	1160	17,66	12,45	1080	15,71	11,58	1010	13,87	10,71	930	12,14	9,85	860	10,51
	15	11,72	680	7,17	10,83	630	6,27	9,94	580	5,42	9,05	520	4,63	8,15	470	3,88
60	5	16,92	2950	87,05	16,04	2800	79,24	15,16	2650	71,80	14,29	2500	64,73	13,43	2340	58,02
	10	15,45	1350	22,35	14,58	1270	20,20	13,70	1190	18,15	12,83	1120	16,21	11,97	1040	14,38
	15	13,91	810	9,38	13,03	760	8,38	12,15	700	7,44	11,27	650	6,55	10,39	600	5,71
65	5	19,02	3330	105,28	18,13	3170	96,77	17,25	3020	88,63	16,38	2860	80,86	15,51	2710	73,45
	10	17,57	1530	27,42	16,69	1460	25,07	15,81	1380	22,82	14,94	1300	20,68	14,07	1230	18,65
	15	16,08	930	11,77	15,19	880	10,68	14,31	830	9,64	13,43	780	8,65	12,56	730	7,71
70	5	21,12	3700	124,73	20,22	3550	115,55	19,34	3390	106,73	18,46	3230	98,28	17,58	3080	90,20
	10	19,69	1720	32,85	18,80	1640	30,30	17,92	1570	27,87	17,04	1490	25,53	16,17	1410	23,30
	15	18,22	1060	14,32	17,33	1010	13,14	16,45	960	12,01	15,57	910	10,92	14,70	850	9,89

EWT = Exchanger water inlet temperature (°C)
 ΔT = Temperature differential (°C)
 Ta = Ambient temperature (°C)
 D.B. = Dry bulb

TH = Total heating capacity (kW)
 WF = Water flow-rate (l/h)
 WDP = Exchanger pressure drops (kPa)

041.0																
EWT	ΔT	Ta (D.B.)														
		16			18			20			22			24		
		TH	WF	WDP	TH	WF	WDP	TH	WF	WDP	TH	WF	WDP	TH	WF	WDP
[°C]	[°C]	[kW]	[l/h]	[kPa]	[kW]	[l/h]	[kPa]	[kW]	[l/h]	[kPa]	[kW]	[l/h]	[kPa]	[kW]	[l/h]	[kPa]
35	5	7,80	1350	26,40	6,73	1160	20,54	5,65	980	15,29	4,56	790	10,50	3,40	590	4,40
	10	4,39	380	2,51	3,59	310	2,06	2,80	240	1,61	2,40	240	1,55	2,02	2350	1,52
	15	3,52	240	1,64	3,14	2350	1,60	-	-	-	-	-	-	-	-	-
40	5	10,45	1810	42,35	9,38	1630	35,19	8,32	1440	28,64	7,25	1260	22,70	6,19	1070	17,36
	10	8,16	710	8,31	6,98	600	5,22	5,49	470	2,85	3,98	340	2,06	3,19	280	1,65
	15	4,82	280	1,76	4,05	2350	1,49	3,70	240	1,48	3,32	2350	1,45	2,95	2350	1,43
45	5	13,08	2270	60,83	12,00	2080	52,45	10,07	2350	49,20	9,87	1710	37,46	8,81	1530	30,85
	10	11,00	950	14,01	9,90	860	11,73	8,79	760	9,58	7,67	660	7,43	6,51	560	4,74
	15	7,74	450	2,58	6,09	350	2,01	5,21	300	1,72	4,41	250	1,46	3,87	2350	1,35
50	5	15,69	2730	81,63	14,61	2540	72,09	13,53	2350	63,13	12,46	2170	54,75	11,40	1980	46,95
	10	13,72	1190	19,86	12,63	1100	17,25	11,54	1000	14,80	10,46	910	12,52	9,37	810	10,41
	15	11,43	660	7,29	10,26	590	5,67	9,05	520	3,88	7,60	440	2,41	5,71	330	1,72
55	5	18,30	3190	104,62	17,21	3000	93,97	16,12	2810	83,89	15,05	2620	74,39	13,98	2440	65,45
	10	16,39	1430	26,29	15,30	1330	23,37	14,21	1240	20,60	13,13	1140	18,00	12,06	1050	15,56
	15	14,30	830	10,57	13,18	760	9,22	12,06	700	7,93	10,93	630	6,67	9,78	570	5,29
60	5	20,91	3650	129,67	19,80	3460	117,95	18,71	3270	106,79	17,63	3080	96,20	16,55	2890	86,17
	10	19,04	1660	33,30	17,94	1560	30,07	16,85	1470	26,99	15,77	1370	24,08	14,69	1280	21,33
	15	17,05	990	13,92	15,94	920	12,42	14,84	860	11,00	13,74	800	9,65	12,64	730	8,38
65	5	23,51	4110	156,74	22,40	3920	143,96	21,30	3730	131,75	20,20	3530	120,10	19,12	3340	109,02
	10	21,67	1890	40,87	20,57	1800	37,33	19,47	1700	33,96	18,38	1600	30,74	17,30	1510	27,69
	15	19,75	1150	17,50	18,65	1080	15,86	17,55	1020	14,29	16,45	960	12,81	15,36	890	11,39
70	5	26,11	4580	185,60	24,99	4380	171,80	23,88	4190	158,57	22,78	3990	145,91	21,68	3800	133,80
	10	24,30	2120	48,95	23,18	2030	45,12	22,08	1930	41,46	20,98	1830	37,95	19,89	1740	34,60
	15	22,43	1300	21,33	21,31	1240	19,54	20,21	1180	17,84	19,11	1110	16,21	18,02	1050	14,66

EWT = Exchanger water inlet temperature (°C)
 ΔT = Temperature differential (°C)
 Ta = Ambient temperature (°C)
 D.B. = Dry bulb

TH = Total heating capacity (kW)
 WF = Water flow-rate (l/h)
 WDP = Exchanger pressure drops (kPa)

Cooling performance

CC4 - 4-pipe system

007.0																											
EWT	ΔT	Ta (W.B.)	Ta (D.B.)																								
			21				23				25				27				29				30				
			TC	SC	WF	WDP	TC	SC	WF	WDP	TC	SC	WF	WDP	TC	SC	WF	WDP	TC	SC	WF	WDP	TC	SC	WF	WDP	
[°C]	[°C]	[°C]	[kW]	[kW]	[l/h]	[kPa]	[kW]	[kW]	[l/h]	[kPa]	[kW]	[kW]	[l/h]	[kPa]	[kW]	[kW]	[l/h]	[kPa]	[kW]	[kW]	[l/h]	[kPa]	[kW]	[kW]	[l/h]	[kPa]	
5	3	15	2,25	1,67	640	28,54	2,24	1,92	640	28,26	2,37	2,31	680	31,21	2,64	2,64	750	37,40	2,90	2,90	830	44,12	3,04	3,04	870	47,63	
		17	3,06	1,69	870	48,13	3,04	1,94	870	47,66	3,02	2,19	860	47,19	3,00	2,43	860	46,73	3,00	2,72	860	46,73	3,07	2,93	870	48,40	
		19	3,92	1,72	1120	73,80	3,89	1,97	1110	73,11	3,87	2,22	1100	72,44	3,85	2,46	1100	71,77	3,83	2,70	1090	71,11	3,82	2,82	1090	70,78	
		21	-	-	-	-	4,82	2,00	1370	105,69	4,79	2,25	1370	104,75	4,77	2,49	1360	103,82	4,75	2,74	1350	102,90	4,73	2,86	1350	102,45	
		23	-	-	-	-	-	-	-	-	5,79	2,28	1650	145,38	5,76	2,53	1640	144,12	5,73	2,78	1630	142,89	5,72	2,90	1630	142,28	
	5	15	1,58	1,46	420	5,52	1,77	1,75	300	7,58	2,06	2,06	350	10,25	2,34	2,34	400	12,76	2,62	2,62	450	15,40	2,75	2,75	470	16,78	
		17	2,32	1,38	400	12,54	2,45	1,75	420	13,79	2,42	2,00	420	13,48	2,47	2,31	420	13,98	2,62	2,59	450	15,42	2,76	2,76	470	16,81	
		19	3,22	1,42	550	21,92	3,20	1,67	550	21,70	3,19	1,92	550	21,47	3,17	2,16	540	21,26	3,15	2,40	540	21,04	3,14	2,52	540	20,93	
		21	-	-	-	-	4,15	1,71	710	33,69	4,13	1,96	710	33,38	4,10	2,21	700	33,06	4,08	2,45	700	32,75	4,07	2,57	700	32,60	
		23	-	-	-	-	-	-	-	-	5,13	2,00	880	48,50	5,10	2,25	880	48,07	5,08	2,49	870	47,64	5,06	2,61	870	47,43	
	7	15	0,97	0,97	120	1,45	1,16	1,16	140	1,74	1,45	1,45	180	2,18	1,97	1,97	240	3,85	2,28	2,28	280	6,20	2,43	2,43	300	7,28	
		17	1,67	1,54	420	2,55	1,16	1,15	140	1,74	1,45	1,45	180	2,19	1,97	1,97	240	3,87	2,28	2,28	280	6,23	2,43	2,43	300	7,30	
		19	2,40	1,13	420	7,02	2,59	1,55	420	8,32	2,55	1,79	420	8,11	2,44	1,98	420	7,40	2,51	2,29	420	7,76	2,55	2,39	310	8,12	
		21	-	-	-	-	3,36	1,40	410	13,18	3,34	1,64	410	13,04	3,32	1,89	410	12,90	3,30	2,13	400	12,76	3,29	2,25	400	12,69	
		23	-	-	-	-	-	-	-	-	4,39	1,70	540	20,73	4,37	1,95	540	20,53	4,34	2,20	530	20,33	4,33	2,32	530	20,24	
7	3	15	1,67	1,45	420	16,57	1,82	1,79	520	19,73	2,10	2,10	600	25,02	2,37	2,37	680	30,80	2,64	2,64	760	37,00	2,77	2,77	790	40,27	
		17	2,45	1,43	700	32,66	2,44	1,68	700	32,31	2,42	1,93	690	31,95	2,44	2,23	700	32,50	2,64	2,63	760	37,06	2,77	2,77	790	40,35	
		19	3,32	1,46	950	54,87	3,30	1,71	940	54,33	3,28	1,96	940	53,79	3,26	2,20	930	53,25	3,24	2,44	930	52,72	3,23	2,56	930	52,46	
		21	-	-	-	-	4,22	1,74	1210	83,31	4,20	1,99	1200	82,53	4,18	2,24	1200	81,76	4,15	2,48	1190	80,99	4,14	2,60	1190	80,61	
		23	-	-	-	-	-	-	-	-	5,19	2,03	1490	119,43	5,17	2,27	1480	118,36	5,14	2,52	1470	117,30	5,13	2,64	1470	116,78	
	5	15	1,02	1,02	180	2,09	1,48	1,48	250	4,86	1,79	1,79	310	7,84	2,07	2,07	360	10,22	2,35	2,35	400	12,65	2,49	2,49	430	13,92	
		17	1,86	1,34	320	8,42	1,82	1,60	420	8,13	1,81	1,72	420	8,06	2,07	2,07	360	10,23	2,35	2,35	400	12,67	2,49	2,49	430	13,95	
		19	2,57	1,16	440	14,66	2,55	1,41	440	14,49	2,53	1,66	430	14,32	2,40	2,08	420	17,40	2,61	2,26	420	15,17	2,66	2,44	420	15,56	
		21	-	-	-	-	3,51	1,45	600	24,94	3,49	1,70	600	24,68	3,47	1,95	600	24,43	3,45	2,19	590	24,18	3,44	2,31	590	24,06	
		23	-	-	-	-	-	-	-	-	4,50	1,74	770	38,16	4,47	1,99	770	37,80	4,45	2,24	760	37,44	4,44	2,36	760	37,27	
	7	15	0,78	0,78	100	1,10	0,97	0,97	120	1,37	1,17	1,17	140	1,65	1,66	1,66	200	2,49	2,01	2,01	250	4,50	2,16	2,16	270	5,61	
		17	0,79	0,76	100	1,11	0,97	0,97	120	1,38	1,17	1,17	140	1,65	1,66	1,66	200	2,50	2,01	2,01	250	4,52	2,16	2,16	270	5,63	
		19	1,82	1,16	420	3,26	1,67	1,30	420	2,56	1,76	1,63	420	2,88	1,71	1,64	210	2,68	2,01	1,98	250	4,54	2,16	2,15	270	5,63	
		21	-	-	-	-	2,63	1,12	320	8,52	2,61	1,37	320	8,40	2,77	1,76	340	9,35	2,71	1,98	420	8,99	2,73	2,13	340	9,12	
		23	-	-	-	-	-	-	-	-	3,70	1,44	450	15,29	3,68	1,69	450	15,13	3,66	1,93	450	14,96	3,65	2,05	450	14,88	
9	3	15	1,26	1,26	360	10,40	1,55	1,55	440	14,64	1,82	1,82	520	19,36	2,10	2,10	600	24,55	2,37	2,37	680	30,19	2,50	2,50	720	33,17	
		17	1,91	1,27	550	20,99	1,78	1,41	510	18,55	1,86	1,75	530	20,06	2,10	2,10	600	24,60	2,37	2,37	680	30,26	2,50	2,50	720	33,24	
		19	2,67	1,20	760	37,07	2,65	1,45	760	36,65	2,63	1,69	750	36,25	2,62	1,94	750	35,85	2,60	2,18	740	35,45	2,62	2,35	750	35,87	
		21	-	-	-	-	3,58	1,48	1020	61,51	3,56	1,73	1020	60,89	3,54	1,97	1010	60,27	2,61	1,87	420	13,25	3,51	2,34	1000	59,37	
		23	-	-	-	-	-	-	-	-	4,56	1,76	1300	93,43	4,53	2,01	1300	92,55	4,51	2,26	1290	91,68	4,49	2,38	1290	91,24	
	5	15	0,75	0,75	130	1,45	1,17	1,17	200	2,42	1,50	1,50	260	5,39	1,80	1,80	310	7,88	2,08	2,08	360	10,12	2,22	2,22	380	11,28	
		17	0,75	0,74	130	1,45	1,17	1,17	200	2,42	1,51	1,51	260	5,41	1,80	1,80	310	7,90	2,09	2,09	360	10,14	2,22	2,22	380	11,31	
		19	2,14	1,14	420	10,50	2,04	1,33	420	9,78	1,95	1,53	330	9,03	2,02	1,85	350	9,63	2,12	2,05	360	10,38	2,23	2,20	380	11,33	
		21	-	-	-	-	2,81	1,19	480	16,80	2,79	1,44	480	16,61	2,77	1,68	480	16,41	2,61	1,87	420	13,25	2,74	2,04	470	16,13	
		23	-	-	-	-	-	-	-	-	3,82	1,48	660	28,30	3,79	1,73	650	28,01	3,77	1,97	650	27,72	3,76	2,10	650	27,58	
	7	15	-	-	-	-	-	-	-	-	-	-	-	-	-	-	-	-	-	-	-	-	-	-	-	-	
		17	0,59	0,59	70	0,79	0,78	0,78	100	1,05	0,97	0,97	120	1,30	1,19	1,19	150	1,60	1,72	1,72	210	2,90	1,88	1,88	230	3,94	
		19	0,71	0,60	420	0,95	0,80	0,78	100	1,07	0,97	0,97	120	1,30	1,19	1,19	150	1,60	1,73	1,73	210	2,91	1,89	1,89	230	3,96	
		21	-	-	-	-	2,11	1,12	260	5,51	2,03	1,35	420	4,94	2,02	1,60	420	4,90	2,00	1,81	420	4,79	2,04	1,90	420	5,03	
		23	-	-	-	-	-	-	-	-	2,94	1,17	360	10,14	2,91	1,41	360	10,01	2,89	1,66	360	9,89	2,88	1,78	420	9,83	

EWT = Exchanger water inlet temperature (°C)
 ΔT = Temperature differential (°C)
 Ta = Ambient temperature (°C)
 D.B. = Dry bulb
 W.B. = Wet bulb

TC = Total cooling capacity (kW)
 SC = Sensible cooling capacity (kW)
 WF = Water flow-rate (l/h)
 WDP = Exchanger pressure drops (kPa)

Cooling performance

CC4 - 4-pipe system

007.0																											
EWT	ΔT	Ta (W.B.)	Ta (D.B.)																								
			21				23				25				27				29				30				
			TC	SC	WF	WDP	TC	SC	WF	WDP	TC	SC	WF	WDP	TC	SC	WF	WDP	TC	SC	WF	WDP	TC	SC	WF	WDP	
[°C]	[°C]	[°C]	[kW]	[kW]	[l/h]	[kPa]	[kW]	[kW]	[l/h]	[kPa]	[kW]	[kW]	[l/h]	[kPa]	[kW]	[kW]	[l/h]	[kPa]	[kW]	[kW]	[l/h]	[kPa]	[kW]	[kW]	[l/h]	[kPa]	
11	3	15	0,98	0,98	280	6,57	1,27	1,27	360	10,32	1,55	1,55	440	14,47	1,83	1,83	520	19,10	2,10	2,10	600	24,20	2,23	2,23	640	26,92	
		17	1,08	0,91	310	7,78	1,28	1,24	370	10,42	1,55	1,55	440	14,50	1,83	1,83	520	19,14	2,10	2,10	600	24,25	2,23	2,23	640	26,97	
		19	1,97	0,93	560	21,68	1,95	1,18	560	21,39	1,94	1,43	550	21,11	1,95	1,71	560	21,35	2,11	2,06	610	24,49	2,24	2,24	640	27,03	
		21	-	-	-	-	2,89	1,21	830	41,92	2,87	1,46	820	41,45	2,85	1,71	820	40,98	2,83	1,95	810	40,52	2,82	2,07	810	40,30	
		23	-	-	-	-	-	-	-	-	3,87	1,50	1110	69,50	3,85	1,75	1100	68,79	3,82	1,99	1100	68,10	3,81	2,12	1090	67,75	
	5	15	-	-	-	-	-	-	-	-	-	-	-	-	-	-	-	-	-	-	-	-	-	-	-	-	-
		17	0,56	0,56	100	1,02	0,75	0,75	130	1,37	1,21	1,21	210	2,82	1,52	1,52	260	5,71	1,81	1,81	310	7,88	1,95	1,95	340	8,95	
		19	0,67	0,59	420	1,22	1,03	0,94	420	1,98	1,24	1,20	420	3,09	1,52	1,52	260	5,72	1,82	1,82	310	7,90	1,96	1,96	340	8,97	
		21	-	-	-	-	2,13	0,97	420	10,36	2,21	1,32	420	11,06	2,07	1,48	420	9,81	2,11	1,78	360	10,16	2,13	1,89	370	10,34	
		23	-	-	-	-	-	-	-	-	3,07	1,21	530	19,27	3,05	1,46	530	19,05	3,03	1,71	520	18,83	3,02	1,83	520	18,72	
	7	15	-	-	-	-	-	-	-	-	-	-	-	-	-	-	-	-	-	-	-	-	-	-	-	-	-
		17	-	-	-	-	-	-	-	-	-	-	-	-	-	-	-	-	-	-	-	-	-	-	-	-	-
		19	-	-	-	-	0,59	0,59	70	0,75	0,78	0,78	100	0,99	0,97	0,97	120	1,23	1,34	1,34	160	1,71	1,60	1,60	200	2,42	
		21	-	-	-	-	0,73	0,59	420	0,91	0,80	0,76	100	1,02	0,97	0,97	120	1,23	1,34	1,34	170	1,72	1,60	1,60	200	2,43	
		23	-	-	-	-	-	-	-	-	2,39	1,13	420	7,03	2,35	1,39	420	6,84	2,17	1,53	420	5,92	2,20	1,68	420	6,07	
13	3	15	-	-	-	-	-	-	-	-	-	-	-	-	-	-	-	-	-	-	-	-	-	-	-	-	
		17	0,67	0,67	190	2,24	0,99	0,99	280	6,63	1,28	1,28	370	10,24	1,55	1,55	450	14,32	1,83	1,83	520	18,88	1,96	1,96	560	21,33	
		19	1,40	0,87	420	12,00	1,17	0,90	340	8,84	1,31	1,23	380	10,70	1,56	1,56	450	14,35	1,83	1,83	530	18,92	1,97	1,97	560	21,38	
		21	-	-	-	-	2,14	0,94	610	24,69	2,12	1,19	610	24,36	2,11	1,44	600	24,03	2,09	1,68	600	23,71	2,11	1,84	610	24,10	
		23	-	-	-	-	-	-	-	-	3,13	1,23	900	47,52	3,11	1,48	890	46,99	3,09	1,73	890	46,46	3,08	1,85	880	46,19	
	5	15	-	-	-	-	-	-	-	-	-	-	-	-	-	-	-	-	-	-	-	-	-	-	-	-	-
		17	-	-	-	-	-	-	-	-	-	-	-	-	-	-	-	-	-	-	-	-	-	-	-	-	-
		19	-	-	-	-	0,56	0,56	100	0,97	0,76	0,76	130	1,32	1,23	1,23	210	3,31	1,54	1,54	270	5,84	1,68	1,68	290	6,84	
		21	-	-	-	-	1,41	0,89	420	5,23	1,04	0,88	420	1,91	1,38	1,29	420	4,59	1,55	1,50	420	5,91	1,69	1,66	290	6,87	
		23	-	-	-	-	-	-	-	-	2,25	0,93	390	11,18	2,35	1,29	420	11,93	2,21	1,43	380	10,86	2,20	1,55	380	10,78	
	7	15	-	-	-	-	-	-	-	-	-	-	-	-	-	-	-	-	-	-	-	-	-	-	-	-	-
		17	-	-	-	-	-	-	-	-	-	-	-	-	-	-	-	-	-	-	-	-	-	-	-	-	-
		19	-	-	-	-	-	-	-	-	-	-	-	-	-	-	-	-	-	-	-	-	-	-	-	-	-
		21	-	-	-	-	-	-	-	-	0,60	0,59	70	0,71	0,78	0,78	100	0,94	0,97	0,97	120	1,17	1,12	1,12	140	1,35	
		23	-	-	-	-	-	-	-	-	0,75	0,60	420	0,89	1,35	1,08	420	1,94	1,43	1,35	420	2,10	1,37	1,36	420	1,77	
15	3	15	-	-	-	-	-	-	-	-	-	-	-	-	-	-	-	-	-	-	-	-	-	-	-	-	
		17	-	-	-	-	-	-	-	-	-	-	-	-	-	-	-	-	-	-	-	-	-	-	-	-	
		19	-	-	-	-	0,69	0,69	200	2,65	1,00	1,00	290	6,63	1,28	1,28	370	10,15	1,56	1,56	450	14,15	1,69	1,69	490	16,33	
		21	-	-	-	-	1,56	0,90	450	14,11	1,42	1,05	410	12,01	1,36	1,21	390	11,27	1,57	1,53	450	14,29	1,70	1,70	490	16,37	
		23	-	-	-	-	-	-	-	-	2,33	0,96	670	28,09	2,31	1,21	660	27,72	2,29	1,45	660	27,34	2,28	1,57	650	27,16	
	5	15	-	-	-	-	-	-	-	-	-	-	-	-	-	-	-	-	-	-	-	-	-	-	-	-	-
		17	-	-	-	-	-	-	-	-	-	-	-	-	-	-	-	-	-	-	-	-	-	-	-	-	-
		19	-	-	-	-	-	-	-	-	-	-	-	-	-	-	-	-	-	-	-	-	-	-	-	-	-
		21	-	-	-	-	-	-	-	-	0,56	0,56	100	0,92	0,80	0,80	140	1,32	1,25	1,25	220	3,69	1,40	1,40	240	4,87	
		23	-	-	-	-	-	-	-	-	1,51	0,89	420	5,59	1,42	1,02	420	5,14	1,38	1,18	420	4,67	1,49	1,34	420	5,40	
	7	15	-	-	-	-	-	-	-	-	-	-	-	-	-	-	-	-	-	-	-	-	-	-	-	-	-
		17	-	-	-	-	-	-	-	-	-	-	-	-	-	-	-	-	-	-	-	-	-	-	-	-	-
		19	-	-	-	-	-	-	-	-	-	-	-	-	-	-	-	-	-	-	-	-	-	-	-	-	-
		21	-	-	-	-	-	-	-	-	-	-	-	-	-	-	-	-	-	-	-	-	-	-	-	-	-
		23	-	-	-	-	-	-	-	-	-	-	-	-	-	-	-	-	-	-	-	-	-	-	-	-	-

EWT = Exchanger water inlet temperature (°C)
 ΔT = Temperature differential (°C)
 Ta = Ambient temperature (°C)
 D.B. = Dry bulb
 W.B. = Wet bulb

TC = Total cooling capacity (kW)
 SC = Sensible cooling capacity (kW)
 WF = Water flow-rate (l/h)
 WDP = Exchanger pressure drops (kPa)

Cooling performance

CC4 - 4-pipe system

011.0																											
EWT	ΔT	Ta (W.B.)	Ta (D.B.)																								
			21				23				25				27				29				30				
			TC	SC	WF	WDP	TC	SC	WF	WDP	TC	SC	WF	WDP	TC	SC	WF	WDP	TC	SC	WF	WDP	TC	SC	WF	WDP	
[°C]	[°C]	[°C]	[kW]	[kW]	[l/h]	[kPa]	[kW]	[kW]	[l/h]	[kPa]	[kW]	[kW]	[l/h]	[kPa]	[kW]	[kW]	[l/h]	[kPa]	[kW]	[kW]	[l/h]	[kPa]	[kW]	[kW]	[l/h]	[kPa]	
5	3	15	2,90	2,21	560	23,85	2,92	2,62	560	24,28	3,08	3,06	880	26,57	3,45	3,45	980	32,13	3,81	3,81	1090	38,04	3,98	3,98	1140	41,13	
		17	3,91	2,18	1110	39,77	3,88	2,52	1110	39,39	3,86	2,84	1100	39,02	3,10	2,95	560	12,25	3,90	3,61	560	41,10	4,00	3,89	1140	41,36	
		19	5,06	2,22	1440	61,96	5,03	2,56	1430	61,40	5,00	2,89	1430	60,86	4,98	3,21	1420	60,32	3,67	3,13	560	12,21	4,94	3,69	1410	59,51	
		21	-	-	-	-	6,26	2,59	1790	89,66	6,23	2,93	1780	88,89	6,20	3,26	1770	88,14	6,17	3,58	1760	87,39	6,16	3,74	1760	87,02	
		23	-	-	-	-	-	-	-	-	7,56	2,97	2160	124,23	7,53	3,31	2150	123,21	7,49	3,64	2140	122,21	7,47	3,80	2130	121,71	
	5	5	15	1,50	1,50	260	2,36	2,16	2,16	370	4,30	2,58	2,58	440	7,73	2,98	2,98	510	10,43	3,36	3,36	580	12,84	3,54	3,54	610	14,07
			17	3,27	2,19	560	12,14	3,08	2,38	530	11,07	2,88	2,61	560	9,56	2,99	2,89	510	10,51	3,36	3,36	580	12,87	3,55	3,55	610	14,10
			19	3,97	1,76	680	17,06	3,95	2,10	680	16,88	3,92	2,43	670	16,71	3,90	2,75	670	16,53	3,67	3,13	560	12,21	3,93	3,36	560	16,25
			21	-	-	-	-	5,23	2,16	900	27,22	5,20	2,49	890	26,97	5,17	2,82	890	26,72	5,14	3,15	880	26,47	5,13	3,31	880	26,35
			23	-	-	-	-	-	-	-	-	6,55	2,55	1120	40,00	6,52	2,88	1120	39,65	6,48	3,21	1110	39,31	6,47	3,37	1110	39,14
	7	7	15	1,26	1,26	150	1,37	1,51	1,51	190	1,64	1,76	1,76	220	1,91	2,05	2,05	250	2,24	2,74	2,74	340	3,32	2,97	2,97	360	4,30
			17	1,33	1,24	160	1,44	1,51	1,51	190	1,65	1,76	1,76	220	1,91	3,10	2,97	560	12,27	2,74	2,74	340	3,34	2,98	2,98	370	4,32
			19	2,65	1,61	560	3,09	2,67	1,92	560	3,13	2,62	2,29	320	3,02	2,06	2,06	250	2,24	2,75	2,74	560	3,36	2,98	2,96	370	4,32
			21	-	-	-	-	3,90	1,64	480	9,15	3,87	1,97	470	9,01	3,85	2,30	560	8,94	4,09	2,85	500	10,03	4,19	3,11	560	10,45
			23	-	-	-	-	-	-	-	-	5,37	2,08	660	15,96	5,34	2,42	650	15,80	5,31	2,74	650	15,64	5,29	2,91	650	15,57
7	3	15	2,05	1,86	590	13,10	2,36	2,36	670	16,64	2,73	2,73	780	21,31	3,09	3,09	890	26,39	3,45	3,45	990	31,86	3,63	3,63	1040	34,73	
		17	2,74	1,90	560	12,07	3,07	2,17	880	26,14	2,58	2,36	560	12,09	3,17	2,99	560	27,66	3,46	3,46	990	31,92	3,63	3,63	1040	34,80	
		19	4,25	1,88	1220	45,56	4,23	2,21	1210	45,11	4,20	2,54	1200	44,67	4,18	2,87	1200	44,24	4,16	3,19	1190	43,82	4,15	3,35	1190	43,60	
		21	-	-	-	-	5,47	2,25	1570	70,17	5,44	2,59	1560	69,54	5,41	2,92	1550	68,91	5,38	3,24	1540	68,29	5,37	3,40	1540	67,98	
		23	-	-	-	-	-	-	-	-	6,77	2,63	1940	101,55	6,73	2,97	1930	100,68	6,70	3,30	1920	99,82	6,68	3,46	1910	99,39	
	5	5	15	1,23	1,23	210	1,82	1,66	1,66	280	2,46	2,21	2,21	380	5,16	2,62	2,62	450	8,15	3,00	3,00	520	10,47	3,19	3,19	550	11,61
			17	1,74	1,57	300	2,60	1,98	1,90	560	3,76	2,58	2,36	560	12,09	2,62	2,62	450	8,17	3,01	3,01	520	10,49	3,20	3,20	550	11,64
			19	3,05	1,40	520	10,76	3,26	1,95	560	11,88	3,34	2,34	560	12,82	3,08	2,69	560	13,15	3,31	3,07	570	12,31	3,35	3,21	580	12,62
			21	-	-	-	-	4,36	1,81	750	19,68	4,33	2,15	740	19,48	4,31	2,48	740	19,28	4,28	2,80	740	19,08	4,27	2,96	730	18,99
			23	-	-	-	-	-	-	-	-	5,70	2,21	980	31,06	5,67	2,54	970	30,77	5,64	2,87	970	30,49	5,62	3,03	970	30,35
	7	7	15	1,01	1,01	120	1,04	1,26	1,26	150	1,29	1,51	1,51	190	1,55	1,76	1,76	220	1,81	2,24	2,24	270	2,32	2,60	2,60	320	3,01
			17	1,02	1,00	130	1,04	1,26	1,26	160	1,30	2,58	2,36	560	12,09	1,76	1,76	220	1,81	2,25	2,25	280	2,32	2,60	2,60	320	3,02
			19	1,39	1,00	560	1,43	1,35	1,22	170	1,38	1,52	1,49	190	1,56	1,76	1,76	220	1,81	2,25	2,25	280	2,33	2,60	2,60	320	3,03
			21	-	-	-	-	3,44	1,73	560	7,06	3,19	2,00	560	5,60	3,25	2,36	400	6,16	3,07	2,60	560	5,27	3,13	2,83	560	5,52
			23	-	-	-	-	-	-	-	-	4,41	1,73	540	11,25	4,38	2,06	540	11,12	4,35	2,39	530	10,99	4,34	2,55	530	10,93
9	3	15	1,60	1,60	460	8,43	1,99	1,99	570	12,25	2,36	2,36	680	16,40	2,73	2,73	780	20,97	3,09	3,09	890	25,93	3,27	3,27	940	28,56	
		17	2,57	1,85	560	18,69	2,31	1,96	560	15,71	2,38	2,30	680	16,61	2,73	2,73	780	21,01	3,10	3,10	890	25,98	3,28	3,28	940	28,61	
		19	3,38	1,53	970	30,18	3,36	1,86	960	29,84	3,34	2,19	950	29,52	2,79	2,50	560	11,85	3,31	2,87	950	29,02	3,37	3,12	960	29,95	
		21	-	-	-	-	4,60	1,91	1320	51,24	4,58	2,24	1310	50,74	4,55	2,57	1300	50,24	4,52	2,60	560	11,81	4,51	3,05	1290	49,51	
		23	-	-	-	-	-	-	-	-	5,91	2,29	1690	78,88	5,88	2,62	1680	78,16	5,85	2,95	1670	77,45	5,83	3,11	1670	77,10	
	5	5	15	0,98	0,98	170	1,37	1,22	1,22	210	1,71	1,81	1,81	310	2,82	2,25	2,25	390	5,80	2,65	2,65	450	8,26	2,84	2,84	490	9,34
			17	0,98	0,98	170	1,37	1,23	1,23	210	1,71	1,81	1,81	310	2,83	2,25	2,25	390	5,82	2,65	2,65	460	8,28	2,84	2,84	490	9,35
			19	2,55	1,55	440	7,71	2,45	1,87	420	7,13	2,19	1,94	560	5,40	2,28	2,18	390	6,04	2,65	2,65	460	8,30	2,84	2,84	490	9,37
			21	-	-	-	-	3,40	1,45	580	12,68	3,38	1,79	580	12,53	3,53	2,27	560	13,40	3,39	2,60	560	11,81	3,50	2,78	560	13,29
			23	-	-	-	-	-	-	-	-	4,77	1,86	820	22,56	4,75	2,19	820	22,33	4,72	2,52	810	22,11	4,70	2,68	810	21,99
	7	7	15	-	-	-	-	-	-	-	-	-	-	-	-	-	-	-	-	-	-	-	-	-	-	-	-
			17	0,77	0,77	90	0,74	1,02	1,02	120	0,98	1,26	1,26	160	1,23	1,51	1,51	190	1,47	1,78	1,78	220	1,73	2,06	2,06	250	2,01
			19	0,90	0,77	110	0,86	1,03	1,00	560	1,00	1,26	1,26	160	1,23	1,51	1,51	190	1,47	1,78	1,78	220	1,73	2,07	2,07	250	2,02
			21	-	-	-	-	2,17	1,55	560	2,24	2,28	1,94	560	2,41	1,52	1,48	560	1,48	3,39	2,60	560	11,81	2,07	2,07	250	2,03
			23	-	-	-	-	-	-	-	-	3,46	1,47	560	7,24	3,68	2,00	450	8,14	3,66	2,35	450	8,04	3,70	2,56	560	8,22

EWT = Exchanger water inlet temperature (°C)
 ΔT = Temperature differential (°C)
 Ta = Ambient temperature (°C)
 D.B. = Dry bulb
 W.B. = Wet bulb

TC = Total cooling capacity (kW)
 SC = Sensible cooling capacity (kW)
 WF = Water flow-rate (l/h)
 WDP = Exchanger pressure drops (kPa)

Cooling performance

CC4 - 4-pipe system

011.0																											
EWT	ΔT	Ta (W.B.)	Ta (D.B.)																								
			21				23				25				27				29				30				
			TC	SC	WF	WDP	TC	SC	WF	WDP	TC	SC	WF	WDP	TC	SC	WF	WDP	TC	SC	WF	WDP	TC	SC	WF	WDP	
[°C]	[°C]	[°C]	[kW]	[kW]	[l/h]	[kPa]	[kW]	[kW]	[l/h]	[kPa]	[kW]	[kW]	[l/h]	[kPa]	[kW]	[kW]	[l/h]	[kPa]	[kW]	[kW]	[l/h]	[kPa]	[kW]	[kW]	[l/h]	[kPa]	
11	3	15	1,21	1,21	350	4,23	1,62	1,62	460	8,48	2,00	2,00	570	12,17	2,37	2,37	680	16,24	2,74	2,74	780	20,72	2,92	2,92	840	23,11	
		17	1,25	1,15	360	4,78	1,62	1,61	460	8,50	2,00	2,00	570	12,19	2,37	2,37	680	16,27	2,74	2,74	780	20,76	2,92	2,92	840	23,16	
		19	2,43	1,17	700	16,95	2,73	1,77	780	20,69	2,49	1,92	560	18,16	2,46	2,25	560	17,19	2,74	2,72	790	20,80	2,92	2,92	840	23,21	
		21	-	-	-	-	3,67	1,55	1050	34,31	3,65	1,89	1050	33,93	3,63	2,22	1040	33,55	2,88	2,43	560	11,64	3,59	2,70	1030	33,00	
		23	-	-	-	-	-	-	-	-	4,99	1,94	1430	58,07	4,96	2,27	1420	57,50	4,93	2,60	1410	56,94	4,92	2,76	1410	56,66	
	5	15	-	-	-	-	-	-	-	-	-	-	-	-	-	-	-	-	-	-	-	-	-	-	-	-	-
		17	0,73	0,73	130	0,96	0,98	0,98	170	1,29	1,24	1,24	210	1,64	1,86	1,86	320	3,38	2,28	2,28	390	6,19	2,48	2,48	430	7,28	
		19	0,88	0,82	150	1,15	0,98	0,97	170	1,30	1,24	1,24	210	1,64	1,87	1,87	320	3,39	2,29	2,29	390	6,21	2,48	2,48	430	7,30	
		21	-	-	-	-	2,82	1,53	490	9,12	2,67	1,78	560	8,38	2,63	2,12	450	8,06	2,40	2,16	560	6,88	2,55	2,38	440	7,63	
		23	-	-	-	-	-	-	-	-	3,76	1,50	650	14,81	3,73	1,83	640	14,63	3,71	2,16	640	14,46	3,69	2,32	640	14,37	
	7	15	-	-	-	-	-	-	-	-	-	-	-	-	-	-	-	-	-	-	-	-	-	-	-	-	-
		17	-	-	-	-	-	-	-	-	-	-	-	-	-	-	-	-	-	-	-	-	-	-	-	-	-
		19	-	-	-	-	0,77	0,77	90	0,71	1,02	1,02	120	0,93	1,26	1,26	160	1,16	1,51	1,51	190	1,39	1,64	1,64	200	1,52	
		21	-	-	-	-	0,92	0,75	560	0,84	1,04	1,01	560	0,96	1,27	1,27	160	1,16	2,88	2,43	560	11,64	1,65	1,65	200	1,52	
		23	-	-	-	-	-	-	-	-	2,53	1,59	560	3,33	1,39	1,16	560	1,27	2,20	2,01	560	2,20	1,65	1,62	200	1,52	
13	3	15	-	-	-	-	-	-	-	-	-	-	-	-	-	-	-	-	-	-	-	-	-	-	-	-	
		17	0,69	0,69	200	1,48	1,23	1,23	350	4,83	1,63	1,63	470	8,49	2,01	2,01	580	12,09	2,38	2,38	680	16,09	2,56	2,56	730	18,24	
		19	1,31	0,77	380	5,66	1,35	1,15	390	6,06	1,64	1,59	470	8,59	2,01	2,01	580	12,11	2,38	2,38	680	16,13	2,56	2,56	740	18,28	
		21	-	-	-	-	2,66	1,19	760	19,49	2,76	1,63	790	20,69	2,79	1,91	560	24,71	2,61	2,21	750	18,88	2,67	2,43	560	19,42	
		23	-	-	-	-	-	-	-	-	3,99	1,58	1150	39,07	3,97	1,91	1140	38,63	3,94	2,24	1130	38,20	3,01	2,19	560	11,44	
	5	15	-	-	-	-	-	-	-	-	-	-	-	-	-	-	-	-	-	-	-	-	-	-	-	-	-
		17	-	-	-	-	-	-	-	-	-	-	-	-	-	-	-	-	-	-	-	-	-	-	-	-	-
		19	-	-	-	-	0,73	0,73	130	0,91	0,98	0,98	170	1,23	1,31	1,31	220	1,64	1,91	1,91	330	3,96	2,11	2,11	360	5,28	
		21	-	-	-	-	0,89	0,79	560	1,11	0,99	0,98	170	1,24	1,31	1,31	230	1,65	1,91	1,91	330	3,98	2,12	2,12	360	5,30	
		23	-	-	-	-	-	-	-	-	3,06	1,48	560	10,36	2,90	1,74	500	9,43	2,79	2,01	480	8,82	3,01	2,19	560	11,44	
	7	15	-	-	-	-	-	-	-	-	-	-	-	-	-	-	-	-	-	-	-	-	-	-	-	-	-
		17	-	-	-	-	-	-	-	-	-	-	-	-	-	-	-	-	-	-	-	-	-	-	-	-	-
		19	-	-	-	-	-	-	-	-	-	-	-	-	-	-	-	-	-	-	-	-	-	-	-	-	-
		21	-	-	-	-	-	-	-	-	0,77	0,77	90	0,67	1,02	1,02	130	0,89	1,27	1,27	160	1,10	1,39	1,39	170	1,21	
		23	-	-	-	-	-	-	-	-	0,93	0,73	560	0,81	1,06	1,03	130	0,92	1,27	1,27	160	1,11	3,01	2,19	560	11,44	
15	3	15	-	-	-	-	-	-	-	-	-	-	-	-	-	-	-	-	-	-	-	-	-	-	-	-	
		17	-	-	-	-	-	-	-	-	-	-	-	-	-	-	-	-	-	-	-	-	-	-	-	-	
		19	-	-	-	-	0,70	0,70	200	1,42	1,25	1,25	360	5,16	1,64	1,64	470	8,46	2,02	2,02	580	11,98	2,20	2,20	630	13,90	
		21	-	-	-	-	1,86	1,20	530	10,44	1,49	1,15	430	7,17	1,69	1,57	490	8,90	2,02	2,01	580	12,01	2,20	2,20	630	13,93	
		23	-	-	-	-	-	-	-	-	2,91	1,22	840	22,36	2,89	1,55	830	22,06	2,46	1,86	560	11,29	2,85	2,04	820	21,62	
	5	15	-	-	-	-	-	-	-	-	-	-	-	-	-	-	-	-	-	-	-	-	-	-	-	-	-
		17	-	-	-	-	-	-	-	-	-	-	-	-	-	-	-	-	-	-	-	-	-	-	-	-	-
		19	-	-	-	-	-	-	-	-	-	-	-	-	-	-	-	-	-	-	-	-	-	-	-	-	-
		21	-	-	-	-	-	-	-	-	0,73	0,73	130	0,87	0,98	0,98	170	1,16	1,48	1,48	260	1,87	1,73	1,73	300	3,02	
		23	-	-	-	-	-	-	-	-	0,91	0,77	560	1,07	0,99	0,98	170	1,18	2,46	1,86	560	11,29	1,74	1,69	300	3,12	
	7	15	-	-	-	-	-	-	-	-	-	-	-	-	-	-	-	-	-	-	-	-	-	-	-	-	-
		17	-	-	-	-	-	-	-	-	-	-	-	-	-	-	-	-	-	-	-	-	-	-	-	-	-
		19	-	-	-	-	-	-	-	-	-	-	-	-	-	-	-	-	-	-	-	-	-	-	-	-	-
		21	-	-	-	-	-	-	-	-	-	-	-	-	-	-	-	-	-	-	-	-	-	-	-	-	-
		23	-	-	-	-	-	-	-	-	-	-	-	-	-	-	-	-	-	-	-	-	-	-	-	-	-

EWT = Exchanger water inlet temperature (°C)
 ΔT = Temperature differential (°C)
 Ta = Ambient temperature (°C)
 D.B. = Dry bulb
 W.B. = Wet bulb

TC = Total cooling capacity (kW)
 SC = Sensible cooling capacity (kW)
 WF = Water flow-rate (l/h)
 WDP = Exchanger pressure drops (kPa)

Cooling performance

CC4 - 4-pipe system

015.0																											
EWT	ΔT	Ta (W.B.)	Ta (D.B.)																								
			21				23				25				27				29				30				
			TC	SC	WF	WDP	TC	SC	WF	WDP	TC	SC	WF	WDP	TC	SC	WF	WDP	TC	SC	WF	WDP	TC	SC	WF	WDP	
[°C]	[°C]	[°C]	[kW]	[kW]	[l/h]	[kPa]	[kW]	[kW]	[l/h]	[kPa]	[kW]	[kW]	[l/h]	[kPa]	[kW]	[kW]	[l/h]	[kPa]	[kW]	[kW]	[l/h]	[kPa]	[kW]	[kW]	[l/h]	[kPa]	
5	3	15	2,95	2,25	840	30,26	2,97	2,65	540	30,50	3,24	3,23	920	35,45	3,62	3,62	1030	42,84	4,00	4,00	1140	50,67	4,19	4,19	1190	54,76	
		17	4,10	2,29	1170	52,79	4,07	2,64	1160	52,25	4,05	2,98	1150	51,71	4,02	3,32	1150	51,19	4,07	3,79	1160	52,19	4,20	4,09	1200	54,99	
		19	5,31	2,33	1510	82,23	5,28	2,68	1510	81,45	5,25	3,03	1500	80,67	5,22	3,37	1490	79,89	5,19	3,70	1480	79,13	5,18	3,87	1480	78,76	
		21	-	-	-	-	6,57	2,72	1870	118,87	6,54	3,07	1860	117,78	6,51	3,42	1850	116,71	6,47	3,75	1850	115,64	6,45	3,92	1840	115,11	
		23	-	-	-	-	-	-	-	-	7,93	3,12	2260	164,52	7,89	3,47	2250	163,07	7,85	3,81	2240	161,63	7,83	3,98	2230	160,91	
	5	5	15	1,61	1,61	280	3,45	2,18	2,18	370	4,76	2,69	2,69	460	8,71	3,12	3,12	530	13,36	3,52	3,52	600	17,01	3,72	3,72	640	18,69
			17	3,36	2,22	580	15,61	3,17	2,52	540	13,58	3,09	2,84	530	13,16	3,12	3,05	540	13,44	3,52	3,52	600	17,04	3,72	3,72	640	18,73
			19	4,14	1,84	710	22,46	4,11	2,19	710	22,20	4,08	2,53	700	21,95	4,06	2,87	700	21,70	4,14	3,36	540	21,53	4,17	3,55	540	22,68
			21	-	-	-	-	5,48	2,26	940	36,05	5,44	2,61	930	35,69	5,41	2,95	930	35,33	5,38	3,29	920	34,98	5,36	3,46	920	34,80
			23	-	-	-	-	-	-	-	-	6,87	2,67	1180	53,02	6,83	3,02	1170	52,53	6,79	3,36	1160	52,04	6,77	3,53	1160	51,79
	7	7	15	1,38	1,38	170	2,04	1,65	1,65	200	2,44	1,92	1,92	240	2,85	2,19	2,19	270	3,26	2,63	2,63	320	3,92	3,02	3,02	370	4,67
			17	1,44	1,28	540	2,14	1,65	1,63	200	2,44	1,92	1,92	240	2,85	2,19	2,19	270	3,26	2,63	2,63	320	3,92	3,02	3,02	370	4,69
			19	2,58	1,92	540	3,84	2,78	2,30	540	4,15	3,26	2,86	540	5,65	2,19	2,16	270	3,25	2,64	2,64	320	3,93	3,03	3,03	370	4,71
			21	-	-	-	-	3,97	1,67	490	10,64	3,94	2,02	480	10,37	3,93	2,37	540	10,48	4,19	2,94	540	12,37	4,24	3,17	520	12,53
			23	-	-	-	-	-	-	-	-	5,59	2,17	690	20,96	5,56	2,51	680	20,73	5,52	2,86	680	20,50	5,50	3,03	670	20,39
7	3	15	2,14	1,95	610	17,28	2,48	2,48	710	22,22	2,87	2,87	820	28,45	3,25	3,25	930	35,19	3,63	3,63	1040	42,43	3,81	3,81	1090	46,24	
		17	3,24	1,93	930	35,02	3,22	2,27	920	34,61	3,20	2,62	920	34,21	3,30	3,11	540	36,13	3,63	3,63	1040	42,53	3,82	3,82	1090	46,34	
		19	4,46	1,97	1280	60,47	4,44	2,32	1270	59,84	4,41	2,67	1260	59,22	4,38	3,01	1260	58,61	4,36	3,34	1250	58,01	4,34	3,51	1240	57,71	
		21	-	-	-	-	5,74	2,36	1640	93,07	5,70	2,71	1630	92,17	5,67	3,06	1620	91,28	5,64	3,40	1620	90,40	5,62	3,56	1610	89,96	
		23	-	-	-	-	-	-	-	-	7,10	2,76	2030	134,53	7,06	3,11	2020	133,29	7,02	3,45	2010	132,06	7,01	3,62	2010	131,45	
	5	5	15	1,34	1,34	230	2,71	1,63	1,63	280	3,29	2,29	2,29	390	5,43	2,74	2,74	470	9,91	3,15	3,15	540	13,76	3,35	3,35	580	15,39
			17	2,04	1,80	540	4,27	1,63	1,63	280	3,30	2,29	2,29	390	5,46	2,74	2,74	470	9,95	3,15	3,15	540	13,79	3,35	3,35	580	15,42
			19	3,15	1,45	540	13,80	3,36	2,01	540	15,24	3,39	2,41	580	15,75	3,05	2,61	540	16,80	3,41	3,16	590	15,90	3,49	3,36	540	16,55
			21	-	-	-	-	4,56	1,89	780	26,01	4,53	2,24	780	25,72	4,50	2,59	770	25,44	4,47	2,93	770	25,15	4,45	3,09	770	25,01
			23	-	-	-	-	-	-	-	-	5,97	2,31	1030	41,16	5,94	2,66	1020	40,75	5,90	3,00	1010	40,34	5,88	3,17	1010	40,14
	7	7	15	1,11	1,11	140	1,55	1,38	1,38	170	1,93	1,65	1,65	200	2,31	1,91	1,91	230	2,69	2,22	2,22	270	3,12	2,49	2,49	310	3,51
			17	1,12	1,08	140	1,56	1,38	1,38	170	1,93	1,65	1,65	200	2,31	1,92	1,92	240	2,69	2,22	2,22	270	3,12	2,50	2,50	310	3,52
			19	1,46	0,94	540	2,03	1,48	1,28	180	2,06	1,65	1,61	200	2,31	1,92	1,92	240	2,69	2,22	2,22	270	3,12	2,50	2,50	310	3,52
			21	-	-	-	-	2,37	1,56	540	3,29	2,12	1,70	540	2,95	3,29	2,48	540	6,30	3,06	2,72	540	5,03	2,50	2,47	540	3,52
			23	-	-	-	-	-	-	-	-	4,56	1,79	560	14,56	4,53	2,14	560	14,36	4,49	2,48	550	14,17	4,48	2,65	550	14,07
9	3	15	1,68	1,68	480	10,73	2,09	2,09	600	16,33	2,48	2,48	710	21,89	2,87	2,87	820	27,97	3,25	3,25	930	34,55	3,44	3,44	980	38,03	
		17	2,58	1,83	740	23,40	2,46	2,09	540	21,37	2,50	2,41	720	22,11	2,88	2,88	820	28,03	3,26	3,26	930	34,63	3,44	3,44	990	38,11	
		19	3,55	1,60	1010	40,04	3,52	1,95	1010	39,57	3,50	2,30	1000	39,11	2,76	2,53	540	13,58	3,46	3,01	990	38,43	3,53	3,27	1010	39,73	
		21	-	-	-	-	4,83	2,00	1380	67,99	4,80	2,35	1370	67,27	4,77	2,69	1370	66,57	4,74	3,03	1360	65,88	4,73	3,20	1350	65,53	
		23	-	-	-	-	-	-	-	-	6,20	2,40	1770	104,54	6,16	2,75	1760	103,52	6,13	3,09	1750	102,52	6,11	3,26	1750	102,02	
	5	5	15	1,07	1,07	180	2,03	1,34	1,34	230	2,55	1,72	1,72	300	3,28	2,34	2,34	400	6,38	2,77	2,77	480	10,58	2,97	2,97	510	12,26
			17	1,06	1,05	180	2,03	1,34	1,34	230	2,55	1,72	1,72	300	3,29	2,34	2,34	400	6,41	2,77	2,77	480	10,61	2,98	2,98	510	12,29
			19	2,54	1,53	540	8,62	2,07	1,60	540	4,24	2,30	2,10	540	6,05	2,36	2,28	410	6,57	2,77	2,77	480	10,62	2,98	2,98	510	12,32
			21	-	-	-	-	3,54	1,51	610	16,62	3,51	1,86	600	16,40	3,58	2,30	620	17,01	3,70	2,63	540	20,09	3,62	2,87	620	17,26
			23	-	-	-	-	-	-	-	-	5,00	1,95	860	29,86	4,97	2,29	850	29,54	4,93	2,64	850	29,22	4,92	2,81	840	29,06
	7	7	15	-	-	-	-	-	-	-	-	-	-	-	-	-	-	-	-	-	-	-	-	-	-	-	-
			17	0,84	0,84	100	1,11	1,11	1,11	140	1,47	1,38	1,38	170	1,82	1,65	1,65	200	2,18	1,91	1,91	240	2,54	2,07	2,07	250	2,75
			19	1,02	0,86	540	1,33	1,13	1,08	140	1,49	1,38	1,38	170	1,82	1,65	1,65	200	2,19	1,92	1,92	240	2,54	2,07	2,07	250	2,75
			21	-	-	-	-	1,51	0,92	190	1,99	1,51	1,26	190	1,99	1,66	1,58	200	2,20	1,92	1,92	240	2,54	2,08	2,08	260	2,76
			23	-	-	-	-	-	-	-	-	3,54	1,50	540	8,67	3,80	2,11	540	9,99	3,68	2,39	450	9,40	3,69	2,60	540	9,46

EWT = Exchanger water inlet temperature (°C)
 ΔT = Temperature differential (°C)
 Ta = Ambient temperature (°C)
 D.B. = Dry bulb
 W.B. = Wet bulb

TC = Total cooling capacity (kW)
 SC = Sensible cooling capacity (kW)
 WF = Water flow-rate (l/h)
 WDP = Exchanger pressure drops (kPa)

Cooling performance

CC4 - 4-pipe system

015.0																											
EWT	ΔT	Ta (W.B.)	Ta (D.B.)																								
			21				23				25				27				29				30				
			TC	SC	WF	WDP	TC	SC	WF	WDP	TC	SC	WF	WDP	TC	SC	WF	WDP	TC	SC	WF	WDP	TC	SC	WF	WDP	
[°C]	[°C]	[°C]	[kW]	[kW]	[l/h]	[kPa]	[kW]	[kW]	[l/h]	[kPa]	[kW]	[kW]	[l/h]	[kPa]	[kW]	[kW]	[l/h]	[kPa]	[kW]	[kW]	[l/h]	[kPa]	[kW]	[kW]	[l/h]	[kPa]	
11	3	15	1,25	1,25	360	4,40	1,69	1,69	490	11,13	2,10	2,10	600	16,23	2,49	2,49	710	21,66	2,87	2,87	820	27,62	3,06	3,06	880	30,79	
		17	1,28	1,19	370	4,74	1,70	1,70	490	11,15	2,10	2,10	600	16,26	2,49	2,49	710	21,71	2,88	2,88	820	27,68	3,07	3,07	880	30,85	
		19	2,54	1,22	730	22,42	2,73	1,76	780	25,32	2,51	1,92	540	22,19	2,58	2,36	740	23,01	2,88	2,86	830	27,72	3,07	3,07	880	30,93	
		21	-	-	-	-	3,85	1,63	1100	45,53	3,83	1,98	1100	44,99	3,80	2,32	1090	44,47	3,78	2,66	1080	43,95	2,94	2,74	540	13,41	
		23	-	-	-	-	-	-	-	-	5,23	2,03	1500	77,01	5,20	2,38	1490	76,20	5,17	2,72	1480	75,40	5,15	2,89	1480	75,00	
	5	15	-	-	-	-	-	-	-	-	-	-	-	-	-	-	-	-	-	-	-	-	-	-	-	-	-
		17	0,79	0,79	140	1,43	1,07	1,07	180	1,93	1,33	1,33	230	2,41	1,91	1,91	330	3,62	2,38	2,38	410	7,35	2,59	2,59	450	9,28	
		19	0,95	0,82	540	1,71	1,07	1,06	180	1,94	1,33	1,33	230	2,41	1,91	1,91	330	3,63	2,39	2,39	410	7,38	2,60	2,60	450	9,31	
		21	-	-	-	-	2,86	1,54	490	11,35	2,79	1,89	480	10,80	2,67	2,18	540	9,98	2,64	2,39	540	10,27	2,65	2,50	460	9,73	
		23	-	-	-	-	-	-	-	-	3,92	1,57	680	19,52	3,89	1,91	670	19,27	3,65	2,18	540	15,71	3,65	2,36	540	15,79	
	7	15	-	-	-	-	-	-	-	-	-	-	-	-	-	-	-	-	-	-	-	-	-	-	-	-	-
		17	-	-	-	-	-	-	-	-	-	-	-	-	-	-	-	-	-	-	-	-	-	-	-	-	-
		19	-	-	-	-	0,84	0,84	100	1,05	1,11	1,11	140	1,39	1,38	1,38	170	1,73	1,65	1,65	200	2,07	1,78	1,78	220	2,24	
		21	-	-	-	-	1,04	0,83	540	1,29	1,14	1,08	140	1,43	1,38	1,38	170	1,73	1,65	1,65	200	2,07	1,78	1,78	220	2,24	
		23	-	-	-	-	-	-	-	-	2,72	1,78	540	4,09	2,30	1,88	540	3,03	1,68	1,58	210	2,11	1,80	1,78	220	2,26	
13	3	15	-	-	-	-	-	-	-	-	-	-	-	-	-	-	-	-	-	-	-	-	-	-	-	-	
		17	0,75	0,75	220	2,20	1,28	1,28	370	5,24	1,71	1,71	490	11,26	2,11	2,11	610	16,12	2,50	2,50	720	21,46	2,69	2,69	770	24,32	
		19	1,30	0,79	370	5,62	1,38	1,19	400	6,89	1,72	1,68	490	11,36	2,11	2,11	610	16,16	2,50	2,50	720	21,51	2,69	2,69	770	24,38	
		21	-	-	-	-	2,79	1,25	800	25,82	2,78	1,60	540	26,09	2,33	1,90	540	13,24	2,74	2,31	790	25,02	2,81	2,54	810	26,13	
		23	-	-	-	-	-	-	-	-	4,19	1,66	1200	51,82	4,16	2,00	1190	51,21	3,00	2,06	540	13,19	2,98	2,22	540	13,19	
	5	15	-	-	-	-	-	-	-	-	-	-	-	-	-	-	-	-	-	-	-	-	-	-	-	-	-
		17	-	-	-	-	-	-	-	-	-	-	-	-	-	-	-	-	-	-	-	-	-	-	-	-	-
		19	-	-	-	-	0,80	0,80	140	1,36	1,07	1,07	180	1,83	1,34	1,34	230	2,30	1,98	1,98	340	4,16	2,20	2,20	380	6,11	
		21	-	-	-	-	0,97	0,79	540	1,65	1,08	1,05	190	1,85	1,34	1,34	230	2,30	1,98	1,98	340	4,18	2,21	2,21	380	6,14	
		23	-	-	-	-	-	-	-	-	3,22	1,62	540	13,51	2,98	1,79	510	12,09	3,00	2,06	540	13,19	2,98	2,22	540	13,19	
	7	15	-	-	-	-	-	-	-	-	-	-	-	-	-	-	-	-	-	-	-	-	-	-	-	-	-
		17	-	-	-	-	-	-	-	-	-	-	-	-	-	-	-	-	-	-	-	-	-	-	-	-	-
		19	-	-	-	-	-	-	-	-	-	-	-	-	-	-	-	-	-	-	-	-	-	-	-	-	-
		21	-	-	-	-	-	-	-	-	0,84	0,84	100	1,00	1,11	1,11	140	1,32	1,38	1,38	170	1,64	1,51	1,51	190	1,80	
		23	-	-	-	-	-	-	-	-	1,06	0,85	540	1,25	1,16	1,08	140	1,38	3,00	2,06	540	13,19	2,98	2,22	540	13,19	
15	3	15	-	-	-	-	-	-	-	-	-	-	-	-	-	-	-	-	-	-	-	-	-	-	-	-	
		17	-	-	-	-	-	-	-	-	-	-	-	-	-	-	-	-	-	-	-	-	-	-	-	-	
		19	-	-	-	-	0,75	0,75	210	2,09	1,30	1,30	370	6,05	1,72	1,72	490	11,26	2,12	2,12	610	15,98	2,31	2,31	660	18,54	
		21	-	-	-	-	1,91	1,22	550	13,36	1,53	1,20	440	9,14	1,77	1,65	510	11,77	2,12	2,11	610	16,00	2,32	2,32	660	18,58	
		23	-	-	-	-	-	-	-	-	3,05	1,27	880	29,65	3,02	1,62	870	29,23	2,44	1,88	540	13,02	2,99	2,13	860	28,61	
	5	15	-	-	-	-	-	-	-	-	-	-	-	-	-	-	-	-	-	-	-	-	-	-	-	-	-
		17	-	-	-	-	-	-	-	-	-	-	-	-	-	-	-	-	-	-	-	-	-	-	-	-	-
		19	-	-	-	-	-	-	-	-	-	-	-	-	-	-	-	-	-	-	-	-	-	-	-	-	-
		21	-	-	-	-	-	-	-	-	0,80	0,80	140	1,29	1,07	1,07	180	1,73	1,38	1,38	240	2,24	1,78	1,78	310	3,17	
		23	-	-	-	-	-	-	-	-	0,98	0,74	540	1,58	1,09	1,04	190	1,77	2,44	1,88	540	13,02	1,79	1,77	310	3,21	
	7	15	-	-	-	-	-	-	-	-	-	-	-	-	-	-	-	-	-	-	-	-	-	-	-	-	-
		17	-	-	-	-	-	-	-	-	-	-	-	-	-	-	-	-	-	-	-	-	-	-	-	-	-
		19	-	-	-	-	-	-	-	-	-	-	-	-	-	-	-	-	-	-	-	-	-	-	-	-	-
		21	-	-	-	-	-	-	-	-	-	-	-	-	-	-	-	-	-	-	-	-	-	-	-	-	-
		23	-	-	-	-	-	-	-	-	-	-	-	-	-	-	-	-	-	-	-	-	-	-	-	-	-

EWT = Exchanger water inlet temperature (°C)
 ΔT = Temperature differential (°C)
 Ta = Ambient temperature (°C)
 D.B. = Dry bulb
 W.B. = Wet bulb

TC = Total cooling capacity (kW)
 SC = Sensible cooling capacity (kW)
 WF = Water flow-rate (l/h)
 WDP = Exchanger pressure drops (kPa)

Cooling performance

CC4 - 4-pipe system

021.0																											
EWT	ΔT	Ta (W.B.)	Ta (D.B.)																								
			21				23				25				27				29				30				
			TC	SC	WF	WDP	TC	SC	WF	WDP	TC	SC	WF	WDP	TC	SC	WF	WDP	TC	SC	WF	WDP	TC	SC	WF	WDP	
[°C]	[°C]	[°C]	[kW]	[kW]	[l/h]	[kPa]	[kW]	[kW]	[l/h]	[kPa]	[kW]	[kW]	[l/h]	[kPa]	[kW]	[kW]	[l/h]	[kPa]	[kW]	[kW]	[l/h]	[kPa]	[kW]	[kW]	[l/h]	[kPa]	
5	3	15	5,04	3,86	1440	28,17	5,24	4,76	990	29,98	5,27	5,24	1500	30,44	5,90	5,90	1680	36,85	6,52	6,52	1860	43,65	6,83	6,83	1950	47,20	
		17	6,70	3,75	1910	45,72	5,48	4,11	990	14,72	5,36	4,62	990	14,69	6,59	5,43	1880	44,46	6,66	6,20	990	45,18	6,85	6,68	1950	47,50	
		19	8,68	3,81	2480	71,22	8,64	4,39	2460	70,60	8,60	4,96	2450	69,98	8,55	5,52	2440	69,38	6,36	5,36	990	14,65	8,49	6,34	2420	68,48	
		21	-	-	-	-	10,76	4,46	3070	102,99	10,71	5,03	3050	102,13	10,66	5,60	3040	101,29	10,61	6,16	3020	100,46	10,58	6,43	3020	100,05	
		23	-	-	-	-	-	-	-	-	12,99	5,11	3700	142,58	12,93	5,69	3690	141,45	12,87	6,25	3670	140,33	12,84	6,53	3660	139,77	
	5	5	15	2,66	2,66	460	3,13	3,30	3,30	570	3,88	4,33	4,33	740	6,49	5,04	5,04	860	10,79	5,71	5,71	980	14,40	6,03	6,03	1030	15,96
			17	5,54	3,64	990	14,08	5,30	4,24	910	12,28	5,15	4,66	990	11,98	5,06	4,95	870	10,89	5,71	5,71	980	14,43	6,04	6,04	1040	15,99
			19	6,75	3,00	1160	19,37	6,71	3,57	1150	19,16	6,67	4,14	1140	18,96	6,63	4,70	1140	18,76	6,36	5,36	990	14,66	6,80	5,77	990	19,60
			21	-	-	-	-	8,95	3,69	1540	31,22	8,90	4,27	1530	30,93	8,86	4,83	1520	30,65	8,81	5,39	1510	30,37	8,78	5,67	1510	30,23
			23	-	-	-	-	-	-	-	-	11,24	4,37	1930	45,99	11,18	4,94	1920	45,60	11,13	5,51	1910	45,21	11,10	5,79	1900	45,02
	7	7	15	2,28	2,28	280	1,85	2,73	2,73	330	2,22	3,18	3,18	390	2,59	3,62	3,62	440	2,95	4,16	4,16	510	3,40	4,64	4,64	570	3,80
			17	4,15	3,82	990	4,05	2,74	2,68	340	2,22	3,18	3,18	390	2,59	3,62	3,62	440	2,95	4,17	4,17	510	3,40	4,65	4,65	570	3,81
			19	4,50	3,38	990	3,65	4,55	3,96	990	3,70	5,07	4,56	990	4,34	3,65	3,62	450	2,97	4,17	4,17	510	3,40	4,66	4,66	570	3,81
			21	-	-	-	-	6,39	2,70	780	8,19	6,33	3,26	780	7,95	6,73	4,15	990	9,76	6,60	4,81	990	8,36	6,92	5,23	990	10,53
			23	-	-	-	-	-	-	-	-	9,12	3,54	1120	18,08	9,07	4,11	1110	17,90	9,02	4,67	1110	17,72	8,99	4,95	1100	17,63
7	3	15	3,47	3,17	990	14,76	4,02	4,02	1150	19,01	4,66	4,66	1340	24,41	5,29	5,29	1520	30,26	5,91	5,91	1690	36,55	6,22	6,22	1780	39,85	
		17	5,30	3,15	1520	30,32	4,65	3,77	990	14,52	5,23	4,28	990	29,73	5,47	5,19	990	32,11	5,92	5,92	1700	36,62	6,23	6,23	1780	39,92	
		19	7,30	3,22	2090	52,38	7,26	3,80	2080	51,88	7,22	4,37	2070	51,39	7,18	4,93	2060	50,90	5,65	5,17	990	14,51	7,12	5,75	2040	50,19	
		21	-	-	-	-	9,39	3,87	2690	80,65	9,34	4,44	2680	79,94	9,29	5,01	2660	79,24	9,25	5,57	2650	78,55	9,22	5,85	2640	78,21	
		23	-	-	-	-	-	-	-	-	11,63	4,53	3330	116,62	11,57	5,10	3310	115,64	11,51	5,66	3300	114,68	11,49	5,94	3290	114,21	
	5	5	15	2,22	2,22	380	2,46	2,67	2,67	460	2,96	3,63	3,63	620	4,18	4,41	4,41	760	7,66	5,10	5,10	880	11,50	5,43	5,43	930	13,07
			17	2,37	2,20	410	2,61	3,44	3,25	990	4,38	3,64	3,64	630	4,19	4,42	4,42	760	7,69	5,11	5,11	880	11,53	5,44	5,44	930	13,09
			19	5,33	2,63	990	11,83	5,58	3,29	990	14,28	5,78	4,13	990	14,56	5,36	4,66	990	14,80	5,68	5,35	980	14,19	5,64	5,40	970	14,03
			21	-	-	-	-	7,45	3,10	1280	22,50	7,40	3,67	1270	22,27	7,36	4,23	1260	22,05	7,31	4,79	1260	21,82	7,29	5,07	1250	21,71
			23	-	-	-	-	-	-	-	-	9,77	3,79	1680	35,69	9,72	4,36	1670	35,37	9,67	4,92	1660	35,05	9,64	5,20	1660	34,89
	7	7	15	1,84	1,84	230	1,41	2,28	2,28	280	1,75	2,73	2,73	340	2,10	3,18	3,18	390	2,44	3,63	3,63	450	2,79	3,93	3,93	480	3,03
			17	1,86	1,78	990	1,42	2,29	2,29	280	1,75	2,73	2,73	340	2,10	3,18	3,18	390	2,44	3,63	3,63	450	2,80	3,94	3,94	480	3,03
			19	2,69	1,89	330	2,06	2,52	2,19	310	1,92	2,75	2,64	340	2,11	3,18	3,18	390	2,44	3,64	3,64	450	2,80	3,94	3,94	480	3,04
			21	-	-	-	-	4,76	2,76	990	3,72	4,97	3,51	990	3,99	4,91	3,83	990	3,97	5,49	4,67	990	5,93	3,95	3,92	490	3,05
			23	-	-	-	-	-	-	-	-	7,42	2,91	910	12,39	7,36	3,48	900	12,22	7,31	4,04	900	12,05	7,28	4,32	890	11,96
9	3	15	2,70	2,70	770	8,51	3,39	3,39	970	13,92	4,04	4,04	1160	18,77	4,67	4,67	1340	24,04	5,30	5,30	1520	29,75	5,61	5,61	1600	32,76	
		17	4,45	3,21	990	21,50	3,72	3,12	1060	16,31	4,07	3,93	1160	19,00	4,68	4,68	1340	24,08	5,30	5,30	1520	29,80	5,61	5,61	1610	32,82	
		19	5,80	2,62	1660	34,68	5,76	3,19	1650	34,30	5,73	3,76	1640	33,93	5,69	4,32	1630	33,57	5,67	4,92	1620	33,35	5,77	5,34	990	34,39	
		21	-	-	-	-	7,91	3,27	2260	58,94	7,86	3,85	2250	58,37	7,82	4,41	2240	57,81	5,89	4,44	990	14,32	7,75	5,25	2220	56,99	
		23	-	-	-	-	-	-	-	-	10,15	3,93	2900	90,64	10,10	4,50	2890	89,84	10,05	5,07	2870	89,05	10,02	5,35	2870	88,66	
	5	5	15	1,77	1,77	300	1,84	2,22	2,22	380	2,32	2,71	2,71	470	2,84	3,76	3,76	650	4,75	4,48	4,48	770	8,55	4,82	4,82	830	10,25
			17	1,77	1,75	300	1,85	2,22	2,22	380	2,32	2,71	2,71	470	2,84	3,76	3,76	650	4,77	4,48	4,48	770	8,57	4,82	4,82	830	10,28
			19	4,27	2,73	990	7,48	3,25	2,67	560	3,42	2,71	2,67	470	2,84	3,78	3,68	650	4,85	4,49	4,49	770	8,60	4,83	4,83	830	10,31
			21	-	-	-	-	5,76	2,47	990	14,32	5,72	3,04	980	14,13	6,21	4,06	990	16,12	5,89	4,44	990	14,32	6,13	4,92	1050	15,89
			23	-	-	-	-	-	-	-	-	8,18	3,19	1400	25,89	8,13	3,76	1400	25,63	8,08	4,32	1390	25,37	8,06	4,60	1380	25,24
	7	7	15	-	-	-	-	-	-	-	-	-	-	-	-	-	-	-	-	-	-	-	-	-	-	-	-
			17	1,40	1,40	170	1,01	1,84	1,84	230	1,33	2,29	2,29	280	1,66	2,73	2,73	340	1,99	3,17	3,17	390	2,30	3,40	3,40	420	2,47
			19	1,73	1,39	990	1,24	1,90	1,81	990	1,37	2,29	2,29	280	1,66	2,74	2,74	340	1,99	3,17	3,17	390	2,31	3,40	3,40	420	2,48
			21	-	-	-	-	2,71	1,78	330	1,96	2,58	2,17	320	1,86	2,77	2,60	340	2,01	3,18	3,18	390	2,31	3,41	3,41	420	2,48
			23	-	-	-	-	-	-	-	-	5,94	2,90	990	6,48	5,80	3,35	990	6,30	6,05	3,95	990	7,84	5,85	4,28	990	6,67

EWT = Exchanger water inlet temperature (°C)
 ΔT = Temperature differential (°C)
 Ta = Ambient temperature (°C)
 D.B. = Dry bulb
 W.B. = Wet bulb

TC = Total cooling capacity (kW)
 SC = Sensible cooling capacity (kW)
 WF = Water flow-rate (l/h)
 WDP = Exchanger pressure drops (kPa)

Cooling performance

CC4 - 4-pipe system

021.0																											
EWT	ΔT	Ta (W.B.)	Ta (D.B.)																								
			21				23				25				27				29				30				
			TC	SC	WF	WDP	TC	SC	WF	WDP	TC	SC	WF	WDP	TC	SC	WF	WDP	TC	SC	WF	WDP	TC	SC	WF	WDP	
[°C]	[°C]	[°C]	[kW]	[kW]	[l/h]	[kPa]	[kW]	[kW]	[l/h]	[kPa]	[kW]	[kW]	[l/h]	[kPa]	[kW]	[kW]	[l/h]	[kPa]	[kW]	[kW]	[l/h]	[kPa]	[kW]	[kW]	[l/h]	[kPa]	
11	3	15	1,98	1,98	570	3,42	2,74	2,74	780	9,20	3,41	3,41	980	13,88	4,05	4,05	1160	18,60	4,68	4,68	1340	23,76	4,99	4,99	1430	26,51	
		17	2,02	1,92	580	3,55	2,74	2,74	790	9,23	3,41	3,41	980	13,91	4,06	4,06	1160	18,64	4,69	4,69	1340	23,81	5,00	5,00	1430	26,56	
		19	4,22	2,50	990	14,17	4,71	3,12	990	23,98	4,48	3,55	1280	22,00	3,95	3,76	990	14,19	4,69	4,66	1350	23,86	5,01	5,01	1430	26,61	
		21	-	-	-	-	6,31	2,67	1810	39,48	5,16	3,12	990	14,13	5,07	3,62	990	14,12	6,19	4,36	1770	38,20	6,17	4,64	1770	38,00	
		23	-	-	-	-	-	-	-	-	8,57	3,33	2460	66,80	8,52	3,90	2440	66,16	8,48	4,46	2430	65,52	8,45	4,74	2420	65,21	
	5	15	-	-	-	-	-	-	-	-	-	-	-	-	-	-	-	-	-	-	-	-	-	-	-	-	-
		17	1,32	1,32	230	1,30	1,77	1,77	300	1,75	2,21	2,21	380	2,19	2,91	2,91	500	2,89	3,84	3,84	660	5,60	4,19	4,19	720	7,46	
		19	4,22	2,50	990	14,17	2,66	2,33	990	3,36	2,21	2,21	380	2,19	2,92	2,92	500	2,90	3,85	3,85	660	5,62	4,20	4,20	720	7,49	
		21	-	-	-	-	3,70	1,90	990	4,71	4,02	2,71	990	6,53	5,19	3,83	990	14,25	4,04	3,70	990	6,62	4,28	4,05	740	7,90	
		23	-	-	-	-	-	-	-	-	6,41	2,56	1100	16,89	6,37	3,13	1100	16,69	6,32	3,69	1090	16,49	6,30	3,97	990	16,40	
	7	15	-	-	-	-	-	-	-	-	-	-	-	-	-	-	-	-	-	-	-	-	-	-	-	-	-
		17	-	-	-	-	-	-	-	-	-	-	-	-	-	-	-	-	-	-	-	-	-	-	-	-	-
		19	-	-	-	-	1,40	1,40	170	0,96	1,84	1,84	230	1,27	2,29	2,29	280	1,57	2,73	2,73	340	1,88	2,95	2,95	360	2,03	
		21	-	-	-	-	1,77	1,40	990	1,20	1,94	1,85	990	1,33	2,29	2,28	280	1,57	4,09	3,69	990	7,32	2,95	2,95	360	2,03	
		23	-	-	-	-	-	-	-	-	4,04	2,66	990	2,93	3,94	3,25	990	2,85	4,10	3,70	990	3,05	2,98	2,89	370	2,05	
13	3	15	-	-	-	-	-	-	-	-	-	-	-	-	-	-	-	-	-	-	-	-	-	-	-	-	
		17	1,24	1,24	360	2,00	2,05	2,05	590	3,86	2,77	2,77	790	9,51	3,43	3,43	980	13,82	4,07	4,07	1170	18,45	4,38	4,38	1260	20,93	
		19	2,05	1,26	590	3,86	2,22	1,94	640	5,16	2,78	2,72	800	9,61	3,43	3,43	980	13,85	4,07	4,07	1170	18,48	4,39	4,39	1260	20,97	
		21	-	-	-	-	4,56	2,04	1310	22,38	4,84	2,87	1390	24,76	4,53	3,19	990	22,58	4,42	3,77	990	20,53	4,59	4,17	1320	22,61	
		23	-	-	-	-	-	-	-	-	6,86	2,72	1970	44,96	6,82	3,29	1960	44,47	6,77	3,85	1940	43,98	6,75	4,13	1940	43,75	
	5	15	-	-	-	-	-	-	-	-	-	-	-	-	-	-	-	-	-	-	-	-	-	-	-	-	-
		17	-	-	-	-	-	-	-	-	-	-	-	-	-	-	-	-	-	-	-	-	-	-	-	-	-
		19	-	-	-	-	1,32	1,32	230	1,24	1,77	1,77	300	1,66	2,21	2,21	380	2,08	3,15	3,15	540	3,16	3,55	3,55	610	4,59	
		21	-	-	-	-	1,73	1,50	990	1,61	1,81	1,75	310	1,70	2,21	2,21	380	2,08	3,16	3,16	540	3,17	3,55	3,55	610	4,62	
		23	-	-	-	-	-	-	-	-	5,52	2,84	990	12,79	4,96	2,98	990	10,97	4,96	3,66	990	10,80	4,80	3,86	990	10,18	
	7	15	-	-	-	-	-	-	-	-	-	-	-	-	-	-	-	-	-	-	-	-	-	-	-	-	-
		17	-	-	-	-	-	-	-	-	-	-	-	-	-	-	-	-	-	-	-	-	-	-	-	-	-
		19	-	-	-	-	-	-	-	-	-	-	-	-	-	-	-	-	-	-	-	-	-	-	-	-	-
		21	-	-	-	-	-	-	-	-	1,41	1,40	170	0,91	1,85	1,85	230	1,20	2,29	2,29	280	1,49	2,51	2,51	310	1,64	
		23	-	-	-	-	-	-	-	-	1,81	1,37	990	1,17	1,97	1,87	240	1,28	2,29	2,26	280	1,50	2,51	2,51	310	1,64	
15	3	15	-	-	-	-	-	-	-	-	-	-	-	-	-	-	-	-	-	-	-	-	-	-	-	-	
		17	-	-	-	-	-	-	-	-	-	-	-	-	-	-	-	-	-	-	-	-	-	-	-	-	
		19	-	-	-	-	1,24	1,24	360	1,89	2,10	2,10	600	4,54	2,79	2,79	800	9,59	3,45	3,45	990	13,72	3,76	3,76	1080	15,93	
		21	-	-	-	-	3,18	1,96	990	12,74	2,48	1,95	710	7,61	2,87	2,69	820	10,07	3,45	3,44	990	13,75	3,77	3,77	1080	15,97	
		23	-	-	-	-	-	-	-	-	4,99	2,09	1430	25,73	4,95	2,66	1420	25,38	4,92	3,22	1410	25,04	5,03	3,66	990	24,99	
	5	15	-	-	-	-	-	-	-	-	-	-	-	-	-	-	-	-	-	-	-	-	-	-	-	-	-
		17	-	-	-	-	-	-	-	-	-	-	-	-	-	-	-	-	-	-	-	-	-	-	-	-	-
		19	-	-	-	-	-	-	-	-	-	-	-	-	-	-	-	-	-	-	-	-	-	-	-	-	-
		21	-	-	-	-	-	-	-	-	1,32	1,32	230	1,18	1,77	1,77	300	1,58	2,23	2,23	380	1,99	2,77	2,77	480	2,50	
		23	-	-	-	-	-	-	-	-	1,79	1,50	990	1,60	2,61	2,05	990	2,73	2,23	2,23	380	1,99	2,78	2,78	480	2,50	
	7	15	-	-	-	-	-	-	-	-	-	-	-	-	-	-	-	-	-	-	-	-	-	-	-	-	-
		17	-	-	-	-	-	-	-	-	-	-	-	-	-	-	-	-	-	-	-	-	-	-	-	-	-
		19	-	-	-	-	-	-	-	-	-	-	-	-	-	-	-	-	-	-	-	-	-	-	-	-	-
		21	-	-	-	-	-	-	-	-	-	-	-	-	-	-	-	-	-	-	-	-	-	-	-	-	-
		23	-	-	-	-	-	-	-	-	-	-	-	-	-	-	-	-	-	-	-	-	-	-	-	-	-

EWT = Exchanger water inlet temperature (°C)
 ΔT = Temperature differential (°C)
 Ta = Ambient temperature (°C)
 D.B. = Dry bulb
 W.B. = Wet bulb

TC = Total cooling capacity (kW)
 SC = Sensible cooling capacity (kW)
 WF = Water flow-rate (l/h)
 WDP = Exchanger pressure drops (kPa)

Cooling performance

CC4 - 4-pipe system

031.0																											
EWT	ΔT	Ta (W.B.)	Ta (D.B.)																								
			21				23				25				27				29				30				
			TC	SC	WF	WDP	TC	SC	WF	WDP	TC	SC	WF	WDP	TC	SC	WF	WDP	TC	SC	WF	WDP	TC	SC	WF	WDP	
[°C]	[°C]	[°C]	[kW]	[kW]	[l/h]	[kPa]	[kW]	[kW]	[l/h]	[kPa]	[kW]	[kW]	[l/h]	[kPa]	[kW]	[kW]	[l/h]	[kPa]	[kW]	[kW]	[l/h]	[kPa]	[kW]	[kW]	[l/h]	[kPa]	
5	3	15	8,13	6,04	2320	61,96	8,09	6,96	2310	61,43	8,64	8,45	2460	68,76	9,62	9,62	2740	82,51	10,59	10,59	3020	97,13	11,07	11,07	3160	104,75	
		17	11,08	6,14	3160	104,92	11,01	7,04	3140	103,78	10,94	7,92	3120	102,66	8,92	8,36	1570	31,63	10,89	9,88	3110	101,91	11,14	10,66	3180	105,98	
		19	14,23	6,24	4060	161,05	14,14	7,15	4030	159,39	14,06	8,04	4010	157,75	13,97	8,92	3980	156,13	10,30	8,27	1570	31,56	13,85	10,21	3950	153,75	
		21	-	-	-	-	17,51	7,26	4990	230,37	17,41	8,16	4960	228,09	17,31	9,05	4940	225,84	17,21	9,92	4910	223,61	17,16	10,36	4890	222,51	
		23	-	-	-	-	-	-	-	-	21,03	8,29	6000	316,41	20,92	9,18	5960	313,37	20,80	10,07	5930	310,37	20,74	10,51	5910	308,89	
	5	15	4,65	4,65	800	7,08	6,32	6,32	1080	11,54	7,45	7,45	1280	20,09	8,50	8,50	1460	27,61	9,52	9,52	1630	33,87	10,02	10,02	1720	36,96	
		17	8,15	4,90	1400	25,33	8,23	5,99	1570	25,09	8,53	7,06	1570	28,50	8,90	8,44	1570	29,99	9,52	9,46	1630	33,90	10,03	10,03	1720	37,05	
		19	11,59	5,12	1990	47,31	11,51	6,02	1970	46,76	11,44	6,92	1960	46,22	11,59	8,00	1990	47,33	10,30	8,27	1570	31,56	11,25	9,11	1930	44,94	
		21	-	-	-	-	15,00	6,18	2570	73,21	14,90	7,08	2560	72,43	14,81	7,97	2540	71,67	14,72	8,85	2520	70,92	14,67	9,28	2520	70,55	
		23	-	-	-	-	-	-	-	-	18,58	7,24	3190	105,59	18,48	8,13	3170	104,53	18,37	9,02	3150	103,50	18,31	9,46	3140	102,98	
	7	15	3,87	3,87	470	4,07	4,62	4,62	570	4,86	5,36	5,36	660	5,65	6,32	6,32	770	6,68	8,05	8,05	990	9,18	8,67	8,67	1060	11,34	
		17	4,25	3,71	1570	4,45	4,66	4,53	570	4,90	5,36	5,36	660	5,65	6,33	6,33	780	6,69	8,06	8,06	990	9,22	8,69	8,69	1060	11,39	
		19	8,44	4,30	1570	10,15	8,79	5,41	1080	11,83	8,54	6,32	1050	10,86	8,29	7,20	1020	9,97	8,75	8,20	1070	11,72	8,98	8,65	1570	12,88	
		21	-	-	-	-	11,87	4,93	1450	27,32	11,78	5,83	1440	26,92	12,00	7,01	1470	27,90	11,59	7,59	1420	26,11	11,55	8,02	1420	25,91	
		23	-	-	-	-	-	-	-	-	15,76	6,10	1930	44,60	15,65	7,00	1920	44,11	15,55	7,88	1910	43,63	15,50	8,32	1900	43,39	
7	3	15	6,06	5,35	1570	36,08	6,65	6,56	1900	43,58	7,66	7,66	2190	55,32	8,64	8,64	2470	67,96	9,61	9,61	2750	81,51	10,10	10,10	2890	88,60	
		17	8,87	5,19	2540	71,04	9,06	6,31	2600	73,70	8,75	6,97	2500	69,34	8,86	8,11	2540	70,96	9,62	9,60	2760	81,66	10,11	10,11	2900	88,83	
		19	12,04	5,30	3450	119,71	11,96	6,21	3430	118,40	11,88	7,10	3400	117,10	11,81	7,98	3380	115,81	11,73	8,85	3360	114,55	9,27	8,61	1570	30,54	
		21	-	-	-	-	15,34	6,32	4390	181,62	15,25	7,22	4370	179,73	15,15	8,11	4340	177,87	15,06	8,99	4310	176,03	15,02	9,42	4300	175,12	
		23	-	-	-	-	-	-	-	-	18,87	7,35	5410	259,97	18,77	8,25	5370	257,38	18,66	9,14	5340	254,83	18,60	9,57	5330	253,56	
	5	15	3,74	3,74	640	5,36	5,08	5,08	870	7,33	6,43	6,43	1100	13,43	7,51	7,51	1290	21,45	8,54	8,54	1470	27,71	9,05	9,05	1550	30,62	
		17	4,05	3,55	1570	5,80	5,76	5,17	1570	9,29	6,45	6,23	1110	13,64	7,52	7,52	1290	21,52	8,56	8,56	1470	27,78	9,06	9,06	1560	30,70	
		19	9,55	4,47	1570	33,47	9,07	5,04	1560	30,72	9,00	5,93	1550	30,30	8,75	7,51	1570	33,90	9,16	7,99	1570	31,33	9,38	8,69	1570	31,13	
		21	-	-	-	-	12,65	5,24	2170	54,01	12,57	6,14	2160	53,39	12,48	7,03	2140	52,78	12,40	7,90	2130	52,18	12,36	8,34	2120	51,88	
		23	-	-	-	-	-	-	-	-	16,28	6,30	2800	82,98	16,18	7,20	2780	82,11	16,08	8,09	2760	81,25	16,03	8,52	2750	80,82	
	7	15	3,13	3,13	380	3,10	3,87	3,87	470	3,84	4,61	4,61	570	4,59	5,38	5,38	660	5,36	6,82	6,82	840	6,84	7,63	7,63	940	8,29	
		17	3,20	3,03	390	3,17	3,87	3,87	480	3,85	4,61	4,61	570	4,59	5,38	5,38	660	5,36	6,83	6,83	840	6,86	7,65	7,65	940	8,33	
		19	7,79	4,47	1570	11,17	4,42	3,85	540	4,37	4,77	4,65	590	4,73	5,39	5,39	660	5,37	6,85	6,85	840	6,88	7,63	7,63	1570	31,14	
		21	-	-	-	-	8,92	3,84	1100	13,69	8,93	5,12	1570	11,86	9,63	6,29	1180	17,31	9,27	6,95	1570	15,65	9,22	7,43	1570	15,00	
		23	-	-	-	-	-	-	-	-	13,20	5,14	1620	32,55	13,11	6,04	1610	32,15	13,01	6,92	1600	31,76	12,96	7,36	1590	31,56	
9	3	15	4,60	4,60	1310	22,52	5,64	5,64	1610	32,38	6,66	6,66	1900	42,82	7,65	7,65	2190	54,22	8,63	8,63	2470	66,54	9,12	9,12	2610	73,04	
		17	6,45	4,21	1570	40,66	6,39	5,12	1830	39,97	6,76	6,37	1940	43,97	7,66	7,66	2190	54,35	8,64	8,64	2470	66,71	9,13	9,13	2610	73,22	
		19	9,67	4,34	2770	80,75	9,60	5,25	2750	79,76	7,70	5,43	1570	30,71	9,46	7,02	2710	77,83	8,04	7,61	1570	30,70	9,49	8,54	2720	78,20	
		21	-	-	-	-	13,00	5,37	3720	134,07	12,91	6,27	3690	132,58	12,83	7,16	3670	131,11	12,75	8,04	3650	129,66	12,71	8,47	3630	128,95	
		23	-	-	-	-	-	-	-	-	16,55	6,40	4730	203,43	16,45	7,30	4710	201,31	16,35	8,19	4680	199,21	16,30	8,63	4660	198,17	
	5	15	2,99	2,99	510	4,05	3,75	3,75	640	5,08	5,34	5,34	920	7,86	6,50	6,50	1120	15,07	7,56	7,56	1300	21,89	8,07	8,07	1390	24,72	
		17	3,04	3,01	520	4,11	5,02	4,76	1570	11,62	5,35	5,35	920	7,89	6,51	6,51	1120	15,14	7,57	7,57	1300	21,95	8,08	8,08	1390	24,78	
		19	7,39	3,87	1570	21,41	7,35	4,87	1570	21,05	7,70	5,43	1570	30,72	7,05	6,57	1570	18,26	7,59	7,38	1570	22,02	8,09	8,03	1390	24,81	
		21	-	-	-	-	10,07	4,26	1730	36,06	10,37	5,51	1780	37,89	9,92	6,05	1700	35,13	9,84	6,92	1690	34,67	9,80	7,36	1680	34,44	
		23	-	-	-	-	-	-	-	-	13,79	5,35	2370	61,41	13,69	6,25	2350	60,71	13,60	7,13	2340	60,02	13,56	7,57	2330	59,68	
	7	15	-	-	-	-	-	-	-	-	-	-	-	-	-	-	-	-	-	-	-	-	-	-	-	-	-
		17	2,39	2,39	290	2,24	3,13	3,13	380	2,93	3,87	3,87	480	3,64	4,60	4,60	570	4,33	5,48	5,48	670	5,16	6,35	6,35	780	6,01	
		19	2,90	2,16	1570	2,70	3,23	3,00	400	3,03	7,70	5,43	1570	30,72	4,61	4,61	570	4,34	5,49	5,49	670	5,17	6,37	6,37	780	6,03	
		21	-	-	-	-	4,49	2,79	1570	4,18	7,03	5,30	1570	7,13	5,93	5,51	1570	5,86	5,50	5,47	680	5,18	6,42	6,42	790	6,08	
		23	-	-	-	-	-	-	-	-	10,28	4,10	1260	20,60	10,18	5,00	1250	20,22	10,09	5,88	1240	19,85	10,05	6,31	1570	19,68	

EWT = Exchanger water inlet temperature (°C)
 ΔT = Temperature differential (°C)
 Ta = Ambient temperature (°C)
 D.B. = Dry bulb
 W.B. = Wet bulb

TC = Total cooling capacity (kW)
 SC = Sensible cooling capacity (kW)
 WF = Water flow-rate (l/h)
 WDP = Exchanger pressure drops (kPa)

Cooling performance

CC4 - 4-pipe system

031.0																											
EWT	ΔT	Ta (W.B.)	Ta (D.B.)																								
			21				23				25				27				29				30				
			TC	SC	WF	WDP	TC	SC	WF	WDP	TC	SC	WF	WDP	TC	SC	WF	WDP	TC	SC	WF	WDP	TC	SC	WF	WDP	
[°C]	[°C]	[°C]	[kW]	[kW]	[l/h]	[kPa]	[kW]	[kW]	[l/h]	[kPa]	[kW]	[kW]	[l/h]	[kPa]	[kW]	[kW]	[l/h]	[kPa]	[kW]	[kW]	[l/h]	[kPa]	[kW]	[kW]	[l/h]	[kPa]	
11	3	15	3,52	3,52	1010	11,16	4,62	4,62	1320	22,65	5,65	5,65	1620	32,00	6,66	6,66	1910	42,21	7,65	7,65	2190	53,38	8,14	8,14	2330	59,31	
		17	3,78	3,26	1080	14,24	4,63	4,53	1330	22,70	5,66	5,66	1620	32,08	6,67	6,67	1910	42,31	7,66	7,66	2190	53,51	8,15	8,15	2330	59,45	
		19	7,47	3,71	2140	51,28	6,30	3,99	1570	30,28	6,97	5,16	2000	45,60	7,05	6,21	2020	46,48	7,69	7,50	2200	53,88	8,16	8,16	2340	59,61	
		21	-	-	-	-	10,47	4,40	3000	91,31	10,40	5,30	2980	90,19	10,33	6,19	2960	89,08	10,25	7,07	2940	87,99	10,21	7,50	2930	87,45	
		23	-	-	-	-	-	-	-	-	14,05	5,44	4030	151,36	13,96	6,34	4000	149,66	13,87	7,23	3970	148,00	13,83	7,67	3960	147,17	
	5	15	-	-	-	-	-	-	-	-	-	-	-	-	-	-	-	-	-	-	-	-	-	-	-	-	-
		17	2,24	2,24	390	2,87	2,99	2,99	510	3,83	3,82	3,82	660	4,91	5,46	5,46	940	8,97	6,56	6,56	1130	16,28	7,09	7,09	1220	19,32	
		19	2,85	2,33	1570	3,63	3,07	2,99	530	3,93	3,83	3,83	660	4,92	5,47	5,47	940	9,02	6,57	6,57	1130	16,34	7,10	7,10	1220	19,38	
		21	-	-	-	-	7,57	3,60	1570	21,53	7,81	4,68	1340	23,04	7,23	5,25	1570	20,05	7,12	6,05	1570	19,26	7,59	6,82	1570	21,98	
		23	-	-	-	-	-	-	-	-	11,06	4,37	1900	41,57	10,97	5,27	1890	41,04	11,22	6,46	1930	42,62	10,85	6,59	1870	40,25	
	7	15	-	-	-	-	-	-	-	-	-	-	-	-	-	-	-	-	-	-	-	-	-	-	-	-	-
		17	-	-	-	-	-	-	-	-	-	-	-	-	-	-	-	-	-	-	-	-	-	-	-	-	-
		19	-	-	-	-	2,39	2,36	290	2,12	3,13	3,13	380	2,78	3,87	3,87	480	3,45	4,61	4,61	570	4,11	5,05	5,05	620	4,51	
		21	-	-	-	-	3,06	2,23	1570	2,70	3,26	2,91	400	2,89	3,88	3,82	1570	3,45	4,61	4,61	570	4,11	5,06	5,06	620	4,52	
		23	-	-	-	-	-	-	-	-	8,13	4,05	1000	11,64	7,46	4,69	920	8,73	7,10	5,52	1570	7,39	7,19	6,01	880	7,74	
13	3	15	-	-	-	-	-	-	-	-	-	-	-	-	-	-	-	-	-	-	-	-	-	-	-	-	
		17	2,11	2,11	610	4,40	3,57	3,57	1020	12,68	4,64	4,64	1330	22,59	5,67	5,67	1630	31,67	6,67	6,67	1910	41,68	7,16	7,16	2050	47,05	
		19	5,18	3,10	1570	29,83	4,12	3,25	1180	18,18	4,73	4,45	1360	23,30	5,68	5,68	1630	31,75	6,68	6,68	1920	41,79	7,17	7,17	2060	47,17	
		21	-	-	-	-	7,73	3,41	2220	53,55	6,61	3,95	1570	29,75	7,60	5,21	2180	52,01	7,54	6,09	2160	51,36	7,64	6,69	2190	52,48	
		23	-	-	-	-	-	-	-	-	11,36	4,47	3260	103,49	11,27	5,37	3230	102,22	11,19	6,25	3210	100,96	11,15	6,69	3200	100,34	
	5	15	-	-	-	-	-	-	-	-	-	-	-	-	-	-	-	-	-	-	-	-	-	-	-	-	-
		17	-	-	-	-	-	-	-	-	-	-	-	-	-	-	-	-	-	-	-	-	-	-	-	-	-
		19	-	-	-	-	2,24	2,24	390	2,72	2,99	2,99	510	3,63	4,12	4,12	710	5,03	5,54	5,54	950	10,32	6,09	6,09	1050	13,86	
		21	-	-	-	-	4,13	2,61	1570	5,42	4,33	3,42	1570	5,98	4,11	4,06	710	5,01	5,55	5,44	960	10,36	6,09	6,05	1050	13,86	
		23	-	-	-	-	-	-	-	-	7,98	3,33	1370	23,59	7,90	4,23	1570	23,21	8,50	5,33	1570	29,63	7,79	5,56	1340	22,64	
	7	15	-	-	-	-	-	-	-	-	-	-	-	-	-	-	-	-	-	-	-	-	-	-	-	-	-
		17	-	-	-	-	-	-	-	-	-	-	-	-	-	-	-	-	-	-	-	-	-	-	-	-	-
		19	-	-	-	-	-	-	-	-	-	-	-	-	-	-	-	-	-	-	-	-	-	-	-	-	-
		21	-	-	-	-	-	-	-	-	6,61	3,95	1570	29,76	3,13	3,13	380	2,64	3,87	3,87	480	3,27	4,23	4,23	520	3,58	
		23	-	-	-	-	-	-	-	-	3,10	2,10	1570	2,60	3,30	2,87	410	2,78	3,88	3,76	480	3,28	4,23	4,21	520	3,58	
15	3	15	-	-	-	-	-	-	-	-	-	-	-	-	-	-	-	-	-	-	-	-	-	-	-	-	
		17	-	-	-	-	-	-	-	-	-	-	-	-	-	-	-	-	-	-	-	-	-	-	-	-	
		19	-	-	-	-	2,18	2,18	620	4,30	3,61	3,61	1040	13,68	4,66	4,66	1340	22,42	5,68	5,68	1630	31,28	6,18	6,18	1770	36,07	
		21	-	-	-	-	5,35	3,05	1530	28,22	4,69	3,50	1570	21,93	4,91	4,39	1410	24,45	5,70	5,58	1640	31,44	6,19	6,19	1780	36,18	
		23	-	-	-	-	-	-	-	-	8,42	3,47	2420	61,04	8,71	4,71	2500	64,70	8,28	5,26	2380	59,28	8,24	5,69	2370	58,85	
	5	15	-	-	-	-	-	-	-	-	-	-	-	-	-	-	-	-	-	-	-	-	-	-	-	-	-
		17	-	-	-	-	-	-	-	-	-	-	-	-	-	-	-	-	-	-	-	-	-	-	-	-	-
		19	-	-	-	-	-	-	-	-	-	-	-	-	-	-	-	-	-	-	-	-	-	-	-	-	-
		21	-	-	-	-	-	-	-	-	2,24	2,24	390	2,58	2,98	2,98	510	3,44	4,42	4,42	760	5,34	5,04	5,04	870	7,98	
		23	-	-	-	-	-	-	-	-	4,54	2,25	1570	6,60	3,12	2,86	540	3,59	4,82	4,45	1570	6,43	5,21	4,79	900	8,98	
	7	15	-	-	-	-	-	-	-	-	-	-	-	-	-	-	-	-	-	-	-	-	-	-	-	-	-
		17	-	-	-	-	-	-	-	-	-	-	-	-	-	-	-	-	-	-	-	-	-	-	-	-	-
		19	-	-	-	-	-	-	-	-	-	-	-	-	-	-	-	-	-	-	-	-	-	-	-	-	-
		21	-	-	-	-	-	-	-	-	-	-	-	-	-	-	-	-	-	-	-	-	-	-	-	-	-
		23	-	-	-	-	-	-	-	-	-	-	-	-	-	-	-	-	-	-	-	-	-	-	-	-	-

EWT = Exchanger water inlet temperature (°C)
 ΔT = Temperature differential (°C)
 Ta = Ambient temperature (°C)
 D.B. = Dry bulb
 W.B. = Wet bulb

TC = Total cooling capacity (kW)
 SC = Sensible cooling capacity (kW)
 WF = Water flow-rate (l/h)
 WDP = Exchanger pressure drops (kPa)

Cooling performance

CC4 - 4-pipe system

041.0																											
EWT	ΔT	Ta (W.B.)	Ta (D.B.)																								
			21				23				25				27				29				30				
			TC	SC	WF	WDP	TC	SC	WF	WDP	TC	SC	WF	WDP	TC	SC	WF	WDP	TC	SC	WF	WDP	TC	SC	WF	WDP	
[°C]	[°C]	[°C]	[kW]	[kW]	[l/h]	[kPa]	[kW]	[kW]	[l/h]	[kPa]	[kW]	[kW]	[l/h]	[kPa]	[kW]	[kW]	[l/h]	[kPa]	[kW]	[kW]	[l/h]	[kPa]	[kW]	[kW]	[l/h]	[kPa]	
5	3	15	8,24	6,14	2350	58,22	8,21	7,11	2340	57,82	8,79	8,63	2510	65,00	9,80	9,80	2790	78,09	10,79	10,79	3080	92,02	11,28	11,28	3220	99,30	
		17	11,25	6,25	3210	98,95	8,68	6,09	1580	29,41	8,74	7,14	1580	29,41	11,05	8,96	3150	95,84	11,08	10,10	3160	96,38	11,34	10,87	3230	100,32	
		19	14,47	6,35	4130	152,22	14,38	7,28	4100	150,69	14,30	8,19	4080	149,19	14,22	9,09	4050	147,70	14,13	9,98	4030	146,23	14,09	10,42	4020	145,50	
		21	-	-	-	-	17,82	7,39	5080	218,14	17,73	8,31	5050	216,04	17,63	9,22	5030	213,97	17,53	10,12	5000	211,93	17,48	10,56	4980	210,91	
		23	-	-	-	-	-	-	-	-	21,43	8,44	6110	300,05	21,31	9,36	6080	297,25	21,20	10,27	6040	294,49	21,14	10,72	6030	293,12	
	5	15	4,64	4,64	800	6,49	6,39	6,39	1100	10,99	7,54	7,54	1290	19,15	8,62	8,62	1480	26,06	9,66	9,66	1660	31,93	10,18	10,18	1750	34,86	
		17	8,23	4,96	1580	23,90	9,01	6,47	1580	29,63	8,82	7,38	1580	27,98	9,01	8,54	1550	28,26	9,68	9,65	1660	32,02	10,19	10,19	1750	34,94	
		19	11,73	5,18	2010	44,30	11,65	6,11	2000	43,80	11,57	7,02	1980	43,30	11,54	7,94	1580	43,46	11,42	8,81	1960	42,34	11,39	9,27	1950	42,14	
		21	-	-	-	-	15,21	6,27	2610	68,85	15,12	7,19	2590	68,14	15,03	8,10	2580	67,44	14,93	9,00	2560	66,75	14,89	9,44	2550	66,41	
		23	-	-	-	-	-	-	-	-	18,88	7,35	3240	99,58	18,77	8,27	3220	98,62	18,66	9,18	3200	97,66	18,61	9,62	3190	97,19	
	7	15	3,85	3,85	470	3,72	4,60	4,60	560	4,45	5,34	5,34	650	5,17	6,31	6,31	770	6,13	8,14	8,14	1000	8,67	8,78	8,78	1080	10,82	
		17	4,15	3,63	510	3,99	4,63	4,55	570	4,48	5,34	5,34	660	5,17	6,32	6,32	780	6,14	8,16	8,16	1000	8,71	8,79	8,79	1080	10,87	
		19	8,73	4,45	1580	10,69	9,36	5,89	1150	13,44	8,51	6,37	1580	9,95	8,35	7,43	1580	9,23	8,76	8,28	1580	10,85	9,13	8,82	1120	12,41	
		21	-	-	-	-	11,95	4,97	1460	25,40	12,21	6,25	1580	26,23	12,10	7,09	1580	26,07	11,67	7,69	1430	24,30	11,63	8,13	1430	24,12	
		23	-	-	-	-	-	-	-	-	15,93	6,17	1950	41,72	15,83	7,09	1940	41,28	15,73	7,99	1930	40,83	15,68	8,44	1920	40,62	
	7	3	15	6,00	5,27	1720	33,67	6,75	6,67	1930	41,07	7,78	7,78	2230	52,26	8,79	8,79	2520	64,30	9,79	9,79	2800	77,20	10,28	10,28	2950	83,96
			17	9,00	5,28	2580	66,81	7,38	5,56	1580	29,03	7,55	6,78	1580	29,02	9,01	8,29	2580	67,00	9,80	9,80	2810	77,38	10,30	10,30	2950	84,16
			19	12,23	5,39	3500	112,96	12,15	6,31	3480	111,75	12,08	7,23	3460	110,55	12,00	8,13	3440	109,37	9,25	8,14	3400	108,30	9,14	9,46	3380	107,98
			21	-	-	-	-	15,60	6,43	4470	171,79	15,51	7,36	4440	170,05	15,42	8,27	4420	168,33	15,33	9,16	4390	166,64	15,29	9,61	4380	165,80
			23	-	-	-	-	-	-	-	-	19,22	7,49	5500	246,33	19,11	8,41	5470	243,95	19,01	9,31	5440	241,59	18,95	9,76	5430	240,43
5		15	3,73	3,73	640	4,91	5,13	5,13	880	6,81	6,50	6,50	1120	12,86	7,61	7,61	1310	20,32	8,67	8,67	1490	26,13	9,19	9,19	1580	28,87	
		17	6,37	4,88	1580	12,13	5,85	5,32	1580	8,80	6,53	6,32	1120	13,03	7,62	7,62	1310	20,38	8,68	8,68	1490	26,19	9,20	9,20	1580	28,94	
		19	9,64	4,53	1660	31,31	9,15	5,10	1570	28,62	9,07	6,02	1580	28,24	8,76	7,70	1580	33,00	9,25	8,14	1580	28,90	9,70	8,98	1670	31,64	
		21	-	-	-	-	12,81	5,31	2200	50,65	12,73	6,23	2190	50,08	12,64	7,14	2170	49,52	12,56	8,04	2160	48,97	12,74	8,72	1580	49,79	
		23	-	-	-	-	-	-	-	-	16,52	6,40	2840	78,12	16,42	7,32	2820	77,32	16,32	8,22	2800	76,53	16,27	8,67	2800	76,14	
7		15	3,11	3,11	380	2,83	3,85	3,85	470	3,51	4,59	4,59	560	4,20	5,36	5,36	660	4,90	6,88	6,88	850	6,36	7,72	7,72	950	7,84	
		17	3,18	3,03	390	2,89	3,85	3,85	470	3,52	4,60	4,60	560	4,20	5,37	5,37	660	4,91	6,90	6,90	850	6,38	7,74	7,74	950	7,87	
		19	7,31	5,35	1580	7,21	4,19	3,47	1580	3,81	4,69	4,57	580	4,28	5,37	5,37	660	4,91	6,92	6,92	850	6,40	7,75	7,75	950	7,91	
		21	-	-	-	-	8,90	3,84	1090	12,45	9,43	5,15	1580	15,11	9,55	6,27	1580	15,59	9,47	7,25	1580	15,14	9,53	7,86	1580	15,34	
		23	-	-	-	-	-	-	-	-	13,31	5,19	1630	30,32	13,22	6,11	1620	29,95	13,13	7,01	1610	29,59	13,36	7,75	1580	30,27	
9		3	15	4,66	4,66	1330	21,23	5,73	5,73	1640	30,50	6,77	6,77	1940	40,42	7,79	7,79	2230	51,26	8,79	8,79	2510	62,99	9,28	9,28	2660	69,18
			17	6,52	4,27	1580	37,97	6,04	5,08	1580	28,62	6,86	6,48	1960	41,39	7,80	7,80	2230	51,38	8,80	8,80	2520	63,14	9,30	9,30	2660	69,35
			19	9,81	4,41	2810	75,99	9,74	5,33	2790	75,08	9,67	6,25	2770	74,18	9,61	7,15	2750	73,30	9,55	8,05	2730	72,53	9,65	8,73	2760	73,87
			21	-	-	-	-	13,21	5,46	3780	126,60	13,13	6,38	3760	125,23	13,04	7,29	3730	123,87	12,96	8,19	3710	122,53	12,92	8,63	3700	121,87
			23	-	-	-	-	-	-	-	-	16,84	6,52	4820	192,54	16,74	7,44	4790	190,58	16,65	8,35	4760	188,64	16,60	8,79	4750	187,69
	5	15	2,98	2,98	510	3,70	3,73	3,73	640	4,65	5,40	5,40	930	7,42	6,58	6,58	1130	14,39	7,67	7,67	1320	20,66	8,19	8,19	1410	23,30	
		17	2,99	2,94	510	3,72	5,98	5,23	1580	25,63	5,41	5,41	930	7,45	6,59	6,59	1130	14,45	7,68	7,68	1320	20,71	8,20	8,20	1410	23,35	
		19	7,82	4,28	1340	21,45	7,20	4,91	1580	18,10	6,82	5,59	1580	15,96	6,88	6,34	1580	16,14	8,11	7,90	1580	25,55	8,20	8,16	1410	23,36	
		21	-	-	-	-	10,17	4,31	1750	33,66	10,46	5,53	1800	35,28	10,02	6,14	1720	32,80	9,94	7,03	1710	32,38	9,90	7,48	1700	32,17	
		23	-	-	-	-	-	-	-	-	13,97	5,42	2400	57,65	13,88	6,34	2380	57,01	13,79	7,25	2370	56,38	13,74	7,70	2360	56,07	
	7	15	-	-	-	-	-	-	-	-	-	-	-	-	-	-	-	-	-	-	-	-	-	-	-	-	
		17	2,37	2,37	290	2,04	3,11	3,11	380	2,68	3,85	3,85	470	3,32	4,59	4,59	560	3,96	5,47	5,47	670	4,73	6,41	6,41	790	5,57	
		19	2,86	2,16	1580	2,45	3,21	3,01	390	2,76	3,86	3,86	470	3,33	4,59	4,59	560	3,97	5,47	5,47	670	4,74	6,43	6,43	790	5,59	
		21	-	-	-	-	4,54	2,97	1580	3,90	6,13	4,65	1580	5,59	6,49	5,64	1580	5,98	5,48	5,48	1580	4,74	6,45	6,45	790	5,61	
		23	-	-	-	-	-	-	-	-	10,30	4,12	1270	19,01	10,21	5,04	1250	18,67	10,12	5,94	1580	18,35	10,08	6,39	1580	18,17	

EWT = Exchanger water inlet temperature (°C)
 ΔT = Temperature differential (°C)
 Ta = Ambient temperature (°C)
 D.B. = Dry bulb
 W.B. = Wet bulb

TC = Total cooling capacity (kW)
 SC = Sensible cooling capacity (kW)
 WF = Water flow-rate (l/h)
 WDP = Exchanger pressure drops (kPa)

Cooling performance

CC4 - 4-pipe system

041.0																											
EWT	ΔT	Ta (W.B.)	Ta (D.B.)																								
			21				23				25				27				29				30				
			TC	SC	WF	WDP	TC	SC	WF	WDP	TC	SC	WF	WDP	TC	SC	WF	WDP	TC	SC	WF	WDP	TC	SC	WF	WDP	
[°C]	[°C]	[°C]	[kW]	[kW]	[l/h]	[kPa]	[kW]	[kW]	[l/h]	[kPa]	[kW]	[kW]	[l/h]	[kPa]	[kW]	[kW]	[l/h]	[kPa]	[kW]	[kW]	[l/h]	[kPa]	[kW]	[kW]	[l/h]	[kPa]	
11	3	15	3,56	3,56	1020	10,67	4,69	4,69	1340	21,32	5,74	5,74	1650	30,17	6,77	6,77	1940	39,87	7,78	7,78	2230	50,50	8,28	8,28	2370	56,14	
		17	3,81	3,32	1090	13,34	4,69	4,61	1340	21,37	5,75	5,75	1650	30,24	6,78	6,78	1940	39,96	7,79	7,79	2230	50,62	8,30	8,30	2380	56,28	
		19	7,18	3,40	2060	43,96	7,12	4,33	2040	43,33	6,56	5,07	1580	32,11	7,15	6,34	2050	43,72	7,82	7,64	2240	50,89	8,31	8,31	2380	56,42	
		21	-	-	-	-	10,63	4,47	3050	85,99	10,56	5,40	3020	84,96	8,15	5,46	1580	27,98	10,41	7,20	2980	82,94	10,37	7,65	2970	82,44	
		23	-	-	-	-	-	-	-	-	14,29	5,54	4090	143,01	14,20	6,46	4070	141,46	14,11	7,36	4040	139,92	14,06	7,81	4030	139,16	
	5	15	-	-	-	-	-	-	-	-	-	-	-	-	-	-	-	-	-	-	-	-	-	-	-	-	-
		17	2,23	2,23	380	2,62	2,98	2,98	510	3,50	3,81	3,81	660	4,49	5,52	5,52	950	8,57	6,65	6,65	1140	15,44	7,19	7,19	1240	18,23	
		19	4,17	2,33	1580	5,97	3,02	2,93	520	3,55	3,82	3,82	660	4,50	5,53	5,53	950	8,61	6,66	6,66	1150	15,50	7,20	7,20	1240	18,28	
		21	-	-	-	-	7,77	4,04	1580	18,55	7,85	4,83	1350	21,36	8,32	5,67	1580	28,15	7,42	6,36	1580	19,54	7,80	7,11	1340	21,11	
		23	-	-	-	-	-	-	-	-	11,17	4,42	1920	38,85	11,09	5,34	1910	38,36	11,32	6,51	1950	39,74	10,97	6,69	1890	37,65	
	7	15	-	-	-	-	-	-	-	-	-	-	-	-	-	-	-	-	-	-	-	-	-	-	-	-	-
		17	-	-	-	-	-	-	-	-	-	-	-	-	-	-	-	-	-	-	-	-	-	-	-	-	-
		19	-	-	-	-	2,37	2,34	290	1,93	3,11	3,11	380	2,54	3,85	3,85	470	3,15	4,59	4,59	560	3,76	5,04	5,04	620	4,13	
		21	-	-	-	-	2,90	2,05	1580	2,35	3,24	2,99	400	2,64	3,86	3,84	470	3,16	4,60	4,60	570	3,76	5,04	5,04	620	4,14	
		23	-	-	-	-	-	-	-	-	8,05	3,98	1580	10,44	7,43	4,74	1580	8,07	7,30	5,72	1580	7,50	7,27	6,18	890	7,36	
13	3	15	-	-	-	-	-	-	-	-	-	-	-	-	-	-	-	-	-	-	-	-	-	-	-	-	
		17	2,10	2,10	600	4,02	3,61	3,61	1040	12,08	4,71	4,71	1350	21,26	5,76	5,76	1650	29,87	6,78	6,78	1950	39,39	7,29	7,29	2090	44,50	
		19	5,14	3,28	1580	24,60	4,14	3,30	1190	16,87	4,79	4,54	1370	21,87	5,77	5,77	1660	29,94	6,79	6,79	1950	39,49	7,30	7,30	2090	44,61	
		21	-	-	-	-	8,21	3,85	1580	53,77	7,76	4,39	2230	49,48	7,69	5,30	2210	48,77	7,64	6,21	2190	48,19	7,75	6,82	2220	49,39	
		23	-	-	-	-	-	-	-	-	11,53	4,54	3310	97,54	11,45	5,46	3280	96,37	11,37	6,37	3260	95,21	11,33	6,82	3250	94,63	
	5	15	-	-	-	-	-	-	-	-	-	-	-	-	-	-	-	-	-	-	-	-	-	-	-	-	-
		17	-	-	-	-	-	-	-	-	-	-	-	-	-	-	-	-	-	-	-	-	-	-	-	-	-
		19	-	-	-	-	2,23	2,23	380	2,49	2,98	2,98	510	3,32	4,15	4,15	710	4,65	5,61	5,61	970	9,88	6,17	6,17	1060	13,17	
		21	-	-	-	-	2,84	2,23	490	3,16	3,06	2,96	530	3,41	4,16	4,13	720	4,66	5,61	5,53	970	9,91	6,18	6,18	1060	13,24	
		23	-	-	-	-	-	-	-	-	8,02	3,36	1380	21,85	8,14	4,54	1580	21,67	7,87	5,18	1580	21,14	7,86	5,65	1580	21,20	
	7	15	-	-	-	-	-	-	-	-	-	-	-	-	-	-	-	-	-	-	-	-	-	-	-	-	-
		17	-	-	-	-	-	-	-	-	-	-	-	-	-	-	-	-	-	-	-	-	-	-	-	-	-
		19	-	-	-	-	-	-	-	-	-	-	-	-	-	-	-	-	-	-	-	-	-	-	-	-	-
		21	-	-	-	-	-	-	-	-	2,37	2,31	290	1,83	3,11	3,11	380	2,41	3,85	3,85	470	2,99	4,22	4,22	520	3,27	
		23	-	-	-	-	-	-	-	-	2,97	2,00	1580	2,29	3,28	2,96	1580	2,54	3,86	3,77	470	2,99	4,22	4,22	520	3,28	
15	3	15	-	-	-	-	-	-	-	-	-	-	-	-	-	-	-	-	-	-	-	-	-	-	-	-	
		17	-	-	-	-	-	-	-	-	-	-	-	-	-	-	-	-	-	-	-	-	-	-	-	-	
		19	-	-	-	-	2,17	2,17	620	3,94	3,65	3,65	1050	12,97	4,73	4,73	1360	21,11	5,77	5,77	1660	29,52	6,29	6,29	1800	34,08	
		21	-	-	-	-	5,60	3,35	1580	27,12	5,08	3,88	1460	23,71	4,97	4,47	1430	22,91	5,79	5,69	1660	29,67	6,30	6,30	1810	34,18	
		23	-	-	-	-	-	-	-	-	8,53	3,52	2450	57,27	8,80	4,74	2530	60,48	8,38	5,35	2410	55,65	8,35	5,80	2400	55,25	
	5	15	-	-	-	-	-	-	-	-	-	-	-	-	-	-	-	-	-	-	-	-	-	-	-	-	-
		17	-	-	-	-	-	-	-	-	-	-	-	-	-	-	-	-	-	-	-	-	-	-	-	-	-
		19	-	-	-	-	-	-	-	-	-	-	-	-	-	-	-	-	-	-	-	-	-	-	-	-	-
		21	-	-	-	-	-	-	-	-	2,23	2,23	380	2,36	2,97	2,97	510	3,15	4,47	4,47	770	5,01	5,10	5,10	880	7,63	
		23	-	-	-	-	-	-	-	-	4,77	2,56	1580	7,15	4,35	3,40	1580	5,07	4,60	4,35	1580	5,05	5,28	4,88	1580	8,88	
	7	15	-	-	-	-	-	-	-	-	-	-	-	-	-	-	-	-	-	-	-	-	-	-	-	-	-
		17	-	-	-	-	-	-	-	-	-	-	-	-	-	-	-	-	-	-	-	-	-	-	-	-	-
		19	-	-	-	-	-	-	-	-	-	-	-	-	-	-	-	-	-	-	-	-	-	-	-	-	-
		21	-	-	-	-	-	-	-	-	-	-	-	-	-	-	-	-	-	-	-	-	-	-	-	-	-
		23	-	-	-	-	-	-	-	-	-	-	-	-	-	-	-	-	-	-	-	-	-	-	-	-	-

EWT = Exchanger water inlet temperature (°C)
 ΔT = Temperature differential (°C)
 Ta = Ambient temperature (°C)
 D.B. = Dry bulb
 W.B. = Wet bulb

TC = Total cooling capacity (kW)
 SC = Sensible cooling capacity (kW)
 WF = Water flow-rate (l/h)
 WDP = Exchanger pressure drops (kPa)

Heating performance

CC4 - 4-pipe system

007.0																
EWT	ΔT	Ta (D.B.)														
		16			18			20			22			24		
		TH	WF	WDP	TH	WF	WDP	TH	WF	WDP	TH	WF	WDP	TH	WF	WDP
[°C]	[°C]	[kW]	[l/h]	[kPa]	[kW]	[l/h]	[kPa]	[kW]	[l/h]	[kPa]	[kW]	[l/h]	[kPa]	[kW]	[l/h]	[kPa]
35	5	1,91	330	15,09	1,66	290	11,79	1,40	240	8,86	1,15	200	6,30	0,90	160	4,12
	10	1,43	120	2,82	1,16	100	1,98	0,88	80	1,24	0,52	420	0,33	0,41	420	0,30
	15	0,77	420	0,37	0,61	420	0,32	-	-	-	-	-	-	-	-	-
40	5	2,53	440	24,20	2,28	400	20,11	2,03	350	16,38	1,78	310	13,01	1,53	260	9,99
	10	2,08	180	5,21	1,82	160	4,15	1,56	140	3,19	1,30	110	2,34	1,03	90	1,58
	15	1,55	90	1,61	1,26	70	1,13	0,94	50	0,53	0,68	420	0,30	0,61	420	0,29
45	5	3,16	550	34,90	2,90	500	30,08	2,65	460	25,60	2,40	420	21,47	2,14	370	17,68
	10	2,72	240	8,07	2,46	210	6,80	2,20	190	5,63	1,95	170	4,55	1,69	150	3,57
	15	2,24	130	2,91	1,97	110	2,35	1,70	100	1,83	1,43	80	1,36	1,14	70	0,92
50	5	3,78	660	47,07	3,52	610	41,56	3,27	570	36,37	3,01	520	31,53	2,76	480	27,01
	10	3,35	290	11,36	3,09	270	9,88	2,84	250	8,51	2,58	220	7,22	2,33	200	6,04
	15	2,89	170	4,42	2,63	150	3,75	2,37	140	3,14	2,11	120	2,57	1,84	110	2,05
55	5	4,40	770	60,61	4,14	720	54,43	3,88	680	48,57	3,63	630	43,05	3,37	590	37,85
	10	3,98	350	15,04	3,72	320	13,37	3,46	300	11,80	3,21	280	10,32	2,95	260	8,94
	15	3,53	200	6,11	3,28	190	5,35	3,02	170	4,64	2,76	160	3,98	2,50	140	3,36
60	5	5,02	880	75,45	4,76	830	68,63	4,50	790	62,12	4,24	740	55,95	3,99	700	50,10
	10	4,60	400	19,09	4,34	380	17,24	4,08	360	15,48	3,83	330	13,81	3,57	310	12,24
	15	4,17	240	7,98	3,91	230	7,13	3,65	210	6,33	3,39	200	5,58	3,14	180	4,87
65	5	5,64	990	91,57	5,38	940	84,11	5,12	900	76,97	4,86	850	70,16	4,60	810	63,67
	10	5,23	460	23,50	4,97	430	21,47	4,74	420	23,50	4,45	390	17,68	4,19	370	15,93
	15	4,80	280	10,02	4,54	260	9,09	4,28	250	8,20	4,02	230	7,36	3,77	220	6,56
70	5	6,26	1100	108,85	6,00	1050	100,77	5,73	1010	93,01	5,47	960	85,58	5,22	910	78,47
	10	5,85	510	28,25	5,59	490	26,04	5,35	480	29,80	5,07	440	21,90	4,81	420	19,97
	15	5,43	320	12,22	5,17	300	11,20	4,91	290	10,23	4,65	270	9,30	4,39	260	8,42

EWT = Exchanger water inlet temperature (°C)
 ΔT = Temperature differential (°C)
 Ta = Ambient temperature (°C)
 D.B. = Dry bulb

TH = Total heating capacity (kW)
 WF = Water flow-rate (l/h)
 WDP = Exchanger pressure drops (kPa)

011.0																
EWT	ΔT	Ta (D.B.)														
		16			18			20			22			24		
		TH	WF	WDP	TH	WF	WDP	TH	WF	WDP	TH	WF	WDP	TH	WF	WDP
[°C]	[°C]	[kW]	[l/h]	[kPa]	[kW]	[l/h]	[kPa]	[kW]	[l/h]	[kPa]	[kW]	[l/h]	[kPa]	[kW]	[l/h]	[kPa]
35	5	2,29	400	17,89	1,98	340	13,96	1,68	290	10,47	1,38	240	7,42	1,07	190	4,83
	10	1,68	150	3,25	1,36	120	2,26	1,01	90	1,37	0,63	60	0,41	0,54	560	0,41
	15	0,90	560	0,43	0,81	560	0,43	-	-	-	-	-	-	-	-	-
40	5	3,04	530	28,82	2,74	470	23,95	2,43	420	19,50	2,13	370	15,47	1,83	320	11,87
	10	2,47	210	6,11	2,16	190	4,85	1,85	160	3,72	1,54	130	2,70	1,21	100	1,81
	15	1,81	100	1,83	1,46	80	1,25	1,03	60	0,49	0,89	560	0,42	0,80	560	0,42
45	5	3,80	660	41,67	3,49	610	35,93	3,18	550	30,60	2,88	500	25,66	2,58	450	21,13
	10	3,25	280	9,53	2,94	250	8,02	2,63	230	6,63	2,32	200	5,35	2,02	170	4,19
	15	2,64	150	3,38	2,33	130	2,72	2,00	120	2,11	1,67	100	1,55	1,31	80	1,02
50	5	4,55	790	56,31	4,24	740	49,74	3,93	680	43,57	3,63	630	37,78	3,33	580	32,39
	10	4,01	350	13,47	3,70	320	11,72	3,40	290	10,08	3,09	270	8,56	2,78	240	7,15
	15	3,44	200	5,18	3,13	180	4,40	2,81	160	3,67	2,50	140	2,99	2,18	130	2,38
55	5	5,30	920	72,62	4,99	870	65,27	4,68	820	58,28	4,38	760	51,69	4,07	710	45,48
	10	4,77	410	17,89	4,46	390	15,91	4,16	360	14,04	3,85	330	12,28	3,54	310	10,63
	15	4,22	240	7,20	3,91	230	6,31	3,60	210	5,47	3,29	190	4,68	2,98	170	3,95
60	5	6,05	1060	90,51	5,74	1000	82,39	5,43	950	74,65	5,12	890	67,28	4,82	840	60,28
	10	5,53	480	22,76	5,22	450	20,56	4,91	430	18,47	4,60	400	16,49	4,30	370	14,62
	15	4,99	290	9,44	4,68	270	8,44	4,37	250	7,50	4,06	240	6,60	3,75	220	5,76
65	5	6,80	1190	109,93	6,49	1140	101,07	6,18	1080	92,58	5,87	1030	84,46	5,56	970	76,71
	10	6,28	550	28,06	5,97	520	25,65	5,52	360	24,14	5,36	470	21,15	5,05	440	19,06
	15	5,76	330	11,89	5,45	320	10,79	5,14	300	9,74	4,83	280	8,74	4,52	260	7,79
70	5	7,55	1320	130,75	7,24	1270	121,17	6,93	1210	111,96	6,62	1160	103,11	6,31	1110	94,63
	10	7,04	620	33,77	6,73	590	31,16	6,48	360	30,36	6,11	530	26,24	5,80	510	23,94
	15	6,52	380	14,54	6,21	360	13,34	5,90	340	12,19	5,59	320	11,09	5,28	310	10,03

EWT = Exchanger water inlet temperature (°C)
 ΔT = Temperature differential (°C)
 Ta = Ambient temperature (°C)
 D.B. = Dry bulb

TH = Total heating capacity (kW)
 WF = Water flow-rate (l/h)
 WDP = Exchanger pressure drops (kPa)

Heating performance

CC4 - 4-pipe system

015.0																
EWT	ΔT	Ta (D.B.)														
		16			18			20			22			24		
		TH	WF	WDP	TH	WF	WDP	TH	WF	WDP	TH	WF	WDP	TH	WF	WDP
[°C]	[°C]	[kW]	[l/h]	[kPa]	[kW]	[l/h]	[kPa]	[kW]	[l/h]	[kPa]	[kW]	[l/h]	[kPa]	[kW]	[l/h]	[kPa]
35	5	2,24	390	25,54	1,94	340	19,93	1,64	280	14,95	1,35	230	10,59	1,04	180	6,87
	10	1,63	140	4,60	1,31	110	3,17	0,96	80	1,71	0,58	50	0,61	0,50	540	0,60
	15	0,84	540	0,65	0,76	540	0,64	-	-	-	-	-	-	-	-	-
40	5	2,98	520	41,14	2,68	470	34,20	2,39	410	27,85	2,09	360	22,10	1,79	310	16,95
	10	2,42	210	8,70	2,11	180	6,91	1,80	160	5,28	1,49	130	3,83	1,17	100	2,54
	15	1,74	100	2,54	1,38	80	1,54	0,91	540	0,60	0,83	540	0,59	0,74	540	0,58
45	5	3,73	650	59,46	3,42	590	51,29	3,13	540	43,68	2,83	490	36,65	2,53	440	30,18
	10	3,18	280	13,60	2,88	250	11,44	2,57	220	9,45	2,27	200	7,63	1,97	170	5,97
	15	2,58	150	4,80	2,26	130	3,85	1,94	110	2,97	1,61	90	2,16	1,25	70	1,25
50	5	4,47	780	80,30	4,16	720	70,96	3,86	670	62,17	3,56	620	53,93	3,27	570	46,25
	10	3,93	340	19,23	3,63	320	16,73	3,33	290	14,40	3,03	260	12,22	2,73	240	10,20
	15	3,36	190	7,38	3,06	180	6,26	2,75	160	5,22	2,44	140	4,26	2,12	120	3,37
55	5	5,20	910	103,52	4,90	850	93,06	4,60	800	83,14	4,30	750	73,76	4,00	700	64,91
	10	4,68	410	25,53	4,38	380	22,71	4,08	350	20,05	3,77	330	17,54	3,47	300	15,19
	15	4,13	240	10,27	3,83	220	9,00	3,52	200	7,80	3,22	190	6,67	2,91	170	5,63
60	5	5,94	1040	128,98	5,64	980	117,44	5,33	930	106,43	5,03	880	95,95	4,73	830	86,00
	10	5,43	470	32,48	5,12	450	29,35	4,82	420	26,37	4,52	390	23,55	4,22	370	20,88
	15	4,89	280	13,48	4,59	270	12,05	4,28	250	10,70	3,98	230	9,42	3,68	210	8,22
65	5	6,68	1170	156,63	6,38	1120	144,04	6,07	1060	131,97	5,77	1010	120,42	5,46	960	109,40
	10	6,17	540	40,03	5,86	510	36,61	5,97	390	26,80	5,26	460	30,20	4,96	430	27,22
	15	5,65	330	16,97	5,34	310	15,40	5,04	290	13,90	4,73	270	12,48	4,43	260	11,12
70	5	7,42	1300	186,24	7,11	1250	172,64	6,80	1190	159,56	6,50	1140	146,98	6,20	1090	134,92
	10	6,91	600	48,16	6,60	580	44,45	6,90	390	36,10	5,99	520	37,46	5,69	500	34,19
	15	6,40	370	20,74	6,09	350	19,03	5,78	340	17,40	5,48	320	15,83	5,18	300	14,33

EWT = Exchanger water inlet temperature (°C)
 ΔT = Temperature differential (°C)
 Ta = Ambient temperature (°C)
 D.B. = Dry bulb

TH = Total heating capacity (kW)
 WF = Water flow-rate (l/h)
 WDP = Exchanger pressure drops (kPa)

021.0																
EWT	ΔT	Ta (D.B.)														
		16			18			20			22			24		
		TH	WF	WDP	TH	WF	WDP	TH	WF	WDP	TH	WF	WDP	TH	WF	WDP
[°C]	[°C]	[kW]	[l/h]	[kPa]	[kW]	[l/h]	[kPa]	[kW]	[l/h]	[kPa]	[kW]	[l/h]	[kPa]	[kW]	[l/h]	[kPa]
35	5	3,12	540	15,38	2,69	470	11,94	2,26	390	8,87	1,83	320	6,19	1,40	240	3,90
	10	2,08	180	2,34	1,50	130	0,90	1,02	100	0,62	0,89	990	0,62	0,76	990	0,61
	15	1,30	100	0,65	1,16	990	0,63	-	-	-	-	-	-	-	-	-
40	5	4,19	730	25,03	3,76	650	20,78	3,34	580	16,88	2,91	500	13,34	2,49	430	10,17
	10	3,27	280	5,03	2,83	240	3,93	2,38	210	2,93	1,90	160	1,97	1,26	990	0,64
	15	1,67	990	0,60	1,55	100	0,60	1,42	990	0,59	1,28	990	0,58	1,14	990	0,57
45	5	5,26	910	36,38	4,83	840	31,36	4,40	760	26,69	3,98	690	22,37	3,55	620	18,39
	10	4,39	380	8,09	3,95	340	6,77	3,52	300	5,55	3,08	270	4,43	2,64	230	3,41
	15	3,38	200	2,65	2,91	170	2,03	2,40	140	1,27	1,68	990	0,55	1,55	990	0,55
50	5	6,32	1100	49,27	5,89	1020	43,55	5,46	950	38,16	5,04	880	33,09	4,61	800	28,36
	10	5,48	480	11,58	5,05	440	10,06	4,62	400	8,63	4,19	360	7,29	3,76	330	6,06
	15	4,56	260	4,28	4,12	240	3,60	3,67	210	2,96	3,22	190	2,37	2,75	160	1,80
55	5	7,38	1290	63,62	6,95	1210	57,22	6,52	1140	51,14	6,10	1060	45,38	5,67	990	39,95
	10	6,56	570	15,49	6,13	530	13,77	5,70	500	12,14	5,27	460	10,60	4,84	420	9,16
	15	5,69	330	6,09	5,25	300	5,31	4,82	280	4,58	4,38	250	3,89	3,94	230	3,25
60	5	8,45	1470	79,34	8,01	1400	72,29	7,58	1320	65,56	7,15	1250	59,13	6,73	1170	53,03
	10	7,63	660	19,79	7,20	630	17,88	6,77	590	16,06	6,34	550	14,33	5,92	520	12,69
	15	6,79	390	8,08	6,36	370	7,21	5,93	340	6,39	5,49	320	5,61	5,06	290	4,87
65	5	9,51	1660	96,39	9,07	1590	88,72	8,64	1510	81,35	8,21	1440	74,28	7,78	1360	67,53
	10	8,71	760	24,46	8,27	720	22,37	7,38	610	25,30	7,41	650	18,46	6,98	610	16,63
	15	7,89	460	10,25	7,45	430	9,29	7,02	410	8,38	6,59	380	7,51	6,16	360	6,68
70	5	10,57	1850	114,65	10,13	1780	106,37	9,70	1700	98,39	9,27	1620	90,71	8,83	1550	83,33
	10	9,77	850	29,48	9,34	820	27,22	7,66	610	37,20	8,48	740	22,96	8,05	700	20,95
	15	8,97	520	12,58	8,54	500	11,54	8,10	470	10,54	7,67	450	9,59	7,24	420	8,67

EWT = Exchanger water inlet temperature (°C)
 ΔT = Temperature differential (°C)
 Ta = Ambient temperature (°C)
 D.B. = Dry bulb

TH = Total heating capacity (kW)
 WF = Water flow-rate (l/h)
 WDP = Exchanger pressure drops (kPa)

Heating performance

CC4 - 4-pipe system

031.0																
EWT	ΔT	Ta (D.B.)														
		16			18			20			22			24		
		TH	WF	WDP	TH	WF	WDP	TH	WF	WDP	TH	WF	WDP	TH	WF	WDP
[°C]	[°C]	[kW]	[l/h]	[kPa]	[kW]	[l/h]	[kPa]	[kW]	[l/h]	[kPa]	[kW]	[l/h]	[kPa]	[kW]	[l/h]	[kPa]
35	5	4,44	770	35,88	3,83	660	27,79	3,21	560	20,59	2,59	450	14,30	1,96	340	8,91
	10	2,87	250	4,87	1,79	1570	1,69	1,59	160	1,68	1,38	1570	1,65	1,18	1570	1,63
	15	2,00	1570	1,72	1,80	1570	1,70	-	-	-	-	-	-	-	-	-
40	5	5,99	1040	58,64	5,37	930	48,63	4,76	830	39,46	4,15	720	31,14	3,54	610	23,69
	10	4,62	400	11,59	3,98	340	9,01	3,33	290	6,64	2,63	230	4,14	1,77	1570	1,54
	15	2,60	1570	1,62	2,41	1570	1,62	2,19	1570	1,58	1,98	1570	1,56	1,77	1570	1,54
45	5	7,52	1310	85,38	6,91	1200	73,59	6,29	1090	62,60	5,68	990	52,42	5,08	880	43,05
	10	6,23	540	18,79	5,61	490	15,70	4,99	430	12,84	4,36	380	10,22	3,73	320	7,83
	15	4,74	270	5,99	4,04	230	4,41	3,26	190	2,40	2,60	160	1,53	2,41	1570	1,54
50	5	9,05	1570	115,79	8,44	1470	102,31	7,82	1360	89,61	7,21	1250	77,70	6,60	1150	66,57
	10	7,81	680	27,02	7,19	620	23,44	6,57	570	20,09	5,96	520	16,96	5,34	460	14,06
	15	6,46	370	9,87	5,82	340	8,27	5,17	300	6,77	4,51	260	5,37	3,82	220	3,98
55	5	10,58	1840	149,63	9,96	1740	134,56	9,35	1630	120,24	8,73	1520	106,68	8,12	1410	93,88
	10	9,37	810	36,23	8,75	760	32,19	8,13	710	28,36	7,52	650	24,75	6,90	600	21,37
	15	8,09	470	14,13	7,46	430	12,31	6,83	400	10,60	6,20	360	8,99	5,57	320	7,48
60	5	12,11	2110	186,72	11,49	2010	170,12	10,87	1900	154,25	10,25	1790	139,12	9,64	1680	124,73
	10	10,91	950	46,37	10,29	900	41,88	9,68	840	37,61	9,06	790	33,54	8,45	740	29,69
	15	9,68	560	18,82	9,06	520	16,79	8,43	490	14,85	7,81	450	13,02	7,19	420	11,30
65	5	13,64	2390	226,94	13,01	2280	208,86	12,39	2170	191,50	11,77	2060	174,86	11,15	1950	158,95
	10	12,45	1090	57,39	11,83	1030	52,48	11,70	960	42,40	10,60	920	43,27	9,98	870	38,98
	15	11,25	650	23,93	10,63	620	21,69	10,01	580	19,55	9,39	550	17,50	8,77	510	15,56
70	5	15,16	2660	270,00	14,54	2550	250,50	13,91	2440	231,70	13,29	2330	213,61	12,67	2220	196,23
	10	13,99	1220	69,24	13,37	1170	63,91	12,19	960	52,10	12,13	1060	53,88	11,51	1010	49,17
	15	12,81	750	29,44	12,19	710	27,00	11,57	670	24,65	10,95	640	22,41	10,33	600	20,26

EWT = Exchanger water inlet temperature (°C)
 ΔT = Temperature differential (°C)
 Ta = Ambient temperature (°C)

D.B. = Dry bulb
 TH = Total heating capacity (kW)
 WF = Water flow-rate (l/h)
 WDP = Exchanger pressure drops (kPa)

041.0																
EWT	ΔT	Ta (D.B.)														
		16			18			20			22			24		
		TH	WF	WDP	TH	WF	WDP	TH	WF	WDP	TH	WF	WDP	TH	WF	WDP
[°C]	[°C]	[kW]	[l/h]	[kPa]	[kW]	[l/h]	[kPa]	[kW]	[l/h]	[kPa]	[kW]	[l/h]	[kPa]	[kW]	[l/h]	[kPa]
35	5	4,62	800	42,68	3,99	690	33,08	3,35	580	24,54	2,71	470	17,08	2,05	360	10,69
	10	3,03	260	6,23	1,97	170	2,05	1,63	160	1,88	1,42	1580	1,85	1,21	1580	1,82
	15	2,05	1580	1,93	1,84	1580	1,90	-	-	-	-	-	-	-	-	-
40	5	6,23	1080	69,68	5,59	970	57,80	4,96	860	46,92	4,32	750	37,05	3,69	640	28,20
	10	4,83	420	13,86	4,17	360	10,80	3,49	300	8,01	2,78	240	5,26	1,81	160	1,72
	15	2,66	1580	1,81	2,47	160	1,81	2,27	1580	1,80	2,03	1580	1,75	1,82	1580	1,73
45	5	7,82	1360	101,41	7,18	1250	87,41	6,55	1140	74,37	5,91	1030	62,29	5,28	920	51,17
	10	6,50	560	22,38	5,85	510	18,72	5,21	450	15,33	4,56	390	12,21	3,90	340	9,37
	15	4,97	290	7,23	4,26	250	5,48	3,48	200	3,28	2,66	1580	1,71	2,47	1580	1,73
50	5	9,41	1640	137,50	8,77	1530	121,50	8,13	1410	106,43	7,50	1300	92,29	6,86	1190	79,08
	10	8,13	710	32,14	7,49	650	27,89	6,85	590	23,91	6,21	540	20,20	5,57	480	16,76
	15	6,75	390	11,79	6,08	350	9,89	5,41	310	8,12	4,73	270	6,47	4,02	230	4,89
55	5	11,00	1920	177,66	10,36	1800	159,78	9,72	1690	142,79	9,08	1580	126,69	8,44	1470	111,50
	10	9,74	850	43,07	9,10	790	38,27	8,46	740	33,73	7,83	680	29,44	7,19	620	25,42
	15	8,43	490	16,84	7,78	450	14,68	7,13	410	12,64	6,48	370	10,73	5,82	340	8,95
60	5	12,58	2200	221,69	11,94	2080	201,99	11,30	1970	183,16	10,66	1860	165,21	10,02	1750	148,13
	10	11,35	990	55,09	10,71	930	49,77	10,07	880	44,69	9,43	820	39,87	8,79	770	35,30
	15	10,08	580	22,40	9,43	550	19,98	8,79	510	17,69	8,14	470	15,52	7,50	430	13,47
65	5	14,17	2480	269,44	13,52	2370	247,98	12,88	2250	227,38	12,23	2140	207,64	11,59	2030	188,75
	10	12,95	1130	68,17	12,31	1070	62,34	12,29	990	48,70	11,02	960	51,42	10,38	910	46,32
	15	11,71	680	28,46	11,06	640	25,79	10,42	610	23,25	9,78	570	20,83	9,13	530	18,52
70	5	15,75	2760	320,59	15,10	2650	297,43	14,45	2530	275,12	13,81	2420	253,65	13,17	2310	233,02
	10	14,55	1270	82,23	13,90	1220	75,91	12,47	990	62,10	12,61	1100	64,01	11,97	1050	58,41
	15	13,33	780	34,99	12,68	740	32,09	12,04	700	29,31	11,39	660	26,64	10,75	630	24,09

EWT = Exchanger water inlet temperature (°C)
 ΔT = Temperature differential (°C)
 Ta = Ambient temperature (°C)
 D.B. = Dry bulb

TH = Total heating capacity (kW)
 WF = Water flow-rate (l/h)
 WDP = Exchanger pressure drops (kPa)

Accessories separately supplied

360PX - Air return and supply frame with supply at 360° (mandatory accessory)

Return grille, frame and diffusion wings adjustable at 360° in ABS synthetic material, white RAL 9003:

- Dimensions size 007.0÷015.0 = 647 x 647 x 50 mm
- Dimensions size 021.0÷041.0 = 950 x 950 x 45 mm



Mandatory accessory.



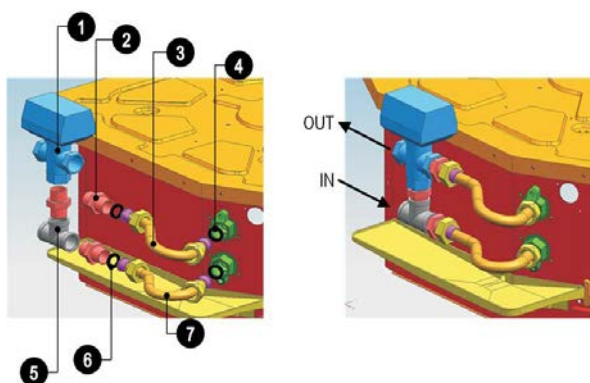
3V2X - Three-way valve kit for 2-pipe "on/off" system

Water flowrate control kit with on/off 3-way valve with thermoelectric actuator for 2-pipe installation.



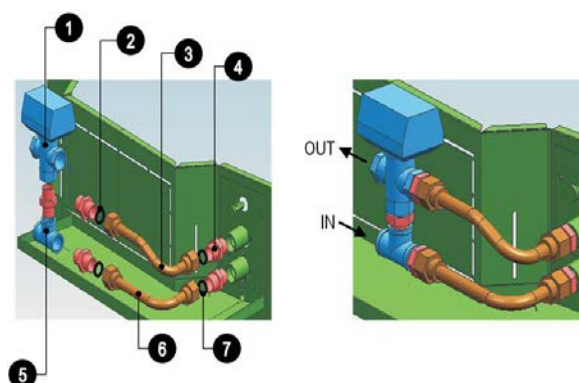
Max. operating pressure	16 bar
Max. room temperature	50°C
Max water temperature	75°C
Min water temperature	2°C
Power supply	230V - (50 - 60 Hz)
Absorption (after stabilisation)	4W
Opening time	< 3 min
Max % of glycol	50%
Kv (m ³ /h)	3.2

Size 007.0÷015.0



1. no.1 of 3-way solenoid valve G3/4"
2. no.3 of joints G3/4"
3. no.1 of water outlet connection pipe (diam. Ø16, connection G3/4")
4. no.2 of gaskets Ø23xØ15x2.5
5. no.1 of 3-way joint G3/4"
6. no.2 of gaskets Ø24xØ15x4
7. no.1 of water inlet connection (diam. Ø16, connection G3/4")

Size 021.0÷041.0



1. no.1 of 3-way solenoid valve G3/4"
2. no.2 of gaskets Ø24xØ15x4
3. no.1 of water outlet connection pipe (diam. Ø16, connection G3/4")
4. no.5 of joints G3/4"
5. no.1 of 3-way joint G3/4"
6. no.1 of water inlet connection (diam. Ø16, connection G3/4")
7. no.2 of gaskets Ø24xØ15x4

3V4X - Three-way valve kit for 4-pipe "on/off" system

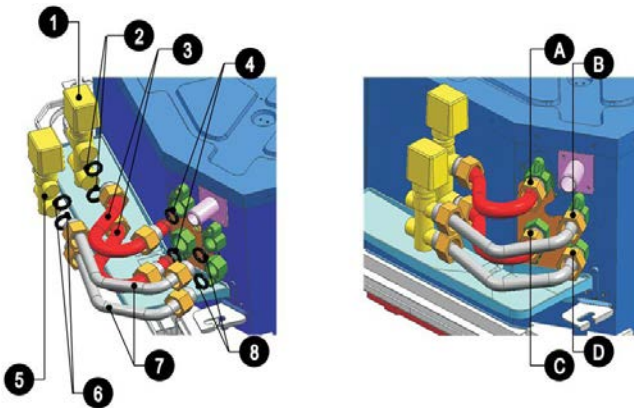
Water flowrate control kit with on/off 3-way valve with thermoelectric actuator for 4-pipe installation.



Max. operating pressure	16 bar
Max. room temperature	50°C
Max water temperature	110°C
Min water temperature	4°C
Power supply	230V - 24V (50 - 60 Hz)
Absorption (after stabilisation)	4W (230V) - 6W (24V)
Lockshield ip protection degree	IP44
Valve ip protection degree	IP54
Opening time	< 3 min
Max % of glycol	50%

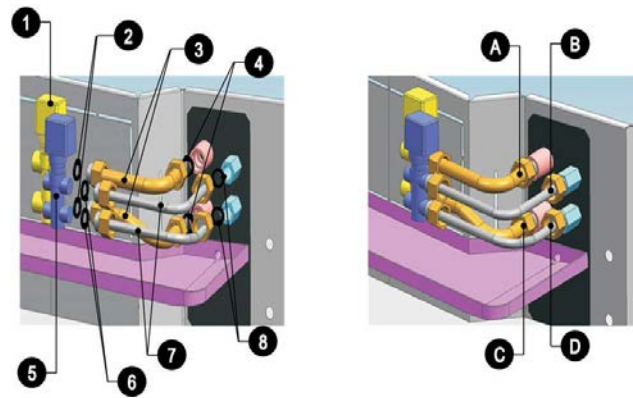


Size 007.0÷015.0



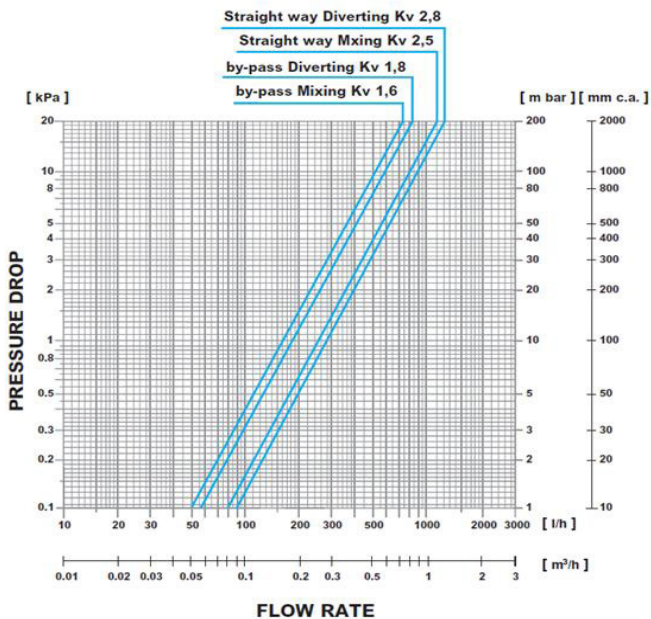
1. no.1 of 3-way valve G3/4" with actuator
2. no.2 of gaskets Ø16xØ24.5x2
3. no.2 of cold water connection pipes (diam. Ø19, connection G3/4")
4. no.2 of gaskets Ø19x2
5. no.1 of 3-way valve G1/2" with actuator
6. no.2 of gaskets Ø11xØ19x2
7. no.2 of hot water connection pipes (diam. Ø14, connection G1/2")
8. no.2 gaskets Ø13.8x1.8
- A. Cold water outlet
- B. Hot water outlet
- C. Cold water inlet
- D. Hot water inlet

Size 021.0÷041.0

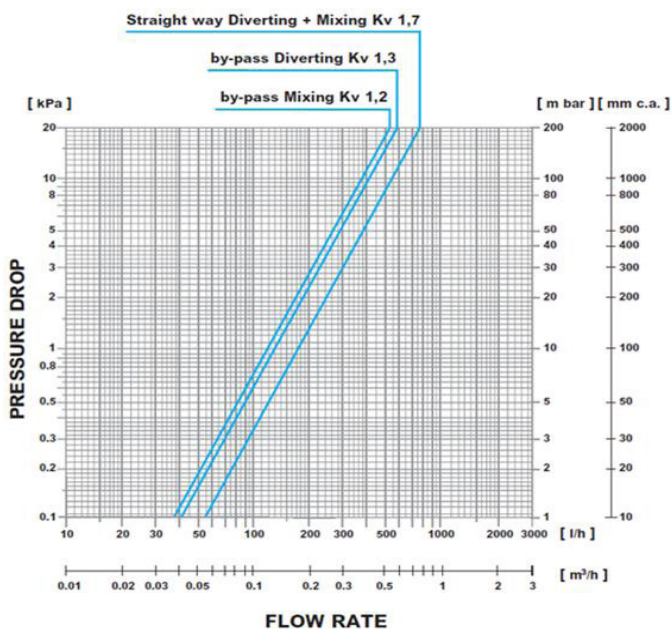


1. no.1 of 3-way valve G3/4" with actuator
2. no.2 of gaskets Ø11xØ19x2
3. no.2 of cold water connection pipes (diam. Ø19, connection G3/4")
4. no.2 of gaskets Ø19x2
5. no.1 of 3-way valve G1/2" with actuator
6. no.2 of gaskets Ø16xØ24.5x2
7. no.2 of hot water connection pipes (diam. Ø14, connection G1/2")
8. no.2 gaskets Ø13.8x1.8
- A. Cold water outlet
- B. Hot water outlet
- C. Cold water inlet
- D. Hot water inlet

Pressure drop - Cooling side 3-way valve (G3/4")



Pressure drop - Heating side 3-way valve (G1/2")



DTX - Auxiliary condensate collection tray

Valves condensate collection tray.



KJR90X - Electronic room control for wall installation

KJR90 LCD "touch-key" wall-mounted control.

Functions:

- On/Off
- Operation selection: Auto, Heating, Cooling, Dehumidification, Ventilation
- Temperature setting (temperature range selectable: 17~30°C)
- Set the fan speed (MIN - MED - MAX or AUTO)
- Timer setting
- Setting of deflectors position (swing)

Many additional functions such as:

- ECO mode
- Controller keypad lock
- Timed remainder air filter cleaning

The controller can be easily connected to the internal unit display by means of a connecting cable.

The control can be installed up to a max. distance of 15mt.



KJR150X - Indoor units' group controller

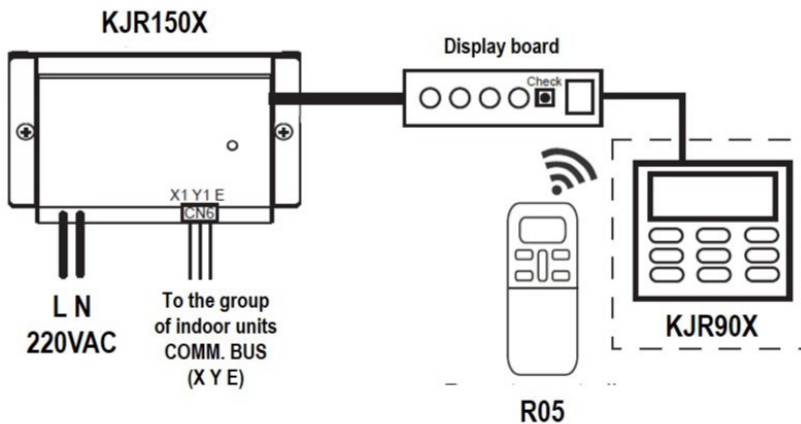
Allows the group control of up to 16 fancoil units from a single wall control KJR90X.

Each unit's operating parameters can also be individually controlled using its own remote controller R05.

Model	KJR150X
Dimensions (L×A×P) [mm]	85x150x70
Power supply	198-242V (50/60Hz)



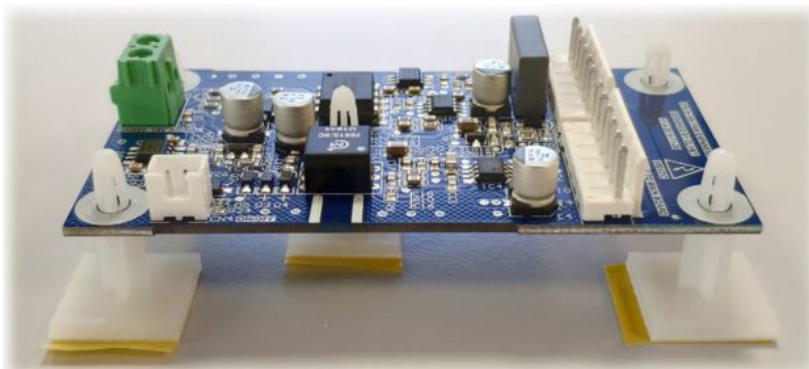
Installation schematic



0-10VX Accessory for the 0-10V input management

The accessory allows the management of an external 0-10V signal for adjusting the fan ventilation speed.

Management via external signal precludes the use of the remote control associated with the unit.



CCM30BX - Touch-key indoor units' centralized controller (with cover plate)



CCM30BX

The centralized controllers are multifunctional devices that can control up to 64 indoor units within a maximum connection length of 1.200m. These controls give the user the opportunity to control multiple units as a single group, or alternatively to assign an individual temperature for each one



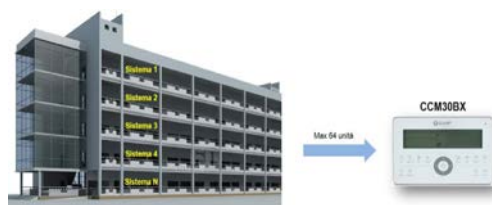
Single/unified control mode

Controllers can be toggled between unified and single control modes, to enable either unified control of all units or control of a specific unit. Operating mode feedback is used to ensure that all units are operating in the mode specified by the user.



Multi-system control

Controlled units can be from different VRF/Mini VRF systems, totally up to 64 indoor units: this allows a centralized control that facilitates the building management. Ensure that the address is not repeated for more units.



Fancoil units operating status display

Error and protection codes are shown directly on centralized controllers' displays, avoiding the need to access outdoor units' PCBs to obtain codes during a system event. A wide range of error and protection codes provide system status information to building management professionals before contacting a service engineer.

Error code or protection code

Connection status matrix

<p>Current Set. temp</p> <p>88# ALL Protect Error 88</p> <p>Online ON OFF</p> <hr/> <p>T2A T2B T3 Period Room. temp</p> <p>1 2 3 4 ON OFF 88:80</p> <hr/> <p>Week Sun Mon Tue Wed Thu Fri Sat</p> <p>88 Year 18 Mon 28 Day 28:88</p>	<p>Mode Auto</p> <p>❄️ ☀️</p> <p>🌀 🖱️</p> <p>🌀 🌬️</p>	<table border="1" style="width: 100%; border-collapse: collapse; text-align: center;"> <tr> <th colspan="2"></th> <th colspan="2">Query</th> <th colspan="2">Set</th> <th colspan="2">Opr. unsuccess</th> </tr> <tr> <th>00</th><th>01</th><th>02</th><th>03</th><th>04</th><th>05</th><th>06</th><th>07</th><th>08</th><th>09</th><th>10</th><th>11</th><th>12</th><th>13</th><th>14</th><th>15</th> </tr> <tr> <th>16</th><th>17</th><th>18</th><th>19</th><th>20</th><th>21</th><th>22</th><th>23</th><th>24</th><th>25</th><th>26</th><th>27</th><th>28</th><th>29</th><th>30</th><th>31</th> </tr> <tr> <th>32</th><th>33</th><th>34</th><th>35</th><th>36</th><th>37</th><th>38</th><th>39</th><th>40</th><th>41</th><th>42</th><th>43</th><th>44</th><th>45</th><th>46</th><th>47</th> </tr> <tr> <th>48</th><th>49</th><th>50</th><th>51</th><th>52</th><th>53</th><th>54</th><th>55</th><th>56</th><th>57</th><th>58</th><th>59</th><th>60</th><th>61</th><th>62</th><th>63</th> </tr> </table> <p>Weekly Timer Off </p>			Query		Set		Opr. unsuccess		00	01	02	03	04	05	06	07	08	09	10	11	12	13	14	15	16	17	18	19	20	21	22	23	24	25	26	27	28	29	30	31	32	33	34	35	36	37	38	39	40	41	42	43	44	45	46	47	48	49	50	51	52	53	54	55	56	57	58	59	60	61	62	63
		Query		Set		Opr. unsuccess																																																																				
00	01	02	03	04	05	06	07	08	09	10	11	12	13	14	15																																																											
16	17	18	19	20	21	22	23	24	25	26	27	28	29	30	31																																																											
32	33	34	35	36	37	38	39	40	41	42	43	44	45	46	47																																																											
48	49	50	51	52	53	54	55	56	57	58	59	60	61	62	63																																																											

Multiple lock modes

In addition to locking the centralized controller's own keyboard, the centralized controller may also be used to lock each unit's operating mode or remote controller.



Clean filter reminder

The CCM30BX record the total running time of each indoor unit. When the accumulated running time reaches the value pre-set by the user, the system reminds the user to clean the indoor unit's filter, ensuring that the airflow does not become obstructed.



Model	CCM30-B
Dimensions LxAxP (mm)	180x122x78
Power supply	198-242V (50/60Hz)

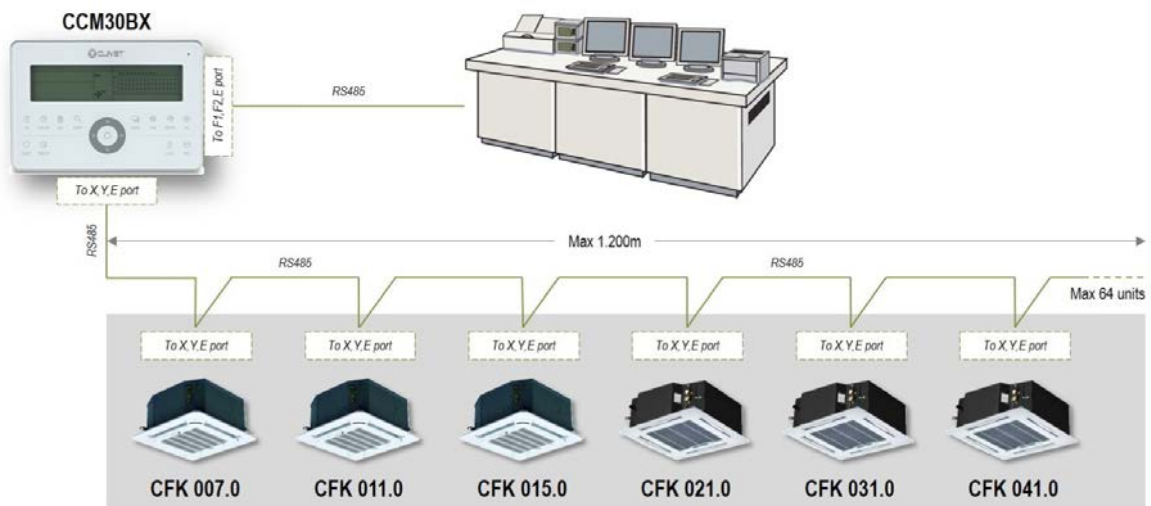
Main features:

- Setting On/Off
- Setting mode Cool/Heat/Auto/Dry/Fan
- Setting temperature
- Fan speed selection High/Medium/Low/Auto
- Air swing function
- 24h On/Off timer
- Locking the controller buttons
- Air filter cleaning reminder
- Turn On/Off the LCD backlight



Installation schematic

The centralized controller can connect up to 64 indoor units on the network monitoring and building management systems.



Connection to BMS systems

Monitoring and control can be integrated into Building Management Systems (BMS), enabling air conditioning to be monitored alongside lightning, power, fire detection, access and security systems. Full compatibility with the four main BMS protocols via gateway devices: BACnet, Modbus and LonWorks.

CCM08X - BACnet protocol

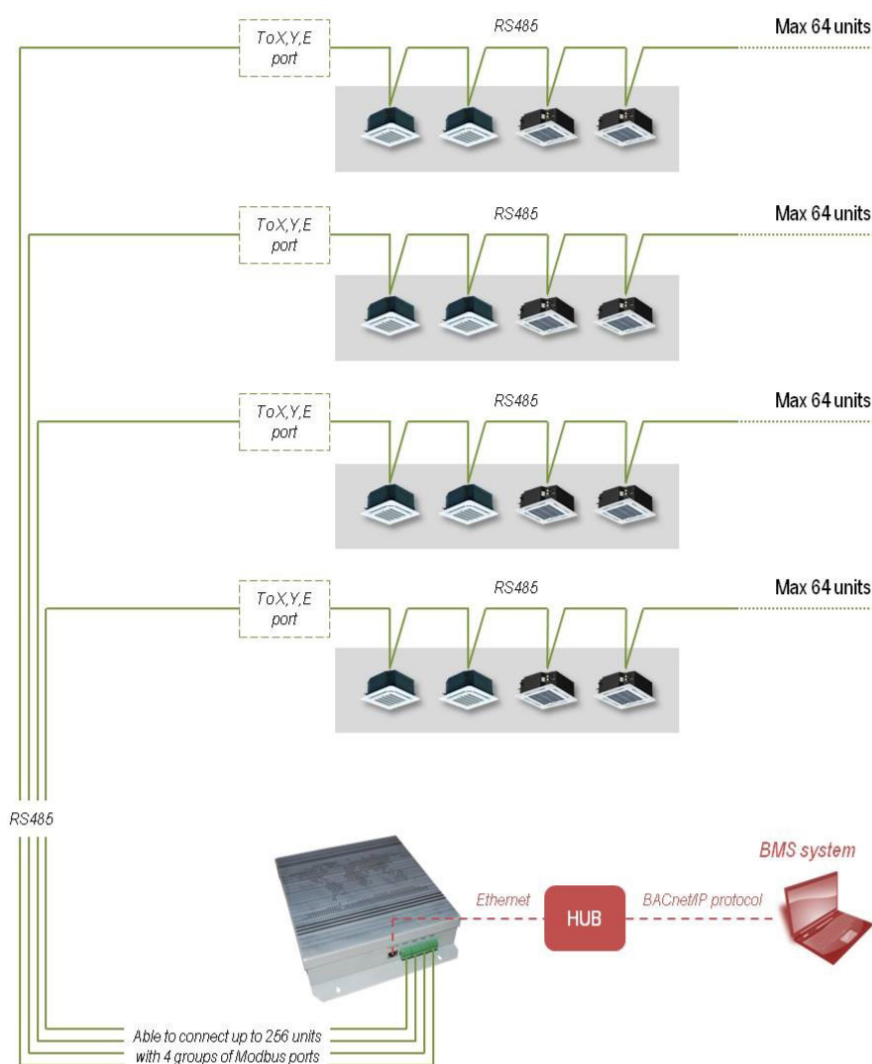
Each gateway can be connected to an fancoil unit's X,Y,E ports (up to 256 units), with built-in IP access.

It is also compatible with connections of up to four CCM30BX centralized controller through F1, F2, E ports.

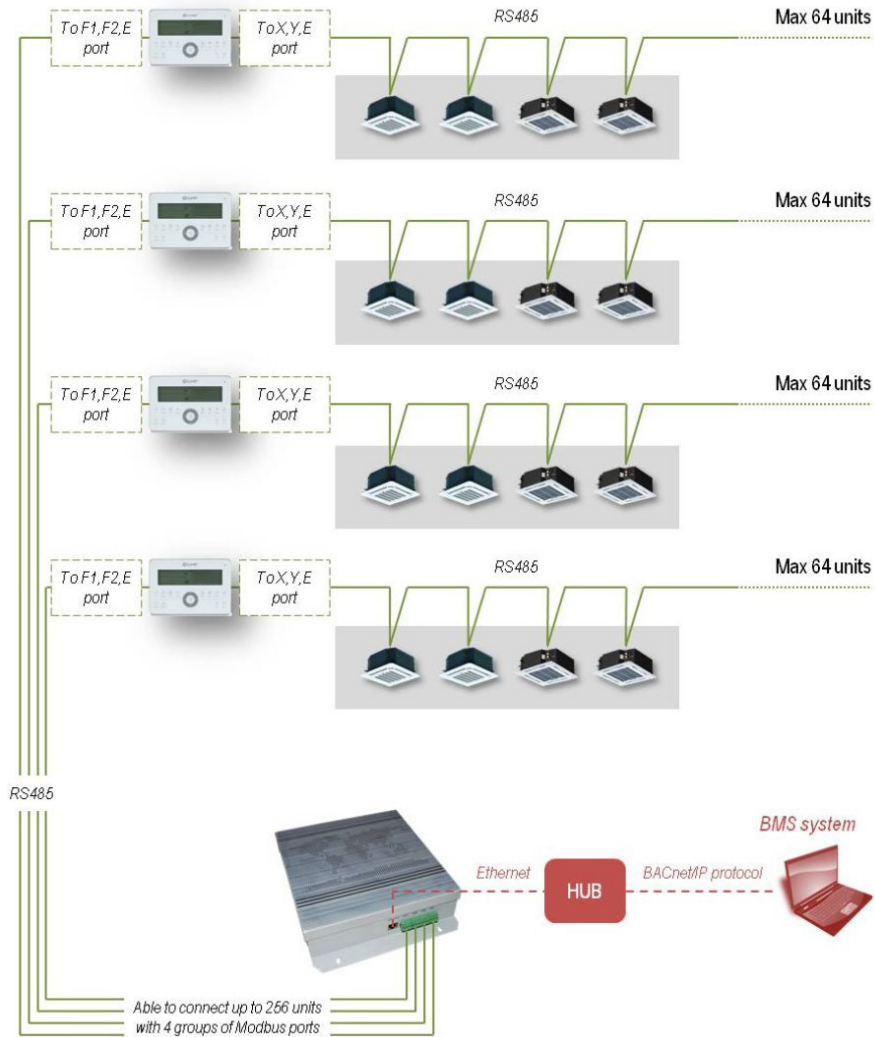


Model	CCM08X
Dimensions LxAxP (mm)	319x251x61
Power supply	AC 220V~50/60Hz

Installation schematic - Connecting to fancoil unit port X, Y, E








Installation schematic - Connection to CCM30BX centralized control



Wide compatibility

The CCM08X is fully compatible with a wide range of leading Building Management Systems

	Company	Software BMS	Brand
1	Apogee Electronics	APOGEE	
2	Trane	Tracer Summit	
3	Honeywell	Alerton	
4	Schneider	Andover	
5	Johnson	METASYS	

CCM18X - Modbus protocol for up to 64 fancoil units

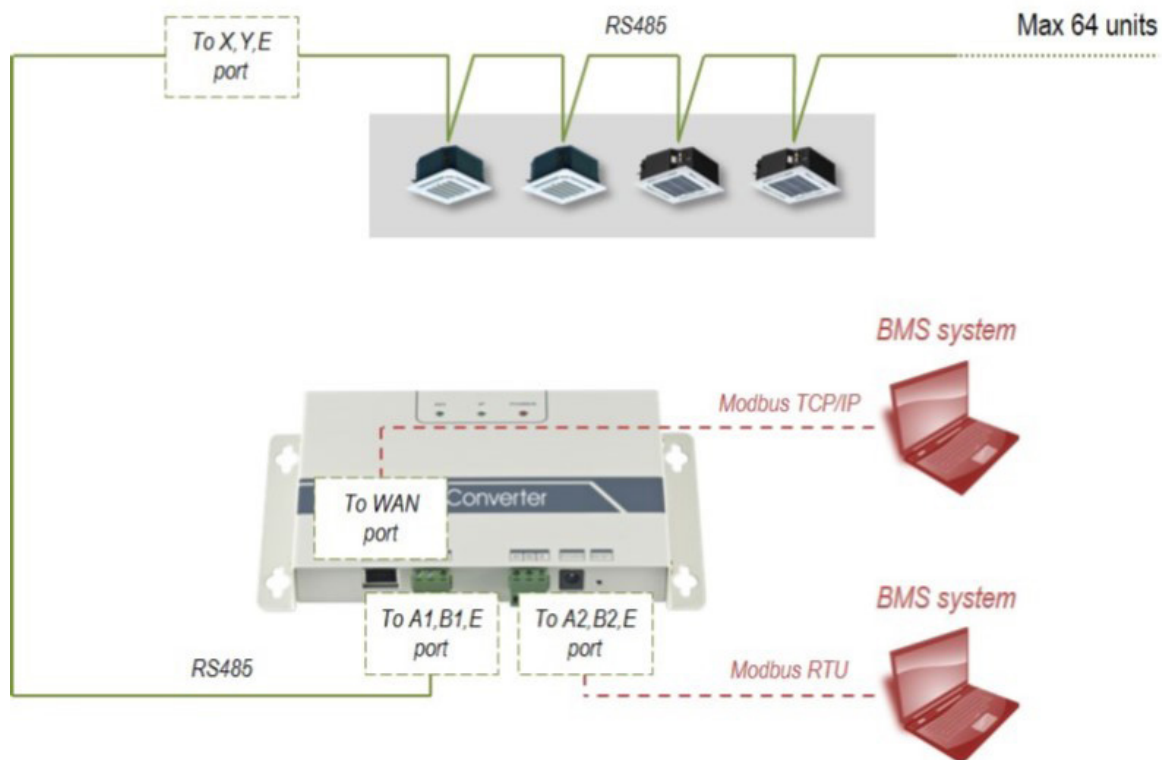
CCM18UX - Modbus protocol for up to 16 fancoil units

Each gateway can connect up to 16 indoor units (CCM18UX) or up to 64 indoor units and up to 4 outdoor units of the same system (CCM18X) with BMS through either TCP/IP or RTU. Built-in IP access.



Model	CCM18A / CCM18ANU
Dimensions LxAxP (mm)	319×251×61
Power supply	AC 220V~50/60Hz

Installation schematic - Connecting to fancoil unit port X, Y, E



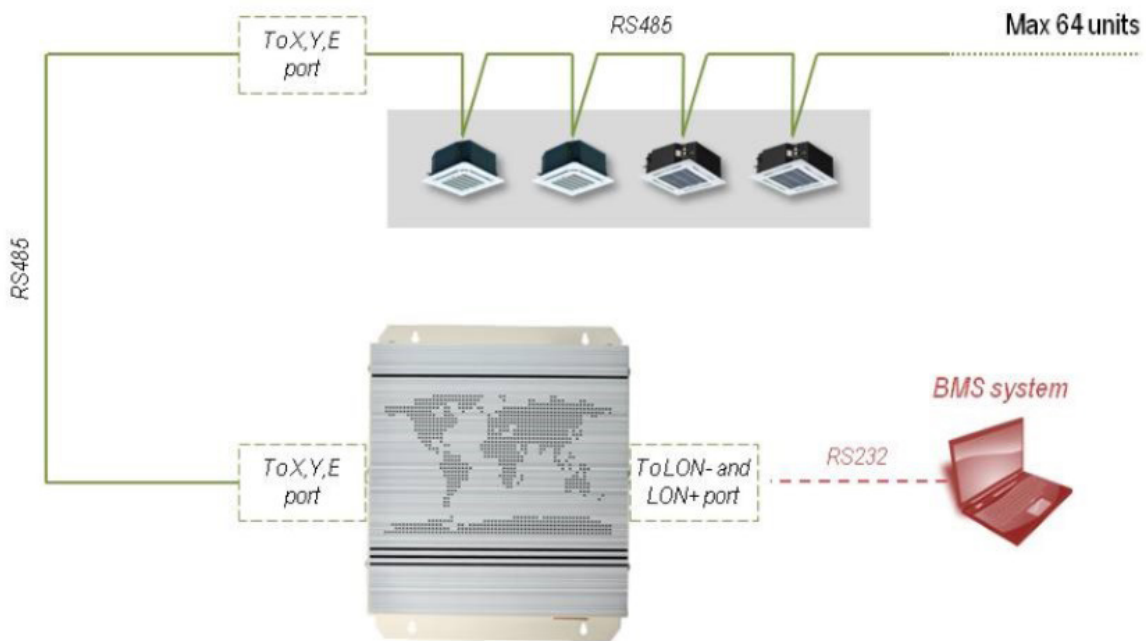
LONGWX - LowWorks protocol

Each gateway can connect up to 64 indoor units, directly to their XYE ports or through outdoor unit.

Model	LONGWX
Dimensions LxAxP (mm)	319x251x61
Power supply	AC 220V~50/60Hz

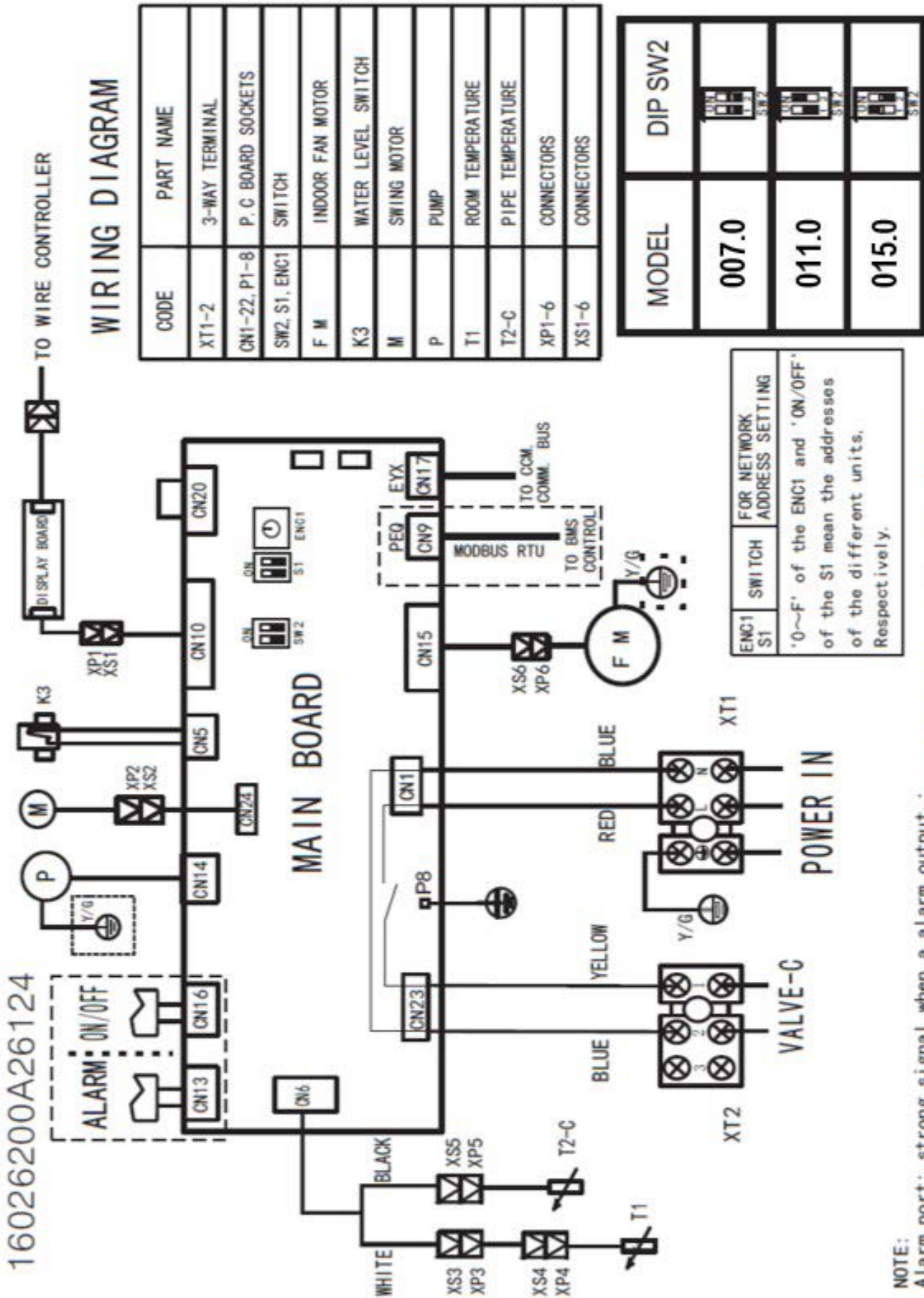


Installation schematic - Connecting to fancoil unit port X, Y, E



Wiring diagrams with XYE port (BUS communication)

CC2 - 2-pipe system (size 007.0, 011.0 and 015.0)

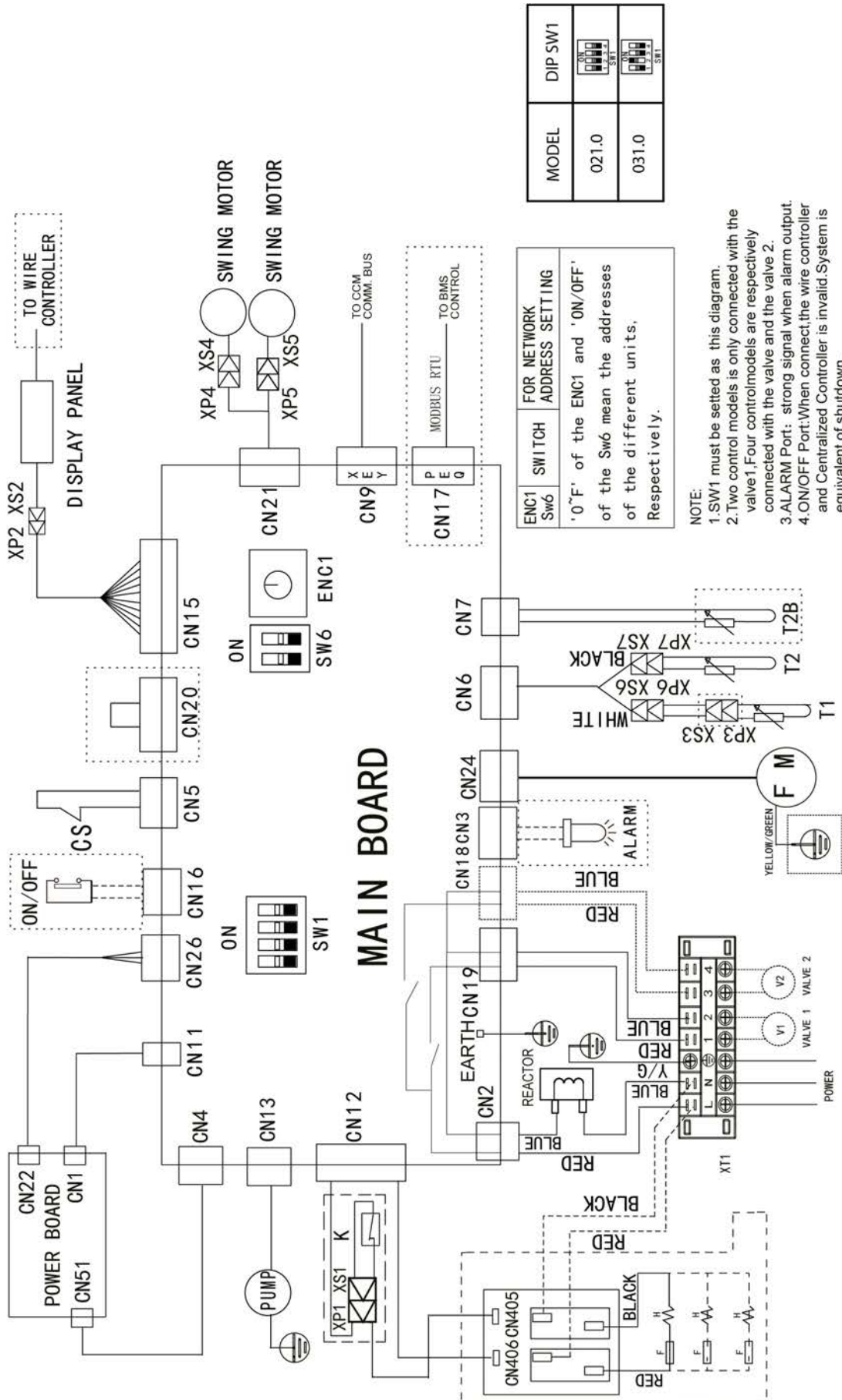


Wiring diagrams with XYE port (BUS communication)

CC2 - 2-pipe system (size 021.0 and 031.0)

CC4 - 4-pipe system (size 021.0)

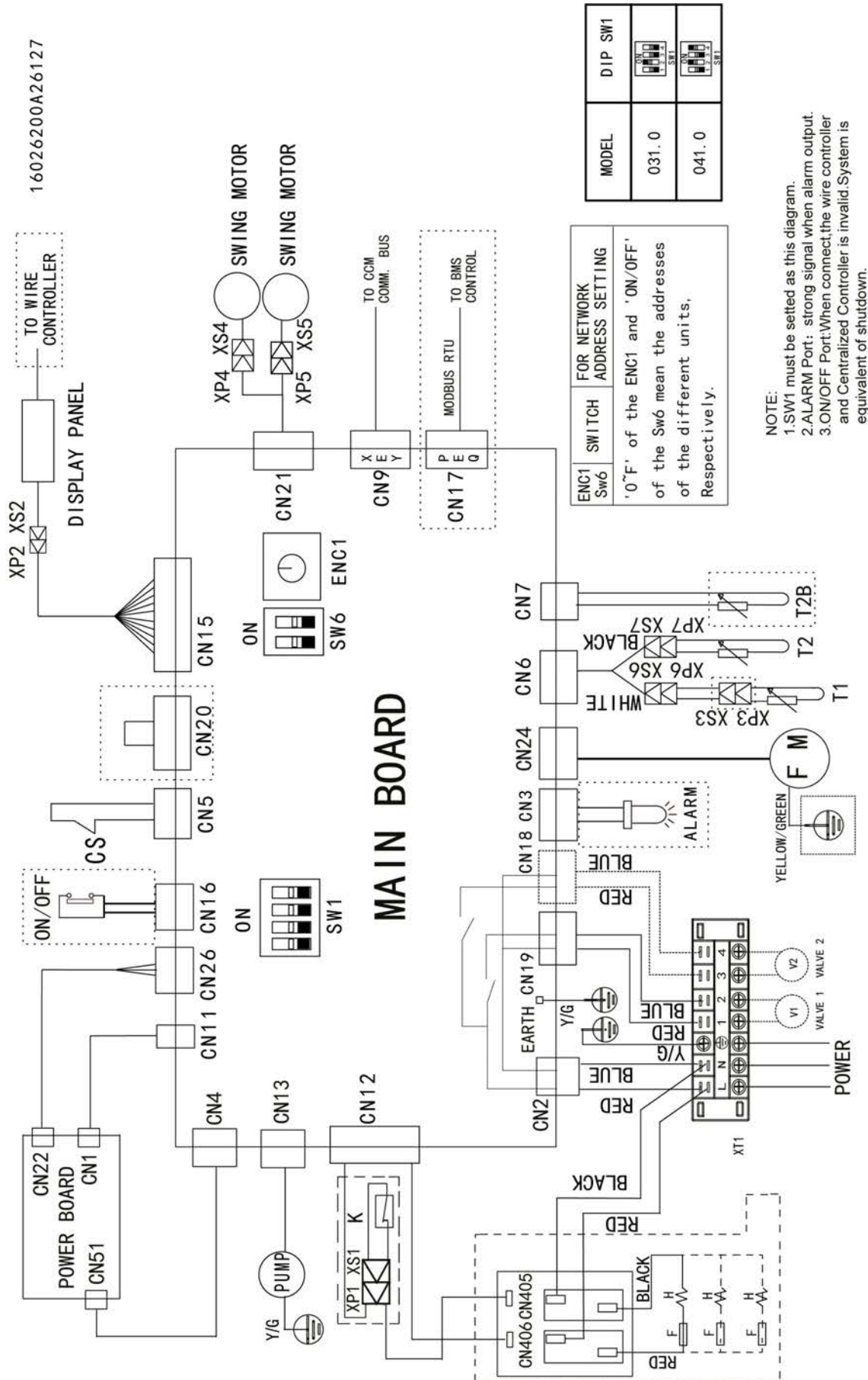
16026200A26126



Wiring diagrams with XYE port (BUS communication)

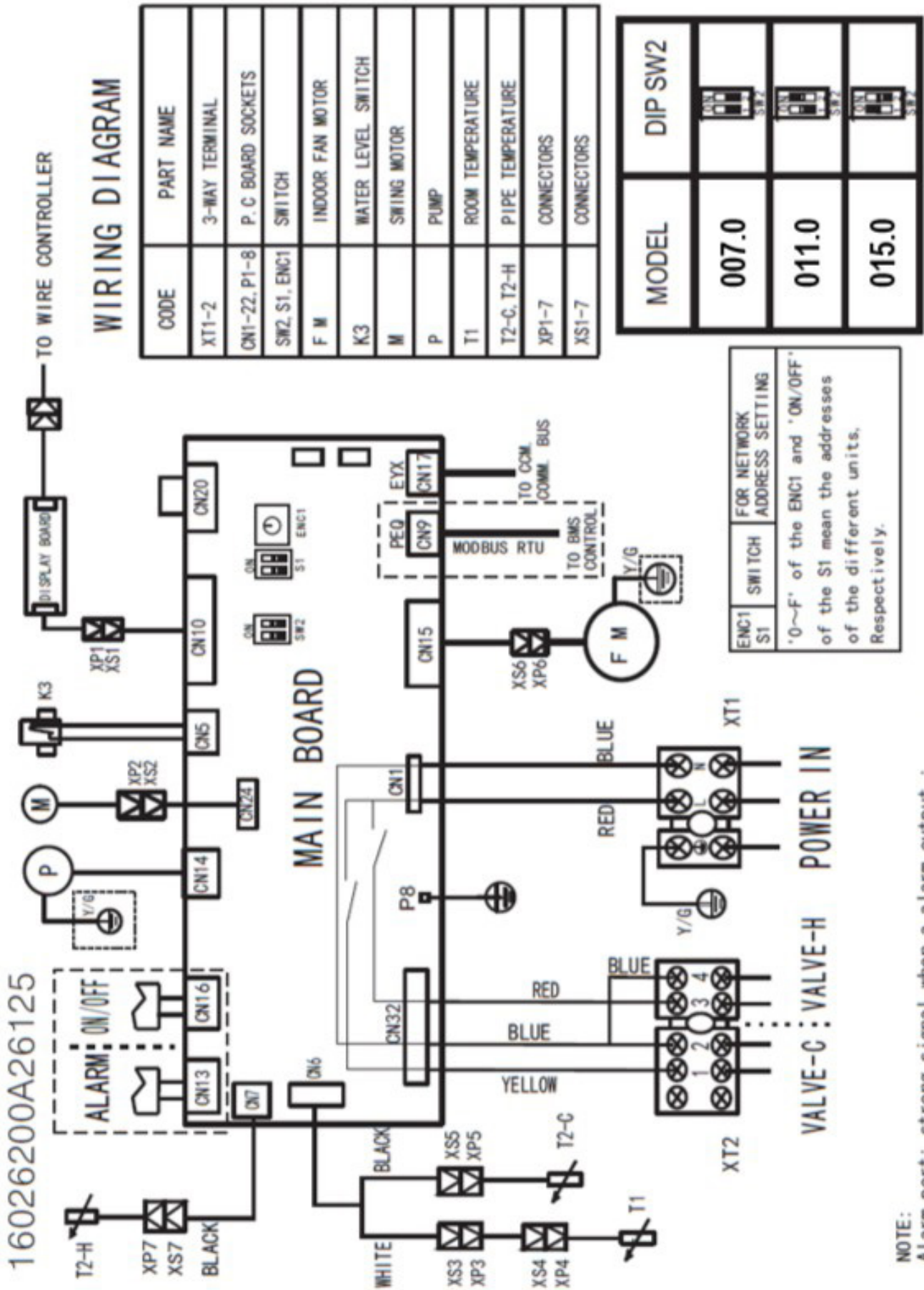
CC2 - 2-pipe system (size 041.0)

CC4 - 4-pipe system (size 031.0 and 041.0)



Wiring diagrams with XYE port (BUS communication)

CC4 - 4-pipe system (size 007.0, 011.0 and 015.0)

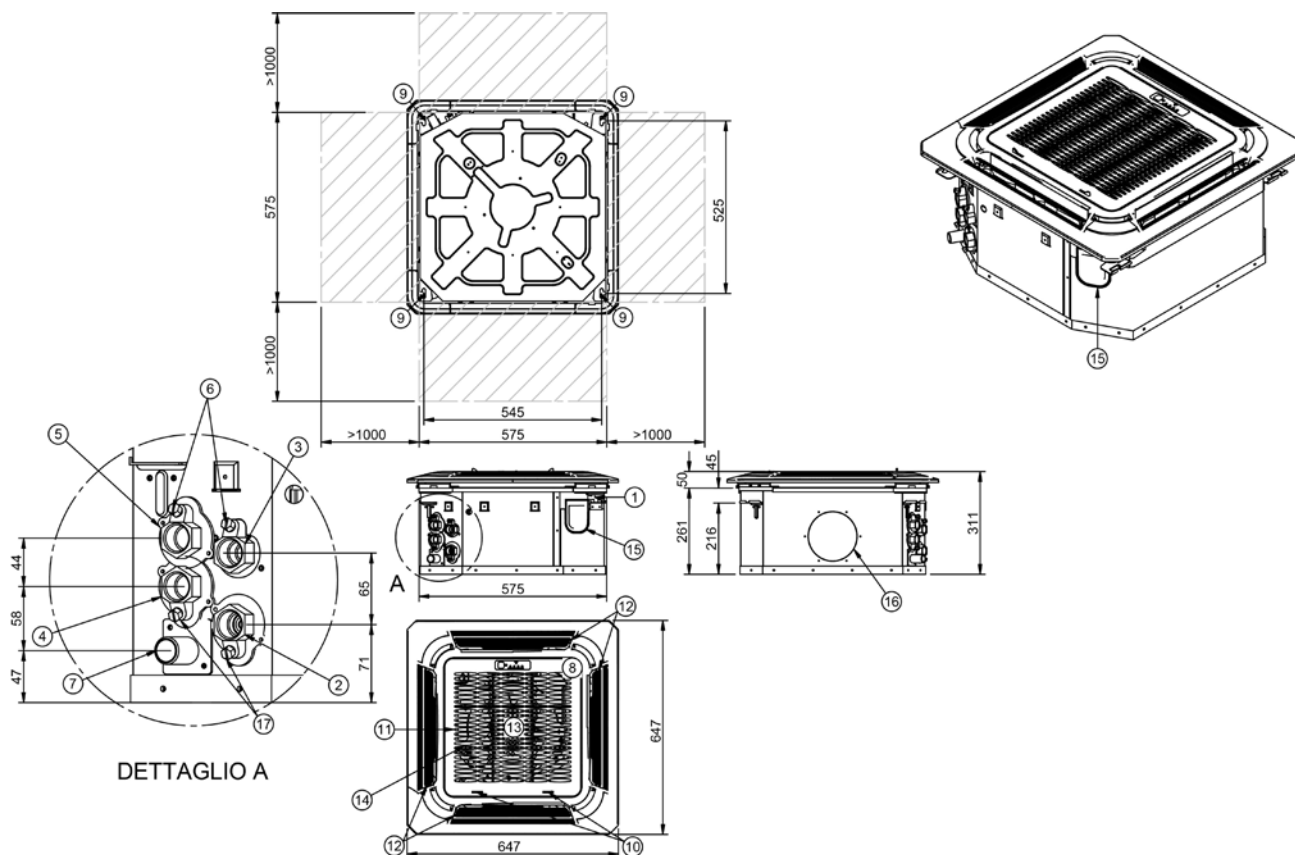


Dimensional drawings

CFK 007.0 ÷ 015.0 (CC2 - CC4)

DAAMC007.0_1 REV01

Data/Date 21/12/2016



- | | |
|---------------------------------------|-------------------------------|
| 1. Power input | 10. Filter access lugs |
| 2. Water outlet (standard unit) Ø3/4" | 11. Return air inlet |
| 3. Water inlet (standard unit) Ø3/4" | 12. Air flaps |
| 4. Additional coil water outlet Ø1/2" | 13. Fan |
| 5. Additional coil water inlet Ø1/2" | 14. Filter |
| 6. Water bleeds | 15. Fresh air spigot |
| 7. Condensate drain by pump Ø25 | 16. Branch duct spigot Ø150mm |
| 8. Electrical panel | 17. Air discharge |
| 9. Suspension brackets | |

Coil configuration			CC2			CC4		
Size			007.0	011.0	015.0	007.0	011.0	015.0
Unit								
Net dimensions	Width (W)	[mm]	575	575	575	575	575	575
	Height (H)	[mm]	261	261	261	261	261	261
	Depth (D)	[mm]	575	575	575	575	575	575
Packing	Width (W)	[mm]	675	675	675	675	675	675
	Height (H)	[mm]	320	320	320	320	320	320
	Depth (D)	[mm]	675	675	675	675	675	675
Net weight		[kg]	16,5	16,5	16,5	16,7	16,7	16,7
Gross weight		[kg]	22,5	22,5	22,5	22,7	22,7	22,7
Panel								
Net dimensions	Width (W)	[mm]	647	647	647	647	647	647
	Height (H)	[mm]	50	50	50	50	50	50
	Depth (D)	[mm]	647	647	647	647	647	647
Packing	Width (W)	[mm]	715	715	715	715	715	715
	Height (H)	[mm]	123	123	123	123	123	123
	Depth (D)	[mm]	715	715	715	715	715	715
Net weight		[kg]	2,5	2,5	2,5	2,5	2,5	2,5
Gross weight		[kg]	4,5	4,5	4,5	4,5	4,5	4,5

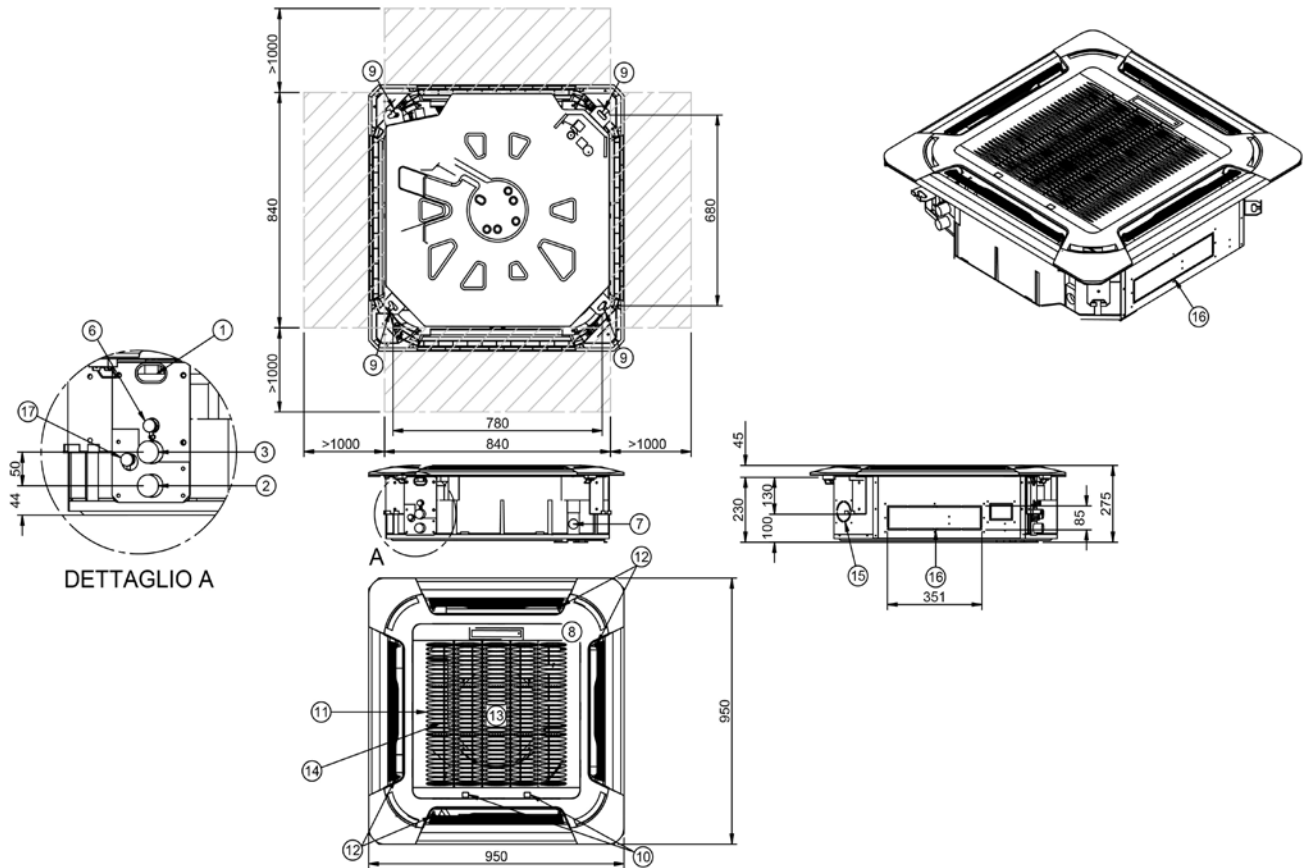
The presence of optional accessories may result in a substantial variation of the weights shown in the table.

Dimensional drawings

CFK 021.0 (CC2)

DAAMC021.1_0 REV01

Data/Date 21/12/2016



- | | |
|---------------------------------------|----------------------------|
| 1. Power input | 11. Return air inlet |
| 2. Water outlet (standard unit) Ø3/4" | 12. Air flaps |
| 3. Water inlet (standard unit) Ø3/4" | 13. Fan |
| 6. Water bleeds | 14. Filter |
| 7. Condensate drain by pump Ø32 | 15. Fresh air spigot Ø75mm |
| 8. Electrical panel | 16. Branch duct spigot |
| 9. Suspension brakets | 17. Air discharge |
| 10. Filter access lugs | |

Coil configuration		CC2	
Size		021.0	
Unit			
Net dimensions	Width (W)	[mm]	840
	Height (H)	[mm]	230
	Depth (D)	[mm]	840
Packing	Width (W)	[mm]	900
	Height (H)	[mm]	260
	Depth (D)	[mm]	900
Net weight		[kg]	23
Gross weight		[kg]	28
Panel			
Net dimensions	Width (W)	[mm]	950
	Height (H)	[mm]	45
	Depth (D)	[mm]	950
Packing	Width (W)	[mm]	1035
	Height (H)	[mm]	90
	Depth (D)	[mm]	1035
Net weight		[kg]	6
Gross weight		[kg]	9

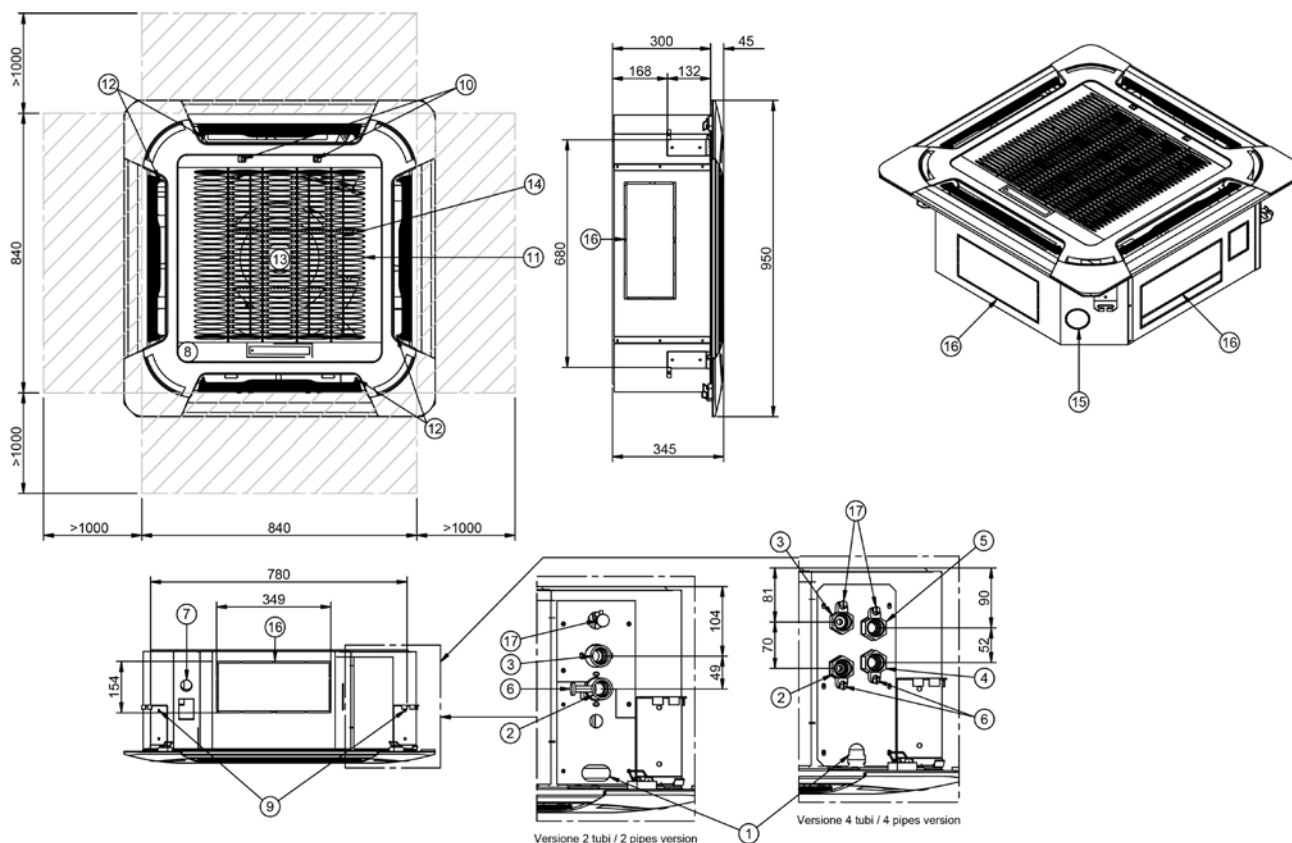
The presence of optional accessories may result in a substantial variation of the weights shown in the table.

Dimensional drawings

CFK 021.0 (CC4) and 031.0 ÷ 041.0 (CC2 - CC4)

DAAMC031.0_041.0_01 REV01

Data/Date 21/12/2016

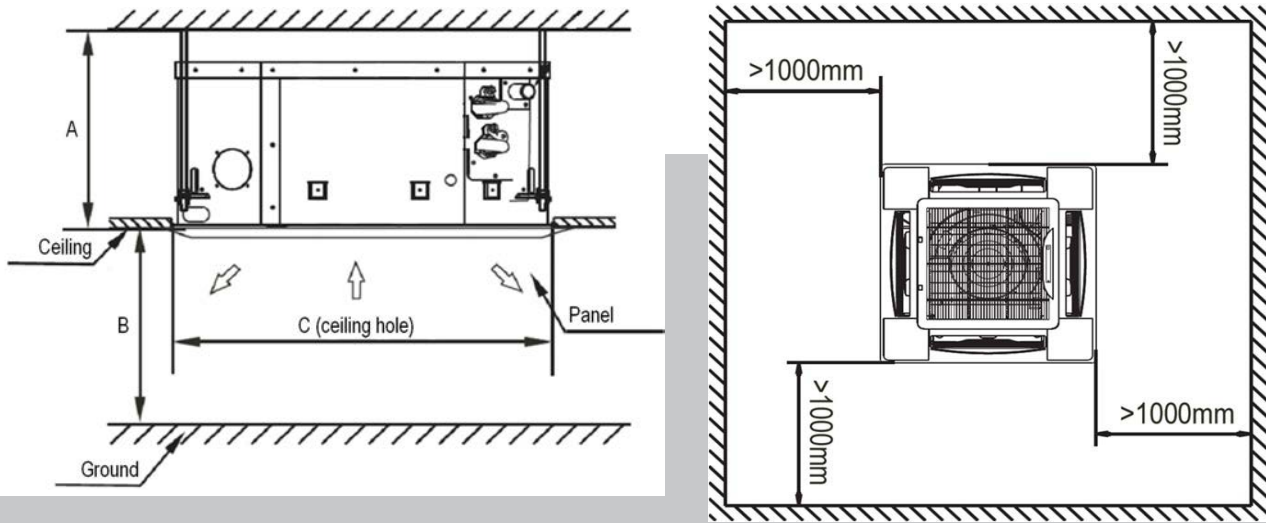


- | | |
|---------------------------------------|----------------------------|
| 1. Power input | 10. Filter access lugs |
| 2. Water inlet (standard unit) Ø3/4" | 11. Return air inlet |
| 3. Water outlet (standard unit) Ø3/4" | 12. Air flaps |
| 4. Additional coil water inlet Ø1/2" | 13. Fan |
| 5. Additional coil water outlet Ø1/2" | 14. Filter |
| 6. Water bleeds | 15. Fresh air spigot Ø75mm |
| 7. Condensate drain by pump Ø32 | 16. Branch duct spigot |
| 8. Electrical panel | 17. Air discharge |
| 9. Suspension brackets | |

Coil configuration			CC2		CC4		
Size			031.0	041.0	021.0	031.0	041.0
Unit							
Net dimensions	Width (W)	[mm]	840	840	840	840	840
	Height (H)	[mm]	300	300	300	300	300
	Depth (D)	[mm]	840	840	840	840	840
Packing	Width (W)	[mm]	900	900	900	900	900
	Height (H)	[mm]	330	330	330	330	330
	Depth (D)	[mm]	900	900	900	900	900
Net weight		[kg]	27	27	27,5	30	30
Gross weight		[kg]	33	33	33,5	35	35
Panel							
Net dimensions	Width (W)	[mm]	950	950	950	950	950
	Height (H)	[mm]	45	45	45	45	45
	Depth (D)	[mm]	950	950	950	950	950
Packing	Width (W)	[mm]	1035	1035	1035	1035	1035
	Height (H)	[mm]	90	90	90	90	90
	Depth (D)	[mm]	1035	1035	1035	1035	1035
Net weight		[kg]	6	6	6	6	6
Gross weight		[kg]	9	9	9	9	9

La presenza di accessori opzionali può comportare una variazione significativa dei pesi riportati in tabella.

Functional spaces



Size		007.0	011.0	015.0	021.0	031.0	041.0
A	[mm]	> 300	> 300	> 300	> 300	> 300	> 300
B	[mm]	2.800~2.300	2.800~2.300	2.800~2.300	> 2.500	> 2.500	> 2.500
C	[mm]	600	600	600	880	880	880

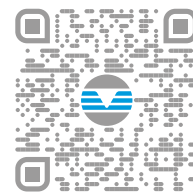
Specifications

Supply and installation of water terminal units for indoor installation, "cassette" type, with self-contained control system built-in. It consists of a high efficiency copper/aluminium exchange coil with a finned heating element fitted with a spindle and equipped with a hydrophilic coating, unit structure realised in electrogalvanized steel sheet and coated with insulating material, standard condensate discharge pump built-in installed. Standard infrared remote control to manage the unit remotely through a receiver placed in the air supply and return ceiling. Electrical panel inside the unit with a complete accessibility from below for an easy maintenance. Ambient primary air set up through a pre-sheared off hole. Set up for air introduction in adjacent rooms through specific pre-sheared off holes placed on the unit sides. High efficiency radial fan with standard DC Brushless motor with airflow control minute by minute according to the requested heating load. Air supply and return ceiling at 360° in self-extinguishing ABS equipped with motorised fins and with a washable renewable synthetic class G2 filter, easily accessible.

Page intentionally left blank

FOR OVER 30 YEARS WE HAVE BEEN
OFFERING SOLUTIONS TO ENSURE
SUSTAINABLE COMFORT AND THE WELL-
BEING OF PEOPLE AND THE ENVIRONMENT

www.clivet.com



sale and assistance

ELFOS Pace BOX3 - CFK 007.0 - 041.0 - BT16N007GB-06



CLIVET SPA
Via Camp Lonc 25, Z.I. Villapaiera
32032 Feltre (BL) - Italy
Tel. +39 0439 3131 - Fax +39 0439 313300
info@clivet.it

A Group Company of

