

ELFODuct MP

New generation horizontal and vertical built-in water-source ductable terminal for medium and large systems

ELFODUCT MP 15-71 SERIES

- ▶ **SERIES RECOMMENDED FOR ESP UP TO 120 PA**
with a large number of accessories it solves every application requirement with ducted distribution
- ▶ **VERY LOW SOUND LEVELS**
thanks to the double air inlet centrifugal fans directly coupled to the electric motor
- ▶ **REDUCED DIMENSIONS**
both in the false ceiling horizontal installation or in the wall vertical one
- ▶ **HIGH ENERGY EFFICIENCY**
in the configuration with fan deck with DC motor
- ▶ **AVAILABLE FOR 2 AND 4 PIPE SYSTEMS**



Nominal cooling capacity from 6,0 to 20,2 kW
Nominal heating capacity from 7,8 to 24,5 kW



Terminal unit Clivet

The hydronic terminal units are very diffused for their versatility and reliability. The Clivet range includes many versions that simplify the application in different types of installation and building.

| | Commercial | | | |
|---------------------|-------------|----------------------------|----------------|-----------------|
| | ELFOSpace | ELFODuct MP ELFODuct HP | ELFOSpace BOX3 | ELFOSpace WALL3 |
| Capacities (A27/W7) | 1,5 ÷ 11 kW | 6 ÷ 25 kW | 3 ÷ 11 kW | 2 ÷ 4,5 kW |
| Vertical cased | | | | |
| Horizontal cased | | | | |
| Vertical uncased | | | | |
| Horizontal uncased | | | | |
| 2 pipes | ✓ | ✓ | ✓ | ✓ |
| 4 pipes | ✓ | ✓ | ✓ | |
| DC Motor | ✓ | ✓ | ✓ | ✓ |
| High head | | ✓ | | |
| RS485 Connection | ✓ | ✓ | ✓ | ✓ |

Standard unit technical specifications

Structure

Main casing (= Bearing structure) made of extremely thick steel-sheet, resistant to rust, corrosion, chemical agents, solvents, aliphatics and alcohols. Single skin panel made of galvanized steel + internal thermal-acoustic insulation of all parts in contact with the coil.

Self-supporting and removable panels provided with holes (buttonholes) for ceiling/wall mounting directly through the main casing.

Pre-cuts slots and prearranged holes to configure the unit on request, to install the accessories, to reverse the unit even on-site.

Assembled with self-threading screws for fast, total and easy check/maintenance.

Reduced sizes, optimised volumes.

Internal exchanger

Heat exchanger coil in copper tubes and aluminium fins, with large surface to increase performances. Each coil is tested under water at 30 bar, then cleaned and dehydrated.

Suitable to work with water at max 15 Bar pressure.

Standard connections on the right side (references for position standing in the airflow with the air blowing on your back) and on request connections on the left side, anyway the unit can be easily reversed even on construction site.

Coil fittings with anti-twisting system, manual air bleeding valves, manual water draining valves.

1 coil (3 or 4 row coils according to the size) for a 2 pipe system and 2 coils (3+2 rows for all sizes) for a 4 pipe system.

Fan

Fan deck including 1, 2 or 3 centrifugal fans with double air inlet aluminium blades (forward curved fins) directly coupled to the electric motor.

Mounted on elastic and anti vibration supports.

Fan statically and dynamically balanced. Extensive diameter fans with low revolutions.

Electric motor are provided with at least 3 speeds, with heat protection, running capacitor permanently switched on, IP 42, B Class, electric cables protected by double insulation.

Manufactured according to the international standards, 230V-1Ph-50Hz.

Fan deck easy to remove (fixed by just 4 screws).

Drain pan

Drain pan with double inclination to ensure optimal evacuation of condensation, provided with a discharge (standard on the same side of the water fittings) + external thermal insulation (M1 class).

Electrical panel

In all series the electrical panel is composed of a simple terminal board for connection to the motor type "Mamut" IP20 (min. 7 poles: 1 Ground + 3 speed + 1 Common + 2 for Bridge) installed outside the unit (for horizontal units, on the same side of the water connections; for vertical units on the opposite side).

Configuration options

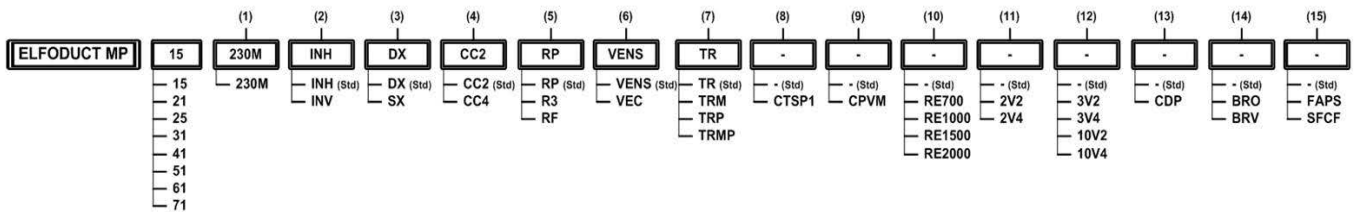
- INV - Vertical uncased version
- SX - Water fittings to the left
- CC4 - Coil configuration for 4 pipe system (size 15÷21, 31÷61)
- R3 - Floor air inlet
- RF - Front air inlet (available only with options: INV)
- VEC - High efficiency EC fan (available with options:TR, TRM, TRP, TRMP, CTSP1+CPVM)
- TRM - Terminal block with minimum water temperature clickson
- TRP - Terminal block with closing cover IP40
- TRMP - Terminal block with closing cover IP40 and minimum water temperature clickson
- CTSP1 - CLIVET TALK TERMINAL SPACE electronics with RS485 Modbus serial port
- CPVM - Control additional card of 0-10V valve and EC fan (available only with options: CTSP1)
- RE700 - 0.7 kW integrated electric heater with safety thermostat and power electric panel
- RE1000 - 1.0 kW integrated electric heater with safety thermostat and power electric panel
- RE1500 - 1.5 kW integrated electric heater with safety thermostat and power electric panel
- RE2000 - 2.0 kW integrated electric heater with safety thermostat and power electric panel

- 2V2 - On/off 2-way valve kit for 2 pipe system (available only with options: CC2)
- 2V4 - On/off 2-way valve kit for 4 pipe system (available only with options: CC4)
- 3V2 - Three-way valve kit for 2 pipe system type "on/off" (available only with options: CC2)
- 3V4 - Three-way valve kit for 4 pipe system type "on/off" (available only with options: CC4)
- 10V2 - 0-10V 3-way valve kit for 2 pipe system (available only with options: CC2)
- 10V4 - 0-10V 3 way valve kit for 4 pipe system (available only with options: CC4)
- CDP - Condensate pump
- BRO - Auxiliary drain pan in galvanized steel with thermal insulation (available only with options: INH)
- BRV - Auxiliary condensate collection pan (available only with options: INV)
- FAPS - EU3 flat air filter (Eurovent 4/5) not ductable
- SFCE - Air filter section (ductable) with EU3 flat air filter (Eurovent 4/5)

Accessories separately supplied

- HIDE2X - Remote control with E/I + 3V + on/off for wall installation
- HIDE3X - Plurifunctional remote control for wall installation
- HIDE4X - Plurifunctional room control for 0-10V valves
- HIDE2X - HID-T2 electronic room control
- HIDE3X - HID-T3 electronic room control
- HIDE4X - HID-T4 electronic room control
- HIDE8X - HID-T8 electronic room control for 3-speed or 0-10V fan and on/off or 0-10V valve
- DCPX - Control device for more units with a single room control
- PTABX - Remote probe for room air temperature for electromechanical thermostats
- TMX - Hot water min. temperature thermostat
- EH230X - Heating section with electrical heaters 230/1/50 with safety thermostat
- EH400X - Heating section with electrical heaters 400/1/50 with safety thermostat
- KIB22X - Water and balancing kit for 2-way valve and 2 pipe installation (available only with options: CC2)
- KIB24X - Water and balancing kit for 2-way valve and 4 pipe installation (available only with options: CC4)
- KIB32X - Water and balancing kit for 3-way valve and 2 pipe installation (available only with options: CC2)
- KIB34X - Water and balancing kit for 3-way valve and 4 pipe installation (available only with options: CC4)
- SFHEX - Air filter section (ductable) with EU5 air filter (Eurovent 4/5)
- CUFMX - Air outlet casing with bird-proof grill
- CUFAX - Air intake casing with bird-proof grill and EU3 air filter (Eurovent 4/5)
- PCCMAX - Section with spigots "Ø" with variable diameter and internal insulation for both air supply outlets
- PCCRIX - Section with spigots "Ø" with variable diameter and internal insulation for air intake outlets
- P90MAX - 90° section for both air supply outlets
- PR90AX - 90° air intake plenum
- SILMAX - Labyrinth noise level attenuator section for both air intake / supply outlets
- MCRX - Mixing and recirculating chamber
- S230X - ON/OFF 230V servomotor for mixing and recirculation chamber (available only with options: MCRX)
- GMX - Supply grille
- GRAX - Return grille with filter
- PMAX - Straight section for both air intake / supply outlets
- PGFMAX - Anti-vibration section for both air supply outlets
- PGFRIX - Anti-vibration section for air intake outlets

Configuration Code



(1) Voltage

- 230M - Supply voltage 230/1/50

(2) Versions

- INH - Uncased horizontal version (standard)
- INV - Vertical uncased version

(3) Water fittings

- DX - Water fittings to the right (standard)
- SX - Water fittings to the left

(4) Coil configuration

- CC2 - Coil configuration for 2 pipe system (standard)
- CC4 - Coil configuration for 4 pipe system (sizes 15 ÷ 21 - 31 ÷ 61)

(5) Air inlet

- RP - Rear intake (standard)
- R3 - Floor air inlet
- RF - Front air inlet (available only with options: INV)

(6) Fans

- VENS - AC fans (standard)
- VEC - High efficiency EC fan (available with options: TR, TRM, TRP, TRMP, CTSP1+CPVM)

(7) Electrical panel

- TR - Terminal boards for connection motor (standard)
- TRM - Terminal block with minimum water temperature clickson
- TRP - Terminal block with closing cover IP40
- TRMP - Terminal block with closing cover IP40 and minimum water temperature clickson

(8) Electronic version

- (-) Not required (standard)
- CTSP1 - CLIVET TALK TERMINAL SPACE electronics with RS485 Modbus serial port

(9) Additional cards

- (-) Not required (standard)
- CPVM - Control additional card of 0-10V valve and EC fan (available only with options: CTSP1)

(10) Electric heaters

- (-) Not required (standard)
- RE700 - 0.7 kW integrated electric heater with safety thermostat and power electric panel
- RE1000 - 1.0 kW integrated electric heater with safety thermostat and power electric panel
- RE1500 - 1.5 kW integrated electric heater with safety thermostat and power electric panel
- RE2000 - 2.0 kW integrated electric heater with safety thermostat and power electric panel

(11) 2-way valves

- (-) Not required (standard)
- 2V2 - on/off 2-way valve kit for 2 pipe system (available only with options: CC2)
- 2V4 - on/off 2-way valve kit for 4 pipe system (available only with options: CC4)

(12) 3-way valves

- (-) Not required (standard)
- 3V2 - Three-way valve kit for 2 pipe system type "on/off" (available only with options: CC2)
- 3V4 - Three-way valve kit for 4 pipe system type "on/off" (available only with options: CC4)
- 10V2 - 0-10V 3-way valve kit for 2 pipe system (available only with options: CC2)
- 10V4 - 0-10V 3 way valve kit for 4 pipe system (available only with options: CC4)

(13) Condensate pump

- (-) Not required (standard)
- CDP - Condensate pump

(14) Auxiliary condensate collection pan

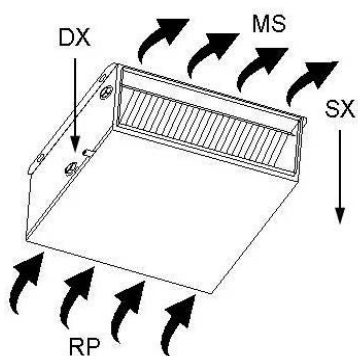
- (-) Not required (standard)
- BRO - Auxiliary drain pan in galvanized steel with thermal insulation (available only with options: INH)
- BRV - Auxiliary drain pan (available only with options: INV)

(15) Filtration

- (-) Not required (standard)
- FAPS - EU3 flat air filter (Eurovent 4/5) not ductable
- SFCE - Air filter section (ductable) with EU3 flat air filter (Eurovent 4/5)

Ductable uncased horizontal version (INH)

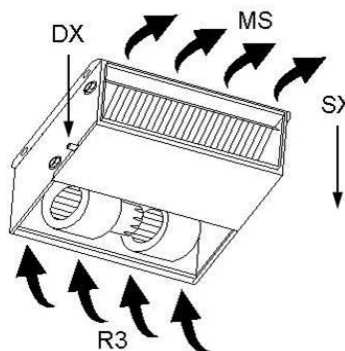
RP - Rear intake (standard)



DX - Water connections to the right (standard)

SX - Water connections to the left

R3 - Floor air inlet

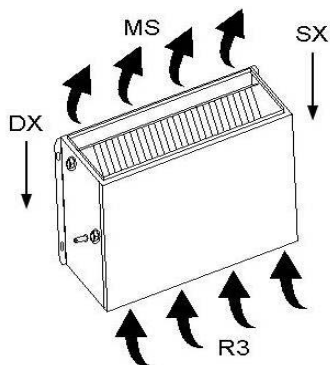


DX - Water connections to the right (standard)

SX - Water connections to the left

Ductable uncased vertical version (INV)

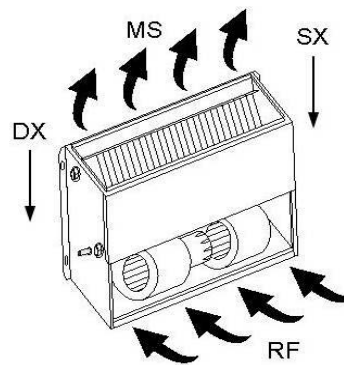
R3 - Floor air inlet (standard)



DX - Water connections to the right (standard)

SX - Water connections to the left

RF - Front air intake



DX - Water connections to the right (standard)

SX - Water connections to the left



References for position of fittings: right and left defined by standing in the airflow (with the air blowing on your back).

General technical data - 2 pipe system (CC2)

AC fans (standard)

| Size | | | 15 | 21 | 25 | 31 | 41 | 51 | 61 | 71 |
|---|-----|---------|----------|----------|----------|----------|----------|----------|----------|----------|
| Cooling | | | | | | | | | | |
| Cooling capacity | (1) | [kW] | 6,01 | 7,48 | 8,59 | 10,30 | 12,90 | 15,00 | 17,20 | 20,20 |
| Sensible capacity | (1) | [kW] | 4,57 | 5,56 | 6,16 | 8,10 | 9,95 | 11,10 | 13,30 | 14,90 |
| Total power input | (1) | [kW] | 0,16 | 0,16 | 0,16 | 0,31 | 0,31 | 0,31 | 0,46 | 0,46 |
| Heating | | | | | | | | | | |
| Heating capacity | (2) | [kW] | 7,82 | 9,47 | 10,03 | 13,92 | 17,16 | 18,29 | 23,09 | 24,56 |
| Internal exchanger | | | | | | | | | | |
| Number of rows | | [Nr] | 3 | 3 | 4 | 3 | 3 | 4 | 3 | 4 |
| Water volume | | [l] | 1,90 | 2,00 | 2,70 | 2,90 | 3,00 | 4,00 | 4,00 | 5,30 |
| Water flow-rate | (1) | [l/s] | 0,29 | 0,36 | 0,41 | 0,49 | 0,62 | 0,72 | 0,82 | 0,97 |
| Water pressure drops | (1) | [kPa] | 28,70 | 37,80 | 32,30 | 21,00 | 33,00 | 25,00 | 23,00 | 22,00 |
| Air handling section fans (supply) | | | | | | | | | | |
| Type of fans | (3) | | CFG | CFG | CFG | CFG | CFG | CFG | CFG | CFG |
| Number of fans | | [Nr] | 1 | 1 | 1 | 2 | 2 | 2 | 3 | 3 |
| Air flow | (4) | [l/s] | 306 | 333 | 319 | 583 | 639 | 611 | 861 | 819 |
| Air flow | (4) | [m³/h] | 1.100 | 1.200 | 1.150 | 2.100 | 2.300 | 2.200 | 3.100 | 2.950 |
| Max external static pressure | | [Pa] | 145 | 150 | 150 | 135 | 140 | 140 | 135 | 135 |
| Connections | | | | | | | | | | |
| Water connections | | ["] | 3/4" F | 3/4" F | 3/4" F | 3/4" F | 3/4" F | 3/4" F | 3/4" F | 3/4" F |
| Condensate discharge | (5) | Ø [mm] | 20 | 20 | 20 | 20 | 20 | 20 | 20 | 20 |
| Power supply | | | | | | | | | | |
| Power supply STD | | [V] | 230/1/50 | 230/1/50 | 230/1/50 | 230/1/50 | 230/1/50 | 230/1/50 | 230/1/50 | 230/1/50 |
| Noise levels | | | | | | | | | | |
| Sound pressure level (1 m) | (6) | [dB(A)] | 58 | 59 | 59 | 62 | 63 | 63 | 62 | 62 |
| Sound power level | (6) | [dB(A)] | 69 | 70 | 70 | 73 | 74 | 74 | 73 | 73 |

The Product is compliant with the Erp (Energy Related Products) European Directive. It includes the Commission delegated Regulation (EU) No 2016/2281, also known as Ecodesign Lot21.
 'Contains fluorinated greenhouse gases' (GWP 2087,5)

(1) Indoor air temperature at 27°C D.B./19°C W.B.
 Water temperature in / out 7°C / 12°C
 Air flow at maximum speed (ESP = 0Pa)
 (2) Indoor air temperature at 20°C
 Water inlet temperature = 50°C
 Air flow at maximum speed (ESP=0Pa)

(3) CFG = AC centrifugal fan
 (4) Air flow at maximum speed - (ESP = 0Pa)
 (5) Intended as an external diameter
 (6) The sound levels refer to ceiling units without false ceiling, with nominal air flow, fan supply 220V, at maximum speed.
 Sound pressure levels referred to 1 m. from unit external surface. Measurement made with intake plenum and air filter mounted.

Electrical data - 2 pipe system (CC2)

AC fans (standard)

Voltage 230/1/50 ± 10%

| Size | | | 15 | 21 | 25 | 31 | 41 | 51 | 61 | 71 |
|--|--|------|------|------|------|------|------|------|------|------|
| Full load current at max admissible conditions | | | | | | | | | | |
| F.L.A. Total | | [A] | 0,70 | 0,70 | 0,70 | 1,40 | 1,40 | 1,40 | 2,10 | 2,10 |
| Full load power input at max admissible condition | | | | | | | | | | |
| F.L.I. Total | | [kW] | 0,16 | 0,16 | 0,16 | 0,31 | 0,31 | 0,31 | 0,46 | 0,46 |

(1) Indoor air temperature at 27°C D.B./19°C W.B.
 Water temperature in / out 7°C / 12°C
 Air flow at maximum speed (ESP = 0Pa)
 (2) Indoor air temperature at 20°C
 Water inlet temperature = 50°C
 Air flow at maximum speed (ESP = 0Pa)

General technical data - 4 pipe system (CC4)

AC fans (standard)

| Size | | | 15 | 21 | 31 | 41 | 51 | 61 |
|---|-----|---------------------|-----------|-----------|-----------|-----------|-----------|-----------|
| Cooling | | | | | | | | |
| Cooling capacity | (1) | [kW] | 5,83 | 7,22 | 9,96 | 12,40 | 13,20 | 16,60 |
| Sensible capacity | (1) | [kW] | 4,42 | 5,35 | 7,83 | 9,53 | 10,40 | 12,80 |
| Total power input | (1) | [kW] | 0,16 | 0,16 | 0,31 | 0,31 | 0,46 | 0,46 |
| Heating | | | | | | | | |
| Heating capacity | (2) | [kW] | 6,61 | 6,97 | 11,60 | 12,20 | 15,50 | 16,40 |
| Internal exchanger | | | | | | | | |
| Number of rows | | [Nr] | 3 + 1 | 3 + 1 | 3 + 1 | 3 + 1 | 3 + 1 | 3 + 1 |
| Water volume | | [l] | 1,9 + 0,6 | 2,0 + 0,6 | 2,9 + 0,9 | 3,0 + 0,9 | 3,9 + 1,2 | 4,0 + 1,2 |
| Water flow-rate | (1) | [l/s] | 0,28 | 0,35 | 0,48 | 0,59 | 0,63 | 0,79 |
| Water pressure drops | (1) | [kPa] | 27,0 | 35,2 | 19,6 | 30,5 | 13,2 | 21,4 |
| Air handling section fans (supply) | | | | | | | | |
| Type of fans | (3) | | CFG | CFG | CFG | CFG | CFG | CFG |
| Number of fans | | [Nr] | 1 | 1 | 2 | 2 | 3 | 3 |
| Air flow | (4) | [l/s] | 292 | 317 | 556 | 603 | 742 | 814 |
| Air flow | (4) | [m ³ /h] | 1.050 | 1.140 | 2.000 | 2.170 | 2.670 | 2.930 |
| Max external static pressure | | [Pa] | 145 | 150 | 135 | 140 | 130 | 135 |
| Connections | | | | | | | | |
| Water connections cooling coil | | ["] | 3/4" F | 3/4" F | 3/4" F | 3/4" F | 3/4" F | 3/4" F |
| Water connections heating coil | | ["] | 1/2" F | 1/2" F | 1/2" F | 1/2" F | 1/2" F | 1/2" F |
| Condensate discharge | (5) | Ø [mm] | 20 | 20 | 20 | 20 | 20 | 20 |
| Power supplies | | | | | | | | |
| Power supply STD | | [V] | 230/1/50 | 230/1/50 | 230/1/50 | 230/1/50 | 230/1/50 | 230/1/50 |
| Noise levels | | | | | | | | |
| Sound pressure level (1 m) | (6) | [dB(A)] | 58 | 59 | 62 | 63 | 61 | 62 |
| Sound power level | (6) | [dB(A)] | 69 | 70 | 73 | 74 | 72 | 73 |

The Product is compliant with the Erp (Energy Related Products) European Directive. It includes the Commission delegated Regulation (EU) No 2016/2281, also known as Ecodesign Lot21.
 Contains fluorinated greenhouse gases(GWP 2087,5)

(1) Indoor air temperature at 27°C D.B./19°C W.B
 Water temperature in / out 7°C / 12°C
 Air flow at maximum speed (ESP = 0Pa)
 (2) Indoor air temperature at 20°C
 Water temperature in / out = 70°C / 60°C
 Air flow at maximum speed (ESP = 0Pa)

(3) CFG = AC centrifugal fan
 (4) Air flow at maximum speed - (ESP = 0Pa)
 (5) Intended as an external diameter
 (6) The sound levels refer to ceiling units without false ceiling, with nominal air flow, fan supply 220V, at maximum speed. Sound pressure levels referred to 1 m. from unit external surface. Measurement made with intake plenum and air filter mounted.

Electrical data - 4 pipe system (CC4)

AC fans (standard)

Supply voltage 230/1/50 ± 10%

| Size | | | 15 | 21 | 31 | 41 | 51 | 61 |
|--|--|------|------|------|------|------|------|------|
| Full load current at max admissible conditions | | | | | | | | |
| F.L.A. Total | | [A] | 0,70 | 0,70 | 1,40 | 1,40 | 2,10 | 2,10 |
| Full load power input at max admissible condition | | | | | | | | |
| F.L.I. Total | | [kW] | 0,16 | 0,16 | 0,31 | 0,31 | 0,46 | 0,46 |

(1) Indoor air temperature at 27°C D.B./19°C W.B
 Water temperature in / out 7°C / 12°C
 Air flow at maximum speed (ESP = 0Pa)
 (2) Indoor air temperature at 20°C
 Water temperature in / out = 70°C / 60°C
 Air flow at maximum speed (ESP = 0Pa)

Operating limits

2 pipe system (CC2)

| Size | | 15 | 21 | 25 | 31 | 41 | 51 | 61 | 71 |
|----------------------------------|------|-----|-----|-----|-----|-----|-----|-----|-----|
| Heating | | | | | | | | | |
| Max inlet water temperature | [°C] | 100 | 100 | 100 | 100 | 100 | 100 | 100 | 100 |
| Min inlet water temperature | [°C] | 3 | 3 | 3 | 3 | 3 | 3 | 3 | 3 |
| Max inlet air temperature (D.B.) | [°C] | 40 | 40 | 40 | 40 | 40 | 40 | 40 | 40 |
| Min inlet air temperature (D.B.) | [°C] | 2 | 2 | 2 | 2 | 2 | 2 | 2 | 2 |
| Cooling | | | | | | | | | |
| Max inlet air temperature (W.B.) | [°C] | 40 | 40 | 40 | 40 | 40 | 40 | 40 | 40 |
| Min inlet air temperature (W.B.) | [°C] | 2 | 2 | 2 | 2 | 2 | 2 | 2 | 2 |
| Maximum water side pressure | bar | 30 | 30 | 30 | 30 | 30 | 30 | 30 | 30 |



Max water side pressure = Coil max pressure. In presence of accessories (for example 2-3 way valves) the max water side pressure is 15 bar.

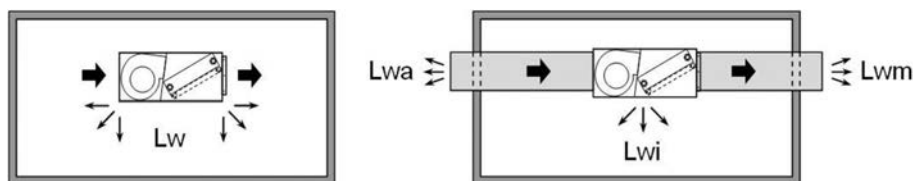
4 pipe system (CC4)

| Size | | 15 | 21 | 31 | 41 | 51 | 61 |
|----------------------------------|------|-----|-----|-----|-----|-----|-----|
| Heating | | | | | | | |
| Max inlet water temperature | [°C] | 100 | 100 | 100 | 100 | 100 | 100 |
| Min inlet water temperature | [°C] | 3 | 3 | 3 | 3 | 3 | 3 |
| Max inlet air temperature (D.B.) | [°C] | 40 | 40 | 40 | 40 | 40 | 40 |
| Min inlet air temperature (D.B.) | [°C] | 2 | 2 | 2 | 2 | 2 | 2 |
| Cooling | | | | | | | |
| Max inlet air temperature (W.B.) | [°C] | 40 | 40 | 40 | 40 | 40 | 40 |
| Min inlet air temperature (W.B.) | [°C] | 2 | 2 | 2 | 2 | 2 | 2 |
| Maximum water side pressure | bar | 15 | 15 | 15 | 15 | 15 | 15 |



Max water side pressure = Coil max pressure. In presence of accessories (for example 2-3 way valves) the max water side pressure is 15 bar.

Sound levels



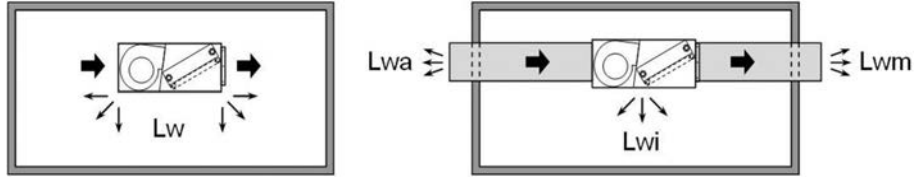
- Lw** Total sound power emitted by the unit
- Lwi** Radiated sound power, emitted by the lateral surfaces of the unit
- Lwm** Sound power emitted by the air supply side of the unit
- Lwa** Sound power emitted by the air intake side of the unit

Size 15 (CC2 - CC4)

| Static pressure | Sound power | Fan speed | Sound power level (dB) | | | | | | | Sound pressure level dB(A) | Sound Power Level dB(A) |
|-----------------|-------------|-----------|------------------------|------|------|------|------|------|------|-------------------------------|----------------------------|
| | | | Octave band (Hz) | | | | | | | | |
| | | | 125 | 250 | 500 | 1000 | 2000 | 4000 | 8000 | | |
| 0 Pa | Lw | Min | 55,3 | 58,5 | 54,2 | 53,2 | 50,6 | 43,0 | 37,9 | 47 | 58 |
| | | Med | 62,1 | 65,4 | 60,0 | 59,2 | 56,7 | 51,2 | 48,1 | 53 | 64 |
| | | Max | 65,8 | 70,5 | 64,7 | 63,7 | 61,3 | 57,2 | 54,2 | 58 | 69 |
| | Lwi | Min | 37,5 | 38,0 | 28,7 | 25,0 | 16,2 | n.m. | n.m. | 21 | 32 |
| | | Med | 44,3 | 44,9 | 34,5 | 30,9 | 22,3 | 11,2 | n.m. | 28 | 39 |
| | | Max | 48,0 | 50,0 | 39,2 | 35,5 | 26,8 | 17,3 | 8,9 | 33 | 44 |
| | Lwm | Min | 52,1 | 55,0 | 48,0 | 48,7 | 48,0 | 39,9 | 34,5 | 43 | 54 |
| | | Med | 58,8 | 61,9 | 53,8 | 54,7 | 54,1 | 48,0 | 44,8 | 49 | 60 |
| | | Max | 62,6 | 67,0 | 58,5 | 59,2 | 58,7 | 54,1 | 50,9 | 54 | 65 |
| | Lwa | Min | 52,4 | 55,9 | 53,0 | 51,4 | 47,1 | 40,1 | 35,1 | 45 | 56 |
| | | Med | 59,2 | 62,8 | 58,8 | 57,3 | 53,2 | 48,3 | 45,4 | 51 | 62 |
| | | Max | 62,9 | 67,8 | 63,5 | 61,8 | 57,8 | 54,3 | 51,5 | 56 | 67 |
| 40 Pa | Lw | Min | 56,6 | 59,8 | 55,5 | 54,5 | 51,9 | 44,3 | 39,1 | 48 | 59 |
| | | Med | 63,4 | 66,7 | 61,3 | 60,5 | 58,0 | 52,5 | 49,4 | 55 | 66 |
| | | Max | 67,1 | 71,8 | 66,0 | 65,0 | 62,6 | 58,5 | 55,5 | 59 | 70 |
| | Lwi | Min | 38,8 | 39,3 | 30,0 | 26,2 | 17,4 | n.m. | n.m. | 23 | 34 |
| | | Med | 45,5 | 46,2 | 35,7 | 32,2 | 23,5 | 12,5 | n.m. | 29 | 40 |
| | | Max | 49,3 | 51,2 | 40,4 | 36,7 | 28,1 | 18,6 | 10,2 | 34 | 45 |
| | Lwm | Min | 53,4 | 56,3 | 49,3 | 50,0 | 49,3 | 41,2 | 35,8 | 44 | 55 |
| | | Med | 60,1 | 63,2 | 55,1 | 55,9 | 55,4 | 49,3 | 46,1 | 51 | 62 |
| | | Max | 63,9 | 68,3 | 59,8 | 60,5 | 60,0 | 55,4 | 52,2 | 55 | 66 |
| | Lwa | Min | 53,7 | 57,1 | 54,3 | 52,6 | 48,4 | 41,4 | 36,4 | 46 | 57 |
| | | Med | 60,4 | 64,0 | 60,0 | 58,6 | 54,5 | 49,6 | 46,7 | 52 | 63 |
| | | Max | 64,2 | 69,1 | 64,7 | 63,1 | 59,1 | 55,6 | 52,8 | 57 | 68 |
| 80 Pa | Lw | Min | 57,9 | 61,1 | 56,8 | 55,8 | 53,2 | 45,6 | 40,4 | 50 | 61 |
| | | Med | 64,6 | 68,0 | 62,5 | 61,8 | 59,3 | 53,7 | 50,7 | 56 | 67 |
| | | Max | 68,4 | 73,0 | 67,2 | 66,3 | 63,8 | 59,8 | 56,8 | 61 | 72 |
| | Lwi | Min | 40,1 | 40,6 | 31,3 | 27,5 | 18,7 | 5,7 | n.m. | 24 | 35 |
| | | Med | 46,8 | 47,5 | 37,0 | 33,5 | 24,8 | 13,8 | 5,4 | 30 | 41 |
| | | Max | 50,6 | 52,5 | 41,7 | 38,0 | 29,4 | 19,8 | 11,5 | 35 | 46 |
| | Lwm | Min | 54,6 | 57,6 | 50,6 | 51,2 | 50,6 | 42,5 | 37,1 | 46 | 57 |
| | | Med | 61,4 | 64,5 | 56,4 | 57,2 | 56,7 | 50,6 | 47,4 | 52 | 63 |
| | | Max | 65,1 | 69,6 | 61,1 | 61,7 | 61,3 | 56,7 | 53,5 | 57 | 68 |
| | Lwa | Min | 55,0 | 58,4 | 55,6 | 53,9 | 49,6 | 42,7 | 37,7 | 47 | 58 |
| | | Med | 61,7 | 65,3 | 61,3 | 59,9 | 55,7 | 50,8 | 48,0 | 54 | 65 |
| | | Max | 65,5 | 70,4 | 66,0 | 64,4 | 60,3 | 56,9 | 54,0 | 58 | 69 |
| 120 Pa | Lw | Min | 59,2 | 62,4 | 58,1 | 57,1 | 54,4 | 46,9 | 41,7 | 51 | 62 |
| | | Med | 65,9 | 69,3 | 63,8 | 63,1 | 60,5 | 55,0 | 52,0 | 57 | 68 |
| | | Max | 69,7 | 74,3 | 68,5 | 67,6 | 65,1 | 61,1 | 58,0 | 62 | 73 |
| | Lwi | Min | 41,3 | 41,8 | 32,5 | 28,8 | 20,0 | 6,9 | n.m. | 25 | 36 |
| | | Med | 48,1 | 48,7 | 38,3 | 34,8 | 26,1 | 15,1 | 6,7 | 32 | 43 |
| | | Max | 51,9 | 53,8 | 43,0 | 39,3 | 30,7 | 21,1 | 12,7 | 37 | 48 |
| | Lwm | Min | 55,9 | 58,9 | 51,9 | 52,5 | 51,9 | 43,8 | 38,4 | 47 | 58 |
| | | Med | 62,7 | 65,8 | 57,6 | 58,5 | 58,0 | 51,9 | 48,7 | 53 | 64 |
| | | Max | 66,4 | 70,8 | 62,3 | 63,0 | 62,6 | 57,9 | 54,7 | 58 | 69 |
| | Lwa | Min | 56,2 | 59,7 | 56,8 | 55,2 | 50,9 | 44,0 | 39,0 | 49 | 60 |
| | | Med | 63,0 | 66,6 | 62,6 | 61,2 | 57,0 | 52,1 | 49,2 | 55 | 66 |
| | | Max | 66,7 | 71,7 | 67,3 | 65,7 | 61,6 | 58,2 | 55,3 | 60 | 71 |

The sound levels refer to ceiling units without false ceiling, fan supply 220V.
 Sound pressure levels referred to 1 m from unit external surface.
 Measurement made with intake plenum and air filter mounted.
 n.m. = not measurable

Sound levels



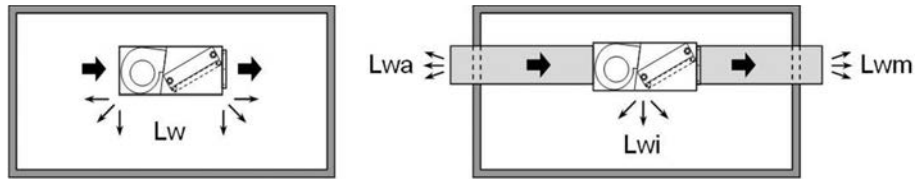
- Lw Total sound power emitted by the unit
- Lwi Radiated sound power, emitted by the lateral surfaces of the unit
- Lwm Sound power emitted by the air supply side of the unit
- Lwa Sound power emitted by the air intake side of the unit

Size 21 (CC2 - CC4) and 25 (CC2)

| Static pressure | Sound power | Fan speed | Sound power level (dB) | | | | | | | Sound pressure level dB(A) | Sound Power Level dB(A) |
|-----------------|-------------|-----------|------------------------|------|------|------|------|------|------|-------------------------------|----------------------------|
| | | | Octave band (Hz) | | | | | | | | |
| | | | 125 | 250 | 500 | 1000 | 2000 | 4000 | 8000 | | |
| 0 Pa | Lw | Min | 56,3 | 59,5 | 55,2 | 54,2 | 51,6 | 44,0 | 38,9 | 48 | 59 |
| | | Med | 63,1 | 66,4 | 61,0 | 60,2 | 57,7 | 52,2 | 49,1 | 54 | 65 |
| | | Max | 66,8 | 71,5 | 65,7 | 64,7 | 62,3 | 58,2 | 55,2 | 59 | 70 |
| | Lwi | Min | 38,5 | 39,0 | 29,7 | 26,0 | 17,2 | n.m. | n.m. | 22 | 33 |
| | | Med | 45,3 | 45,9 | 35,5 | 31,9 | 23,3 | 12,2 | n.m. | 29 | 40 |
| | | Max | 49,0 | 51,0 | 40,2 | 36,5 | 27,8 | 18,3 | 9,9 | 34 | 45 |
| | Lwm | Min | 53,1 | 56,0 | 49,0 | 49,7 | 49,0 | 40,9 | 35,5 | 44 | 55 |
| | | Med | 59,8 | 62,9 | 54,8 | 55,7 | 55,1 | 49,0 | 45,8 | 50 | 61 |
| | | Max | 63,6 | 68,0 | 59,5 | 60,2 | 59,7 | 55,1 | 51,9 | 55 | 66 |
| | Lwa | Min | 53,4 | 56,9 | 54,0 | 52,4 | 48,1 | 41,1 | 36,1 | 46 | 57 |
| | | Med | 60,2 | 63,8 | 59,8 | 58,3 | 54,2 | 49,3 | 46,4 | 52 | 63 |
| | | Max | 63,9 | 68,8 | 64,5 | 62,8 | 58,8 | 55,3 | 52,5 | 57 | 68 |
| 40 Pa | Lw | Min | 57,6 | 60,8 | 56,5 | 55,5 | 52,9 | 45,3 | 40,1 | 49 | 60 |
| | | Med | 64,4 | 67,7 | 62,3 | 61,5 | 59,0 | 53,5 | 50,4 | 56 | 67 |
| | | Max | 68,1 | 72,8 | 67,0 | 66,0 | 63,6 | 59,5 | 56,5 | 60 | 71 |
| | Lwi | Min | 39,8 | 40,3 | 31,0 | 27,2 | 18,4 | 5,4 | n.m. | 24 | 35 |
| | | Med | 46,5 | 47,2 | 36,7 | 33,2 | 24,5 | 13,5 | 5,1 | 30 | 41 |
| | | Max | 50,3 | 52,2 | 41,4 | 37,7 | 29,1 | 19,6 | 11,2 | 35 | 46 |
| | Lwm | Min | 54,4 | 57,3 | 50,3 | 51,0 | 50,3 | 42,2 | 36,8 | 45 | 56 |
| | | Med | 61,1 | 64,2 | 56,1 | 56,9 | 56,4 | 50,3 | 47,1 | 52 | 63 |
| | | Max | 64,9 | 69,3 | 60,8 | 61,5 | 61,0 | 56,4 | 53,2 | 56 | 67 |
| | Lwa | Min | 54,7 | 58,1 | 55,3 | 53,6 | 49,4 | 42,4 | 37,4 | 47 | 58 |
| | | Med | 61,4 | 65,0 | 61,0 | 59,6 | 55,5 | 50,6 | 47,7 | 53 | 64 |
| | | Max | 65,2 | 70,1 | 65,7 | 64,1 | 60,1 | 56,6 | 53,8 | 58 | 69 |
| 80 Pa | Lw | Min | 58,9 | 62,1 | 57,8 | 56,8 | 54,2 | 46,6 | 41,4 | 51 | 62 |
| | | Med | 65,6 | 69,0 | 63,5 | 62,8 | 60,3 | 54,7 | 51,7 | 57 | 68 |
| | | Max | 69,4 | 74,0 | 68,2 | 67,3 | 64,8 | 60,8 | 57,8 | 62 | 73 |
| | Lwi | Min | 41,1 | 41,6 | 32,3 | 28,5 | 19,7 | 6,7 | n.m. | 25 | 36 |
| | | Med | 47,8 | 48,5 | 38,0 | 34,5 | 25,8 | 14,8 | 6,4 | 31 | 42 |
| | | Max | 51,6 | 53,5 | 42,7 | 39,0 | 30,4 | 20,8 | 12,5 | 36 | 47 |
| | Lwm | Min | 55,6 | 58,6 | 51,6 | 52,2 | 51,6 | 43,5 | 38,1 | 47 | 58 |
| | | Med | 62,4 | 65,5 | 57,4 | 58,2 | 57,7 | 51,6 | 48,4 | 53 | 64 |
| | | Max | 66,1 | 70,6 | 62,1 | 62,7 | 62,3 | 57,7 | 54,5 | 58 | 69 |
| | Lwa | Min | 56,0 | 59,4 | 56,6 | 54,9 | 50,6 | 43,7 | 38,7 | 48 | 59 |
| | | Med | 62,7 | 66,3 | 62,3 | 60,9 | 56,7 | 51,8 | 49,0 | 55 | 66 |
| | | Max | 66,5 | 71,4 | 67,0 | 65,4 | 61,3 | 57,9 | 55,0 | 59 | 70 |
| 120 Pa | Lw | Min | 60,2 | 63,4 | 59,1 | 58,1 | 55,4 | 47,9 | 42,7 | 52 | 63 |
| | | Med | 66,9 | 70,3 | 64,8 | 64,1 | 61,5 | 56,0 | 53,0 | 58 | 69 |
| | | Max | 70,7 | 75,3 | 69,5 | 68,6 | 66,1 | 62,1 | 59,0 | 63 | 74 |
| | Lwi | Min | 42,3 | 42,8 | 33,5 | 29,8 | 21,0 | 7,9 | n.m. | 26 | 37 |
| | | Med | 49,1 | 49,7 | 39,3 | 35,8 | 27,1 | 16,1 | 7,7 | 33 | 44 |
| | | Max | 52,9 | 54,8 | 44,0 | 40,3 | 31,7 | 22,1 | 13,7 | 38 | 49 |
| | Lwm | Min | 56,9 | 59,9 | 52,9 | 53,5 | 52,9 | 44,8 | 39,4 | 48 | 59 |
| | | Med | 63,7 | 66,8 | 58,6 | 59,5 | 59,0 | 52,9 | 49,7 | 54 | 65 |
| | | Max | 67,4 | 71,8 | 63,3 | 64,0 | 63,6 | 58,9 | 55,7 | 59 | 70 |
| | Lwa | Min | 57,2 | 60,7 | 57,8 | 56,2 | 51,9 | 45,0 | 40,0 | 50 | 61 |
| | | Med | 64,0 | 67,6 | 63,6 | 62,2 | 58,0 | 53,1 | 50,2 | 56 | 67 |
| | | Max | 67,7 | 72,7 | 68,3 | 66,7 | 62,6 | 59,2 | 56,3 | 61 | 72 |

The sound levels refer to ceiling units without false ceiling, fan supply 220V.
 Sound pressure levels referred to 1 m from unit external surface.
 Measurement made with intake plenum and air filter mounted.
 n.m. = not measurable

Sound levels



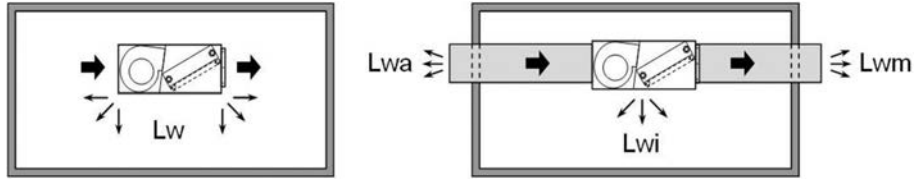
- Lw** Total sound power emitted by the unit
- Lwi** Radiated sound power, emitted by the lateral surfaces of the unit
- Lwm** Sound power emitted by the air supply side of the unit
- Lwa** Sound power emitted by the air intake side of the unit

Size 31 (CC2 - CC4)

| Static pressure | Sound power | Fan speed | Sound power level (dB) | | | | | | | Sound pressure level | Sound Power Level |
|-----------------|-------------|-----------|------------------------|------|------|------|------|------|------|----------------------|-------------------|
| | | | Octave band (Hz) | | | | | | | | |
| | | | 125 | 250 | 500 | 1000 | 2000 | 4000 | 8000 | | |
| 0 Pa | Lw | Min | 62,0 | 65,1 | 62,1 | 59,8 | 57,7 | 51,2 | 48,8 | 54 | 65 |
| | | Med | 67,1 | 71,1 | 66,9 | 65,1 | 62,9 | 57,5 | 55,8 | 60 | 71 |
| | | Max | 69,2 | 73,2 | 68,9 | 67,1 | 64,8 | 59,8 | 58,4 | 62 | 73 |
| | Lwi | Min | 44,2 | 44,6 | 36,6 | 31,5 | 23,2 | 11,2 | n.m. | 28 | 39 |
| | | Med | 49,3 | 50,6 | 41,4 | 36,8 | 28,4 | 17,6 | 10,5 | 34 | 45 |
| | | Max | 51,4 | 52,7 | 43,4 | 38,9 | 30,4 | 19,9 | 13,1 | 36 | 47 |
| | Lwm | Min | 58,6 | 61,5 | 55,8 | 55,1 | 55,0 | 47,9 | 45,4 | 50 | 61 |
| | | Med | 63,7 | 67,5 | 60,6 | 60,4 | 60,2 | 54,3 | 52,4 | 55 | 66 |
| | | Max | 65,8 | 69,6 | 62,6 | 62,4 | 62,1 | 56,6 | 55,0 | 57 | 68 |
| | Lwa | Min | 59,2 | 62,6 | 60,9 | 58,0 | 54,3 | 48,4 | 46,1 | 52 | 63 |
| | | Med | 64,3 | 68,5 | 65,8 | 63,3 | 59,5 | 54,7 | 53,2 | 57 | 68 |
| | | Max | 66,4 | 70,7 | 67,8 | 65,3 | 61,5 | 57,0 | 55,8 | 59 | 70 |
| 40 Pa | Lw | Min | 63,4 | 66,5 | 63,5 | 61,2 | 59,1 | 52,6 | 50,2 | 55 | 66 |
| | | Med | 68,5 | 72,5 | 68,3 | 66,5 | 64,3 | 58,9 | 57,2 | 61 | 72 |
| | | Max | 70,6 | 74,6 | 70,3 | 68,5 | 66,2 | 61,2 | 59,8 | 63 | 74 |
| | Lwi | Min | 45,6 | 46,0 | 38,0 | 32,9 | 24,7 | 12,6 | n.m. | 30 | 41 |
| | | Med | 50,7 | 52,0 | 42,8 | 38,2 | 29,8 | 19,0 | 11,9 | 35 | 46 |
| | | Max | 52,8 | 54,1 | 44,8 | 40,3 | 31,8 | 21,3 | 14,5 | 37 | 48 |
| | Lwm | Min | 60,0 | 62,9 | 57,2 | 56,5 | 56,4 | 49,3 | 46,8 | 51 | 62 |
| | | Med | 65,1 | 68,9 | 62,0 | 61,8 | 61,6 | 55,7 | 53,8 | 57 | 68 |
| | | Max | 67,2 | 71,0 | 64,0 | 63,8 | 63,5 | 58,0 | 56,4 | 59 | 70 |
| | Lwa | Min | 60,6 | 64,0 | 62,3 | 59,4 | 55,8 | 49,8 | 47,5 | 53 | 64 |
| | | Med | 65,7 | 69,9 | 67,2 | 64,7 | 61,0 | 56,2 | 54,6 | 59 | 70 |
| | | Max | 67,8 | 72,1 | 69,2 | 66,7 | 62,9 | 58,4 | 57,2 | 61 | 72 |
| 80 Pa | Lw | Min | 64,8 | 67,9 | 64,9 | 62,6 | 60,5 | 54,0 | 51,6 | 57 | 68 |
| | | Med | 69,9 | 73,9 | 69,7 | 67,9 | 65,7 | 60,3 | 58,6 | 62 | 73 |
| | | Max | 72,0 | 76,0 | 71,7 | 69,9 | 67,6 | 62,6 | 61,2 | 64 | 75 |
| | Lwi | Min | 47,0 | 47,4 | 39,4 | 34,3 | 26,1 | 14,0 | 6,3 | 31 | 42 |
| | | Med | 52,1 | 53,4 | 44,2 | 39,6 | 31,3 | 20,4 | 13,3 | 37 | 48 |
| | | Max | 54,2 | 55,5 | 46,2 | 41,7 | 33,2 | 22,7 | 15,9 | 39 | 50 |
| | Lwm | Min | 61,4 | 64,3 | 58,6 | 57,9 | 57,8 | 50,8 | 48,2 | 53 | 64 |
| | | Med | 66,5 | 70,3 | 63,5 | 63,2 | 63,0 | 57,1 | 55,2 | 58 | 69 |
| | | Max | 68,6 | 72,4 | 65,5 | 65,2 | 64,9 | 59,4 | 57,8 | 60 | 71 |
| | Lwa | Min | 62,0 | 65,4 | 63,7 | 60,8 | 57,2 | 51,2 | 49,0 | 55 | 66 |
| | | Med | 67,1 | 71,3 | 68,6 | 66,1 | 62,4 | 57,6 | 56,0 | 60 | 71 |
| | | Max | 69,2 | 73,5 | 70,6 | 68,1 | 64,3 | 59,8 | 58,6 | 62 | 73 |
| 120 Pa | Lw | Min | 66,2 | 69,4 | 66,3 | 64,0 | 61,9 | 55,4 | 53,0 | 58 | 69 |
| | | Med | 71,3 | 75,3 | 71,2 | 69,3 | 67,1 | 61,8 | 60,0 | 64 | 75 |
| | | Max | 73,4 | 77,4 | 73,2 | 71,3 | 69,0 | 64,0 | 62,6 | 66 | 77 |
| | Lwi | Min | 48,4 | 48,8 | 40,8 | 35,7 | 27,5 | 15,5 | 7,7 | 33 | 44 |
| | | Med | 53,5 | 54,8 | 45,6 | 41,0 | 32,7 | 21,8 | 14,7 | 38 | 49 |
| | | Max | 55,6 | 56,9 | 47,6 | 43,1 | 34,6 | 24,1 | 17,3 | 40 | 51 |
| | Lwm | Min | 62,8 | 65,7 | 60,0 | 59,3 | 59,2 | 52,2 | 49,6 | 54 | 65 |
| | | Med | 68,0 | 71,7 | 64,9 | 64,6 | 64,4 | 58,5 | 56,7 | 60 | 71 |
| | | Max | 70,0 | 73,8 | 66,9 | 66,6 | 66,3 | 60,8 | 59,2 | 62 | 73 |
| | Lwa | Min | 63,4 | 66,8 | 65,1 | 62,2 | 58,6 | 52,6 | 50,4 | 56 | 67 |
| | | Med | 68,5 | 72,8 | 70,0 | 67,5 | 63,8 | 59,0 | 57,4 | 61 | 72 |
| | | Max | 70,6 | 74,9 | 72,0 | 69,6 | 65,7 | 61,2 | 60,0 | 64 | 75 |

The sound levels refer to ceiling units without false ceiling, fan supply 220V.
 Sound pressure levels referred to 1 m from unit external surface.
 Measurement made with intake plenum and air filter mounted.
 n.m. = not measurable

Sound levels



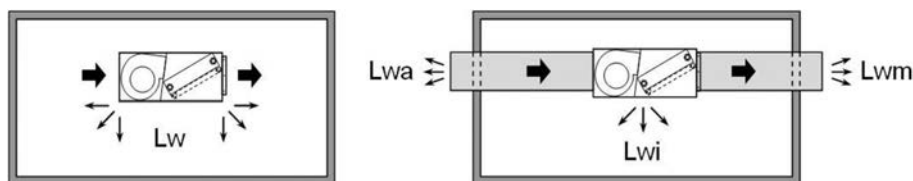
- Lw** Total sound power emitted by the unit
- Lwi** Radiated sound power, emitted by the lateral surfaces of the unit
- Lwm** Sound power emitted by the air supply side of the unit
- Lwa** Sound power emitted by the air intake side of the unit

Size 41 (CC2 - CC4) and 51 (CC2)

| Static pressure | Sound power | Fan speed | Sound power level (dB) | | | | | | | Sound pressure level | Sound Power Level |
|-----------------|-------------|-----------|------------------------|------|------|------|------|------|------|----------------------|-------------------|
| | | | Octave band (Hz) | | | | | | | | |
| | | | 125 | 250 | 500 | 1000 | 2000 | 4000 | 8000 | | |
| 0 Pa | Lw | Min | 63,0 | 66,1 | 63,1 | 60,8 | 57,7 | 51,7 | 49,8 | 55 | 66 |
| | | Med | 68,1 | 72,1 | 67,9 | 66,1 | 62,9 | 58,0 | 56,8 | 61 | 72 |
| | | Max | 70,2 | 74,2 | 69,9 | 68,1 | 64,8 | 60,3 | 59,4 | 63 | 74 |
| | Lwi | Min | 45,2 | 45,6 | 37,6 | 32,5 | 23,2 | 11,7 | n.m. | 29 | 40 |
| | | Med | 50,3 | 51,6 | 42,4 | 37,8 | 28,4 | 18,1 | 11,5 | 35 | 46 |
| | | Max | 52,4 | 53,7 | 44,4 | 39,9 | 30,4 | 20,4 | 14,1 | 37 | 48 |
| | Lwm | Min | 59,6 | 62,5 | 56,8 | 56,1 | 55,0 | 48,4 | 46,4 | 51 | 62 |
| | | Med | 64,7 | 68,5 | 61,6 | 61,4 | 60,2 | 54,8 | 53,4 | 56 | 67 |
| | | Max | 66,8 | 70,6 | 63,6 | 63,4 | 62,1 | 57,1 | 56,0 | 58 | 69 |
| | Lwa | Min | 60,2 | 63,6 | 61,9 | 59,0 | 54,3 | 48,9 | 47,1 | 53 | 64 |
| | | Med | 65,3 | 69,5 | 66,8 | 64,3 | 59,5 | 55,2 | 54,2 | 58 | 69 |
| | | Max | 67,4 | 71,7 | 68,8 | 66,3 | 61,5 | 57,5 | 56,8 | 60 | 71 |
| 40 Pa | Lw | Min | 64,4 | 67,5 | 64,5 | 62,2 | 59,1 | 53,1 | 51,2 | 56 | 67 |
| | | Med | 69,5 | 73,5 | 69,3 | 67,5 | 64,3 | 59,4 | 58,2 | 62 | 73 |
| | | Max | 71,6 | 75,6 | 71,3 | 69,5 | 66,2 | 61,7 | 60,8 | 64 | 75 |
| | Lwi | Min | 46,6 | 47,0 | 39,0 | 33,9 | 24,7 | 13,1 | 5,9 | 31 | 42 |
| | | Med | 51,7 | 53,0 | 43,8 | 39,2 | 29,8 | 19,5 | 12,9 | 36 | 47 |
| | | Max | 53,8 | 55,1 | 45,8 | 41,3 | 31,8 | 21,8 | 15,5 | 38 | 49 |
| | Lwm | Min | 61,0 | 63,9 | 58,2 | 57,5 | 56,4 | 49,8 | 47,8 | 52 | 63 |
| | | Med | 66,1 | 69,9 | 63,0 | 62,8 | 61,6 | 56,2 | 54,8 | 57 | 68 |
| | | Max | 68,2 | 72,0 | 65,0 | 64,8 | 63,5 | 58,5 | 57,4 | 59 | 70 |
| | Lwa | Min | 61,6 | 65,0 | 63,3 | 60,4 | 55,8 | 50,3 | 48,5 | 54 | 65 |
| | | Med | 66,7 | 70,9 | 68,2 | 65,7 | 61,0 | 56,7 | 55,6 | 59 | 70 |
| | | Max | 68,8 | 73,1 | 70,2 | 67,7 | 62,9 | 58,9 | 58,2 | 62 | 73 |
| 80 Pa | Lw | Min | 65,8 | 68,9 | 65,9 | 63,6 | 60,5 | 54,5 | 52,6 | 58 | 69 |
| | | Med | 70,9 | 74,9 | 70,7 | 68,9 | 65,7 | 60,8 | 59,6 | 63 | 74 |
| | | Max | 73,0 | 77,0 | 72,7 | 70,9 | 67,6 | 63,1 | 62,2 | 65 | 76 |
| | Lwi | Min | 48,0 | 48,4 | 40,4 | 35,3 | 26,1 | 14,5 | 7,3 | 32 | 43 |
| | | Med | 53,1 | 54,4 | 45,2 | 40,6 | 31,3 | 20,9 | 14,3 | 38 | 49 |
| | | Max | 55,2 | 56,5 | 47,2 | 42,7 | 33,2 | 23,2 | 16,9 | 40 | 51 |
| | Lwm | Min | 62,4 | 65,3 | 59,6 | 58,9 | 57,8 | 51,3 | 49,2 | 53 | 64 |
| | | Med | 67,5 | 71,3 | 64,5 | 64,2 | 63,0 | 57,6 | 56,2 | 59 | 70 |
| | | Max | 69,6 | 73,4 | 66,5 | 66,2 | 64,9 | 59,9 | 58,8 | 61 | 72 |
| | Lwa | Min | 63,0 | 66,4 | 64,7 | 61,8 | 57,2 | 51,7 | 50,0 | 56 | 67 |
| | | Med | 68,1 | 72,3 | 69,6 | 67,1 | 62,4 | 58,1 | 57,0 | 61 | 72 |
| | | Max | 70,2 | 74,5 | 71,6 | 69,1 | 64,3 | 59,6 | 59,6 | 63 | 74 |
| 120 Pa | Lw | Min | 67,2 | 70,4 | 67,3 | 65,0 | 61,9 | 55,9 | 54,0 | 59 | 70 |
| | | Med | 72,3 | 76,3 | 72,2 | 70,3 | 67,1 | 62,3 | 61,0 | 64 | 75 |
| | | Max | 74,4 | 78,4 | 74,2 | 72,3 | 69,0 | 64,5 | 63,6 | 66 | 77 |
| | Lwi | Min | 49,4 | 49,8 | 41,8 | 36,7 | 27,5 | 16,0 | 8,7 | 34 | 45 |
| | | Med | 54,5 | 55,8 | 46,6 | 42,0 | 32,7 | 22,3 | 15,7 | 39 | 50 |
| | | Max | 56,6 | 57,9 | 48,6 | 44,1 | 34,6 | 24,6 | 18,3 | 41 | 52 |
| | Lwm | Min | 63,8 | 66,7 | 61,0 | 60,3 | 59,2 | 52,7 | 50,6 | 55 | 66 |
| | | Med | 69,0 | 72,7 | 65,9 | 65,6 | 64,4 | 59,0 | 57,7 | 60 | 71 |
| | | Max | 71,0 | 74,8 | 67,9 | 67,6 | 66,3 | 61,3 | 60,2 | 62 | 73 |
| | Lwa | Min | 64,4 | 67,8 | 66,1 | 63,2 | 58,6 | 53,1 | 51,4 | 57 | 68 |
| | | Med | 69,5 | 73,8 | 71,0 | 68,5 | 63,8 | 59,5 | 58,4 | 62 | 73 |
| | | Max | 71,6 | 75,9 | 73,0 | 70,6 | 65,7 | 61,7 | 61,0 | 64 | 75 |

The sound levels refer to ceiling units without false ceiling, fan supply 220V.
 Sound pressure levels referred to 1 m from unit external surface.
 Measurement made with intake plenum and air filter mounted.
 n.m. = not measurable

Sound levels



- Lw** Total sound power emitted by the unit
- Lwi** Radiated sound power, emitted by the lateral surfaces of the unit
- Lwm** Sound power emitted by the air supply side of the unit
- Lwa** Sound power emitted by the air intake side of the unit

Size 51 (CC4)

| Static pressure | Sound power | Fan speed | Sound power level (dB) | | | | | | | Sound pressure level | Sound Power Level |
|-----------------|-------------|-----------|------------------------|------|------|------|------|------|------|----------------------|-------------------|
| | | | Octave band (Hz) | | | | | | | | |
| | | | 125 | 250 | 500 | 1000 | 2000 | 4000 | 8000 | | |
| 0 Pa | Lw | Min | 59,8 | 61,0 | 59,4 | 56,5 | 53,6 | 46,6 | 39,9 | 51 | 62 |
| | | Med | 66,5 | 68,7 | 65,8 | 63,7 | 60,8 | 55,6 | 51,5 | 58 | 69 |
| | | Max | 69,5 | 71,9 | 69,1 | 67,0 | 63,7 | 59,2 | 55,5 | 61 | 72 |
| | Lwi | Min | 42,0 | 40,5 | 33,9 | 28,3 | 19,1 | 6,7 | n.m. | 25 | 36 |
| | | Med | 48,7 | 48,1 | 40,3 | 35,4 | 26,4 | 15,6 | 6,2 | 32 | 43 |
| | | Max | 51,7 | 51,4 | 43,6 | 38,7 | 29,3 | 19,2 | 10,2 | 35 | 46 |
| | Lwm | Min | 56,3 | 57,3 | 53,0 | 51,6 | 50,7 | 43,3 | 36,4 | 46 | 57 |
| | | Med | 63,0 | 64,9 | 59,4 | 58,8 | 57,9 | 52,2 | 48,0 | 53 | 64 |
| | | Max | 66,0 | 68,2 | 62,7 | 62,1 | 60,9 | 55,8 | 52,0 | 57 | 68 |
| | Lwa | Min | 57,1 | 58,6 | 58,3 | 54,8 | 50,4 | 44,0 | 37,3 | 49 | 60 |
| | | Med | 63,8 | 66,2 | 64,7 | 62,0 | 57,6 | 52,9 | 48,9 | 56 | 67 |
| | | Max | 66,8 | 69,5 | 68,0 | 65,2 | 60,6 | 56,5 | 52,9 | 59 | 70 |
| 40 Pa | Lw | Min | 61,3 | 62,6 | 61,0 | 58,1 | 55,1 | 48,2 | 41,5 | 52 | 63 |
| | | Med | 68,1 | 70,2 | 67,4 | 65,2 | 62,3 | 57,1 | 53,0 | 59 | 70 |
| | | Max | 71,0 | 73,5 | 70,6 | 68,5 | 65,3 | 60,7 | 57,0 | 62 | 73 |
| | Lwi | Min | 43,5 | 42,1 | 35,5 | 29,8 | 20,7 | 8,2 | n.m. | 26 | 37 |
| | | Med | 50,2 | 49,7 | 41,8 | 37,0 | 27,9 | 17,2 | 7,7 | 34 | 45 |
| | | Max | 53,2 | 52,9 | 45,1 | 40,2 | 30,8 | 20,7 | 11,7 | 37 | 48 |
| | Lwm | Min | 57,8 | 58,8 | 54,6 | 53,2 | 52,2 | 44,8 | 38,0 | 48 | 59 |
| | | Med | 64,6 | 66,4 | 61,0 | 60,3 | 59,5 | 53,7 | 49,5 | 55 | 66 |
| | | Max | 67,5 | 69,7 | 64,2 | 63,6 | 62,4 | 57,3 | 53,5 | 58 | 69 |
| | Lwa | Min | 58,6 | 60,1 | 59,8 | 56,3 | 51,9 | 45,5 | 38,9 | 50 | 61 |
| | | Med | 65,4 | 67,8 | 66,2 | 63,5 | 59,2 | 54,4 | 50,4 | 57 | 68 |
| | | Max | 68,3 | 71,0 | 69,5 | 66,8 | 62,1 | 58,0 | 54,4 | 60 | 71 |
| 80 Pa | Lw | Min | 62,9 | 64,1 | 62,5 | 59,6 | 56,6 | 49,7 | 43,0 | 54 | 65 |
| | | Med | 69,6 | 71,7 | 68,9 | 66,8 | 63,9 | 58,6 | 54,5 | 61 | 72 |
| | | Max | 72,6 | 75,0 | 72,2 | 70,0 | 66,8 | 62,2 | 58,5 | 64 | 75 |
| | Lwi | Min | 45,1 | 43,6 | 37,0 | 31,3 | 22,2 | 9,7 | n.m. | 28 | 39 |
| | | Med | 51,8 | 51,2 | 43,4 | 38,5 | 29,4 | 18,7 | 9,2 | 35 | 46 |
| | | Max | 54,7 | 54,5 | 46,7 | 41,8 | 32,3 | 22,3 | 13,2 | 38 | 49 |
| | Lwm | Min | 59,4 | 60,4 | 56,1 | 54,7 | 53,8 | 46,3 | 39,5 | 49 | 60 |
| | | Med | 66,1 | 68,0 | 62,5 | 61,9 | 61,0 | 55,3 | 51,0 | 56 | 67 |
| | | Max | 69,1 | 71,2 | 65,8 | 65,1 | 63,9 | 58,9 | 55,1 | 60 | 71 |
| | Lwa | Min | 60,2 | 61,7 | 61,4 | 57,9 | 53,5 | 47,0 | 40,4 | 52 | 63 |
| | | Med | 66,9 | 69,3 | 67,8 | 65,0 | 60,7 | 56,0 | 51,9 | 59 | 70 |
| | | Max | 69,9 | 72,5 | 71,0 | 68,3 | 63,6 | 59,5 | 56,0 | 62 | 73 |
| 120 Pa | Lw | Min | 64,4 | 65,6 | 64,0 | 61,1 | 58,2 | 51,2 | 44,5 | 55 | 66 |
| | | Med | 71,1 | 73,3 | 70,4 | 68,3 | 65,4 | 60,2 | 56,1 | 62 | 73 |
| | | Max | 74,1 | 76,5 | 73,7 | 71,6 | 68,3 | 63,8 | 60,1 | 66 | 77 |
| | Lwi | Min | 46,6 | 45,1 | 38,5 | 32,9 | 23,7 | 11,3 | n.m. | 30 | 41 |
| | | Med | 53,3 | 52,7 | 44,9 | 40,0 | 31,0 | 20,2 | 10,8 | 37 | 48 |
| | | Max | 56,3 | 56,0 | 48,2 | 43,3 | 33,9 | 23,8 | 14,8 | 40 | 51 |
| | Lwm | Min | 60,9 | 61,9 | 57,6 | 56,2 | 55,3 | 47,9 | 41,0 | 51 | 62 |
| | | Med | 67,6 | 69,5 | 64,0 | 63,4 | 62,5 | 56,8 | 52,6 | 58 | 69 |
| | | Max | 70,6 | 72,8 | 67,3 | 66,7 | 65,5 | 60,4 | 56,6 | 61 | 72 |
| | Lwa | Min | 61,7 | 63,2 | 62,9 | 59,4 | 55,0 | 48,6 | 41,9 | 53 | 64 |
| | | Med | 68,4 | 70,8 | 69,3 | 66,6 | 62,2 | 57,5 | 53,5 | 60 | 71 |
| | | Max | 71,4 | 74,1 | 72,6 | 69,8 | 65,2 | 61,1 | 57,5 | 64 | 75 |

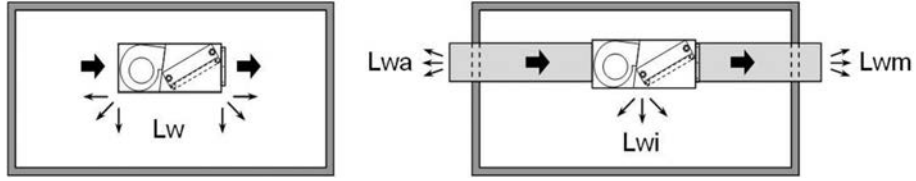
The sound levels refer to ceiling units without false ceiling, fan supply 220V.

Sound pressure levels referred to 1 m from unit external surface.

Measurement made with intake plenum and air filter mounted.

n.m. = not measurable

Sound levels



- Lw** Total sound power emitted by the unit
- Lwi** Radiated sound power, emitted by the lateral surfaces of the unit
- Lwm** Sound power emitted by the air supply side of the unit
- Lwa** Sound power emitted by the air intake side of the unit

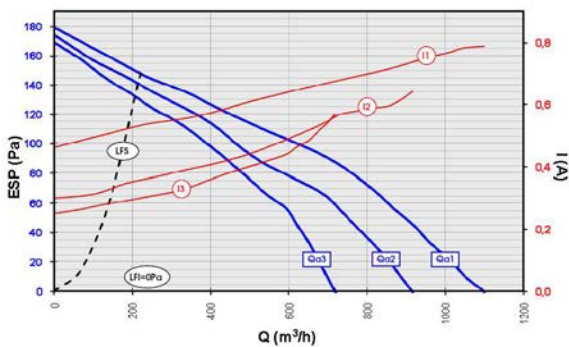
Size 61 (CC2 - CC4) and 71 (CC2)

| Static pressure | Sound power | Fan speed | Sound power level (dB) | | | | | | | Sound pressure level | Sound Power Level |
|-----------------|-------------|-----------|------------------------|------|------|------|------|------|------|----------------------|-------------------|
| | | | Octave band (Hz) | | | | | | | | |
| | | | 125 | 250 | 500 | 1000 | 2000 | 4000 | 8000 | | |
| 0 Pa | Lw | Min | 60,8 | 62,0 | 60,4 | 57,5 | 54,6 | 47,6 | 40,9 | 52 | 63 |
| | | Med | 67,5 | 69,7 | 66,8 | 64,7 | 61,8 | 56,6 | 52,5 | 59 | 70 |
| | | Max | 70,5 | 72,9 | 70,1 | 68,0 | 64,7 | 60,2 | 56,5 | 62 | 73 |
| | Lwi | Min | 43,0 | 41,5 | 34,9 | 29,3 | 20,1 | 7,7 | n.m. | 26 | 37 |
| | | Med | 49,7 | 49,1 | 41,3 | 36,4 | 27,4 | 16,6 | 7,2 | 33 | 44 |
| | | Max | 52,7 | 52,4 | 44,6 | 39,7 | 30,3 | 20,2 | 11,2 | 36 | 47 |
| | Lwm | Min | 57,3 | 58,3 | 54,0 | 52,6 | 51,7 | 44,3 | 37,4 | 47 | 58 |
| | | Med | 64,0 | 65,9 | 60,4 | 59,8 | 58,9 | 53,2 | 49,0 | 54 | 65 |
| | | Max | 67,0 | 69,2 | 63,7 | 63,1 | 61,9 | 56,8 | 53,0 | 58 | 69 |
| | Lwa | Min | 58,1 | 59,6 | 59,3 | 55,8 | 51,4 | 45,0 | 38,3 | 50 | 61 |
| | | Med | 64,8 | 67,2 | 65,7 | 63,0 | 58,6 | 53,9 | 49,9 | 57 | 68 |
| | | Max | 67,8 | 70,5 | 69,0 | 66,2 | 61,6 | 57,5 | 53,9 | 60 | 71 |
| 40 Pa | Lw | Min | 62,3 | 63,6 | 62,0 | 59,1 | 56,1 | 49,2 | 42,5 | 53 | 64 |
| | | Med | 69,1 | 71,2 | 68,4 | 66,2 | 63,3 | 58,1 | 54,0 | 60 | 71 |
| | | Max | 72,0 | 74,5 | 71,6 | 69,5 | 66,3 | 61,7 | 58,0 | 63 | 74 |
| | Lwi | Min | 44,5 | 43,1 | 36,5 | 30,8 | 21,7 | 9,2 | n.m. | 27 | 38 |
| | | Med | 51,2 | 50,7 | 42,8 | 38,0 | 28,9 | 18,2 | 8,7 | 35 | 46 |
| | | Max | 54,2 | 53,9 | 46,1 | 41,2 | 31,8 | 21,7 | 12,7 | 38 | 49 |
| | Lwm | Min | 58,8 | 59,8 | 55,6 | 54,2 | 53,2 | 45,8 | 39,0 | 49 | 60 |
| | | Med | 65,6 | 67,4 | 62,0 | 61,3 | 60,5 | 54,7 | 50,5 | 56 | 67 |
| | | Max | 68,5 | 70,7 | 65,2 | 64,6 | 63,4 | 58,3 | 54,5 | 59 | 70 |
| | Lwa | Min | 59,6 | 61,1 | 60,8 | 57,3 | 52,9 | 46,5 | 39,9 | 51 | 62 |
| | | Med | 66,4 | 68,8 | 67,2 | 64,5 | 60,2 | 55,4 | 51,4 | 58 | 69 |
| | | Max | 69,3 | 72,0 | 70,5 | 67,8 | 63,1 | 59,0 | 55,4 | 61 | 72 |
| 80 Pa | Lw | Min | 63,9 | 65,1 | 63,5 | 60,6 | 57,6 | 50,7 | 44,0 | 55 | 66 |
| | | Med | 70,6 | 72,7 | 69,9 | 67,8 | 64,9 | 59,6 | 55,5 | 62 | 73 |
| | | Max | 73,6 | 76,0 | 73,2 | 71,0 | 67,8 | 63,2 | 59,5 | 65 | 76 |
| | Lwi | Min | 46,1 | 44,6 | 38,0 | 32,3 | 23,2 | 10,7 | n.m. | 29 | 40 |
| | | Med | 52,8 | 52,2 | 44,4 | 39,5 | 30,4 | 19,7 | 10,2 | 36 | 47 |
| | | Max | 55,7 | 55,5 | 47,7 | 42,8 | 33,3 | 23,3 | 14,2 | 39 | 50 |
| | Lwm | Min | 60,4 | 61,4 | 57,1 | 55,7 | 54,8 | 47,3 | 40,5 | 50 | 61 |
| | | Med | 67,1 | 69,0 | 63,5 | 62,9 | 62,0 | 56,3 | 52,0 | 57 | 68 |
| | | Max | 70,1 | 72,2 | 66,8 | 66,1 | 64,9 | 59,9 | 56,1 | 61 | 72 |
| | Lwa | Min | 61,2 | 62,7 | 62,4 | 58,9 | 54,5 | 48,0 | 41,4 | 53 | 64 |
| | | Med | 67,9 | 70,3 | 68,8 | 66,0 | 61,7 | 57,0 | 52,9 | 60 | 71 |
| | | Max | 70,9 | 73,5 | 72,0 | 69,3 | 64,6 | 60,5 | 57,0 | 63 | 74 |
| 120 Pa | Lw | Min | 65,4 | 66,6 | 65,0 | 62,1 | 59,2 | 52,2 | 45,5 | 56 | 67 |
| | | Med | 72,1 | 74,3 | 71,4 | 69,3 | 66,4 | 61,2 | 57,1 | 63 | 74 |
| | | Max | 75,1 | 77,5 | 74,7 | 72,6 | 69,3 | 64,8 | 61,1 | 67 | 78 |
| | Lwi | Min | 47,6 | 46,1 | 39,5 | 33,9 | 24,7 | 12,3 | n.m. | 31 | 42 |
| | | Med | 54,3 | 53,7 | 45,9 | 41,0 | 32,0 | 21,2 | 11,8 | 38 | 49 |
| | | Max | 57,3 | 57,0 | 49,2 | 44,3 | 34,9 | 24,8 | 15,8 | 41 | 52 |
| | Lwm | Min | 61,9 | 62,9 | 58,6 | 57,2 | 56,3 | 48,9 | 42,0 | 52 | 63 |
| | | Med | 68,6 | 70,5 | 65,0 | 64,4 | 63,5 | 57,8 | 53,6 | 59 | 70 |
| | | Max | 71,6 | 73,8 | 68,3 | 67,7 | 66,5 | 61,4 | 57,6 | 62 | 73 |
| | Lwa | Min | 62,7 | 64,2 | 63,9 | 60,4 | 56,0 | 49,6 | 42,9 | 54 | 65 |
| | | Med | 69,4 | 71,8 | 70,3 | 67,6 | 63,2 | 58,5 | 54,5 | 61 | 72 |
| | | Max | 72,4 | 75,1 | 73,6 | 70,8 | 66,2 | 62,1 | 58,5 | 65 | 76 |

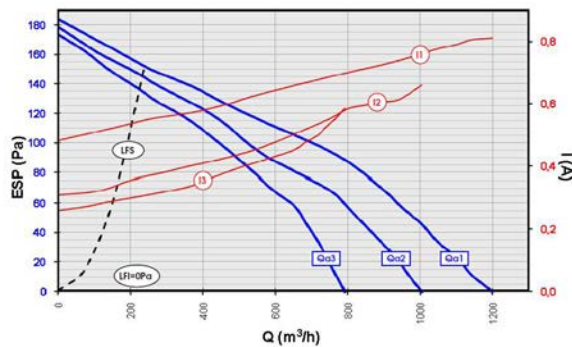
The sound levels refer to ceiling units without false ceiling, fan supply 220V.
 Sound pressure levels referred to 1 m from unit external surface.
 Measurement made with intake plenum and air filter mounted.
 n.m. = not measurable

Aeraulic performance graphics - 2 pipe system (CC2)

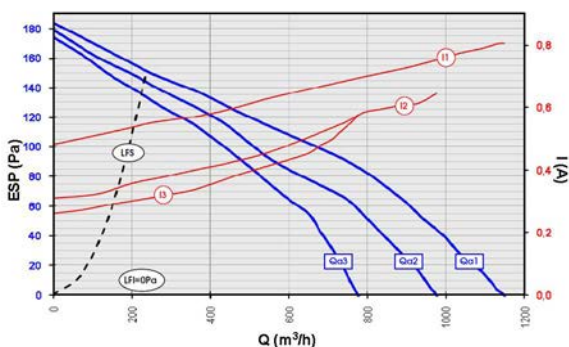
size 15



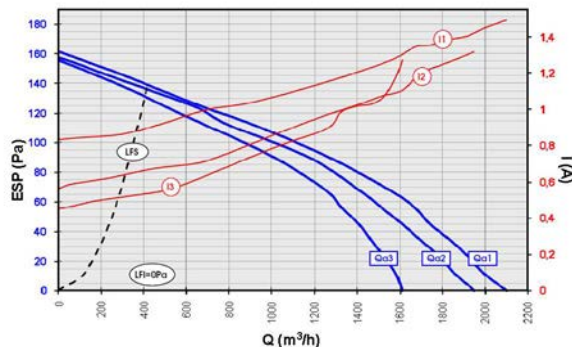
size 21



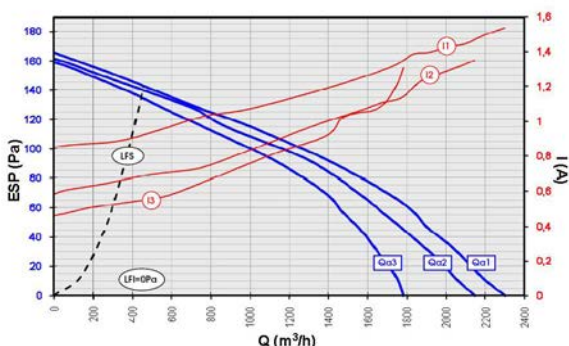
size 25



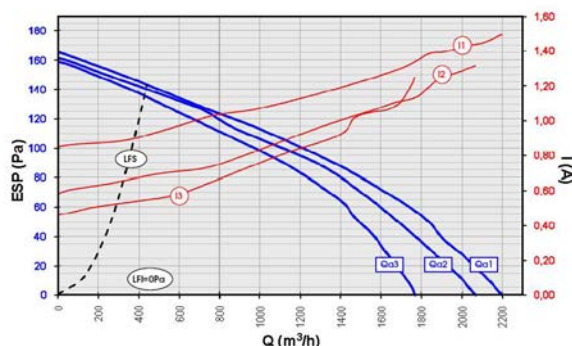
size 31



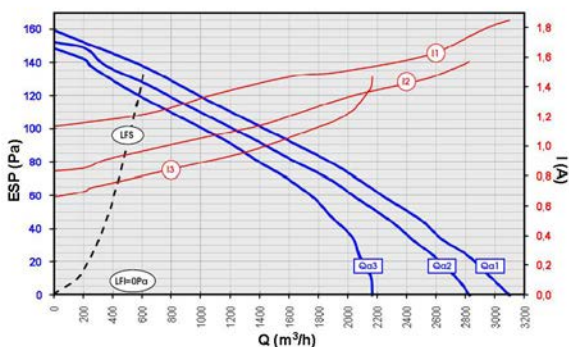
size 41



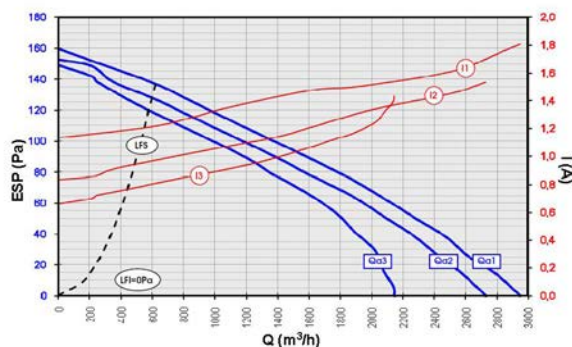
size 51



size 61



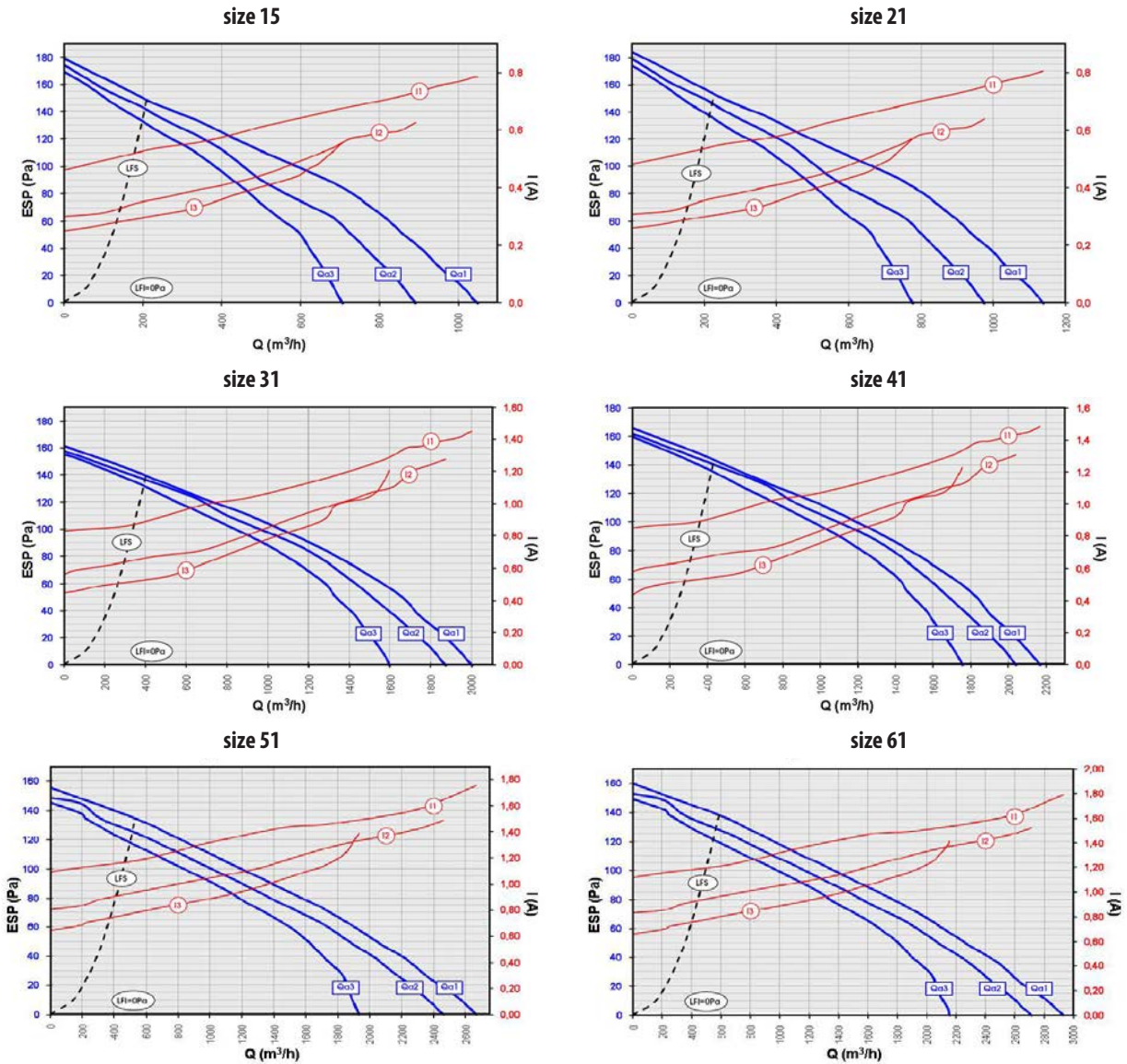
size 71



Q = Air flow [m³/h]
 ESP = External static pressure (Pa)
 I (A) - Full load current (A) with 230V-1Ph-50Hz power supply
 LFS = Higher operating limit
 LFI = Lower operating limit

Qa1 = Air flow / Static pressure curve at MAX speed
 Qa2 = Air flow / Static pressure curve at MID speed
 Qa3 = Air flow / Static pressure curve at MIN speed
 I1 = Air flow / Full load current curve at MAX speed
 I2 = Air flow / Full load current curve at MID speed
 I3 = Air flow / Full load current curve at MIN speed

Aeraulic performance graphics - 4 pipe system (CC4)



Q = Air flow [m³/h]
 ESP = External static pressure (Pa)
 I (A) - Full load current (A) with 230V-1Ph-50Hz power supply
 LFS = Higher operating limit
 LFI = Lower operating limit

Qa1 = Air flow / Static pressure curve at MAX speed
 Qa2 = Air flow / Static pressure curve at MID speed
 Qa3 = Air flow / Static pressure curve at MIN speed
 I1 = Air flow / Full load current curve at MAX speed
 I2 = Air flow / Full load current curve at MID speed
 I3 = Air flow / Full load current curve at MIN speed

Performance - 2 pipe system (CC2)

Cooling

| Sizes | Ta (°C) D.B. / W.B | Inlet exchanger water temperature (°C) | | | | | | | | | |
|-------|-----------------------|--|--------------------|----------------|--------------------|----------------|--------------------|----------------|--------------------|----------------|--------------------|
| | | 5 | | 7 | | 10 | | 13 | | 15 | |
| | | Total capacity | Sensible capacity | Total capacity | Sensible capacity | Total capacity | Sensible capacity | Total capacity | Sensible capacity | Total capacity | Sensible capacity |
| | | [kWf] | [kW _s] | [kWf] | [kW _s] | [kWf] | [kW _s] | [kWf] | [kW _s] | [kWf] | [kW _s] |
| 15 | 22 / 16 | 5,38 | 3,79 | 4,11 | 3,26 | 2,48 | 2,48 | 1,70 | 1,70 | 1,18 | 1,18 |
| | 24 / 17 | 6,01 | 4,31 | 4,74 | 3,79 | 3,00 | 3,00 | 2,22 | 2,22 | 1,70 | 1,70 |
| | 26 / 18 | 6,64 | 4,83 | 5,38 | 4,31 | 3,53 | 3,53 | 2,74 | 2,74 | 2,22 | 2,22 |
| | 27 / 19 | 7,28 | 5,09 | 6,01 | 4,57 | 4,11 | 3,79 | 3,00 | 3,00 | 2,48 | 2,48 |
| | 28 / 20 | 7,91 | 5,35 | 6,64 | 4,83 | 4,74 | 4,05 | 3,26 | 3,26 | 2,74 | 2,74 |
| | 30 / 22 | 9,17 | 5,88 | 7,91 | 5,35 | 6,01 | 4,57 | 4,11 | 3,79 | 3,26 | 3,26 |
| 21 | 22 / 16 | 6,69 | 4,61 | 5,12 | 3,97 | 3,02 | 3,02 | 2,07 | 2,07 | 1,43 | 1,43 |
| | 24 / 17 | 7,48 | 5,24 | 5,91 | 4,61 | 3,65 | 3,65 | 2,70 | 2,70 | 2,07 | 2,07 |
| | 26 / 18 | 8,27 | 5,88 | 6,69 | 5,24 | 4,33 | 4,29 | 3,34 | 3,34 | 2,70 | 2,70 |
| | 27 / 19 | 9,05 | 6,20 | 7,48 | 5,56 | 5,12 | 4,61 | 3,65 | 3,65 | 3,02 | 3,02 |
| | 28 / 20 | 9,84 | 6,51 | 8,27 | 5,88 | 5,91 | 4,92 | 3,97 | 3,97 | 3,34 | 3,34 |
| | 30 / 22 | 11,42 | 7,15 | 9,84 | 6,51 | 7,48 | 5,56 | 5,12 | 4,61 | 3,97 | 3,97 |
| 25 | 22 / 16 | 7,69 | 5,10 | 5,88 | 4,40 | 3,34 | 3,34 | 2,29 | 2,29 | 1,58 | 1,58 |
| | 24 / 17 | 8,59 | 5,81 | 6,78 | 5,10 | 4,07 | 4,05 | 2,99 | 2,99 | 2,29 | 2,29 |
| | 26 / 18 | 9,49 | 6,51 | 7,69 | 5,81 | 4,97 | 4,75 | 3,70 | 3,70 | 2,99 | 2,99 |
| | 27 / 19 | 10,40 | 6,86 | 8,59 | 6,16 | 5,88 | 5,10 | 4,05 | 4,05 | 3,34 | 3,34 |
| | 28 / 20 | 11,30 | 7,22 | 9,49 | 6,51 | 6,78 | 5,46 | 4,40 | 4,40 | 3,70 | 3,70 |
| | 30 / 22 | 13,11 | 7,92 | 11,30 | 7,22 | 8,59 | 6,16 | 5,88 | 5,10 | 4,40 | 4,40 |
| 31 | 22 / 16 | 9,22 | 6,71 | 7,05 | 5,79 | 4,40 | 4,40 | 3,01 | 3,01 | 2,08 | 2,08 |
| | 24 / 17 | 10,30 | 7,64 | 8,13 | 6,71 | 5,32 | 5,32 | 3,93 | 3,93 | 3,01 | 3,01 |
| | 26 / 18 | 11,38 | 8,56 | 9,22 | 7,64 | 6,25 | 6,25 | 4,86 | 4,86 | 3,93 | 3,93 |
| | 27 / 19 | 12,47 | 9,03 | 10,30 | 8,10 | 7,05 | 6,71 | 5,32 | 5,32 | 4,40 | 4,40 |
| | 28 / 20 | 13,55 | 9,49 | 11,38 | 8,56 | 8,13 | 7,17 | 5,79 | 5,79 | 4,86 | 4,86 |
| | 30 / 22 | 15,72 | 10,41 | 13,55 | 9,49 | 10,30 | 8,10 | 7,05 | 6,71 | 5,79 | 5,79 |
| 41 | 22 / 16 | 11,54 | 8,24 | 8,83 | 7,11 | 5,40 | 5,40 | 3,70 | 3,70 | 2,56 | 2,56 |
| | 24 / 17 | 12,90 | 9,38 | 10,18 | 8,24 | 6,54 | 6,54 | 4,83 | 4,83 | 3,70 | 3,70 |
| | 26 / 18 | 14,26 | 10,52 | 11,54 | 9,38 | 7,68 | 7,68 | 5,97 | 5,97 | 4,83 | 4,83 |
| | 27 / 19 | 15,62 | 11,09 | 12,90 | 9,95 | 8,83 | 8,24 | 6,54 | 6,54 | 5,40 | 5,40 |
| | 28 / 20 | 16,97 | 11,66 | 14,26 | 10,52 | 10,18 | 8,81 | 7,11 | 7,11 | 5,97 | 5,97 |
| | 30 / 22 | 19,69 | 12,79 | 16,97 | 11,66 | 12,90 | 9,95 | 8,83 | 8,24 | 7,11 | 7,11 |
| 51 | 22 / 16 | 13,42 | 9,20 | 10,26 | 7,93 | 6,03 | 6,03 | 4,12 | 4,12 | 2,85 | 2,85 |
| | 24 / 17 | 15,00 | 10,47 | 11,84 | 9,20 | 7,29 | 7,29 | 5,39 | 5,39 | 4,12 | 4,12 |
| | 26 / 18 | 16,58 | 11,73 | 13,42 | 10,47 | 8,68 | 8,56 | 6,66 | 6,66 | 5,39 | 5,39 |
| | 27 / 19 | 18,16 | 12,37 | 15,00 | 11,10 | 10,26 | 9,20 | 7,29 | 7,29 | 6,03 | 6,03 |
| | 28 / 20 | 19,74 | 13,00 | 16,58 | 11,73 | 11,84 | 9,83 | 7,93 | 7,93 | 6,66 | 6,66 |
| | 30 / 22 | 22,89 | 14,27 | 19,74 | 13,00 | 15,00 | 11,10 | 10,26 | 9,20 | 7,93 | 7,93 |
| 61 | 22 / 16 | 15,39 | 11,02 | 11,77 | 9,50 | 7,22 | 7,22 | 4,94 | 4,94 | 3,42 | 3,42 |
| | 24 / 17 | 17,20 | 12,54 | 13,58 | 11,02 | 8,74 | 8,74 | 6,46 | 6,46 | 4,94 | 4,94 |
| | 26 / 18 | 19,01 | 14,06 | 15,39 | 12,54 | 10,26 | 10,26 | 7,98 | 7,98 | 6,46 | 6,46 |
| | 27 / 19 | 20,82 | 14,82 | 17,20 | 13,30 | 11,77 | 11,02 | 8,74 | 8,74 | 7,22 | 7,22 |
| | 28 / 20 | 22,63 | 15,58 | 19,01 | 14,06 | 13,58 | 11,78 | 9,50 | 9,50 | 7,98 | 7,98 |
| | 30 / 22 | 26,25 | 17,10 | 22,63 | 15,58 | 17,20 | 13,30 | 11,77 | 11,02 | 9,50 | 9,50 |
| 71 | 22 / 16 | 18,07 | 12,35 | 13,82 | 10,64 | 8,09 | 8,09 | 5,53 | 5,53 | 3,83 | 3,83 |
| | 24 / 17 | 20,20 | 14,05 | 15,95 | 12,35 | 9,79 | 9,79 | 7,24 | 7,24 | 5,53 | 5,53 |
| | 26 / 18 | 22,33 | 15,75 | 18,07 | 14,05 | 11,69 | 11,49 | 8,94 | 8,94 | 7,24 | 7,24 |
| | 27 / 19 | 24,45 | 16,60 | 20,20 | 14,90 | 13,82 | 12,35 | 9,79 | 9,79 | 8,09 | 8,09 |
| | 28 / 20 | 26,58 | 17,45 | 22,33 | 15,75 | 15,95 | 13,20 | 10,64 | 10,64 | 8,94 | 8,94 |
| | 30 / 22 | 30,83 | 19,16 | 26,58 | 17,45 | 20,20 | 14,90 | 13,82 | 12,35 | 10,64 | 10,64 |

Technical data referred to the following conditions:
 Nominal air flow at Max speed and with ESP = 0Pa
 Ta = Air intake temperature
 Water temperature differential = 5°C

W.B. = Wet bulb
 D.B. = Dry bulb
 kWf = Cooling capacity (kW)
 kW_s = Sensible capacity (kW)

Performance - 2 pipe system (CC2)

Heating

| Sizes | Ta (°C) | Inlet exchanger water temperature (°C) | | | | | | | |
|-------|---------|--|----------------|----------------|----------------|----------------|----------------|----------------|----------------|
| | | 35 | 40 | 45 | 50 | 55 | 60 | 70 | 80 |
| | | Total capacity | Total capacity | Total capacity | Total capacity | Total capacity | Total capacity | Total capacity | Total capacity |
| | | [kWt] | [kWt] | [kWt] | [kWt] | [kWt] | [kWt] | [kWt] | [kWt] |
| 15 | 10 | 6,55 | 8,01 | 9,46 | 10,92 | 12,37 | 13,83 | 16,74 | 19,65 |
| | 15 | 5,09 | 6,55 | 8,01 | 9,46 | 10,92 | 12,37 | 15,28 | 18,19 |
| | 18 | 4,22 | 5,68 | 7,13 | 8,59 | 10,04 | 11,50 | 14,41 | 17,32 |
| | 20 | 3,64 | 5,09 | 6,55 | 8,01 | 9,46 | 10,92 | 13,83 | 16,74 |
| | 22 | 3,06 | 4,51 | 5,97 | 7,42 | 8,88 | 10,33 | 13,25 | 16,16 |
| 21 | 25 | 2,18 | 3,64 | 5,09 | 6,55 | 8,01 | 9,46 | 12,37 | 15,28 |
| | 10 | 7,90 | 9,66 | 11,41 | 13,17 | 14,92 | 16,68 | 20,19 | 23,70 |
| | 15 | 6,14 | 7,90 | 9,66 | 11,41 | 13,17 | 14,92 | 18,43 | 21,94 |
| | 18 | 5,09 | 6,85 | 8,60 | 10,36 | 12,11 | 13,87 | 17,38 | 20,89 |
| | 20 | 4,39 | 6,14 | 7,90 | 9,66 | 11,41 | 13,17 | 16,68 | 20,19 |
| 25 | 22 | 3,69 | 5,44 | 7,20 | 8,95 | 10,71 | 12,46 | 15,98 | 19,49 |
| | 25 | 2,63 | 4,39 | 6,14 | 7,90 | 9,66 | 11,41 | 14,92 | 18,43 |
| | 10 | 8,30 | 10,14 | 11,99 | 13,83 | 15,68 | 17,52 | 21,21 | 24,90 |
| | 15 | 6,46 | 8,30 | 10,14 | 11,99 | 13,83 | 15,68 | 19,37 | 23,06 |
| | 18 | 5,35 | 7,19 | 9,04 | 10,88 | 12,73 | 14,57 | 18,26 | 21,95 |
| 31 | 20 | 4,61 | 6,46 | 8,30 | 10,14 | 11,99 | 13,83 | 17,52 | 21,21 |
| | 22 | 3,87 | 5,72 | 7,56 | 9,41 | 11,25 | 13,10 | 16,78 | 20,47 |
| | 25 | 2,77 | 4,61 | 6,46 | 8,30 | 10,14 | 11,99 | 15,68 | 19,37 |
| | 10 | 11,70 | 14,30 | 16,90 | 19,50 | 22,10 | 24,70 | 29,90 | 35,10 |
| | 15 | 9,10 | 11,70 | 14,30 | 16,90 | 19,50 | 22,10 | 27,30 | 32,50 |
| 41 | 18 | 7,54 | 10,14 | 12,74 | 15,34 | 17,94 | 20,54 | 25,74 | 30,94 |
| | 20 | 6,50 | 9,10 | 11,70 | 14,30 | 16,90 | 19,50 | 24,70 | 29,90 |
| | 22 | 5,46 | 8,06 | 10,66 | 13,26 | 15,86 | 18,46 | 23,66 | 28,86 |
| | 25 | 3,90 | 6,50 | 9,10 | 11,70 | 14,30 | 16,90 | 22,10 | 27,30 |
| | 10 | 14,40 | 17,60 | 20,80 | 24,00 | 27,20 | 30,40 | 36,80 | 43,20 |
| 51 | 15 | 11,20 | 14,40 | 17,60 | 20,80 | 24,00 | 27,20 | 33,60 | 40,00 |
| | 18 | 9,28 | 12,48 | 15,68 | 18,88 | 22,08 | 25,28 | 31,68 | 38,08 |
| | 20 | 8,00 | 11,20 | 14,40 | 17,60 | 20,80 | 24,00 | 30,40 | 36,80 |
| | 22 | 6,72 | 9,92 | 13,12 | 16,32 | 19,52 | 22,72 | 29,12 | 35,52 |
| | 25 | 4,80 | 8,00 | 11,20 | 14,40 | 17,60 | 20,80 | 27,20 | 33,60 |
| 61 | 10 | 15,20 | 18,58 | 21,96 | 25,33 | 28,71 | 32,09 | 38,84 | 45,60 |
| | 15 | 11,82 | 15,20 | 18,58 | 21,96 | 25,33 | 28,71 | 35,47 | 42,22 |
| | 18 | 9,80 | 13,17 | 16,55 | 19,93 | 23,31 | 26,68 | 33,44 | 40,20 |
| | 20 | 8,44 | 11,82 | 15,20 | 18,58 | 21,96 | 25,33 | 32,09 | 38,84 |
| | 22 | 7,09 | 10,47 | 13,85 | 17,23 | 20,60 | 23,98 | 30,74 | 37,49 |
| 71 | 25 | 5,07 | 8,44 | 11,82 | 15,20 | 18,58 | 21,96 | 28,71 | 35,47 |
| | 10 | 19,40 | 23,71 | 28,02 | 32,33 | 36,64 | 40,96 | 49,58 | 58,20 |
| | 15 | 15,09 | 19,40 | 23,71 | 28,02 | 32,33 | 36,64 | 45,27 | 53,89 |
| | 18 | 12,50 | 16,81 | 21,12 | 25,44 | 29,75 | 34,06 | 42,68 | 51,30 |
| | 20 | 10,78 | 15,09 | 19,40 | 23,71 | 28,02 | 32,33 | 40,96 | 49,58 |
| 71 | 22 | 9,05 | 13,36 | 17,68 | 21,99 | 26,30 | 30,61 | 39,23 | 47,85 |
| | 25 | 6,47 | 10,78 | 15,09 | 19,40 | 23,71 | 28,02 | 36,64 | 45,27 |
| | 10 | 20,40 | 24,93 | 29,47 | 34,00 | 38,53 | 43,07 | 52,13 | 61,20 |
| | 15 | 15,87 | 20,40 | 24,93 | 29,47 | 34,00 | 38,53 | 47,60 | 56,67 |
| | 18 | 13,15 | 17,68 | 22,21 | 26,75 | 31,28 | 35,81 | 44,88 | 53,95 |
| 71 | 20 | 11,33 | 15,87 | 20,40 | 24,93 | 29,47 | 34,00 | 43,07 | 52,13 |
| | 22 | 9,52 | 14,05 | 18,59 | 23,12 | 27,65 | 32,19 | 41,25 | 50,32 |
| | 25 | 6,80 | 11,33 | 15,87 | 20,40 | 24,93 | 29,47 | 38,53 | 47,60 |

Technical data referred to the following conditions:
 Nominal air flow at Max speed and with ESP = 0Pa
 Water temperature differential = 5°C
 Ta = Air intake temperature
 kWt = Heating capacity (kW)

Performance - 4 pipe system (CC4)

Cooling

| Sizes | Ta (°C) D.B. / W.B | Inlet exchanger water temperature (°C) | | | | | | | | | |
|-------|-----------------------|--|--------------------|----------------|--------------------|----------------|--------------------|----------------|--------------------|----------------|--------------------|
| | | 5 | | 7 | | 10 | | 13 | | 15 | |
| | | Total capacity | Sensible capacity | Total capacity | Sensible capacity | Total capacity | Sensible capacity | Total capacity | Sensible capacity | Total capacity | Sensible capacity |
| | | [kWf] | [kW _s] | [kWf] | [kW _s] | [kWf] | [kW _s] | [kWf] | [kW _s] | [kWf] | [kW _s] |
| 15 | 22 / 16 | 5,22 | 3,66 | 3,99 | 3,16 | 2,40 | 2,40 | 1,64 | 1,64 | 1,14 | 1,14 |
| | 24 / 17 | 5,83 | 4,17 | 4,60 | 3,66 | 2,90 | 2,90 | 2,15 | 2,15 | 1,64 | 1,64 |
| | 26 / 18 | 6,44 | 4,67 | 5,22 | 4,17 | 3,41 | 3,41 | 2,65 | 2,65 | 2,15 | 2,15 |
| | 27 / 19 | 7,06 | 4,93 | 5,83 | 4,42 | 3,99 | 3,66 | 2,90 | 2,90 | 2,40 | 2,40 |
| | 28 / 20 | 7,67 | 5,18 | 6,44 | 4,67 | 4,60 | 3,91 | 3,16 | 3,16 | 2,65 | 2,65 |
| | 30 / 22 | 8,90 | 5,68 | 7,67 | 5,18 | 5,83 | 4,42 | 3,99 | 3,66 | 3,16 | 3,16 |
| 21 | 22 / 16 | 6,46 | 4,43 | 4,94 | 3,82 | 2,90 | 2,90 | 1,99 | 1,99 | 1,38 | 1,38 |
| | 24 / 17 | 7,22 | 5,04 | 5,70 | 4,43 | 3,52 | 3,52 | 2,60 | 2,60 | 1,99 | 1,99 |
| | 26 / 18 | 7,98 | 5,66 | 6,46 | 5,04 | 4,18 | 4,13 | 3,21 | 3,21 | 2,60 | 2,60 |
| | 27 / 19 | 8,74 | 5,96 | 7,22 | 5,35 | 4,94 | 4,43 | 3,52 | 3,52 | 2,90 | 2,90 |
| | 28 / 20 | 9,50 | 6,27 | 7,98 | 5,66 | 5,70 | 4,74 | 3,82 | 3,82 | 3,21 | 3,21 |
| | 30 / 22 | 11,02 | 6,88 | 9,50 | 6,27 | 7,22 | 5,35 | 4,94 | 4,43 | 3,82 | 3,82 |
| 31 | 22 / 16 | 8,91 | 6,49 | 6,81 | 5,59 | 4,25 | 4,25 | 2,91 | 2,91 | 2,01 | 2,01 |
| | 24 / 17 | 9,96 | 7,38 | 7,86 | 6,49 | 5,15 | 5,15 | 3,80 | 3,80 | 2,91 | 2,91 |
| | 26 / 18 | 11,01 | 8,28 | 8,91 | 7,38 | 6,04 | 6,04 | 4,70 | 4,70 | 3,80 | 3,80 |
| | 27 / 19 | 12,06 | 8,72 | 9,96 | 7,83 | 6,81 | 6,49 | 5,15 | 5,15 | 4,25 | 4,25 |
| | 28 / 20 | 13,11 | 9,17 | 11,01 | 8,28 | 7,86 | 6,94 | 5,59 | 5,59 | 4,70 | 4,70 |
| | 30 / 22 | 15,20 | 10,07 | 13,11 | 9,17 | 9,96 | 7,83 | 6,81 | 6,49 | 5,59 | 5,59 |
| 41 | 22 / 16 | 11,09 | 7,90 | 8,48 | 6,81 | 5,17 | 5,17 | 3,54 | 3,54 | 2,45 | 2,45 |
| | 24 / 17 | 12,40 | 8,99 | 9,79 | 7,90 | 6,26 | 6,26 | 4,63 | 4,63 | 3,54 | 3,54 |
| | 26 / 18 | 13,71 | 10,07 | 11,09 | 8,99 | 7,35 | 7,35 | 5,72 | 5,72 | 4,63 | 4,63 |
| | 27 / 19 | 15,01 | 10,62 | 12,40 | 9,53 | 8,48 | 7,90 | 6,26 | 6,26 | 5,17 | 5,17 |
| | 28 / 20 | 16,32 | 11,16 | 13,71 | 10,07 | 9,79 | 8,44 | 6,81 | 6,81 | 5,72 | 5,72 |
| | 30 / 22 | 18,93 | 12,25 | 16,32 | 11,16 | 12,40 | 9,53 | 8,48 | 7,90 | 6,81 | 6,81 |
| 51 | 22 / 16 | 11,81 | 8,62 | 9,03 | 7,43 | 5,65 | 5,65 | 3,86 | 3,86 | 2,67 | 2,67 |
| | 24 / 17 | 13,20 | 9,81 | 10,42 | 8,62 | 6,83 | 6,83 | 5,05 | 5,05 | 3,86 | 3,86 |
| | 26 / 18 | 14,59 | 10,99 | 11,81 | 9,81 | 8,02 | 8,02 | 6,24 | 6,24 | 5,05 | 5,05 |
| | 27 / 19 | 15,98 | 11,59 | 13,20 | 10,40 | 9,03 | 8,62 | 6,83 | 6,83 | 5,65 | 5,65 |
| | 28 / 20 | 17,37 | 12,18 | 14,59 | 10,99 | 10,42 | 9,21 | 7,43 | 7,43 | 6,24 | 6,24 |
| | 30 / 22 | 20,15 | 13,37 | 17,37 | 12,18 | 13,20 | 10,40 | 9,03 | 8,62 | 7,43 | 7,43 |
| 61 | 22 / 16 | 14,85 | 10,61 | 11,36 | 9,14 | 6,95 | 6,95 | 4,75 | 4,75 | 3,29 | 3,29 |
| | 24 / 17 | 16,60 | 12,07 | 13,11 | 10,61 | 8,41 | 8,41 | 6,22 | 6,22 | 4,75 | 4,75 |
| | 26 / 18 | 18,35 | 13,53 | 14,85 | 12,07 | 9,87 | 9,87 | 7,68 | 7,68 | 6,22 | 6,22 |
| | 27 / 19 | 20,09 | 14,26 | 16,60 | 12,80 | 11,36 | 10,61 | 8,41 | 8,41 | 6,95 | 6,95 |
| | 28 / 20 | 21,84 | 14,99 | 18,35 | 13,53 | 13,11 | 11,34 | 9,14 | 9,14 | 7,68 | 7,68 |
| | 30 / 22 | 25,34 | 16,46 | 21,84 | 14,99 | 16,60 | 12,80 | 11,36 | 10,61 | 9,14 | 9,14 |

Technical data referred to the following conditions:
 Nominal air flow at Max speed and with ESP = 0Pa
 Ta = Air intake temperature
 Water temperature differential = 5°C

W.B. = Wet bulb
 D.B. = Dry bulb
 kWf = Cooling capacity (kW)
 kW_s = Sensible capacity (kW)

Performance - 4 pipe system (CC4)

Heating

| Sizes | Ta (°C) | Inlet exchanger water temperature (°C) | | | | | | | |
|-------|---------|--|----------------|----------------|----------------|----------------|----------------|----------------|----------------|
| | | 35 | 40 | 45 | 50 | 55 | 60 | 70 | 80 |
| | | Total capacity | Total capacity | Total capacity | Total capacity | Total capacity | Total capacity | Total capacity | Total capacity |
| | | [kWt] | [kWt] | [kWt] | [kWt] | [kWt] | [kWt] | [kWt] | [kWt] |
| 15 | 10 | 3,31 | 4,04 | 4,77 | 5,51 | 6,24 | 6,98 | 8,45 | 9,92 |
| | 15 | 2,57 | 3,31 | 4,04 | 4,77 | 5,51 | 6,24 | 7,71 | 9,18 |
| | 18 | 2,13 | 2,86 | 3,60 | 4,33 | 5,07 | 5,80 | 7,27 | 8,74 |
| | 20 | 1,84 | 2,57 | 3,31 | 4,04 | 4,77 | 5,51 | 6,98 | 8,45 |
| | 22 | 1,54 | 2,28 | 3,01 | 3,75 | 4,48 | 5,21 | 6,68 | 8,15 |
| | 25 | 1,10 | 1,84 | 2,57 | 3,31 | 4,04 | 4,77 | 6,24 | 7,71 |
| 21 | 10 | 3,49 | 4,26 | 5,03 | 5,81 | 6,58 | 7,36 | 8,91 | 10,46 |
| | 15 | 2,71 | 3,49 | 4,26 | 5,03 | 5,81 | 6,58 | 8,13 | 9,68 |
| | 18 | 2,25 | 3,02 | 3,79 | 4,57 | 5,34 | 6,12 | 7,67 | 9,22 |
| | 20 | 1,94 | 2,71 | 3,49 | 4,26 | 5,03 | 5,81 | 7,36 | 8,91 |
| | 22 | 1,63 | 2,40 | 3,18 | 3,95 | 4,72 | 5,50 | 7,05 | 8,60 |
| | 25 | 1,16 | 1,94 | 2,71 | 3,49 | 4,26 | 5,03 | 6,58 | 8,13 |
| 31 | 10 | 5,80 | 7,09 | 8,38 | 9,67 | 10,96 | 12,24 | 14,82 | 17,40 |
| | 15 | 4,51 | 5,80 | 7,09 | 8,38 | 9,67 | 10,96 | 13,53 | 16,11 |
| | 18 | 3,74 | 5,03 | 6,32 | 7,60 | 8,89 | 10,18 | 12,76 | 15,34 |
| | 20 | 3,22 | 4,51 | 5,80 | 7,09 | 8,38 | 9,67 | 12,24 | 14,82 |
| | 22 | 2,71 | 4,00 | 5,28 | 6,57 | 7,86 | 9,15 | 11,73 | 14,31 |
| | 25 | 1,93 | 3,22 | 4,51 | 5,80 | 7,09 | 8,38 | 10,96 | 13,53 |
| 41 | 10 | 6,10 | 7,46 | 8,81 | 10,17 | 11,52 | 12,88 | 15,59 | 18,30 |
| | 15 | 4,74 | 6,10 | 7,46 | 8,81 | 10,17 | 11,52 | 14,23 | 16,94 |
| | 18 | 3,93 | 5,29 | 6,64 | 8,00 | 9,35 | 10,71 | 13,42 | 16,13 |
| | 20 | 3,39 | 4,74 | 6,10 | 7,46 | 8,81 | 10,17 | 12,88 | 15,59 |
| | 22 | 2,85 | 4,20 | 5,56 | 6,91 | 8,27 | 9,62 | 12,34 | 15,05 |
| | 25 | 2,03 | 3,39 | 4,74 | 6,10 | 7,46 | 8,81 | 11,52 | 14,23 |
| 51 | 10 | 7,75 | 9,47 | 11,19 | 12,92 | 14,64 | 16,36 | 19,81 | 23,25 |
| | 15 | 6,03 | 7,75 | 9,47 | 11,19 | 12,92 | 14,64 | 18,08 | 21,53 |
| | 18 | 4,99 | 6,72 | 8,44 | 10,16 | 11,88 | 13,61 | 17,05 | 20,49 |
| | 20 | 4,31 | 6,03 | 7,75 | 9,47 | 11,19 | 12,92 | 16,36 | 19,81 |
| | 22 | 3,62 | 5,34 | 7,06 | 8,78 | 10,51 | 12,23 | 15,67 | 19,12 |
| | 25 | 2,58 | 4,31 | 6,03 | 7,75 | 9,47 | 11,19 | 14,64 | 18,08 |
| 61 | 10 | 8,20 | 10,02 | 11,84 | 13,67 | 15,49 | 17,31 | 20,96 | 24,60 |
| | 15 | 6,38 | 8,20 | 10,02 | 11,84 | 13,67 | 15,49 | 19,13 | 22,78 |
| | 18 | 5,28 | 7,11 | 8,93 | 10,75 | 12,57 | 14,40 | 18,04 | 21,68 |
| | 20 | 4,56 | 6,38 | 8,20 | 10,02 | 11,84 | 13,67 | 17,31 | 20,96 |
| | 22 | 3,83 | 5,65 | 7,47 | 9,29 | 11,12 | 12,94 | 16,58 | 20,23 |
| | 25 | 2,73 | 4,56 | 6,38 | 8,20 | 10,02 | 11,84 | 15,49 | 19,13 |

Technical data referred to the following conditions:
 Nominal air flow at Max speed and with ESP = 0Pa
 Water temperature differential = 5°C
 Ta = Air intake temperature
 kWt = Heating capacity (kW)

Performance correction coefficients as a function of air flow and external static pressure

2 pipe system (CC2)

| ESP (Pa) | Fan speed | Sizes | | | | | | | | | | | | | | | | | | | | | | | |
|----------|-----------|-------|------|------|------|------|------|------|------|------|------|------|------|------|------|------|------|------|------|------|------|------|------|------|------|
| | | 15 | | | 21 | | | 25 | | | 31 | | | 41 | | | 51 | | | 61 | | | 71 | | |
| | | Pf | Ps | Pt | Pf | Ps | Pt | Pf | Ps | Pt | Pf | Ps | Pt | Pf | Ps | Pt | Pf | Ps | Pt | Pf | Ps | Pt | Pf | Ps | Pt |
| 0 | MAX | 1,00 | 1,00 | 1,00 | 1,00 | 1,00 | 1,00 | 1,00 | 1,00 | 1,00 | 1,00 | 1,00 | 1,00 | 1,00 | 1,00 | 1,00 | 1,00 | 1,00 | 1,00 | 1,00 | 1,00 | 1,00 | 1,00 | 1,00 | 1,00 |
| | MED | 0,89 | 0,88 | 0,88 | 0,90 | 0,88 | 0,89 | 0,90 | 0,89 | 0,90 | 0,96 | 0,95 | 0,95 | 0,96 | 0,95 | 0,95 | 0,96 | 0,96 | 0,96 | 0,94 | 0,93 | 0,94 | 0,95 | 0,94 | 0,95 |
| | MIN | 0,77 | 0,73 | 0,75 | 0,77 | 0,74 | 0,76 | 0,79 | 0,76 | 0,78 | 0,85 | 0,83 | 0,84 | 0,85 | 0,83 | 0,84 | 0,87 | 0,85 | 0,86 | 0,80 | 0,77 | 0,79 | 0,82 | 0,80 | 0,81 |
| 10 | MAX | 0,98 | 0,97 | 0,97 | 0,98 | 0,97 | 0,97 | 0,98 | 0,98 | 0,98 | 0,98 | 0,97 | 0,97 | 0,98 | 0,97 | 0,97 | 0,98 | 0,98 | 0,98 | 0,98 | 0,97 | 0,97 | 0,98 | 0,97 | 0,97 |
| | MED | 0,88 | 0,86 | 0,87 | 0,88 | 0,86 | 0,87 | 0,88 | 0,87 | 0,88 | 0,93 | 0,92 | 0,93 | 0,94 | 0,93 | 0,93 | 0,94 | 0,93 | 0,94 | 0,92 | 0,91 | 0,92 | 0,93 | 0,92 | 0,93 |
| | MIN | 0,76 | 0,73 | 0,75 | 0,76 | 0,73 | 0,75 | 0,77 | 0,74 | 0,76 | 0,84 | 0,82 | 0,83 | 0,84 | 0,82 | 0,83 | 0,86 | 0,84 | 0,85 | 0,80 | 0,77 | 0,79 | 0,82 | 0,79 | 0,81 |
| 20 | MAX | 0,96 | 0,95 | 0,95 | 0,96 | 0,95 | 0,95 | 0,96 | 0,95 | 0,95 | 0,95 | 0,94 | 0,95 | 0,96 | 0,95 | 0,95 | 0,96 | 0,96 | 0,96 | 0,95 | 0,94 | 0,95 | 0,95 | 0,94 | 0,95 |
| | MED | 0,86 | 0,84 | 0,85 | 0,86 | 0,84 | 0,86 | 0,87 | 0,85 | 0,86 | 0,91 | 0,90 | 0,91 | 0,92 | 0,91 | 0,91 | 0,92 | 0,91 | 0,92 | 0,90 | 0,89 | 0,90 | 0,90 | 0,89 | 0,90 |
| | MIN | 0,74 | 0,71 | 0,73 | 0,74 | 0,71 | 0,73 | 0,76 | 0,73 | 0,75 | 0,82 | 0,80 | 0,81 | 0,83 | 0,81 | 0,82 | 0,84 | 0,82 | 0,83 | 0,79 | 0,76 | 0,78 | 0,80 | 0,77 | 0,79 |
| 30 | MAX | 0,93 | 0,92 | 0,93 | 0,93 | 0,92 | 0,93 | 0,94 | 0,93 | 0,93 | 0,93 | 0,92 | 0,93 | 0,93 | 0,92 | 0,93 | 0,94 | 0,93 | 0,93 | 0,92 | 0,91 | 0,91 | 0,92 | 0,91 | 0,91 |
| | MED | 0,84 | 0,81 | 0,83 | 0,84 | 0,82 | 0,83 | 0,85 | 0,83 | 0,84 | 0,88 | 0,87 | 0,88 | 0,89 | 0,88 | 0,88 | 0,90 | 0,88 | 0,89 | 0,87 | 0,85 | 0,86 | 0,88 | 0,86 | 0,87 |
| | MIN | 0,73 | 0,69 | 0,71 | 0,73 | 0,69 | 0,71 | 0,74 | 0,71 | 0,73 | 0,81 | 0,78 | 0,80 | 0,82 | 0,79 | 0,81 | 0,83 | 0,81 | 0,82 | 0,77 | 0,74 | 0,76 | 0,79 | 0,76 | 0,78 |
| 40 | MAX | 0,90 | 0,89 | 0,90 | 0,90 | 0,89 | 0,90 | 0,92 | 0,91 | 0,91 | 0,90 | 0,89 | 0,90 | 0,90 | 0,89 | 0,90 | 0,91 | 0,90 | 0,91 | 0,89 | 0,88 | 0,88 | 0,89 | 0,88 | 0,88 |
| | MED | 0,82 | 0,79 | 0,81 | 0,82 | 0,79 | 0,81 | 0,82 | 0,80 | 0,81 | 0,86 | 0,84 | 0,86 | 0,86 | 0,84 | 0,86 | 0,87 | 0,85 | 0,86 | 0,84 | 0,82 | 0,83 | 0,84 | 0,82 | 0,83 |
| | MIN | 0,71 | 0,68 | 0,70 | 0,71 | 0,68 | 0,70 | 0,73 | 0,69 | 0,71 | 0,79 | 0,76 | 0,78 | 0,79 | 0,77 | 0,78 | 0,81 | 0,78 | 0,80 | 0,76 | 0,73 | 0,75 | 0,77 | 0,73 | 0,75 |
| 50 | MAX | 0,88 | 0,87 | 0,88 | 0,88 | 0,87 | 0,88 | 0,89 | 0,88 | 0,88 | 0,88 | 0,86 | 0,87 | 0,88 | 0,87 | 0,88 | 0,89 | 0,88 | 0,88 | 0,86 | 0,84 | 0,85 | 0,85 | 0,83 | 0,84 |
| | MED | 0,79 | 0,76 | 0,78 | 0,79 | 0,77 | 0,78 | 0,80 | 0,77 | 0,79 | 0,84 | 0,81 | 0,83 | 0,84 | 0,82 | 0,83 | 0,84 | 0,82 | 0,83 | 0,81 | 0,78 | 0,80 | 0,81 | 0,78 | 0,80 |
| | MIN | 0,69 | 0,65 | 0,67 | 0,70 | 0,66 | 0,68 | 0,71 | 0,68 | 0,70 | 0,77 | 0,73 | 0,75 | 0,77 | 0,74 | 0,76 | 0,79 | 0,76 | 0,78 | 0,73 | 0,69 | 0,71 | 0,74 | 0,70 | 0,72 |
| 60 | MAX | 0,86 | 0,84 | 0,85 | 0,86 | 0,84 | 0,85 | 0,86 | 0,84 | 0,86 | 0,86 | 0,84 | 0,85 | 0,86 | 0,84 | 0,85 | 0,86 | 0,84 | 0,86 | 0,82 | 0,79 | 0,81 | 0,82 | 0,79 | 0,81 |
| | MED | 0,77 | 0,73 | 0,75 | 0,77 | 0,74 | 0,76 | 0,78 | 0,75 | 0,77 | 0,81 | 0,78 | 0,80 | 0,81 | 0,78 | 0,80 | 0,82 | 0,79 | 0,81 | 0,77 | 0,74 | 0,76 | 0,77 | 0,74 | 0,76 |
| | MIN | 0,67 | 0,63 | 0,65 | 0,67 | 0,63 | 0,66 | 0,68 | 0,64 | 0,67 | 0,74 | 0,71 | 0,73 | 0,75 | 0,72 | 0,74 | 0,77 | 0,73 | 0,75 | 0,70 | 0,66 | 0,68 | 0,71 | 0,67 | 0,69 |
| 70 | MAX | 0,83 | 0,81 | 0,82 | 0,83 | 0,81 | 0,82 | 0,84 | 0,81 | 0,83 | 0,82 | 0,80 | 0,81 | 0,83 | 0,81 | 0,82 | 0,83 | 0,81 | 0,82 | 0,78 | 0,75 | 0,77 | 0,78 | 0,75 | 0,77 |
| | MED | 0,73 | 0,69 | 0,71 | 0,74 | 0,70 | 0,72 | 0,74 | 0,71 | 0,73 | 0,77 | 0,74 | 0,76 | 0,78 | 0,75 | 0,77 | 0,79 | 0,76 | 0,78 | 0,73 | 0,69 | 0,71 | 0,73 | 0,69 | 0,71 |
| | MIN | 0,63 | 0,59 | 0,62 | 0,64 | 0,60 | 0,62 | 0,65 | 0,61 | 0,63 | 0,72 | 0,69 | 0,71 | 0,73 | 0,69 | 0,71 | 0,74 | 0,70 | 0,72 | 0,66 | 0,62 | 0,64 | 0,67 | 0,63 | 0,65 |
| 80 | MAX | 0,79 | 0,77 | 0,78 | 0,80 | 0,77 | 0,79 | 0,80 | 0,77 | 0,79 | 0,78 | 0,75 | 0,77 | 0,79 | 0,76 | 0,78 | 0,79 | 0,76 | 0,78 | 0,74 | 0,70 | 0,72 | 0,73 | 0,69 | 0,71 |
| | MED | 0,68 | 0,64 | 0,67 | 0,69 | 0,65 | 0,67 | 0,69 | 0,65 | 0,67 | 0,74 | 0,70 | 0,72 | 0,74 | 0,71 | 0,73 | 0,75 | 0,72 | 0,74 | 0,67 | 0,63 | 0,66 | 0,67 | 0,63 | 0,66 |
| | MIN | 0,60 | 0,56 | 0,58 | 0,61 | 0,56 | 0,59 | 0,62 | 0,57 | 0,60 | 0,67 | 0,63 | 0,66 | 0,69 | 0,65 | 0,67 | 0,70 | 0,66 | 0,68 | 0,61 | 0,56 | 0,59 | 0,62 | 0,57 | 0,60 |
| 90 | MAX | 0,76 | 0,73 | 0,75 | 0,76 | 0,73 | 0,75 | 0,77 | 0,73 | 0,75 | 0,73 | 0,69 | 0,71 | 0,74 | 0,71 | 0,73 | 0,74 | 0,71 | 0,73 | 0,67 | 0,63 | 0,66 | 0,67 | 0,63 | 0,66 |
| | MED | 0,63 | 0,58 | 0,61 | 0,65 | 0,61 | 0,63 | 0,64 | 0,60 | 0,62 | 0,70 | 0,66 | 0,68 | 0,71 | 0,67 | 0,69 | 0,71 | 0,68 | 0,70 | 0,62 | 0,57 | 0,60 | 0,63 | 0,58 | 0,61 |
| | MIN | 0,57 | 0,52 | 0,55 | 0,58 | 0,53 | 0,56 | 0,58 | 0,54 | 0,56 | 0,63 | 0,59 | 0,62 | 0,65 | 0,61 | 0,63 | 0,66 | 0,62 | 0,64 | 0,56 | 0,51 | 0,54 | 0,57 | 0,52 | 0,55 |
| 100 | MAX | 0,70 | 0,66 | 0,68 | 0,71 | 0,68 | 0,70 | 0,71 | 0,68 | 0,70 | 0,67 | 0,63 | 0,66 | 0,69 | 0,65 | 0,67 | 0,69 | 0,65 | 0,67 | 0,62 | 0,57 | 0,60 | 0,62 | 0,57 | 0,60 |
| | MED | 0,59 | 0,55 | 0,57 | 0,60 | 0,56 | 0,58 | 0,61 | 0,56 | 0,59 | 0,63 | 0,59 | 0,62 | 0,65 | 0,61 | 0,63 | 0,65 | 0,61 | 0,63 | 0,56 | 0,51 | 0,54 | 0,57 | 0,52 | 0,55 |
| | MIN | 0,52 | 0,47 | 0,50 | 0,54 | 0,49 | 0,52 | 0,55 | 0,50 | 0,53 | 0,58 | 0,53 | 0,56 | 0,59 | 0,55 | 0,57 | 0,60 | 0,56 | 0,58 | 0,50 | 0,45 | 0,48 | 0,50 | 0,45 | 0,48 |
| 120 | MAX | 0,58 | 0,53 | 0,56 | 0,59 | 0,55 | 0,57 | 0,60 | 0,56 | 0,58 | 0,53 | 0,48 | 0,51 | 0,56 | 0,51 | 0,54 | 0,56 | 0,51 | 0,54 | 0,49 | 0,44 | 0,47 | 0,50 | 0,45 | 0,48 |
| | MED | 0,50 | 0,45 | 0,48 | 0,52 | 0,47 | 0,50 | 0,52 | 0,47 | 0,50 | 0,50 | 0,45 | 0,48 | 0,52 | 0,47 | 0,50 | 0,53 | 0,48 | 0,51 | 0,42 | 0,37 | 0,40 | 0,43 | 0,38 | 0,41 |
| | MIN | 0,42 | 0,37 | 0,40 | 0,45 | 0,40 | 0,43 | 0,45 | 0,40 | 0,43 | 0,44 | 0,39 | 0,42 | 0,46 | 0,41 | 0,44 | 0,47 | 0,42 | 0,45 | 0,36 | 0,30 | 0,33 | 0,36 | 0,30 | 0,33 |

Technical data referred to the following conditions:
Cooling: Indoor air temperature at 27° C D.B./19 W.B
Water temperature in / out 7° C / 12° C
Heating: Indoor air temperature at 20° C
Water inlet temperature = 50° C

Performance correction coefficients as a function of air flow and external static pressure

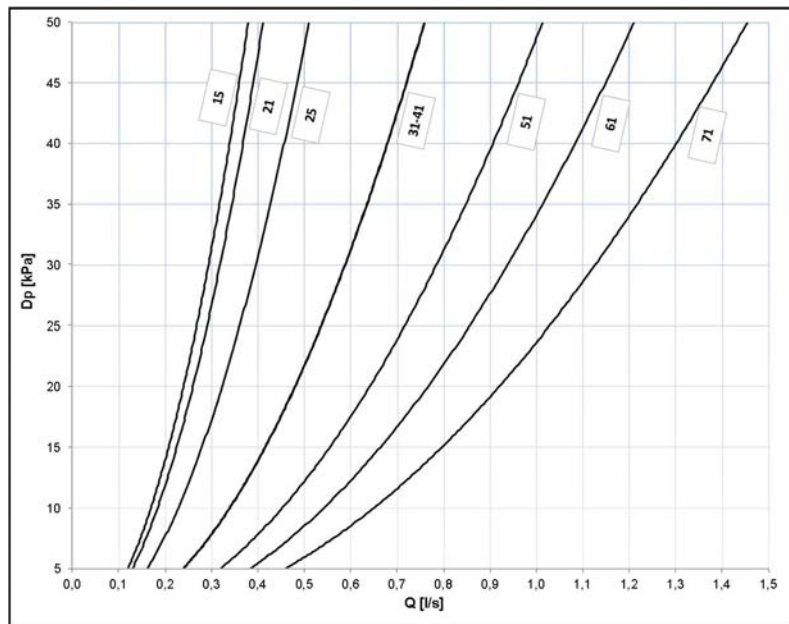
4 pipe system (CC4)

| ESP (Pa) | Fan speed | Sizes | | | | | | | | | | | | | | | | | |
|----------|-----------|-------|------|------|------|------|------|------|------|------|------|------|------|------|------|------|------|------|------|
| | | 15 | | | 21 | | | 31 | | | 41 | | | 51 | | | 61 | | |
| | | Pf | Ps | Pt | Pf | Ps | Pt | Pf | Ps | Pt | Pf | Ps | Pt | Pf | Ps | Pt | Pf | Ps | Pt |
| 0 | MAX | 1,00 | 1,00 | 1,00 | 1,00 | 1,00 | 1,00 | 1,00 | 1,00 | 1,00 | 1,00 | 1,00 | 1,00 | 1,00 | 1,00 | 1,00 | 1,00 | 1,00 | 1,00 |
| | MED | 0,90 | 0,89 | 0,90 | 0,91 | 0,90 | 0,91 | 0,96 | 0,96 | 0,96 | 0,96 | 0,96 | 0,96 | 0,95 | 0,94 | 0,95 | 0,96 | 0,95 | 0,95 |
| | MIN | 0,78 | 0,75 | 0,77 | 0,79 | 0,76 | 0,78 | 0,87 | 0,85 | 0,86 | 0,88 | 0,86 | 0,87 | 0,82 | 0,79 | 0,81 | 0,83 | 0,81 | 0,82 |
| 10 | MAX | 0,98 | 0,98 | 0,98 | 0,98 | 0,98 | 0,98 | 0,98 | 0,98 | 0,98 | 0,98 | 0,98 | 0,98 | 0,98 | 0,97 | 0,97 | 0,98 | 0,97 | 0,97 |
| | MED | 0,88 | 0,87 | 0,88 | 0,89 | 0,88 | 0,88 | 0,94 | 0,93 | 0,94 | 0,94 | 0,93 | 0,94 | 0,92 | 0,91 | 0,92 | 0,93 | 0,92 | 0,93 |
| | MIN | 0,77 | 0,73 | 0,75 | 0,77 | 0,74 | 0,76 | 0,86 | 0,84 | 0,85 | 0,86 | 0,84 | 0,86 | 0,81 | 0,78 | 0,80 | 0,82 | 0,79 | 0,81 |
| 20 | MAX | 0,96 | 0,95 | 0,95 | 0,96 | 0,95 | 0,95 | 0,96 | 0,96 | 0,96 | 0,96 | 0,96 | 0,96 | 0,94 | 0,93 | 0,94 | 0,94 | 0,93 | 0,94 |
| | MED | 0,87 | 0,85 | 0,86 | 0,87 | 0,85 | 0,86 | 0,92 | 0,91 | 0,91 | 0,92 | 0,91 | 0,92 | 0,90 | 0,88 | 0,89 | 0,90 | 0,89 | 0,90 |
| | MIN | 0,76 | 0,73 | 0,75 | 0,77 | 0,73 | 0,75 | 0,84 | 0,81 | 0,83 | 0,84 | 0,82 | 0,83 | 0,79 | 0,77 | 0,78 | 0,80 | 0,77 | 0,79 |
| 30 | MAX | 0,94 | 0,93 | 0,93 | 0,94 | 0,93 | 0,93 | 0,94 | 0,93 | 0,93 | 0,94 | 0,93 | 0,93 | 0,92 | 0,91 | 0,91 | 0,92 | 0,91 | 0,91 |
| | MED | 0,84 | 0,82 | 0,83 | 0,85 | 0,83 | 0,84 | 0,89 | 0,88 | 0,88 | 0,90 | 0,88 | 0,89 | 0,87 | 0,85 | 0,86 | 0,88 | 0,86 | 0,87 |
| | MIN | 0,74 | 0,71 | 0,73 | 0,75 | 0,72 | 0,74 | 0,82 | 0,80 | 0,81 | 0,83 | 0,81 | 0,82 | 0,79 | 0,76 | 0,78 | 0,79 | 0,77 | 0,78 |
| 40 | MAX | 0,91 | 0,90 | 0,91 | 0,92 | 0,91 | 0,91 | 0,91 | 0,90 | 0,91 | 0,91 | 0,90 | 0,91 | 0,88 | 0,87 | 0,88 | 0,89 | 0,88 | 0,88 |
| | MED | 0,82 | 0,80 | 0,81 | 0,83 | 0,81 | 0,82 | 0,87 | 0,85 | 0,86 | 0,87 | 0,85 | 0,86 | 0,84 | 0,81 | 0,83 | 0,84 | 0,82 | 0,83 |
| | MIN | 0,72 | 0,69 | 0,71 | 0,73 | 0,69 | 0,71 | 0,80 | 0,77 | 0,79 | 0,81 | 0,78 | 0,80 | 0,76 | 0,73 | 0,75 | 0,77 | 0,73 | 0,75 |
| 50 | MAX | 0,88 | 0,87 | 0,88 | 0,89 | 0,88 | 0,88 | 0,89 | 0,88 | 0,88 | 0,89 | 0,88 | 0,88 | 0,85 | 0,83 | 0,84 | 0,85 | 0,83 | 0,84 |
| | MED | 0,80 | 0,77 | 0,79 | 0,81 | 0,78 | 0,80 | 0,84 | 0,82 | 0,83 | 0,85 | 0,83 | 0,84 | 0,80 | 0,77 | 0,79 | 0,81 | 0,78 | 0,80 |
| | MIN | 0,71 | 0,67 | 0,69 | 0,71 | 0,68 | 0,70 | 0,78 | 0,75 | 0,77 | 0,79 | 0,76 | 0,78 | 0,73 | 0,69 | 0,71 | 0,74 | 0,71 | 0,73 |
| 60 | MAX | 0,86 | 0,84 | 0,86 | 0,86 | 0,84 | 0,86 | 0,86 | 0,84 | 0,85 | 0,86 | 0,84 | 0,86 | 0,81 | 0,78 | 0,80 | 0,82 | 0,79 | 0,81 |
| | MED | 0,77 | 0,74 | 0,76 | 0,78 | 0,75 | 0,77 | 0,82 | 0,79 | 0,81 | 0,82 | 0,80 | 0,81 | 0,77 | 0,73 | 0,75 | 0,77 | 0,74 | 0,76 |
| | MIN | 0,67 | 0,63 | 0,66 | 0,69 | 0,65 | 0,67 | 0,76 | 0,73 | 0,75 | 0,77 | 0,73 | 0,75 | 0,70 | 0,66 | 0,68 | 0,71 | 0,67 | 0,69 |
| 70 | MAX | 0,83 | 0,81 | 0,82 | 0,84 | 0,81 | 0,83 | 0,82 | 0,79 | 0,81 | 0,82 | 0,80 | 0,81 | 0,77 | 0,73 | 0,75 | 0,77 | 0,74 | 0,76 |
| | MED | 0,73 | 0,69 | 0,71 | 0,74 | 0,71 | 0,73 | 0,78 | 0,75 | 0,77 | 0,79 | 0,76 | 0,78 | 0,71 | 0,68 | 0,70 | 0,73 | 0,69 | 0,71 |
| | MIN | 0,64 | 0,60 | 0,62 | 0,65 | 0,61 | 0,63 | 0,72 | 0,69 | 0,71 | 0,74 | 0,70 | 0,72 | 0,65 | 0,61 | 0,63 | 0,67 | 0,63 | 0,65 |
| 80 | MAX | 0,79 | 0,77 | 0,78 | 0,80 | 0,77 | 0,79 | 0,78 | 0,75 | 0,77 | 0,79 | 0,76 | 0,78 | 0,72 | 0,69 | 0,71 | 0,73 | 0,69 | 0,71 |
| | MED | 0,68 | 0,64 | 0,67 | 0,70 | 0,66 | 0,68 | 0,74 | 0,71 | 0,73 | 0,75 | 0,72 | 0,74 | 0,67 | 0,63 | 0,65 | 0,67 | 0,63 | 0,66 |
| | MIN | 0,61 | 0,56 | 0,59 | 0,62 | 0,57 | 0,60 | 0,68 | 0,64 | 0,67 | 0,70 | 0,66 | 0,68 | 0,60 | 0,56 | 0,58 | 0,62 | 0,57 | 0,60 |
| 90 | MAX | 0,75 | 0,72 | 0,74 | 0,77 | 0,73 | 0,75 | 0,73 | 0,69 | 0,71 | 0,74 | 0,71 | 0,73 | 0,67 | 0,63 | 0,65 | 0,67 | 0,63 | 0,66 |
| | MED | 0,63 | 0,59 | 0,62 | 0,64 | 0,60 | 0,62 | 0,70 | 0,66 | 0,68 | 0,71 | 0,68 | 0,70 | 0,61 | 0,56 | 0,59 | 0,63 | 0,58 | 0,61 |
| | MIN | 0,58 | 0,53 | 0,56 | 0,58 | 0,54 | 0,56 | 0,63 | 0,59 | 0,62 | 0,65 | 0,61 | 0,63 | 0,55 | 0,50 | 0,53 | 0,57 | 0,52 | 0,55 |
| 100 | MAX | 0,70 | 0,66 | 0,68 | 0,71 | 0,68 | 0,70 | 0,67 | 0,63 | 0,66 | 0,69 | 0,65 | 0,67 | 0,61 | 0,56 | 0,59 | 0,63 | 0,58 | 0,61 |
| | MED | 0,60 | 0,56 | 0,58 | 0,61 | 0,56 | 0,59 | 0,63 | 0,59 | 0,62 | 0,65 | 0,61 | 0,63 | 0,55 | 0,50 | 0,53 | 0,57 | 0,52 | 0,55 |
| | MIN | 0,53 | 0,48 | 0,51 | 0,55 | 0,50 | 0,53 | 0,58 | 0,54 | 0,56 | 0,60 | 0,56 | 0,58 | 0,48 | 0,43 | 0,46 | 0,50 | 0,45 | 0,48 |
| 120 | MAX | 0,58 | 0,53 | 0,56 | 0,60 | 0,56 | 0,58 | 0,54 | 0,49 | 0,52 | 0,56 | 0,51 | 0,54 | 0,47 | 0,42 | 0,45 | 0,50 | 0,45 | 0,48 |
| | MED | 0,51 | 0,46 | 0,49 | 0,53 | 0,48 | 0,51 | 0,51 | 0,46 | 0,49 | 0,53 | 0,48 | 0,51 | 0,40 | 0,35 | 0,38 | 0,43 | 0,38 | 0,41 |
| | MIN | 0,43 | 0,38 | 0,41 | 0,45 | 0,40 | 0,43 | 0,45 | 0,40 | 0,43 | 0,47 | 0,42 | 0,45 | / | / | / | 0,37 | 0,32 | 0,35 |

Technical data referred to the following conditions:
 Cooling: Indoor air temperature at 27° C.D.B/19 W.B
 Water temperature in / out 7° C / 12° C
 Heating: Indoor air temperature at 20° C
 Water temperature in / out = 70° C / 60° C

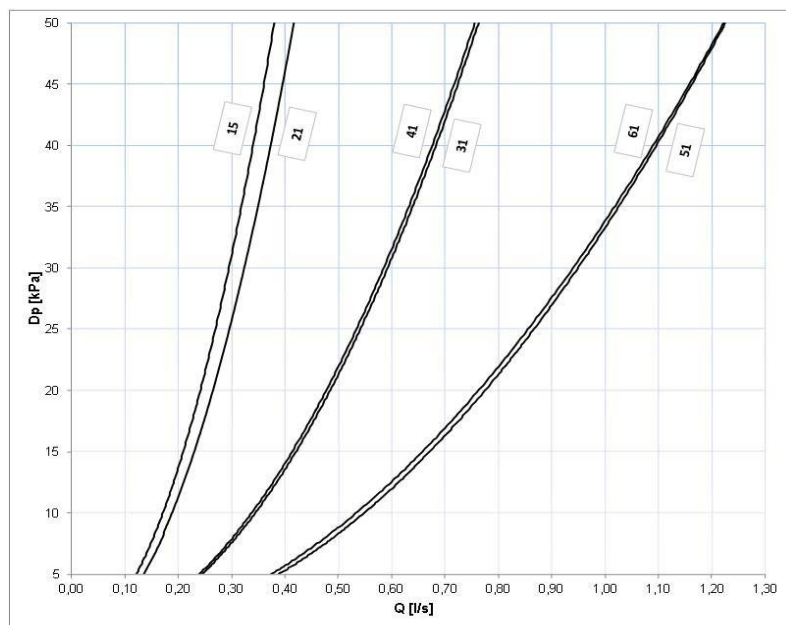
Exchanger pressure drops

2 pipe system (CC2)



Q = Water flow (l/s)
Dp = Pressure drop (kPa)

4 pipe system (CC4)



Q = Water flow (l/s)
Dp = Pressure drop (kPa)

Configuration options

TRM - Terminal block with minimum water temperature clickson

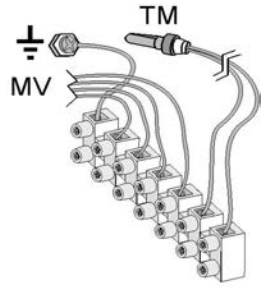
"Mammoth" type terminal board (min. 7 poles) IP20 with minimum hot water temperature thermostat (T. SET = 32°C)

This function disable the fan operation when, in heating mode, the water on the coil is not hot enough.

Function to prevent ventilation, of cold air in the room (because the water is too cold), which in winter it can be particularly annoying.

The probe which measures the minimum temperature is usually installed in contact with the heating coil, but according to the controllers maybe required the intallation on the inlet pipe unit (before any possible valve).

The "minimum hot water temperature" works only in heating mode. In cooling it is by-passed.



MV = Fan motor
TM = Minimum water temperature clickson



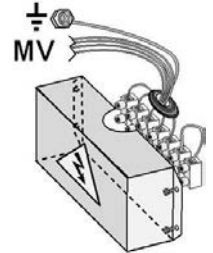
If electronic CTS (CLIVET TALK TERMINAL SPACE) is present, isn't longer necessary this option because already included.

TRP - Terminal block with closing cover IP40

Terminal block type "mamut" (min. 7 poles) with closing cover IP40.



If electronic CTS (CLIVET TALK TERMINAL SPACE) is present, isn't longer necessary this option because already included.



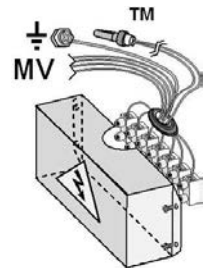
MV = Fan motor

TRMP - Terminal block with closing cover IP40 and minimum water temperature clickson

Terminal block type "mamut" (min. 7 poles) with closing cover IP40 and minimum water temperature clickson.



If electronic CTS (CLIVET TALK TERMINAL SPACE) is present, isn't longer necessary this option because already included.



MV = Fan motor
TM = Minimum water temperature clickson

CTSP1 - CLIVET TALK TERMINAL SPACE electronics with RS485 Modbus serial port

This is a card for control of the unit which, in addition to basic functions, allows it to be connected to a network of similar units managed centrally by ELFOControl or B.M.S.

This type of electronic card is suited for communicating via RS485 if connected to SP1 devices.

The microprocessor control installed in the unit receives operating settings from one of the following thermostats:

- HID-T2 - Electronic room control for wall installation
- HID-T3 - Electronic room control for wall installation with humidity probe

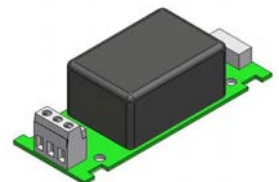
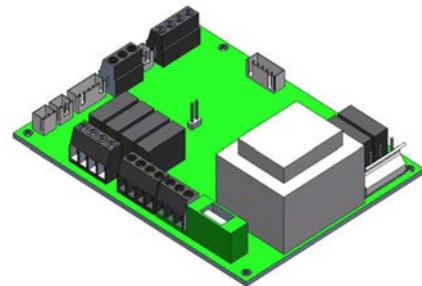
With CTSP1 electronics is provided also a return air probe for the reading of the room temperature. By default is expected that the air probe of the room thermostat (HIDT...), when present, is priority respect to the return air probe, even if it is connected. When there isn't room thermostat, the unit adjusts on its return air probe. Through the setting of a parameter it's possible that this priority can be reversed and therefore the reading of temperature by the return air probe is priority respect to the air probe of the room thermostat (HIDT...), even though this is simultaneously connected.

When it isn't present, the return air probe of the unit will adjust on the value detected by the thermostat.

Its functionalities are:

- control of minimum temperature of system water temperature
- Control of manual or automatic speed fan
- control of on/off water valve
- control card of 0-10V valve and fan through the additional card CPVM
- digital input for remote on/off function or winter/summer
- fan control / fresh air damper actuator
- on/off control of electrical heating element or cumulative alarm relay.

The serial port with MODBUS protocol. Allows the cable connection between the units and the ELFOControl or B.M.S. It allow to create mini networks (a single HIDT... thermostat that controls up to 9 units).



CPVM - Control additional card of 0-10V valve and EC fan (available only with options: CTSP1)

Control card of fan and 0-10V valve.

2V2 - on/off 2-way valve kit for 2 pipe system (available only with options: CC2)

2V4 - on/off 2-way valve kit for 4 pipe system (available only with options: CC4)

3V2 - Three-way valve kit for 2 pipe system type "on/off" (available only with options: CC2)

3V4 - Three-way valve kit for 4 pipe system type "on/off" (available only with options: CC4)

10V2 - 0-10V 3 way valve kit for 2 pipe system (available only with options: CC2)

10V4 - 0-10V 3 way valve kit for 4 pipe system (available only with options: CC4)

ON/OFF 2 or 3-way valve kit (power 230Vac) complete with thermoelectric actuator or modulating 0-10V 3-way valve kit (power 24Vac), suitable for all versions (horizontal and vertical units) and for units with connections either on right or left.

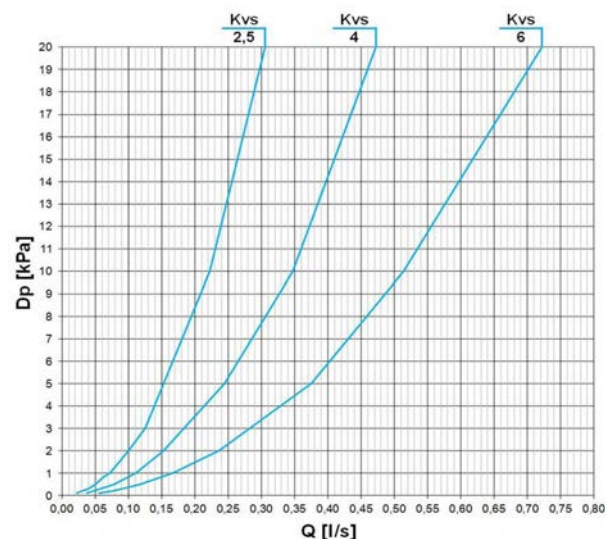
Technical data:

- DN = 3/4" M
- PN = 16 bar
- Kv = 2,5 (CC2: size 15 - 21 - 25 / CC4: size 15 - 21); 4 (CC2: size 31 - 41 - 51 / CC4: size 31 - 41); 6 (CC2: size 61 - 71 / CC4: size 51 - 61)
- ΔP = 70 kPa

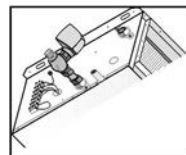


Accessory also available separately supplied.

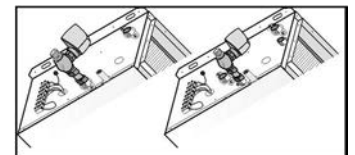
Pressure drop



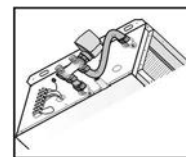
2V2



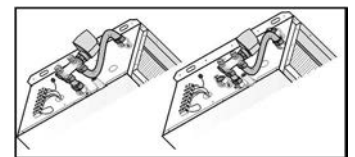
2V4



3V2 o 10V2



3V4 o 10V4



Q = Water flow rate (l/s)
DP = Pressure drop (kPa)

CDP - Condensate pump

Condensate pump provided with 8A (250V) alarm contact, suitable for all vertical versions (INV) and horizontal version (INH).

Water flow:

- 8 l/h con 0 m.w.c. (max);
- 6,5 l/h con 1 m.w.c.;
- 4 l/h con 3 m.w.c.;
- 0 l/h con 6 m.w.c.



Accessory also available separately supplied.

BRO - Auxiliary drain pan in galvanized steel with thermal insulation (available only with options: INH)

The auxiliary drain pan for horizontal version makes it possible to collect the condensation of the unit's connection tubes and valves.

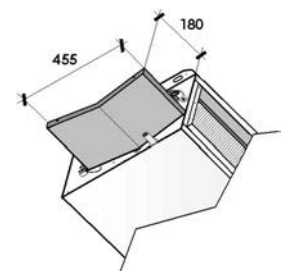
Realized of galvanized steel and internal thermal-acoustic insulation (class M1).

This accessory is suitable for:

- installation on all sizes;
- for units with connections either on right or left.



Accessory also available separately supplied.



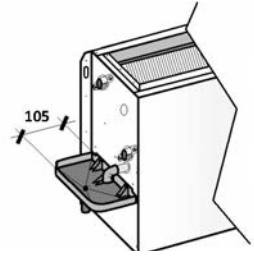
BRV - Auxiliary drain pan (vertical installation) (available only with options: INV)

The auxiliary drain pan for vertical version makes it possible to collect the condensation of the unit's connection tubes and valves.

It's made in plastic material.

This accessory is suitable for:

- installation on all sizes;
- for units with connections either on right or left.

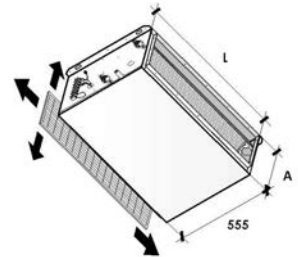


Accessory also available separately supplied.

FAPS - EU3 flat air filter (Eurovent 4/5) not ductable

It can be regenerated by water-washing, blowing, vacuuming.

Flat EU3 (Eurovent 4/5) air filter removable from any side (not ductable).



Accessory also available separately supplied.

| FAPS | | 15 | 21 | 25 | 31 | 41 | 51 | 61 | 71 |
|---|------|---------------|---------------|-----------|----------------|----------------|--------------------------|----------------|------------|
| L (length) | [mm] | 800 (CC2-CC4) | 800 (CC2-CC4) | 800 (CC2) | 1200 (CC2-CC4) | 1200 (CC2-CC4) | 1200 (CC2) 1600 (CC4) | 1600 (CC2-CC4) | 1600 (CC2) |
| A (height) | [mm] | 250 | 250 | 250 | 250 | 250 | 250 | 250 | 250 |
| Air pressure drop (clean filter) | [Pa] | 15 (CC2-CC4) | 17 (CC2-CC4) | 16 (CC2) | 23 (CC2-CC4) | 27 (CC2-CC4) | 25 (CC2) 22 (CC4) | 28 (CC2-CC4) | 25 (CC2) |

Air pressure drop (Pa) referred to nominal air flow of the 2 pipe unit

CC2 = 2 pipe system configuration

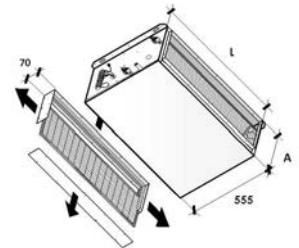
CC4 = 4 pipe system configuration

SFCF - Air filter section (ductable) with EU3 flat air filter (Eurovent 4/5)

Ductable EU3 (Eurovent 4/5) air filter section made of false frame in 4 parts in galvanized steel and flat air filter.

Air filter removable from any side.

It can be regenerated by water-washing, blowing, vacuuming.



Accessory also available separately supplied.

| SFCF | | 15 | 21 | 25 | 31 | 41 | 51 | 61 | 71 |
|---|------|---------------|---------------|-----------|----------------|----------------|--------------------------|----------------|------------|
| L (length) | [mm] | 800 (CC2-CC4) | 800 (CC2-CC4) | 800 (CC2) | 1200 (CC2-CC4) | 1200 (CC2-CC4) | 1200 (CC2) 1600 (CC4) | 1600 (CC2-CC4) | 1600 (CC2) |
| A (height) | [mm] | 250 | 250 | 250 | 250 | 250 | 250 | 250 | 250 |
| Air pressure drop (clean filter) | [Pa] | 15 (CC2-CC4) | 17 (CC2-CC4) | 16 (CC2) | 23 (CC2-CC4) | 27 (CC2-CC4) | 25 (CC2) 22 (CC4) | 28 (CC2-CC4) | 25 (CC2) |

Air pressure drop (Pa) referred to nominal air flow of the 2 pipe unit

CC2 = 2 pipe system configuration

CC4 = 4 pipe system configuration



The EU5 high-efficiency air filter (Eurovent 4/5) can be provided only separately. For the description of the accessory, see the next section dedicated to the 'ACCESSORY SEPARATELY SUPPLIED'.

VEC - High efficiency EC fan (available with options: TR, TRM, TRP, TRMP, CTSP1 + CPVM)

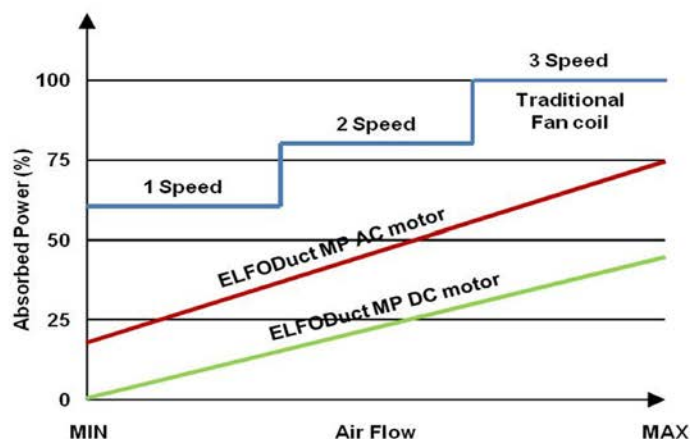
The ELFODuct MP series can be configured with an innovative DC Brushless motor fan and ensures reduced consumption thanks to the modulation of the ventilation.

The air flow can be varied continuously with a 0-10V signal.

The extreme efficiency, also at low speed, makes possible a great reduction in electric consumption and the operating costs in comparison to a traditional fan coil with AC motor.

The main advantages are:

- Large reduction in energy consumption, thanks to an optimal response to the thermal load of the environment during every moment of the day
- Operating silence at all rotation speeds
- Ability to operate at any rotation speed



RE700 - 0.7 kW integrated electric heater with safety thermostat and power electric panel

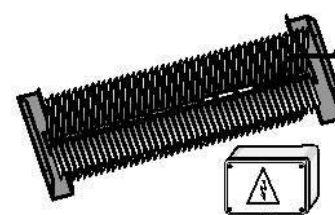
RE1000 - 1.0 kW integrated electric heater with safety thermostat and power electric panel

RE1500 - 1.5 kW integrated electric heater with safety thermostat and power electric panel

RE2000 - 2.0 kW integrated electric heater with safety thermostat and power electric panel

Single-stage electrical heater integrated inside the unit with automatic reset safety thermostat (without power relay) and power electric panel for heaters supplied installed external to the section containing the electrical heaters, also including the terminal board wiring.

Heating element for air insertable any size, checked for compatibility of the dimensions.



Main technical specifications of the electric heaters

| Model | Compatibility | Power supply | Heating capacity | Current input (Max) | Dimensions (Length x Height x Depth) |
|--------|---------------|--------------|------------------|---------------------|--------------------------------------|
| RE700 | All sizes | 230Vac | 700W | 3,05A | 400x115x30mm |
| RE1000 | All sizes | 230Vac | 1000W | 4,35A | 500x115x30mm |
| RE1500 | All sizes | 230Vac | 1500W | 6,53A | 750x115x30mm |
| RE2000 | All sizes | 230Vac | 2000W | 8,70A | 950x115x30mm |

Accessories separately supplied

HIDE2X - Remote control with E/I + 3V+ On/Off for wall installation

HID-E2 electro mechanical room thermostat for wall installation

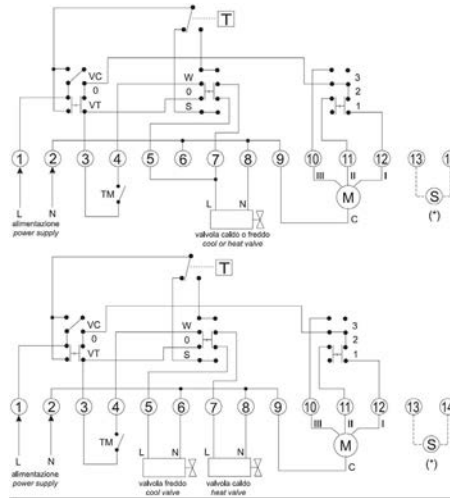
It allows:

- setting the desired temperature (10-30°C)
- selection of the 3 speeds (MIN - MED - MAX)
- ON/OFF
- manual Summer / Winter change
- continuous or thermostat-based ventilation
- control of on/off water valve

It can be connected to the remote air probe (PTABX).

The hot water minimum temperature Clickson can be connected.

Dimensions: 184 x 82 x 27 mm



HIDE3X - Plurifunctional remote control for wall installation

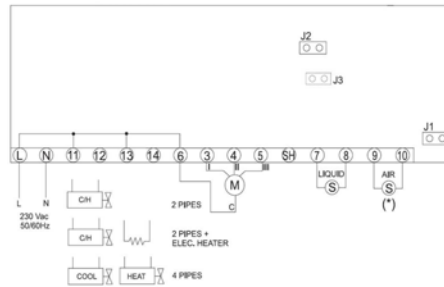
HID-E3 electro mechanical room thermostat for wall installation.

It allows:

- automatic fan speed adjustment (MIN - MED - MAX)
- silent operation (minimum fan speed)
- on/off
- ambient temperature adjustment via the control knob: the knob's central position corresponds to the comfort condition (20°C in heating mode, 24°C in cooling mode). The temperature can be changed by +/- 5°C in relation to the comfort condition by turning the knob

- automatic selection of the Summer/Winter season: the heating or cooling mode is selected automatically by detecting the water temperature supplied to the fan-coil (water temperature below 17°C = operation in cooling mode, water temperature above 21°C = operation in heating mode)
- Hot Start function: in heating mode the fan does not start until the thermal coil is not hot enough
- destratification cycle
- dirty filter warning
- minimum water temperature probe

Dimensions: 184 x 82 x 27 mm



HIDE4X - Plurifunctional room control for 0-10V valves

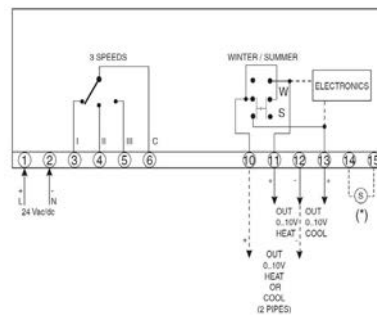
Electro mechanical room thermostat HID-E4 for wall mounting with proportional outlets for 2 or 4 pipe systems.

It allows:

- power supply 24V
- setting the desired temperature (10-30°C)
- manual Summer / Winter change
- fan speed selection (MIN - MED - MAX)
- control 0-10V coil valves for hot/cold water for thermostat controlled 2 or 4 pipe systems with adjustable working range and neutral zone (respectively 1-5°C and 1-4°C)

Set up for connection of remote air probe (PTABX).

Dimensions: 184 x 82 x 27 mm



PTABX - Remote probe for room air temperature for electromechanical thermostats

Sensors and thermostats should be located in the reference rooms, in a position enabling the actual measurement of the temperature, without any external factors influence.

Best technical solution to measure the correctly room temperature is to install the sensor in the room, on the wall of the same.

The remote room air sensor can be connected to the HID-E_ room thermostats complete with sensor input and is 1m long.

DCPX - Control device for more units with a single room control

Control device from single thermostat for max. 4 units compatible with HID-E electromechanical thermostats. (Order 1 device every 4 units)

DIN rail mounting

Dimensions: 104 X 90 X 70 mm



TMX - Hot water min. temperature thermostat

The minimum water temperature clickson stops ventilation in winter mode when the water temperature of the unit is less than 40°, thus preventing air that is not particularly warm from being placed in the room.

Also applicable to wall thermostats HIDE2, HIDE3 and HIDE4.

HIDT2X - HID-T2 electronic room control

The HID-T2 room thermostat makes it possible to interface with the control module of units equipped with Clivet Talk Terminal Space electronics (CTSP1) and to manage one or more thermostat units.

The room thermostat allows the following functions:

- setting of the desired temperature
- selection of the 3 speeds (MIN - MID - MAX) either manually or automatically
- ON/OFF
- change Summer/Winter automatically or manually with digital input
- select operation in economy mode
- set the unit's operating parameters
- setting the ventilation only mode
- control of external air shutter and control of motorized air outlet grille
- management of diagnostics with specific code for type of error

Dimensions: 123x86x27 mm

The thermostat is connected to the unit via a shielded twisted pair at a maximum distance of 15 m.



HIDT3X - HID-T3 electronic room control

The HID-T3 room climate control makes it possible to interface with the control module of units equipped with Clivet Talk Terminal Space electronics (CTSP1) and to manage one or more thermostat units.

The room thermostat allows the following functions:

- setting of the desired temperature
- selection of the 3 speeds (MIN - MID - MAX) either manually or automatically
- ON/OFF
- change summer/winter automatically, manually or remote with digital input
- select operation in economy mode
- set the unit's operating parameters
- setting the ventilation-only mode
- control of external air shutter and control of motorized air outlet grille
- humidity probe management
- humidity display
- management of diagnostics with specific code for type of error

Dimensions: 123x86x27 mm

The thermostat is connected to the unit via a shielded twisted p



HIDI8X - HID-TI8X electronic room control for 3-speed or 0-10V fan and on/off or 0-10V valve

This digital controller is intended for temperature regulation in environments equipped with fan-coil heat-cool exchangers. It controls in continuous proportional fashion the speed of high efficiency EC fan (VEC), in order to adjust the room temperature in the most suitable way. Equipped with LCD display, pre-programmable, configurable to meet the requirements of different installations. Multi-functions, with remote room air temperature sensor, for the full control of 2-4 pipes unit, with or without valves.

The HIDI8X allows the following functions:

- digital thermostat settable with manual or automatic selection of the 3 fan speeds
- manual, automatic or centralized summer/winter selection by an input, neutral zone and changeover on the supply water
- temperature control system on valves, fan or both
- LCD display with all functions displayed
- driving of On/Off valves, PWM, 3-point servo-control, 0-10V actuators, heaters, heat pumps
- special functions: economy, dirty filter warning, window contact or presence
- set-up for external and supply probe
- driving of the fan motor by 3 relays or proportional by 0-10V signal
- possibility to drive the fan motor at 230V~, the thermostat and the actuators at 24V~.



EH230X - Heating section with electrical heaters 230/1/50 with safety thermostat

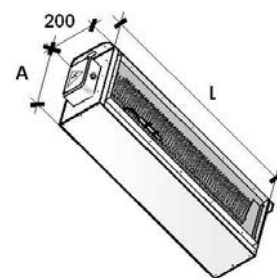
If hot water is not available, the electric heater section can be used for the utilities described above.

The electrical heaters are supplied only with safety thermostat with automatic reset. Standard supplied without power relay and without general magnetothermic switch.

It is made with a galvanised plate frame and finned aluminium heating elements that allow rapid and uniform diffusion of the heat.

Power supply 230/1/50.

For the power values available, power input and the air pressure drop, refer to the tables below.



| EH230X | | 15 | 21 | 25 | 31 | 41 | 51 | 61 | 71 |
|--------------------------|------|----------------|----------------|------------|----------------|----------------|--------------------------|----------------|------------|
| L (length) | [mm] | 800 (CC2-CC4) | 800 (CC2-CC4) | 800 (CC2) | 1200 (CC2-CC4) | 1200 (CC2-CC4) | 1200 (CC2) 1600 (CC4) | 1600 (CC2-CC4) | 1600 (CC2) |
| A (height) | [mm] | 250 | 250 | 250 | 250 | 250 | 250 | 250 | 250 |
| Heating capacity | [kW] | 6,0 (CC2-CC4) | 6,0 (CC2-CC4) | 6,0 (CC2) | 9,0 (CC2-CC4) | 9,0 (CC2-CC4) | 9,0 (CC2-CC4) | 9,0 (CC2-CC4) | 9,0 (CC2) |
| Current input | [A] | 26,1 (CC2-CC4) | 26,1 (CC2-CC4) | 26,1 (CC2) | 39,2 (CC2-CC4) | 39,2 (CC2-CC4) | 39,2 (CC2-CC4) | 39,2 (CC2-CC4) | 39,2 (CC2) |
| Air pressure drop | [Pa] | 11 (CC2-CC4) | 13 (CC2-CC4) | 12 (CC2) | 17 (CC2-CC4) | 20 (CC2-CC4) | 18 (CC2) 16 (CC4) | 20 (CC2-CC4) | 18 (CC2) |

Technical data referred to the following conditions:

Standard unit - Atmospheric pressure 1013 mbar

Indoor air temperature at 20°C

Water temperature in/out = 70°C/60°C

Nominal air flow rate = at maximum speed

Air pressure drop (Pa) referred to nominal air flow of the 2 pipe unit

CC2 = 2 pipe system configuration

CC4 = 4 pipe system configuration

EH400X - Heating section with electrical heaters 400/3/50 with safety thermostat

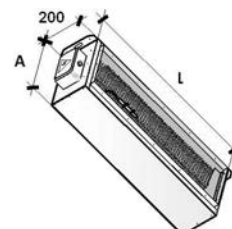
If hot water is not available, the electric heater section can be used for the utilities described above.

The electrical heaters are supplied only with safety thermostat with automatic reset. Standard supplied without power relay and without general magnetothermic switch.

It is made with a galvanised plate frame and finned aluminium heating elements that allow rapid and uniform diffusion of the heat.

Power supply 400/3/50.

For the power values available, power input and the air pressure drop, refer to the tables below.



| EH400X | | 15 | 21 | 25 | 31 | 41 | 51 | 61 | 71 |
|--------------------------|------|-----------------|-----------------|-------------|------------------|------------------|--------------------------|------------------|--------------|
| L (length) | [mm] | 800 (CC2-CC4) | 800 (CC2-CC4) | 800 (CC2) | 1200 (CC2-CC4) | 1200 (CC2-CC4) | 1200 (CC2) 1600 (CC4) | 1600 (CC2-CC4) | 1600 (CC2) |
| A (height) | [mm] | 250 | 250 | 250 | 250 | 250 | 250 | 250 | 250 |
| Heating capacity | [kW] | 3x2,0 (CC2-CC4) | 3x2,0 (CC2-CC4) | 3x2,0 (CC2) | 3x3,0 (CC2-CC4) | 3x3,0 (CC2-CC4) | 3x3,0 (CC2-CC4) | 3x3,0 (CC2-CC4) | 3x3,0 (CC2) |
| Current input | [A] | 3x8,7 (CC2-CC4) | 3x8,7 (CC2-CC4) | 3x8,7 (CC2) | 3x13,1 (CC2-CC4) | 3x13,1 (CC2-CC4) | 3x13,1 (CC2-CC4) | 3x13,1 (CC2-CC4) | 3x13,1 (CC2) |
| Air pressure drop | [Pa] | 11 (CC2-CC4) | 13 (CC2-CC4) | 12 (CC2) | 17 (CC2-CC4) | 20 (CC2-CC4) | 18 (CC2) 16 (CC4) | 20 (CC2-CC4) | 18 (CC2) |

Technical data referred to the following conditions:

Standard unit - Atmospheric pressure 1013 mbar

Indoor air temperature at 20°C

Water temperature in / out = 70°C / 60°C

Nominal air flow rate = at maximum speed

Air pressure drop (Pa) referred to nominal air flow of the 2 pipe unit

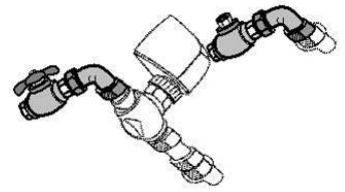
CC2 = 2 pipe system configuration

CC4 = 4 pipe system configuration

KIB22X - Water and balancing kit for 2-way valve and 2 pipe installation (available only with options: CC2)

Water and balancing kit for 2-way valve and 2-pipe system composed by:

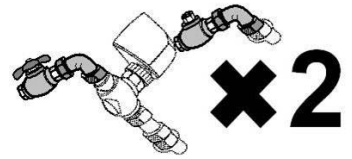
- Copper pipes 90° kit
- N°1 shut-off (ball) 3/4" (Kv = 23,5) valves for main coil
- N°1 balancing 3/4" (Kv = 4,6) valves for main coil



KIB24X - Water and balancing kit for 2-way valve and 4 pipe installation (available only with options: CC4)

Water and balancing kit for 2-way valve and 4-pipe system composed by:

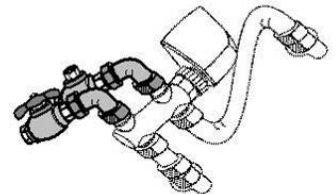
- N°2 copper pipes 90° kit
- N°1 shut-off (ball) 3/4" (Kv = 23,5) valves for main coil
- N°1 balancing 3/4" (Kv = 4,6) valves for main coil
- N°1 shut-off (ball) 1/2" (Kv = 14,6) valves for additional coil
- N°1 balancing 1/2" (Kv = 2,5) valves for additional coil



KIB32X - Water and balancing kit for 3-way valve and 2 pipe installation (available only with options: CC2)

Water and balancing kit for 3-way valve and 2-pipe system composed by:

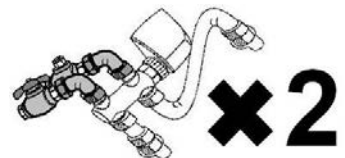
- Copper pipes 90° kit
- N°1 shut-off (ball) 3/4" (Kv = 23,5) valves for main coil
- N°1 balancing 3/4" (Kv = 4,6) valves for main coil



KIB34X - Water and balancing kit for 3-way valve and 4 pipe installation (available only with options: CC4)

Water and balancing kit for 3-way valve and 4-pipe system composed by:

- N°2 copper pipes 90° kit
- N°1 shut-off (ball) 3/4" (Kv = 23,5) valves for main coil
- N°1 balancing 3/4" (Kv = 4,6) valves for main coil
- N°1 shut-off (ball) 1/2" (Kv = 14,6) valves for additional coil
- N°1 balancing 1/2" (Kv = 2,5) valves for additional coil



MCRX - Mixing and recirculating chamber

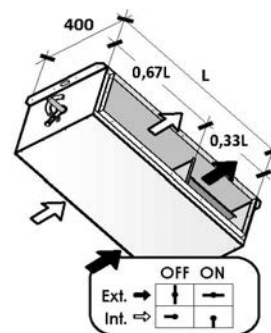
External/Internal ON/OFF mixing section in galvanized steel (external air 0-33% - internal air 100-67% or vice versa) with manual controls.

When the system needs fresh air flow, this section allows the connections of return air from the ambient duct with the intake fresh air duct.

The renewal air regulation is obtained by a coupled air lock, eventually motorized.

The plenum is suitable to be installed with fresh air intake on both sides (right and left) rotating it of 180° before the coupling with the base unit the regulating handle is an optional supplied on the indoor air inlet side. On the opposite side a bolt suitable for servo-control is supplied. (S230X, supplied separately).

Can be used for horizontal/vertical ductable units.



| MCRX | | 15 | 21 | 25 | 31 | 41 | 51 | 61 | 71 |
|--------------------------|------|---------------|---------------|-----------|----------------|----------------|--------------------------|----------------|------------|
| L (length) | [mm] | 800 (CC2-CC4) | 800 (CC2-CC4) | 800 (CC2) | 1200 (CC2-CC4) | 1200 (CC2-CC4) | 1200 (CC2) 1600 (CC4) | 1600 (CC2-CC4) | 1600 (CC2) |
| A (height) | [mm] | 250 | 250 | 250 | 250 | 250 | 250 | 250 | 250 |
| Air pressure drop | [Pa] | 13 (CC2-CC4) | 15 (CC2-CC4) | 14 (CC2) | 20 (CC2-CC4) | 24 (CC2-CC4) | 22 (CC2) 20 (CC4) | 24 (CC2-CC4) | 22 (CC2) |

Technical data referred to the following conditions:

Nominal air flow rate = at maximum speed

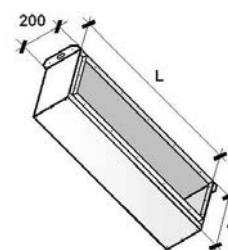
Air pressure drop (Pa) referred to nominal air flow of the 2 pipe unit

CC2 = 2 pipe system configuration

CC4 = 4 pipe system configuration

PMAX - Straight section for both air intake / supply outlets

Straight section (empty section) in galvanized steel suitable for horizontal and vertical versions.



| PMAX | | 15 | 21 | 25 | 31 | 41 | 51 | 61 | 71 |
|--------------------------|------|----------------|----------------|------------|----------------|----------------|--------------------------|----------------|------------|
| L (length) | [mm] | 800 (CC2-CC4) | 800 (CC2-CC4) | 800 (CC2) | 1200 (CC2-CC4) | 1200 (CC2-CC4) | 1200 (CC2) 1600 (CC4) | 1600 (CC2-CC4) | 1600 (CC2) |
| A (height) | [mm] | 250 | 250 | 250 | 250 | 250 | 250 | 250 | 250 |
| Air pressure drop | [Pa] | < 10 (CC2-CC4) | < 10 (CC2-CC4) | < 10 (CC2) | < 10 (CC2-CC4) | < 10 (CC2-CC4) | < 10 (CC2-CC4) | < 10 (CC2-CC4) | < 10 (CC2) |

Technical data referred to the following conditions:

Nominal air flow rate = at maximum speed

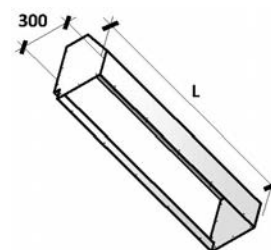
Air pressure drop (Pa) referred to nominal air flow of the 2 pipe unit

CC2 = 2 pipe system configuration

CC4 = 4 pipe system configuration

P90MAX - 90° section for both air supply outlets

90° section (galvanized steel) for air supply suitable for horizontal and vertical installations.



PR90AX - 90° air intake plenum

Differs that supply air plenum (P90MAX) only plenum/unit connection.

| P90MAX - PR90AX | | 15 | 21 | 25 | 31 | 41 | 51 | 61 | 71 |
|--------------------------|------|----------------|----------------|------------|----------------|----------------|--------------------------|----------------|----------------|
| L (length) | [mm] | 800 (CC2-CC4) | 800 (CC2-CC4) | 800 (CC2) | 1200 (CC2-CC4) | 1200 (CC2-CC4) | 1200 (CC2) 1600 (CC4) | 1600 (CC2-CC4) | 1600 (CC2) |
| Air pressure drop | [Pa] | < 10 (CC2-CC4) | < 10 (CC2-CC4) | < 10 (CC2) | < 10 (CC2-CC4) | < 10 (CC2-CC4) | < 10 (CC2-CC4) | < 10 (CC2-CC4) | < 10 (CC2-CC4) |

Technical data referred to the following conditions:

Nominal air flow rate = at maximum speed

Air pressure drop (Pa) referred to nominal air flow of the 2 pipe unit

CC2 = 2 pipe system configuration

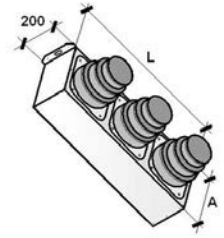
CC4 = 4 pipe system configuration

PCCMAX - Section with spigots “Ø” with variable diameter and internal insulation for both air supply outlets

Steel supply section with spigots “Ø” with variable diameter made of plastic material (internal insulation).

Diameter of spigots:

- Ø max: 200mm
- Ø med: 180mm
- Ø min: 160mm



PCCRIX - Section with spigots “Ø” with variable diameter and internal insulation for air intake outlets

Differs that supply air sections (PCCMAX) only plenum/unit connection.

| PCCMAX - PCCRIX | | 15 | 21 | 25 | 31 | 41 | 51 | 61 | 71 |
|--------------------------|------|---------------|---------------|-----------|----------------|----------------|--------------------------|----------------|------------|
| L (length) | [mm] | 800 (CC2-CC4) | 800 (CC2-CC4) | 800 (CC2) | 1200 (CC2-CC4) | 1200 (CC2-CC4) | 1200 (CC2) 1600 (CC4) | 1600 (CC2-CC4) | 1600 (CC2) |
| A (height) | [mm] | 250 | 250 | 250 | 250 | 250 | 250 | 250 | 250 |
| Spigots | [n] | 3 (CC2-CC4) | 3 (CC2-CC4) | 3 (CC2) | 5 (CC2-CC4) | 5 (CC2-CC4) | 5 (CC2) 6 (CC4) | 6 (CC2-CC4) | 6 (CC2) |
| Air pressure drop | [Pa] | 18 (CC2-CC4) | 21 (CC2-CC4) | 19 (CC2) | 27 (CC2-CC4) | 33 (CC2-CC4) | 30 (CC2) 27 (CC4) | 33 (CC2-CC4) | 30 (CC2) |

Technical data referred to the following conditions:

Nominal air flow rate = at maximum speed

Air pressure drop (Pa) referred to nominal air flow of the 2 pipe unit

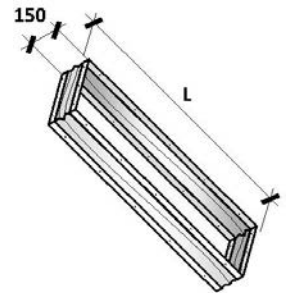
CC2 = 2 pipe system configuration

CC4 = 4 pipe system configuration

PGFMAX - Anti-vibration section for both air supply outlets

The supply and return air sections in galvanized sheet metal with flexible joint, may be particularly indicated for simplifying the matching of the units with fixed ducts or with grids.

Height for all sizes in 2 or 4 pipe system = 250 mm.



PGFRIX - Anti-vibration section for air intake outlets

Differs that supply air sections with flexible joint (PGFMAX) only plenum/unit connection.

| PGFMAX - PGFRIX | | 15 | 21 | 25 | 31 | 41 | 51 | 61 | 71 |
|--------------------------|------|----------------|----------------|------------|----------------|----------------|--------------------------|----------------|------------|
| L (length) | [mm] | 800 (CC2-CC4) | 800 (CC2-CC4) | 800 (CC2) | 1200 (CC2-CC4) | 1200 (CC2-CC4) | 1200 (CC2) 1600 (CC4) | 1600 (CC2-CC4) | 1600 (CC2) |
| Air pressure drop | [Pa] | < 10 (CC2-CC4) | < 10 (CC2-CC4) | < 10 (CC2) | < 10 (CC2-CC4) | < 10 (CC2-CC4) | < 10 (CC2-CC4) | < 10 (CC2-CC4) | < 10 (CC2) |

Data referred to the following conditions:

Nominal air flow rate = at maximum speed

Air pressure drop (Pa) referred to nominal air flow of the 2 pipe unit

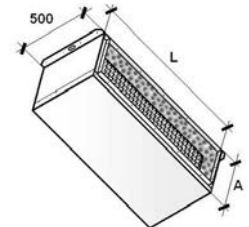
CC2 = 2 pipe system configuration

CC4 = 4 pipe system configuration

SILMAX - Labyrinth noise level attenuator section for both air intake / supply outlets

The silencing sections in galvanised sheet metal contribute to noise reduction that occurs and propagates in ventilation and air conditioning systems, due to the presence of components such as fans and various types of dampers.

The control of noise produced by the installations requires a proper use of these sections in order to obtain, in environment, sound pressure levels in accordance with the standards and specifications of the project.



| SILMAX | | 15 | 21 | 25 | 31 | 41 | 51 | 61 | 71 |
|--------------------------|-------|---------------|---------------|-----------|----------------|----------------|--------------------------|----------------|------------|
| L (length) | [mm] | 800 (CC2-CC4) | 800 (CC2-CC4) | 800 (CC2) | 1200 (CC2-CC4) | 1200 (CC2-CC4) | 1200 (CC2) 1600 (CC4) | 1600 (CC2-CC4) | 1600 (CC2) |
| A (height) | [mm] | 250 | 250 | 250 | 250 | 250 | 250 | 250 | 250 |
| Noise attenuation | [dBA] | 6 (CC2-CC4) | 6 (CC2-CC4) | 6 (CC2) | 7 (CC2-CC4) | 7 (CC2-CC4) | 7 (CC2) 8 (CC4) | 8 (CC2-CC4) | 8 (CC2) |
| Air pressure drop | [Pa] | 23 (CC2-CC4) | 28 (CC2-CC4) | 26 (CC2) | 37 (CC2-CC4) | 44 (CC2-CC4) | 40 (CC2) 36 (CC4) | 44 (CC2-CC4) | 40 (CC2) |

Technical data referred to the following conditions:

Nominal air flow rate = at maximum speed

Air pressure drop (Pa) referred to nominal air flow of the 2 pipe unit

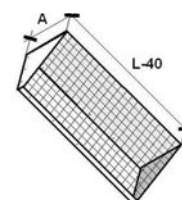
CC2 = 2 pipe system configuration

CC4 = 4 pipe system configuration

CUFMX - Air outlet casing with bird-proof grill

Supply galvanized steel section with bird-proof grill for outdoor installation just of the unit ventilating section used like ventilating box.

Only suitable for air supply.



| CUFMX | | 15 | 21 | 25 | 31 | 41 | 51 | 61 | 71 |
|--------------------------|------|----------------|----------------|------------|----------------|----------------|--------------------------|----------------|------------|
| L (length) | [mm] | 800 (CC2-CC4) | 800 (CC2-CC4) | 800 (CC2) | 1200 (CC2-CC4) | 1200 (CC2-CC4) | 1200 (CC2) 1600 (CC4) | 1600 (CC2-CC4) | 1600 (CC2) |
| A (height) | [mm] | 250 | 250 | 250 | 250 | 250 | 250 | 250 | 250 |
| Air pressure drop | [Pa] | < 10 (CC2-CC4) | < 10 (CC2-CC4) | < 10 (CC2) | < 10 (CC2-CC4) | < 10 (CC2-CC4) | < 10 (CC2-CC4) | < 10 (CC2-CC4) | < 10 (CC2) |

Technical data referred to the following conditions:

Nominal air flow rate = at maximum speed

Air pressure drop (Pa) referred to nominal air flow of the 2 pipe unit

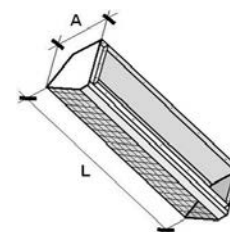
CC2 = 2 pipe system configuration

CC4 = 4 pipe system configuration

CUFAX - Air intake casing with bird-proof grill and EU3 air filter (Eurovent 4/5)

Air intake casing with bird-proof grill and flat air filter for outdoor installation.

Only suitable for air intake.



| CUFAX | | 15 | 21 | 25 | 31 | 41 | 51 | 61 | 71 |
|---|------|---------------|---------------|-----------|----------------|----------------|--------------------------|----------------|------------|
| L (length) | [mm] | 800 (CC2-CC4) | 800 (CC2-CC4) | 800 (CC2) | 1200 (CC2-CC4) | 1200 (CC2-CC4) | 1200 (CC2) 1600 (CC4) | 1600 (CC2-CC4) | 1600 (CC2) |
| A (height) | [mm] | 250 | 250 | 250 | 250 | 250 | 250 | 250 | 250 |
| Air pressure drop (clean filter) | [Pa] | 15 (CC2-CC4) | 17 (CC2-CC4) | 16 (CC2) | 23 (CC2-CC4) | 27 (CC2-CC4) | 25 (CC2) 22 (CC4) | 28 (CC2-CC4) | 25 (CC2) |

Technical data referred to the following conditions:

Nominal air flow rate = at maximum speed

Air pressure drop (Pa) referred to nominal air flow of the 2 pipe unit

CC2 = 2 pipe system configuration

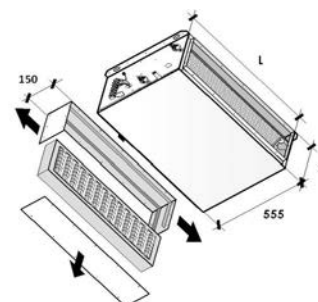
CC4 = 4 pipe system configuration

SFHEX - Air filter section (ductable) with EU5 air filter (Eurovent 4/5)

Ductable air filter section made of false frame in 4 parts in galvanized steel and high efficiency undulated air filter H=100mm EU5 (Eurovent 4/5).

Air filter removable from any side.

It can be regenerated by water-washing, blowing, vacuuming.



| SFHEX | | 15 | 21 | 25 | 31 | 41 | 51 | 61 | 71 |
|---|------|---------------|---------------|-----------|----------------|----------------|--------------------------|----------------|------------|
| L (length) | [mm] | 800 (CC2-CC4) | 800 (CC2-CC4) | 800 (CC2) | 1200 (CC2-CC4) | 1200 (CC2-CC4) | 1200 (CC2) 1600 (CC4) | 1600 (CC2-CC4) | 1600 (CC2) |
| A (height) | [mm] | 250 | 250 | 250 | 250 | 250 | 250 | 250 | 250 |
| Air pressure drop (clean filter) | [Pa] | 20 (CC2-CC4) | 24 (CC2-CC4) | 22 (CC2) | 32 (CC2-CC4) | 38 (CC2-CC4) | 35 (CC2) 31 (CC4) | 39 (CC2-CC4) | 35 (CC2) |

Technical data referred to the following conditions:

Nominal air flow rate = at maximum speed

Air pressure drop (Pa) referred to nominal air flow of the 2 pipe unit

CC2 = 2 pipe system configuration

CC4 = 4 pipe system configuration

S230X - ON/OFF 230V servomotor for mixing and recirculation chamber (available only with options: MCRX)

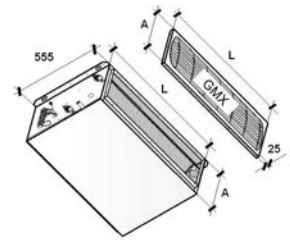
Servomotor with adjustable connection and spring return having the following features:

- required torque for operating = 5 Nxm/m²
- servomotor power = 2 Nxm
- power supply = 230Vac ON/OFF



GMX - Supply grille

Steel panel with ABS air supply grill, without air filter. Only for air supply outlet.



| GMX | | 15 | 21 | 25 | 31 | 41 | 51 | 61 | 71 |
|--------------------------|------|---------------|---------------|-----------|----------------|----------------|--------------------------|----------------|------------|
| L (length) | [mm] | 800 (CC2-CC4) | 800 (CC2-CC4) | 800 (CC2) | 1200 (CC2-CC4) | 1200 (CC2-CC4) | 1200 (CC2) 1600 (CC4) | 1600 (CC2-CC4) | 1600 (CC2) |
| A (height) | [mm] | 250 | 250 | 250 | 250 | 250 | 250 | 250 | 250 |
| Air pressure drop | [Pa] | 12 (CC2-CC4) | 14 (CC2-CC4) | 13 (CC2) | 18 (CC2-CC4) | 22 (CC2-CC4) | 20 (CC2) 18 (CC4) | 22 (CC2-CC4) | 20 (CC2) |

Technical data referred to the following conditions:

Nominal air flow rate = at maximum speed

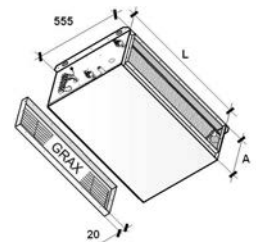
Air pressure drop (Pa) referred to nominal air flow of the 2 pipe unit

CC2 = 2 pipe system configuration

CC4 = 4 pipe system configuration

GRAX - Return grille with filter

Steel panel with ABS air intake grill + flat air filter, EU3 filtering level (Eurovent 4/5). Only for air intake outlet.



| GRAX | | 15 | 21 | 25 | 31 | 41 | 51 | 61 | 71 |
|---|------|---------------|---------------|-----------|----------------|----------------|--------------------------|----------------|------------|
| L (length) | [mm] | 800 (CC2-CC4) | 800 (CC2-CC4) | 800 (CC2) | 1200 (CC2-CC4) | 1200 (CC2-CC4) | 1200 (CC2) 1600 (CC4) | 1600 (CC2-CC4) | 1600 (CC2) |
| A (height) | [mm] | 250 | 250 | 250 | 250 | 250 | 250 | 250 | 250 |
| Air pressure drop (clean filter) | [Pa] | 26 (CC2-CC4) | 31 (CC2-CC4) | 29 (CC2) | 41 (CC2-CC4) | 49 (CC2-CC4) | 45 (CC2) 40 (CC4) | 50 (CC2-CC4) | 45 (CC2) |

Technical data referred to the following conditions:

Nominal air flow rate = at maximum speed

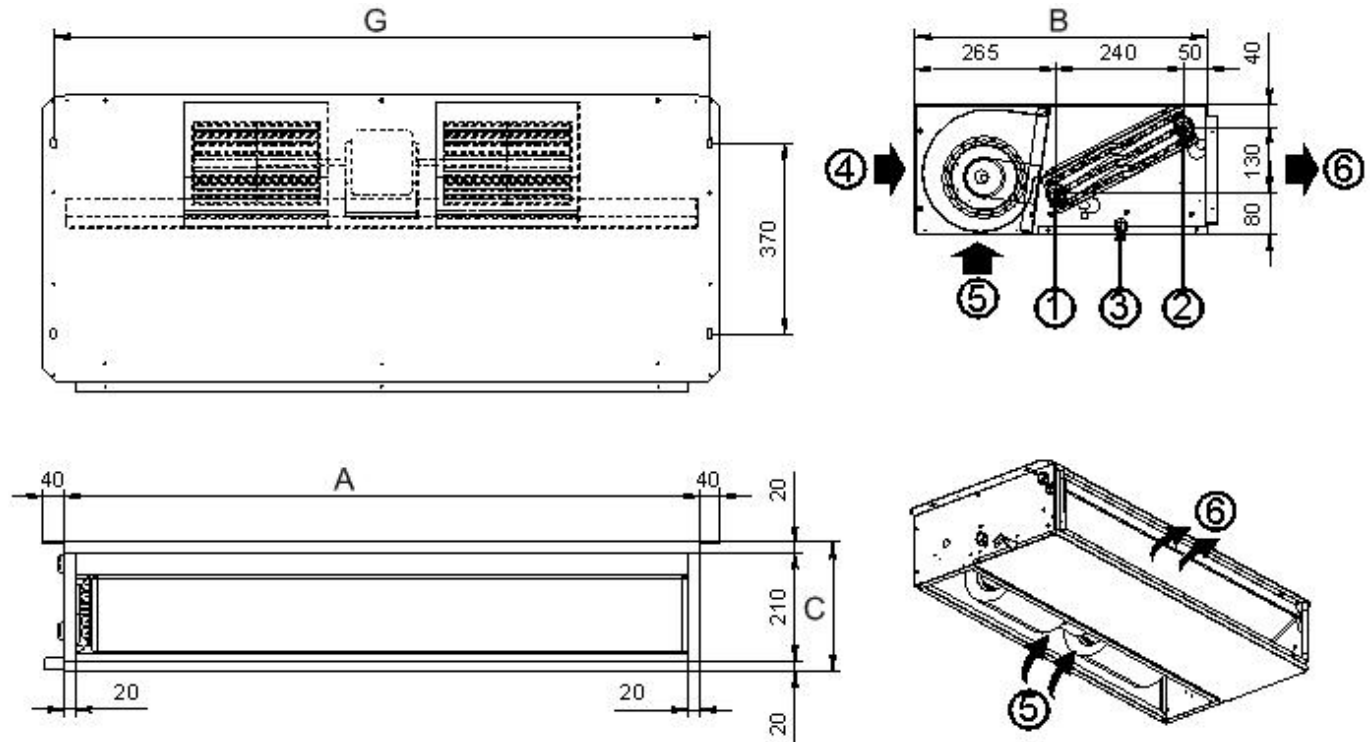
Air pressure drop (Pa) referred to nominal air flow of the 2 pipe unit

CC2 = 2 pipe system configuration

CC4 = 4 pipe system configuration

Dimensional drawings

ELFODuct MP INH CC2 - Horizontal unit concealed - 2 pipe system



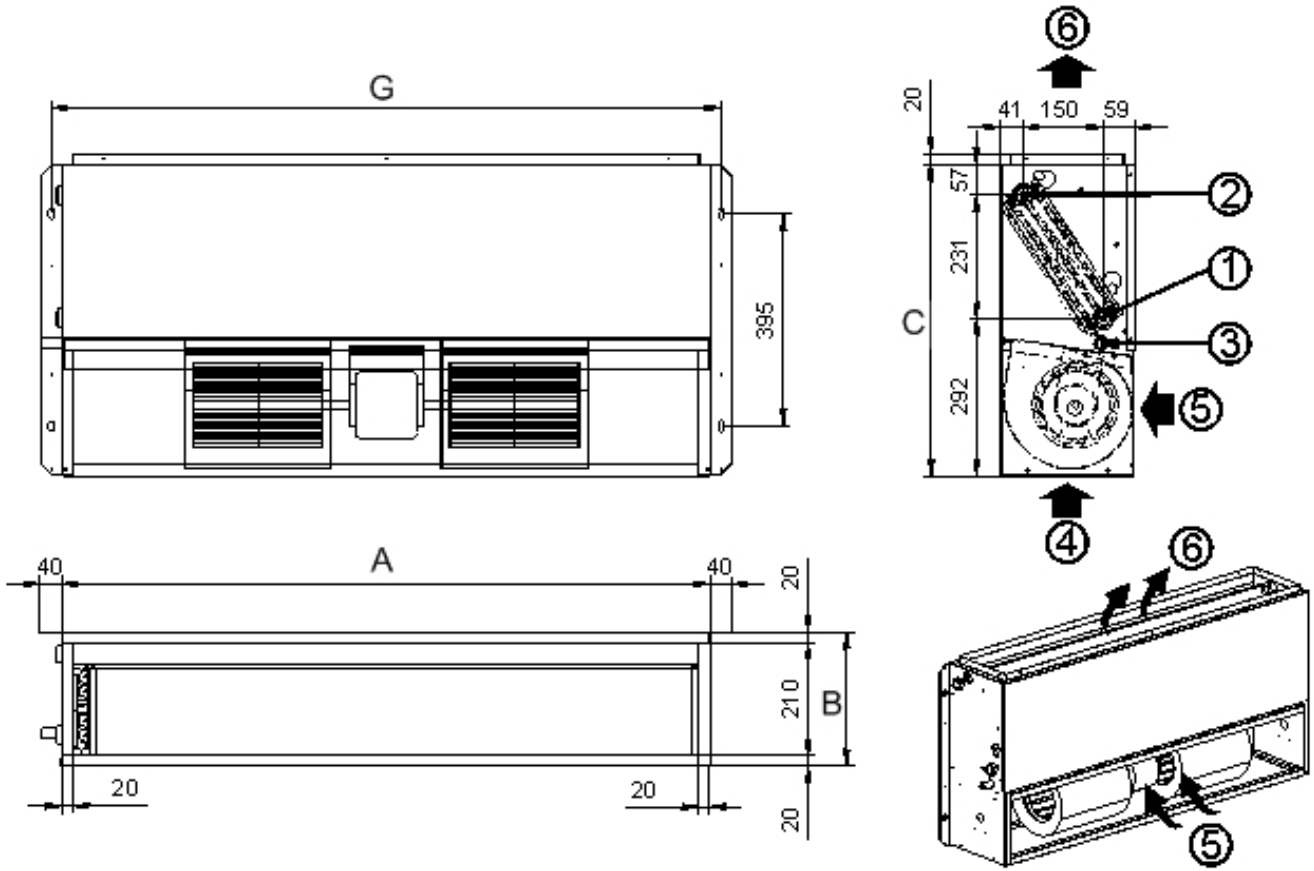
1. Water inlet main coil, 3/4"F
2. Water outlet main coil 3/4"F
3. Condensation drainage Ø 20mm
4. Standard air intake (RP)
5. Intake from below (R3)
6. Standard supply

| ELFODUCT MP - INH - CC2 | | | | | | | | | |
|-------------------------|------|-----|-----|-----|------|------|------|------|------|
| Size | | 15 | 21 | 25 | 31 | 41 | 51 | 61 | 71 |
| A (Length) | [mm] | 800 | 800 | 800 | 1200 | 1200 | 1200 | 1600 | 1600 |
| B (Depth) | [mm] | 555 | 555 | 555 | 555 | 555 | 555 | 555 | 555 |
| C (Height) | [mm] | 250 | 250 | 250 | 250 | 250 | 250 | 250 | 250 |
| G | [mm] | 846 | 846 | 846 | 1246 | 1246 | 1246 | 1646 | 1646 |
| Operating weight | [kg] | 34 | 35 | 37 | 48 | 50 | 53 | 65 | 68 |
| Shipping weight | [kg] | 37 | 38 | 40 | 51 | 53 | 56 | 68 | 71 |



Duct NESTING connection: Male air supply outlet; Female air intake suction.

ELFODuct MP INV CC2 - Vertical unit concealed - 2 pipe system



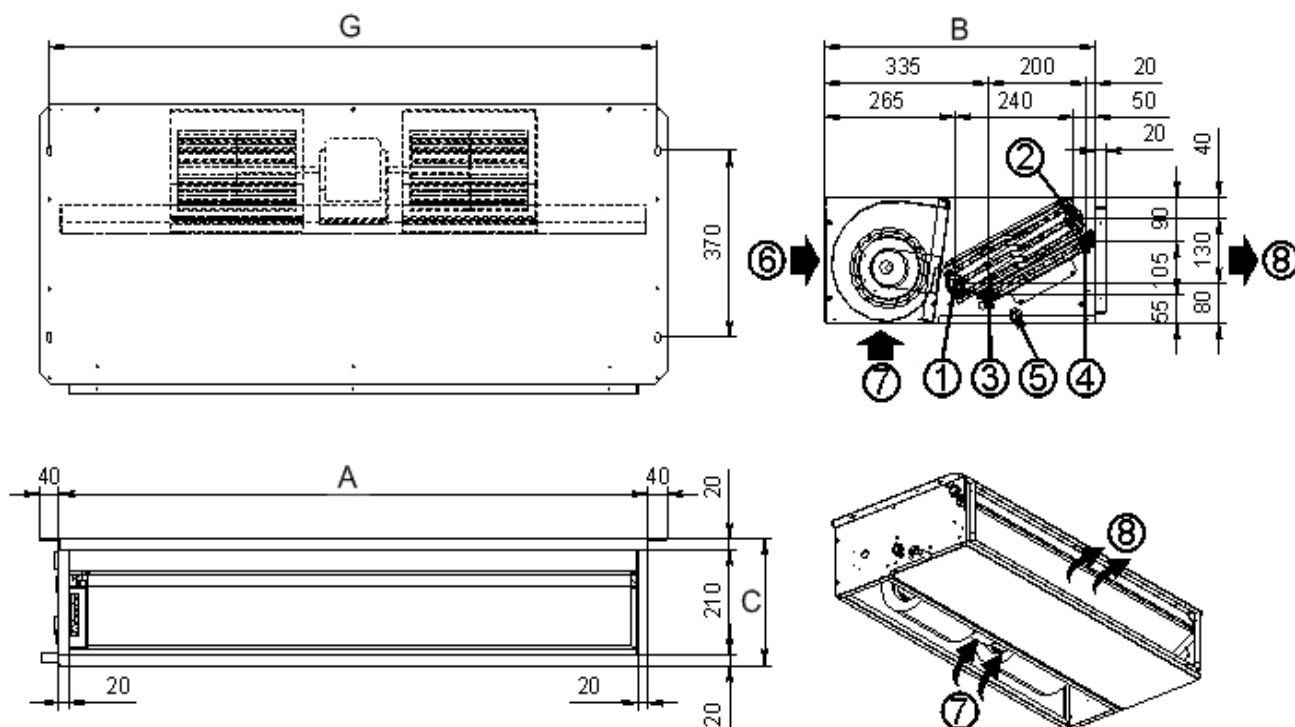
1. Water inlet main coil 3/4"F
2. Water outlet main coil 3/4"F
3. Condensation drainage Ø 20mm
4. Intake from below (R3)
5. Front air intake (RF)
6. Standard supply

| | | ELFODUCT MP - INV - CC2 | | | | | | | |
|------------------|------|-------------------------|-----|-----|------|------|------|------|------|
| Size | | 15 | 21 | 25 | 31 | 41 | 51 | 61 | 71 |
| A (Length) | [mm] | 800 | 800 | 800 | 1200 | 1200 | 1200 | 1600 | 1600 |
| B (Depth) | [mm] | 250 | 250 | 250 | 250 | 250 | 250 | 250 | 250 |
| C (Height) | [mm] | 580 | 580 | 580 | 580 | 580 | 580 | 580 | 580 |
| G | [mm] | 846 | 846 | 846 | 1246 | 1246 | 1246 | 1646 | 1646 |
| Operating weight | [kg] | 34 | 35 | 37 | 48 | 50 | 53 | 65 | 68 |
| Shipping weight | [kg] | 37 | 38 | 40 | 51 | 53 | 56 | 68 | 71 |



Duct NESTING connection: Male air supply outlet; Female air intake suction.

ELFODuct MP INH CC4 - Horizontal unit concealed - 4 pipe system



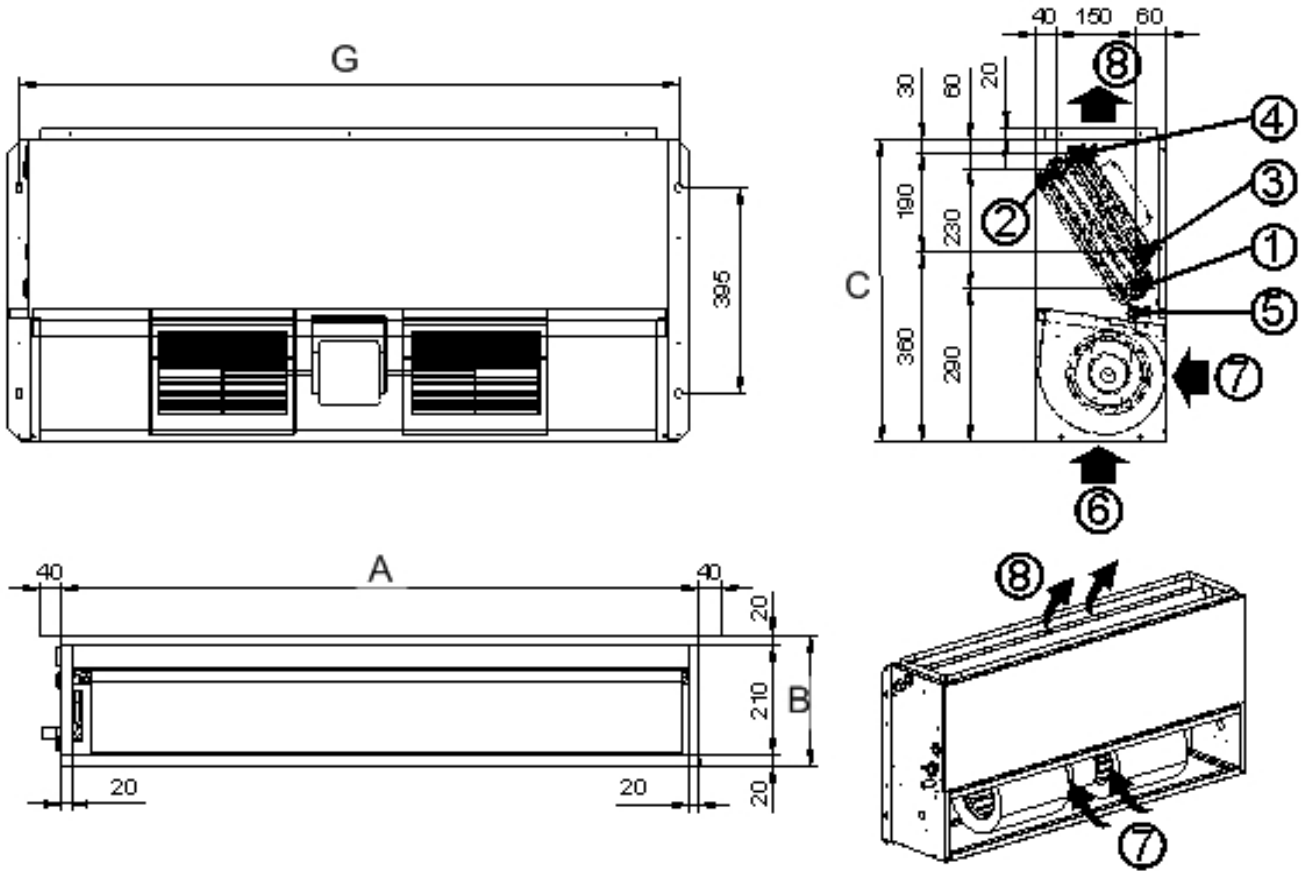
1. Water inlet main coil 3/4"F
2. Water outlet main coil 3/4"F
3. Additional coil water inlet (4 pipe system) 1/2"F
4. Additional coil water outlet (4 pipe system) 1/2"F
5. Condensation drainage \varnothing 20mm
6. Standard air intake (RP)
7. Intake from below (R3)
8. Standard supply

| | | ELFODUCT MP - INH - CC4 | | | | | |
|------------------|------|-------------------------|-----|------|------|------|------|
| Size | | 15 | 21 | 31 | 41 | 51 | 61 |
| A (Length) | [mm] | 800 | 800 | 1200 | 1200 | 1600 | 1600 |
| B (Depth) | [mm] | 555 | 555 | 555 | 555 | 555 | 555 |
| C (Height) | [mm] | 250 | 250 | 250 | 250 | 250 | 250 |
| G | [mm] | 846 | 846 | 1246 | 1246 | 1646 | 1646 |
| Operating weight | [kg] | 36 | 37 | 51 | 53 | 67 | 69 |
| Shipping weight | [kg] | 39 | 40 | 54 | 56 | 70 | 72 |



Duct NESTING connection: Male air supply outlet; Female air intake suction.

ELFODuct MP INV CC4 - Vertical unit concealed - 4 pipe system



1. Water inlet main coil 3/4"F
2. Water outlet main coil 3/4"F
3. Additional coil water inlet (4 pipe system) 1/2"F
4. Additional coil water outlet (4 pipe system) 1/2"F
5. Condensation drainage Ø 20mm
6. Intake from below (R3)
7. Front air intake (RF)
8. Standard supply

| ELFODUCT MP - INV - CC4 | | | | | | | |
|-------------------------|------|-----|-----|------|------|------|------|
| Size | | 15 | 21 | 31 | 41 | 51 | 61 |
| A (Length) | [mm] | 800 | 800 | 1200 | 1200 | 1600 | 1600 |
| B (Depth) | [mm] | 250 | 250 | 250 | 250 | 250 | 250 |
| C (Height) | [mm] | 580 | 580 | 580 | 580 | 580 | 580 |
| G | [mm] | 846 | 846 | 1246 | 1246 | 1646 | 1646 |
| Operating weight | [kg] | 36 | 37 | 51 | 53 | 67 | 69 |
| Shipping weight | [kg] | 39 | 40 | 54 | 56 | 70 | 72 |



Duct NESTING connection: Male air supply outlet; Female air intake suction.

Page intentionally left blank



CLIVET SPA

Via Camp Lonc 25, Z.I. Villapaiera - 32032 Feltre (BL) - Italy
Tel. + 39 0439 3131 - Fax + 39 0439 313300 - info@clivet.it

CLIVET GROUP UK LIMITED

4 Kingdom Close, Segensworth East - Fareham, Hampshire - PO15 5TJ - United Kingdom
Tel. + 44 (0) 1489 572238 - Fax + 44 (0) 1489 573033 - enquiries@clivetgroup.co.uk

CLIVET GROUP UK Limited (Service Department)

Units F5&F6 Railway Triangle Ind Est, Walton Road - Portsmouth, Hampshire - PO6 1TG - United Kingdom
Tel. +44 (0) 2392 381235 - Fax. +44 (0) 2392 381243 - service@clivetgroup.co.uk

CLIVET ESPAÑA S.A.U.

C/ Bac de Roda, 36 - 08019 Barcelona - España
Tel: +34 93 8606248 - Fax +34 93 8855392 - info@clivet.es

Av.Manoteras Nº 38, Oficina C303 - 28050 Madrid - España
Tel. +34 91 6658280 - Fax +34 91 6657806 - info@clivet.es

CLIVET GmbH (Hydronic and Applied Division)

Hummelsbütteler Steindamm 84, 22851 Norderstedt - Germany
Tel. + 49 (0) 40 32 59 57-0 - Fax + 49 (0) 40 32 59 57-194 - info.de@clivet.com

CLIVET GmbH (VRF, Residential and Lightcom Division)

Eisenstrasse 9c, 65428 Rüsselsheim/Frankfurt - Germany
Tel. + 49 (0) 6142 83594-0 - Fax + 49 (0) 6142 83594-20 - vrf.de@clivet.com

CLIVET RUSSIA

Elektrozavodskaya st. 24, office 509 - 107023, Moscow, Russia
Tel. + 74956462009 - Fax + 74956462009 - info.ru@clivet.com

CLIVET MIDEAST FZCO

Dubai Silicon Oasis (DSO), High Bay Complex, Office N. 20, PO BOX 342009, Dubai, UAE
Tel. + 9714 3208499 - Fax + 9714 3208216 - info@clivet.ae

CLIVET AIRCONDITIONING SYSTEMS PRIVATE LIMITED

4BA, Gundecha Onclave, Kherani Road - Sakinaka, Andheri (East) - Mumbai 400 072 - India
Tel. +91 22 6193 7000 - Fax +91 22 6193 7001 - info.in@clivet.com

www.clivet.com
www.clivetlive.com

A Group Company of

