



INSTALLATION AND OPERATING MANUAL

# Console-SM 2 Console-SL 2

FLOOR-STANDING TYPE AIR CONDITIONER



CONSOLE-SM 2 (for MONOSplit systems):

Series IC2-XY from 27M to 35M

CONSOLE-SL 2 (for LIGHT Commercial systems):

Series S.IC2+MC2-Y 35M

Nominal cooling capacity  
from 2,6 to 3,5 kW



Change living home

# Table of Contents

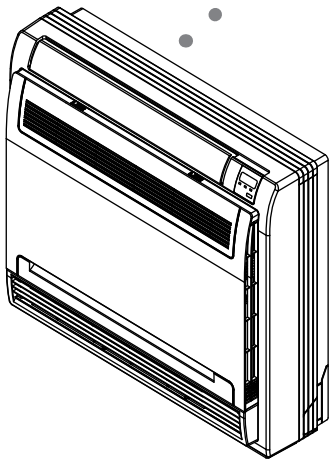
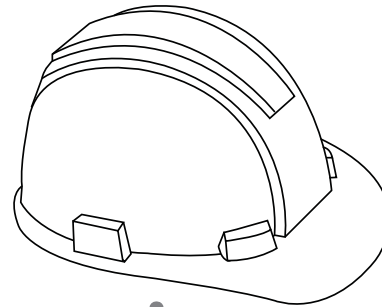
## Installation Manual



### IMPORTANT NOTE:

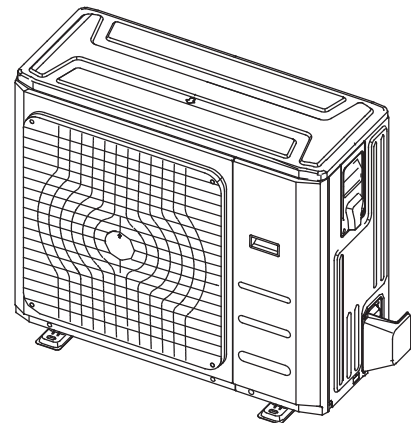
Read this manual carefully before installing or operating your new air conditioning unit. Make sure to save this manual for future reference.

|   |                             |    |
|---|-----------------------------|----|
| 1 | Accessories .....           | 04 |
| 2 | Safety Precautions .....    | 05 |
| 3 | Installation Overview ..... | 06 |

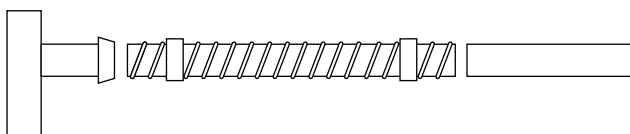


|   |  |    |
|---|--|----|
| 4 | Indoor Unit Installation .....                 | 07 |
|   | a. Indoor Unit Parts .....                     | 07 |
|   | b. Indoor Unit Installation Instructions ..... | 08 |

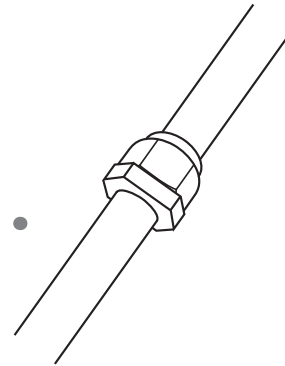
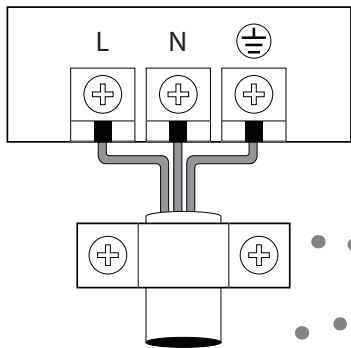
|   |   |    |
|---|---|----|
| 5 | Outdoor Unit Installation .....                 | 12 |
|   | a. Outdoor Unit Installation Instructions ..... | 12 |
|   | b. Outdoor Unit Types and Specifications .....  | 13 |
|   | c. Notes on Drilling Hole in Wall .....         | 14 |



|   |                              |    |
|---|------------------------------|----|
| 6 | Drainpipe Installation ..... | 15 |
|---|------------------------------|----|

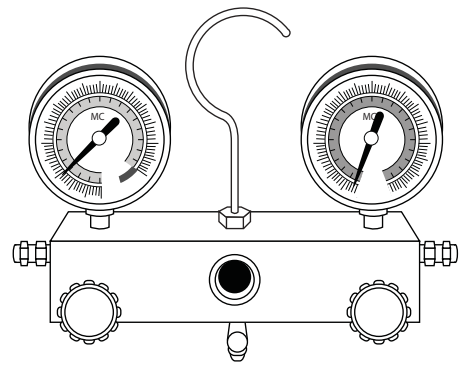


|          |   |    |
|----------|---|----|
| <b>7</b> | Refrigerant Piping Connection.....                | 17 |
|          | A. Notes on Pipe Length and Elevation .....       | 17 |
|          | B. Refrigerant Piping Connection Instructions ... | 18 |



|          |                               |    |
|----------|-------------------------------|----|
| <b>8</b> | Wiring.....                   | 20 |
|          | a. Outdoor Unit Wiring .....  | 20 |
|          | b. Indoor Unit Wiring .....   | 21 |
|          | c. Power Specifications ..... | 22 |

|          |                                     |    |
|----------|-------------------------------------|----|
| <b>9</b> | Air Evacuation.....                 | 23 |
|          | a. Evacuation Instructions .....    | 23 |
|          | b. Note on Adding Refrigerant ..... | 24 |



**Caution: Risk of fire**  
(R32/R290 refrigerant)

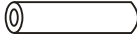



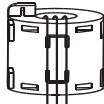
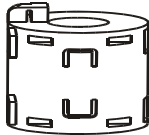


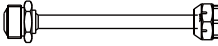
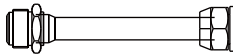

|           |                                    |    |
|-----------|------------------------------------|----|
| <b>10</b> | Test Run .....                     | 25 |
| <b>11</b> | European Disposal Guidelines ..... | 26 |
| <b>12</b> | Information Servicing .....        | 27 |
| <b>13</b> | Technical information.....         | 32 |

Wiring diagrams at the end of the manual

# Accessories

# 1

The air conditioning system comes with the following accessories. Use all of the installation parts and accessories to install the air conditioner. Improper installation may result in water leakage, electrical shock and fire, or equipment failure.

|   | NAME  | SHAPE   | QUANTITY              |
|---|---|---|-----------------------|
| Refrigeration Fittings                        | Soundproof / insulation sheath (some models)  |                  | 2                     |
| Installation Fittings                         | Hook  |                  | 2                     |
| Drainpipe Fittings<br>(for cooling & heating) | Drain joint (some models)   |                  | 1                     |
|   | Seal ring (some models)   |                  | 1                     |
| EMC Magnetic Ring<br>(some models)            | Magnetic ring<br>(wrap the electric wires S1 & S2 ( P & Q & E )<br>around the magnetic ring twice)  | <br>S1&S2(P&Q&E) | 1                     |
|   | Magnetic ring<br>(Hitch on the connective cable between the indoor<br>unit and outdoor unit after installation.)  |                 | 1                     |
| Others  | Installation and operating manual   |                | 1                     |
|   | Transfer connector( $\Phi 12.7$ - $\Phi 15.9$ )/<br>( $\Phi 0.5$ in- $\Phi 0.63$ in)(Packed with the indoor unit )<br>NOTE: Pipe size may differ from appliance to<br>appliance. To meet different pipe size requirements,<br>sometimes the pipe connections need a transfer<br>connector installed on the outdoor unit .                                       |                | 1<br>(on some models) |
|   | Transfer connector( $\Phi 6.35$ - $\Phi 9.52$ )/<br>( $\Phi 0.25$ in- $\Phi 0.375$ in)(Packed with the indoor unit)<br>NOTE: Pipe size may differ from appliance to<br>appliance. To meet different pipe size requirements,<br>sometimes the pipe connections need a transfer<br>connector installed on the outdoor unit .                                      |                | 1<br>(on some models) |
|   | Transfer connector( $\Phi 9.52$ - $\Phi 12.7$ )/<br>( $\Phi 0.375$ in- $\Phi 0.5$ in) (Packed with the indoor unit,<br>used for multi-type models only )<br>NOTE: Pipe size may differ from appliance to<br>appliance. To meet different pipe size requirements,<br>sometimes the pipe connections need a transfer<br>connector installed on the outdoor unit . |                | 1<br>(on some models) |
|   | Red short connected wire<br>(Applied to the W/L pin of outdoor unit<br>terminal block be short-circuited.)  |                | 1(on some models)     |

## Optional accessories

- There are two types of remote controls: wired and wireless.  
Select a remote controller based on customer preferences and requirements and install in an appropriate place.  
Refer to catalogues and technical literature for guidance on selecting a suitable remote controller.

## Read Safety Precautions Before Installation

Incorrect installation due to ignoring instructions can cause serious damage or injury. The seriousness of potential damage or injuries is classified as either a **WARNING** or **CAUTION**.



**WARNING**

Failure to observe a warning may result in death. The appliance must be installed in accordance with national regulations.



**CAUTION**

Failure to observe a caution may result in injury or equipment damage.

### **WARNING**

- Carefully read the Safety Precautions before installation.
- In certain functional environments, such as kitchens, server rooms, etc., the use of specially designed air-conditioning units is highly recommended.
- Only trained and certified technicians should install, repair and service this air conditioning unit.  
Improper installation may result in electrical shock, short circuit, leaks, fire or other damage to the equipment and personal property.
- Strictly follow the installation instructions set forth in this manual.  
Improper installation may result in electrical shock, short circuit, leaks, fire or other damage to the equipment.
- Before you install the unit, consider strong winds, typhoons and earthquakes that might affect your unit and locate it accordingly. Failure to do so could cause the equipment to fail.
- After installation, ensure there are no refrigerant leaks and that the unit is operating properly. Refrigerant is both toxic and flammable and poses a serious health and safety risk.

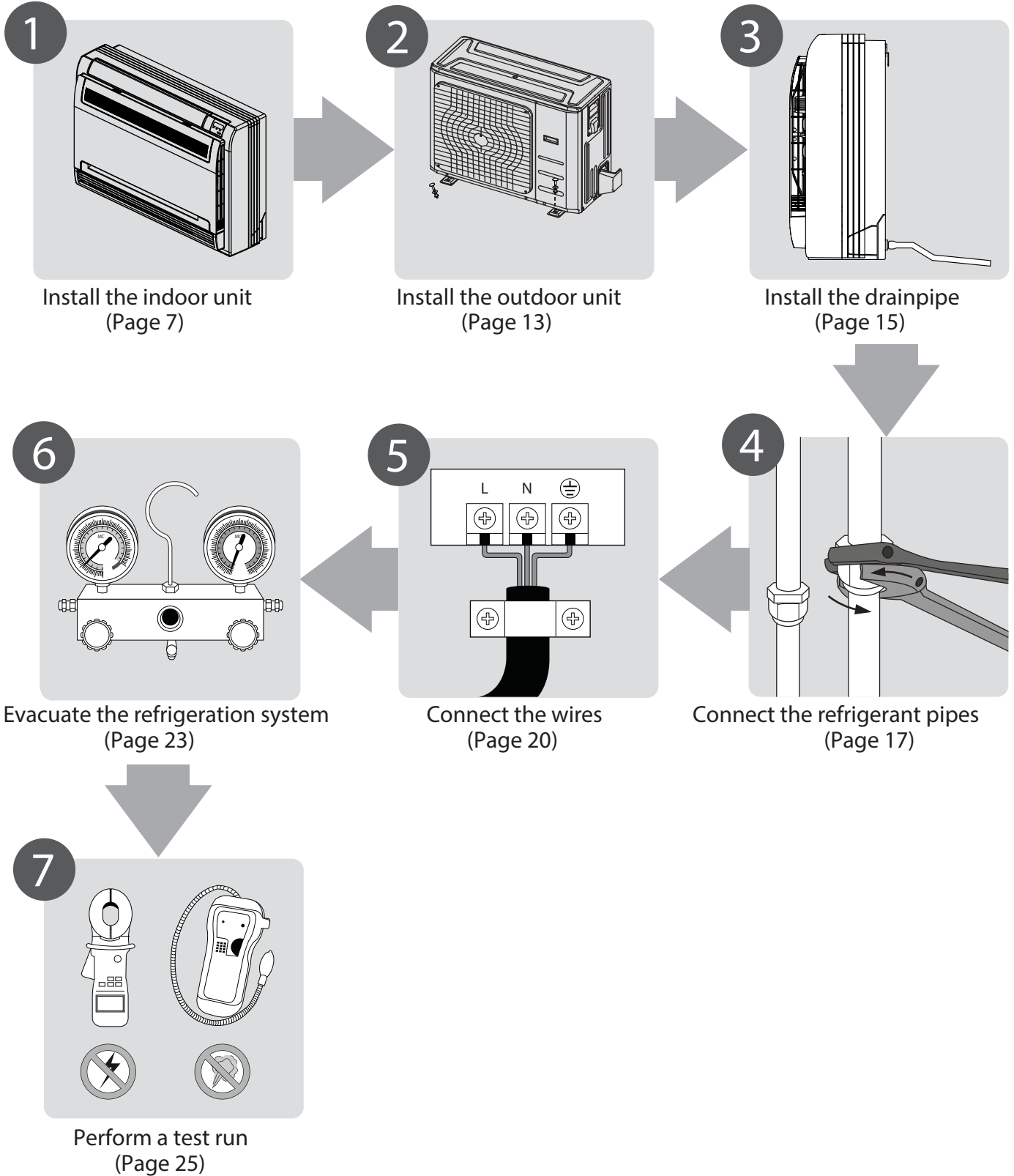
### Note about Fluorinated Gasses

1. This air-conditioning unit contains fluorinated gasses. For specific information on the type of gas and the amount, please refer to the relevant label on the unit itself.
2. Installation, service, maintenance and repair of this unit must be performed by a certified technician.
3. Product uninstallation and recycling must be performed by a certified technician.
4. If the system has a leak-detection system installed, it must be checked for leaks at least every 12 months.
5. When the unit is checked for leaks, proper record-keeping of all checks is strongly recommended.

# Installation Overview

# 3

## INSTALLATION ORDER



# Indoor Unit Installation

# 4

## Indoor Unit Parts

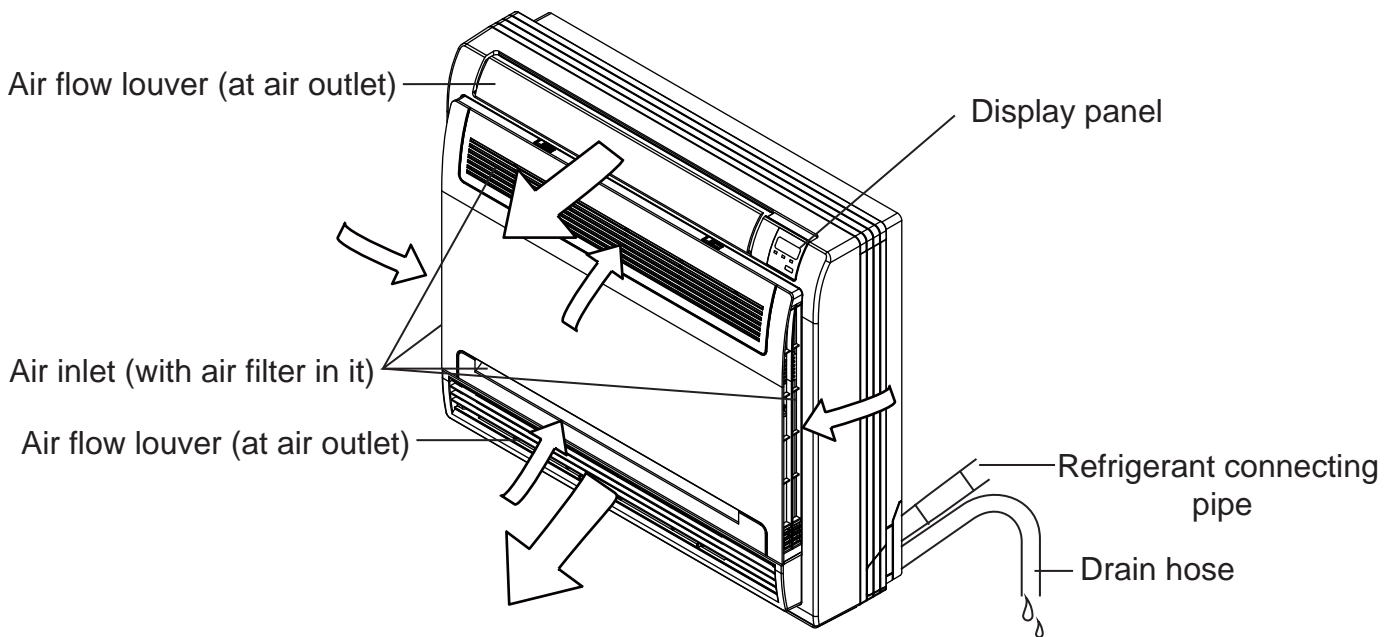


Fig. 4.1

## Safety Precautions

### ⚠ WARNING

- Securely install the indoor unit on a structure that can sustain its weight. If the structure is too weak, the unit may fall and cause personal injury, unit and property damage, or death.
- **DO NOT** install the indoor unit in a bathroom or laundry room as excessive moisture can short the unit and corrode the wiring.

### ⚠ CAUTION

- Install the indoor and outdoor units, cables and wires at least 1 m (3.2') from televisions or radios to prevent static or image distortion. Depending on the appliances, a 1 m (3.2') distance may not be sufficient.
- If the indoor unit is installed on metal, it must be electrically grounded.

## Indoor Unit Installation Instructions

NOTE: Panel installation should be performed after piping and wiring have been completed.

### Step 1: Select installation location

The indoor unit should be installed in a location that meets the following requirements:

- ☑ Enough room for installation and maintenance.
- ☑ Enough room for the connecting pipe and drainpipe.
- ☑ The ceiling is horizontal and its structure can sustain the weight of the indoor unit.
- ☑ The air inlet and outlet are not impeded.
- ☑ The airflow can fill the entire room.
- ☑ There is no direct radiation from heaters.

## ! CAUTION

**DO NOT** install the unit in the following locations:

- ⊘ Areas with oil drilling or fracking
- ⊘ Coastal areas with high salt content in the air
- ⊘ Areas with caustic gases in the air, such as near hot springs
- ⊘ Areas with power fluctuations, such as factories
- ⊘ Enclosed spaces, such as cabinets
- ⊘ Areas with strong electromagnetic waves
- ⊘ Areas that store flammable materials or gas
- ⊘ Rooms with high humidity, such as bathrooms or laundry rooms

### RECOMMENDED DISTANCES BETWEEN THE INDOOR UNIT

The distance between the mounted indoor unit should meet the specifications illustrated in the following diagram. (See Fig. 4.2)

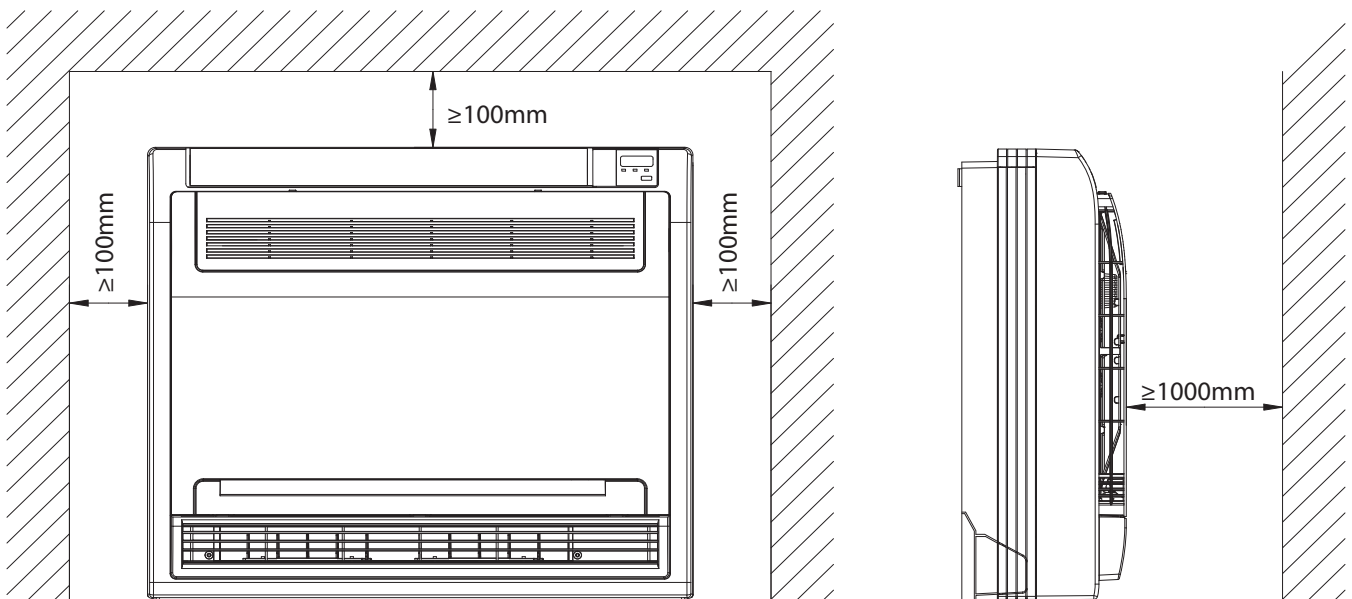


Fig. 4.2



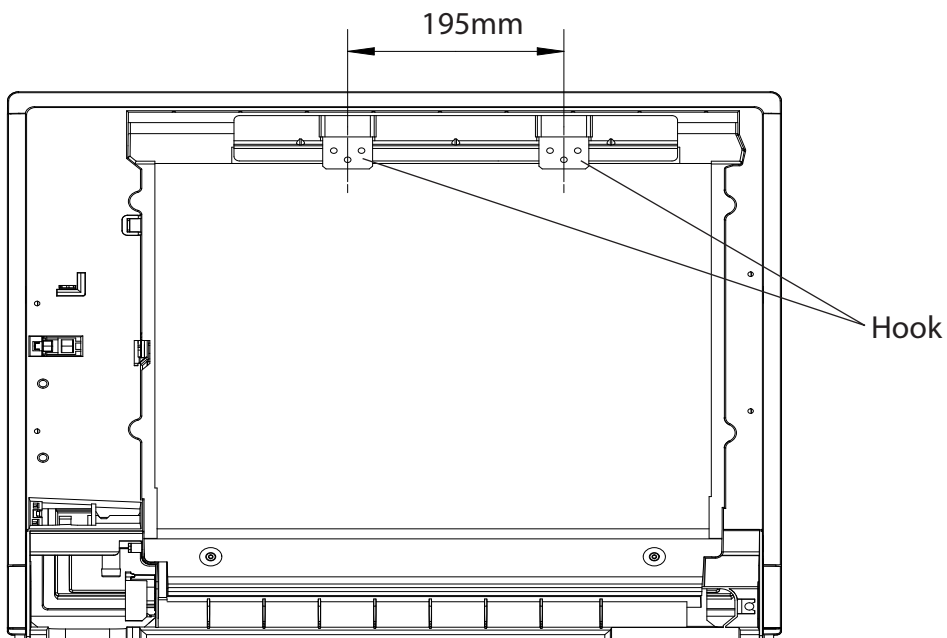
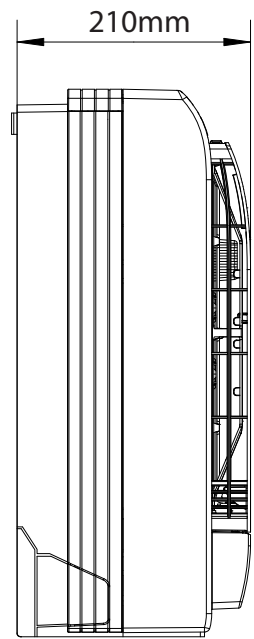
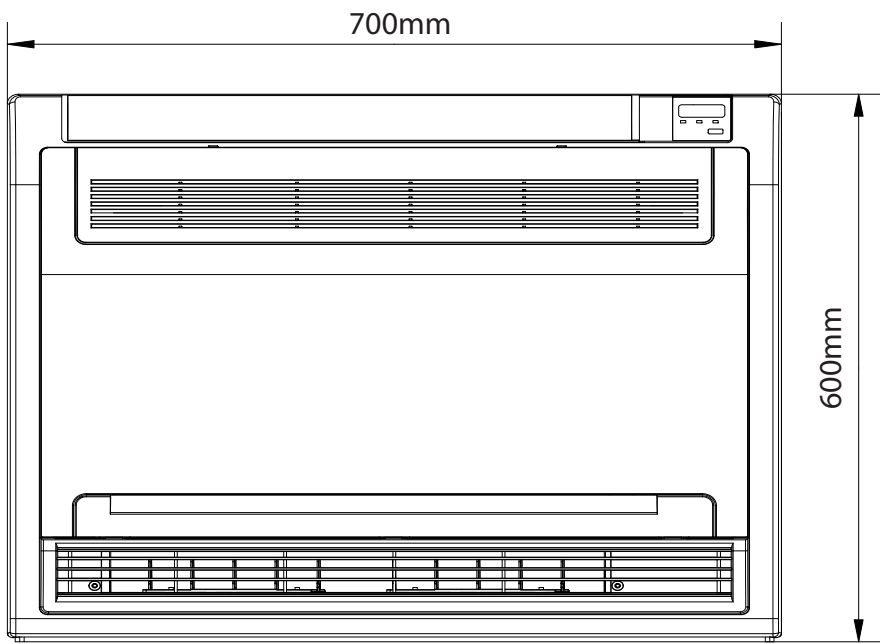


Fig. 4.3

Step 2: Installing the main body

- Affix the hook with a tapping screw onto the wall.

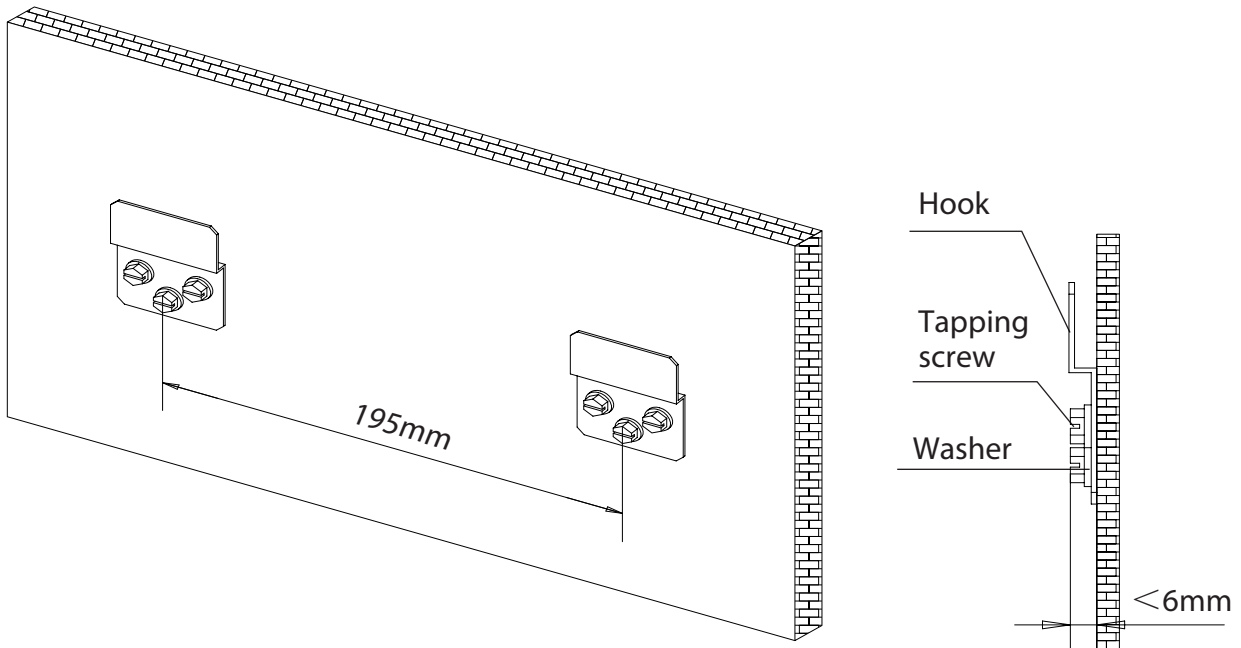


Fig. 4.4

- Hang the indoor unit on the hook.  
(The bottom of body can touch the floor or remain suspended, but the body must be installed vertically.)

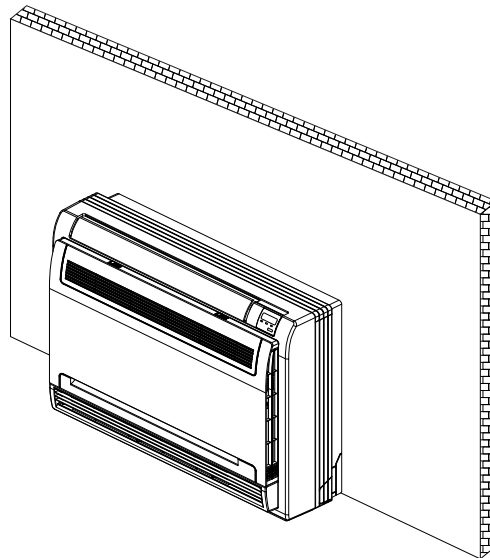


Fig. 4.5

Step 3: Taking the indoor unit apart to connect the pipes

1. Open the front panel

Slide the two stoppers on the left and right sides inward until they click.

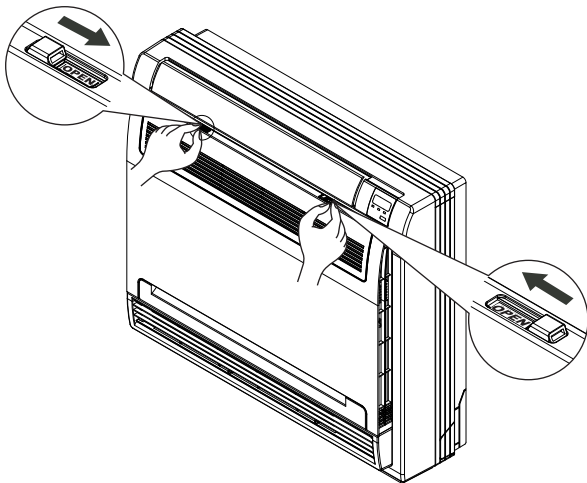


Fig. 4.6

3. Remove the front panel.

Remove the string.  
Allow the front panel to fall forward and remove it.

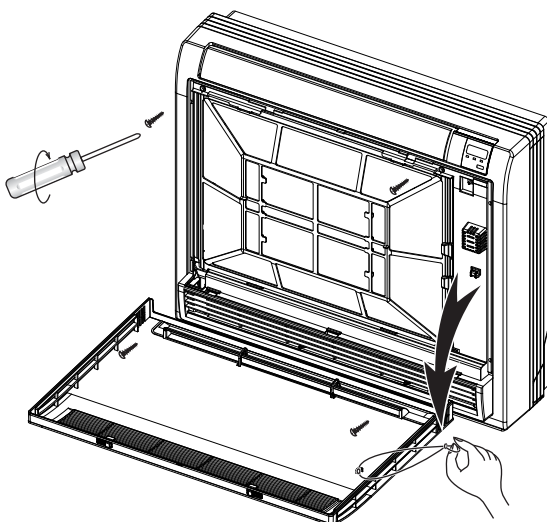


Fig. 4.7

3. Remove the face plate.

Remove the four screws.(See Fig.4.7)  
Open the bottom of the face plate at a 30-degree angle. Lift the top of the face plate. (See Fig.4.8)

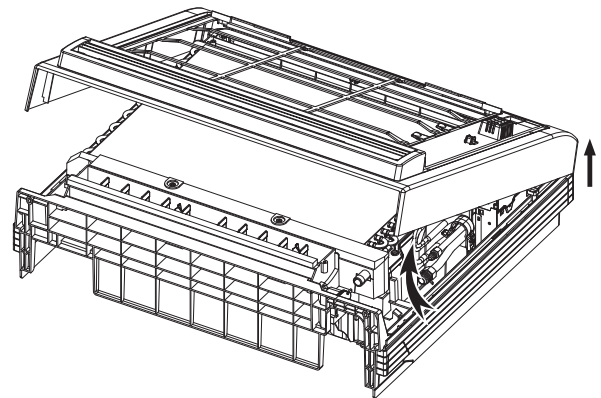


Fig. 4.8

NOTE: All the figures in this manual are for demonstration purposes only. The air conditioner you have purchased may be slightly different in design, though similar in shape.

Step 4: Network address set (some models)

(Only unit of 18000Btu/h haso the function that Network address set.)

Every air-conditioner in network has only one network address to distinguish each other. Address code of air-conditioner in LAN is set by code switches S1 & S2 on the Main Control Board of the indoor unit, and the set range is 0-63.

Table 4.1

| Toggle switch set |    |   | Network address code |
|-------------------|----|---|----------------------|
| S1                | S2 |   |                      |
|                   |    | ~ | 00~15                |
|                   |    | ~ | 16~31                |
|                   |    | ~ | 32~47                |
|                   |    | ~ | 48-63                |

# Outdoor Unit Installation

(LIGHT Commercial systems)

5

## Outdoor Unit Installation Instructions

### Step 1: Select installation location.

The outdoor unit should be installed in the location that meets the following requirements:

- ☑ Place the outdoor unit as close to the indoor unit as possible.
- ☑ Ensure that there is enough room for installation and maintenance.
- ☑ The air inlet and outlet must not be obstructed or exposed to strong wind.
- ☑ Ensure the location of the unit will not be subject to snowdrifts, accumulation of leaves or other seasonal debris. If possible, provide an canopy for the unit. Ensure that the canopy does not obstruct the airflow.
- ☑ The installation area must be dry and well ventilated.
- ☑ There must be enough room to install the connecting pipes and cables and to access them for maintenance.

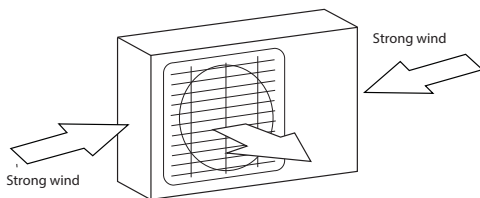


Fig. 5.1

- ☑ The area must be free of combustible gases and chemicals.
- ☑ The pipe length between the outdoor and indoor unit may not exceed the maximum allowable pipe length.
- ☑ If possible, DO NOT install the unit where it is exposed to direct sunlight.
- ☑ If possible, make sure the unit is located far away from your neighbors' property so that the noise from the unit will not disturb them.
- ☑ If the location is exposed to strong winds (for example: near a seaside), the unit must be placed against the wall to shelter it from the wind. If necessary, use an awning. (See Fig. 5.1 & 5.2)
- ☑ Install the indoor and outdoor units, cables and wires at least 1 meter from televisions or radios to prevent static or image distortion. Depending on the radio waves, a 1 meter distance may not be enough to eliminate all interference.

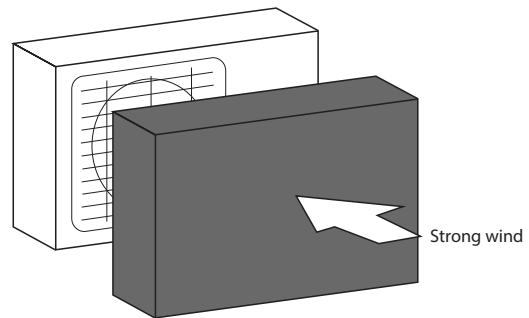


Fig. 5.2

### Step 2: Install outdoor unit.

Fix the outdoor unit with anchor bolts (M10)

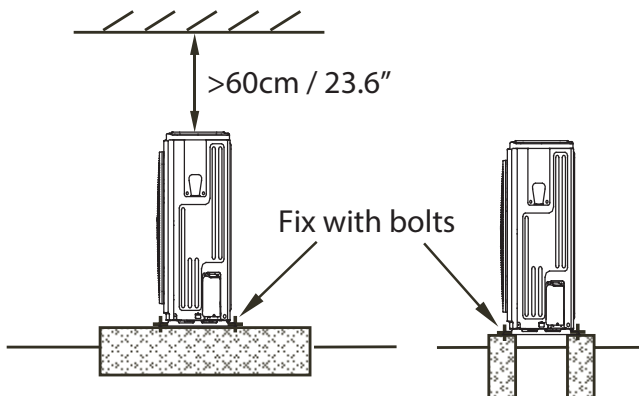


Fig. 5.3

### ! CAUTION

- Be sure to remove any obstacles that may block air circulation.
- Make sure you refer to Length Specifications to ensure there is enough room for installation and maintenance.

### Split Type Outdoor Unit

(Refer to Fig 5.4, 5.5, 5.6 and Table 5.1)

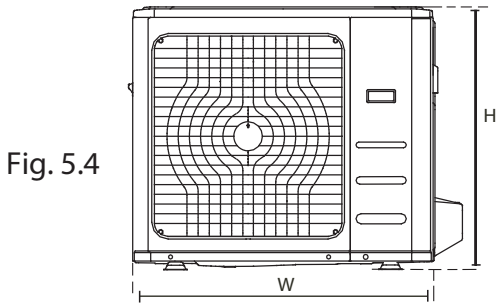


Fig. 5.4

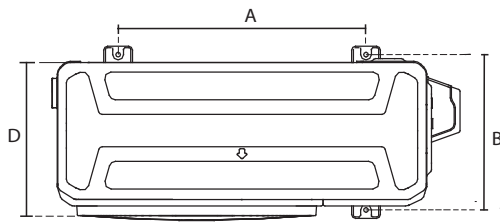


Fig. 5.5

Table 5.1: Length Specifications of Split Type Outdoor Unit (unit: mm/inch)

| Size | Outdoor Unit Dimensions      | Mounting Dimensions |             |
|------|------------------------------|---------------------|-------------|
|      | W x H x D                    | Distance A          | Distance B  |
| 35M  | 800x554x333 (31.5x21.8x13.1) | 514 (20.24)         | 340 (13.39) |

### Rows of series installation

Table 5.2 The relations between H, A and L are as follows.

|            | L                    | A                     |
|------------|----------------------|-----------------------|
| $L \leq H$ | $L \leq 1/2H$        | 25 cm / 9.8" or more  |
|            | $1/2H < L \leq H$    | 30 cm / 11.8" or more |
| $L > H$    | Can not be installed |                       |

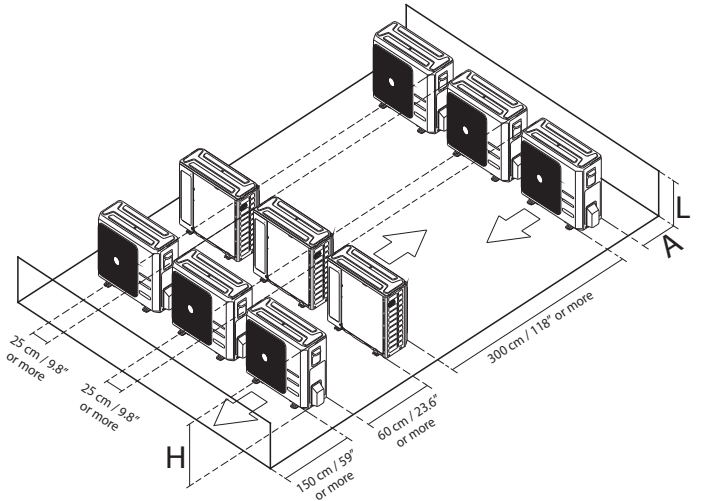


Fig. 5.7

NOTE: The minimum distance between the outdoor unit and walls described in the installation guide does not apply to airtight rooms. Be sure to keep the unit unobstructed in at least two of the three directions (M, N, P) (See Fig. 5.6)

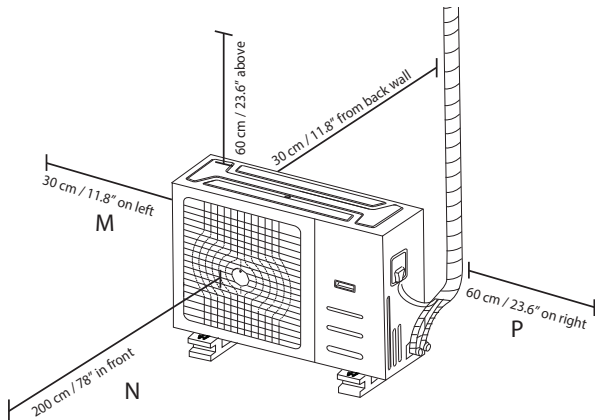


Fig. 5.6

## Drain Joint Installation

Before bolting the outdoor unit in place, you must install the drain joint at the bottom of the unit. (See Fig. 5.8)

1. Fit the rubber seal on the end of the drain joint that will connect to the outdoor unit.
2. Insert the drain joint into the hole in the base pan of the unit.
3. Rotate the drain joint 90° until it clicks in place facing the front of the unit.
4. Connect a drain hose extension (not included) to the drain joint to redirect water from the unit during heating mode.

**NOTE:** Make sure the water drains to a safe location where it will not cause water damage or a slipping hazard.

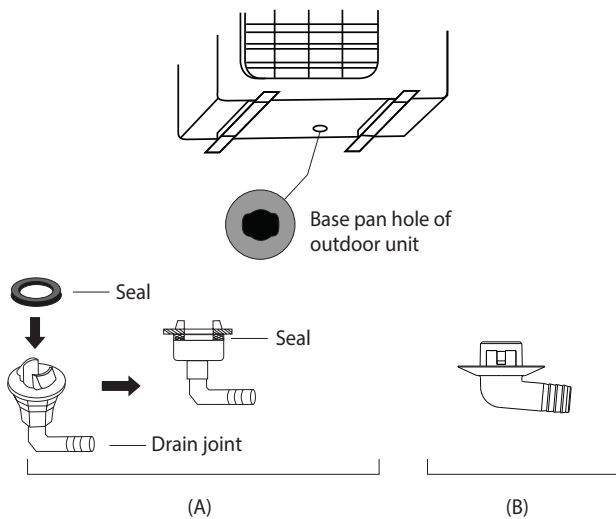


Fig. 5.8

## Notes On Drilling Hole In Wall

You must drill a hole in the wall for the refrigerant piping, and the signal cable that will connect the indoor and outdoor units.

1. Determine the location of the wall hole based on the location of the outdoor unit.
2. Using a 65-mm (2.5") core drill, drill a hole in the wall.

**NOTE:** When drilling the wall hole, make sure to avoid wires, plumbing, and other sensitive components.

3. Place the protective wall cuff in the hole. This protects the edges of the hole and will help seal it when you finish the installation process.

# Drainpipe Installation

6

The drainpipe is used to drain water away from the unit. Improper installation may cause unit and property damage.

## ! CAUTION

- Insulate all piping to prevent condensation, which could lead to water damage.
- If the drainpipe is bent or installed incorrectly, water may leak and cause a water-level switch malfunction.
- In HEAT mode, the outdoor unit will discharge water. Ensure that the drain hose is placed in an appropriate area to avoid water damage and slippage.
- **DO NOT** pull the drainpipe forcefully. This could disconnect it.

## NOTE ON PURCHASING PIPES

Installation requires a polyethylene tube (exterior diameter = 3.7-3.9cm, interior diameter = 3.2cm), which can be obtained at your local hardware store or dealer.

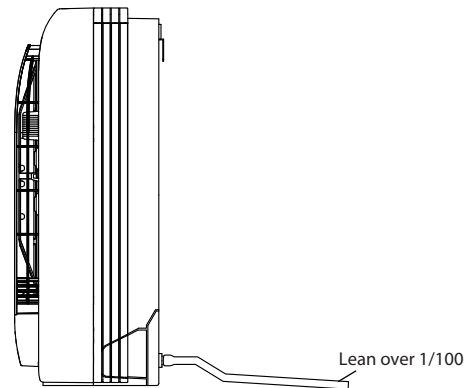


Fig. 6.2

## NOTE ON DRAINPIPE INSTALLATION

- When using an extended drainpipe, tighten the indoor connection with an additional protection tube. This prevents it from pulling loose.
- The drainpipe should slope downward at a gradient of at least 1/100 to prevent water from flowing back into the air conditioner.
- Incorrect installation could cause water to flow back into the unit and flood.

## Indoor Drainpipe Installation

Install the drainpipe as illustrated in Figure 6.2.

1. Cover the drainpipe with heat insulation to prevent condensation and leakage.
2. Attach the mouth of the drain hose to the unit's outlet pipe. Sheath the mouth of the hose and clip it firmly with a pipe clasp. (See Fig 6.1)

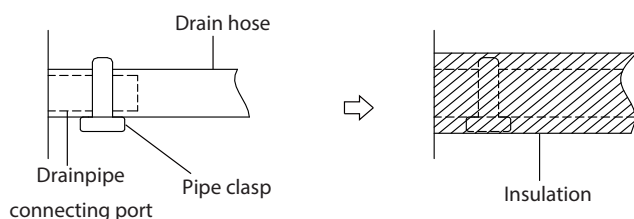


Fig. 6.1

NOTE: When connecting multiple drainpipes, install the pipes as illustrated in Fig 6.3.

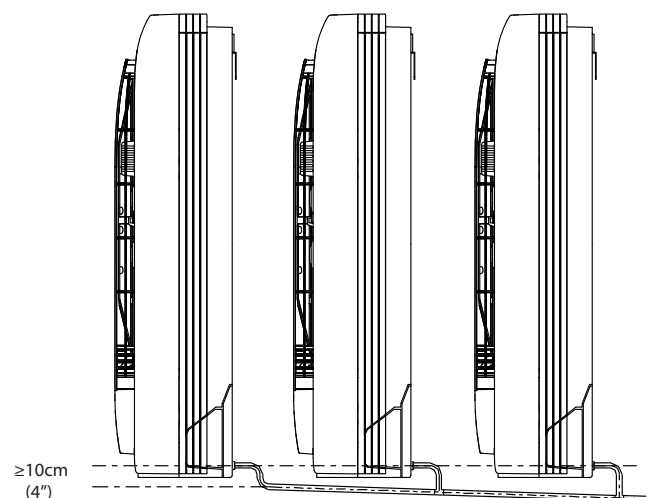


Fig. 6.3

- Using a 65-mm (2.5") core drill, drill a hole in the wall. Make sure that the hole is drilled at a slight downward angle, so that the outdoor end of the hole is lower than the indoor end by about 12mm (0.5"). This will ensure proper water drainage (See Fig. 6.4). Place the protective wall cuff in the hole. This protects the edges of the hole and will help seal it once you finish installation.

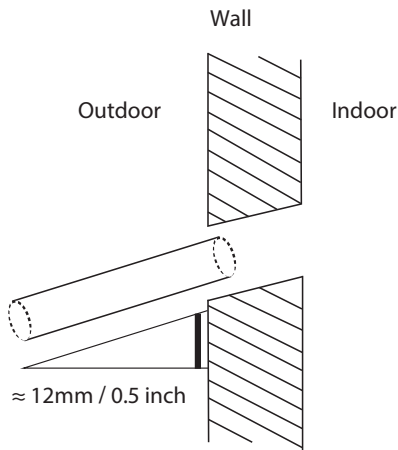


Fig. 6.4

**NOTE:** When drilling the hole, make sure to avoid wires, plumbing, and other sensitive components.

- Pass the drain hose through the wall hole. Make sure the water drains to a safe location where it will not cause water damage or a slipping hazard.

**NOTE:** The drainpipe outlet should be at least 5cm (1.9") above the ground. If it touches the ground, the unit may become blocked and malfunction. If you discharge the water directly into a sewer, make sure that the drain has a U or S pipe to catch odors that might otherwise come back into the house.



## Safety Precautions

### WARNING

- All field piping must be completed by a licensed technician and must comply with the local and national regulations.
- When the air conditioner is installed in a small room, measures must be taken to prevent the refrigerant concentration in the room from exceeding the safety limit in the event of refrigerant leakage. If the refrigerant leaks and its concentration exceeds its proper limit, hazards due to lack of oxygen may result.
- When installing the refrigeration system, ensure that air, dust, moisture or foreign substances do not enter the refrigerant circuit. Contamination in the system may cause poor operating capacity, high pressure in the refrigeration cycle, explosion or injury.
- Ventilate the area immediately if there is refrigerant leakage during the installation. Leaked refrigerant gas is both toxic and flammable. Ensure there is no refrigerant leakage after completing the installation work.

## Notes On Pipe Length and Elevation

Ensure that the length of the refrigerant pipe, the number of bends, and the drop height between the indoor and outdoor units meets the requirements shown in Table 7.1:

Table 7.1: The Maximum Length And Drop Height Based on Models. (Unit: m/ft.)

| Type of model   | Capacity (Btu/h) | Length of piping | Maximum drop height |
|---|------------------|------------------|---------------------|
| North America, Australia and the eu frequency conversion Split Type | <15K             | 25/82            | 10/32.8             |
|   | ≥15K - <24K      | 30/98.4          | 20/65.6             |
|   | ≥24K - <36K      | 50/164           | 25/82               |
|   | ≥36K - ≤60K      | 65/213           | 30/98.4             |

**! CAUTION**

- The branching pipe must be installed horizontally. An angle of more than 10° may cause malfunction.
- **DO NOT** install the connecting pipe until both indoor and outdoor units have been installed.
- Insulate both the gas and liquid piping to prevent water leakage.

**Step 1: Cut pipes**

When preparing refrigerant pipes, take extra care to cut and flare them properly. This will ensure efficient operation and minimize the need for future maintenance.

1. Measure the distance between the indoor and outdoor units.
2. Using a pipe cutter, cut the pipe a little longer than the measured distance.

**! CAUTION**

**DO NOT** deform pipe while cutting. Be extra careful not to damage, dent, or deform the pipe while cutting. This will drastically reduce the heating efficiency of the unit.

1. Make sure that the pipe is cut at a perfect 90° angle. Refer to Fig. 7.1 for examples of bad cuts.

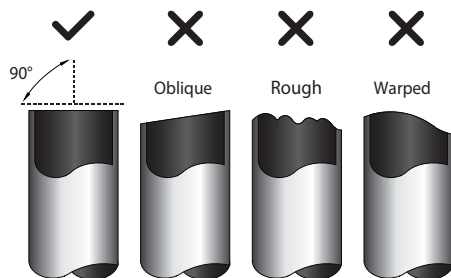


Fig. 7.1

**Step 2: Remove burrs.**

Burrs can affect the air-tight seal of refrigerant piping connection. They must be completely removed.

1. Hold the pipe at a downward angle to prevent burrs from falling into the pipe.
2. Using a reamer or deburring tool, remove all burrs from the cut section of the pipe.

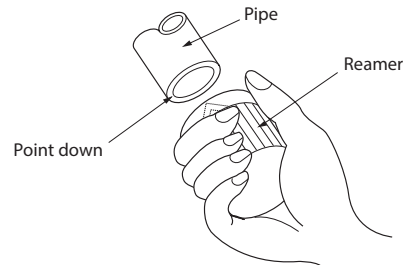


Fig. 7.2

**Step 3: Flare pipe ends**

Proper flaring is essential to achieve an airtight seal.

1. After removing burrs from cut pipe, seal the ends with PVC tape to prevent foreign materials from entering the pipe.
2. Sheath the pipe with insulating material.
3. Place flare nuts on both ends of pipe. Make sure they are facing in the right direction, because you can't put them on or change their direction after flaring. See Fig. 7.3

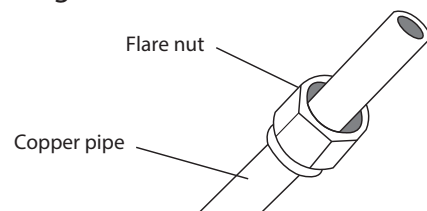


Fig. 7.3

4. Remove PVC tape from ends of pipe when ready to perform flaring work.
5. Clamp flare form on the end of the pipe. The end of the pipe must extend beyond the flare form.

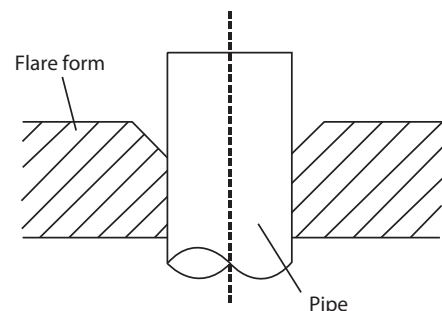


Fig. 7.4

6. Place flaring tool onto the form.
7. Turn the handle of the flaring tool clockwise until the pipe is fully flared. Flare the pipe in accordance with the dimensions shown in table 7.2.

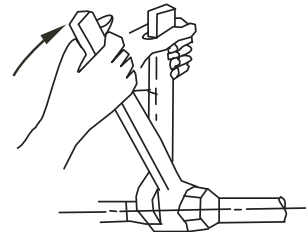


Fig. 7.7

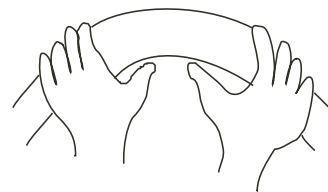
**! CAUTION**

- Ensure to wrap insulation around the piping. Direct contact with the bare piping may result in burns or frostbite.
- Make sure the pipe is properly connected.
- Over tightening may damage the bell mouth and under tightening may lead to leakage.

**NOTE ON MINIMUM BEND RADIUS**

Carefully bend the tubing in the middle according to the diagram below. **DO NOT** bend the tubing more than 90° or more than 3 times.

Bend the pipe with thumb



min-radius 10cm (3.9")

Fig. 7.8

6. After connecting the copper pipes to the indoor unit, wrap the power cable, signal cable and the piping together with binding tape.

**NOTE: DO NOT** intertwine signal cable with other wires. While bundling these items together, do not intertwine or cross the signal cable with any other wiring.

7. Thread this pipeline through the wall and connect it to the outdoor unit.
8. Insulate all the piping, including the valves of the outdoor unit.
9. Open the stop valves of the outdoor unit to start the flow of the refrigerant between the indoor and outdoor unit.

**! CAUTION**

Check to make sure there is no refrigerant leak after completing the installation work. If there is a refrigerant leak, ventilate the area immediately and evacuate the system (refer to the Air Evacuation section of this manual).

Table 7.2: PIPING EXTENSION BEYOND FLARE FORM

| Pipe gauge | Tightening torque                     | Flare dimension (A)<br>(Unit: mm/Inch) |           | Flare shape     |
|------------|---------------------------------------|--|-----------|-----------------|
|            |                                       | Min.                                   | Max.      |                 |
| Ø 6.4      | 14.2-17.2 N.m<br>(144-176 kgf.cm)     | 8.3/0.3                                | 8.3/0.3   | <p>Fig. 7.5</p> |
| Ø 9.5      | 32.7-39.9 N.m<br>(333-407 kgf.cm)     | 12.4/0.48                              | 12.4/0.48 |                 |
| Ø 12.7     | 49.5-60.3 N.m<br>(504-616 kgf.cm)     | 15.4/0.6                               | 15.8/0.6  |                 |
| Ø 15.9     | 61.8-75.4 N.m<br>(630-770 kgf.cm)     | 18.6/0.7                               | 19/0.74   |                 |
| Ø 19.1     | 97.2-118.6 N.m<br>(990-1210 kgf.cm)   | 22.9/0.9                               | 23.3/0.91 |                 |
| Ø 22       | 109.5-133.7 N.m<br>(1117-1364 kgf.cm) | 27/1.06                                | 27.3/1.07 |                 |

8. Remove the flaring tool and flare form, then inspect the end of the pipe for cracks and even flaring.

**Step 4: Connect pipes**

Connect the copper pipes to the indoor unit first, then connect it to the outdoor unit. You should first connect the low-pressure pipe, then the high-pressure pipe.

1. When connecting the flare nuts, apply a thin coat of refrigeration oil to the flared ends of the pipes.
2. Align the center of the two pipes that you will connect.

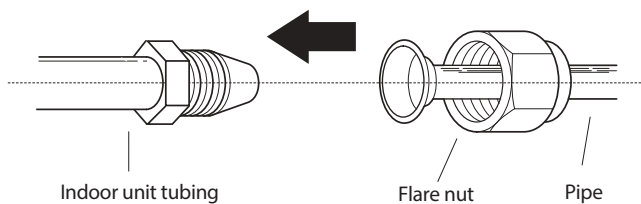


Fig. 7.6

3. Tighten the flare nut as tightly as possible by hand.
4. Using a spanner, grip the nut on the unit tubing.
5. While firmly gripping the nut, use a torque wrench to tighten the flare nut according to the torque values in table 7.2.

**NOTE:** Use both a spanner and a torque wrench when connecting or disconnecting pipes to/from the unit.

## Safety Precautions

### WARNING

- Disconnect the power supply before working on the unit.
- All wiring must be performed according to local and national regulations.
- Wiring must be done by a qualified technician. Improper connections may cause electrical malfunction, injury, or fire.
- An independent circuit and single outlet must be used for this unit. **DO NOT** plug another appliance or charger into the same outlet. If the cannot handle the load or there is a defect in the wiring, it can lead to shock, fire, and unit and property damage.
- Connect the power cable to the terminals and fasten it with a clamp. An insecure connection may cause fire.
- Make sure that all wiring is done correctly and the control board cover is properly installed. Failure to do so can cause overheating at the connection points, fire, and electrical shock.
- The power supply line must have upstream to appropriate protection against short circuits and earth faults that section the system with respect to other users.
- **DO NOT** modify the length of the power cord or use an extension cord.

### CAUTION

- Connect the outdoor wires before connecting the indoor wires.
- Make sure you ground the unit. The grounding wire should be located away from gas pipes, water pipes, lightning rods, telephone wires or other grounding wires. Improper grounding may cause electrical shock.
- **DO NOT** connect the unit to the power source until all wiring and piping is completed.
- Make sure that you do not cross your electrical wiring with your signal wiring. This may cause distortion and interference.

To prevent distortion when the compressor starts (you can find the unit's power information on the rating sticker):

- The unit must be connected to the main outlet. Normally, the power supply must have a impedance of 32 ohms.
- No other equipment should be connected to the same power circuit.

### TAKE NOTE OF FUSE SPECIFICATIONS

The air conditioner's printed circuit board (PCB) is designed with a fuse that provides overcurrent protection. The specifications of the fuse are printed on the circuit board, examples of such are T5A/250VAC and T10A/250VAC.

## Outdoor Unit Wiring

### WARNING

Before performing any electrical or wiring work, turn off the main power to the system.

1. Prepare the cable for connection
  - a. You must first choose the right cable size. Be sure to use H07RN-F cables.

Table 8.1: Minimum Cross-Sectional Area of Power and Signal Cables in North America

| Absorbed maximum (A) | AWG |
|----------------------|-----|
| $\leq 7$             | 18  |
| 7 - 13               | 16  |
| 13 - 18              | 14  |
| 18 - 25              | 12  |
| 25 - 30              | 10  |

Table 8.2: Other World Regions

| Absorbed maximum (A) | Nominal Cross-Sectional Area (mm <sup>2</sup> ) |
|----------------------|---|
| ≤ 6                  | 0.75  |
| 6 - 10               | 1   |
| 10 - 16              | 1.5   |
| 16 - 25              | 2.5   |
| 25 - 32              | 4   |
| 32 - 45              | 6   |

- b. Using wire strippers, strip the rubber jacket from both ends of the signal cable to reveal approximately 15cm (5.9") of wire.
- c. Strip the insulation from the ends.
- d. Using a wire crimper, crimp u-lugs on the ends.

**NOTE:** When connecting the wires, strictly follow the wiring diagram found inside the electrical box cover.

2. Remove the electric cover of the outdoor unit. If there is no cover on the outdoor unit, take off the bolts from the maintenance board and remove the protection board. (See Fig. 8.1)

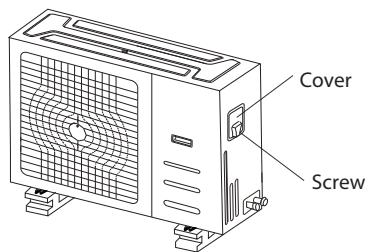


Fig. 8.1

3. Connect the u-lugs to the terminals  
Match the wire colors/labels with the labels on the terminal block, Firmly screw the u-lug of each wire to its corresponding terminal.
4. Clamp down the cable with the cable clamp.
5. Insulate unused wires with electrical tape. Keep them away from any electrical or metal parts.
6. Reinstall the cover of the electric control box.

## Indoor Unit Wiring

1. Prepare the cable for connection
  - a. Using wire strippers, strip the rubber jacket from both ends of the signal cable to reveal about 15cm (5.9") of the wire.
  - b. Strip the insulation from the ends of the wires.
  - c. Using a wire crimper, crimp the u-lugs to the ends of the wires.
2. Rotate the sensor device's installation bearer to the other side. Then remove the cover of the electrical box. (Also, remove the electrical box also if its capacity is 18000btu/h and has networking functionality.)
3. Connect the u-lugs to the terminals. Match the wire colors/labels with the labels on the terminal block, Firmly screw the u-lug of each wire to its corresponding terminal. Refer to the Serial Number and Wiring Diagram located on the cover of the electric control box.

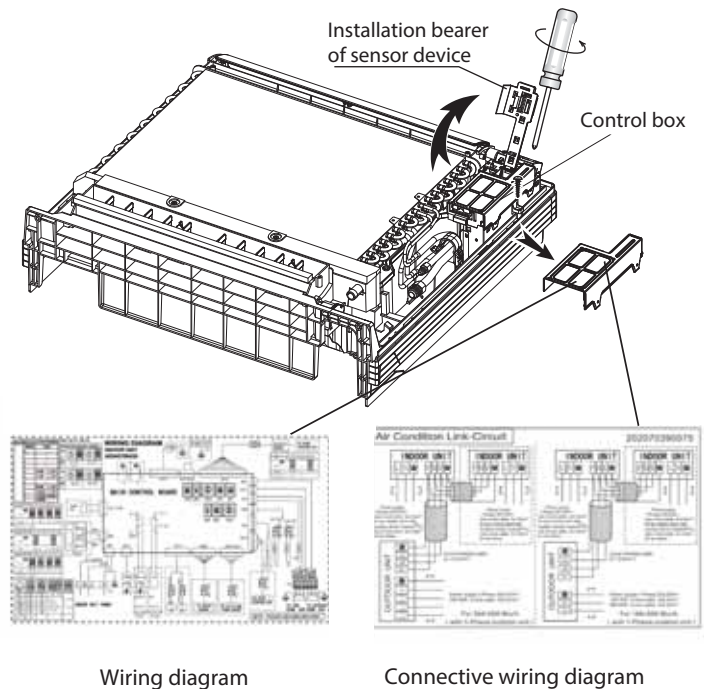


Fig. 8.2

## ! CAUTION

- While connecting the wires, please strictly follow the wiring diagram.
  - The refrigerant circuit can become very hot. Keep the interconnection cable away from the copper tube.
4. Clamp down the cable with the cable clamp. The cable must not be loose or pull on the u-lugs.
  5. Reattach the electric box cover.

## Power Specifications

| MODEL(Btu/h)  |                              | <16K                | 16K~18K             |
|---|------------------------------|---------------------|---------------------|
| POWER   | PHASE                        | 1 Phase             | 1 Phase             |
|   | FREQUENCY AND VOLT           | 220-240V~,50Hz/60Hz | 220-240V~,50Hz/60Hz |
| CIRCUIT BREAKER/FUSE(A)                                 |                              | 20/16               | 20/16               |
| INDOOR UNIT POWER WIRING(mm <sup>2</sup> )              |                              | ---                 | 3x1.0               |
| INDOOR/OUDOOR<br>CONNECTING<br>WIRING(mm <sup>2</sup> ) | OUTDOOR UNIT<br>POWER WIRING | 3x1.5               | 3x2.5               |
|   | STRONG ELECTRIC<br>SIGNAL    | 4x1.0               | ---                 |
|   | WEAK ELECTRIC<br>SIGNAL      | ---                 | 3x0.2               |
|   | GROUND WIRING                | 1.5                 | 2.5                 |

## Safety Precautions

### ! CAUTION

- Use a vacuum pump with a gauge reading lower than -0.1MPa and an air discharge capacity above 40L/min.
- The outdoor unit does not need to be vacuumed. **DO NOT** open the outdoor unit's gas and liquid stop valves.
- Ensure that the Compound Meter reads -0.1MPa or below after 2 hours. If after three hours the gauge reading is still above -0.1MPa, check if there is a gas leak or water inside the pipe. If there is no leak, perform another evacuation for 1 or 2 hours.
- **DO NOT** use refrigerant gas to evacuate the system.

## Evacuation Instructions

Before using a manifold gauge and a vacuum pump, read their operation manuals to make sure you know how to use them properly.

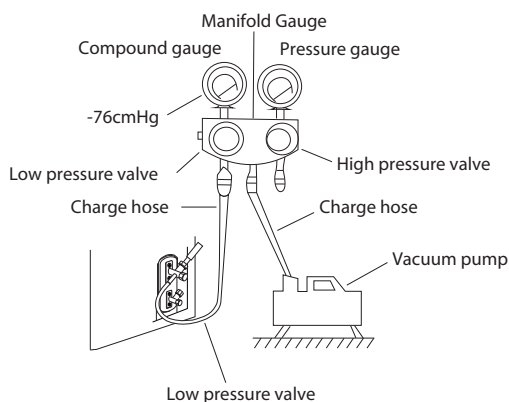


Fig. 9.1

1. Connect the manifold gauge's charge hose to the service port on the outdoor unit's low pressure valve.
2. Connect the manifold gauge's charge hose from the to the vacuum pump.
3. Open the Low Pressure side of the manifold gauge. Keep the High Pressure side closed.

4. Turn on the vacuum pump to evacuate the system.
5. Run the vacuum for at least 15 minutes, or until the Compound Meter reads -76cmHG (-1x10<sup>5</sup>Pa).
6. Close the manifold gauge's Low Pressure valve and turn off the vacuum pump.
7. Wait for 5 minutes, then check that there has been no change in system pressure.

**NOTE:** If there is no change in system pressure, unscrew the cap from the packed valve (high pressure valve). If there is a change in system pressure, there may be a gas leak.

8. Insert hexagonal wrench into the packed valve (high pressure valve) and open the valve by turning the wrench 1/4 counterclockwise. Listen for gas to exit the system, then close the valve after 5 seconds.

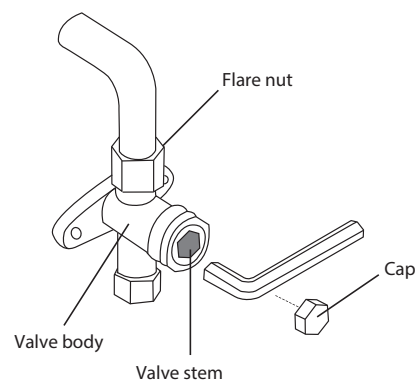


Fig. 9.2

9. Watch the Pressure Gauge for one minute to make sure that there is no change in pressure. It should read slightly higher than the atmospheric pressure.
10. Remove the charge hose from the service port.
11. Using hexagonal wrench, fully open both the high pressure and low pressure valves.

### OPEN VALVE STEMS GENTLY

When opening the valve stems, turn the hexagonal wrench until it hits against the stopper. **DO NOT** try to force the valve to open further.

12. Tighten valve caps by hand, then tighten it using the proper tool.

**! CAUTION**

- Refrigerant charging must be performed after wiring, vacuuming, and the leak testing.
- **DO NOT** exceed the maximum allowable quantity of refrigerant or overcharge the system. Doing so can damage the unit or impact it's functioning.
- Charging with unsuitable substances may cause explosions or accidents. Ensure that the appropriate refrigerant is used.
- Refrigerant containers must be opened slowly. Always use protective gear when charging the system.
- **DO NOT** mix refrigerants types.
- For the R290 or R32 refrigerant model, make sure the conditions within the area have been made safe by control of flammable material when the refrigerant added into air conditioner.

Some systems require additional charging depending on pipe lengths. The standard pipe length varies according to local regulations. For example, in North America, the standard pipe length is 7.5m (25') In other areas, the standard pipe length is 5m (16'). The additional refrigerant to be charged can be calculated using the following formula:

Liquid Side Diameter

|        | φ6.35(1/4")   | φ9.52(3/8")   |
|--------|---|---|
| R410A: | (Total pipe length - standard pipe length) x15g(0.16oz)/m(ft) | (Total pipe length - standard pipe length) x24g(0.26oz)/m(ft) |
| R32:   | (Total pipe length - standard pipe length) x12g(0.13oz)/m(ft) | (Total pipe length - standard pipe length) x30g(0.32oz)/m(ft) |



## Before Test Run

A test run must be performed after the entire system has been completely installed. Confirm the following points before performing the test:

- a) Indoor and outdoor units are properly installed.
- b) Piping and wiring are properly connected.
- c) No obstacles near the inlet and outlet of the unit that might cause poor performance or product malfunction.
- d) Refrigeration system does not leak.
- e) Drainage system is unimpeded and draining to a safe location.
- f) Heating insulation is properly installed.
- g) Grounding wires are properly connected.
- h) Length of the piping and additional refrigerant stow capacity have been recorded.
- i) Power voltage is the correct voltage for the air conditioner.

## ! CAUTION

Failure to perform the test run may result in unit damage, property damage or personal injury.

## Test Run Instructions

1. Open both the liquid and gas stop valves.
2. Turn on the main power switch and allow the unit to warm up.
3. Set the air conditioner to COOL mode.
4. For the Indoor Unit
  - a. Ensure the remote control and its buttons work properly.
  - b. Ensure the louvers move properly and can be changed using the remote control.
  - c. Double check to see if the room temperature is registered correctly.
  - d. Ensure the indicators on the remote control and the display panel on the indoor unit work properly.
  - e. Ensure the manual buttons on the indoor unit works properly.

- f. Check to see that the drainage system is unimpeded and draining smoothly.
  - g. Ensure there is no vibration or abnormal noise during operation.
5. For the Outdoor Unit
    - a. Check to see if the refrigeration system is leaking.
    - b. Make sure there is no vibration or abnormal noise during operation.
    - c. Ensure the wind, noise, and water generated by the unit do not disturb your neighbors or pose a safety hazard.
  6. Drainage Test
    - a. Ensure the drainpipe flows smoothly. New buildings should perform this test before finishing the ceiling.
    - b. Remove the test cover. Add 2,000ml of water to the tank through the attached tube.
    - c. Turn on the main power switch and run the air conditioner in COOL mode.
    - d. Listen to the sound of the drain pump to see if it makes any unusual noises.
    - e. Check to see that the water is discharged. It may take up to one minute before the unit begins to drain depending on the drainpipe.
    - f. Make sure that there are no leaks in any of the piping.
    - g. Stop the air conditioner. Turn off the main power switch and reinstall the test cover.

**NOTE:** If the unit malfunctions or does not operate according to your expectations, please refer to the Troubleshooting section of the Owner's Manual before calling customer service.

The design and specifications are subject to change without prior notice for product improvement. Consult with the sales agency or manufacturer for details.

The manufacturer is registered on the EEE National Register, in compliance with implementation of Directive 2012/19/EU and relevant national regulations on waste electrical and electronic equipment. This Directive requires electrical and electronic equipment to be disposed of properly.

Equipment bearing the crossed-out wheelie bin mark must be disposed of separately at the end of its life cycle to prevent damage to human health and to the environment.

Electrical and electronic equipment must be disposed of together with all of its parts.

To dispose of "household" electrical and electronic equipment, the manufacturer recommends you contact an authorised dealer or an authorised ecological area.

"Professional" electrical and electronic equipment must be disposed of by authorised personnel through established waste disposal authorities around the country.

In this regard, here is the definition of household WEEE and professional WEEE:

WEEE from private households: WEEE originating from private households and WEEE which comes from commercial, industrial, institutional and other sources which, because of its nature and quantity, is similar to that from private households. Subject to the nature and quantity, where the waste from EEE was likely to have been by both a private household and users of other than private households, it will be classed as private household WEEE;

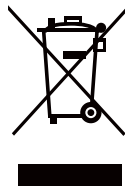
Professional WEEE: all WEEE which comes from users other than private households.

This equipment may contain:

refrigerant gas, the entire contents of which must be recovered in suitable containers by specialised personnel with the necessary qualifications;

- lubrication oil contained in compressors and in the cooling circuit to be collected;
- mixtures with antifreeze in the water circuit, the contents of which are to be collected;
- mechanical and electrical parts to be separated and disposed of as authorised.

When machine components to be replaced for maintenance purposes are removed or when the entire unit reaches the end of its life and needs to be removed from the installation, waste should be separated by its nature and disposed of by authorised personnel at existing collection centres.



# Information Servicing

(Required for the units adopt R32/R290 Refrigerant only)

12

## 1. Checks to the area

Prior to beginning work on systems containing flammable refrigerants, safety checks are necessary to ensure that the risk of ignition is minimised. For repair to the refrigerating system, the following precautions shall be complied with prior to conducting work on the system.

## 2. Work procedure

Works shall be undertaken under a controlled procedure so as to minimise the risk of a flammable gas or vapour being present while the work is being performed.

## 3. General work area

All maintenance staff and others working in the local area shall be instructed on the nature of work being carried out. Work in confined spaces shall be avoided. The area around the work space shall be sectioned off. Ensure that the conditions within the area have been made safe by control of flammable material.

## 4. Checking for presence of refrigerant

The area shall be checked with an appropriate refrigerant detector prior to and during work, to ensure the technician is aware of potentially flammable atmospheres. Ensure that the leak detection equipment being used is suitable for use with flammable refrigerants, i.e. no sparking, adequately sealed or intrinsically safe.

## 5. Presence of fire extinguisher

If any hot work is to be conducted on the refrigeration equipment or any associated parts, appropriate fire extinguishing equipment shall be available to hand. Have a dry power or CO2 fire extinguisher adjacent to the charging area.

## 6. No ignition sources

No person carrying out work in relation to a refrigeration system which involves exposing any pipe work that contains or has contained flammable refrigerant shall use any sources of ignition in such a manner that it may lead to the risk of fire or explosion. All possible ignition sources, including cigarette smoking, should be kept sufficiently far away from the site of installation, repairing, removing and disposal, during which flammable refrigerant can possibly be released to the surrounding space. Prior to work taking place, the area around the equipment is to be surveyed to make sure that there are no flammable hazards or ignition risks. **NO SMOKING** signs shall be displayed.

## 7. Ventilated area

Ensure that the area is in the open or that it is adequately ventilated before breaking into the system or conducting any hot work. A degree of ventilation shall continue during the period that the work is carried out. The ventilation should safely disperse any released refrigerant and preferably expel it externally into the atmosphere.

## 8. Checks to the refrigeration equipment

Where electrical components are being changed, they shall be fit for the purpose and to the correct specification. At all times the manufacturer's maintenance and service guidelines shall be followed. If in doubt consult the manufacturer's technical department for assistance. The following checks shall be applied to installations using flammable refrigerants:

- the charge size is in accordance with the room size within which the refrigerant containing parts are installed;
- the ventilation machinery and outlets are operating adequately and are not obstructed;
- if an indirect refrigerating circuit is being used, the secondary circuits shall be checked for the presence of refrigerant; marking to the equipment continues to be visible and legible.
- marking and signs that are illegible shall be corrected;
- refrigeration pipe or components are installed in a position where they are unlikely to be exposed to any substance which may corrode refrigerant containing components, unless
- the components are constructed of materials which are inherently resistant to being
- corroded or are suitably protected against being so corroded.

#### 9. Checks to electrical devices

Repair and maintenance to electrical components shall include initial safety checks and component inspection procedures. If a fault exists that could compromise safety, then no electrical supply shall be connected to the circuit until it is satisfactorily dealt with. If the fault cannot be corrected immediately but it is necessary to continue operation, and adequate temporary solution shall be used. This shall be reported to the owner of the equipment so all parties are advised.

Initial safety checks shall include:

- that capacitors are discharged: this shall be done in a safe manner to avoid possibility of sparking
- that there no live electrical components and wiring are exposed while charging, recovering or purging the system;
- that there is continuity of earth bonding.

#### 10. Repairs to sealed components

10.1 During repairs to sealed components, all electrical supplies shall be disconnected from the equipment being worked upon prior to any removal of sealed covers, etc. If it is absolutely necessary to have an electrical supply to equipment during servicing, then a permanently operating form of leak detection shall be located at the most critical point to warn of a potentially hazardous situation.

10.2 Particular attention shall be paid to the following to ensure that by working on electrical components, the casing is not altered in such a way that the level of protection is affected. This shall include damage to cables, excessive number of connections, terminals not made to original specification, damage to seals, incorrect fitting of glands, etc.

- Ensure that apparatus is mounted securely.
- Ensure that seals or sealing materials have not degraded such that they no longer serve the purpose of preventing the ingress of flammable atmospheres. Replacement parts shall be in accordance with the manufacturer s specifications.

NOTE: The use of silicon sealant may inhibit the effectiveness of some types of leak detection equipment. Intrinsically safe components do not have to be isolated prior to working on them.

#### 11. Repair to intrinsically safe components

Do not apply any permanent inductive or capacitance loads to the circuit without ensuring that this will not exceed the permissible voltage and current permitted for the equipment in use. Intrinsically safe components are the only types that can be worked on while live in the presence of a flammable atmosphere. The test apparatus shall be at the correct rating.

Replace components only with parts specified by the manufacturer. Other parts may result in the ignition of refrigerant in the atmosphere from a leak.

#### 12. Cabling

Check that cabling will not be subject to wear, corrosion, excessive pressure, vibration, sharp edges or any other adverse environmental effects. The check shall also take into account the effects of aging or continual vibration from sources such as compressors or fans.

#### 13. Detection of flammable refrigerants

Under no circumstances shall potential sources of ignition be used in the searching for or detection of refrigerant leaks. A halide torch (or any other detector using a naked flame) shall not be used.

#### 14. Leak detection methods

The following leak detection methods are deemed acceptable for systems containing flammable refrigerants. Electronic leak detectors shall be used to detect flammable refrigerants, but the sensitivity may not be adequate, or may need re-calibration. (Detection equipment shall be calibrated in a refrigerant-free area.) Ensure that the detector is not a potential source of ignition and is suitable for the refrigerant. Leak detection equipment shall be set at a percentage of the LFL of the refrigerant and shall be calibrated to the refrigerant employed and the appropriate percentage of gas (25% maximum) is confirmed. Leak detection fluids are suitable for use with most refrigerants but the use of detergents containing chlorine shall be avoided as the chlorine may react with the refrigerant and corrode the copper pipe-work.

If a leak is suspected, all naked flames shall be removed or extinguished. If a leakage of refrigerant is found which requires brazing, all of the refrigerant shall be recovered from the system, or isolated (by means of shut off valves) in a part of the system remote from the leak. Oxygen free nitrogen (OFN) shall then be purged through the system both before and during the brazing process.

#### 15. Removal and evacuation

When breaking into the refrigerant circuit to make repairs or for any other purpose conventional procedures shall be used, However, it is important that best practice is followed since flammability is a consideration. The following procedure shall be adhered to:

- remove refrigerant;
- purge the circuit with inert gas;
- evacuate;
- purge again with inert gas;
- open the circuit by cutting or brazing.

The refrigerant charge shall be recovered into the correct recovery cylinders. The system shall be flushed with OFN to render the unit safe. This process may need to be repeated several times. Compressed air or oxygen shall not be used for this task.

Flushing shall be achieved by breaking the vacuum in the system with OFN and continuing to fill until the working pressure is achieved, then venting to atmosphere, and finally pulling down to a vacuum. This process shall be repeated until no refrigerant is within the system.

When the final OFN charge is used, the system shall be vented down to atmospheric pressure to enable work to take place. This operation is absolutely vital if brazing operations on the pipe-work are to take place.

Ensure that the outlet for the vacuum pump is not closed to any ignition sources and there is ventilation available.

#### 16. Charging procedures

In addition to conventional charging procedures, the following requirements shall be followed:

- Ensure that contamination of different refrigerants does not occur when using charging equipment. Hoses or lines shall be as short as possible to minimize the amount of refrigerant contained in them.
- Cylinders shall be kept upright.
- Ensure that the refrigeration system is earthed prior to charging the system with refrigerant.
- Label the system when charging is complete (if not already).
- Extreme care shall be taken not to overfill the refrigeration system.
- Prior to recharging the system it shall be pressure tested with OFN. The system shall be leak tested on completion of charging but prior to commissioning. A follow up leak test shall be carried out prior to leaving the site.

#### 17. Decommissioning

Before carrying out this procedure, it is essential that the technician is completely familiar with the equipment and all its detail. It is recommended good practice that all refrigerants are recovered safely. Prior to the task being carried out, an oil and refrigerant sample shall be taken.

In case analysis is required prior to re-use of reclaimed refrigerant. It is essential that electrical power is available before the task is commenced.

- a) Become familiar with the equipment and its operation.
- b) Isolate system electrically
- c) Before attempting the procedure ensure that:
  - mechanical handling equipment is available, if required, for handling refrigerant cylinders;
  - all personal protective equipment is available and being used correctly;
  - the recovery process is supervised at all times by a competent person;
  - recovery equipment and cylinders conform to the appropriate standards.
- d) Pump down refrigerant system, if possible.
- e) If a vacuum is not possible, make a manifold so that refrigerant can be removed from various parts of the system.
- f) Make sure that cylinder is situated on the scales before recovery takes place.
- g) Start the recovery machine and operate in accordance with manufacturer's instructions.
- h) Do not overfill cylinders. (No more than 80% volume liquid charge).
- i) Do not exceed the maximum working pressure of the cylinder, even temporarily.
- j) When the cylinders have been filled correctly and the process completed, make sure that the cylinders and the equipment are removed from site promptly and all isolation valves on the equipment are closed off.
- k) Recovered refrigerant shall not be charged into another refrigeration system unless it has been cleaned and checked.

## 18. Labelling

Equipment shall be labelled stating that it has been de-commissioned and emptied of refrigerant. The label shall be dated and signed. Ensure that there are labels on the equipment stating the equipment contains flammable refrigerant.

## 19. Recovery

- When removing refrigerant from a system, either for service or decommissioning, it is recommended good practice that all refrigerants are removed safely.
- When transferring refrigerant into cylinders, ensure that only appropriate refrigerant recovery cylinders are employed. Ensure that the correct numbers of cylinders for holding the total system charge are available. All cylinders to be used are designated for the recovered refrigerant and labelled for that refrigerant (i.e. special cylinders for the recovery of refrigerant). Cylinders shall be complete with pressure relief valve and associated shut-off valves in good working order.
- Empty recovery cylinders are evacuated and, if possible, cooled before recovery occurs.
- The recovery equipment shall be in good working order with a set of instructions concerning the equipment that is at hand and shall be suitable for the recovery of flammable refrigerants. In addition, a set of calibrated weighing scales shall be available
- and in good working order.
- Hoses shall be complete with leak-free disconnect couplings and in good condition. Before using the recovery machine, check that it is in satisfactory working order, has been properly maintained and that any associated electrical components are sealed to prevent ignition in the event of a refrigerant release. Consult manufacturer if in doubt.
- The recovered refrigerant shall be returned to the refrigerant supplier in the correct recovery cylinder, and the relevant Waste Transfer Note arranged. Do not mix refrigerants in recovery units and especially not in cylinders.
- If compressors or compressor oils are to be removed, ensure that they have been evacuated to an acceptable level to make certain that flammable refrigerant does not remain within the lubricant. The evacuation process shall be carried out prior to re-tuning the compressor to the suppliers. Only electric heating to the compressor body shall be employed to accelerate this process. When oil is drained from a system, it shall be carried out safely.

## 20. Transportation, marking and storage for units

### 1. Transport of equipment containing flammable refrigerants

Compliance with the transport regulations

### 2. Marking of equipment using signs

Compliance with local regulations

### 3. Disposal of equipment using flammable refrigerants

Compliance with national regulations

### 4. Storage of equipment/appliances

The storage of equipment should be in accordance with the manufacturer's instructions.

### 5. Storage of packed (unsold) equipment

Storage package protection should be constructed such that mechanical damage to the equipment inside the package will not cause a leak of the refrigerant charge.

The maximum number of pieces of equipment permitted to be stored together will be determined by local regulations.

The design and specifications are subject to change without prior notice for product improvement. Consult with the sales agency or manufacturer for details.

## Technical features (MultiSplit)

| Outdoor unit                         |                  | MU1-Y           | 53M             | 61M             | 79M              | 82M             | 105M            | 125M            |
|--------------------------------------|------------------|-----------------|-----------------|-----------------|------------------|-----------------|-----------------|-----------------|
| Refrigerant lines                    |                  |                 |                 |                 |                  |                 |                 |                 |
| Indoor units connectable (Min -Max)  |                  | Dual 1~2        | Dual 1~2        | Triple 1~3      | Triple 1~3       | Quadri 1~4      | Quadri 1~4      | Penta 1~5       |
| Liquid line                          |                  | 2x1/4"          | 2x1/4"          | 3x1/4"          | 3x1/4"           | 4x1/4"          | 4x1/4"          | 5x1/4"          |
|                                      |                  | 2x6,35          | 2x6,35          | 3x6,35          | 3x6,35           | 3x6,35          | 3x6,35          | 3x6,35          |
| Gas line                             |                  | 2x3/8"          | 2x3/8"          | 3x3/8"          | 3x3/8"           | 3x3/8"+1x1/2"   | 3x3/8"+1x1/2"   | 4x3/8"+1x1/2"   |
|                                      |                  | 2x9,52          | 2x9,52          | 3x9,52          | 3x9,52           | 3x9,52+1x12,7   | 3x9,52+1x12,7   | 4x9,52+1x12,7   |
| Max. equivalent length (each branch) | m                | 25              | 25              | 30              | 30               | 35              | 35              | 35              |
| Total equivalent length max.         | m                | 40              | 40              | 60              | 60               | 80              | 80              | 80              |
| Max. length ODU / IDU                | m                | ±15             | ±15             | ±15             | ±15              | ±15             | ±15             | ±15             |
| Max. length IDU / IDU                | m                | 10              | 10              | 10              | 10               | 10              | 10              | 10              |
| Refrigerant pre-charge               | kg/m             | 0,9 / (2 x 7,5) | 1,3 / (2 x 7,5) | 1,4 / (3 x 7,5) | 1,57 / (3 x 7,5) | 2,1 / (4 x 7,5) | 2,1 / (4 x 7,5) | 2,4 / (5 x 7,5) |
| GWP                                  | tco <sub>2</sub> | 675             | 675             | 675             | 675              | 675             | 675             | 675             |
| Tons of CO <sub>2</sub> equivalent   | t <sub>t</sub>   | 0,61            | 0,88            | 0,95            | 1,06             | 1,42            | 1,42            | 1,62            |
| Additional refrigerant charge        | g/m              | 12              | 12              | 12              | 12               | 12              | 12              | 12              |

| Indoor unit       |  | 20M  | 27M  | 35M  | 53M  | 70M  |
|-------------------|--|------|------|------|------|------|
| Refrigerant lines |  |      |      |      |      |      |
| Liquid line       |  | 1/4" | 1/4" | 1/4" | 1/4" | 3/8" |
|                   |  | 6,35 | 6,35 | 6,35 | 6,35 | 9,52 |
| Gas line          |  | 3/8" | 3/8" | 3/8" | 1/2" | 5/8" |
|                   |  | 9,52 | 9,52 | 9,52 | 12,7 | 15,9 |

| Outdoor unit                      |                            | MU1-Y   | 41M                      | 53M                      | 61M                        | 79M                        | 82M                        | 105M                       | 125M                       |
|-----------------------------------|----------------------------|---------|--------------------------|--------------------------|----------------------------|----------------------------|----------------------------|----------------------------|----------------------------|
| Electrical connections            |                            |         |                          |                          |                            |                            |                            |                            |                            |
| Power supply                      | ODU --> IDU / Unit singles |         | ODU --> IDU              | ODU --> IDU              | ODU --> IDU                | ODU --> IDU                | ODU --> IDU                | ODU --> IDU                | ODU --> IDU                |
|                                   | Voltage/Frequency/Phases   | V/Hz/n° | 230 / 50 / 1             | 230 / 50 / 1             | 230 / 50 / 1               | 230 / 50 / 1               | 230 / 50 / 1               | 230 / 50 / 1               | 230 / 50 / 1               |
|                                   | n° cable/ section          |         | 2 x 1mm <sup>2</sup> + T | 2 x 1mm <sup>2</sup> + T | 2 x 1,5mm <sup>2</sup> + T | 2 x 1,5mm <sup>2</sup> + T | 2 x 1,5mm <sup>2</sup> + T | 2 x 2,5mm <sup>2</sup> + T | 2 x 2,5mm <sup>2</sup> + T |
| Communication type (for each IDU) | n° cable/ section          |         | 3 x 1mm <sup>2</sup> + T | 3 x 1mm <sup>2</sup> + T | 3 x 1mm <sup>2</sup> + T   | 3 x 1mm <sup>2</sup> + T   | 3 x 1mm <sup>2</sup> + T   | 3 x 1mm <sup>2</sup> + T   | 3 x 1mm <sup>2</sup> + T   |

### NOTE

- at the max length of the pipes, the yield is about 90%
- with a height difference > 5m it is recommend to insert a siphon.

ODU: outdoor unit

IDU: indoor unit



# Technical features (Light Commercial)

| Outdoor unit                       | MC2-Y            | 35M      | 53M      | 70M     | 105M    | 105T    | 140T    | 160T     |
|------------------------------------|------------------|----------|----------|---------|---------|---------|---------|----------|
| Refrigerant lines                  |                  |          |          |         |         |         |         |          |
| Liquid line                        | ∅                | 1/4"     | 1/4"     | 3/8"    | 3/8"    | 3/8"    | 3/8"    | 3/8"     |
|                                    | mm               | 6,35     | 6,35     | 9,52    | 9,52    | 9,52    | 9,52    | 9,52     |
| Gas line                           | ∅                | 3/8"     | 1/2"     | 5/8"    | 5/8"    | 5/8"    | 5/8"    | 5/8"     |
|                                    | mm               | 9,52     | 12,7     | 15,9    | 15,9    | 15,9    | 15,9    | 15,9     |
| Max. equivalent length             | m                | 25       | 25       | 30      | 30      | 35      | 35      | 35       |
| Max. length ODU / IDU              | m                | ±10      | ±20      | ±25     | ±30     | ±30     | ±30     | ±30      |
| Refrigerant pre-charge             | kg/m             | 0,87 / 5 | 1,35 / 5 | 1,5 / 5 | 2,4 / 5 | 2,4 / 5 | 2,8 / 5 | 2,95 / 5 |
| GWP                                | tco <sub>2</sub> | 675      | 675      | 675     | 675     | 675     | 675     | 675      |
| Tons of CO <sub>2</sub> equivalent | t <sub>i</sub>   | 0,59     | 0,91     | 1,01    | 1,62    | 1,62    | 1,89    | 1,99     |
| Additional refrigerant charge      | g/m              | 12       | 12       | 24      | 24      | 24      | 24      | 24       |

| Outdoor unit           |                                 | 35M     | 53M                        | 70M                        | 105M                       | 105T                       | 140T                       | 160T                       |
|------------------------|---------------------------------|---------|----------------------------|----------------------------|----------------------------|----------------------------|----------------------------|----------------------------|
| Electrical connections |                                 |         |                            |                            |                            |                            |                            |                            |
| Power supply           | ODU --> IDU / Unit singles      |         | ODU --> IDU                | ODU --> IDU                | Unit singles               | Unit singles               | Unit singles               | Unit singles               |
|                        | ODU - Voltage/ Frequency/Phases | V/Hz/n° | 230 / 50 / 1               | 230 / 50 / 1               | 230 / 50 / 1               | 230 / 50 / 1               | 400 / 50 / 3 + N           | 400 / 50 / 3 + N           |
|                        | ODU - n° cable/ section         |         | 2 x 2,5mm <sup>2</sup> + T | 2 x 2,5mm <sup>2</sup> + T | 2 x 2,5mm <sup>2</sup> + T | 2 x 4mm <sup>2</sup> + T   | 4 x 2,5mm <sup>2</sup> + T | 4 x 2,5mm <sup>2</sup> + T |
|                        | IDU - Voltage/ Frequency/Phases | V/Hz/n° | -                          | -                          | 230 / 50 / 1               | 230 / 50 / 1               | 230 / 50 / 1               | 230 / 50 / 1               |
|                        | IDU - n° cable/ section         |         | -                          | -                          | 2 x 1mm <sup>2</sup> + T   | 2 x 1mm <sup>2</sup> + T   | 2 x 1mm <sup>2</sup> + T   | 2 x 1mm <sup>2</sup> + T   |
| Communication type     | n° cable/ section               |         | 3 x 1mm <sup>2</sup> + T   | 3 x 1mm <sup>2</sup> + T   | 2 x 0,2mm <sup>2</sup> + T | 2 x 0,2mm <sup>2</sup> + T | 2 x 0,2mm <sup>2</sup> + T | 2 x 0,2mm <sup>2</sup> + T |

## NOTE

- at the max length of the pipes, the yield is about 90%
- with a height difference > 5m it is recommend to insert a siphon.

ODU: outdoor unit

IDU: indoor unit



OWNER'S MANUAL

# Console-SM 2 Console-SL 2

FLOOR-STANDING TYPE AIR CONDITIONER



**IMPORTANT NOTE:**

Read this manual carefully before installing for or operating your new air conditioning unit.

Make sure to save this manual future reference.



Change living home

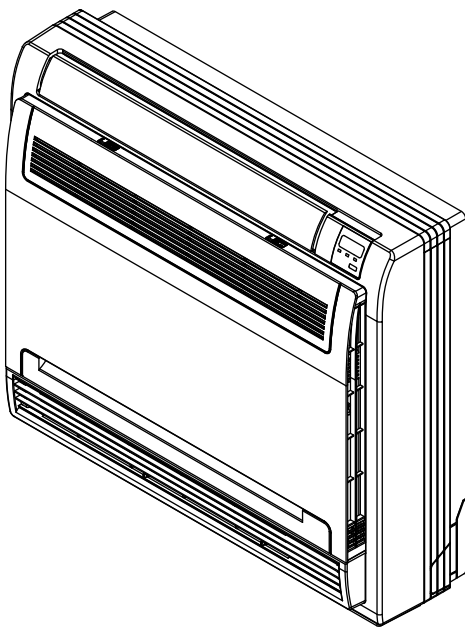
# Table of Contents

Owner's Manual

1 Safety Precautions ..... 04

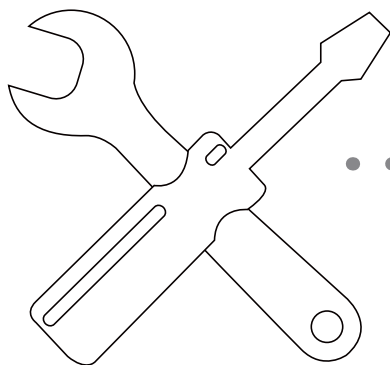


2 Indoor Unit Parts and Major Functions ..... 05



3 Manual Operations..... 07

⌋

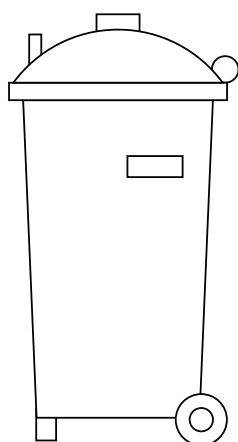
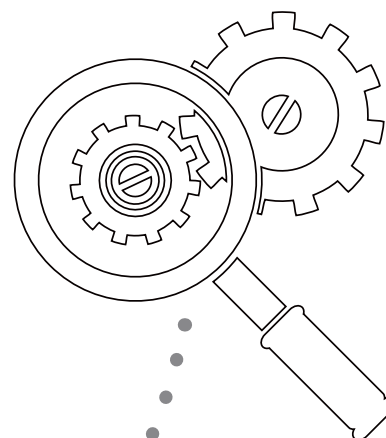


**4** Care and Maintenance ..... 08

- a. Unit Maintenance ..... 08
- b. How to Clean the Air Filter ..... 08
- c. Repairing Refrigerant Leaks ..... 09
- d. Preparation for Periods of Non-use ..... 09

**5** Troubleshooting ..... 10

- a. Common Problems ..... 10
- b. Troubleshooting Tips ..... 11



**6** European Disposal Guidelines ..... 13



**Caution: Risk of fire**  
(R32/R290 refrigerant)

**WARNING:** Servicing shall only be performed as recommended by the equipment manufacturer. Maintenance and repair requiring the assistance of other skilled personnel shall be carried out under the supervision of the person competent in the use of flammable refrigerants. For more details, please refer to the Information on servicing on INSTALLATION MANUAL. (This is only required for the unit adopts R32/R290 Refrigerant)

# Safety Precautions

# 1

Thank you for purchasing this air conditioner. This manual will provide you with information on how to operate, maintain, and troubleshoot your air conditioner. Following the instructions will ensure the proper function and extended lifespan of your unit.

Please pay attention to the following signs:



WARNING

Failure to observe a warning may result in death. The appliance must be installed in accordance with national regulations.



CAUTION

Failure to observe a caution may result in injury or equipment damage.

## WARNING

- Ask an authorized dealer to install this air conditioner. Inappropriate installation may cause water leakage, electric shock, or fire.
- The warranty will be voided if the unit is not installed by professionals.
- If abnormal situation arises (like burning smell), turn off the power supply and call your dealer for instructions to avoid electric shock, fire or injury.
- DO NOT let the indoor unit or the remote control get wet. It may cause electric shock or fire.
- DO NOT insert fingers, rods or other objects into the air inlet or outlet. This may cause injury, since the fan may be rotating at high speeds.
- DO NOT use a flammable spray such as hair spray, lacquer or paint near the unit. This may cause fire or combustion.

## CAUTION

- DO NOT touch the air outlet while the swing flap is in motion. Fingers might get caught or the unit may break down.
- DO NOT inspect the unit by yourself. Ask an authorized dealer to perform the inspection.
- To prevent product deterioration, do not use the air conditioner for preservation purposes (storage of food, plants, animals, works of art, etc.).
- DO NOT touch the evaporator coils inside the indoor unit. The evaporator coils are sharp and may cause injury.

- DO NOT operate the air conditioner with wet hands. It may cause electric shock.
- DO NOT place items that might be affected by moisture damage under the indoor unit. Condensation can occur at a relative humidity of 80%.
- DO NOT expose heat-producing appliances to cold air or place them under the indoor unit. This may cause incomplete combustion or deformation of the unit due to the heat.
- After long periods of usage, check the indoor unit to see if anything is damaged. If the indoor unit is damaged, it may fall and cause injury.
- If the air conditioner is used together with other heating devices, thoroughly ventilate the room to avoid oxygen deficiency.
- DO NOT climb onto or place objects on top of the outdoor unit.
- DO NOT operate the air conditioner when using fumigant insecticides. The chemicals may become layered with the unit and endanger those who are hypersensitive to chemicals.
- DO NOT let children play with the air conditioner.
- The air conditioner can be used by children aged 8 years and older and people with reduced physical, sensory or mental capabilities, or lack of experience and knowledge, if they have been given instruction on how to properly and safely operate the system.
- DO NOT operate the air conditioner in a wet room (e.g. bathroom or laundry room). This can cause electrical shock and cause the product to deteriorate.

# Indoor Unit Parts And Major Functions

## Unit Parts

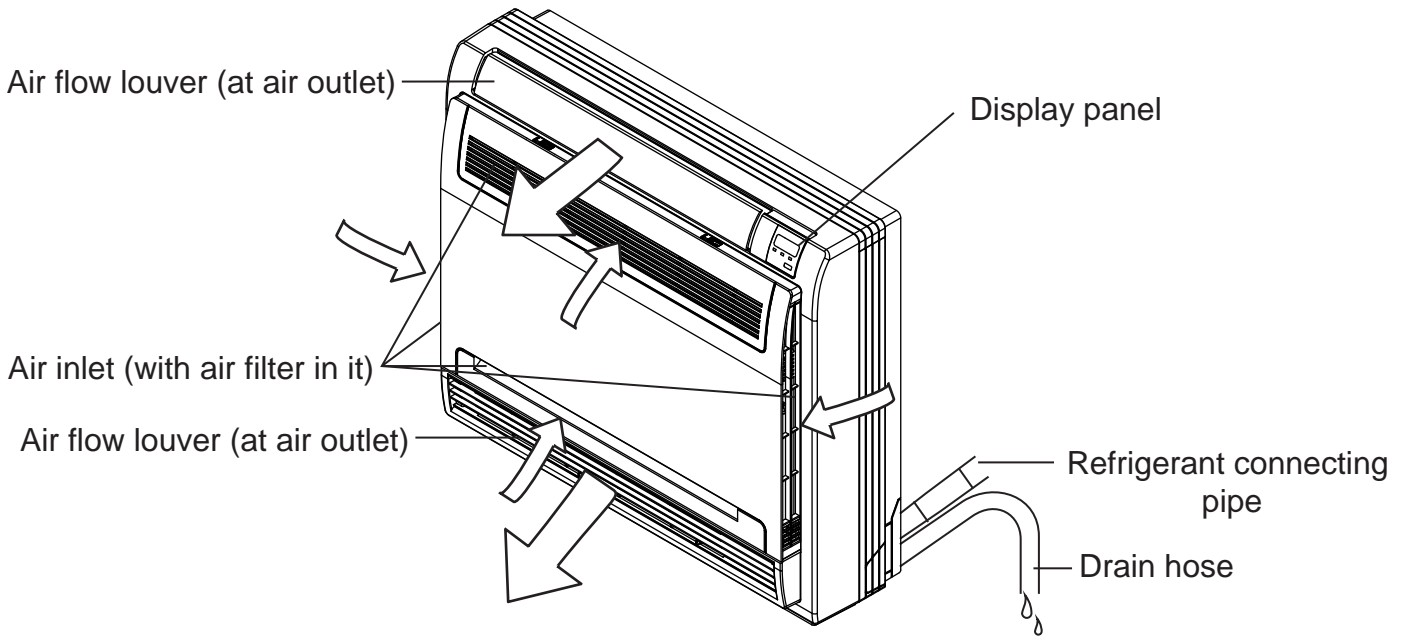


Fig. 2.1

## Operating Conditions

Use the system under the following temperatures for safe and effective operation. If the air conditioner is used under different conditions, it may malfunction or become less efficient.

|                     | COOL Mode   | HEAT mode            | DRY mode             |
|---------------------|---|----------------------|----------------------|
| Indoor Temperature  | 17-32°C<br>(62-90°F)  | 0-30°C<br>(32-86°F)  | 17-32°C<br>(62-90°F) |
| Outdoor Temperature | 0-50°C<br>(32-122°F)  | -15-24°C<br>(5-76°F) | 0-50°C<br>(32-122°F) |
|                     | -15-50°C<br>(5-122°F)<br><br>(low temperature cooling models) |                      |                      |

## Features

### Default Setting

When the air conditioner restarts after a power failure, it will default to the factory settings (AUTO mode, AUTO fan, 24°C (76°F)). This may cause inconsistencies on the remote control and unit panel. Use your remote control to update the status.

### Auto-Restart (some models)

In case of power failure, the system will immediately stop. When power returns, the Operation light on the indoor unit will flash. To restart the unit, press the ON/OFF button on the remote control. If the system has an auto restart function, the unit will restart using the same settings.

### Louver Angle Memory Function (Optional)

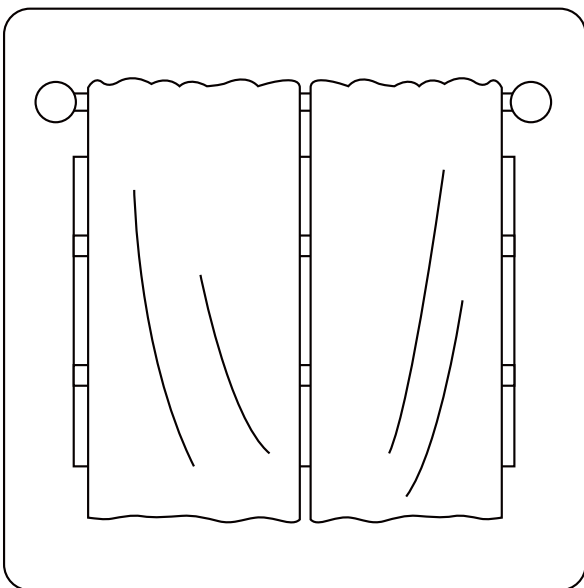
Some models are designed with a louver angle memory function. When the unit restarts after a power failure, the angle of the horizontal louvers will automatically return to the previous position. The angle of the horizontal louver should not be set too small as condensation may form and drip into the machine. To reset the louver, press the manual button, which will reset the horizontal louver settings.

### Refrigerant Leak Detection System (some models)

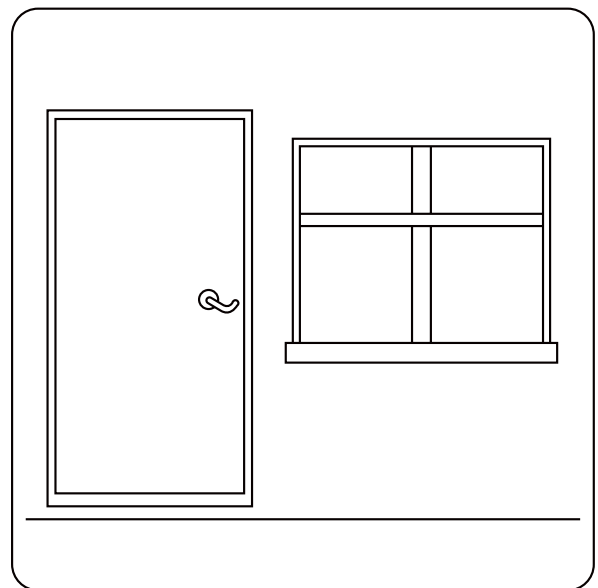
In the event of a refrigerant leak, the LCD screen will display "EC" and the LED indicator light will flash.

## Energy Saving Tips

- DO NOT set the unit to excessive temperature levels.
- While cooling, close the curtains to avoid direct sunlight.
- Doors and windows should be kept closed to keep cool or warm air in the room.
- DO NOT place objects near the air inlet and outlet of the unit.
- Set a timer and use the built-in SLEEP/ECONOMY mode if applicable.
- If you don't plan to use the unit for a long time, remove the batteries from the remote control.
- Clean the air filter every two weeks.
- Adjust louvers properly and avoid direct airflow.



Closing curtains during heating also helps keep the heat in



Doors and windows should be kept closed

This display panel on the indoor unit can be used to operate the unit in case the remote control has been misplaced or is out of batteries.

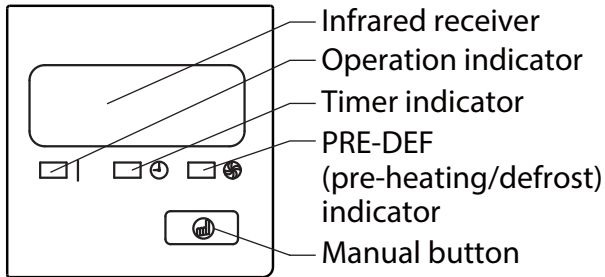


Fig. 3.1

- **MANUAL** button: This button selects the mode in the following order: AUTO, FORCED COOL, OFF.
- **FORCED COOL** mode: In FORCED COOL mode, the Operation light flashes. The system will then turn to AUTO after it has cooled with a high wind speed for 30 minutes. The remote control will be disabled during this operation.
- **OFF** mode: When the panel is turned OFF, the unit turns off and the remote control is re-enabled.

## Adjusting Air Flow Direction

**Manual Swing:** Press Air Direction to fix the louver at a desired angle. The louver swings (upward or downward) at a different angle with each press of the button.

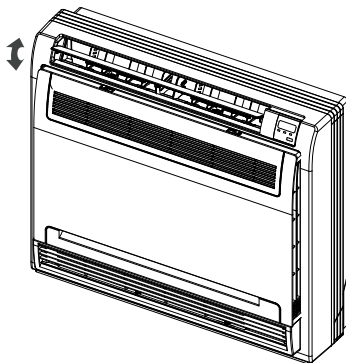


Fig. 3.2

**When cooling**  
Adjust the louver downwards (horizontally). (See Fig.3.3).  
**When heating**  
Adjust the louver vertically. (See Fig.3.4)

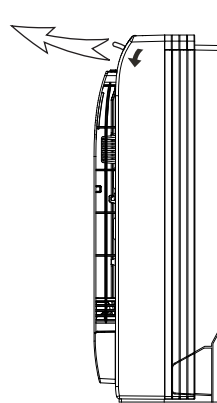


Fig. 3.3

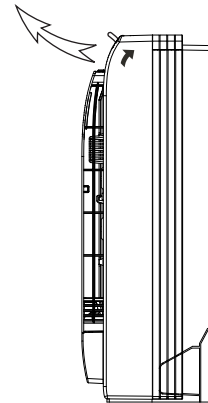


Fig. 3.4

## ! CAUTIONS

Do not try to adjust the horizontal louver by hand. This may cause damage the mechanism and result in condensation forming on the air outlets.

**Adjust the Air Flow Direction Left and Right**  
Hold the knob and move the louver. You will find a knob on the left-side and the right-side blades. (See Fig.3.5)

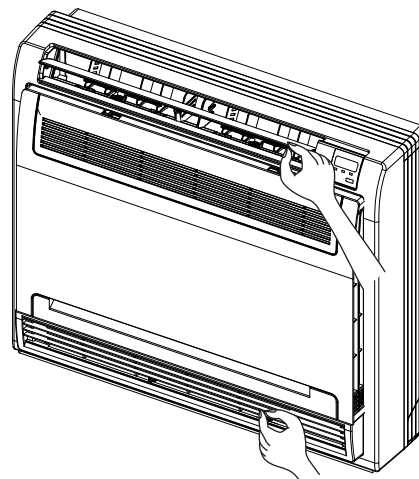


Fig. 3.5



## Safety Precautions

- Contact an authorized service technician for repair or maintenance. Improper repair and maintenance may cause water leakage, electrical shock, or fire, and may void your warranty.
- **DO NOT** substitute a blown fuse with a higher or lower amperage rating fuse, as this may cause circuit damage or an electrical fire.
- Make sure the drain hose is set up according to the instructions. Failure to do so could cause leakage and result in personal property damage, fire and electric shock.
- Make sure that all wires are connected properly. Failure to connect wires according to instructions can result in electrical shock or fire.

## Unit Maintenance

### BEFORE CLEANING OR MAINTENANCE

- Always turn off your air conditioning system and disconnect the power supply before cleaning or maintenance.
- **DO NOT** use chemicals or chemically treated cloths to clean the unit.
- **DO NOT** use benzene, paint thinner, polishing powder or other solvents to clean the unit. They can cause the plastic surface to crack or deform.
- **DO NOT** wash the unit under running water. Doing so creates an electrical hazard.
- **DO NOT** use water hotter than 40°C (104°F) to clean the front panel. This can cause the panel to become deformed or discolored.
- Clean the unit using a damp, lint-free cloth and neutral detergent. Dry the unit with a dry, lint-free cloth.

## How To Clean The Air Filter

The filter prevents dust and other particles from entering the indoor unit. Dust buildup can reduce the efficiency of the air conditioner. For optimum efficiency, clean the air filter every two weeks or more frequently if you live in a dusty area. Replace the filter with a new one if it's heavily clogged and cannot be cleaned.

### WARNING: DO NOT REMOVE OR CLEAN THE FILTER BY YOURSELF

Removing and cleaning the filter can be dangerous. Removal and maintenance must be performed by a certified technician.

NOTE: In households with animals, you will have to periodically wipe down the grille to prevent animal hair blocking airflow.

1. Open the front panel.

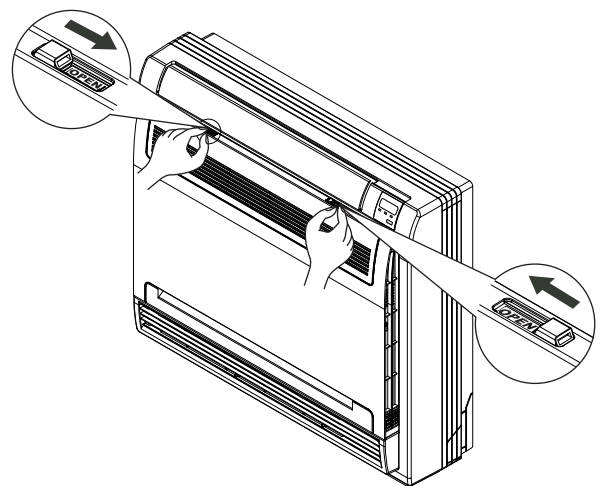


Fig. 4.1

2. Remove the air filter.  
Press the claws on the right and left sides of the air filter down slightly, then pull upward.

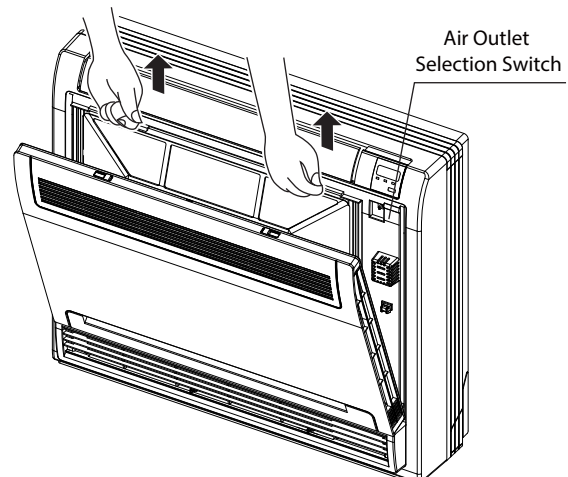


Fig. 4.2

3. Hold the tabs of the frame, and remove the 4 claws. (The special function filter can be washed with water once every 6 months. It is recommended that you replace it once every 3 years.)

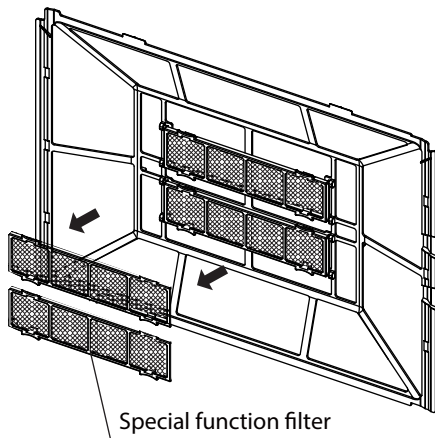


Fig. 4.3

4. Clean the air filter by vacuuming the surface or washing it in warm water with mild detergent.
  - A. If using a vacuum cleaner, the inlet side should face the vacuum.

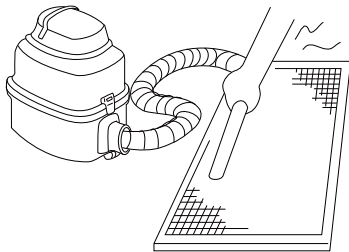


Fig. 4.4

- B. If using water, the inlet side should face down and away from the water stream.

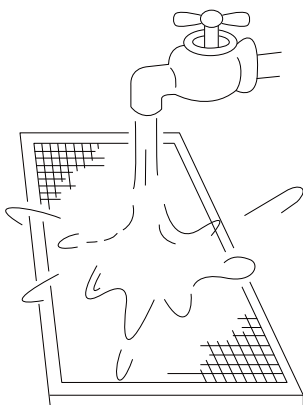


Fig. 4.5

5. Rinse the filter with clean water and allow it to air-dry. **DO NOT** let the filter dry in direct sunlight.
6. Reinstall the filter.

## Repairing Refrigerant Leaks

### ! WARNING

- If the refrigerant leaks, turn off the air conditioner and any combustible heating devices, ventilate the room and call your dealer immediately. Refrigerant is both toxic and flammable. **DO NOT** use the air conditioner until the leak is repaired.
- When the air conditioner is installed in a small room, measures must be taken to prevent the refrigerant concentration from exceeding the safety limit in the event of refrigerant leakage. Concentrated refrigerant causes a severe health and safety threat.

### Refrigerant Leak Detection System (some models)

- In the event of a refrigerant leak, the LCD screen will display "EC" and the LED indicator light will flash.

## Preparation For Periods Of Non-Use

### Maintenance after Extended Non-Use

1. Remove any obstacles blocking the vents of both the indoor and outdoor units.
2. Clean the air filter and the front grille of the indoor unit. Reinstall the clean, dry air filter in its original position.
3. Turn on the main power switch at least 12 hours prior to operating the unit.

### Storing the Unit While Not In Use

1. Run the appliance on FAN mode for 12 hours in a warm room to dry it and prevent mold.
2. Turn off the appliance and unplug it.
3. Clean the air filter according to the instructions in the previous section. Reinstall the clean, dry filter before storing.
4. Remove the batteries from the remote control.

## ! CAUTIONS

If one of the following conditions occurs, switch off the power supply immediately and contact your dealer for further assistance.

- The operation light continues to flash rapidly after the unit has been restarted.
- The remote control buttons do not work.
- The unit continually trips fuses or circuit breakers.
- A foreign object or water enters the air conditioner.
- Other abnormal situations.

## Common Problems

The following symptoms are not a malfunction and in most situations will not require repairs.

| Problem   | Possible Causes  |
|---|--|
| Unit does not turn on when pressing ON/OFF button | The unit has a 3-minute protection feature that prevents the unit from overloading. The unit cannot be restarted within three minutes of being turned off.   |
|   | Cooling and Heating Models: If the Operation light and PRE-DEF (Pre-heating/Defrost) indicators are lit up, the outdoor temperature is too cold and the unit's anti-cold wind is activated in order to defrost the unit. |
|   | In Cooling-only Models: If the "Fan Only" indicator is lit up, the outdoor temperature is too cold and the unit's anti-freeze protection is activated in order to defrost the unit.                                      |
| The unit changes from COOL mode to FAN mode       | The unit changes its setting to prevent frost from forming on the unit. Once the temperature increases, the unit will start operating again.   |
|   | The set temperature has been reached, at which point the unit turns off the compressor. The unit will resume operating when the temperature fluctuates again.  |
| The indoor unit emits white mist                  | In humid regions, a large temperature difference between the room's air and the conditioned air can cause white mist.  |
| Both the indoor and outdoor units emit white mist | When the unit restarts in HEAT mode after defrosting, white mist may be emitted due to moisture generated from the defrosting process.   |
| The indoor unit makes noises                      | A squeaking sound is heard when the system is OFF or in COOL mode. The noise is also heard when the drain pump (optional) is in operation.   |
|   | A squeaking sound may occur after running the unit in HEAT mode due to expansion and contraction of the unit's plastic parts.  |
| Both the indoor unit and outdoor unit make noises | A low hissing sound may occur during operation. This is normal and is caused by refrigerant gas flowing through both the indoor and outdoor units.   |
|   | A low hissing sound may be heard when the system starts, has just stopped running or is defrosting. This noise is normal and is caused by the refrigerant gas stopping or changing direction.                            |
| The outdoor unit makes noises                     | The unit will make different sounds based on its current operating mode.   |

| Problem  | Possible Causes  |
|--|--|
| Dust is emitted from either the indoor or outdoor unit | The unit may accumulate dust during extended periods of non-use, which will be emitted when the unit is turned on. This can be mitigated by covering the unit during long periods of inactivity. |
| The unit emits a bad odor                              | The unit may absorb odors from the environment (such as furniture, cooking, cigarettes, etc.) which will be emitted during operations.   |
|  | The unit's filters have become moldy and should be cleaned.  |
| The fan of the outdoor unit does not operate           | During operation, the fan speed is controlled to optimize product operation.   |

### Troubleshooting Tips

When troubles occur, please check the following points before contacting a repair company.

| Problem                              | Possible Causes   | Solution   |
|--------------------------------------|---|--|
| The unit is not working              | Power failure   | Wait for the power to be restored  |
|                                      | The power switch is off   | Turn on the power  |
|                                      | The fuse is burned out  | Replace the fuse   |
|                                      | Remote control batteries are dead   | Replace the remote control batteries   |
|                                      | The unit's 3-minute protection has been activated                                 | Wait three minutes after restarting the unit   |
| Poor cooling performance             | Temperature setting may be higher than the ambient room temperature               | Lower the temperature setting  |
|                                      | The heat exchanger on the indoor or outdoor unit is dirty                         | Clean the affected heat exchanger  |
|                                      | The air filter is dirty   | Remove the filter and clean it according to instructions                             |
|                                      | The air inlet or outlet of either unit is blocked                                 | Turn the unit off, remove the obstruction and turn it back on                        |
|                                      | Doors and windows are open  | Make sure that all doors and windows are closed while operating the unit             |
|                                      | Excessive heat is generated by sunlight   | Close windows and curtains during periods of high heat or bright sunshine            |
|                                      | Low refrigerant due to leak or long-term use                                      | Check for leaks, re-seal if necessary and top off refrigerant                        |
| The unit starts and stops frequently | There's too much or too little refrigerant in the system                          | Check for leaks and recharge the system with refrigerant                             |
|                                      | There is air, incompressible gas or foreign material in the refrigeration system. | Evacuate and recharge the system with refrigerant                                    |
|                                      | System circuit is blocked   | Determine which circuit is blocked and replace the malfunctioning piece of equipment |
|                                      | The compressor is broken  | Replace the compressor   |
|                                      | The voltage is too high or too low  | Install a manostat to regulate the voltage   |
| Poor heating performance             | The outdoor temperature is lower than 7°C (44.5°F)                                | Check for leaks and recharge the system with refrigerant                             |
|                                      | Cold air is entering through doors and windows                                    | Make sure that all doors and windows are closed during use                           |
|                                      | Low refrigerant due to leak or long-term use                                      | Check for leaks, re-seal if necessary and top off refrigerant                        |

## Error Codes

| Error Code | Cause  | The number of flashes per second | Timer indicator |
|------------|--|----------------------------------|-----------------|
| E0         | Indoor EEPROM (Electrically Erasable Programmable Read-Only Memory) error  | 1                                | Off             |
| E 1        | Indoor and outdoor unit communication malfunction                          | 2                                | Off             |
| E3         | Indoor fan speed malfunction   | 4                                | Off             |
| E4         | Indoor room temperature sensor error                                       | 5                                | Off             |
| E5         | Evaporator coil temperature sensor error                                   | 6                                | Off             |
| EC         | Refrigerant leak detection system malfunction                              | 7                                | Off             |
| EE         | Water level alarm malfunction  | 8                                | Off             |
| E8         | Dual indoor unit (twin model only) communication malfunction               | 9                                | Off             |
| E9         | Other twin model malfunction   | 10                               | Off             |
| F0         | Overload protection  | 1                                | On              |
| F 1        | Outdoor temperature sensor error   | 2                                | On              |
| F2         | Outdoor condenser pipe sensor error  | 3                                | On              |
| F3         | Discharge air temperature sensor error                                     | 4                                | On              |
| F4         | Outdoor EEPROM (Electrically Erasable Programmable Read-Only Memory) error | 5                                | On              |
| F5         | Outdoor fan speed (DC fan motor only) malfunction                          | 6                                | On              |
| F6         | T2b sensor error   | 7                                | On              |
| P0         | Inverter module IPM protection   | 1                                | Flash           |
| P 1        | High/Low voltage protection  | 2                                | Flash           |
| P2         | Compressor top overheating protection                                      | 3                                | Flash           |
| P3         | Outdoor low temperature protection   | 4                                | Flash           |
| P4         | Compressor drive error   | 5                                | Flash           |
| P5         | Mode conflict  | 6                                | Flash           |
| P6         | Compressor low-pressure protection   | 7                                | Flash           |
| P7         | Outdoor IGBT sensor error  | 8                                | Flash           |

The manufacturer is registered on the EEE National Register, in compliance with implementation of Directive 2012/19/EU and relevant national regulations on waste electrical and electronic equipment. This Directive requires electrical and electronic equipment to be disposed of properly.

Equipment bearing the crossed-out wheellie bin mark must be disposed of separately at the end of its life cycle to prevent damage to human health and to the environment.

Electrical and electronic equipment must be disposed of together with all of its parts.

To dispose of "household" electrical and electronic equipment, the manufacturer recommends you contact an authorised dealer or an authorised ecological area.

"Professional" electrical and electronic equipment must be disposed of by authorised personnel through established waste disposal authorities around the country.

In this regard, here is the definition of household WEEE and professional WEEE:

WEEE from private households: WEEE originating from private households and WEEE which comes from commercial, industrial, institutional and other sources which, because of its nature and quantity, is similar to that from private households. Subject to the nature and quantity, where the waste from EEE was likely to have been by both a private household and users of other than private households, it will be classed as private household WEEE;

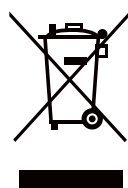
Professional WEEE: all WEEE which comes from users other than private households.

This equipment may contain:

refrigerant gas, the entire contents of which must be recovered in suitable containers by specialised personnel with the necessary qualifications;

- lubrication oil contained in compressors and in the cooling circuit to be collected;
- mixtures with antifreeze in the water circuit, the contents of which are to be collected;
- mechanical and electrical parts to be separated and disposed of as authorised.

When machine components to be replaced for maintenance purposes are removed or when the entire unit reaches the end of its life and needs to be removed from the installation, waste should be separated by its nature and disposed of by authorised personnel at existing collection centres.

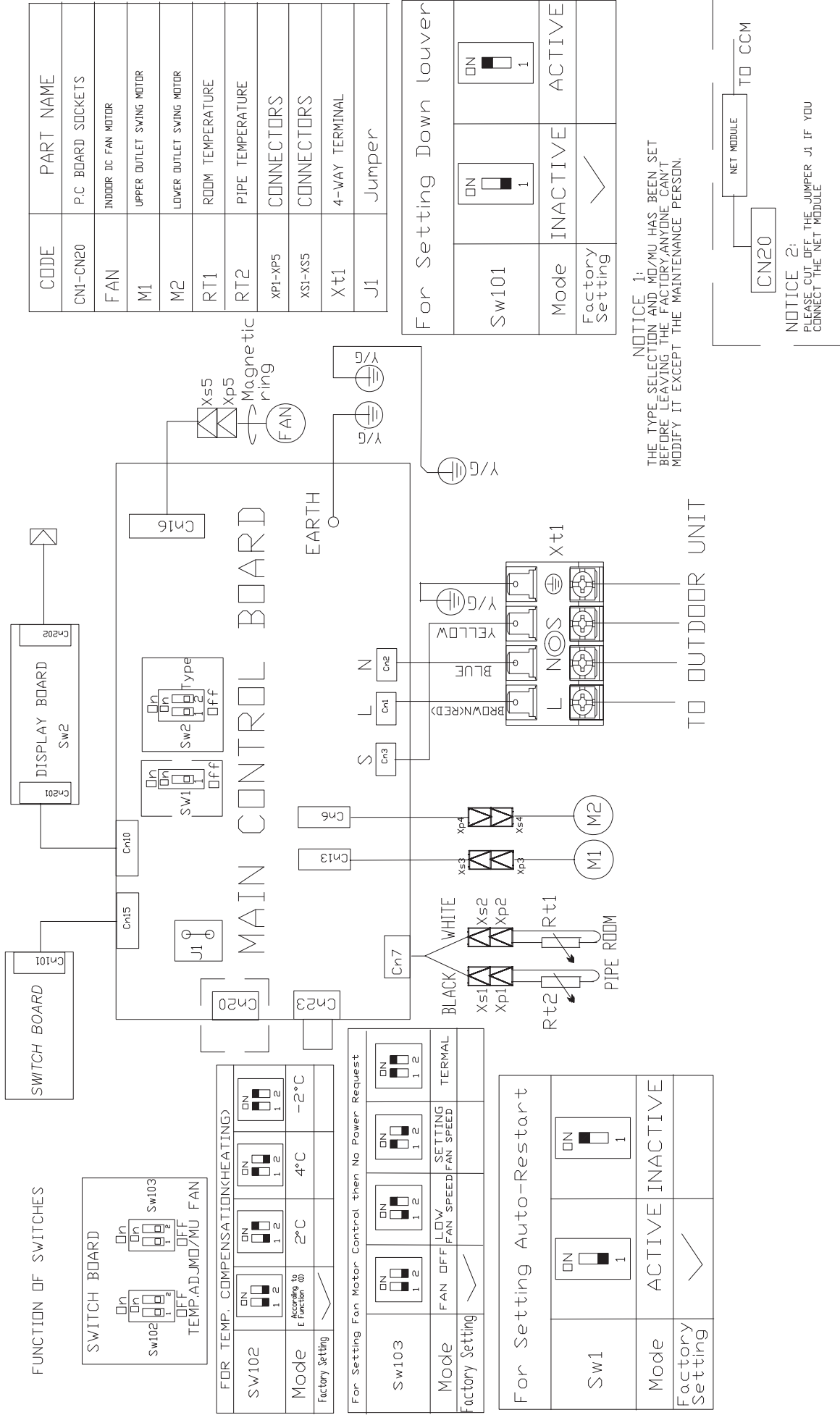


The design and specifications are subject to change without prior notice for product improvement. Consult with the sales agency or manufacturer for details.

## Connections for LIGHT Commercial

WIRING DIAGRAM  
(INDOOR UNIT)

TO WIRE CONTROLLER

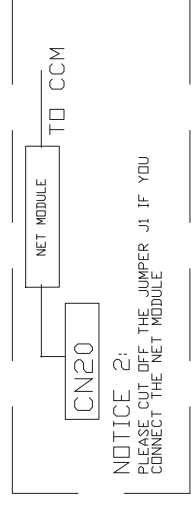


| CODE     | PART NAME                |
|----------|--------------------------|
| CN1-CN20 | P.C BOARD SOCKETS        |
| FAN      | INDOOR DC FAN MOTOR      |
| M1       | UPPER OUTLET SWING MOTOR |
| M2       | LOWER OUTLET SWING MOTOR |
| RT1      | ROOM TEMPERATURE         |
| RT2      | PIPE TEMPERATURE         |
| Xp1-Xp5  | CONNECTORS               |
| Xs1-Xs5  | CONNECTORS               |
| Xt1      | 4-WAY TERMINAL           |
| J1       | Jumper                   |

For Setting Down louver

|                 |          |    |   |   |        |
|-----------------|----------|----|---|---|--------|
| Sw101           | ON       | ON | 1 | 1 | ACTIVE |
| Mode            | INACTIVE | ✓  |   |   |        |
| Factory Setting |          |    |   |   |        |

NOTICE 1:  
THE TYPE SELECTION AND MD/MU HAS BEEN SET BEFORE LEAVING THE FACTORY, ANYONE CAN'T MODIFY IT EXCEPT THE MAINTENANCE PERSON.



NOTICE 2:  
PLEASE CUT OFF THE JUMPER J1 IF YOU CONNECT THE NET MODULE

For Setting Auto-Restart

|                 |        |          |   |   |        |
|-----------------|--------|----------|---|---|--------|
| Sw1             | ON     | ON       | 1 | 1 | ACTIVE |
| Mode            | ACTIVE | INACTIVE |   |   |        |
| Factory Setting | ✓      |          |   |   |        |

FOR TEMP. COMPENSATION(HEATING)

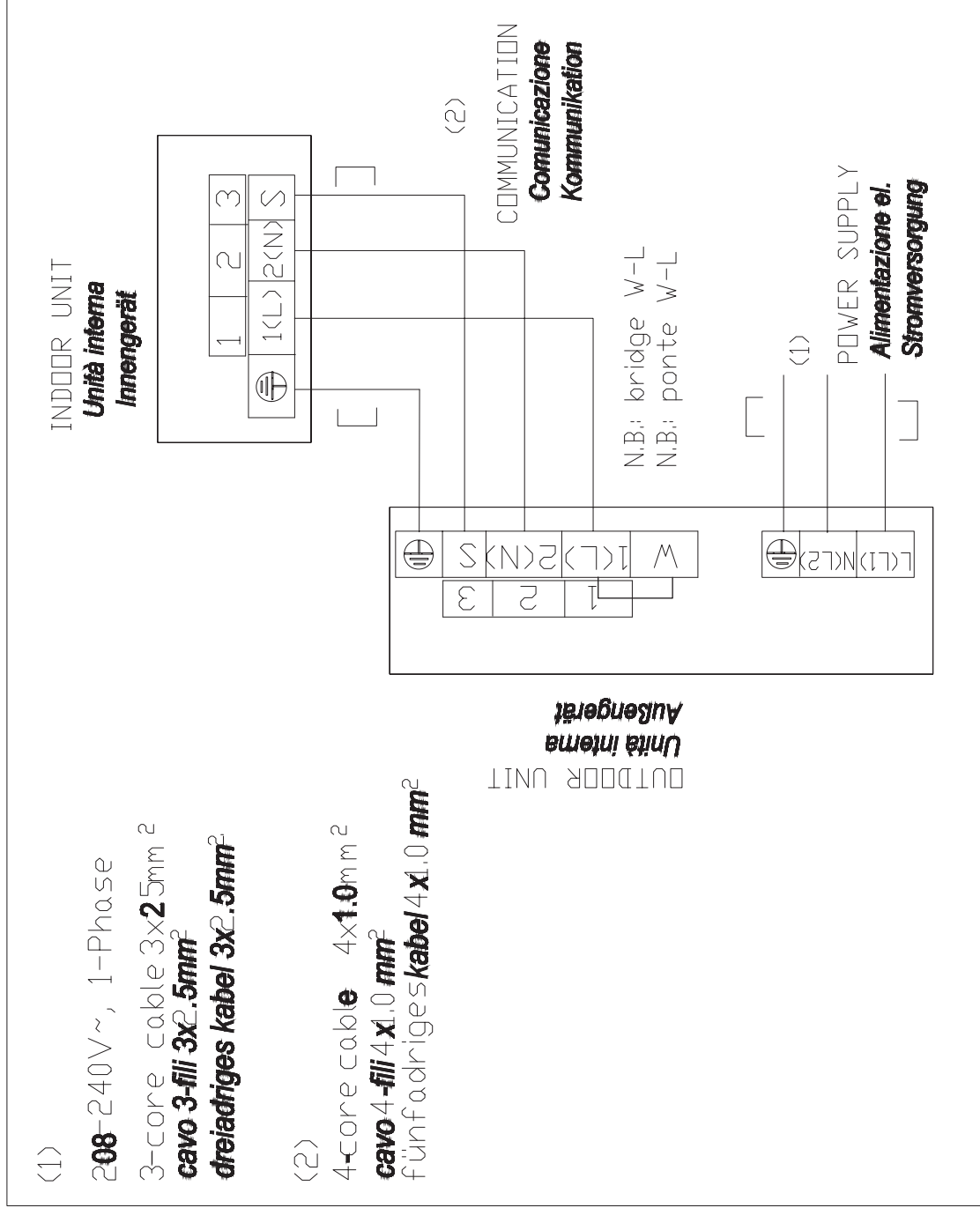
|                 |                         |     |     |      |    |   |   |        |
|-----------------|-------------------------|-----|-----|------|----|---|---|--------|
| Sw102           | ON                      | ON  | 1   | 2    | ON | 1 | 2 | TERMAL |
| Mode            | According to E Function | 2°C | 4°C | -2°C |    |   |   |        |
| Factory Setting | ✓                       |     |     |      |    |   |   |        |

For Setting Fan Motor Control then No Power Request

|                 |         |               |                   |   |    |   |   |        |
|-----------------|---------|---------------|-------------------|---|----|---|---|--------|
| Sw103           | ON      | ON            | 1                 | 2 | ON | 1 | 2 | TERMAL |
| Mode            | FAN OFF | LOW FAN SPEED | SETTING FAN SPEED |   |    |   |   |        |
| Factory Setting | ✓       |               |                   |   |    |   |   |        |

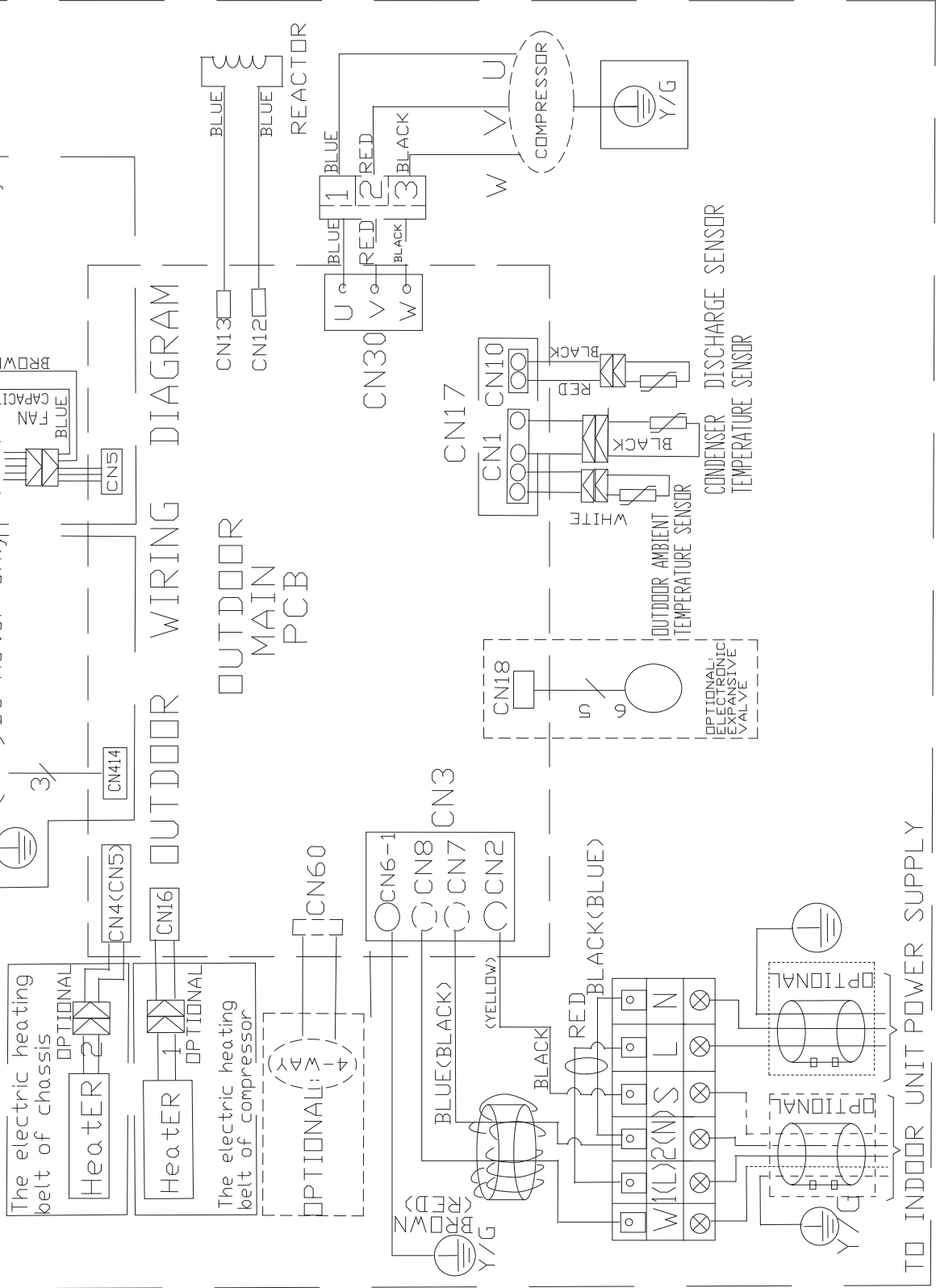


- (1) 208-240V~, 1-Phase  
3-core cable 3x2.5mm<sup>2</sup>  
**cavo 3-fili 3x2.5mm<sup>2</sup>**  
**dreifadriges kabel 3x2.5mm<sup>2</sup>**
- (2) 4-core cable 4x1.0mm<sup>2</sup>  
**cavo 4-fili 4x1.0 mm<sup>2</sup>**  
**fünfadriges kabel 4x1.0 mm<sup>2</sup>**



**CODE:16022700001415**

16022000019069



OUTDOOR WIRING DIAGRAM

OUTDOOR MAIN PCB

TO INDOOR UNIT POWER SUPPLY

|       |           |
|-------|-----------|
| SERIE | GRANDEZZA |
| MM1-Y | 53M-70M   |
| ML2-Y | 53M-70M   |
| MH1-Y | 27M-35M   |
| MC2-Y | 35M       |

**CLIVET®** A Group Company of **Alidea**

Clivet: Via Camp Lorc, 25 Villapalera 32032 Feltrè (BL) Italy  
 Web: www.clivet.com Email: info@clivet.it Tel: +39 0439 3131 - Fax: +39 0439 313300

Series/Serie: **MM1-Y/ML2-Y/MH1-Y/MC2-Y**

Grandezza/Size: **GRANDEZZA**

Schema/Wiring Diagram: **WD-PVEU-KFR35W/BP3N1Y-190(MITSUBISHI).D.13.MP-1**

ensione/Supply: **230/1/50**



# DECLARATION OF CONFORMITY EU

DICHIARAZIONE DI CONFORMITÀ UE  
KONFORMITÄT SERKLÄRUNG EU  
DECLARATION DE CONFORMITE EU  
DECLARACIÓN DE CONFORMIDAD EU

## WE DECLARE UNDER OUR SOLE RESPONSIBILITY THAT THE MACHINE

DICHIARIAMO SOTTO LA NOSTRA SOLA RESPONSABILITÀ CHE LA MACCHINA  
WIR ERKLÄREN EIGENVERANTWORTLICH, DASS DIE MASCHINE  
NOUS DÉCLARONS SOUS NOTRE SEULE RESPONSABILITÉ QUE LA MACHINE  
EL FABRICANTE DECLARA BAJO SU EXCLUSIVA RESPONSABILIDAD QUE LA MÁQUINA

CATEGORY DIRECT EXPANSION TERMINALS - Heat pump  
CATEGORIA TERMINALI AD ESPANSIONE DIRETTA - Pompa di calore  
KATEGORIE DIREKTVERDAMPFUNGSGERÄTE - Wärmepumpe  
CATEGORIE TERMINAUX À DÉTENTE DIRECTE - Pompe à chaleur  
CATEGORIA TERMINALES POR EXPANSIÓN DIRECTA - Bomba de calor

TYPE / TIPO / TYP / TYPE / TIPO

IC2-XY 27M  
IC2-XY 35M

- **COMPLIES WITH THE FOLLOWING EEC DIRECTIVES, INCLUDING THE MOST RECENT AMENDMENTS, AND THE RELEVANT NATIONAL HARMONISATION LEGISLATION CURRENTLY IN FORCE:**
- RISULTA IN CONFORMITÀ CON QUANTO PREVISTO DALLE SEGUENTI DIRETTIVE CEE, COMPRESSE LE ULTIME MODIFICHE, E CON LA RELATIVA LEGISLAZIONE NAZIONALE DI RECEPIMENTO:
- DEN IN DEN FOLGENDEN EWG-RICHTLINIEN VORGESEHENEN VORSCHRIFTEN, EINSCHLIEßLICH DER LETZTEN ÄNDERUNGEN, SOWIE DEN ANGEWANDTEN LANDESGESETZEN ENTSPRICHT:
- EST CONFORME AUX DIRECTIVES CEE SUIVANTES, Y COMPRIS LES DERNIÈRES MODIFICATIONS, ET À LA LÉGISLATION NATIONALE D'ACCUEIL CORRESPONDANTE:
- ES CONFORME A LAS SIGUIENTES DIRECTIVAS CEE, INCLUIDAS LAS ÚLTIMAS MODIFICACIONES, Y A LA RELATIVA LEGISLACIÓN NACIONAL DE RECEPCIÓN:

- 2014/35/EC** **low voltage directive**  
direttiva bassa tensione  
Bestimmungen der Niederspannungsrichtlinie  
directive basse tension  
directiva de baja tensión
- 2014/30/UE** **electromagnetic compatibility**  
compatibilità elettromagnetica  
Elektromagnetische Verträglichkeit  
compatibilité électromagnétique  
compatibilidad electromagnética
- 2009/125/CE** **Ecodesign /Progettazione ecocompatibile / Ecodesign / Éco-conception / Ecodiseño**
- 2011/65/UE** **RoHs**

-Unit manufactured and tested according to the followings Standards: EN 60335-2-40 :2003+A11+A12+A1+A2+A13 EN 60335-1 :2012+A11  
-Unità costruita e collaudata in conformità alle seguenti Normative: EN 62233 :2008 EN 55014- :2017 EN 55014-2 :2015  
-Unité construite et testée en conformité avec les Réglementations suivantes EN 61000-3-2 :2014 EN 61000-3-3 :2013  
-Unidad construida y probada de acuerdo con las siguientes Normativas EN 62321-1 :2013 EN 62321-2 :2014 EN 62321-3-1 :2014  
-Gebautes und geprüftes Gerät nach folgenden Normen EN 62321-4 :2014 EN 62321-5 :2014 EN 62321-6 :2015  
EN 62321-7-1 :2015 EN 62321 :2009

**-Responsible to constitute the technical file is the company n°.00708410253 and registered at the Chamber of Commerce of Belluno Italy**  
-Responsabile a costituire il fascicolo tecnico è la società n° 00708410253 registrata presso la Camera di Commercio di Belluno Italia  
-Verantwortliche für die technischen Unterlagen zusammenstellen n°.00708410253 ist das Unternehmen bei der Handelskammer von Belluno Italien registriert  
-Responsable pour compiler le dossier technique est la société n°00708410253 enregistrée à la Chambre de Commerce de Belluno en Italie  
-Encargado de elaborar el expediente técnico es la empresa N ° 00708410253 registrada en la Cámara de Comercio de Belluno Italia

FELTRE, 20/09/2018  
NAME / NOME / VORNAME / PRÉNOM / NOMBRE  
SURNAME / COGNOME / ZUNAME / NOM / APELLIDOS  
COMPANY POSITION / POSIZIONE / BETRIEBSPOSITION / FONCTION / CARGO  
STEFANO  
BELLÒ  
LEGALE RAPPRESENTANTE



# DECLARATION OF CONFORMITY EU

DICHIARAZIONE DI CONFORMITÀ UE  
KONFORMITÄT SERKLÄRUNG EU  
DECLARATION DE CONFORMITE EU  
DECLARACIÓN DE CONFORMIDAD EU

## WE DECLARE UNDER OUR SOLE RESPONSIBILITY THAT THE MACHINE

DICHIARIAMO SOTTO LA NOSTRA SOLA RESPONSABILITÀ CHE LA MACCHINA  
WIR ERKLÄREN EIGENVERANTWORTLICH, DASS DIE MASCHINE  
NOUS DÉCLARONS SOUS NOTRE SEULE RESPONSABILITÉ QUE LA MACHINE  
EL FABRICANTE DECLARA BAJO SU EXCLUSIVA RESPONSABILIDAD QUE LA MÁQUINA

|           |   |
|-----------|---|
| CATEGORY  | CONDENSING UNITS - Heat pump              |
| CATEGORIA | MOTOCONDENSANTI - Pompa di calore         |
| KATEGORIE | VERFLÜSSIGUNGSEINHEITEN - Wärmepumpe      |
| CATEGORIE | GROUPES DE CONDENSATION - Pompe à chaleur |
| CATEGORIA | MOTOCONDENSADORAS - Bomba de calor        |

TYPE / TIPO / TYP / TYPE / TIPO

MC2-Y 35M

- **COMPLIES WITH THE FOLLOWING EEC DIRECTIVES, INCLUDING THE MOST RECENT AMENDMENTS, AND THE RELEVANT NATIONAL HARMONISATION LEGISLATION CURRENTLY IN FORCE:**
  - RISULTA IN CONFORMITÀ CON QUANTO PREVISTO DALLE SEGUENTI DIRETTIVE CEE, COMPRESSE LE ULTIME MODIFICHE, E CON LA RELATIVA LEGISLAZIONE NAZIONALE DI RECEPIMENTO:
  - DEN IN DEN FOLGENDEN EWG-RICHTLINIEN VORGESEHENEN VORSCHRIFTEN, EINSCHLIEßLICH DER LETZTEN ÄNDERUNGEN, SOWIE DEN ANGEWANDTEN LANDESGESETZEN ENTSPRICHT:
  - EST CONFORME AUX DIRECTIVES CEE SUIVANTES, Y COMPRIS LES DERNIÈRES MODIFICATIONS, ET À LA LÉGISLATION NATIONALE D'ACCUEIL CORRESPONDANTE:
  - ES CONFORME A LAS SIGUIENTES DIRECTIVAS CEE, INCLUIDAS LAS ÚLTIMAS MODIFICACIONES, Y A LA RELATIVA LEGISLACIÓN NACIONAL DE RECEPCIÓN:
- 
- 2014/35/EC**      **low voltage directive**  
direttiva bassa tensione  
Bestimmungen der Niederspannungsrichtlinie  
directive basse tension  
directiva de baja tensión
  - 2014/30/UE**      **electromagnetic compatibility**  
compatibilità elettromagnetica  
Elektromagnetische Verträglichkeit  
compatibilité électromagnétique  
compatibilidad electromagnética
  - 2009/125/CE**      **Ecodesign** /Progettazione ecocompatibile / Ecodesign / Éco-conception / Ecodiseño
  - 2011/65/UE**      **RoHS**


-Unit manufactured and tested according to the followings Standards:  
-Unità costruita e collaudata in conformità alle seguenti Normative:  
-Unité construite et testée en conformité avec les Réglementations suivantes  
-Unidad construida y probada de acuerdo con las siguientes Normativas  
-Gebautes und geprüftes Gerät nach folgenden Normen

EN 55014-1 :2017    EN 55014-2 :2015  
EN 61000-3-3 :2013    EN 61000-3-2 :2014  
EN 60335-2-40 :2003+A11 :2004+A12 :2005+A1 :2006+A2 :2009+A13 :2012  
EN60335-1 :2012+A11 :2014+A13 :2017    EN 62233 :2008  
EN 62321-1 :2013    EN 62321-2 :2014    EN 62321-3-1 :2014  
EN 62321-4 :2014    EN 62321-5 :2014    EN 62321-6 :2015  
EN 62321-7-1 :2015    EN 62321 :2009

**-Responsible to constitute the technical file is the company n°00708410253 and registered at the Chamber of Commerce of Belluno Italy**  
-Responsabile a costituire il fascicolo tecnico è la società n° 00708410253 registrata presso la Camera di Commercio di Belluno Italia  
-Verantwortliche für die technischen Unterlagen zusammenstellen n°00708410253 ist das Unternehmen bei der Handelskammer von Belluno Italien registriert  
-Responsable pour compiler le dossier technique est la société n°00708410253 enregistrée à la Chambre de Commerce de Belluno en Italie  
-Encargado de elaborar el expediente técnico es la empresa N° 00708410253 registrada en la Cámara de Comercio de Belluno Italia

FELTRE, 20/09/2018

NAME / NOME / VORNAME / PRÉNOM / NOMBRE  
SURNAME / COGNOME / ZUNAME / NOM / APELLIDOS  
COMPANY POSITION / POSIZIONE / BETRIEBSPOSITION / FONCTION / CARGO

  
STEFANO  
BELLÒ  
LEGALE RAPPRESENTANTE



**CLIVET SPA**

Via Camp Lonc 25, Z.I. Villapaiera - 32032 Feltre (BL) - Italy  
Tel. + 39 0439 3131 - Fax + 39 0439 313300 - info@clivet.it

**CLIVET GROUP UK Limited**

4 Kingdom Close, Segensworth East - Fareham, Hampshire - PO15 5TJ - United Kingdom  
Tel. + 44 (0) 1489 572238 - Fax + 44 (0) 1489 573033 - enquiries@clivetgroup.co.uk

**CLIVET GROUP UK Limited (Service Department)**

Units F5&F6 Railway Triangle Ind Est, Walton Road - Portsmouth, Hampshire - PO6 1TG - United Kingdom  
Tel. +44 (0) 2392 381235 - Fax. +44 (0) 2392 381243 - service@clivetgroup.co.uk

**CLIVET ESPAÑA S.A.U.**

C/ Bac de Roda, 36 - 08019 Barcelona - España  
Tel. +34 93 8606248 - Fax +34 93 8855392 - info@clivet.es

Av.Manoteras Nº 38, Oficina C303 - 28050 Madrid - España  
Tel. +3491 6658280 - Fax +3491 6657806 - info@clivetes

**CLIVET GmbH (Hydronic and Applied Division)**

Hummelsbütteler Steindamm 84, 22851 Norderstedt - Germany  
Tel. + 49 (0) 40 32 59 57-0 - Fax + 49 (0) 40 32 59 57-194 - info.de@clivet.com

**CLIVET GmbH (VRF, Residential and Lightcom Division)**

Eisenstrasse 9c, 65428 Rüsselsheim/Frankfurt - Germany  
Tel. + 49 (0) 6142 83594-0 - Fax + 49 (0) 6142 83594-20 - vrf.de@clivet.com

**CLIVET RUSSIA**

Elektrozavodskaya st. 24, office 509 - 107023, Moscow, Russia  
Tel. + 74956462009 - Fax + 74956462009 - info.ru@clivet.com

**CLIVET MIDEAST FZCO**

Dubai Silicon Oasis (DSO), High Bay Complex, Office N. 20, PO BOX 342009, Dubai, UAE  
Tel. + 9714 3208499 - Fax + 9714 3208216 - info@clivet.ae

**CLIVET AIRCONDITIONING SYSTEMS PRIVATE LIMITED**

501/502, Commercial-1, Kohinoor City, Old Premier Compound, Kirol Road, Off L B S Marg, Kurla West - Mumbai 400 070  
- India info.in@clivet.cortm