

# VRF MINI

Direct expansion outdoor unit reversible heat pump for MiniVRF systems

## MSAN-XMi SERIES 80M - 450T

- ▶ **DC INVERTER TECHNOLOGY FOR HIGH EFFICIENCY AT PARTIAL LOAD**
- ▶ **DC BRUSHLESS FAN MOTOR**
- ▶ **MAXIMUM FLEXIBILITY**
- ▶ **WIDE TEMPERATURE OPERATING RANGE**
- ▶ **EASY INSTALLATION AND SERVICE**
- ▶ **SILENT OPERATIONS**
- ▶ **COMPLETE INDOOR UNIT DEDICATED SYSTEM**



R-410A



Heat pump



DC Inverter



Hermetic Rotary



Air source



Outdoor installation



Electronic expansion  
valve

Nominal Cooling Capacities from 7,2kW to 45kW  
Nominal Heating Capacities from 7,2kW to 50kW



## Mini VRF system

### Wide applications

The Full DC Inverter Mini VRF system is a highly efficient solution for small commercial buildings requiring heating and cooling of up to 15 zones with a single outdoor unit, such as restaurants, schools, business centres, offices, hotels and much more.

The system is available in 11 sizes with Cooling Capacities from 7,2kW to 45kW, designed to optimize performance and better match varieties of application requirement. Especially, the integrated design is focused on provide a better air conditioning system solution for small and middle-sized buildings in the global market.



Clivet offers a great variety of indoor units, more than 100 models in 15 different types with capacities from 1,5kW to 56kW.

Each indoor unit system can be designed at up to 130% of outdoor unit capacity: this allow any system to effectively meet the real customer and application needs.



## Flexible indoor units connection

Compressors and fans DC inverter motors and smart control system give the Mini VRF series an independent zoning control with maximum flexibility.

The outdoor unit can support up to 15 indoor units, freeing up considerable outside space for other applications.

| SIZE      | MAX INDOOR UNITS CONNECTABLE |
|-----------|------------------------------|
| 80M       | 4                            |
| 105M      | 5                            |
| 120M/120T | 6                            |
| 140M/140T | 6                            |
| 160M/160T | 7                            |
| 180T      | 9                            |
| 200T      | 10                           |
| 224T      | 11                           |
| 260T      | 12                           |
| 400T      | 14                           |
| 450T      | 15                           |



## Main standard features

### High efficiency DC inverter compressor

Full DC inverter Mini VRF adopts highly intelligent inverter-driven compressors: this advanced technology enables the capacity of the outdoor unit to be effectively modulated by the real heat load demands.

The indoor temperature regulation will be really precise with significant energy saving, helping to limit the impact on the environment.

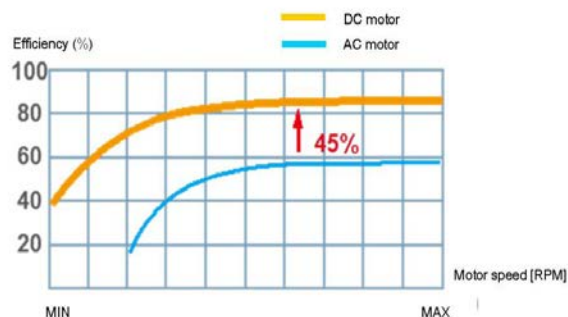
Single rotor Twin rotor

Compressor (Twin Rotary) structure

- Highly efficient DC Motor:**
  - Creative motor core design
  - High density neodymium magnet
  - Concentrated type stator
  - Wider operating frequency range
- Better balanced and extremely low vibrations:**
  - Twin eccentric cams
  - 2 balance weights
- Highly stable moving parts:**
  - Optimal material matching rollers and vanes
  - Optimize compressor drive technology
  - Highly robust bearings
  - Compact structure

### High efficiency DC inverter fan

According to the running load and pressure, this let the DC fan speed to be effectively managed achieving the minimum power consumption.

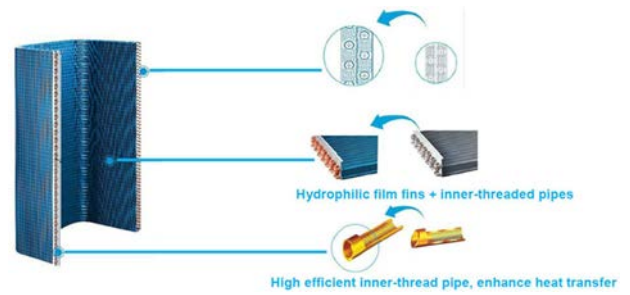


## High performance heat exchange

The new window fins enlarge the heat exchange area, decreasing the air resistance, saving more energy and enhancing the heat exchange performance.

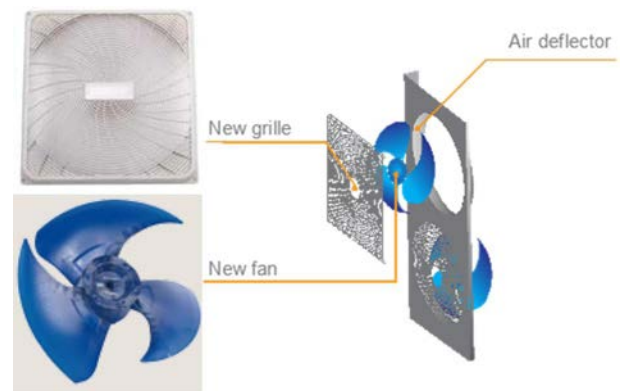
The hydrophilic film fins and the inner-threaded copper pipes optimize the heat exchange efficiency.

The electronic expansion valve guarantees a precise refrigerant regulation in the coil.



## Designed for silent operations

Optimal fan shape, discharge air grille and air deflector design produce higher air volumes and lower operating sound.

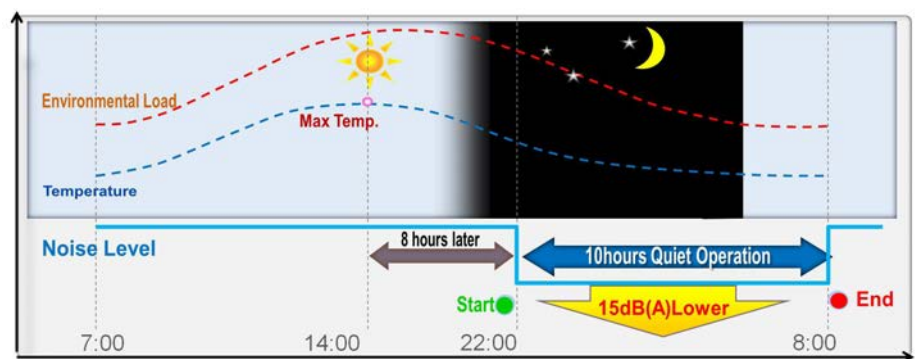


## Night Silent Mode (for sizes 200T-450T)

The Night Silent Mode feature, easily settable on the PCB board, allows the unit to operate more silently. It allows to reduce the speed of compressors and fans during Non-Peak Load operations, optimizing the unit noise output.

The system notices the daytime's peak temperature and start up the Night Silent Mode after a number of hours and with a duration preset by the user, following one of the standard models. At the end of this feature, the system will come back to its normal operations.

| Standard Models |                                      |              |
|-----------------|--------------------------------------|--------------|
| Model #         | Time delay for the Mode start up [h] | Duration [h] |
| 1               | 6                                    | 10           |
| 2               | 8                                    | 10           |
| 3               | 6                                    | 12           |
| 4               | 8                                    | 8            |

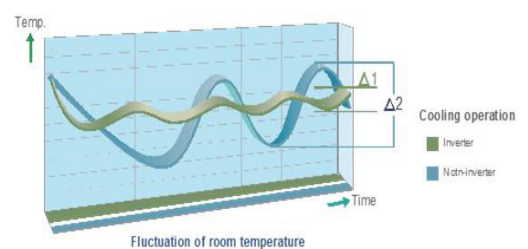


Note: This function can be set on site. Temperature and environment load curve shown in the graph is just an example.

## Quick warm-up & cool-down design and more stable indoor temperature

Thanks to the DC inverter compressor benefits, the system can reach full load quickly and shorten heating and cooling times for a comfortable air conditioning solution.

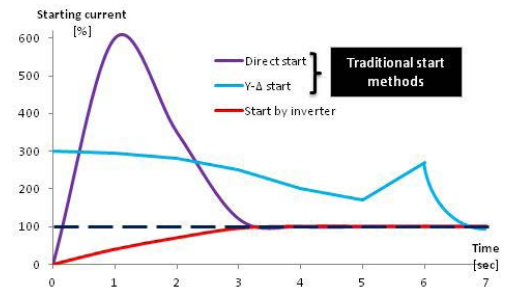
A more stable temperature then will create a better living environment.





## Intelligent soft start technology

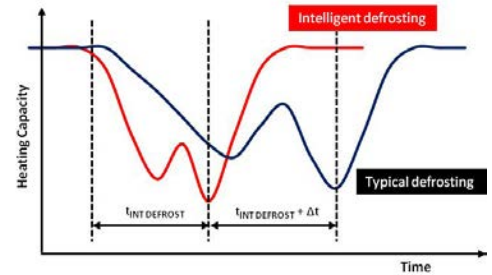
The DC inverter compressor with soft start function reduces the strike on the electric network. This kind of high-performance and silent twin rotary compressor operates at a faster rate when starting, reducing start-up time. It also helps the unit to quickly adjust the room temperature to the set level.



## Intelligent defrosting technology (for sizes 200T to 450T)

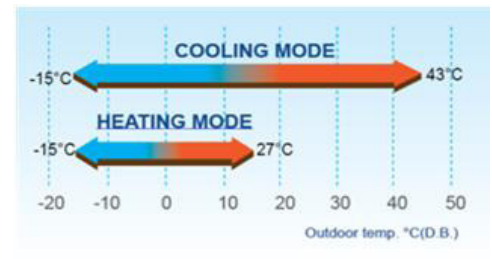
Intelligent defrosting helps to limit the energy wastes: the necessary defrosting time and frequencies are adjusted directly by the outdoor unit.

Depending on outdoor and unit temperatures, the defrosting duration is reduced to what is really necessary, down to 4 minutes. This greatly decreases heat losses and maintains effectively indoor comfort.



## Wide temperature operating range

No matter if in extremely cold winters, when outdoor temperatures get as low as -15°C, or in hot summers, when temperatures are up to 43°C: the Mini VRF system will keep stable performance.



## Easy installation, maintenance and control

### Flexible piping design



| Piping Length                                       |                    | 80M-105M | 120M/T-180T | 200T-260T | 400T-450T |
|---|--------------------|----------|-------------|-----------|-----------|
| Total piping length (Actual)                        |                    | 100m     | 100m        | 120m      | 250m      |
| Longest piping length                               | Actual             | 45m      | 60m         | 60m       | 100m      |
|   | Equivalent         | 50m      | 70m         | 70m       | 120m      |
| From first branch joint to the farthest indoor unit |                    | 20m      | 20m         | 20m       | 40m       |
| From indoor unit to the nearest branch pipe         |                    | 15m      | 15m         | 15m       | 15m       |
| Level difference between outdoor unit - indoor unit | Outdoor unit above | 30m      | 30m         | 30m       | 30m       |
|   | Outdoor unit below | 20m      | 20m         | 20m       | 20m       |
| Level difference between indoor units               |                    | 8m       | 8m          | 8m        | 8m        |

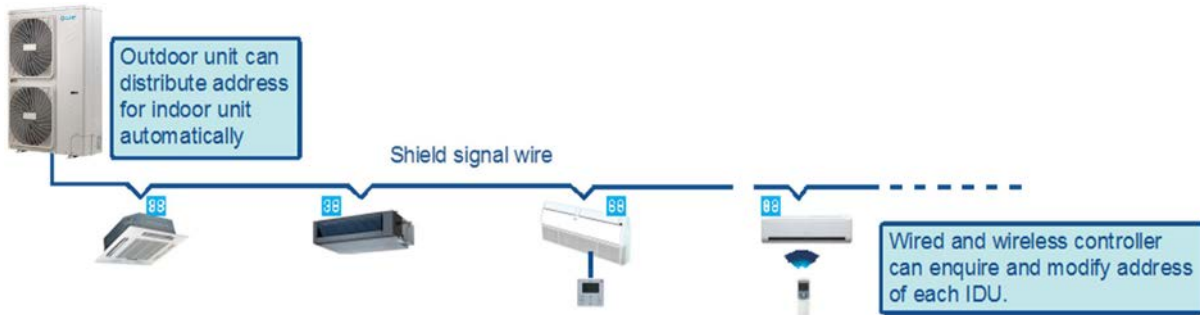
### Simple signal line connection

Installation is much easier as the communication wiring between indoor & outdoor units can be shared.

It's easy for the user to retrofit the existing system with a centralized control by simply connecting to outdoor unit.

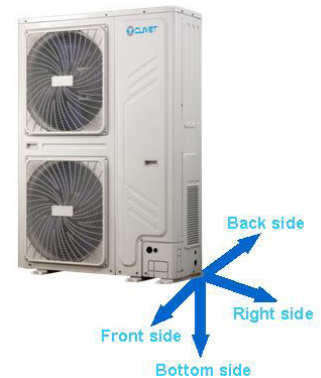


## Auto addressing function



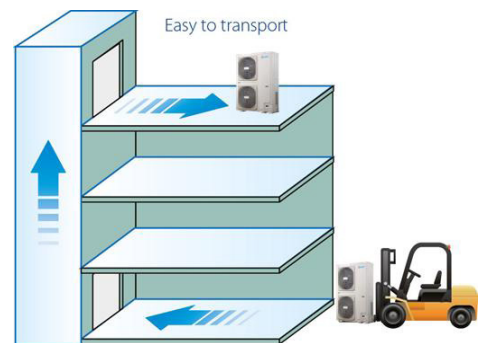
## Easy piping connection

- Factory pre-charged refrigerant can simplify field labour.
- Four directions to connect pipes and wirings to meet various installation requests.
- Easier and safer installation thanks to the Branch Box that simplifies piping work greatly (optional separate supply accessory)



## Easy installation

Compact size and light weight design minimize the installation footprint, reduce the installation floor load and make easy for transportation. For some projects the units can even be transported through elevators or forklifts, reducing accessing problems at the jobsite.



## Easy refrigerant charge and electronic diagnosis

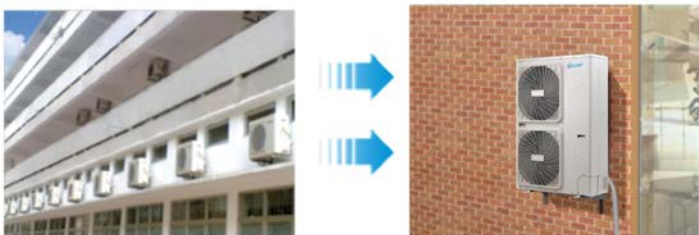
The button for forced cooling makes outdoor unit run in cooling mode at any condition, so it's very easy to charge refrigerant to the system when it needs to be done.

The self-diagnosis function detects malfunctions in major locations in the system and displays the type and its location. This allows service and maintenance to be performed more efficiently.






## Space saving and attention to visual impact



Mini VRF units are slim and compact, resulting in significant savings in installation space. This makes the system particularly suitable for applications where it is necessary to limit the visual impact on the architecture, as in historical or prestige buildings.



## Outdoor unit lineup

| Size                   |          | 80M   | 105M | 120M  | 140M | 160M |
|------------------------|----------|---|------|---|------|------|
| Cooling capacity range | [kW]     | 7,2   | 9,0  | 12,3  | 14,0 | 15,5 |
| Heating capacity range | [kW]     | 7,2   | 9,0  | 13,2  | 15,4 | 17,0 |
| Power supply           | [V/P/Hz] | 230/1/50  |      |   |      |      |
| Appearance             |          |  |      |  |      |      |



| Size                   |          | 120T   | 140T | 160T | 180T |
|------------------------|----------|--|------|------|------|
| Cooling capacity range | [kW]     | 12,3   | 14,0 | 15,5 | 17,5 |
| Heating capacity range | [kW]     | 13,2   | 15,4 | 17,0 | 19,0 |
| Power supply           | [V/P/Hz] | 400/3/50+N   |      |      |      |
| Appearance             |          |  |      |      |      |

| Size                   |          | 200T  | 224T | 260T  | 400T | 450T |
|------------------------|----------|---|------|---|------|------|
| Cooling capacity range | [kW]     | 20,0  | 22,4 | 26,0  | 40,0 | 45,0 |
| Heating capacity range | [kW]     | 22,0  | 24,5 | 28,5  | 40,0 | 45,0 |
| Power supply           | [V/P/Hz] | 400/3/50+N  |      |   |      |      |
| Appearance             |          |  |      |  |      |      |







## Indoor Unit lineup


| Cooling Capacity [kW] | Heating Capacity [kW] | Cassette type   |   |   |   |
|-----------------------|-----------------------|---|---|---|---|
|                       |                       | 1-way Cassette  | 2-way Cassette  | Compact 4-way Cassette  | 4-way Cassette  |
|                       |                       | Q1DN-XMi<br> | Q2DN-XMi<br> | Q4AN-XMi<br> | Q4DN-XMi<br> |
| 1,5                   | 1,7                   |   |   | .*  |   |
| 1,8                   | 2,2                   | .   |   |   |   |
| 2,2                   | 2,4                   |   |   | .   |   |
| 2,2                   | 2,6                   | .   | .   |   |   |
| 2,8                   | 3,2                   | .   | .   | .   | .   |
| 3,6                   | 4,0                   | .   | .   | .   | .   |
| 4,5                   | 5,0                   | .   | .   | .   | .   |
| 5,6                   | 6,3                   | .   | .   |   | .   |
| 7,1                   | 8,0                   | .   |   |   | .   |
| 8,0                   | 9,0                   |   |   |   | .   |
| 9,0                   | 10,0                  |   |   |   | .   |
| 10,0                  | 11,1                  |   |   |   | .   |
| 11,2                  | 12,5                  |   |   |   | .   |
| 14,0                  | 15,0                  |   |   |   | .   |


| Cooling Capacity [kW] | Heating Capacity [kW] | Duct type   |   |
|-----------------------|-----------------------|---|---|
|                       |                       | Low and medium static pressure  | High static pressure  |
|                       |                       | CNT2-XMi<br> | CN-XMi<br> |
| 1,5                   | 1,7                   | .*  |   |
| 2,2                   | 2,6                   | .   |   |
| 2,8                   | 3,2                   | .   |   |
| 3,6                   | 4,0                   | .   |   |
| 4,5                   | 5,0                   | .   |   |
| 5,6                   | 6,3                   | .   |   |
| 7,1                   | 8,0                   | .   | .   |
| 8,0                   | 9,0                   | .   | .   |
| 9,0                   | 10,0                  | .   | .   |
| 11,2                  | 12,5                  | .   | .   |
| 14,0                  | 15,5                  | .   |   |
| 14,0                  | 16,0                  |   | .   |
| 16,0                  | 17,0                  |   | .   |
| 20,0                  | 22,5                  |   | .   |
| 25,0                  | 26,0                  |   | .   |
| 28,0                  | 31,5                  |   | .   |

Note: All 1,5kW indoor units (.\* ) are available only for MiniVRF system

## Indoor Units lineup

| Cooling Capacity [kW] | Heating Capacity [kW] | Floor-standing/Ceiling & Floor/Console  |   |   |   |
|-----------------------|-----------------------|---|---|---|---|
|                       |                       | Floor standing (exposed)  | Floor standing (concealed)  | Ceiling & floor   | Console   |
|                       |                       | DZDF4-XMi - DZDF5-XMi   | DZGF3B-XMi  | DDLX-XMi  | DNB-XMi   |
| 2,2                   | 2,4                   |  |  |  |  |
| 2,2                   | 2,6                   | •   | •   | •   | •   |
| 2,8                   | 3,2                   | •   | •   | •   | •   |
| 3,6                   | 4,0                   | •   | •   | •   | •   |
| 4,5                   | 5,0                   | •   | •   | •   | •   |
| 5,6                   | 6,3                   | •   | •   | •   | •   |
| 7,1                   | 8,0                   | •   | •   | •   | •   |
| 8,0                   | 9,0                   | •   | •   | •   | •   |
| 9,0                   | 10,0                  | •   | •   | •   | •   |
| 11,2                  | 12,5                  | •   | •   | •   | •   |
| 14,0                  | 15,0                  | •   | •   | •   | •   |

| Cooling Capacity [kW] | Heating Capacity [kW] | Wall mounted  |
|-----------------------|-----------------------|---|
|                       |                       | GWMN-XMi  |
| 2,2                   | 2,4                   |  |
| 2,8                   | 3,2                   | •   |
| 3,6                   | 4,0                   | •   |
| 4,5                   | 5,0                   | •   |
| 5,6                   | 6,3                   | •   |
| 7,1                   | 8,0                   | •   |
| 8,0                   | 9,0                   | •   |
| 9,0                   | 10,0                  | •   |

| Cooling Capacity [kW] | Heating Capacity [kW] | Duct type   |
|-----------------------|-----------------------|---|
|                       |                       | Fresh Air processing units  |
|                       |                       | CNFA-XMi  |
|                       |                       |  |
| 12,5                  | 10,5                  | •   |
| 14,0                  | 12,0                  | •   |
| 20,0                  | 18,0                  | •   |
| 25,0                  | 20,0                  | •   |
| 28,0                  | 22,0                  | •   |

Fresh air processing units are available only for Outdoor Units 400T and 450T.

| Size      | Indoor/Outdoor permitted Combination Ratio |                                      |   |  |
|-----------|--|--------------------------------------|---|--|
|           | Minimum                                    | Maximum (standard indoor units only) | Maximum (Fresh Air processing units only) | Maximum (Fresh Air + standard indoor units)* |
| 80M       | 45%  | 130%                                 | -   | -  |
| 105M      | 45%  | 130%                                 | -   | -  |
| 120M/120T | 45%  | 130%                                 | -   | -  |
| 140M/140T | 45%  | 130%                                 | -   | -  |
| 160M/160T | 45%  | 130%                                 | -   | -  |
| 180T      | 45%  | 130%                                 | -   | -  |
| 200T      | 50%  | 130%                                 | -   | -  |
| 224T      | 50%  | 130%                                 | -   | -  |
| 260T      | 50%  | 130%                                 | -   | -  |
| 400T      | 50%  | 130%                                 | 100%                                      | 100%   |
| 450T      | 50%  | 130%                                 | 100%                                      | 100%   |

\* When fresh air processing units are installed together with standard indoor units, the total capacity of the fresh air processing units must not exceed 30% of the total capacity of the outdoor unit.

Combination ratio: ratio between the sum of indoor units' capacities and the outdoor unit capacity.

If an Outdoor Unit connects just a single Indoor Unit, the capacity of the Indoor Unit should be lower than the Outdoor one. If an Outdoor Unit connects more Indoor Units, the capacity of each Indoor Unit should not be more than 8 kW in order to preserve refrigerant uniform distribution.

Due to continuous improvement, specifications are subject to change without prior notice.

## Primary Air complementary units lineup

| Air flow rate<br>[m <sup>3</sup> /h] | Primary Air Units   |  |  |
|--------------------------------------|---|--|--|
|                                      | Local passive recovery  | Local thermodynamic recovery   | Central thermodynamic recovery   |
|                                      | HRV-Mi<br> | CPAN-U<br> | CPAN-XHE3<br> |
| 70                                   |   | •  |  |
| 120                                  |   | •  |  |
| 200                                  | •   | •  |  |
| 300                                  | •   | •  |  |
| 400                                  | •   |  |  |
| 500                                  | •   | •  |  |
| 650                                  |   | •  |  |
| 800                                  | •   |  |  |
| 1000                                 | •   |  |  |
| 1300                                 |   |  | •  |
| 1500                                 | •   |  |  |
| 2000                                 | •   |  |  |
| 2200                                 |   |  | •  |
| 4600                                 |   |  | •  |
| 7200                                 |   |  | •  |
| 9500                                 |   |  | •  |
| 12000                                |   |  | •  |

# System selection procedure

## Step 1: Establish design conditions

Design temperature and humidity (indoor and outdoor)  
 Required heat load of each room  
 System peak load  
 Piping length, level differences  
 Indoor unit specifications (type and quantity)

## Step 2: Select indoor units

Decide indoor unit safety factor

Select indoor unit models ensuring that:  
 $\text{Indoor unit capacity corrected for indoor air temperature WB}^1 \geq \text{Required heat load} \times \text{Indoor unit safety factor}$

## Step 3: Select outdoor units

Determine required total heat load on outdoor units

Use the sum of the peak load of each room      Use the system peak load

Provisionally select outdoor unit capacity based on combination ratio limitations

Confirm that the number of indoor units connected to the outdoor units is within limitation

Correct cooling and heating capacities of the outdoor units for the following items:  
 Outdoor air temperature / Indoor air temperature WB / Combination ratio / Piping length, level difference / Piping heat loss / Frost accumulation (for heating capacity only)

Is corrected outdoor unit capacity  $\geq$  Required total heat load on outdoor units?

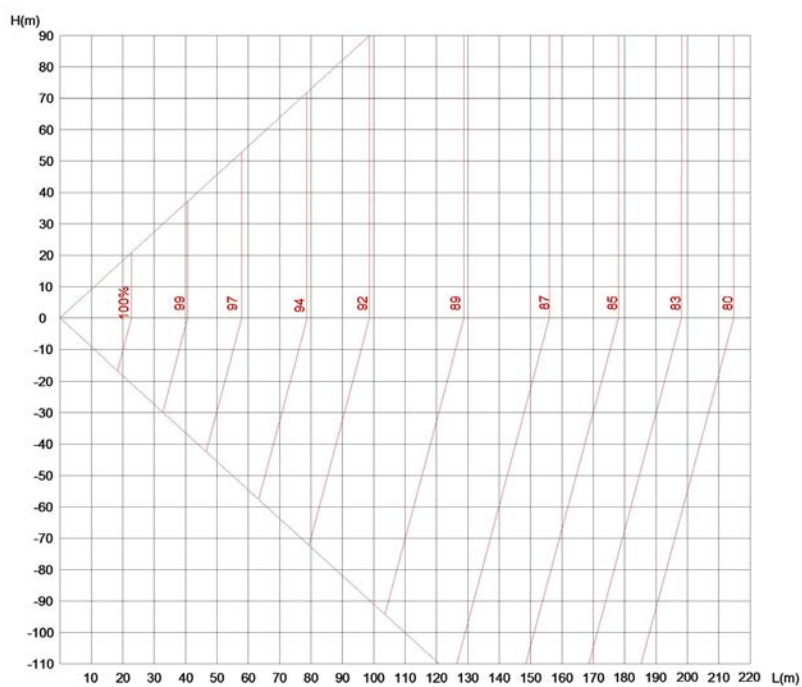
NO

VRF system selection is complete

Notes:  
 1.If the indoor design temperature falls between two temperatures listed in the indoor unit's capacity table, calculate the corrected capacity by interpolation. If the indoor unit selection is to be based on total heat load and sensible heat load, select indoor units which satisfy not only the total head load requirements of each room but also the sensible heat load requirements of each room. As with total heat capacity, the sensible heat capacity of indoor units should be corrected for indoor temperature, interpolating where necessary. For the indoor unit capacity tables, refer to the indoor unit technical manuals.

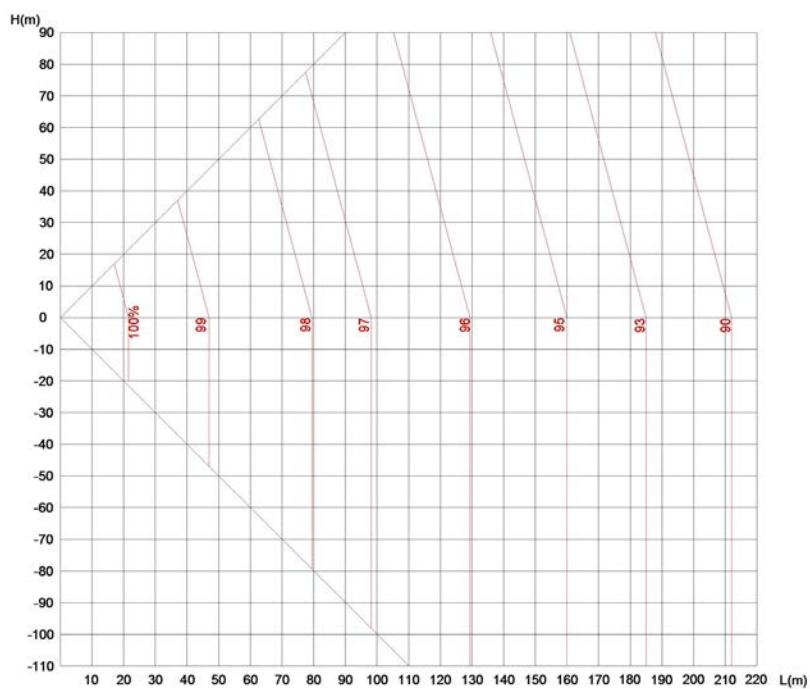
## Correction factors for length and level difference of refrigerant pipes

### Cooling



L: Refrigerant pipe equivalent length [m]  
 H: Level difference between outdoor and indoor unit [m]  
 Positive data means outdoor unit is higher.  
 Negative data means outdoor unit is lower

### Heating





## Example: Cooling in a 6-rooms building

### Given conditions

- Cooling conditions: indoor temperature 20°C (68°F) WB  
outdoor temperature 35°C (95°F) DB;
- Cooling load:

| Location        | Room A     | Room B     | Room C      | Room D     | Room E      | Room F      |
|-----------------|------------|------------|-------------|------------|-------------|-------------|
| Load kW (Btu/h) | 2,1 (7170) | 2,8 (9559) | 3,5 (11900) | 2,1 (7170) | 5,8 (19790) | 7,2 (24570) |

- Power supply: Outdoor unit 400V/3p/50Hz+N  
Indoor unit 230V/1p/50Hz
- Refrigerant equivalent piping length: 50m (164ft)
- Level difference between indoor unit and outdoor unit: 30m (98,4ft)

### Indoor units selection

- Indoor unit type selected: Mid Static Pressure Duct
- Suitable capacity for Mid Static Pressure Duct in dedicated capacity tables in Technical Manual: at conditions of Indoor 20°C (68°F) WB and Outdoor 35°C (95°F) DB

| Location            | Room A     | Room B     | Room C      | Room D     | Room E      | Room F      |
|---------------------|------------|------------|-------------|------------|-------------|-------------|
| Load kW (Btu/h)     | 2,1 (7170) | 2,8 (9559) | 3,5 (11900) | 2,1 (7170) | 5,8 (19790) | 7,2 (24570) |
| Model               | D22        | D28        | D36         | D22        | D56         | D71         |
| Capacity kW (Btu/h) | 2,3 (7850) | 2,9 (9900) | 3,8 (12600) | 2,3 (7850) | 5,9 (20500) | 7,5 (25600) |

### Outdoor unit selection

- Indoor / outdoor unit combination as follow:
  - Total capacity of indoor units in the combination according to the above table:  
 $2,3 \times 2 + 2,9 \times 1 + 3,8 \times 1 + 5,9 \times 1 + 7,5 \times 1 = 24,7 \text{ kW (84,3 kBtu/h)}$
  - Outdoor unit selection: MSAN-XMi 260T, with nominal Cooling Capacity at given conditions: 26,3kW (89,7kBtu/h).
  - Capacity Ratio:  $247/263 = 94\%$
  - Capacity Ratio within 50%÷130%: suitable selection
- Capacity correction for combination:
  - MSAN-XMi 260T at conditions Indoor: 20°C (68°F) WB and Outdoor: 35°C (95°F) DB
  - Combination Index: 90% Cooling Capacity: 24,9kW (85,0kBtu/h)
  - Combination Index: 100% Cooling Capacity: 26,3kW (89,7kBtu/h)
  - Combination Index 94% **Cooling Capacity**:  $24,9 + \{(26,3 - 24,9) / 10\} \times 4 = 25,5 \text{ kW (87,0 kBtu/h)}$

- Correction Coefficient for equivalent piping length 50m (164ft) and level difference 30m (98,4ft): 97,5%

Corrected Cooling Capacities for each indoor unit:

**D22:**  $25,5 \times 22 / 247 \times 0,975 = 2,21 \text{ kW (7,6 kBtu/h)}$

**D28:**  $25,5 \times 28 / 247 \times 0,975 = 2,82 \text{ kW (9,6 kBtu/h)}$

**D36:**  $25,5 \times 36 / 247 \times 0,975 = 3,62 \text{ kW (12,4 kBtu/h)}$

**D56:**  $25,5 \times 56 / 247 \times 0,975 = 5,64 \text{ kW (19,2 kBtu/h)}$

**D71:**  $25,5 \times 71 / 247 \times 0,975 = 7,15 \text{ kW (24,4 kBtu/h)}$

| Location                      | Room A      | Room B      | Room C       | Room D      | Room E       | Room F       |
|-------------------------------|-------------|-------------|--------------|-------------|--------------|--------------|
| Load kW (Btu/h)               | 2,1 (7170)  | 2,8 (9559)  | 3,5 (11900)  | 2,1 (7170)  | 5,8 (19790)  | 7,2 (24570)  |
| Model                         | D22         | D28         | D36          | D22         | D56          | D71          |
| Corrected Capacity kW (Btu/h) | 2,21 (7600) | 2,82 (9600) | 3,62 (12400) | 2,21 (7600) | 5,64 (19200) | 7,15 (24400) |

### Conclusion

Generally, this result is acceptable, therefore the calculation process has been completed. But if it appears that the result is not acceptable, the above process may be repeated.

Remark: In this sample, other capacity modification indexes were not considered and are assumed equal to 1.

For more details about the effect factor such as outside ambient/inside ambient DB/WB, please refer to the performance table of indoor and outdoor units.

## General technical data

| Size                                       |             |          | 80M                   | 105M          | 120M          | 140M          | 160M          |
|--|-------------|----------|-----------------------|---------------|---------------|---------------|---------------|
| <b>Cooling</b>                             |             |          |                       |               |               |               |               |
| Cooling capacity (EN14511:2013)            | 1           | [kW]     | 7,2                   | 9,0           | 12,3          | 14,0          | 15,5          |
| Total power input (EN14511:2013)           | 1           | [kW]     | 1,85                  | 2,30          | 3,25          | 3,85          | 4,39          |
| EER (EN14511:2013)                         | 1           | -        | 3,90                  | 3,92          | 3,78          | 3,64          | 3,53          |
| ESEER                                      |             | -        | 7,36                  | 7,40          | 7,10          | 6,68          | 6,42          |
| SEER                                       |             | -        | 5,30                  | 5,60          | 5,67          | 5,92          | 6,05          |
| Cooling efficiency class                   | 2           | -        | A                     | A+            | -             | -             | -             |
| <b>Heating</b>                             |             |          |                       |               |               |               |               |
| Heating capacity (EN14511:2013)            | 3           | [kW]     | 7,2                   | 9,0           | 13,2          | 15,4          | 17,0          |
| Total power input (EN14511:2013)           | 3           | [kW]     | 1,79                  | 2,27          | 3,47          | 4,05          | 4,64          |
| COP (EN14511:2013)                         | 3           | -        | 4,02                  | 3,97          | 3,80          | 3,80          | 3,66          |
| SCOP                                       |             | -        | 3,90                  | 3,80          | 3,90          | 3,86          | 3,64          |
| Heating efficiency class                   | 2           | -        | A                     | A             | -             | -             | -             |
| <b>Compressor</b>                          |             |          |                       |               |               |               |               |
| Type of compressor                         |             | -        | Twin Rotary DC        |               |               |               |               |
| Brand                                      |             | -        | MITSUBISHI            |               |               |               |               |
| No. of compressors                         |             | Nr       | 1                     | 1             | 1             | 1             | 1             |
| Oil charge                                 |             | [l]      | 0,87                  | 0,87          | 1,50          | 1,50          | 1,65          |
| Refrigerant charge                         |             | [kg]     | 2,95                  | 2,95          | 3,30          | 3,90          | 3,90          |
| Refrigeration circuits                     |             | Nr       | 1                     | 1             | 1             | 1             | 1             |
| <b>Internal exchanger</b>                  |             |          |                       |               |               |               |               |
| Type of internal exchanger                 |             | -        | Copper aluminium coil |               |               |               |               |
| Fin type                                   |             | -        | Hydrophilic aluminium |               |               |               |               |
| Length x height                            |             | [mm]     | 880x914               | 880x914       | 1276x870      | 1276x870      | 1276x870      |
| Number of rows                             |             | Nr       | 2                     | 2             | 2             | 2             | 2             |
| Fin spacing                                |             | [mm]     | 1,6                   | 1,6           | 1,6           | 1,6           | 1,6           |
| <b>Air handling section fans (outdoor)</b> |             |          |                       |               |               |               |               |
| Type of fans                               |             | -        | Axial                 |               |               |               |               |
| Number of fans                             |             | Nr       | 1                     | 1             | 2             | 2             | 2             |
| Fan motor brand                            |             | -        | Panasonic             |               |               |               |               |
| Type of motor                              |             | -        | Brushless DC          |               |               |               |               |
| Standar airflow                            |             | [m³/h]   | 5500                  | 5500          | 6000          | 6000          | 6000          |
| <b>Sound levels</b>                        |             |          |                       |               |               |               |               |
| Sound pressure level                       | 4           | dB(A)    | 56                    | 57            | 57            | 57            | 57            |
| Sound power level                          |             | dB(A)    | 67                    | 68            | 72            | 73            | 73            |
| <b>System</b>                              |             |          |                       |               |               |               |               |
| Total capacity connectable                 |             | -        | 45%~130%              |               |               |               |               |
| Max indoor units connectable               |             | Nr       | 4                     | 5             | 6             | 6             | 7             |
| <b>Connections and pipings</b>             |             |          |                       |               |               |               |               |
| Refrigerant piping                         | Liquid side | [mm]     | Ø9,52                 |               |               |               |               |
|  | Gas side    | [mm]     | Ø15,9                 |               |               |               | Ø19,1         |
| Max equivalent piping length               |             | [m]      | 50                    | 50            | 70            | 70            | 70            |
| Max level difference                       | 5           | [m]      | 30/20                 | 30/20         | 30/20         | 30/20         | 30/20         |
| <b>Power supply</b>                        |             |          |                       |               |               |               |               |
| Power supply                               |             | [V/p/Hz] | 230/1/50              |               |               |               |               |
| <b>Dimensions</b>                          |             |          |                       |               |               |               |               |
| Net (W x H x D)                            |             | [mm]     | 1075×966×396          | 1075×966×396  | 900×1327×400  | 900×1327×400  | 900×1327×400  |
| Packing (W x H x D)                        |             | [mm]     | 1120×1100×435         | 1120×1100×435 | 1030×1456×435 | 1030×1456×435 | 1030×1456×435 |
| <b>Standard unit weights</b>               |             |          |                       |               |               |               |               |
| Net weight                                 |             | [kg]     | 75,5                  | 75,5          | 95,0          | 95,0          | 100           |
| Gross weight                               |             | [kg]     | 85,5                  | 85,5          | 106           | 106           | 111           |

### Notes:

- Data referred to the following conditions:  
 Indoor air temperature 27°C DB/19°C WB (80,6°F DB/66,2°F WB)  
 Outdoor air temperature 35°C DB/24°C WB (95°F DB / 75,2°F WB)  
 Equivalent refrigerant piping length: 7,5m  
 Level difference between outdoor and indoor units: 0m
- Energy efficiency classes in compliance with UE n. 206/2012, mandatory info for cooling capacities up to 12 kW
- Data referred to the following conditions:  
 Indoor air temperature 20°C DB / 15°C WB (68°F DB / 59°F WB)  
 Outdoor air temperature 7°C DB / 6°C WB (44,6°F DB / 42,8°F WB)  
 Equivalent refrigerant piping length: 7,5m  
 Level difference between outdoor and indoor units: 0m
- Sound level measured 1m in front of the unit and 1m above the floor
- Outdoor unit above indoor unit / Outdoor unit below indoor unit

## General technical data

| Size                                       |             |          | 120T                  | 140T  | 160T  | 180T  |
|--|-------------|----------|-----------------------|-------|-------|-------|
| <b>Cooling</b>                             |             |          |                       |       |       |       |
| Cooling capacity (EN14511:2013)            | 1           | [kW]     | 12,3                  | 14,0  | 15,5  | 17,5  |
| Total power input (EN14511:2013)           | 1           | [kW]     | 3,25                  | 3,85  | 4,39  | 5,47  |
| EER (EN14511:2013)                         | 1           | -        | 3,78                  | 3,64  | 3,53  | 3,20  |
| ESEER                                      |             | -        | 7,10                  | 6,68  | 6,42  | 6,21  |
| SEER                                       |             | -        | 5,67                  | 5,92  | 6,05  | 5,13  |
| Cooling efficiency class                   | 2           | -        | -                     | -     | -     | -     |
| <b>Heating</b>                             |             |          |                       |       |       |       |
| Heating capacity (EN14511:2013)            | 3           | [kW]     | 13,2                  | 15,4  | 17,0  | 19,0  |
| Total power input (EN14511:2013)           | 3           | [kW]     | 3,47                  | 4,05  | 4,64  | 5,00  |
| COP (EN14511:2013)                         | 3           | -        | 3,80                  | 3,80  | 3,66  | 3,80  |
| SCOP                                       |             | -        | 3,90                  | 3,86  | 3,64  | 3,74  |
| Heating efficiency class                   | 2           | -        | -                     | -     | -     | -     |
| <b>Compressor</b>                          |             |          |                       |       |       |       |
| Type of compressor                         |             | -        | Twin Rotary DC        |       |       |       |
| Brand                                      |             | -        | MITSUBISHI            |       |       |       |
| No. of compressors                         |             | Nr       | 1                     | 1     | 1     | 1     |
| Oil charge                                 |             | [l]      | 1,50                  | 1,50  | 1,65  | 1,90  |
| Refrigerant charge                         |             | [kg]     | 3,3                   | 3,9   | 3,9   | 4,5   |
| Refrigeration circuits                     |             | Nr       | 1                     | 1     | 1     | 1     |
| <b>Internal exchanger</b>                  |             |          |                       |       |       |       |
| Type of internal exchanger                 |             | -        | Copper aluminium coil |       |       |       |
| Fin type                                   |             | -        | Hydrophilic aluminium |       |       |       |
| Length x height                            |             | [mm]     | 1276x870              |       |       |       |
| Number of rows                             |             | Nr       | 2                     | 2     | 2     | 2,5*  |
| Fin spacing                                |             | [mm]     | 1,6                   | 1,6   | 1,6   | 1,6   |
| <b>Air handling section fans (outdoor)</b> |             |          |                       |       |       |       |
| Type of fans                               |             | -        | Axial                 |       |       |       |
| Number of fans                             |             | Nr       | 2                     | 2     | 2     | 2     |
| Fan motor brand                            |             | -        | Panasonic             |       |       |       |
| Type of motor                              |             | -        | Brushless DC          |       |       |       |
| Standar airflow                            |             | [m³/h]   | 6000                  | 6000  | 6000  | 6800  |
| <b>Sound levels</b>                        |             |          |                       |       |       |       |
| Sound pressure level                       | 4           | dB(A)    | 57                    | 57    | 57    | 59    |
| Sound power level                          |             | dB(A)    | 72                    | 73    | 73    | 74    |
| <b>System</b>                              |             |          |                       |       |       |       |
| Total capacity connectable                 |             | -        | 45%~ 130%             |       |       |       |
| Max indoor units connectable               |             | Nr       | 6                     | 6     | 7     | 9     |
| <b>Connections and pipings</b>             |             |          |                       |       |       |       |
| Refrigerant piping                         | Liquid side | [mm]     | Ø9,52                 |       |       |       |
|  | Gas side    | [mm]     | Ø15,9                 |       | Ø19,1 |       |
| Max equivalent piping length               |             | [m]      | 70                    | 70    | 70    | 70    |
| Max level difference                       | 5           | [m]      | 30/20                 | 30/20 | 30/20 | 30/20 |
| <b>Power supply</b>                        |             |          |                       |       |       |       |
| Power supply                               |             | [V/p/Hz] | 400/3/50+N            |       |       |       |
| <b>Dimensions</b>                          |             |          |                       |       |       |       |
| Net (W x H x D)                            |             | [mm]     | 900 x 1327 x 400      |       |       |       |
| Packing (W x H x D)                        |             | [mm]     | 1030 x 1456 x 435     |       |       |       |
| <b>Standard unit weights</b>               |             |          |                       |       |       |       |
| Net weight                                 |             | [kg]     | 95                    | 95    | 102   | 107   |
| Gross weight                               |             | [kg]     | 106                   | 106   | 113   | 118   |

### Notes:

- Data referred to the following conditions:  
 Indoor air temperature 27°C DB/19°C WB (80,6°F DB/66,2°F WB)  
 Outdoor air temperature 35°C DB/24°C WB (95°F DB / 75,2°F WB)  
 Equivalent refrigerant piping length: 7,5m  
 Level difference between outdoor and indoor units: 0m
  - Energy efficiency classes in compliance with UE n. 206/2012, mandatory info for cooling capacities up to 12 kW
  - Data referred to the following conditions:  
 Indoor air temperature 20°C DB / 15°C WB (68°F DB / 59°F WB)  
 Outdoor air temperature 7°C DB / 6°C WB (44,6°F DB / 42,8°F WB)  
 Equivalent refrigerant piping length: 7,5m  
 Level difference between outdoor and indoor units: 0m
  - Sound level measured 1m in front of the unit and 1m above the floor
  - Outdoor unit above indoor unit / Outdoor unit below indoor unit
- (\*) Two standard rows and one with half dimensions

## General technical data

| Size                                       |             |          | 200T                  | 224T  | 260T  | 400T                           | 450T                           |
|--|-------------|----------|-----------------------|-------|-------|--------------------------------|--------------------------------|
| <b>Cooling</b>                             |             |          |                       |       |       |                                |                                |
| Cooling capacity (EN14511:2013)            | 1           | [kW]     | 20,0                  | 22,4  | 26,0  | 40,0                           | 45,0                           |
| Total power input (EN14511:2013)           | 1           | [kW]     | 6,35                  | 6,81  | 8,13  | 15,09                          | 13,55                          |
| EER (EN14511:2013)                         | 1           | -        | 3,15                  | 3,29  | 3,20  | 2,65                           | 3,32                           |
| ESEER                                      |             | -        | 6,19                  | 6,21  | 6,42  | 6,26                           | 6,20                           |
| SEER                                       |             | -        | 5,58                  | 6,07  | 5,43  | 5,08                           | 5,03                           |
| Cooling efficiency class                   | 2           | -        | -                     | -     | -     | -                              | -                              |
| <b>Heating</b>                             |             |          |                       |       |       |                                |                                |
| Heating capacity (EN14511:2013)            | 3           | [kW]     | 22,0                  | 24,5  | 28,5  | 40,0                           | 45,0                           |
| Total power input (EN14511:2013)           | 3           | [kW]     | 6,20                  | 5,90  | 7,22  | 10,00                          | 11,11                          |
| COP (EN14511:2013)                         | 3           | -        | 3,55                  | 4,15  | 3,95  | 4,00                           | 4,05                           |
| SCOP                                       |             | -        | 3,64                  | 3,74  | 3,76  | 3,51                           | 3,45                           |
| Heating efficiency class                   | 2           | -        | -                     | -     | -     | -                              | -                              |
| <b>Compressor</b>                          |             |          |                       |       |       |                                |                                |
| Type of compressor                         |             | -        | Twin Rotary DC        |       |       |                                |                                |
| Brand                                      |             | -        | MITSUBISHI            |       |       |                                |                                |
| No. of compressors                         |             | Nr       | 1                     | 1     | 1     | 2                              | 2                              |
| Oil charge                                 |             | [l]      | 2,7                   | 3,2   | 3,2   | 5,3                            | 7,0                            |
| Refrigerant charge                         |             | [kg]     | 4,8                   | 6,2   | 6,2   | 9,0                            | 12,0                           |
| Refrigeration circuits                     |             | Nr       | 1                     | 1     | 1     | 1                              | 1                              |
| <b>Internal exchanger</b>                  |             |          |                       |       |       |                                |                                |
| Type of internal exchanger                 |             | -        | Copper aluminium coil |       |       |                                |                                |
| Fin type                                   |             | -        | Hydrophilic aluminium |       |       |                                |                                |
| Length x height                            |             | [mm]     | 1080X756              |       |       | 2x(1290x792+1260x792)*         | 2x(1360x792+1390x792+930x792)* |
| Number of rows                             |             | Nr       | 1,6                   | 2,2   | 2,0   | 2,0                            | 2,7                            |
| Fin spacing                                |             | [mm]     | 1,5                   | 1,5   | 1,5   | 1,6                            | 1,6                            |
| <b>Air handling section fans (outdoor)</b> |             |          |                       |       |       |                                |                                |
| Type of fans                               |             | -        | Axial                 |       |       |                                |                                |
| Number of fans                             |             | Nr       | 2                     | 2     | 2     | 2                              | 2                              |
| Fan motor brand                            |             | -        | Panasonic             |       |       |                                |                                |
| Type of motor                              |             | -        | Brushless DC          |       |       | Brushless DC + three speeds AC |                                |
| Standar airflow                            |             | [m³/h]   | 10999                 | 10494 | 10494 | 16575                          | 16575                          |
| <b>Sound levels</b>                        |             |          |                       |       |       |                                |                                |
| Sound pressure level                       | 4           | dB(A)    | 59                    | 59    | 60    | 62                             | 62                             |
| Sound power level                          |             | dB(A)    | 76                    | 76    | 77    | 82                             | 83                             |
| <b>System</b>                              |             |          |                       |       |       |                                |                                |
| Total capacity connectable                 |             | -        | 50%~130%              |       |       |                                |                                |
| Max indoor units connectable               |             | Nr       | 10                    | 11    | 12    | 14                             | 15                             |
| <b>Connections and pipings</b>             |             |          |                       |       |       |                                |                                |
| Refrigerant piping                         | Liquid side | [mm]     | Ø9,52                 |       |       | Ø12,7                          |                                |
|  | Gas side    | [mm]     | Ø19,1                 |       | Ø22,2 |                                | Ø25,4                          |
| Max equivalent piping length               |             | [m]      | 70                    | 70    | 70    | 120                            | 120                            |
| Max level difference                       | 5           | [m]      | 30/20                 |       |       |                                |                                |
| <b>Power supply</b>                        |             |          |                       |       |       |                                |                                |
| Power supply                               |             | [V/p/Hz] | 400/3/50+N            |       |       |                                |                                |
| <b>Dimensions</b>                          |             |          |                       |       |       |                                |                                |
| Net (W x H x D)                            |             | [mm]     | 1120×1558×528         |       |       | 1360×1650×540                  | 1460×1650×540                  |
| Packing (W x H x D)                        |             | [mm]     | 1270×1720×565         |       |       | 1450×1785×560                  | 1550×1785×560                  |
| <b>Standard unit weights</b>               |             |          |                       |       |       |                                |                                |
| Net weight                                 |             | [kg]     | 137                   | 146,5 | 147   | 240                            | 275                            |
| Gross weight                               |             | [kg]     | 153                   | 162,5 | 163   | 260                            | 290                            |

### Notes:

#### 1. Data referred to the following conditions:

Indoor air temperature 27°C DB/19°C WB (80,6°F DB/66,2°F WB)

Outdoor air temperature 35°C DB/24°C WB (95°F DB / 75,2°F WB)

Equivalent refrigerant piping length: 7,5m

Level difference between outdoor and indoor units: 0m

#### 2. Energy efficiency classes in compliance with UE n. 206/2012, mandatory info for cooling capacities up to 12 kW

#### 3. Data referred to the following conditions:

Indoor air temperature 20°C DB / 15°C WB (68°F DB / 59°F WB)

Outdoor air temperature 7°C DB / 6°C WB (44,6°F DB / 42,8°F WB)

Equivalent refrigerant piping length: 7,5m

Level difference between outdoor and indoor units: 0m

#### 4. Sound level measured 1m in front of the unit and 1m above the floor

#### 5. Outdoor unit above indoor unit / Outdoor unit below indoor unit

(\*) For this size the coil is splitted in two different sections, one above and one below. Each row has different dimensions.

## Electrical data

| Size | Outdoor Unit |             |          |          | Power Supply |          |         | Compressor |         | OFM       |           |
|------|--------------|-------------|----------|----------|--------------|----------|---------|------------|---------|-----------|-----------|
|      | Hz           | Voltage [V] | Min. [V] | Max. [V] | MCA [A]      | TOCA [A] | MFA [A] | MSC [A]    | RLA [A] | kW        | FLA [A]   |
| 80M  | 50           | 220-240     | 198      | 264      | 26,25        | 24       | 32      | /          | 9,7     | 0,17      | 1,7       |
| 105M | 50           | 220-240     | 198      | 264      | 27,50        | 24       | 32      | /          | 9,7     | 0,17      | 1,7       |
| 120M | 50           | 220-240     | 198      | 264      | 31,25        | 30       | 32      | /          | 13,5    | 2×0,1     | 2×0,9     |
| 140M | 50           | 220-240     | 198      | 264      | 36,25        | 30       | 40      | /          | 13,5    | 2×0,1     | 2×0,9     |
| 160M | 50           | 220-240     | 198      | 264      | 36,25        | 30       | 40      | /          | 16,1    | 2×0,1     | 2×0,9     |
| 120T | 50           | 380-415     | 342      | 456      | 15,00        | 15       | 25      | /          | 9,3     | 2×0,1     | 2×0,9     |
| 140T | 50           | 380-415     | 342      | 456      | 16,25        | 15       | 25      | /          | 9,3     | 2×0,1     | 2×0,9     |
| 160T | 50           | 380-415     | 342      | 456      | 17,50        | 15       | 25      | /          | 12      | 2×0,1     | 2×0,9     |
| 180T | 50           | 380-415     | 342      | 456      | 18,75        | 16       | 25      | /          | 12      | 2×0,1     | 2×0,9     |
| 200T | 50           | 380-415     | 342      | 456      | 18,75        | 18       | 25      | /          | 12      | 2×0,17    | 2,1+1,7   |
| 224T | 50           | 380-415     | 342      | 456      | 25,00        | 23       | 25      | /          | 15,4    | 2×0,17    | 2,1+1,7   |
| 260T | 50           | 380-415     | 342      | 456      | 26,25        | 23       | 32      | /          | 15,4    | 2×0,17    | 2,1+1,7   |
| 400T | 50           | 380-415     | 342      | 456      | 42,50        | 39,84    | 60      | /          | 12×2    | 0,56+0,32 | 2,65+3,84 |
| 450T | 50           | 380-415     | 342      | 456      | 52,50        | 49,84    | 60      | /          | 15,4×2  | 0,56+0,32 | 2,65+3,84 |

**MCA** = Min. Circuit Amps. [A]  
**TOCA** = Total Over-current Amps. [A]  
**MFA** = Max. Fuse Amps. [A]  
**MSC** = Max. Starting Amps. [A]  
**RLA** = Rated Locked Amps. [A]  
**OFM** = Outdoor Fan Motor.  
**kW** = Rated Motor Output [KW]  
**FLA** = Full Load Amps. [A]

**Note:**  
 RLA is based on the following conditions, Indoor temp. 27°C DB/19°C WB, Outdoor temp. 35°C DB / 24°C WB  
 MSC means the Max. current during the starting of compressor.  
 Voltage range: Units are suitable for use on electrical systems where voltage supplied to unit terminals is not below or above listed range limits.  
 Maximum allowable voltage variation between phases is 2%.  
 Selection wire size based on the value of MCA.  
 MFA is used to select the circuit breaker and the ground fault circuit interrupter (earth circuit breaker).

## Operating range

### Cooling

| Size                    |       | 80M     | 105M    | 120M/120T | 140M/140T | 160M/160T | 180T    | 200T    | 224T    | 260T    | 400T    | 450T    |
|-------------------------|-------|---------|---------|-----------|-----------|-----------|---------|---------|---------|---------|---------|---------|
| Min outdoor temperature | °C DB | -15     | -15     | -15       | -15       | -15       | -15     | -15     | -15     | -15     | -5      | -5      |
| Max outdoor temperature | °C DB | 43      | 43      | 43        | 43        | 43        | 43      | 46      | 46      | 46      | 48      | 48      |
| Min indoor temperature  | °C WB | 15      | 15      | 15        | 15        | 15        | 15      | 15      | 15      | 15      | 15      | 15      |
| Max indoor temperature  | °CWB  | 24 (29) | 24 (29) | 24 (29)   | 24 (29)   | 24 (29)   | 24 (29) | 24 (29) | 24 (29) | 24 (29) | 24 (29) | 24 (29) |

### Heating

| Size                    |       | 80M    | 105M   | 120M/120T | 140M/140T | 160M/160T | 180T   | 200T   | 224T   | 260T   | 400T   | 450T   |
|-------------------------|-------|--------|--------|-----------|-----------|-----------|--------|--------|--------|--------|--------|--------|
| Min outdoor temperature | °C WB | -15    | -15    | -15       | -15       | -15       | -15    | -15    | -15    | -15    | -15    | -15    |
| Max outdoor temperature | °C WB | 27     | 27     | 27        | 27        | 27        | 27     | 24     | 24     | 24     | 24     | 24     |
| Min indoor temperature  | °C DB | 15 (5) | 15 (5) | 15 (5)    | 15 (5)    | 15 (5)    | 15 (5) | 15 (5) | 15 (5) | 15 (5) | 15 (5) | 15 (5) |
| Max indoor temperature  | °C DB | 28     | 28     | 28        | 28        | 28        | 28     | 28     | 28     | 28     | 28     | 28     |

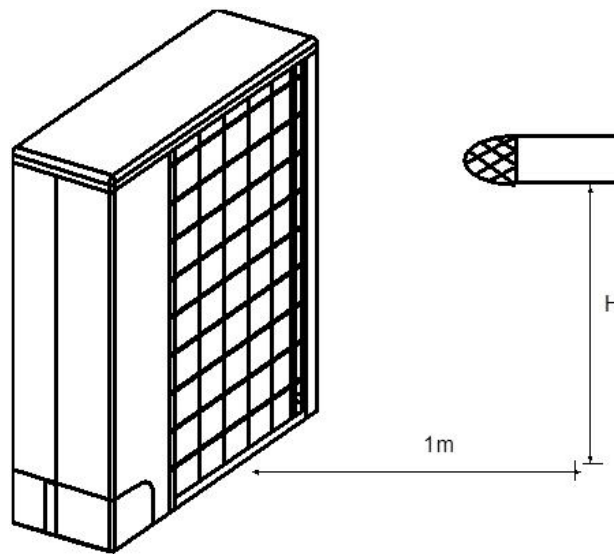
**Notes:**  
 DB: Dry bulb ; WB: Wet bulb  
 Values in brackets represent the range with intermittent operations (for defrosting or compressor oil return cycles)  
 Operating conditions: Equivalent piping length = 7,5 m ; Level difference = 0 m  
 The indoor Relative Humidity should always be lower than 80%. If the air conditioner works in an environment with Relative Humidity higher, the surface may condensate. In this case, it's recommended to set the air speed of the indoor unit to "high".

**ATTENTION: IN CASE OF PREDOMINANT WINDS, WINDBREAK BARRIERS ARE NECESSARY.**  
 In case of below zero outdoor air temperature with a long period of heat pump operating mode, it is necessary to help the evacuation of the water produced during the defrost cycle; this to avoid the formation of ice in the unit basement. Pay attention that this will not create inconveniences to things or persons.



# Sound levels

## Test conditions



**Notes:**

Sound levels refer to full load units, in test nominal conditions. During actual operation, these values are normally somewhat higher as a result of ambient conditions.

Sound level can be increased in static pressure mode or used air guide.

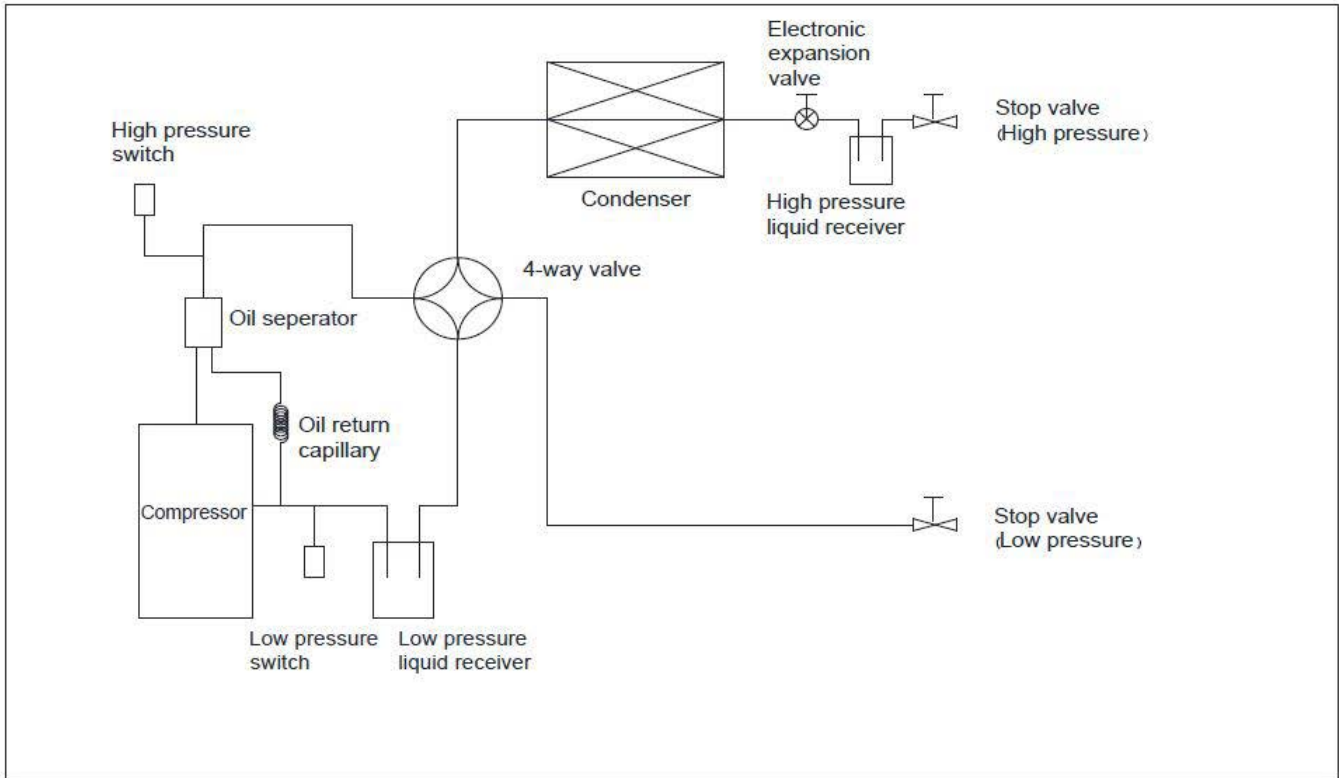
Semi-anechoic chamber conversion value, measured at a point 1 m in front of the unit at a height of \*m (1m for 80M/105M sizes, 1,2m for 120M/120T~160M/160T sizes and 1,3m for 200T/450T sizes).

## Test values

| Size        | Sound Pressure Level (dB) |      |      |      |      |      |      |      | Sound Pressure Level | Sound Power Level |
|-------------|---------------------------|------|------|------|------|------|------|------|----------------------|-------------------|
|             | Octave Band (Hz)          |      |      |      |      |      |      |      |                      |                   |
|             | 63                        | 125  | 250  | 500  | 1000 | 2000 | 4000 | 8000 | [dB(A)]              | [dB(A)]           |
| <b>80M</b>  | 58,7                      | 54,6 | 54,0 | 53,9 | 50,9 | 44,9 | 41,5 | 35,7 | <b>56,0</b>          | <b>67,0</b>       |
| <b>105M</b> | 60,5                      | 55,6 | 54,2 | 54,5 | 52,0 | 45,8 | 43,5 | 40,6 | <b>57,0</b>          | <b>68,0</b>       |
| <b>120M</b> | 61,9                      | 56,2 | 55,7 | 56,8 | 52,2 | 46,1 | 40,8 | 36,3 | <b>57,0</b>          | <b>72,0</b>       |
| <b>140M</b> | 58,5                      | 58,6 | 57,2 | 53,6 | 52,4 | 44,1 | 38,9 | 37,8 | <b>57,0</b>          | <b>73,0</b>       |
| <b>160M</b> | 57,9                      | 59,2 | 56,5 | 54,6 | 52,4 | 45,1 | 41,1 | 38,5 | <b>57,0</b>          | <b>73,0</b>       |
| <b>120T</b> | 61,9                      | 56,2 | 55,7 | 56,8 | 52,2 | 46,1 | 40,8 | 36,3 | <b>57,0</b>          | <b>72,0</b>       |
| <b>140T</b> | 58,5                      | 58,6 | 57,2 | 53,6 | 52,4 | 44,1 | 38,9 | 37,8 | <b>57,0</b>          | <b>73,0</b>       |
| <b>160T</b> | 57,9                      | 59,2 | 56,5 | 54,6 | 52,4 | 45,1 | 41,1 | 38,5 | <b>57,0</b>          | <b>73,0</b>       |
| <b>180T</b> | 60,1                      | 60,2 | 59,2 | 57,1 | 55,2 | 44,5 | 41,3 | 39,5 | <b>59,0</b>          | <b>74,0</b>       |
| <b>200T</b> | 61,2                      | 59,8 | 60,1 | 57,1 | 54,2 | 45,3 | 41,6 | 41,2 | <b>59,0</b>          | <b>76,0</b>       |
| <b>224T</b> | 61,2                      | 59,8 | 60,1 | 57,1 | 54,2 | 45,3 | 41,6 | 41,2 | <b>59,0</b>          | <b>76,0</b>       |
| <b>260T</b> | 67,3                      | 63,8 | 60,6 | 59,5 | 55,3 | 51,0 | 45,1 | 41,1 | <b>60,0</b>          | <b>77,0</b>       |
| <b>400T</b> | 67,7                      | 64,3 | 60,9 | 59,7 | 58,0 | 54,1 | 49,4 | 44,7 | <b>62,0</b>          | <b>82,0</b>       |
| <b>450T</b> | 67,7                      | 64,3 | 60,9 | 59,7 | 58,0 | 54,1 | 49,4 | 44,7 | <b>62,0</b>          | <b>83,0</b>       |

# Piping Diagrams

Sizes 80M-160M / 120T-180T



## Key components:

**Oil separator:** separates the oil from the refrigerant gas with high temperature and pressure leaving the compressor. Speeds up the return of the oil to each compressor.

**Low-pressure liquid receiver and high-pressure liquid receiver:** stores refrigerant liquid and oil, used to protect the compressor against water hammer.

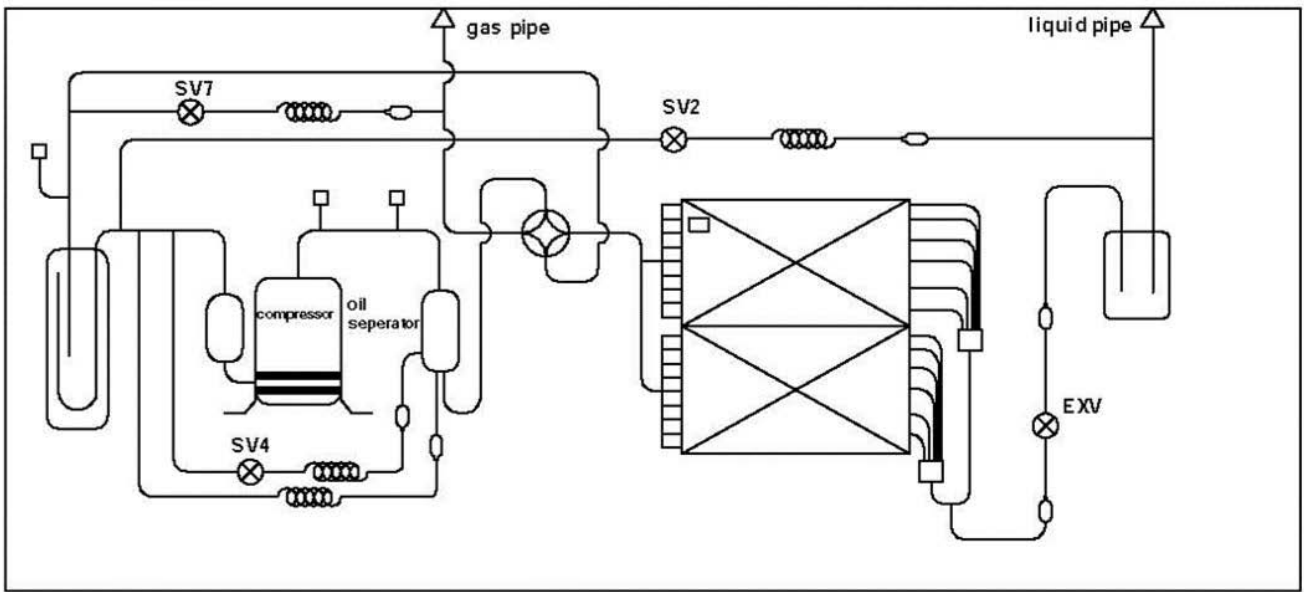
**Four-way valve:** used to change the direction of circulation of the refrigerant fluid, closed during cooling and open during heating.

**Electronic expansion valve (EXV):** used to regulate the refrigerant flow.

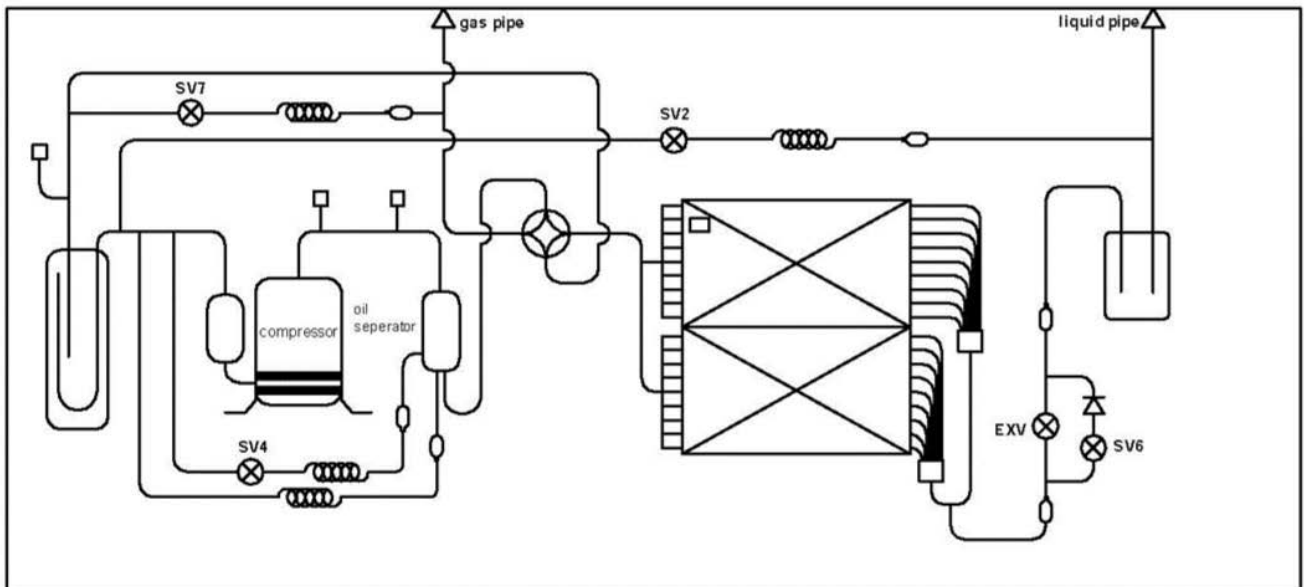
**High pressure switch:** activates when the compressor discharge pressure is equal to or higher than 4.2 MPa. Nominal operation resumes when the pressure drops down to 3.3 MPa.

**Low pressure switch:** activates when the pressure of the gas returning to the compressor is equal to or lower than 0.14 MPa. Nominal operation resumes when the pressure increases up to 0.3 MPa.

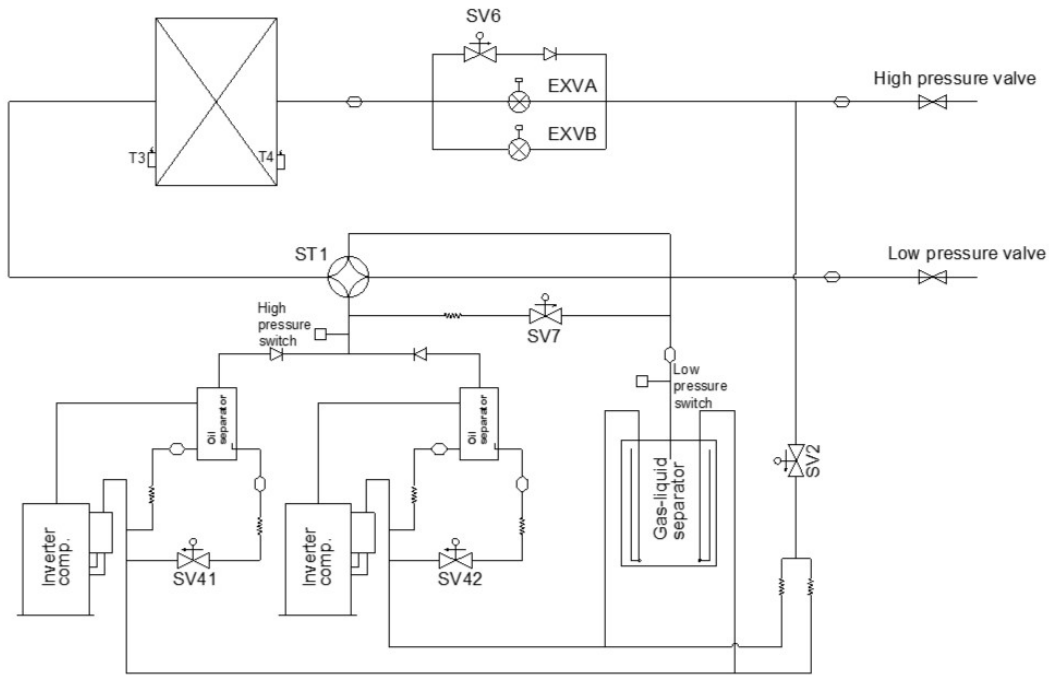
Size 200T



Size 224T-260T



## Size 400T-450



### Key components:

**Oil separator:** separates the oil from the refrigerant gas with high temperature and pressure leaving the compressor. Speeds up the return of the oil to each compressor. Separation efficiency can reach 99%, speeds up the return of oil to each compressor.

**Gas-liquid separator:** stores refrigerant liquid and oil, used to protect the compressor against water hammer.

**4-way valve (ST1):** used to change the flow direction of the refrigerant fluid, closed during cooling and open during heating.

**EXV (electromagnetic packed valve):** used to regulate the refrigerant flow.

**SV2: protects the compressor.** When the discharge temperature of any compressor exceeds 100°C, SV2 opens to inject a small amount of refrigerant liquid to cool the compressor. It closes again when the discharge temperature drops down to below 90°C.

**SV4:** helps the oil contained in the oil separator to return to the compressor, maintains the oil balanced between the compressors. When the unit starts up, SV4 opens for 120 seconds; it will re-open after 5 minutes of operation of the DC inverter compressor and close again after 15 minutes of operation. Subsequently, SV4 will open for 3 minutes after the DC inverter compressor has operated nominally for 20 minutes.

**SV5:** used to expand the refrigerant volume and accelerate defrosting. During defrosting, SV5 opens to interrupt circulation of refrigerant so as to reduce the circulation time. During cooling, SV5 is always closed.

**SV6:** used to by-pass the refrigerant, is closed during the heating and stand-by modes and open in the forced cooling and oil return modes. During the cooling mode it will be closed or open depending on the discharge pressure.

**SV7:** used to balance the system's pressure before activating the unit, it improves the system's reliability in the low-temperature heating mode.

**High-pressure sensor:** supervises the compressor's discharge pressure and monitors the speed of the DC fan.

**T3:** heat exchanger temperature sensor.

**T4:** Room temperature sensor

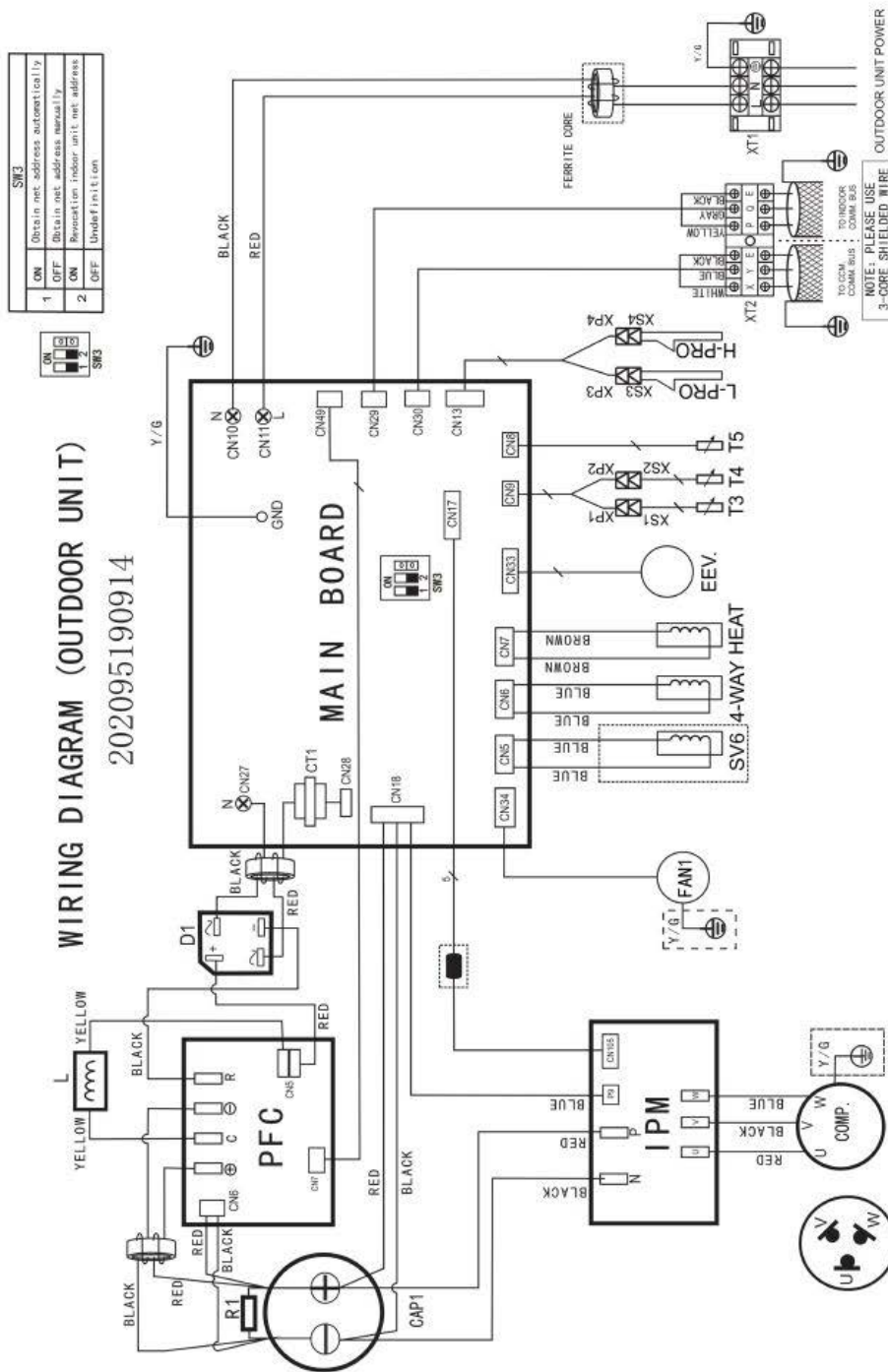
# Wiring Diagrams

Size 80M-160M

| CODE  | PART NAME                          |
|-------|------------------------------------|
| COMP. | COMPRESSOR                         |
| CAPT. | CAPACITANCE                        |
| CT1   | AC CURRENT DETECTOR                |
| EEV.  | ELECTRIC EXPANSIVE VALVE           |
| FAN1  | OUTDOOR FAN MOTOR                  |
| HEAT  | GRANULASE HEATING                  |
| H-PRO | HIGH PRESSURE SWITCH               |
| L-PRO | LOW PRESSURE SWITCH                |
| L     | PFC INDUCTANCE                     |
| D1    | RECTIFIER                          |
| R1    | RESISTANCE                         |
| 4-WAY | 4-WAY VALVE                        |
| T3    | CONDENSER TEMPERATURE SENSOR       |
| T4    | OUTDOOR AMBIENT TEMPERATURE SENSOR |
| T5    | COMP. DISCHARGE TEMPERATURE SENSOR |
| XT1   | 3-WAY TERMINAL                     |
| XT2   | 6-WAY TERMINAL                     |

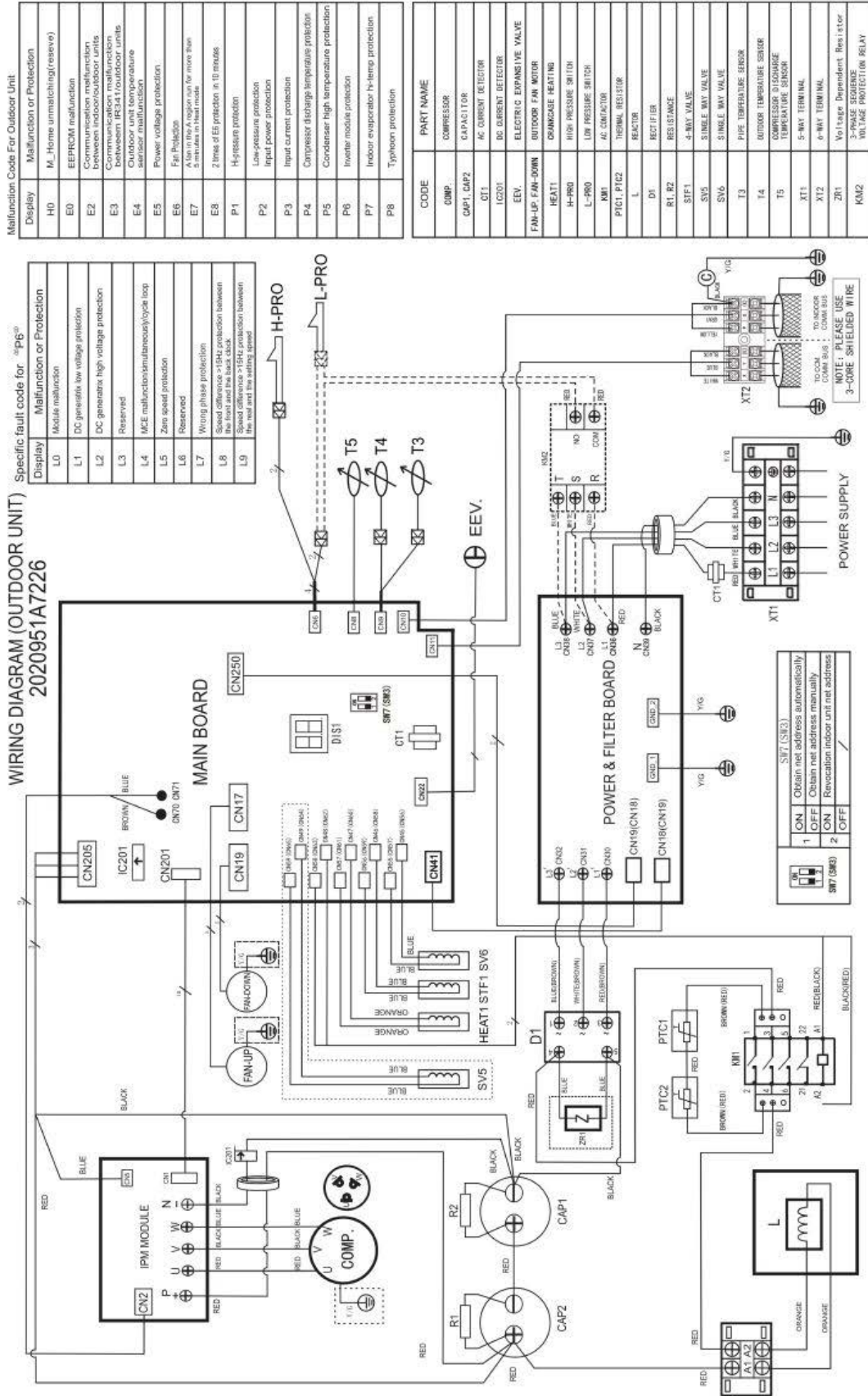
| Display | Main function or Protection  |
|---------|--|
| E2      | Communication fault between the outdoor and indoor units.  |
| E4      | T3&T4 temperature sensor malfunction   |
| E5      | Voltage protection   |
| E6      | Do Fan motor malfunction   |
| E7      | Discharge temperature sensor fault   |
| E9      | EEPROM malfunction   |
| EA      | Temperature sensor run for more than 5 minutes in heat mode  |
| Ea      | 2 times of EA protection in 10 times   |
| H0      | Communication fault between the indoor and outdoor units for the indoor and outdoor units address mismatch |
| HF      | High pressure protection   |
| P1      | High pressure protection   |
| P2      | Low pressure protection  |
| P3      | Outdoor input current protection   |
| P4      | Compressor discharge temperature protection  |
| P5      | Condenser high temperature protection  |
| P6      | Inverter module protection   |
| P8      | Typsoon protection   |
| PE      | Evaporator high temperature protection   |
| L0      | Compressor module protection   |
| L1      | DC bus low voltage protection  |
| L2      | DC bus high voltage protection   |
| L4      | MFE error/synchronization/closed-loop  |
| L5      | Zero-speed protection  |
| L7      | Phase sequence error   |
| L8      | Frequency changed over 15Hz one time   |
| L9      | Setting & actual Frequency over 15Hz   |





# Wiring Diagrams

Size 120T-180T



**Misfunction Code For Outdoor Unit**

| Display | Misfunction or Protection  |
|---------|--|
| H0      | M.L. Home (mismatching/receive)                                  |
| E0      | EEPROM malfunction   |
| E2      | Communication malfunction between indoor/outdoor units           |
| E3      | Communication malfunction between IR341/indoor units             |
| E4      | Outdoor unit temperature sensor malfunction                      |
| E5      | Power voltage protection   |
| E6      | Fan Protection   |
| E7      | A fan in the fan region run for more than 3 seconds without stop |
| E8      | 2 times of E1 protection in 10 minutes                           |
| P1      | Hy-System protection   |
| P2      | Low-pressure protection  |
| P3      | Input power protection   |
| P4      | Compressor discharge temperature protection                      |
| P5      | Condenser high temperature protection                            |
| P6      | Inverter module protection                                       |
| P7      | Indoor evaporator hi-temp protection                             |
| P8      | Typhoon protection   |

**Specific fault code for "pg"**

| Display | Misfunction or Protection  |
|---------|--|
| L0      | Main malfunction   |
| L1      | DC generate low voltage protection                                     |
| L2      | DC generate high voltage protection                                    |
| L3      | Reserved   |
| L4      | MCE malfunction/simultaneous/cycle loop                                |
| L5      | Zero speed protection  |
| L6      | Reserved   |
| L7      | Wiring phase protection  |
| L8      | Speed difference >15Hz protection between the front and the back check |
| L9      | Speed difference >15Hz protection between the rear and the front speed |

| CODE             | PART NAME                               |
|------------------|---|
| COMP             | COMPRESSOR                              |
| CAP1, CAP2       | CAPACITOR                               |
| GT1              | AC CURRENT DETECTOR                     |
| IC201            | DC CURRENT DETECTOR                     |
| EEV              | ELECTRIC EXPANSIVE VALVE                |
| FAN-UP, FAN-DOWN | OUTDOOR FAN MOTOR                       |
| HEAT1            | OUTDOOR HEATING                         |
| H-PRO            | HIGH PRESSURE SWITCH                    |
| L-PRO            | LOW PRESSURE SWITCH                     |
| NT               | AC CONDUCTOR                            |
| PTC1, PTC2       | THERMAL RESISTOR                        |
| L                | REACTOR                                 |
| D1               | RECTIFIER                               |
| RT, R2           | RESISTANCE                              |
| S1F1             | 4-WAY VALVE                             |
| SV5              | SINGLE WAY VALVE                        |
| SV6              | SINGLE WAY VALVE                        |
| T3               | PIPE TEMPERATURE SENSOR                 |
| T4               | OUTDOOR TEMPERATURE SENSOR              |
| T5               | COMPRESSOR DISCHARGE TEMPERATURE SENSOR |
| XT1              | 5-WAY TERMINAL                          |
| XT2              | 6-WAY TERMINAL                          |
| ZNT1             | Voltage Dependent Resistor              |
| KM2              | 3-PHASE SEQUENCE PROTECTION RELAY       |

**SW7 (SW3)**

ON | Obtain net address automatically  
 OFF | Obtain net address manually  
 ON | Reversion indoor unit net address

SW7 (SW3) 2 OFF

**NOTE: PLEASE USE 3-CORE SHIELDED WIRE**

TO HEAT: COMB BUS  
 TO COOL: COMB BUS





# Refrigerating connections

## Maximum length and level difference of the refrigerating connections

The equivalent length is the sum of the effective length of the piping plus a length that is equivalent to the distributed and concentrated pressure drop. In order to calculate it, refer to tables or data declared by the supplier of the piping.

| Size                             |  | 80M - 105M | 120M/T - 260T | 400T - 450T |     |
|----------------------------------|--|------------|---------------|-------------|-----|
| Maximum equivalent piping length |  | [m]        | 50            | 70          | 120 |
| Maximum level difference         |  | [m]        | 30            | 30          | 30  |
|                                  |  | [m]        | 20            | 20          | 20  |

NOTE: When the total equivalent length of the liquid+gas piping is more than 90 m, it is necessary to increase the refrigerant gas pipe size.

## Concentrated pressure drop table

| Piping diameter [mm]         | Standard 90° bend | Wide radius 90° bend | 90° elbow m/f | 45° bend | 45° elbow m/f | 180° bend | Fitting direction inversion | Direct flow  |               |               |
|------------------------------|-------------------|----------------------|---------------|----------|---------------|-----------|-----------------------------|--------------|---------------|---------------|
|                              |                   |                      |               |          |               |           |                             | No reduction | Reduction 1/4 | Reduction 1/2 |
|                              |                   |                      |               |          |               |           |                             |              |               |               |
| <b>Equivalent length [m]</b> |                   |                      |               |          |               |           |                             |              |               |               |
| 10                           | 0,38              | 0,26                 | 0,66          | 0,20     | 0,30          | 0,67      | 0,77                        | 0,26         | 0,33          | 0,38          |
| 12                           | 0,40              | 0,30                 | 0,70          | 0,20     | 0,30          | 0,70      | 0,80                        | 0,30         | 0,40          | 0,40          |
| 14                           | 0,46              | 0,29                 | 0,73          | 0,22     | 0,36          | 0,73      | 0,87                        | 0,29         | 0,39          | 0,46          |
| 16                           | 0,48              | 0,30                 | 0,76          | 0,24     | 0,40          | 0,76      | 0,91                        | 0,30         | 0,43          | 0,48          |
| 18                           | 0,50              | 0,30                 | 0,80          | 0,20     | 0,40          | 0,80      | 0,90                        | 0,30         | 0,40          | 0,50          |
| 22                           | 0,60              | 0,40                 | 1,00          | 0,30     | 0,50          | 1,00      | 1,20                        | 0,40         | 0,60          | 0,60          |
| 28                           | 0,80              | 0,50                 | 1,20          | 0,40     | 0,60          | 1,20      | 1,50                        | 0,50         | 0,70          | 0,80          |

## Refrigerant charge to be added during installation

| Liquid side piping diameter [mm] | Size  | Refrigerant to be added [kg/m] |       |             |
|----------------------------------|-------|--------------------------------|-------|-------------|
|                                  |       | 80M - 224T                     | 260T  | 400T - 450T |
|                                  | Ø6,4  | 0,022                          | 0,022 | 0,022       |
|                                  | Ø9,5  | 0,054                          | 0,054 | 0,054       |
|                                  | Ø12,7 | 0,110                          | 0,110 | 0,110       |
|                                  | Ø15,9 | 0,170                          | 0,170 | 0,170       |
|                                  | Ø19,1 | 0,260                          | 0,260 | -           |
|                                  | Ø22,2 | 0,360                          | 0,360 | -           |

Note: The factory refrigerant pre-charge is referred only to the single outdoor unit. A refrigerant integration charge must be provided in proportion to the length of the pipes.



- The liquid and gas lines should be thermally insulated to prevent heat exchanges that could compromise the proper refrigerating operation.
- The supply line must be properly insulated in case of possible contact with persons in order to avoid accidental burns.
- The lack of vibration isolation on the piping could cause breakages and refrigerant leakage.
- The unit is shipped with a pre-charge of the factory refrigerant, the addition of refrigerant according to the table has to be made during the installation phase, at the start-up and it is provided by the Customer.
- The sizing of the connection refrigerating lines is of primary importance for proper operating and reliability of the system.



## Standard accessories

| Accessory                              | Picture | Quantity |
|--|---------|----------|
| Installation and Owner's manual        |         | 1        |
| Water outlet connection pipe           |         | 1        |
| Sealing ring                           |         | 1        |
| Connection pipe (only for 260T - 450T) |         | 1        |
| Connection pipe (only for 260T - 450T) |         | 1        |

## Optional accessories

| Picture (gas side joint) | Picture (liquid side joint) | Code      |
|--------------------------|-----------------------------|-----------|
|                          |                             | FQZHN-01D |
|                          |                             | FQZHN-02D |
|                          |                             | FQZHN-03D |

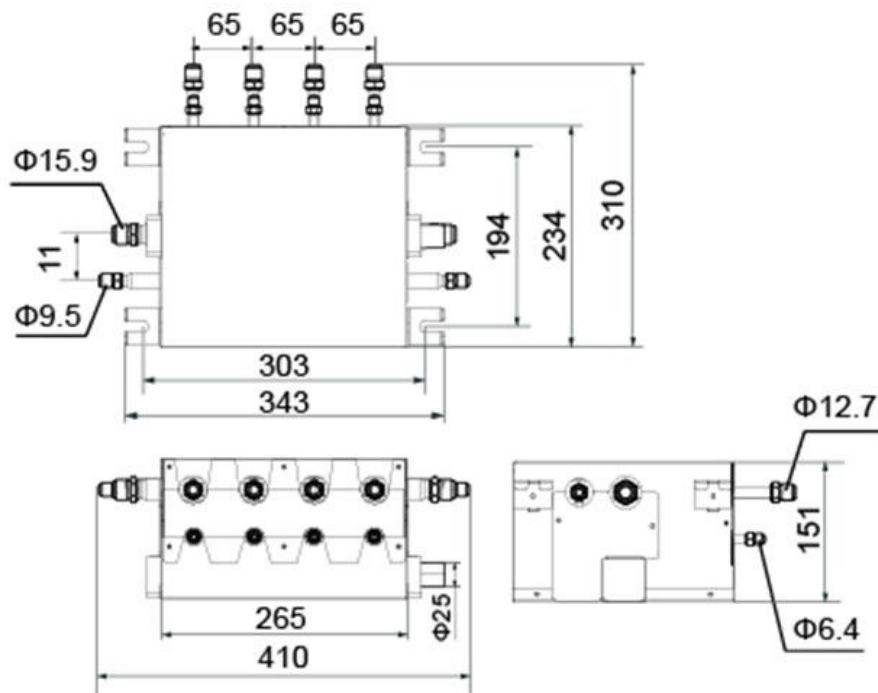
## Accessories separately supplied

### FQT4-01 - Branch Box

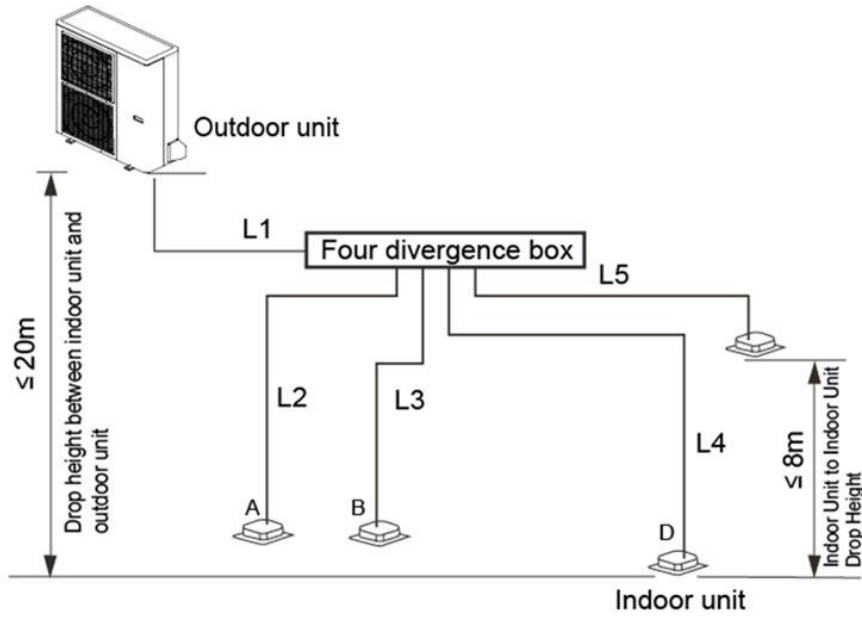
The Branch Box allows to connect up to 4 indoor units to the main piping

Main features:

- Safer and quicker installation: the coupling between Branch Box and outdoor unit is not welded but fixed with a flare connection, simplifying piping work. Indoor units are also easy to connect thanks to the two different adaptor kits provided as a standard, which let available connections of  $\varnothing 12,7\text{mm}/\varnothing 6,35\text{mm}$  (gas/liquid side) or  $\varnothing 15,9\text{mm}/\varnothing 9,53\text{mm}$  (gas/liquid side).
- Easy maintenance: the check for refrigerant leakage can be easily done thanks to the centralized distribution of refrigerant and the standard maintenance is as simple as for a PCB.
- Silent operations: thanks to the linear expansion design the refrigerant flow will be more well distributed. Installing the Branch Box in the false-ceiling or outside, the indoor sound level can be reduced.



|                | Dimensions [mm] |     |     | Weight [kg] |
|----------------|-----------------|-----|-----|-------------|
|                | W               | H   | D   |             |
| <b>Net</b>     | 410             | 151 | 310 | 3,8         |
| <b>Packing</b> | 525             | 240 | 385 | 5,0         |



|                  |   | Permitted value    | Piping                  |      |
|------------------|---|--------------------|-------------------------|------|
| Pipe Length      | Total Pipe Length (Actual)                        | ≤100m              | L1+L2+L3+L4+L5          |      |
|                  | Maximum Piping (L)                                | ≤45m               | L1+L2,L1+L3,L1+L4,L1+L5 |      |
|                  | Pipe Length (from Branch Box to indoor unit pipe) | ≤20m               | L2,L3,L4,L5             |      |
| Level difference | Level difference between IDU~ODU                  | Outdoor Unit above | ≤20m                    | ---- |
|                  |   | Outdoor Unit below | ≤20m                    | ---- |
|                  | Level difference between IDU~IDU                  | ≤8m                | ----                    |      |

- Notes:
- indoor unit must have cooling capacity lower than 7,1kW in order to be connected to Branch Box
  - the Branch Box should be connected only between indoor and outdoor unit. Do not connect two different boxes in series
  - unconnected inlet connections must be sealed up

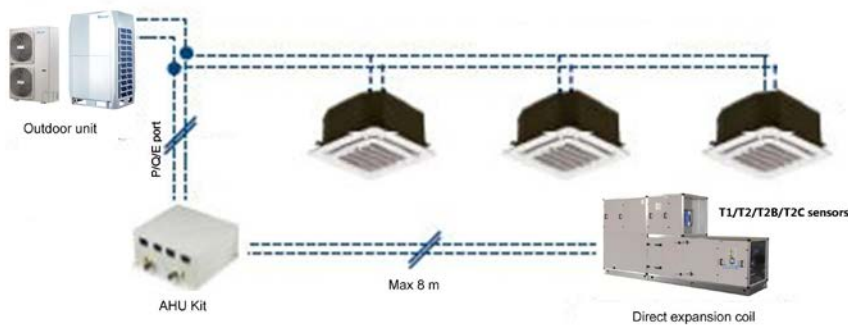
### CE-AHUKZ - AHU kit

The AHU kit let the connection of the outdoor unit to an external direct expansion coil, like an Air Handling Unit, with capacity from 9kW to 56kW.

Maximum 4 kits combination is allowed with Master-Slave configuration, in order to reach capacities up to 224kW in a single refrigerant circuit.



Note: designed for horizontal/vertical indoor installation. If AHU kit is installed outdoor, it must be protected from rain and wind.





Notes:

- Only one indoor unit can be controlled even when more AHU kits are connected in parallel
- Only for R-410A refrigerant systems
- Allowed communication between direct expansion Mini VRF or VRF outdoor units and AHU or VRF indoor units by any brand with AC fan motors. DC fan motors indoor units can be connected if the fan's PCB board allows a 3-speed input.
- If Fresh Air processing units are connected, please respect the capacity range shown in the table "**Indoor/Outdoor permitted Combination Ratio**" in indoor units Lineup.
- Connections with Heat Recovery Systems are not allowed

## Basic Specifications

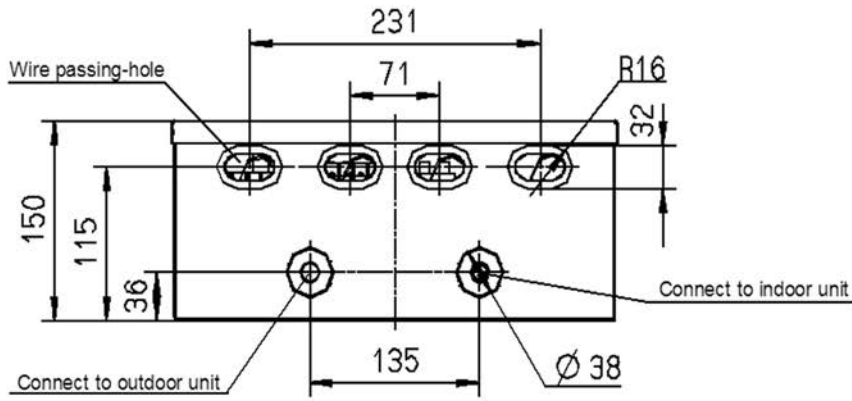
| Model                |      | CE-AHUKZ-01B                   | CE-AHUKZ-02B | CE-AHUKZ-03B |
|----------------------|------|--------------------------------|--------------|--------------|
| Power supply         |      | 220-240V~ 50Hz; 208-230V~ 60Hz |              |              |
| Indoor unit capacity | [kW] | 9~20                           | 20~36        | 36~56        |
| Piping size (in/out) | [mm] | Ø8/Ø8                          | Ø12,7/Ø12,7  | Ø16/Ø16      |
| Net dimensions       | [mm] | 375×350×150                    |              |              |
| Packing dimensions   | [mm] | 490×240×420                    |              |              |
| Net weight           | [kg] | 8,4                            | 8,7          | 8,9          |
| Gross weight         | [kg] | 11,4                           | 11,7         | 11,9         |

## Match table

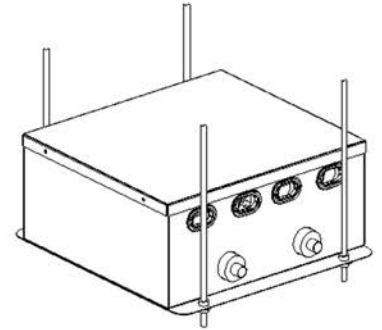
| Model        | Indoor unit capacity range [kW] | Min/Max volume of the direct expansion coil [dm <sup>3</sup> ] | Reference air volume [m <sup>3</sup> /h] |
|--------------|---------------------------------|--|--|
| CE-AHUKZ-01B | 9~11,2                          | 1,7~2,1  | 1400                                     |
|              | 11,2~14                         | 2,1~2,6  | 1700                                     |
|              | 14~18                           | 2,6~3,3  | 2100                                     |
|              | 18~20                           | 3,3~3,7  | 2700                                     |
| CE-AHUKZ-02B | 20~25                           | 3,7~4,6  | 3000                                     |
|              | 25~30                           | 4,6~5,5  | 3700                                     |
|              | 30~36                           | 5,5~6,6  | 4500                                     |
| CE-AHUKZ-03B | 36~40                           | 6,6~7,4  | 5400                                     |
|              | 40~45                           | 7,4~8,3  | 6000                                     |
|              | 45~50                           | 8,3~9,2  | 6700                                     |
|              | 50~56                           | 9,2~10,3   | 7500                                     |

## Main features:

- Wide operating range: allowable return air temperatures from -5°C to 30°C in Heating mode and from 17°C to 43°C in Cooling mode
- The built-in electronic expansion valve is controlled by the superheat realized in the coil, effectively meeting the real cooling and heating requests
- Precise control: four temperature sensors are included as a standard in the kit. With the temperatures of the return air and of the direct expansion coil, they control the start up, the shut down and the capacity requirements of the outdoor unit
- LED display communication: possible to check the room temperature in the AHU kit LED display panel. In case of abnormally work, it can also display the malfunction and protection codes, helping the service and maintenance
- KJR-29-B (standard provided) or RM12A (optional accessory) controllers are available to control the AHU kit communicating with the display panel

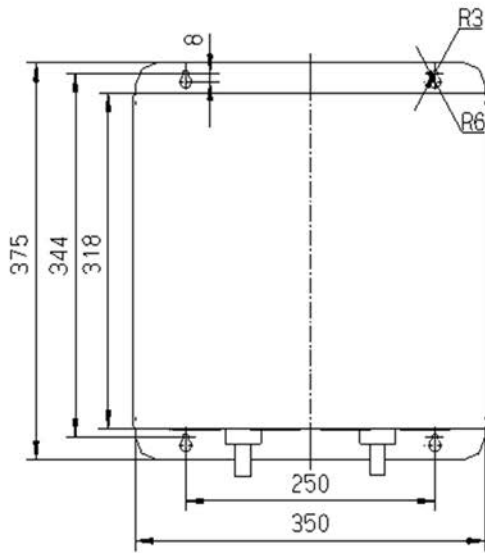


×



Wrong installation way

✓



Installation method : Hanging



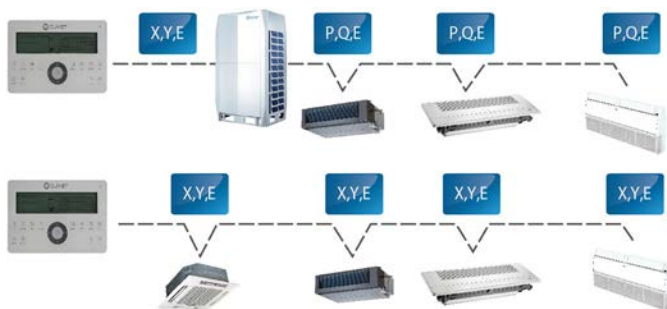
Install vertically

# Centralized controllers

The centralized controllers are multifunctional devices that can control up to 64 indoor units within a maximum connection length of 1.200m.

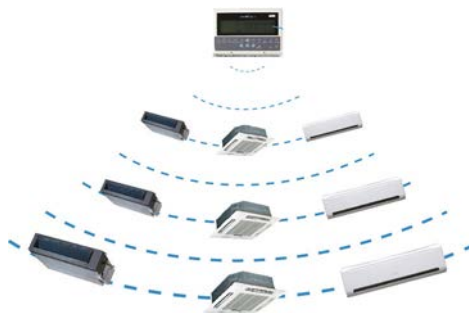
## Wiring flexibility

There are two different connections mode: to the indoor units or, alternatively, directly to the master outdoor unit in order to simplify and centralize wiring configurations. In this last case, ensure that the outdoor unit is set to auto addressing mode.



## Single/unified control mode

Controllers can be toggled between unified and single control modes, to enable either unified control of all units or control of a specific unit. Operating mode feedback is used to ensure that all units are operating in the mode specified by the user.



## Multi-system control

Units can be from different systems, with up to 64 indoor units: this greatly reduces system limitations. Ensure that the address is not repeated.



## Indoor units operating status display

Error and protection codes are shown directly on centralized controllers' displays, avoiding the need to access outdoor units' PCBs to obtain codes during a system event. A wide range of error and protection codes provide system status information to building management professionals before contacting a service engineer.

Error code or protection code

Connection status matrix

| <p>Current <span style="font-size: 2em;">88</span># ALL Protect Set. temp <span style="font-size: 2em;">88</span>°C<br/>Online ON OFF Error</p> <p>T2A T2B T3 Period Room. temp<br/><span style="font-size: 2em;">88:80</span> ON OFF <span style="font-size: 2em;">88:80</span></p> <p>Week Sun Mon Tue Wed Thu Fri Sat<br/><span style="font-size: 2em;">88</span> Year <span style="font-size: 2em;">18</span> Mon <span style="font-size: 2em;">28</span> Day <span style="font-size: 2em;">28:88</span></p> | <p>Mode Auto</p> <p>❄️ ☀️</p> <p>🌀 🌀</p> <p>🌀 Fan</p> | <table border="1" style="width: 100%; border-collapse: collapse; text-align: center;"> <thead> <tr> <th colspan="2"></th> <th colspan="15">Query Set Opr. unsuccess</th> </tr> <tr> <th></th> <th></th> <th>00</th><th>01</th><th>02</th><th>03</th><th>04</th><th>05</th><th>06</th><th>07</th><th>08</th><th>09</th><th>10</th><th>11</th><th>12</th><th>13</th><th>14</th><th>15</th> </tr> </thead> <tbody> <tr> <td></td><td>16</td><td>17</td><td>18</td><td>19</td><td>20</td><td>21</td><td>22</td><td>23</td><td>24</td><td>25</td><td>26</td><td>27</td><td>28</td><td>29</td><td>30</td><td>31</td><td></td> </tr> <tr> <td></td><td>32</td><td>33</td><td>34</td><td>35</td><td>36</td><td>37</td><td>38</td><td>39</td><td>40</td><td>41</td><td>42</td><td>43</td><td>44</td><td>45</td><td>46</td><td>47</td><td></td> </tr> <tr> <td></td><td>48</td><td>49</td><td>50</td><td>51</td><td>52</td><td>53</td><td>54</td><td>55</td><td>56</td><td>57</td><td>58</td><td>59</td><td>60</td><td>61</td><td>62</td><td>63</td><td></td> </tr> </tbody> </table> <p>Weekly Timer Off 🌊 🌬️ 🌀 🌟 📺 📺 📺 📺</p> |    |    | Query Set Opr. unsuccess |    |    |    |    |    |    |    |    |    |    |    |    |  |  |  |  | 00 | 01 | 02 | 03 | 04 | 05 | 06 | 07 | 08 | 09 | 10 | 11 | 12 | 13 | 14 | 15 |  | 16 | 17 | 18 | 19 | 20 | 21 | 22 | 23 | 24 | 25 | 26 | 27 | 28 | 29 | 30 | 31 |  |  | 32 | 33 | 34 | 35 | 36 | 37 | 38 | 39 | 40 | 41 | 42 | 43 | 44 | 45 | 46 | 47 |  |  | 48 | 49 | 50 | 51 | 52 | 53 | 54 | 55 | 56 | 57 | 58 | 59 | 60 | 61 | 62 | 63 |  |
|--|---|--|----|----|--------------------------|----|----|----|----|----|----|----|----|----|----|----|----|--|--|--|--|----|----|----|----|----|----|----|----|----|----|----|----|----|----|----|----|--|----|----|----|----|----|----|----|----|----|----|----|----|----|----|----|----|--|--|----|----|----|----|----|----|----|----|----|----|----|----|----|----|----|----|--|--|----|----|----|----|----|----|----|----|----|----|----|----|----|----|----|----|--|
|  |   | Query Set Opr. unsuccess   |    |    |                          |    |    |    |    |    |    |    |    |    |    |    |    |  |  |  |  |    |    |    |    |    |    |    |    |    |    |    |    |    |    |    |    |  |    |    |    |    |    |    |    |    |    |    |    |    |    |    |    |    |  |  |    |    |    |    |    |    |    |    |    |    |    |    |    |    |    |    |  |  |    |    |    |    |    |    |    |    |    |    |    |    |    |    |    |    |  |
|  |   | 00   | 01 | 02 | 03                       | 04 | 05 | 06 | 07 | 08 | 09 | 10 | 11 | 12 | 13 | 14 | 15 |  |  |  |  |    |    |    |    |    |    |    |    |    |    |    |    |    |    |    |    |  |    |    |    |    |    |    |    |    |    |    |    |    |    |    |    |    |  |  |    |    |    |    |    |    |    |    |    |    |    |    |    |    |    |    |  |  |    |    |    |    |    |    |    |    |    |    |    |    |    |    |    |    |  |
|  | 16  | 17   | 18 | 19 | 20                       | 21 | 22 | 23 | 24 | 25 | 26 | 27 | 28 | 29 | 30 | 31 |    |  |  |  |  |    |    |    |    |    |    |    |    |    |    |    |    |    |    |    |    |  |    |    |    |    |    |    |    |    |    |    |    |    |    |    |    |    |  |  |    |    |    |    |    |    |    |    |    |    |    |    |    |    |    |    |  |  |    |    |    |    |    |    |    |    |    |    |    |    |    |    |    |    |  |
|  | 32  | 33   | 34 | 35 | 36                       | 37 | 38 | 39 | 40 | 41 | 42 | 43 | 44 | 45 | 46 | 47 |    |  |  |  |  |    |    |    |    |    |    |    |    |    |    |    |    |    |    |    |    |  |    |    |    |    |    |    |    |    |    |    |    |    |    |    |    |    |  |  |    |    |    |    |    |    |    |    |    |    |    |    |    |    |    |    |  |  |    |    |    |    |    |    |    |    |    |    |    |    |    |    |    |    |  |
|  | 48  | 49   | 50 | 51 | 52                       | 53 | 54 | 55 | 56 | 57 | 58 | 59 | 60 | 61 | 62 | 63 |    |  |  |  |  |    |    |    |    |    |    |    |    |    |    |    |    |    |    |    |    |  |    |    |    |    |    |    |    |    |    |    |    |    |    |    |    |    |  |  |    |    |    |    |    |    |    |    |    |    |    |    |    |    |    |    |  |  |    |    |    |    |    |    |    |    |    |    |    |    |    |    |    |    |  |

## Multiple lock modes

In addition to locking the centralized controller's own keyboard, the centralized controller may also be used to lock each unit's operating mode or remote controller.



## CCM30 - Touch-key indoor units' centralized controller

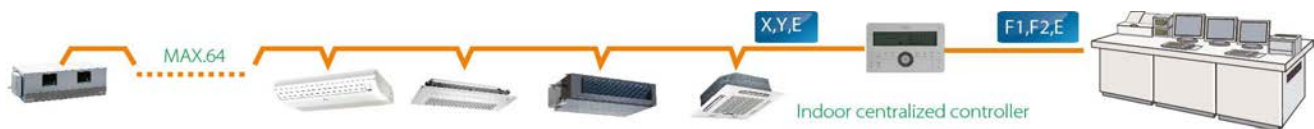


### Main features:

- Setting On/Off
- Setting mode Cool/Heat/Auto/Dry/Fan
- Setting temperature
- Fan speed selection High/Medium/Low/Auto
- Air swing function
- 24h On/Off timer
- Silent mode operation
- Locking the controller buttons
- Air filter cleaning reminder
- Turn On/Off the LCD backlight

### Network compatible

The centralized controller can connect up to 64 indoor units on the network monitoring and building management systems.



### Clean filter reminder

The CCM30 records the total running time of each indoor unit. When the accumulated running time reaches the value pre-set by the user, the system reminds the user to clean the indoor unit's filter, ensuring that the airflow does not become obstructed.

| Model                   | CCM30              |
|-------------------------|--------------------|
| Dimensions (W×H×D) [mm] | 180×122×78         |
| Power supply            | 198-242V (50/60Hz) |

## CCM09 - Indoor units' centralized controller with weekly schedule timer



### Main features:

- Setting On/Off
- Setting mode Cool/Heat/Auto/Dry/Fan
- Setting temperature
- Fan speed selection High/Medium/Low/Auto
- Air swing function
- 24h On/Off timer
- Silent mode operation
- Locking the controller buttons
- Turn On/Off the LCD backlight
- Weekly schedule control

### Weekly schedule control

The CCM09's weekly schedule timer function allows the users to set up to four scheduled periods per day, each with its own operating mode and temperature settings, for up to 64 indoor units. The schedule can be applied to either a single indoor unit or all the indoor units.

|     |      | 8:00 | 16:00 | 23:59 |
|-----|------|------|-------|-------|
| Sun | 28°C | 22°C | 24°C  |       |
| Mon | 26°C | 22°C | 17°C  | 23°C  |
| Tue | 26°C | 22°C | 17°C  | 23°C  |
| Wed | 26°C | 22°C | 17°C  | 23°C  |
| Thu | 26°C | 22°C | 26°C  |       |
| Fri | 26°C | 22°C | 26°C  |       |
| Sat | 28°C | off  | 24°C  |       |

|                         |                    |
|-------------------------|--------------------|
| <b>Model</b>            | <b>CCM09</b>       |
| Dimensions (W×H×D) [mm] | 179×119×74         |
| Power supply            | 198-242V (50/60Hz) |

## CCM15 - Data converter



The Data converter allows to remotely manage up to 64 indoor units from a PC, tablet or smartphone through internet. Thanks to the Cloud Server Access it is possible to query and control single unit or groups.

The user can check and set the following functions:

- On/Off mode
- temperature setting
- operating mode
- fan speed selection
- individual or group control
- show the status of each indoor unit and the list of error codes
- weekly timer setting
- lock the operating parameters and the remote controllers

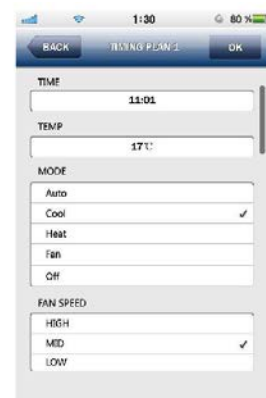
### Simple control

- Software, app or cloud server control via WEB with a user-friendly "Click&Operate" interface
- Single or group control
- Full-screen display with temperature adjustment by swiping
- Data conversion between the protocols TCP/IP and RS485
- TCP/IP port for accessing WEB/HTTP/TCP/IP



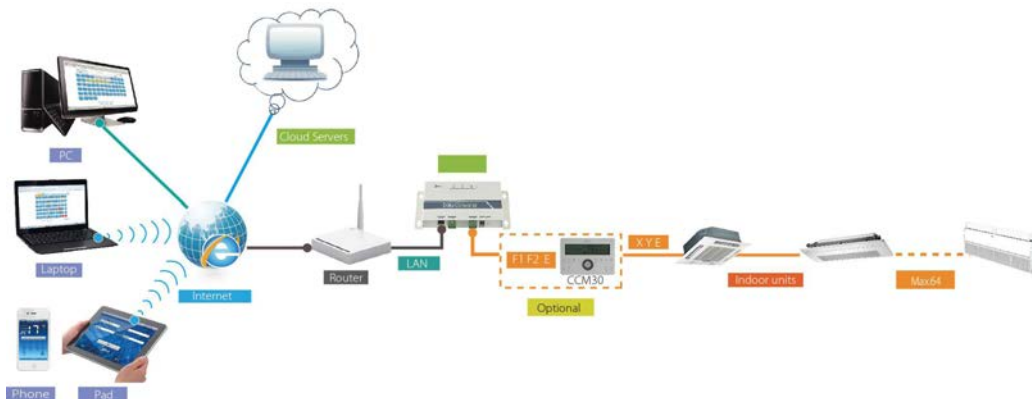
### Weekly schedule control

Users can set a weekly schedule either for single or groups of units: each day may be divided into multiple sections. The controller automatically controls each units' On/Off status, operating mode and temperature settings according to the schedule.



### Installation schematic

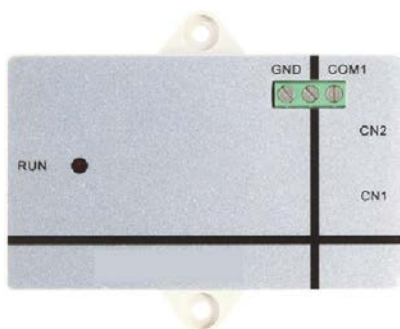
The Data converter can be connected directly to a network of Indoor/Outdoor units or optionally via Centralized Controller CCM30.



| Model                   | CCM15           |
|-------------------------|-----------------|
| Dimensions (W×H×D) [mm] | 319x251x61      |
| Power supply            | AC 220V~50/60Hz |

## Special accessories

### NIM05 / NIM05B - Hotel card key interface module



**NIM05**



**NIM05B**

Specially designed for hotel guest rooms: it cooperates with the indoor unit controller to manage the room's air conditioning.

### Auto-restart function

When the key card is inserted, the unit activates and the guest may use the controller to adjust the air conditioning settings. When the key card is removed, the interface module records the unit's settings and then, when the card is re-inserted, the unit is restarted with the previously recorded settings.

### Installation schematic



The NIM05 works in conjunction with a high voltage relay



The NIM05B can be connected directly to the hotel card slot system (AC 220V) without the need for a high voltage relay.

| Model                   | NIM05                           | NIM05B    |
|-------------------------|---------------------------------|-----------|
| Dimensions (W×H×D) [mm] | 15,5×86×72,8                    | 87×150×70 |
| Power supply            | DC 5V (Supplied by indoor unit) | AC 220V   |

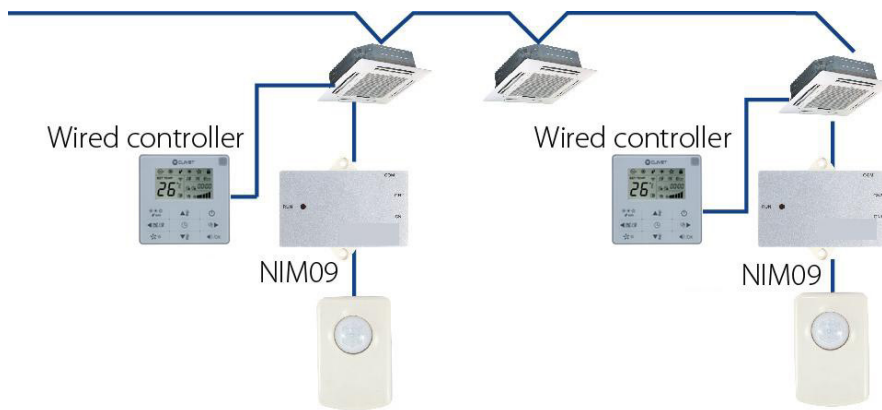


## NIM09 - Infrared sensor controller



Suitable for hotels, offices, conference rooms and residences, the infrared sensor controller ensures climate control avoiding frequent ON/OFF actions and minimizing energy consumption. Using infrared sensors to detect movement, the infrared sensor controller automatically turns indoor units on or off upon sensing that the room is occupied or not.

### Installation schematic



| Model                   | NIM09   |
|-------------------------|---|
| Dimensions (W×H×D) [mm] | Sensor 46×30×25,6 - Control box: 86×72,8×15,5 |
| Power supply            | DC 5V (Supplied by indoor unit)               |

## DTS634/DTS634-F - Digital power meter



The digital power meter can be fitted to outdoor units (on a one meter per unit basis) to measure the power consumption.

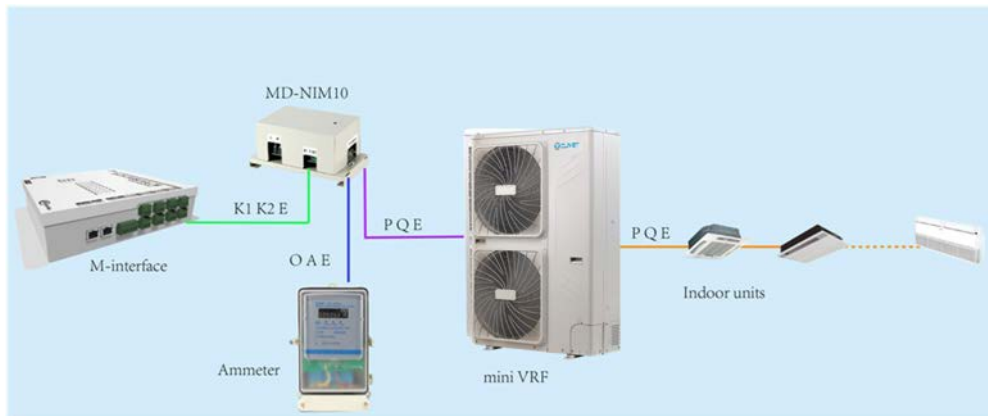
| Model                   | DTS634/DTS634-F    |
|-------------------------|--------------------|
| Dimensions (W×H×D) [mm] | 230×145×72         |
| Power supply            | 200V-500V(50/60Hz) |

## NIM10 - Network electricity distribution module

NIM10 is designed specifically for Mini VRF. It provides the OAE ports and Mini VRF can be connected to the IMM network control system to realize network electricity distribution.

Wiring connections:

- OAE ports: connected to OAE port of ammeter.
- PQE ports: connected to PQE port of outdoor unit.
- Each port of M-interface gateway only can be connected with one NIM10 through K1 K2 E ports.
- Can set the network address through S1 dial on the main board of NIM10.



## Network control system



**IMMSoftware**



**IMMController**

The network control system is specially designed to control and monitor all main operating parameters of VRF systems. Using up to 4 IMMController, it can manage up to 64 refrigerant systems, 1.024 indoor units and 256 outdoor units with only one PC.

The Network control system is composed by:

- IMMController: up to 4 connectable per system, each one can interface to 256 indoor units and 64 outdoor units
- IMMSoftware: allows the remote control of the system from PC, tablet, smartphone and similar. Compatible with Building Management Systems (BMS)
- Communication networks and router interface (supplied by the customer)

### Key feature

- Central building monitoring and control with the user-friendly interface: limits can be set to any parameter of indoor unit, such as temperature set-point, fan speed, operating mode and much more
- Annual schedule management automatically performs On/Off control, switches the operating mode, sets temperatures and enabling/disabling the remote control according to the present time schedule
- Double data backup: automatic back-up the power data for 1 or 2 months if a system failure occurs in the IMMController and storage of the running data on the IMMSoftware database
- 9 language available: English, French, Italian, German, Spanish, Polish, Russian, simplified Chinese and Korean
- Clean filter reminder
- Emergency stop function and alarm signal output
- Fault display and operations history

### Tailored control interface

Import floor plans into IMMSoftware and use the drag and drop interface to position the indoor unit. Users can create a tailored system schematic which enables monitoring and control of each unit's status and parameters through a clear visual representation of the system layout.

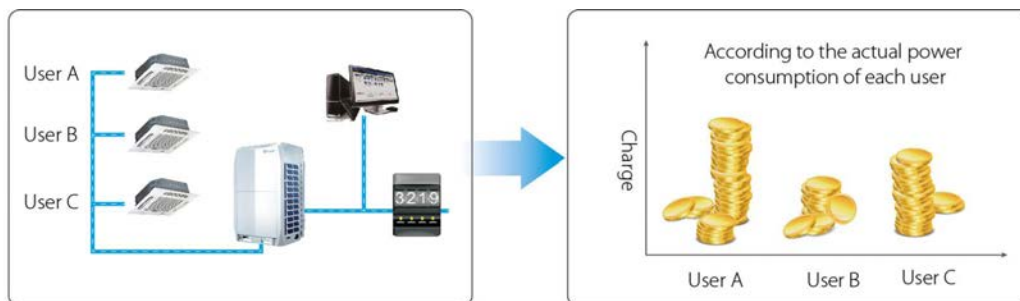


## Electricity charge distribution and energy management

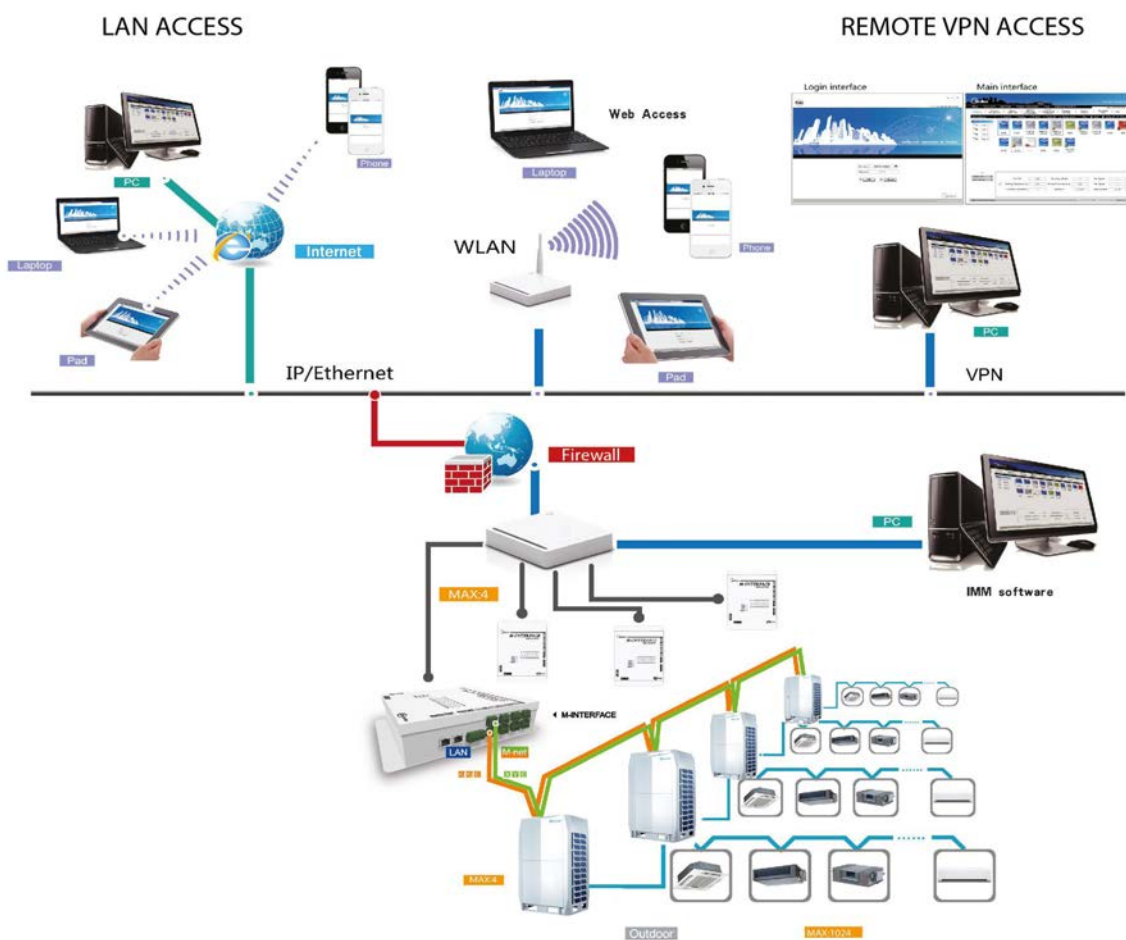
Possible to estimate the energy consumption of single or group of indoor units: tenants in a commercial building, offices in a rental building or rooms in a hotel will know what they really consume.

The calculation method takes account of temperature setting, room temperature, return air temperature, operating mode, running time, refrigerant flow, indoor unit power rating and nighttime use to estimate the energy consumption.

Unit-by-unit electrical energy consumption data also greatly facilitates the optimization of energy consumption management.



## Installation schematic



- Compatible with Windows XP 32bit, Windows 7 32/64bit and Windows 8
- Management via PC, Smartphone or tablet with Browser access, via VPN with remote access
- Full support for access via Internet Explorer, Firefox, Safari and Chrome

## Connection to BMS systems

Monitoring and control can be integrated into Building Management Systems (BMS), enabling air conditioning to be monitored alongside lightning, power, fire detection, access and security systems. Full compatibility with the four main BMS protocols via gateway devices: BACnet, Modbus, LonWorks and KNX.

### CCM08 - BACnet protocol



Each gateway can be connected either to an indoor unit's XYE ports (up to 256 units) or an outdoor unit's XYE or K1K2E ports (up to 128 units), with built-in IP access.

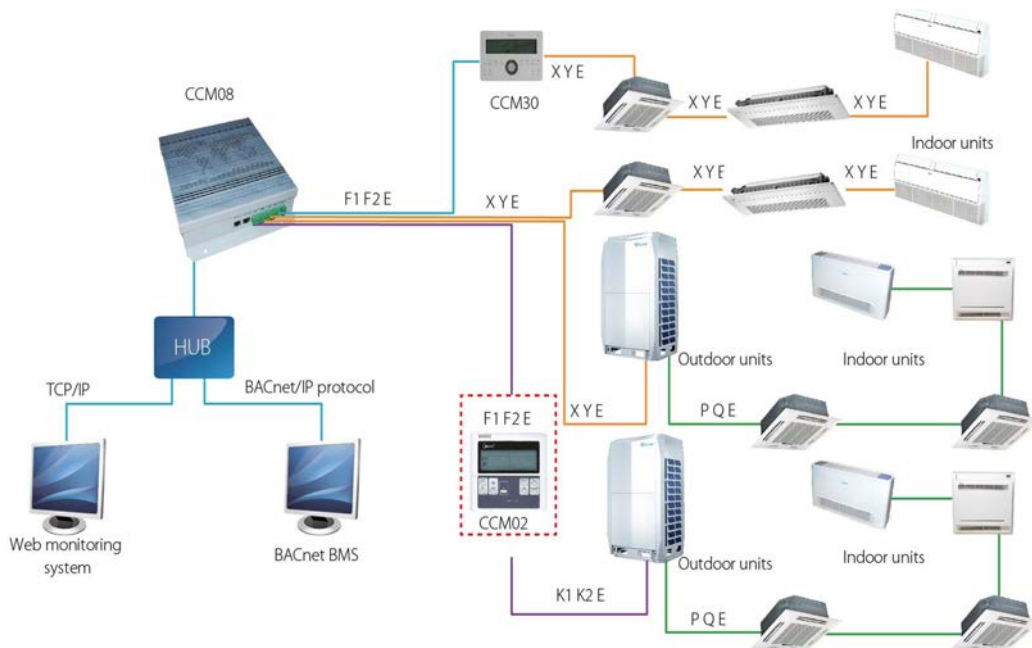
It is also compatible with connections of up to four CCM30 centralized controller or CCM02 centralized outdoor unit monitor through F1F2E ports.

### Wide compatibility

The CCM08 is fully compatible with a wide range of leading Building Management Systems.

|   | Company            | BMS software  | Brand |
|---|--------------------|---------------|-------|
| 1 | Apogee Electronics | APOGEE        |       |
| 2 | Trane              | Tracer Summit |       |
| 3 | Honeywell          | Alerton       |       |
| 4 | Schneider          | Andover       |       |
| 5 | Johnson            | METASYS       |       |

### Installation schematic



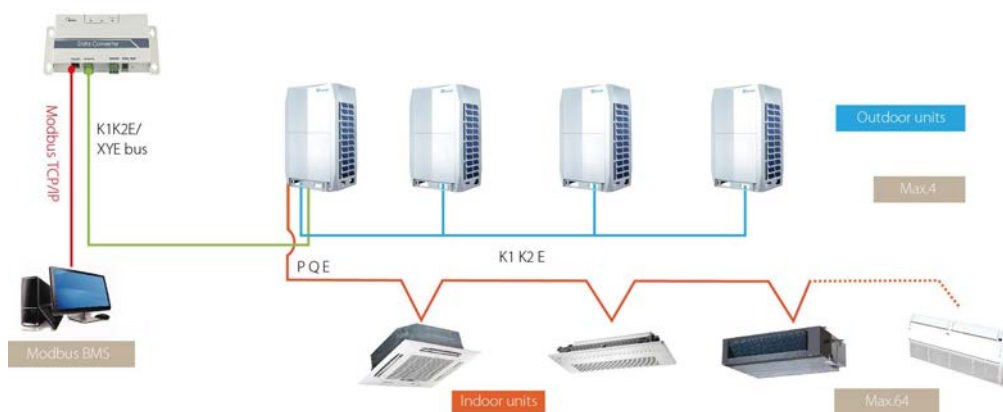
| Model                   | CCM08           |
|-------------------------|-----------------|
| Dimensions (W×H×D) [mm] | 319×251×61      |
| Power supply            | AC 220V~50/60Hz |

## CCM18A/CCM18ANU - Modbus protocol



Each gateway can connect up to 16 indoor units (CCM18ANU) or up to 64 indoor units and up to 4 outdoor units of the same system (CCM18A) with BMS through either TCP/IP or RTU. Built-in IP access.

## Installation schematic



| Model                   | CCM18A/CCM18ANU |
|-------------------------|-----------------|
| Dimensions (W×H×D) [mm] | 319×251×61      |
| Power supply            | AC 220V~50/60Hz |

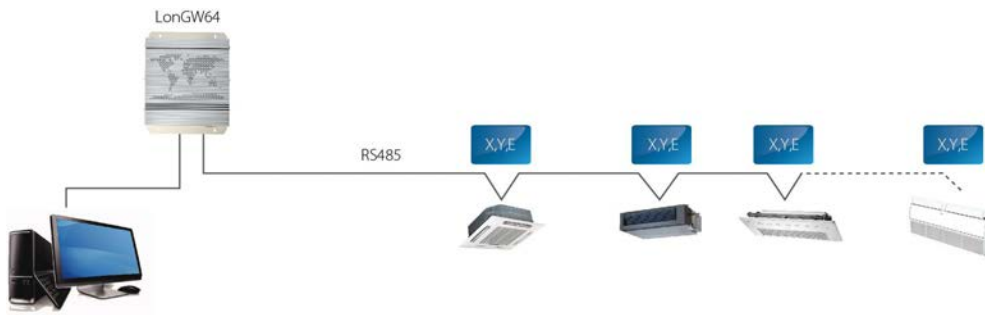


## LonGW64 - LowWorks protocol



Each gateway can connect up to 64 indoor units, directly to their XYE ports or through outdoor unit

### Installation schematic



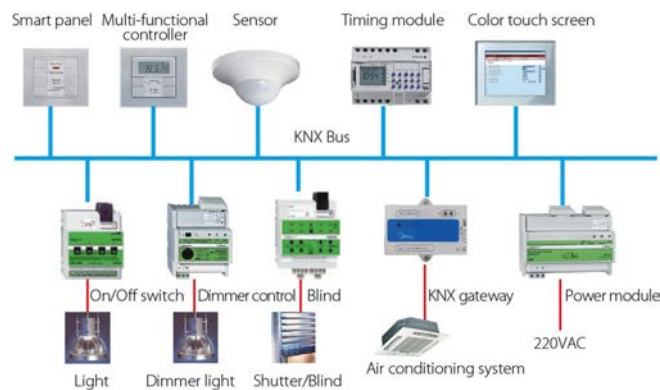
| Model                   | LonGW64         |
|-------------------------|-----------------|
| Dimensions (W×H×D) [mm] | 319×251×61      |
| Power supply            | AC 220V~50/60Hz |

## KNX - KNX protocol



Each gateway doesn't need any external power and can be directly connected to a single indoor unit via XYE port using RS485.

### Installation schematic

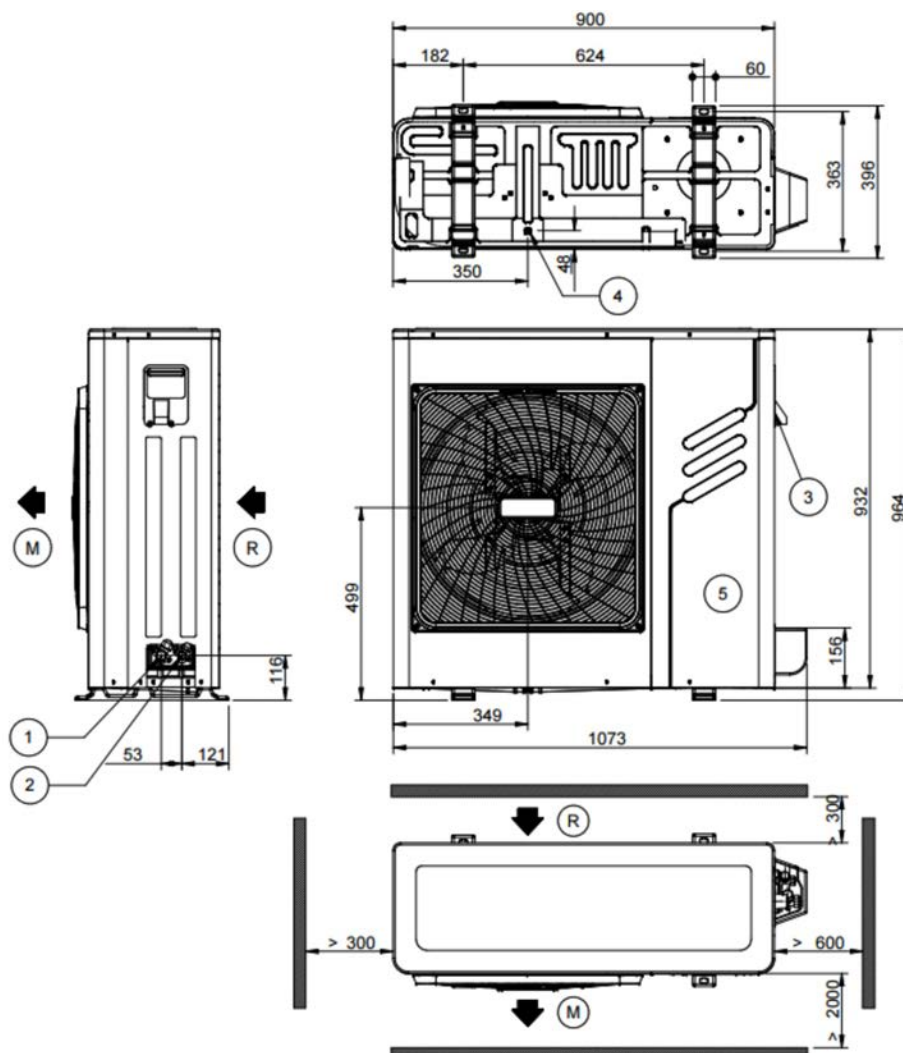


| Model                   | KNX                               |
|-------------------------|-----------------------------------|
| Dimensions (W×H×D) [mm] | 85×51×16                          |
| Power supply            | DC 29V (Supplied through KNX bus) |



# Dimensional drawings

## Size 80M - 105M



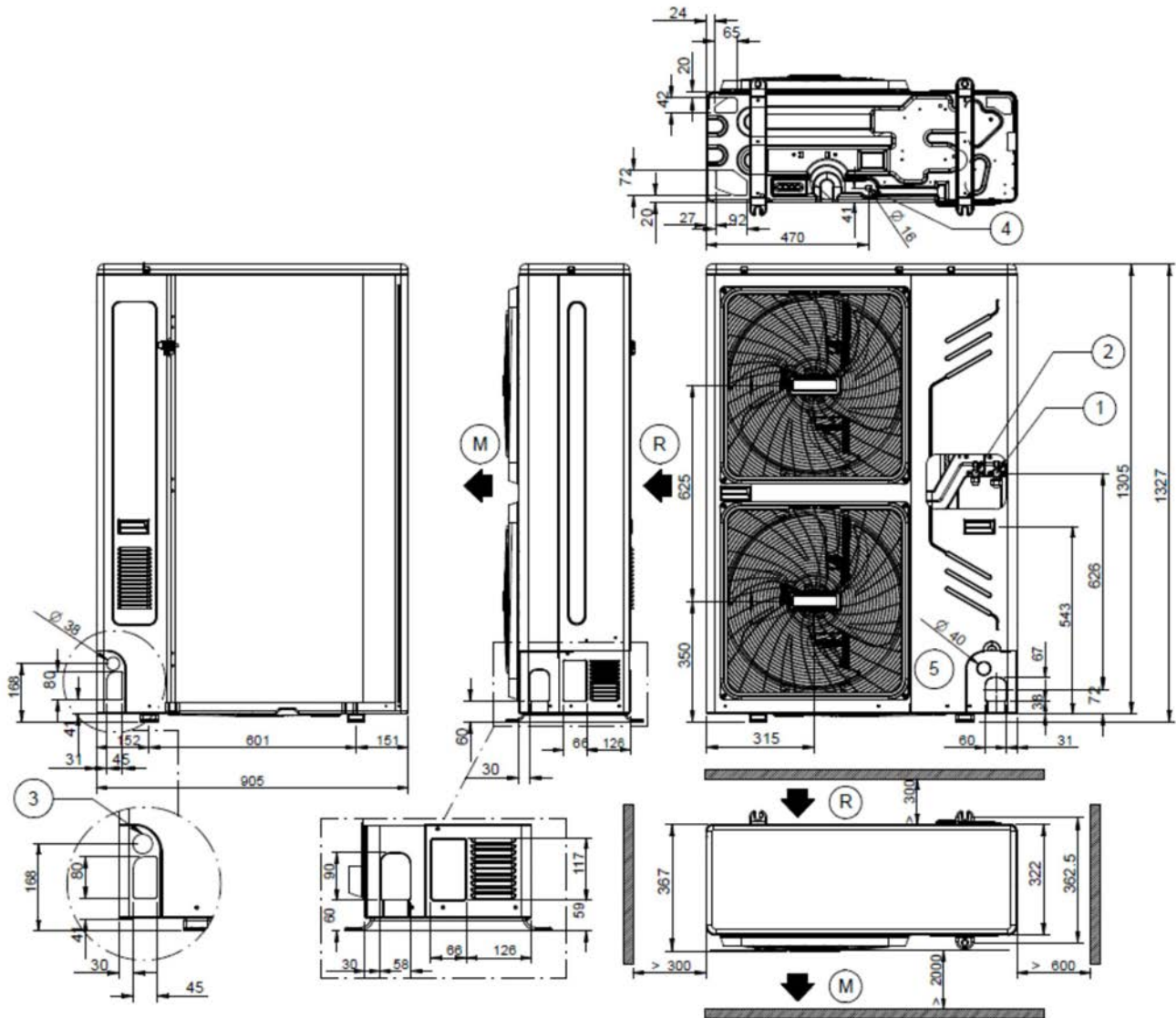
- 1. COMPRESSOR ENCLOSURE
- 2. LIQUID SIDE (Ø9,53 mm)
- 3. GAS SIDE (Ø15,9 mm)
- 4. DRAIN SIDE

| Size            |    | 80M | 105M |
|-----------------|----|-----|------|
| Net weight      | kg | 75  | 75   |
| Shipping weight | kg | 85  | 85   |

Optional accessories may substantially vary the weights shown in the table.

# Dimensional drawings

Size 120M/120T - 140M/140T - 160M/160T - 180T



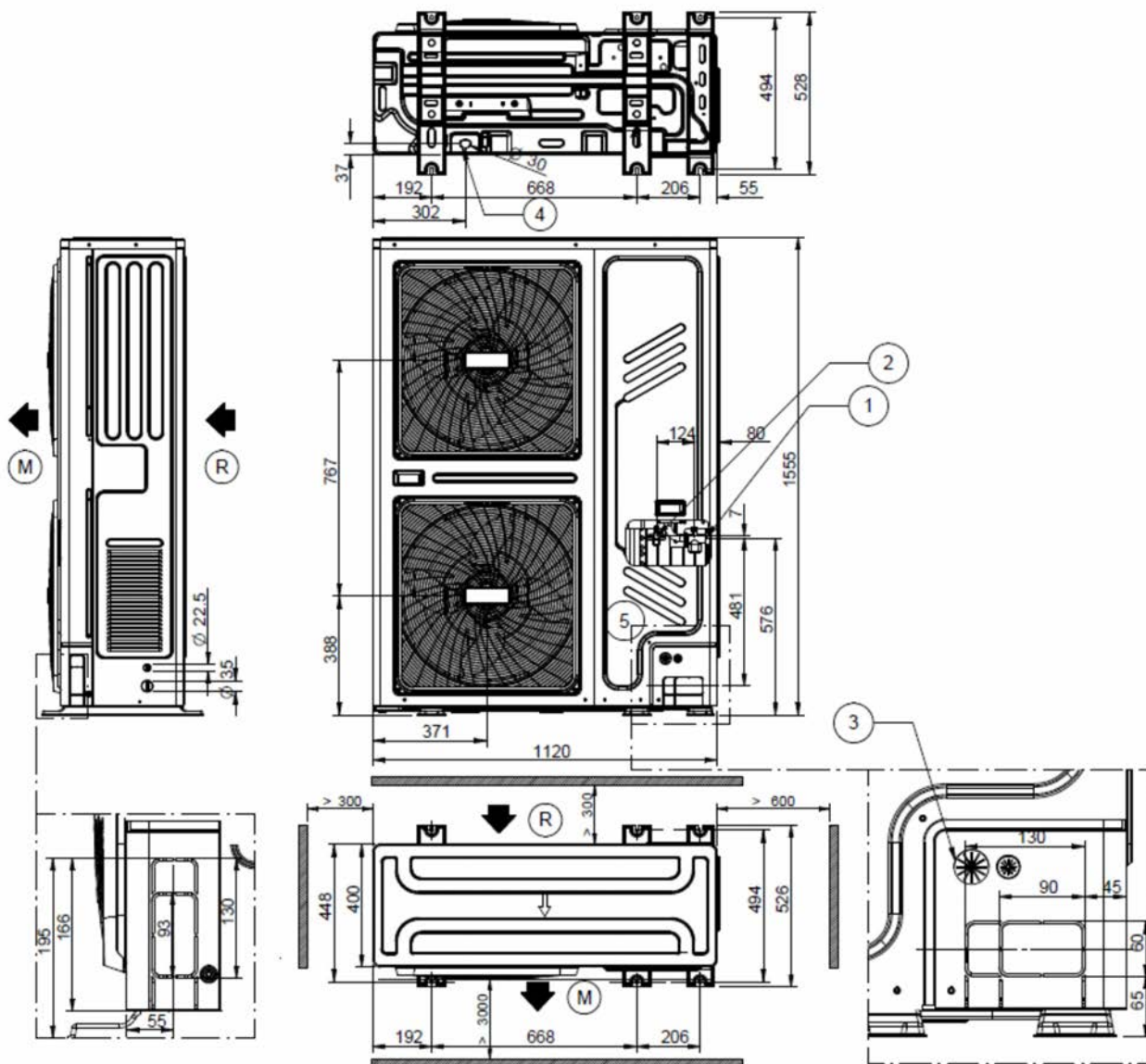
- 1. COMPRESSOR ENCLOSURE
- 2. ELECTRICAL WIRING
- 3. LIQUID SIDE ( $\varnothing 9,53$  mm)
- 4. GAS SIDE ( $\varnothing 15,9$  mm for 120M/120T/140M/140T;  $\varnothing 19,1$  mm for 160M/160T/180T)
- 5. DRAIN SIDE

| Size            |    | 120M/120T | 140M/140T | 160M/160T | 180T |
|-----------------|----|-----------|-----------|-----------|------|
| Net weight      | kg | 95        | 95        | 102       | 107  |
| Shipping weight | kg | 106       | 106       | 113       | 118  |

Optional accessories may substantially vary the weights shown in the table.

# Dimensional drawings

## Size 200T - 224T - 260T



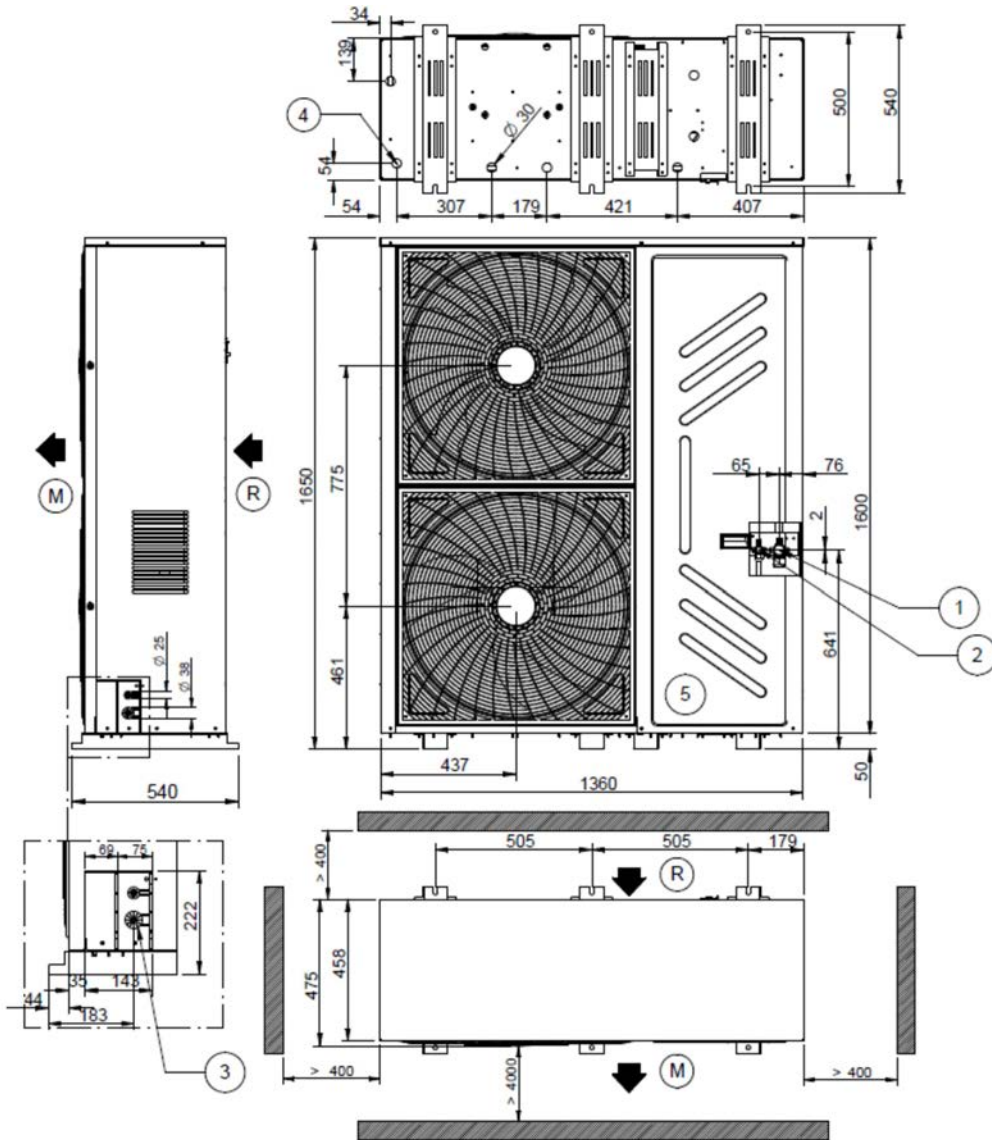
1. COMPRESSOR ENCLOSURE
2. ELECTRICAL WIRING
3. LIQUID SIDE (Ø9,53 mm)
4. GAS SIDE (Ø19,1 mm for 200T/224T; Ø22,2 mm for 260T)
5. DRAIN SIDE

| Size            |    | 200T | 224T  | /260T |
|-----------------|----|------|-------|-------|
| Net weight      | kg | 137  | 146,5 | 147   |
| Shipping weight | kg | 153  | 162,5 | 163   |

Optional accessories may substantially vary the weights shown in the table.

# Dimensional drawings

## Size 400T



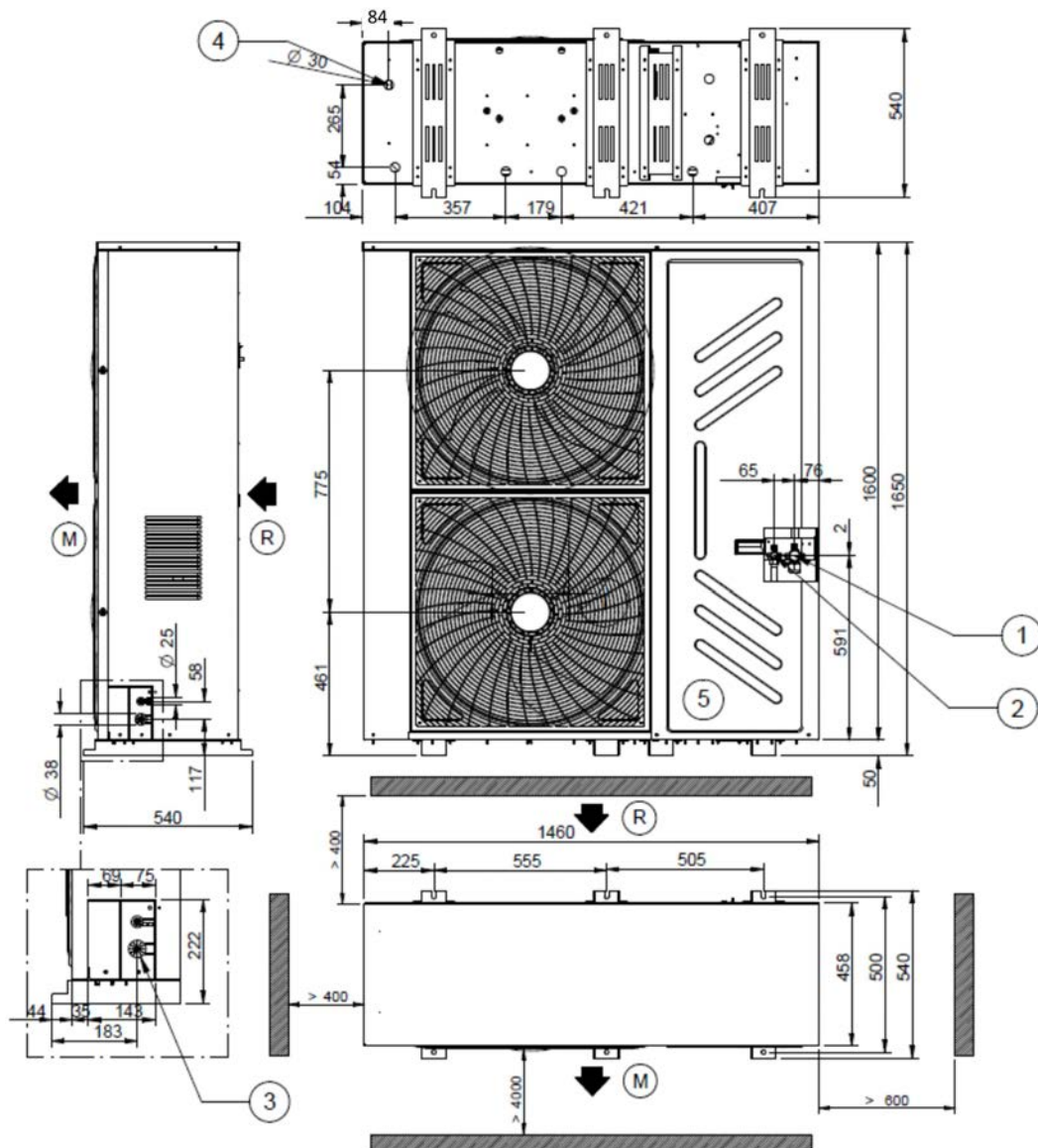
- 1. COMPRESSOR ENCLOSURE
- 2. ELECTRICAL WIRING
- 3. LIQUID SIDE (Ø12,7 mm)
- 4. GAS SIDE (Ø22,2 mm)
- 5. DRAIN SIDE

| Size            | 400T |     |
|-----------------|------|-----|
| Net weight      | kg   | 240 |
| Shipping weight | kg   | 260 |

Optional accessories may substantially vary the weights shown in the table.

# Dimensional drawings

## Size 450T



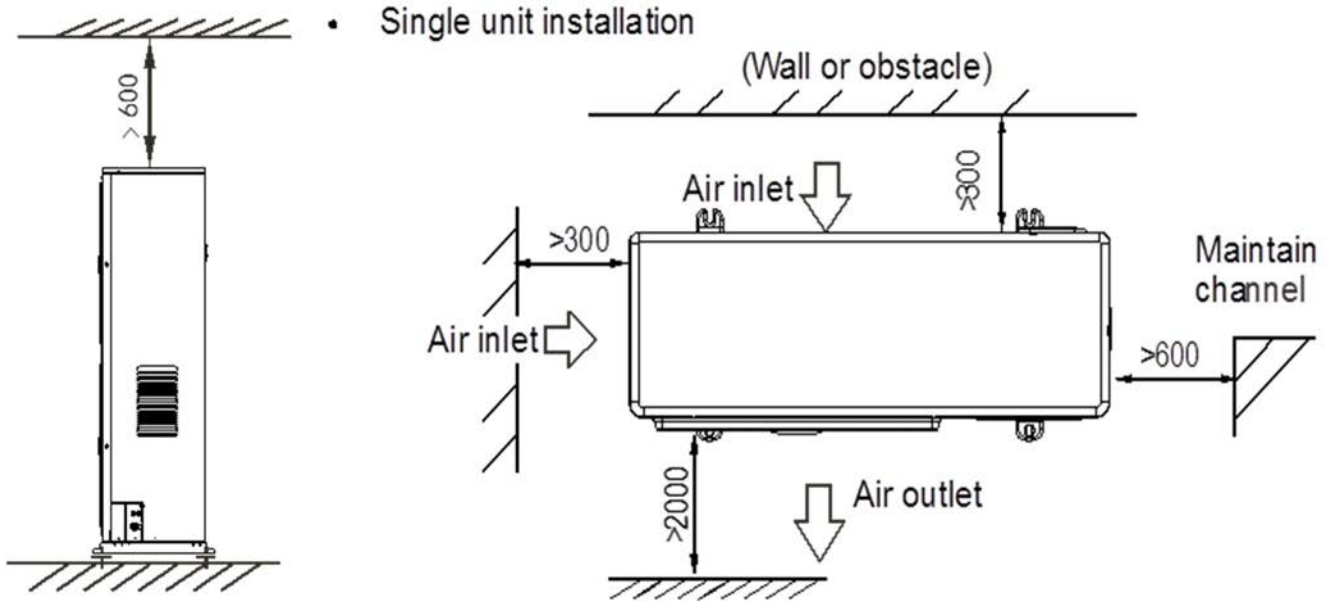
1. COMPRESSOR ENCLOSURE
2. ELECTRICAL WIRING
3. LIQUID SIDE ( $\varnothing 12,7$  mm)
4. GAS SIDE ( $\varnothing 25,4$  mm)
5. DRAIN SIDE

| Size            | 450T |     |
|-----------------|------|-----|
| Net weight      | kg   | 275 |
| Shipping weight | kg   | 290 |

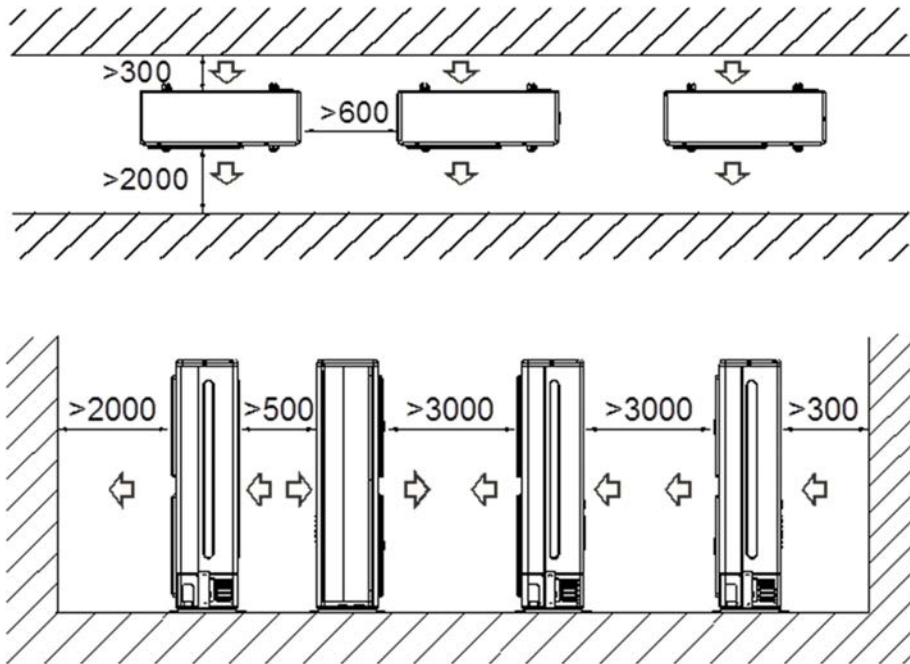
Optional accessories may substantially vary the weights shown in the table.

## Service space

### Single unit installation - Size 80M - 260T



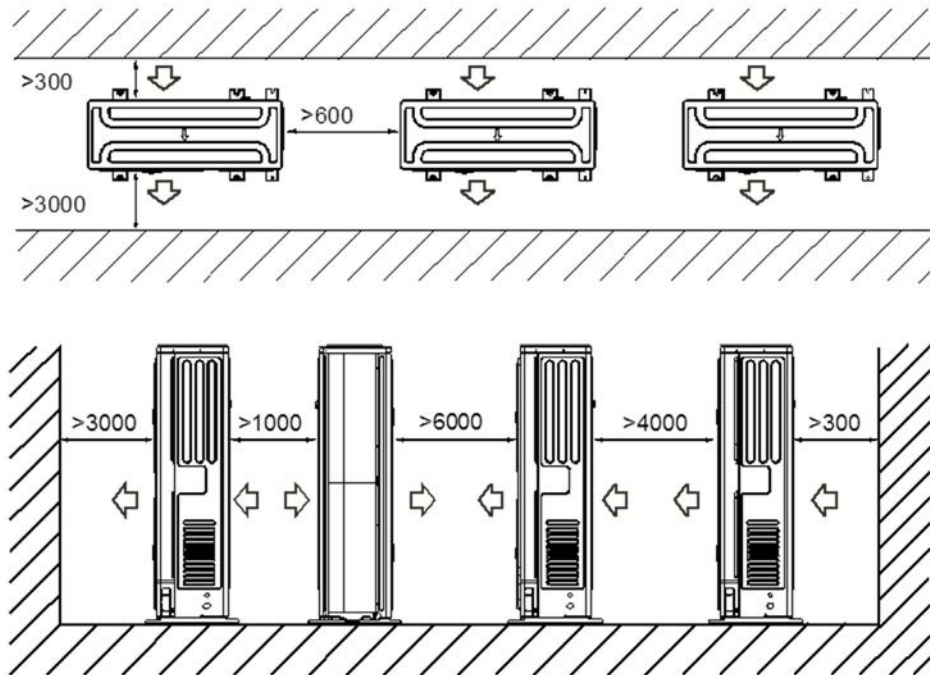
### Multiple unit installation - Size 80M - 180T





## Service space

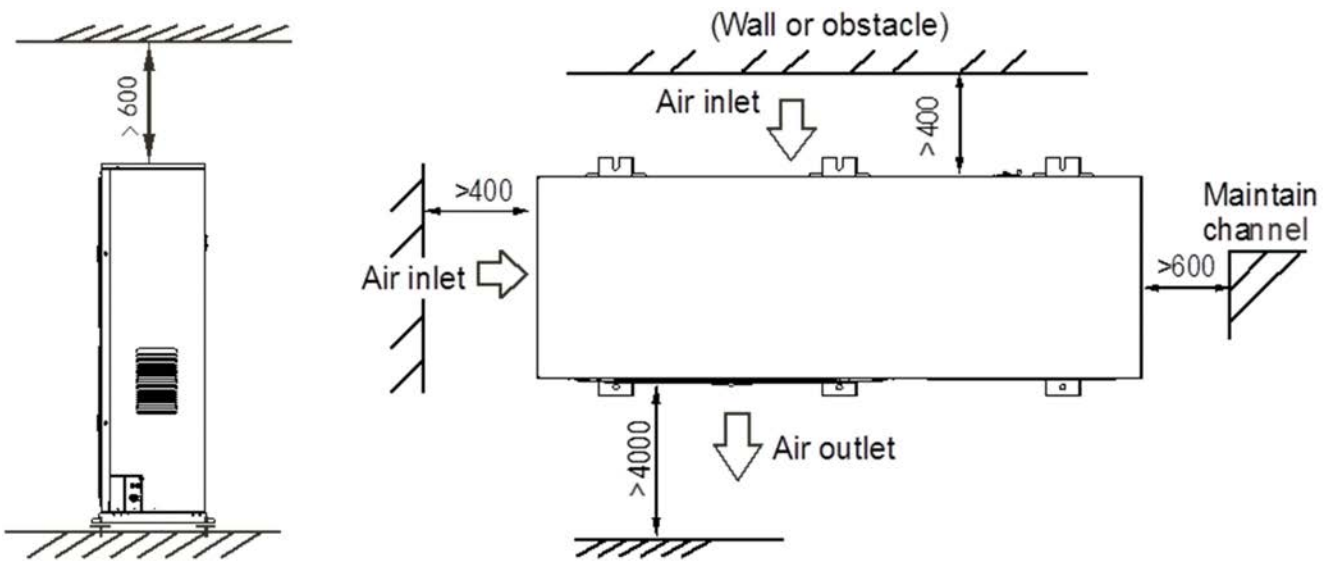
### Multiple unit installation - Size 200T - 260T



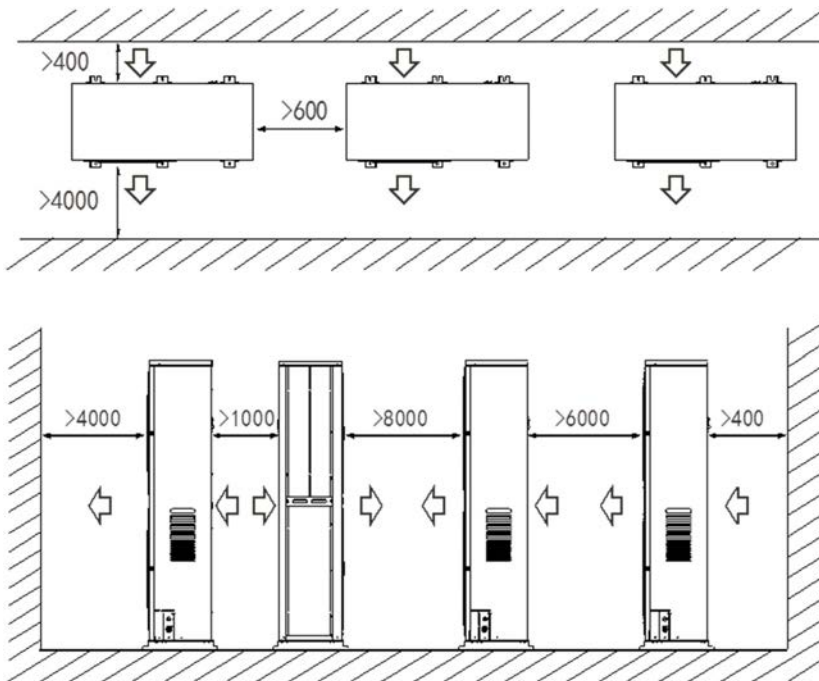


## Service space

### Single unit installation - Size 400M - 450T



### Multiple unit installation - Size 400M - 450T





# **Part 2**

# **Capacity**

# **Tables**

# Performance in Cooling

## MSAN-XMi 80M

| Indoor/<br>Outdoor<br>Capacity<br>Ratio | Outdoor air<br>temperature<br>D.B.(°C) | Indoor air temperature D.B / W.B. (°C) |      |         |      |         |      |       |      |         |      |         |      |       |      |
|---|--|--|------|---------|------|---------|------|-------|------|---------|------|---------|------|-------|------|
|   |  | 20,8/14                                |      | 23,3/16 |      | 25,8/18 |      | 27/19 |      | 28,2/20 |      | 30,7/22 |      | 32/24 |      |
|   |  | kWf                                    | kWe  | kWf     | kWe  | kWf     | kWe  | kWf   | kWe  | kWf     | kWe  | kWf     | kWe  | kWf   | kWe  |
| 130%                                    | -5                                     | 6,3                                    | 0,76 | 7,5     | 0,92 | 8,7     | 0,99 | 9,1   | 1,03 | 9,5     | 1,06 | 9,7     | 1,15 | 10    | 1,16 |
|   | -2                                     | 6,3                                    | 0,76 | 7,5     | 0,94 | 8,7     | 0,99 | 9,1   | 1,04 | 9,5     | 1,06 | 9,7     | 1,17 | 10    | 1,17 |
|   | 0                                      | 6,3                                    | 0,77 | 7,5     | 0,96 | 8,7     | 1,03 | 9,1   | 1,09 | 9,5     | 1,12 | 9,7     | 1,18 | 10    | 1,19 |
|   | 2                                      | 6,3                                    | 0,78 | 7,5     | 0,96 | 8,7     | 1,06 | 9,1   | 1,15 | 9,5     | 1,13 | 9,7     | 1,19 | 10    | 1,2  |
|   | 4                                      | 6,3                                    | 0,8  | 7,5     | 0,98 | 8,7     | 1,1  | 9,1   | 1,16 | 9,5     | 1,15 | 9,7     | 1,21 | 10    | 1,23 |
|   | 6                                      | 6,3                                    | 0,82 | 7,5     | 1    | 8,7     | 1,14 | 9,1   | 1,17 | 9,4     | 1,18 | 9,6     | 1,23 | 9,9   | 1,24 |
|   | 8                                      | 6,3                                    | 0,84 | 7,5     | 1,02 | 8,7     | 1,2  | 9,1   | 1,23 | 9,3     | 1,22 | 9,5     | 1,23 | 9,8   | 1,25 |
|   | 10                                     | 6,3                                    | 0,85 | 7,5     | 1,04 | 8,7     | 1,24 | 9,1   | 1,27 | 9,2     | 1,25 | 9,4     | 1,25 | 9,6   | 1,28 |
|   | 12                                     | 6,3                                    | 0,87 | 7,5     | 1,06 | 8,7     | 1,26 | 8,9   | 1,29 | 9,1     | 1,26 | 9,3     | 1,27 | 9,5   | 1,29 |
|   | 14                                     | 6,3                                    | 0,89 | 7,5     | 1,08 | 8,7     | 1,28 | 8,8   | 1,3  | 8,9     | 1,28 | 9,2     | 1,29 | 9,4   | 1,32 |
|   | 16                                     | 6,3                                    | 0,9  | 7,5     | 1,1  | 8,6     | 1,3  | 8,7   | 1,32 | 8,8     | 1,32 | 9,1     | 1,31 | 9,3   | 1,34 |
|   | 18                                     | 6,3                                    | 0,92 | 7,5     | 1,13 | 8,5     | 1,32 | 8,6   | 1,33 | 8,7     | 1,34 | 8,9     | 1,35 | 9,2   | 1,36 |
|   | 20                                     | 6,3                                    | 0,94 | 7,5     | 1,2  | 8,4     | 1,39 | 8,5   | 1,39 | 8,6     | 1,4  | 8,8     | 1,41 | 9,1   | 1,43 |
|   | 21                                     | 6,3                                    | 0,96 | 7,5     | 1,24 | 8,3     | 1,42 | 8,4   | 1,43 | 8,5     | 1,43 | 8,8     | 1,45 | 9     | 1,46 |
|   | 23                                     | 6,3                                    | 1,03 | 7,5     | 1,33 | 8,2     | 1,48 | 8,3   | 1,49 | 8,4     | 1,5  | 8,6     | 1,51 | 8,9   | 1,53 |
|   | 25                                     | 6,3                                    | 1,1  | 7,5     | 1,43 | 8,1     | 1,55 | 8,2   | 1,56 | 8,3     | 1,57 | 8,5     | 1,58 | 8,8   | 1,6  |
|   | 27                                     | 6,3                                    | 1,18 | 7,5     | 1,53 | 8       | 1,61 | 8,1   | 1,62 | 8,2     | 1,63 | 8,4     | 1,65 | 8,6   | 1,67 |
|   | 29                                     | 6,3                                    | 1,26 | 7,5     | 1,63 | 7,8     | 1,68 | 7,9   | 1,69 | 8,1     | 1,7  | 8,3     | 1,72 | 8,5   | 1,73 |
|   | 31                                     | 6,3                                    | 1,34 | 7,5     | 1,73 | 7,7     | 1,75 | 7,8   | 1,76 | 7,9     | 1,76 | 8,2     | 1,78 | 8,4   | 1,8  |
|   | 33                                     | 6,3                                    | 1,43 | 7,4     | 1,79 | 7,6     | 1,81 | 7,7   | 1,82 | 7,8     | 1,83 | 8,1     | 1,85 | 8,3   | 1,87 |
| 35                                      | 6,3                                    | 1,52                                   | 7,3  | 1,86    | 7,5  | 1,88    | 7,6  | 1,89  | 7,7  | 1,9     | 7,9  | 1,92    | 8,2  | 1,94  |      |
| 37                                      | 6,3                                    | 1,62                                   | 7,1  | 1,92    | 7,4  | 1,94    | 7,5  | 1,95  | 7,6  | 1,97    | 7,8  | 1,99    | 8    | 2,01  |      |
| 39                                      | 6,3                                    | 1,73                                   | 7    | 1,94    | 7,3  | 2,01    | 7,4  | 2,02  | 7,5  | 2,03    | 7,7  | 2,06    | 7,9  | 2,08  |      |
| 41                                      | 6,3                                    | 1,82                                   | 6,9  | 1,96    | 7,2  | 2,03    | 7,3  | 2,04  | 7,4  | 2,05    | 7,6  | 2,06    | 7,6  | 2,1   |      |
| 43                                      | 6,3                                    | 1,86                                   | 6,9  | 1,97    | 7,1  | 2,03    | 7,3  | 2,05  | 7,3  | 2,06    | 7,5  | 2,06    | 7,5  | 2,11  |      |
| 120%                                    | -5                                     | 5,8                                    | 0,73 | 6,9     | 0,88 | 8,1     | 1,05 | 8,6   | 1,14 | 9,1     | 1,19 | 9,3     | 1,23 | 9,5   | 1,26 |
|   | -2                                     | 5,8                                    | 0,74 | 6,9     | 0,89 | 8,1     | 1,06 | 8,6   | 1,15 | 9,1     | 1,2  | 9,3     | 1,24 | 9,5   | 1,26 |
|   | 0                                      | 5,8                                    | 0,74 | 6,9     | 0,9  | 8,1     | 1,07 | 8,6   | 1,15 | 9,1     | 1,21 | 9,3     | 1,24 | 9,5   | 1,27 |
|   | 2                                      | 5,8                                    | 0,75 | 6,9     | 0,91 | 8,1     | 1,08 | 8,6   | 1,16 | 9,1     | 1,22 | 9,3     | 1,25 | 9,5   | 1,27 |
|   | 4                                      | 5,8                                    | 0,75 | 6,9     | 0,92 | 8,1     | 1,09 | 8,6   | 1,17 | 9,1     | 1,24 | 9,3     | 1,26 | 9,5   | 1,27 |
|   | 6                                      | 5,8                                    | 0,76 | 6,9     | 0,93 | 8,1     | 1,1  | 8,6   | 1,18 | 9,1     | 1,25 | 9,3     | 1,27 | 9,5   | 1,28 |
|   | 8                                      | 5,8                                    | 0,77 | 6,9     | 0,94 | 8,1     | 1,12 | 8,6   | 1,2  | 9,1     | 1,26 | 9,3     | 1,27 | 9,5   | 1,28 |
|   | 10                                     | 5,8                                    | 0,78 | 6,9     | 0,95 | 8,1     | 1,13 | 8,6   | 1,22 | 9,1     | 1,26 | 9,3     | 1,27 | 9,5   | 1,29 |
|   | 12                                     | 5,8                                    | 0,79 | 6,9     | 0,97 | 8,1     | 1,15 | 8,6   | 1,24 | 8,9     | 1,27 | 9,1     | 1,27 | 9,3   | 1,3  |
|   | 14                                     | 5,8                                    | 0,81 | 6,9     | 0,99 | 8,1     | 1,17 | 8,6   | 1,27 | 8,8     | 1,27 | 9       | 1,29 | 9,2   | 1,31 |
|   | 16                                     | 5,8                                    | 0,82 | 6,9     | 1,01 | 8,1     | 1,2  | 8,6   | 1,27 | 8,7     | 1,29 | 8,9     | 1,31 | 9,1   | 1,33 |
|   | 18                                     | 5,8                                    | 0,84 | 6,9     | 1,03 | 8,1     | 1,24 | 8,5   | 1,32 | 8,6     | 1,33 | 8,8     | 1,34 | 9     | 1,35 |
|   | 20                                     | 5,8                                    | 0,86 | 6,9     | 1,07 | 8,1     | 1,33 | 8,4   | 1,39 | 8,5     | 1,39 | 8,7     | 1,4  | 8,9   | 1,42 |
|   | 21                                     | 5,8                                    | 0,86 | 6,9     | 1,1  | 8,1     | 1,38 | 8,3   | 1,42 | 8,4     | 1,42 | 8,6     | 1,44 | 8,8   | 1,45 |
|   | 23                                     | 5,8                                    | 0,92 | 6,9     | 1,18 | 8,1     | 1,48 | 8,2   | 1,48 | 8,3     | 1,49 | 8,5     | 1,5  | 8,7   | 1,52 |
|   | 25                                     | 5,8                                    | 0,98 | 6,9     | 1,27 | 7,9     | 1,54 | 8     | 1,55 | 8,2     | 1,55 | 8,4     | 1,57 | 8,6   | 1,58 |
|   | 27                                     | 5,8                                    | 1,05 | 6,9     | 1,35 | 7,8     | 1,6  | 7,9   | 1,61 | 8       | 1,62 | 8,3     | 1,64 | 8,5   | 1,65 |
|   | 29                                     | 5,8                                    | 1,12 | 6,9     | 1,45 | 7,7     | 1,67 | 7,8   | 1,68 | 7,9     | 1,69 | 8,1     | 1,7  | 8,4   | 1,72 |
|   | 31                                     | 5,8                                    | 1,2  | 6,9     | 1,54 | 7,6     | 1,74 | 7,7   | 1,74 | 7,8     | 1,75 | 8       | 1,77 | 8,2   | 1,79 |
|   | 33                                     | 5,8                                    | 1,27 | 6,9     | 1,65 | 7,5     | 1,8  | 7,6   | 1,81 | 7,7     | 1,82 | 7,9     | 1,84 | 8,1   | 1,86 |
| 35                                      | 5,8                                    | 1,36                                   | 6,9  | 1,76    | 7,4  | 1,86    | 7,5  | 1,87  | 7,6  | 1,88    | 7,8  | 1,9     | 8    | 1,92  |      |
| 37                                      | 5,8                                    | 1,44                                   | 6,9  | 1,87    | 7,3  | 1,93    | 7,4  | 1,94  | 7,5  | 1,95    | 7,7  | 1,97    | 7,9  | 1,99  |      |
| 39                                      | 5,8                                    | 1,54                                   | 6,9  | 1,97    | 7,1  | 2       | 7,2  | 2,01  | 7,3  | 2,02    | 7,6  | 2,04    | 7,8  | 2,06  |      |
| 41                                      | 5,8                                    | 1,58                                   | 6,9  | 1,99    | 7,1  | 2,01    | 7,2  | 2,02  | 7,3  | 2,03    | 7,5  | 2,05    | 7,5  | 2,08  |      |
| 43                                      | 5,8                                    | 1,6                                    | 6,8  | 2       | 7    | 2,02    | 7,1  | 2,03  | 7,2  | 2,04    | 7,4  | 2,05    | 7,4  | 2,12  |      |

kWf = Cooling capacity [kW]  
 kWe = Compressor + Fan power input [kW]  
 DB = Dry bulb  
 WB = Wet bulb

# Performance in Cooling

## MSAN-XMi 80M

| Indoor/<br>Outdoor<br>Capacity<br>Ratio | Outdoor air<br>temperature<br>D.B.(°C) | Indoor air temperature D.B / W.B. (°C) |      |         |      |         |      |       |      |         |      |         |      |       |      |
|---|--|--|------|---------|------|---------|------|-------|------|---------|------|---------|------|-------|------|
|   |  | 20,8/14                                |      | 23,3/16 |      | 25,8/18 |      | 27/19 |      | 28,2/20 |      | 30,7/22 |      | 32/24 |      |
|   |  | kWf                                    | kWe  | kWf     | kWe  | kWf     | kWe  | kWf   | kWe  | kWf     | kWe  | kWf     | kWe  | kWf   | kWe  |
| 110%                                    | -5                                     | 5,3                                    | 0,64 | 6,4     | 0,79 | 7,4     | 0,95 | 7,9   | 1,02 | 8,4     | 1,09 | 9,1     | 1,14 | 9,3   | 1,17 |
|   | -2                                     | 5,3                                    | 0,65 | 6,4     | 0,8  | 7,4     | 0,96 | 7,9   | 1,03 | 8,4     | 1,1  | 9,1     | 1,15 | 9,3   | 1,18 |
|   | 0                                      | 5,3                                    | 0,66 | 6,4     | 0,81 | 7,4     | 0,96 | 7,9   | 1,03 | 8,4     | 1,12 | 9,1     | 1,16 | 9,3   | 1,19 |
|   | 2                                      | 5,3                                    | 0,67 | 6,4     | 0,82 | 7,4     | 0,98 | 7,9   | 1,04 | 8,4     | 1,13 | 9,1     | 1,18 | 9,3   | 1,21 |
|   | 4                                      | 5,3                                    | 0,68 | 6,4     | 0,83 | 7,4     | 0,99 | 7,9   | 1,06 | 8,4     | 1,14 | 9,1     | 1,19 | 9,3   | 1,22 |
|   | 6                                      | 5,3                                    | 0,69 | 6,4     | 0,84 | 7,4     | 1    | 7,9   | 1,07 | 8,4     | 1,16 | 9,1     | 1,2  | 9,3   | 1,24 |
|   | 8                                      | 5,3                                    | 0,7  | 6,4     | 0,85 | 7,4     | 1,01 | 7,9   | 1,09 | 8,4     | 1,17 | 9,1     | 1,21 | 9,3   | 1,25 |
|   | 10                                     | 5,3                                    | 0,71 | 6,4     | 0,86 | 7,4     | 1,02 | 7,9   | 1,1  | 8,4     | 1,19 | 9,1     | 1,22 | 9,3   | 1,26 |
|   | 12                                     | 5,3                                    | 0,72 | 6,4     | 0,88 | 7,4     | 1,04 | 7,9   | 1,13 | 8,4     | 1,21 | 9       | 1,24 | 9,2   | 1,28 |
|   | 14                                     | 5,3                                    | 0,73 | 6,4     | 0,89 | 7,4     | 1,06 | 7,9   | 1,15 | 8,4     | 1,23 | 8,8     | 1,25 | 9,1   | 1,29 |
|   | 16                                     | 5,3                                    | 0,75 | 6,4     | 0,91 | 7,4     | 1,08 | 7,9   | 1,17 | 8,4     | 1,26 | 8,7     | 1,26 | 8,9   | 1,3  |
|   | 18                                     | 5,3                                    | 0,76 | 6,4     | 0,93 | 7,4     | 1,1  | 7,9   | 1,2  | 8,4     | 1,32 | 8,6     | 1,33 | 8,8   | 1,34 |
|   | 20                                     | 5,3                                    | 0,78 | 6,4     | 0,95 | 7,4     | 1,17 | 7,9   | 1,29 | 8,3     | 1,38 | 8,5     | 1,39 | 8,7   | 1,41 |
|   | 21                                     | 5,3                                    | 0,78 | 6,4     | 0,97 | 7,4     | 1,21 | 7,9   | 1,34 | 8,3     | 1,42 | 8,4     | 1,43 | 8,6   | 1,44 |
|   | 23                                     | 5,3                                    | 0,82 | 6,4     | 1,04 | 7,4     | 1,3  | 7,9   | 1,44 | 8,1     | 1,48 | 8,3     | 1,49 | 8,5   | 1,51 |
|   | 25                                     | 5,3                                    | 0,88 | 6,4     | 1,12 | 7,4     | 1,39 | 7,9   | 1,54 | 8       | 1,54 | 8,2     | 1,56 | 8,4   | 1,57 |
|   | 27                                     | 5,3                                    | 0,93 | 6,4     | 1,19 | 7,4     | 1,49 | 7,8   | 1,6  | 7,9     | 1,61 | 8,1     | 1,62 | 8,3   | 1,64 |
|   | 29                                     | 5,3                                    | 0,99 | 6,4     | 1,27 | 7,4     | 1,59 | 7,7   | 1,67 | 7,8     | 1,68 | 8       | 1,69 | 8,2   | 1,71 |
|   | 31                                     | 5,3                                    | 1,06 | 6,4     | 1,36 | 7,4     | 1,7  | 7,6   | 1,73 | 7,7     | 1,74 | 7,9     | 1,76 | 8     | 1,77 |
|   | 33                                     | 5,3                                    | 1,13 | 6,4     | 1,45 | 7,4     | 1,79 | 7,5   | 1,8  | 7,6     | 1,81 | 7,7     | 1,82 | 7,9   | 1,84 |
| 35                                      | 5,3                                    | 1,2                                    | 6,4  | 1,54    | 7,2  | 1,85    | 7,3  | 1,86  | 7,4  | 1,87    | 7,6  | 1,89    | 7,8  | 1,91  |      |
| 37                                      | 5,3                                    | 1,28                                   | 6,4  | 1,64    | 7,1  | 1,92    | 7,2  | 1,93  | 7,3  | 1,94    | 7,5  | 1,96    | 7,7  | 1,97  |      |
| 39                                      | 5,3                                    | 1,36                                   | 6,4  | 1,75    | 7    | 1,98    | 7,1  | 1,99  | 7,2  | 2       | 7,4  | 2,02    | 7,6  | 2,04  |      |
| 41                                      | 5,3                                    | 1,37                                   | 6,4  | 1,76    | 6,9  | 2       | 7    | 2,01  | 7,1  | 2,02    | 7,3  | 2,04    | 7,4  | 2,06  |      |
| 43                                      | 5,3                                    | 1,38                                   | 6,4  | 1,79    | 6,9  | 2,01    | 7    | 2,02  | 7,1  | 2,03    | 7,2  | 2,05    | 7,2  | 2,1   |      |
| 100%                                    | -5                                     | 4,9                                    | 0,58 | 5,8     | 0,7  | 6,7     | 0,83 | 7,2   | 0,89 | 7,7     | 0,97 | 8,6     | 1,1  | 9,1   | 1,15 |
|   | -2                                     | 4,9                                    | 0,59 | 5,8     | 0,71 | 6,7     | 0,84 | 7,2   | 0,91 | 7,7     | 0,98 | 8,6     | 1,12 | 9,1   | 1,16 |
|   | 0                                      | 4,9                                    | 0,59 | 5,8     | 0,72 | 6,7     | 0,85 | 7,2   | 0,92 | 7,7     | 0,99 | 8,6     | 1,13 | 9,1   | 1,17 |
|   | 2                                      | 4,9                                    | 0,61 | 5,8     | 0,73 | 6,7     | 0,86 | 7,2   | 0,93 | 7,7     | 1    | 8,6     | 1,15 | 9,1   | 1,19 |
|   | 4                                      | 4,9                                    | 0,61 | 5,8     | 0,73 | 6,7     | 0,87 | 7,2   | 0,95 | 7,7     | 1,01 | 8,6     | 1,16 | 9,1   | 1,2  |
|   | 6                                      | 4,9                                    | 0,62 | 5,8     | 0,75 | 6,7     | 0,88 | 7,2   | 0,96 | 7,7     | 1,03 | 8,6     | 1,18 | 9,1   | 1,22 |
|   | 8                                      | 4,9                                    | 0,63 | 5,8     | 0,76 | 6,7     | 0,9  | 7,2   | 0,97 | 7,7     | 1,05 | 8,6     | 1,2  | 9,1   | 1,24 |
|   | 10                                     | 4,9                                    | 0,64 | 5,8     | 0,77 | 6,7     | 0,92 | 7,2   | 0,99 | 7,7     | 1,06 | 8,6     | 1,22 | 9,1   | 1,26 |
|   | 12                                     | 4,9                                    | 0,65 | 5,8     | 0,79 | 6,7     | 0,93 | 7,2   | 1,01 | 7,7     | 1,08 | 8,6     | 1,24 | 9     | 1,27 |
|   | 14                                     | 4,9                                    | 0,66 | 5,8     | 0,8  | 6,7     | 0,95 | 7,2   | 1,03 | 7,7     | 1,1  | 8,6     | 1,26 | 8,9   | 1,28 |
|   | 16                                     | 4,9                                    | 0,67 | 5,8     | 0,82 | 6,7     | 0,97 | 7,2   | 1,05 | 7,7     | 1,13 | 8,6     | 1,28 | 8,7   | 1,3  |
|   | 18                                     | 4,9                                    | 0,69 | 5,8     | 0,83 | 6,7     | 0,99 | 7,2   | 1,07 | 7,7     | 1,15 | 8,5     | 1,32 | 8,6   | 1,33 |
|   | 20                                     | 4,9                                    | 0,7  | 5,8     | 0,85 | 6,7     | 1,02 | 7,2   | 1,12 | 7,7     | 1,23 | 8,3     | 1,38 | 8,5   | 1,4  |
|   | 21                                     | 4,9                                    | 0,71 | 5,8     | 0,86 | 6,7     | 1,05 | 7,2   | 1,16 | 7,7     | 1,27 | 8,3     | 1,42 | 8,5   | 1,43 |
|   | 23                                     | 4,9                                    | 0,72 | 5,8     | 0,92 | 6,7     | 1,13 | 7,2   | 1,24 | 7,7     | 1,37 | 8,2     | 1,48 | 8,3   | 1,49 |
|   | 25                                     | 4,9                                    | 0,77 | 5,8     | 0,98 | 6,7     | 1,21 | 7,2   | 1,33 | 7,7     | 1,46 | 8       | 1,55 | 8,2   | 1,56 |
|   | 27                                     | 4,9                                    | 0,82 | 5,8     | 1,04 | 6,7     | 1,29 | 7,2   | 1,43 | 7,7     | 1,57 | 7,9     | 1,61 | 8,1   | 1,63 |
|   | 29                                     | 4,9                                    | 0,88 | 5,8     | 1,11 | 6,7     | 1,38 | 7,2   | 1,52 | 7,6     | 1,66 | 7,8     | 1,68 | 8     | 1,69 |
|   | 31                                     | 4,9                                    | 0,93 | 5,8     | 1,19 | 6,7     | 1,47 | 7,2   | 1,63 | 7,5     | 1,73 | 7,7     | 1,74 | 7,9   | 1,76 |
|   | 33                                     | 4,9                                    | 0,99 | 5,8     | 1,26 | 6,7     | 1,57 | 7,2   | 1,74 | 7,4     | 1,79 | 7,6     | 1,81 | 7,8   | 1,83 |
| 35                                      | 4,9                                    | 1,05                                   | 5,8  | 1,34    | 6,7  | 1,67    | 7,2  | 1,85  | 7,3  | 1,86    | 7,5  | 1,87    | 7,6  | 1,89  |      |
| 37                                      | 4,9                                    | 1,12                                   | 5,8  | 1,43    | 6,7  | 1,78    | 7,1  | 1,91  | 7,2  | 1,92    | 7,4  | 1,94    | 7,5  | 1,96  |      |
| 39                                      | 4,9                                    | 1,19                                   | 5,8  | 1,52    | 6,7  | 1,9     | 7    | 1,98  | 7    | 1,99    | 7,2  | 2,01    | 7,4  | 2,03  |      |
| 41                                      | 4,9                                    | 1,24                                   | 5,8  | 1,58    | 6,7  | 1,97    | 6,9  | 1,99  | 7    | 2,02    | 7,1  | 2,05    | 7,3  | 2,07  |      |
| 43                                      | 4,9                                    | 1,3                                    | 5,8  | 1,63    | 6,7  | 2       | 6,8  | 2,02  | 6,9  | 2,04    | 7,1  | 2,07    | 7,2  | 2,09  |      |

kWf = Cooling capacity [kW]  
 kWe = Compressor + Fan power input [kW]  
 DB = Dry bulb  
 WB = Wet bulb

# Performance in Cooling

## MSAN-XMi 80M

| Indoor/<br>Outdoor<br>Capacity<br>Ratio | Outdoor air<br>temperature<br>D.B.(°C) | Indoor air temperature D.B / W.B. (°C) |      |         |      |         |      |       |      |         |      |         |      |       |      |
|---|--|--|------|---------|------|---------|------|-------|------|---------|------|---------|------|-------|------|
|   |  | 20,8/14                                |      | 23,3/16 |      | 25,8/18 |      | 27/19 |      | 28,2/20 |      | 30,7/22 |      | 32/24 |      |
|   |  | kWf                                    | kWe  | kWf     | kWe  | kWf     | kWe  | kWf   | kWe  | kWf     | kWe  | kWf     | kWe  | kWf   | kWe  |
| 90%                                     | -5                                     | 4,4                                    | 0,51 | 5,2     | 0,62 | 6,1     | 0,73 | 6,5   | 0,79 | 6,9     | 0,84 | 7,7     | 0,97 | 8,6   | 1,11 |
|   | -2                                     | 4,4                                    | 0,52 | 5,2     | 0,62 | 6,1     | 0,74 | 6,5   | 0,8  | 6,9     | 0,85 | 7,7     | 0,98 | 8,6   | 1,12 |
|   | 0                                      | 4,4                                    | 0,53 | 5,2     | 0,63 | 6,1     | 0,75 | 6,5   | 0,81 | 6,9     | 0,87 | 7,7     | 0,99 | 8,6   | 1,13 |
|   | 2                                      | 4,4                                    | 0,53 | 5,2     | 0,64 | 6,1     | 0,76 | 6,5   | 0,83 | 6,9     | 0,88 | 7,7     | 1,01 | 8,6   | 1,15 |
|   | 4                                      | 4,4                                    | 0,54 | 5,2     | 0,65 | 6,1     | 0,77 | 6,5   | 0,84 | 6,9     | 0,89 | 7,7     | 1,03 | 8,6   | 1,16 |
|   | 6                                      | 4,4                                    | 0,55 | 5,2     | 0,66 | 6,1     | 0,78 | 6,5   | 0,85 | 6,9     | 0,91 | 7,7     | 1,04 | 8,6   | 1,18 |
|   | 8                                      | 4,4                                    | 0,56 | 5,2     | 0,67 | 6,1     | 0,8  | 6,5   | 0,86 | 6,9     | 0,92 | 7,7     | 1,06 | 8,6   | 1,19 |
|   | 10                                     | 4,4                                    | 0,57 | 5,2     | 0,69 | 6,1     | 0,81 | 6,5   | 0,88 | 6,9     | 0,94 | 7,7     | 1,08 | 8,6   | 1,21 |
|   | 12                                     | 4,4                                    | 0,58 | 5,2     | 0,7  | 6,1     | 0,83 | 6,5   | 0,89 | 6,9     | 0,96 | 7,7     | 1,1  | 8,6   | 1,24 |
|   | 14                                     | 4,4                                    | 0,59 | 5,2     | 0,71 | 6,1     | 0,84 | 6,5   | 0,91 | 6,9     | 0,98 | 7,7     | 1,12 | 8,6   | 1,26 |
|   | 16                                     | 4,4                                    | 0,6  | 5,2     | 0,73 | 6,1     | 0,86 | 6,5   | 0,93 | 6,9     | 1    | 7,7     | 1,14 | 8,6   | 1,28 |
|   | 18                                     | 4,4                                    | 0,61 | 5,2     | 0,74 | 6,1     | 0,88 | 6,5   | 0,94 | 6,9     | 1,02 | 7,7     | 1,16 | 8,5   | 1,32 |
|   | 20                                     | 4,4                                    | 0,62 | 5,2     | 0,76 | 6,1     | 0,89 | 6,5   | 0,96 | 6,9     | 1,05 | 7,7     | 1,25 | 8,3   | 1,38 |
|   | 21                                     | 4,4                                    | 0,63 | 5,2     | 0,76 | 6,1     | 0,91 | 6,5   | 1    | 6,9     | 1,09 | 7,7     | 1,29 | 8,3   | 1,42 |
|   | 23                                     | 4,4                                    | 0,64 | 5,2     | 0,79 | 6,1     | 0,97 | 6,5   | 1,07 | 6,9     | 1,17 | 7,7     | 1,39 | 8,2   | 1,48 |
|   | 25                                     | 4,4                                    | 0,68 | 5,2     | 0,85 | 6,1     | 1,04 | 6,5   | 1,14 | 6,9     | 1,25 | 7,7     | 1,49 | 8     | 1,55 |
|   | 27                                     | 4,4                                    | 0,72 | 5,2     | 0,9  | 6,1     | 1,11 | 6,5   | 1,22 | 6,9     | 1,34 | 7,7     | 1,59 | 7,9   | 1,61 |
|   | 29                                     | 4,4                                    | 0,77 | 5,2     | 0,96 | 6,1     | 1,18 | 6,5   | 1,3  | 6,9     | 1,43 | 7,7     | 1,66 | 7,8   | 1,68 |
|   | 31                                     | 4,4                                    | 0,81 | 5,2     | 1,02 | 6,1     | 1,26 | 6,5   | 1,39 | 6,9     | 1,53 | 7,5     | 1,73 | 7,7   | 1,74 |
|   | 33                                     | 4,4                                    | 0,86 | 5,2     | 1,09 | 6,1     | 1,35 | 6,5   | 1,48 | 6,9     | 1,63 | 7,4     | 1,79 | 7,6   | 1,81 |
| 35                                      | 4,4                                    | 0,92                                   | 5,2  | 1,16    | 6,1  | 1,43    | 6,5  | 1,58  | 6,9  | 1,74    | 7,3  | 1,86    | 7,5  | 1,87  |      |
| 37                                      | 4,4                                    | 0,97                                   | 5,2  | 1,23    | 6,1  | 1,53    | 6,5  | 1,68  | 6,9  | 1,85    | 7,2  | 1,92    | 7,4  | 1,94  |      |
| 39                                      | 4,4                                    | 1,03                                   | 5,2  | 1,31    | 6,1  | 1,62    | 6,5  | 1,79  | 6,9  | 1,97    | 7,1  | 1,99    | 7,2  | 2,01  |      |
| 41                                      | 4,4                                    | 1,07                                   | 5,2  | 1,37    | 6,1  | 1,68    | 6,5  | 1,84  | 6,9  | 1,98    | 7    | 2,04    | 7,2  | 2,05  |      |
| 43                                      | 4,4                                    | 1,12                                   | 5,2  | 1,43    | 6,1  | 1,74    | 6,5  | 1,89  | 6,9  | 2,02    | 7    | 2,07    | 7,1  | 2,09  |      |
| 80%                                     | -5                                     | 3,9                                    | 0,45 | 4,6     | 0,54 | 5,4     | 0,63 | 5,8   | 0,67 | 6,1     | 0,73 | 6,9     | 0,84 | 7,6   | 0,96 |
|   | -2                                     | 3,9                                    | 0,46 | 4,6     | 0,54 | 5,4     | 0,64 | 5,8   | 0,68 | 6,1     | 0,73 | 6,9     | 0,85 | 7,6   | 0,97 |
|   | 0                                      | 3,9                                    | 0,47 | 4,6     | 0,55 | 5,4     | 0,65 | 5,8   | 0,69 | 6,1     | 0,75 | 6,9     | 0,86 | 7,6   | 0,98 |
|   | 2                                      | 3,9                                    | 0,48 | 4,6     | 0,56 | 5,4     | 0,66 | 5,8   | 0,71 | 6,1     | 0,76 | 6,9     | 0,88 | 7,6   | 1    |
|   | 4                                      | 3,9                                    | 0,48 | 4,6     | 0,57 | 5,4     | 0,67 | 5,8   | 0,72 | 6,1     | 0,77 | 6,9     | 0,89 | 7,6   | 1,01 |
|   | 6                                      | 3,9                                    | 0,49 | 4,6     | 0,58 | 5,4     | 0,68 | 5,8   | 0,74 | 6,1     | 0,79 | 6,9     | 0,91 | 7,6   | 1,03 |
|   | 8                                      | 3,9                                    | 0,5  | 4,6     | 0,59 | 5,4     | 0,7  | 5,8   | 0,75 | 6,1     | 0,8  | 6,9     | 0,92 | 7,6   | 1,05 |
|   | 10                                     | 3,9                                    | 0,51 | 4,6     | 0,61 | 5,4     | 0,71 | 5,8   | 0,77 | 6,1     | 0,82 | 6,9     | 0,94 | 7,6   | 1,06 |
|   | 12                                     | 3,9                                    | 0,51 | 4,6     | 0,62 | 5,4     | 0,73 | 5,8   | 0,78 | 6,1     | 0,84 | 6,9     | 0,96 | 7,6   | 1,08 |
|   | 14                                     | 3,9                                    | 0,52 | 4,6     | 0,63 | 5,4     | 0,74 | 5,8   | 0,8  | 6,1     | 0,86 | 6,9     | 0,97 | 7,6   | 1,1  |
|   | 16                                     | 3,9                                    | 0,53 | 4,6     | 0,64 | 5,4     | 0,75 | 5,8   | 0,81 | 6,1     | 0,87 | 6,9     | 0,99 | 7,6   | 1,12 |
|   | 18                                     | 3,9                                    | 0,54 | 4,6     | 0,65 | 5,4     | 0,77 | 5,8   | 0,83 | 6,1     | 0,89 | 6,9     | 1,01 | 7,6   | 1,14 |
|   | 20                                     | 3,9                                    | 0,55 | 4,6     | 0,66 | 5,4     | 0,78 | 5,8   | 0,84 | 6,1     | 0,91 | 6,9     | 1,05 | 7,6   | 1,22 |
|   | 21                                     | 3,9                                    | 0,56 | 4,6     | 0,67 | 5,4     | 0,79 | 5,8   | 0,85 | 6,1     | 0,93 | 6,9     | 1,09 | 7,6   | 1,27 |
|   | 23                                     | 3,9                                    | 0,57 | 4,6     | 0,68 | 5,4     | 0,83 | 5,8   | 0,91 | 6,1     | 0,99 | 6,9     | 1,17 | 7,6   | 1,36 |
|   | 25                                     | 3,9                                    | 0,58 | 4,6     | 0,73 | 5,4     | 0,89 | 5,8   | 0,97 | 6,1     | 1,06 | 6,9     | 1,25 | 7,6   | 1,45 |
|   | 27                                     | 3,9                                    | 0,62 | 4,6     | 0,77 | 5,4     | 0,94 | 5,8   | 1,03 | 6,1     | 1,13 | 6,9     | 1,33 | 7,6   | 1,56 |
|   | 29                                     | 3,9                                    | 0,66 | 4,6     | 0,82 | 5,4     | 1    | 5,8   | 1,1  | 6,1     | 1,21 | 6,9     | 1,42 | 7,6   | 1,66 |
|   | 31                                     | 3,9                                    | 0,7  | 4,6     | 0,88 | 5,4     | 1,07 | 5,8   | 1,17 | 6,1     | 1,29 | 6,9     | 1,52 | 7,5   | 1,73 |
|   | 33                                     | 3,9                                    | 0,75 | 4,6     | 0,93 | 5,4     | 1,14 | 5,8   | 1,25 | 6,1     | 1,37 | 6,9     | 1,62 | 7,4   | 1,79 |
| 35                                      | 3,9                                    | 0,79                                   | 4,6  | 0,99    | 5,4  | 1,21    | 5,8  | 1,33  | 6,1  | 1,46    | 6,9  | 1,73    | 7,3  | 1,86  |      |
| 37                                      | 3,9                                    | 0,84                                   | 4,6  | 1,05    | 5,4  | 1,29    | 5,8  | 1,42  | 6,1  | 1,55    | 6,9  | 1,84    | 7,2  | 1,92  |      |
| 39                                      | 3,9                                    | 0,89                                   | 4,6  | 1,12    | 5,4  | 1,37    | 5,8  | 1,51  | 6,1  | 1,65    | 6,9  | 1,96    | 7    | 1,99  |      |
| 41                                      | 3,9                                    | 0,91                                   | 4,6  | 1,13    | 5,4  | 1,39    | 5,8  | 1,55  | 6,1  | 1,68    | 6,9  | 2,01    | 7    | 2,02  |      |
| 43                                      | 3,9                                    | 0,93                                   | 4,6  | 1,14    | 5,4  | 1,41    | 5,8  | 1,58  | 6,1  | 1,71    | 6,9  | 2,04    | 7    | 2,05  |      |

kWf = Cooling capacity [kW]  
 kWe = Compressor + Fan power input [kW]  
 DB=Dry bulb  
 WB=Wet bulb

# Performance in Cooling

## MSAN-XMi 80M

| Indoor/<br>Outdoor<br>Capacity<br>Ratio | Outdoor air<br>temperature<br>D.B.(°C) | Indoor air temperature D.B / W.B. (°C) |      |         |      |         |      |       |      |         |      |         |      |       |      |
|---|--|--|------|---------|------|---------|------|-------|------|---------|------|---------|------|-------|------|
|   |  | 20,8/14                                |      | 23,3/16 |      | 25,8/18 |      | 27/19 |      | 28,2/20 |      | 30,7/22 |      | 32/24 |      |
|   |  | kWf                                    | kWe  | kWf     | kWe  | kWf     | kWe  | kWf   | kWe  | kWf     | kWe  | kWf     | kWe  | kWf   | kWe  |
| 70%                                     | -5                                     | 3,4                                    | 0,4  | 4,1     | 0,47 | 4,7     | 0,54 | 5     | 0,58 | 5,4     | 0,61 | 6       | 0,7  | 6,7   | 0,81 |
|   | -2                                     | 3,4                                    | 0,41 | 4,1     | 0,48 | 4,7     | 0,54 | 5     | 0,59 | 5,4     | 0,63 | 6       | 0,71 | 6,7   | 0,82 |
|   | 0                                      | 3,4                                    | 0,41 | 4,1     | 0,48 | 4,7     | 0,55 | 5     | 0,6  | 5,4     | 0,64 | 6       | 0,73 | 6,7   | 0,83 |
|   | 2                                      | 3,4                                    | 0,41 | 4,1     | 0,48 | 4,7     | 0,56 | 5     | 0,61 | 5,4     | 0,65 | 6       | 0,74 | 6,7   | 0,84 |
|   | 4                                      | 3,4                                    | 0,42 | 4,1     | 0,5  | 4,7     | 0,57 | 5     | 0,62 | 5,4     | 0,66 | 6       | 0,76 | 6,7   | 0,86 |
|   | 6                                      | 3,4                                    | 0,42 | 4,1     | 0,51 | 4,7     | 0,59 | 5     | 0,64 | 5,4     | 0,68 | 6       | 0,77 | 6,7   | 0,88 |
|   | 8                                      | 3,4                                    | 0,43 | 4,1     | 0,52 | 4,7     | 0,6  | 5     | 0,65 | 5,4     | 0,69 | 6       | 0,79 | 6,7   | 0,9  |
|   | 10                                     | 3,4                                    | 0,44 | 4,1     | 0,53 | 4,7     | 0,62 | 5     | 0,66 | 5,4     | 0,71 | 6       | 0,81 | 6,7   | 0,91 |
|   | 12                                     | 3,4                                    | 0,45 | 4,1     | 0,54 | 4,7     | 0,63 | 5     | 0,68 | 5,4     | 0,72 | 6       | 0,82 | 6,7   | 0,93 |
|   | 14                                     | 3,4                                    | 0,46 | 4,1     | 0,55 | 4,7     | 0,64 | 5     | 0,69 | 5,4     | 0,74 | 6       | 0,84 | 6,7   | 0,94 |
|   | 16                                     | 3,4                                    | 0,47 | 4,1     | 0,56 | 4,7     | 0,65 | 5     | 0,7  | 5,4     | 0,75 | 6       | 0,85 | 6,7   | 0,96 |
|   | 18                                     | 3,4                                    | 0,47 | 4,1     | 0,57 | 4,7     | 0,66 | 5     | 0,71 | 5,4     | 0,76 | 6       | 0,87 | 6,7   | 0,98 |
|   | 20                                     | 3,4                                    | 0,48 | 4,1     | 0,58 | 4,7     | 0,68 | 5     | 0,73 | 5,4     | 0,78 | 6       | 0,89 | 6,7   | 1,01 |
|   | 21                                     | 3,4                                    | 0,49 | 4,1     | 0,58 | 4,7     | 0,68 | 5     | 0,73 | 5,4     | 0,79 | 6       | 0,9  | 6,7   | 1,04 |
|   | 23                                     | 3,4                                    | 0,49 | 4,1     | 0,59 | 4,7     | 0,7  | 5     | 0,76 | 5,4     | 0,83 | 6       | 0,96 | 6,7   | 1,12 |
|   | 25                                     | 3,4                                    | 0,5  | 4,1     | 0,62 | 4,7     | 0,74 | 5     | 0,81 | 5,4     | 0,88 | 6       | 1,03 | 6,7   | 1,19 |
|   | 27                                     | 3,4                                    | 0,53 | 4,1     | 0,66 | 4,7     | 0,79 | 5     | 0,86 | 5,4     | 0,94 | 6       | 1,1  | 6,7   | 1,28 |
|   | 29                                     | 3,4                                    | 0,57 | 4,1     | 0,7  | 4,7     | 0,84 | 5     | 0,92 | 5,4     | 1    | 6       | 1,17 | 6,7   | 1,36 |
|   | 31                                     | 3,4                                    | 0,6  | 4,1     | 0,74 | 4,7     | 0,9  | 5     | 0,98 | 5,4     | 1,06 | 6       | 1,25 | 6,7   | 1,45 |
|   | 33                                     | 3,4                                    | 0,64 | 4,1     | 0,79 | 4,7     | 0,95 | 5     | 1,04 | 5,4     | 1,13 | 6       | 1,33 | 6,7   | 1,55 |
| 35                                      | 3,4                                    | 0,67                                   | 4,1  | 0,83    | 4,7  | 1,01    | 5    | 1,11  | 5,4  | 1,21    | 6    | 1,42    | 6,7  | 1,65  |      |
| 37                                      | 3,4                                    | 0,71                                   | 4,1  | 0,88    | 4,7  | 1,07    | 5    | 1,17  | 5,4  | 1,28    | 6    | 1,51    | 6,7  | 1,76  |      |
| 39                                      | 3,4                                    | 0,75                                   | 4,1  | 0,94    | 4,7  | 1,14    | 5    | 1,25  | 5,4  | 1,36    | 6    | 1,61    | 6,7  | 1,87  |      |
| 41                                      | 3,4                                    | 0,79                                   | 4,1  | 0,97    | 4,7  | 1,17    | 5    | 1,29  | 5,4  | 1,41    | 6    | 1,67    | 6,7  | 1,96  |      |
| 43                                      | 3,4                                    | 0,85                                   | 4,1  | 1,03    | 4,7  | 1,22    | 5    | 1,36  | 5,4  | 1,45    | 6    | 1,74    | 6,7  | 2,02  |      |
| 60%                                     | -5                                     | 2,9                                    | 0,34 | 3,5     | 0,4  | 4       | 0,47 | 4,3   | 0,5  | 4,6     | 0,54 | 5,2     | 0,6  | 5,7   | 0,69 |
|   | -2                                     | 2,9                                    | 0,35 | 3,5     | 0,41 | 4       | 0,47 | 4,3   | 0,5  | 4,6     | 0,54 | 5,2     | 0,61 | 5,7   | 0,69 |
|   | 0                                      | 2,9                                    | 0,35 | 3,5     | 0,41 | 4       | 0,48 | 4,3   | 0,51 | 4,6     | 0,55 | 5,2     | 0,62 | 5,7   | 0,7  |
|   | 2                                      | 2,9                                    | 0,36 | 3,5     | 0,42 | 4       | 0,49 | 4,3   | 0,52 | 4,6     | 0,56 | 5,2     | 0,63 | 5,7   | 0,71 |
|   | 4                                      | 2,9                                    | 0,37 | 3,5     | 0,43 | 4       | 0,5  | 4,3   | 0,53 | 4,6     | 0,57 | 5,2     | 0,64 | 5,7   | 0,72 |
|   | 6                                      | 2,9                                    | 0,37 | 3,5     | 0,44 | 4       | 0,51 | 4,3   | 0,54 | 4,6     | 0,58 | 5,2     | 0,66 | 5,7   | 0,74 |
|   | 8                                      | 2,9                                    | 0,38 | 3,5     | 0,44 | 4       | 0,52 | 4,3   | 0,55 | 4,6     | 0,59 | 5,2     | 0,67 | 5,7   | 0,75 |
|   | 10                                     | 2,9                                    | 0,39 | 3,5     | 0,45 | 4       | 0,53 | 4,3   | 0,56 | 4,6     | 0,6  | 5,2     | 0,68 | 5,7   | 0,76 |
|   | 12                                     | 2,9                                    | 0,39 | 3,5     | 0,46 | 4       | 0,54 | 4,3   | 0,57 | 4,6     | 0,61 | 5,2     | 0,69 | 5,7   | 0,78 |
|   | 14                                     | 2,9                                    | 0,4  | 3,5     | 0,47 | 4       | 0,54 | 4,3   | 0,58 | 4,6     | 0,62 | 5,2     | 0,71 | 5,7   | 0,79 |
|   | 16                                     | 2,9                                    | 0,4  | 3,5     | 0,48 | 4       | 0,55 | 4,3   | 0,59 | 4,6     | 0,63 | 5,2     | 0,72 | 5,7   | 0,81 |
|   | 18                                     | 2,9                                    | 0,41 | 3,5     | 0,48 | 4       | 0,56 | 4,3   | 0,6  | 4,6     | 0,65 | 5,2     | 0,73 | 5,7   | 0,82 |
|   | 20                                     | 2,9                                    | 0,42 | 3,5     | 0,49 | 4       | 0,57 | 4,3   | 0,62 | 4,6     | 0,66 | 5,2     | 0,75 | 5,7   | 0,84 |
|   | 21                                     | 2,9                                    | 0,42 | 3,5     | 0,5  | 4       | 0,58 | 4,3   | 0,62 | 4,6     | 0,66 | 5,2     | 0,75 | 5,7   | 0,85 |
|   | 23                                     | 2,9                                    | 0,43 | 3,5     | 0,51 | 4       | 0,59 | 4,3   | 0,63 | 4,6     | 0,68 | 5,2     | 0,78 | 5,7   | 0,9  |
|   | 25                                     | 2,9                                    | 0,43 | 3,5     | 0,51 | 4       | 0,61 | 4,3   | 0,66 | 4,6     | 0,72 | 5,2     | 0,84 | 5,7   | 0,96 |
|   | 27                                     | 2,9                                    | 0,45 | 3,5     | 0,55 | 4       | 0,65 | 4,3   | 0,71 | 4,6     | 0,77 | 5,2     | 0,89 | 5,7   | 1,02 |
|   | 29                                     | 2,9                                    | 0,48 | 3,5     | 0,58 | 4       | 0,69 | 4,3   | 0,75 | 4,6     | 0,82 | 5,2     | 0,95 | 5,7   | 1,09 |
|   | 31                                     | 2,9                                    | 0,51 | 3,5     | 0,61 | 4       | 0,74 | 4,3   | 0,8  | 4,6     | 0,87 | 5,2     | 1,01 | 5,7   | 1,16 |
|   | 33                                     | 2,9                                    | 0,53 | 3,5     | 0,65 | 4       | 0,78 | 4,3   | 0,85 | 4,6     | 0,92 | 5,2     | 1,07 | 5,7   | 1,24 |
| 35                                      | 2,9                                    | 0,57                                   | 3,5  | 0,69    | 4    | 0,83    | 4,3  | 0,9   | 4,6  | 0,98    | 5,2  | 1,14    | 5,7  | 1,32  |      |
| 37                                      | 2,9                                    | 0,6                                    | 3,5  | 0,73    | 4    | 0,88    | 4,3  | 0,96  | 4,6  | 1,04    | 5,2  | 1,22    | 5,7  | 1,41  |      |
| 39                                      | 2,9                                    | 0,63                                   | 3,5  | 0,77    | 4    | 0,93    | 4,3  | 1,01  | 4,6  | 1,1     | 5,2  | 1,29    | 5,7  | 1,5   |      |
| 41                                      | 2,9                                    | 0,65                                   | 3,5  | 0,81    | 4    | 0,96    | 4,3  | 1,06  | 4,6  | 1,15    | 5,2  | 1,35    | 5,7  | 1,56  |      |
| 43                                      | 2,9                                    | 0,67                                   | 3,5  | 0,84    | 4    | 1       | 4,3  | 1,09  | 4,6  | 1,18    | 5,2  | 1,41    | 5,7  | 1,63  |      |

kWf = Cooling capacity [kW]  
 kWe = Compressor + Fan power input [kW]  
 DB=Dry bulb  
 WB=Wet bulb



# Performance in Cooling

## MSAN-XMi 80M

| Indoor/<br>Outdoor<br>Capacity<br>Ratio | Outdoor air<br>temperature<br>D.B.(°C) | Indoor air temperature D.B / W.B. (°C) |      |         |      |         |      |       |      |         |      |         |      |       |      |
|---|--|--|------|---------|------|---------|------|-------|------|---------|------|---------|------|-------|------|
|   |  | 20,8/14                                |      | 23,3/16 |      | 25,8/18 |      | 27/19 |      | 28,2/20 |      | 30,7/22 |      | 32/24 |      |
|   |  | kWf                                    | kWe  | kWf     | kWe  | kWf     | kWe  | kWf   | kWe  | kWf     | kWe  | kWf     | kWe  | kWf   | kWe  |
| 50%                                     | -5                                     | 2,4                                    | 0,3  | 2,9     | 0,35 | 3,4     | 0,4  | 3,6   | 0,42 | 3,8     | 0,44 | 4,3     | 0,5  | 4,8   | 0,54 |
|   | -2                                     | 2,4                                    | 0,3  | 2,9     | 0,35 | 3,4     | 0,4  | 3,6   | 0,42 | 3,8     | 0,45 | 4,3     | 0,51 | 4,8   | 0,55 |
|   | 0                                      | 2,4                                    | 0,31 | 2,9     | 0,36 | 3,4     | 0,41 | 3,6   | 0,43 | 3,8     | 0,45 | 4,3     | 0,51 | 4,8   | 0,56 |
|   | 2                                      | 2,4                                    | 0,31 | 2,9     | 0,36 | 3,4     | 0,42 | 3,6   | 0,43 | 3,8     | 0,46 | 4,3     | 0,52 | 4,8   | 0,57 |
|   | 4                                      | 2,4                                    | 0,31 | 2,9     | 0,37 | 3,4     | 0,42 | 3,6   | 0,44 | 3,8     | 0,47 | 4,3     | 0,53 | 4,8   | 0,58 |
|   | 6                                      | 2,4                                    | 0,32 | 2,9     | 0,38 | 3,4     | 0,43 | 3,6   | 0,45 | 3,8     | 0,48 | 4,3     | 0,54 | 4,8   | 0,6  |
|   | 8                                      | 2,4                                    | 0,33 | 2,9     | 0,38 | 3,4     | 0,43 | 3,6   | 0,46 | 3,8     | 0,48 | 4,3     | 0,55 | 4,8   | 0,62 |
|   | 10                                     | 2,4                                    | 0,33 | 2,9     | 0,39 | 3,4     | 0,44 | 3,6   | 0,47 | 3,8     | 0,5  | 4,3     | 0,56 | 4,8   | 0,63 |
|   | 12                                     | 2,4                                    | 0,34 | 2,9     | 0,39 | 3,4     | 0,45 | 3,6   | 0,48 | 3,8     | 0,51 | 4,3     | 0,57 | 4,8   | 0,64 |
|   | 14                                     | 2,4                                    | 0,34 | 2,9     | 0,4  | 3,4     | 0,45 | 3,6   | 0,49 | 3,8     | 0,52 | 4,3     | 0,58 | 4,8   | 0,65 |
|   | 16                                     | 2,4                                    | 0,35 | 2,9     | 0,4  | 3,4     | 0,46 | 3,6   | 0,49 | 3,8     | 0,52 | 4,3     | 0,59 | 4,8   | 0,66 |
|   | 18                                     | 2,4                                    | 0,35 | 2,9     | 0,41 | 3,4     | 0,47 | 3,6   | 0,5  | 3,8     | 0,53 | 4,3     | 0,6  | 4,8   | 0,67 |
|   | 20                                     | 2,4                                    | 0,36 | 2,9     | 0,41 | 3,4     | 0,48 | 3,6   | 0,51 | 3,8     | 0,54 | 4,3     | 0,61 | 4,8   | 0,68 |
|   | 21                                     | 2,4                                    | 0,36 | 2,9     | 0,42 | 3,4     | 0,48 | 3,6   | 0,51 | 3,8     | 0,55 | 4,3     | 0,62 | 4,8   | 0,69 |
|   | 23                                     | 2,4                                    | 0,36 | 2,9     | 0,42 | 3,4     | 0,49 | 3,6   | 0,52 | 3,8     | 0,56 | 4,3     | 0,63 | 4,8   | 0,71 |
|   | 25                                     | 2,4                                    | 0,37 | 2,9     | 0,43 | 3,4     | 0,5  | 3,6   | 0,53 | 3,8     | 0,58 | 4,3     | 0,66 | 4,8   | 0,75 |
|   | 27                                     | 2,4                                    | 0,38 | 2,9     | 0,45 | 3,4     | 0,53 | 3,6   | 0,57 | 3,8     | 0,61 | 4,3     | 0,7  | 4,8   | 0,8  |
|   | 29                                     | 2,4                                    | 0,4  | 2,9     | 0,47 | 3,4     | 0,56 | 3,6   | 0,6  | 3,8     | 0,65 | 4,3     | 0,75 | 4,8   | 0,86 |
|   | 31                                     | 2,4                                    | 0,42 | 2,9     | 0,5  | 3,4     | 0,59 | 3,6   | 0,64 | 3,8     | 0,69 | 4,3     | 0,8  | 4,8   | 0,91 |
|   | 33                                     | 2,4                                    | 0,44 | 2,9     | 0,53 | 3,4     | 0,63 | 3,6   | 0,68 | 3,8     | 0,73 | 4,3     | 0,85 | 4,8   | 0,97 |
| 35                                      | 2,4                                    | 0,47                                   | 2,9  | 0,56    | 3,4  | 0,66    | 3,6  | 0,72  | 3,8  | 0,78    | 4,3  | 0,9     | 4,8  | 1,03  |      |
| 37                                      | 2,4                                    | 0,49                                   | 2,9  | 0,59    | 3,4  | 0,7     | 3,6  | 0,76  | 3,8  | 0,82    | 4,3  | 0,95    | 4,8  | 1,09  |      |
| 39                                      | 2,4                                    | 0,52                                   | 2,9  | 0,63    | 3,4  | 0,74    | 3,6  | 0,81  | 3,8  | 0,87    | 4,3  | 1,01    | 4,8  | 1,16  |      |
| 41                                      | 2,4                                    | 0,54                                   | 2,9  | 0,65    | 3,4  | 0,77    | 3,6  | 0,84  | 3,8  | 0,91    | 4,3  | 1,06    | 4,8  | 1,21  |      |
| 43                                      | 2,4                                    | 0,58                                   | 2,9  | 0,7     | 3,4  | 0,8     | 3,6  | 0,88  | 3,8  | 0,93    | 4,3  | 1,12    | 4,8  | 1,27  |      |

kWf = Cooling capacity [kW]  
kWe = Compressor + Fan power input [kW]  
DB=Dry bulb  
WB=Wet bulb

Notes:  
It is recommended to have system with Indoor/Outdoor Capacity Ratio less than 130%  
Avoid running the unit in cooling mode when outdoor air temperature is above 43°C DB  
The above capacity tables show the average values in operating conditions

# Performance in Cooling

## MSAN-XMi 105M

| Indoor/<br>Outdoor<br>Capacity<br>Ratio | Outdoor air<br>temperature<br>D.B.(°C) | Indoor air temperature D.B / W.B. (°C) |      |         |      |         |      |       |      |         |      |         |      |       |      |
|---|--|--|------|---------|------|---------|------|-------|------|---------|------|---------|------|-------|------|
|   |  | 20,8/14                                |      | 23,3/16 |      | 25,8/18 |      | 27/19 |      | 28,2/20 |      | 30,7/22 |      | 32/24 |      |
|   |  | kWf                                    | kWe  | kWf     | kWe  | kWf     | kWe  | kWf   | kWe  | kWf     | kWe  | kWf     | kWe  | kWf   | kWe  |
| 130%                                    | -5                                     | 7,9                                    | 0,94 | 9,4     | 1,15 | 10,9    | 1,23 | 11,3  | 1,28 | 11,9    | 1,32 | 12,2    | 1,43 | 12,5  | 1,44 |
|   | -2                                     | 7,9                                    | 0,94 | 9,4     | 1,17 | 10,9    | 1,23 | 11,3  | 1,29 | 11,9    | 1,32 | 12,2    | 1,45 | 12,5  | 1,45 |
|   | 0                                      | 7,9                                    | 0,96 | 9,4     | 1,19 | 10,9    | 1,28 | 11,3  | 1,36 | 11,9    | 1,39 | 12,2    | 1,47 | 12,5  | 1,47 |
|   | 2                                      | 7,9                                    | 0,97 | 9,4     | 1,19 | 10,9    | 1,32 | 11,3  | 1,43 | 11,9    | 1,41 | 12,2    | 1,48 | 12,5  | 1,5  |
|   | 4                                      | 7,9                                    | 1    | 9,4     | 1,22 | 10,9    | 1,36 | 11,3  | 1,44 | 11,9    | 1,43 | 12,2    | 1,5  | 12,5  | 1,52 |
|   | 6                                      | 7,9                                    | 1,01 | 9,4     | 1,24 | 10,9    | 1,41 | 11,3  | 1,45 | 11,8    | 1,47 | 12      | 1,52 | 12,4  | 1,54 |
|   | 8                                      | 7,9                                    | 1,04 | 9,4     | 1,27 | 10,9    | 1,49 | 11,3  | 1,52 | 11,6    | 1,52 | 11,9    | 1,53 | 12,2  | 1,55 |
|   | 10                                     | 7,9                                    | 1,06 | 9,4     | 1,3  | 10,9    | 1,54 | 11,3  | 1,57 | 11,5    | 1,55 | 11,8    | 1,55 | 12,1  | 1,6  |
|   | 12                                     | 7,9                                    | 1,08 | 9,4     | 1,32 | 10,9    | 1,57 | 11,2  | 1,6  | 11,3    | 1,57 | 11,6    | 1,58 | 11,9  | 1,61 |
|   | 14                                     | 7,9                                    | 1,1  | 9,4     | 1,35 | 10,9    | 1,6  | 11,1  | 1,62 | 11,2    | 1,59 | 11,5    | 1,6  | 11,8  | 1,64 |
|   | 16                                     | 7,9                                    | 1,12 | 9,4     | 1,37 | 10,8    | 1,62 | 10,9  | 1,64 | 11      | 1,64 | 11,3    | 1,62 | 11,6  | 1,67 |
|   | 18                                     | 7,9                                    | 1,14 | 9,4     | 1,4  | 10,6    | 1,64 | 10,7  | 1,65 | 10,9    | 1,66 | 11,2    | 1,68 | 11,5  | 1,69 |
|   | 20                                     | 7,9                                    | 1,17 | 9,4     | 1,49 | 10,4    | 1,72 | 10,6  | 1,73 | 10,7    | 1,74 | 11      | 1,76 | 11,3  | 1,78 |
|   | 21                                     | 7,9                                    | 1,2  | 9,4     | 1,54 | 10,4    | 1,76 | 10,5  | 1,77 | 10,7    | 1,78 | 11      | 1,8  | 11,2  | 1,82 |
|   | 23                                     | 7,9                                    | 1,28 | 9,4     | 1,66 | 10,3    | 1,84 | 10,4  | 1,85 | 10,5    | 1,86 | 10,8    | 1,88 | 11,1  | 1,9  |
|   | 25                                     | 7,9                                    | 1,37 | 9,4     | 1,77 | 10,1    | 1,92 | 10,2  | 1,93 | 10,4    | 1,95 | 10,7    | 1,97 | 11    | 1,98 |
|   | 27                                     | 7,9                                    | 1,46 | 9,4     | 1,9  | 10      | 2,01 | 10,1  | 2,02 | 10,2    | 2,03 | 10,5    | 2,05 | 10,8  | 2,07 |
|   | 29                                     | 7,9                                    | 1,56 | 9,4     | 2,03 | 9,8     | 2,09 | 9,9   | 2,1  | 10,1    | 2,11 | 10,4    | 2,13 | 10,7  | 2,15 |
|   | 31                                     | 7,9                                    | 1,67 | 9,4     | 2,15 | 9,6     | 2,17 | 9,8   | 2,18 | 9,9     | 2,19 | 10,2    | 2,22 | 10,5  | 2,24 |
|   | 33                                     | 7,9                                    | 1,78 | 9,2     | 2,23 | 9,5     | 2,25 | 9,6   | 2,26 | 9,8     | 2,28 | 10,1    | 2,3  | 10,3  | 2,33 |
| 35                                      | 7,9                                    | 1,89                                   | 9,1  | 2,31    | 9,4  | 2,33    | 9,5  | 2,35  | 9,6  | 2,36    | 9,9  | 2,39    | 10,2 | 2,41  |      |
| 37                                      | 7,9                                    | 2,02                                   | 8,9  | 2,39    | 9,2  | 2,42    | 9,4  | 2,43  | 9,5  | 2,45    | 9,8  | 2,47    | 10,1 | 2,5   |      |
| 39                                      | 7,9                                    | 2,15                                   | 8,8  | 2,41    | 9,1  | 2,5     | 9,2  | 2,51  | 9,4  | 2,53    | 9,6  | 2,56    | 9,9  | 2,59  |      |
| 41                                      | 7,9                                    | 2,26                                   | 8,7  | 2,44    | 9    | 2,52    | 9,1  | 2,54  | 9,3  | 2,55    | 9,5  | 2,56    | 9,6  | 2,61  |      |
| 43                                      | 7,9                                    | 2,32                                   | 8,6  | 2,45    | 8,9  | 2,53    | 9,1  | 2,55  | 9,2  | 2,56    | 9,4  | 2,57    | 9,4  | 2,62  |      |
| 120%                                    | -5                                     | 7,3                                    | 0,91 | 8,7     | 1,1  | 10,1    | 1,3  | 10,8  | 1,42 | 11,3    | 1,48 | 11,6    | 1,53 | 11,8  | 1,57 |
|   | -2                                     | 7,3                                    | 0,92 | 8,7     | 1,11 | 10,1    | 1,31 | 10,8  | 1,43 | 11,3    | 1,5  | 11,6    | 1,54 | 11,8  | 1,57 |
|   | 0                                      | 7,3                                    | 0,93 | 8,7     | 1,12 | 10,1    | 1,33 | 10,8  | 1,43 | 11,3    | 1,51 | 11,6    | 1,55 | 11,8  | 1,58 |
|   | 2                                      | 7,3                                    | 0,93 | 8,7     | 1,13 | 10,1    | 1,34 | 10,8  | 1,44 | 11,3    | 1,52 | 11,6    | 1,56 | 11,8  | 1,58 |
|   | 4                                      | 7,3                                    | 0,94 | 8,7     | 1,15 | 10,1    | 1,36 | 10,8  | 1,46 | 11,3    | 1,54 | 11,6    | 1,56 | 11,8  | 1,58 |
|   | 6                                      | 7,3                                    | 0,95 | 8,7     | 1,15 | 10,1    | 1,37 | 10,8  | 1,47 | 11,3    | 1,55 | 11,6    | 1,58 | 11,8  | 1,59 |
|   | 8                                      | 7,3                                    | 0,96 | 8,7     | 1,17 | 10,1    | 1,39 | 10,8  | 1,49 | 11,3    | 1,57 | 11,6    | 1,58 | 11,8  | 1,6  |
|   | 10                                     | 7,3                                    | 0,97 | 8,7     | 1,18 | 10,1    | 1,4  | 10,8  | 1,52 | 11,3    | 1,57 | 11,6    | 1,59 | 11,8  | 1,6  |
|   | 12                                     | 7,3                                    | 0,99 | 8,7     | 1,2  | 10,1    | 1,43 | 10,8  | 1,55 | 11,2    | 1,58 | 11,4    | 1,58 | 11,7  | 1,61 |
|   | 14                                     | 7,3                                    | 1    | 8,7     | 1,23 | 10,1    | 1,46 | 10,8  | 1,58 | 11      | 1,59 | 11,3    | 1,6  | 11,5  | 1,63 |
|   | 16                                     | 7,3                                    | 1,02 | 8,7     | 1,25 | 10,1    | 1,49 | 10,7  | 1,61 | 10,9    | 1,61 | 11,1    | 1,63 | 11,4  | 1,66 |
|   | 18                                     | 7,3                                    | 1,04 | 8,7     | 1,28 | 10,1    | 1,54 | 10,6  | 1,64 | 10,7    | 1,65 | 11      | 1,66 | 11,2  | 1,68 |
|   | 20                                     | 7,3                                    | 1,06 | 8,7     | 1,33 | 10,1    | 1,66 | 10,4  | 1,72 | 10,6    | 1,73 | 10,8    | 1,75 | 11,1  | 1,76 |
|   | 21                                     | 7,3                                    | 1,07 | 8,7     | 1,37 | 10,1    | 1,71 | 10,3  | 1,76 | 10,5    | 1,77 | 10,8    | 1,79 | 11    | 1,8  |
|   | 23                                     | 7,3                                    | 1,15 | 8,7     | 1,47 | 10,1    | 1,84 | 10,2  | 1,84 | 10,3    | 1,85 | 10,6    | 1,87 | 10,9  | 1,88 |
|   | 25                                     | 7,3                                    | 1,22 | 8,7     | 1,57 | 9,9     | 1,92 | 10,1  | 1,92 | 10,2    | 1,93 | 10,5    | 1,95 | 10,7  | 1,97 |
|   | 27                                     | 7,3                                    | 1,31 | 8,7     | 1,68 | 9,8     | 1,99 | 9,9   | 2,01 | 10,1    | 2,01 | 10,3    | 2,03 | 10,6  | 2,05 |
|   | 29                                     | 7,3                                    | 1,39 | 8,7     | 1,8  | 9,6     | 2,07 | 9,8   | 2,09 | 9,9     | 2,1  | 10,2    | 2,12 | 10,4  | 2,14 |
|   | 31                                     | 7,3                                    | 1,49 | 8,7     | 1,92 | 9,5     | 2,16 | 9,6   | 2,17 | 9,8     | 2,18 | 10      | 2,2  | 10,3  | 2,22 |
|   | 33                                     | 7,3                                    | 1,58 | 8,7     | 2,05 | 9,4     | 2,24 | 9,5   | 2,25 | 9,6     | 2,26 | 9,9     | 2,28 | 10,1  | 2,31 |
| 35                                      | 7,3                                    | 1,69                                   | 8,7  | 2,18    | 9,2  | 2,32    | 9,3  | 2,33  | 9,5  | 2,34    | 9,7  | 2,37    | 10   | 2,39  |      |
| 37                                      | 7,3                                    | 1,79                                   | 8,7  | 2,32    | 9,1  | 2,4     | 9,2  | 2,41  | 9,3  | 2,43    | 9,6  | 2,45    | 9,8  | 2,48  |      |
| 39                                      | 7,3                                    | 1,91                                   | 8,6  | 2,46    | 8,9  | 2,48    | 9    | 2,5   | 9,2  | 2,51    | 9,4  | 2,54    | 9,7  | 2,56  |      |
| 41                                      | 7,3                                    | 1,96                                   | 8,6  | 2,47    | 8,8  | 2,5     | 9    | 2,52  | 9,1  | 2,53    | 9,4  | 2,55    | 9,4  | 2,58  |      |
| 43                                      | 7,3                                    | 1,99                                   | 8,5  | 2,49    | 8,8  | 2,52    | 8,9  | 2,53  | 9    | 2,54    | 9,2  | 2,55    | 9,3  | 2,63  |      |

kWf = Cooling capacity [kW]  
 kWe = Compressor + Fan power input [kW]  
 DB=Dry bulb  
 WB=Wet bulb

# Performance in Cooling

## MSAN-XMi 105M

| Indoor/<br>Outdoor<br>Capacity<br>Ratio | Outdoor air<br>temperature<br>D.B.(°C) | Indoor air temperature D.B / W.B. (°C) |      |         |      |         |      |       |      |         |      |         |      |       |      |
|---|--|--|------|---------|------|---------|------|-------|------|---------|------|---------|------|-------|------|
|   |  | 20,8/14                                |      | 23,3/16 |      | 25,8/18 |      | 27/19 |      | 28,2/20 |      | 30,7/22 |      | 32/24 |      |
|   |  | kWf                                    | kWe  | kWf     | kWe  | kWf     | kWe  | kWf   | kWe  | kWf     | kWe  | kWf     | kWe  | kWf   | kWe  |
| 110%                                    | -5                                     | 6,7                                    | 0,79 | 8       | 0,99 | 9,3     | 1,18 | 9,9   | 1,26 | 10,5    | 1,36 | 11,3    | 1,41 | 11,6  | 1,46 |
|   | -2                                     | 6,7                                    | 0,81 | 8       | 1    | 9,3     | 1,19 | 9,9   | 1,28 | 10,5    | 1,37 | 11,3    | 1,43 | 11,6  | 1,46 |
|   | 0                                      | 6,7                                    | 0,82 | 8       | 1,01 | 9,3     | 1,2  | 9,9   | 1,29 | 10,5    | 1,39 | 11,3    | 1,44 | 11,6  | 1,48 |
|   | 2                                      | 6,7                                    | 0,83 | 8       | 1,02 | 9,3     | 1,22 | 9,9   | 1,3  | 10,5    | 1,4  | 11,3    | 1,46 | 11,6  | 1,5  |
|   | 4                                      | 6,7                                    | 0,85 | 8       | 1,03 | 9,3     | 1,23 | 9,9   | 1,32 | 10,5    | 1,42 | 11,3    | 1,48 | 11,6  | 1,51 |
|   | 6                                      | 6,7                                    | 0,86 | 8       | 1,04 | 9,3     | 1,24 | 9,9   | 1,34 | 10,5    | 1,44 | 11,3    | 1,5  | 11,6  | 1,54 |
|   | 8                                      | 6,7                                    | 0,87 | 8       | 1,06 | 9,3     | 1,25 | 9,9   | 1,35 | 10,5    | 1,45 | 11,3    | 1,51 | 11,6  | 1,55 |
|   | 10                                     | 6,7                                    | 0,88 | 8       | 1,07 | 9,3     | 1,27 | 9,9   | 1,37 | 10,5    | 1,48 | 11,3    | 1,52 | 11,6  | 1,57 |
|   | 12                                     | 6,7                                    | 0,9  | 8       | 1,09 | 9,3     | 1,3  | 9,9   | 1,4  | 10,5    | 1,51 | 11,2    | 1,54 | 11,4  | 1,59 |
|   | 14                                     | 6,7                                    | 0,91 | 8       | 1,11 | 9,3     | 1,32 | 9,9   | 1,43 | 10,5    | 1,53 | 11,1    | 1,55 | 11,3  | 1,6  |
|   | 16                                     | 6,7                                    | 0,93 | 8       | 1,13 | 9,3     | 1,35 | 9,9   | 1,45 | 10,5    | 1,57 | 10,9    | 1,57 | 11,2  | 1,62 |
|   | 18                                     | 6,7                                    | 0,95 | 8       | 1,15 | 9,3     | 1,37 | 9,9   | 1,49 | 10,5    | 1,64 | 10,8    | 1,65 | 11    | 1,67 |
|   | 20                                     | 6,7                                    | 0,96 | 8       | 1,18 | 9,3     | 1,45 | 9,9   | 1,61 | 10,4    | 1,72 | 10,6    | 1,73 | 10,9  | 1,75 |
|   | 21                                     | 6,7                                    | 0,97 | 8       | 1,21 | 9,3     | 1,51 | 9,9   | 1,66 | 10,3    | 1,76 | 10,5    | 1,77 | 10,8  | 1,79 |
|   | 23                                     | 6,7                                    | 1,02 | 8       | 1,3  | 9,3     | 1,62 | 9,9   | 1,79 | 10,2    | 1,84 | 10,4    | 1,86 | 10,6  | 1,87 |
|   | 25                                     | 6,7                                    | 1,09 | 8       | 1,39 | 9,3     | 1,73 | 9,9   | 1,91 | 10      | 1,92 | 10,3    | 1,94 | 10,5  | 1,95 |
|   | 27                                     | 6,7                                    | 1,16 | 8       | 1,48 | 9,3     | 1,85 | 9,7   | 1,99 | 9,9     | 2    | 10,1    | 2,02 | 10,4  | 2,04 |
|   | 29                                     | 6,7                                    | 1,24 | 8       | 1,58 | 9,3     | 1,97 | 9,6   | 2,07 | 9,7     | 2,08 | 10      | 2,1  | 10,2  | 2,12 |
|   | 31                                     | 6,7                                    | 1,32 | 8       | 1,69 | 9,3     | 2,11 | 9,5   | 2,15 | 9,6     | 2,16 | 9,8     | 2,18 | 10,1  | 2,2  |
|   | 33                                     | 6,7                                    | 1,4  | 8       | 1,8  | 9,2     | 2,22 | 9,3   | 2,24 | 9,5     | 2,24 | 9,7     | 2,27 | 9,9   | 2,29 |
| 35                                      | 6,7                                    | 1,49                                   | 8    | 1,92    | 9    | 2,3     | 9,2  | 2,32  | 9,3  | 2,33    | 9,5  | 2,35    | 9,8  | 2,37  |      |
| 37                                      | 6,7                                    | 1,59                                   | 8    | 2,04    | 8,9  | 2,39    | 9    | 2,4   | 9,1  | 2,41    | 9,4  | 2,43    | 9,6  | 2,46  |      |
| 39                                      | 6,7                                    | 1,69                                   | 8    | 2,18    | 8,7  | 2,47    | 8,9  | 2,48  | 9    | 2,49    | 9,2  | 2,52    | 9,5  | 2,54  |      |
| 41                                      | 6,7                                    | 1,7                                    | 8    | 2,19    | 8,7  | 2,48    | 8,8  | 2,5   | 8,9  | 2,51    | 9,1  | 2,53    | 9,2  | 2,56  |      |
| 43                                      | 6,7                                    | 1,72                                   | 8    | 2,22    | 8,6  | 2,5     | 8,7  | 2,51  | 8,9  | 2,53    | 9    | 2,54    | 9,1  | 2,61  |      |
| 100%                                    | -5                                     | 6,1                                    | 0,72 | 7,2     | 0,87 | 8,4     | 1,04 | 9     | 1,11 | 9,6     | 1,2  | 10,8    | 1,37 | 11,4  | 1,43 |
|   | -2                                     | 6,1                                    | 0,73 | 7,2     | 0,88 | 8,4     | 1,05 | 9     | 1,13 | 9,6     | 1,22 | 10,8    | 1,39 | 11,4  | 1,44 |
|   | 0                                      | 6,1                                    | 0,74 | 7,2     | 0,89 | 8,4     | 1,06 | 9     | 1,14 | 9,6     | 1,23 | 10,8    | 1,41 | 11,4  | 1,46 |
|   | 2                                      | 6,1                                    | 0,75 | 7,2     | 0,9  | 8,4     | 1,07 | 9     | 1,16 | 9,6     | 1,24 | 10,8    | 1,43 | 11,4  | 1,48 |
|   | 4                                      | 6,1                                    | 0,76 | 7,2     | 0,91 | 8,4     | 1,09 | 9     | 1,18 | 9,6     | 1,26 | 10,8    | 1,44 | 11,4  | 1,5  |
|   | 6                                      | 6,1                                    | 0,77 | 7,2     | 0,93 | 8,4     | 1,1  | 9     | 1,2  | 9,6     | 1,28 | 10,8    | 1,47 | 11,4  | 1,52 |
|   | 8                                      | 6,1                                    | 0,78 | 7,2     | 0,94 | 8,4     | 1,12 | 9     | 1,21 | 9,6     | 1,3  | 10,8    | 1,49 | 11,4  | 1,54 |
|   | 10                                     | 6,1                                    | 0,79 | 7,2     | 0,96 | 8,4     | 1,14 | 9     | 1,23 | 9,6     | 1,32 | 10,8    | 1,51 | 11,4  | 1,57 |
|   | 12                                     | 6,1                                    | 0,81 | 7,2     | 0,98 | 8,4     | 1,16 | 9     | 1,25 | 9,6     | 1,35 | 10,8    | 1,54 | 11,2  | 1,58 |
|   | 14                                     | 6,1                                    | 0,82 | 7,2     | 1    | 8,4     | 1,18 | 9     | 1,28 | 9,6     | 1,37 | 10,8    | 1,57 | 11,1  | 1,6  |
|   | 16                                     | 6,1                                    | 0,84 | 7,2     | 1,02 | 8,4     | 1,21 | 9     | 1,3  | 9,6     | 1,4  | 10,7    | 1,59 | 10,9  | 1,62 |
|   | 18                                     | 6,1                                    | 0,85 | 7,2     | 1,04 | 8,4     | 1,23 | 9     | 1,33 | 9,6     | 1,43 | 10,6    | 1,64 | 10,8  | 1,66 |
|   | 20                                     | 6,1                                    | 0,87 | 7,2     | 1,06 | 8,4     | 1,26 | 9     | 1,39 | 9,6     | 1,53 | 10,4    | 1,72 | 10,6  | 1,74 |
|   | 21                                     | 6,1                                    | 0,88 | 7,2     | 1,07 | 8,4     | 1,31 | 9     | 1,44 | 9,6     | 1,58 | 10,4    | 1,76 | 10,6  | 1,78 |
|   | 23                                     | 6,1                                    | 0,9  | 7,2     | 1,14 | 8,4     | 1,4  | 9     | 1,55 | 9,6     | 1,7  | 10,2    | 1,84 | 10,4  | 1,86 |
|   | 25                                     | 6,1                                    | 0,96 | 7,2     | 1,22 | 8,4     | 1,5  | 9     | 1,66 | 9,6     | 1,82 | 10,1    | 1,92 | 10,3  | 1,94 |
|   | 27                                     | 6,1                                    | 1,02 | 7,2     | 1,3  | 8,4     | 1,61 | 9     | 1,77 | 9,6     | 1,95 | 9,9     | 2    | 10,1  | 2,02 |
|   | 29                                     | 6,1                                    | 1,09 | 7,2     | 1,38 | 8,4     | 1,71 | 9     | 1,89 | 9,5     | 2,07 | 9,8     | 2,09 | 10    | 2,1  |
|   | 31                                     | 6,1                                    | 1,16 | 7,2     | 1,48 | 8,4     | 1,83 | 9     | 2,02 | 9,4     | 2,15 | 9,6     | 2,17 | 9,8   | 2,19 |
|   | 33                                     | 6,1                                    | 1,23 | 7,2     | 1,57 | 8,4     | 1,95 | 9     | 2,16 | 9,3     | 2,23 | 9,5     | 2,25 | 9,7   | 2,27 |
| 35                                      | 6,1                                    | 1,31                                   | 7,2  | 1,67    | 8,4  | 2,08    | 9    | 2,3   | 9,1  | 2,31    | 9,3  | 2,33    | 9,5  | 2,35  |      |
| 37                                      | 6,1                                    | 1,39                                   | 7,2  | 1,78    | 8,4  | 2,22    | 8,8  | 2,38  | 9    | 2,39    | 9,2  | 2,41    | 9,4  | 2,43  |      |
| 39                                      | 6,1                                    | 1,48                                   | 7,2  | 1,89    | 8,4  | 2,36    | 8,7  | 2,46  | 8,8  | 2,47    | 9    | 2,5     | 9,3  | 2,52  |      |
| 41                                      | 6,1                                    | 1,55                                   | 7,2  | 1,96    | 8,4  | 2,45    | 8,6  | 2,48  | 8,7  | 2,51    | 8,9  | 2,55    | 9,1  | 2,57  |      |
| 43                                      | 6,1                                    | 1,62                                   | 7,2  | 2,03    | 8,4  | 2,49    | 8,4  | 2,51  | 8,7  | 2,54    | 8,9  | 2,57    | 9    | 2,6   |      |

kWf = Cooling capacity [kW]  
 kWe = Compressor + Fan power input [kW]  
 DB=Dry bulb  
 WB=Wet bulb

# Performance in Cooling

## MSAN-XMi 105M

| Indoor/<br>Outdoor<br>Capacity<br>Ratio | Outdoor air<br>temperature<br>D.B.(°C) | Indoor air temperature D.B / W.B. (°C) |      |         |      |         |      |       |      |         |      |         |      |       |      |
|---|--|--|------|---------|------|---------|------|-------|------|---------|------|---------|------|-------|------|
|   |  | 20,8/14                                |      | 23,3/16 |      | 25,8/18 |      | 27/19 |      | 28,2/20 |      | 30,7/22 |      | 32/24 |      |
|   |  | kWf                                    | kWe  | kWf     | kWe  | kWf     | kWe  | kWf   | kWe  | kWf     | kWe  | kWf     | kWe  | kWf   | kWe  |
| 90%                                     | -5                                     | 5,5                                    | 0,64 | 6,5     | 0,77 | 7,6     | 0,9  | 8,1   | 0,99 | 8,6     | 1,05 | 9,7     | 1,21 | 10,7  | 1,38 |
|   | -2                                     | 5,5                                    | 0,64 | 6,5     | 0,77 | 7,6     | 0,92 | 8,1   | 1    | 8,6     | 1,06 | 9,7     | 1,22 | 10,7  | 1,4  |
|   | 0                                      | 5,5                                    | 0,65 | 6,5     | 0,78 | 7,6     | 0,93 | 8,1   | 1,01 | 8,6     | 1,08 | 9,7     | 1,23 | 10,7  | 1,41 |
|   | 2                                      | 5,5                                    | 0,66 | 6,5     | 0,79 | 7,6     | 0,94 | 8,1   | 1,03 | 8,6     | 1,09 | 9,7     | 1,26 | 10,7  | 1,43 |
|   | 4                                      | 5,5                                    | 0,67 | 6,5     | 0,81 | 7,6     | 0,96 | 8,1   | 1,04 | 8,6     | 1,11 | 9,7     | 1,28 | 10,7  | 1,45 |
|   | 6                                      | 5,5                                    | 0,68 | 6,5     | 0,82 | 7,6     | 0,97 | 8,1   | 1,06 | 8,6     | 1,13 | 9,7     | 1,3  | 10,7  | 1,47 |
|   | 8                                      | 5,5                                    | 0,7  | 6,5     | 0,84 | 7,6     | 0,99 | 8,1   | 1,07 | 8,6     | 1,15 | 9,7     | 1,32 | 10,7  | 1,49 |
|   | 10                                     | 5,5                                    | 0,71 | 6,5     | 0,86 | 7,6     | 1,01 | 8,1   | 1,09 | 8,6     | 1,17 | 9,7     | 1,34 | 10,7  | 1,51 |
|   | 12                                     | 5,5                                    | 0,72 | 6,5     | 0,87 | 7,6     | 1,03 | 8,1   | 1,11 | 8,6     | 1,19 | 9,7     | 1,36 | 10,7  | 1,54 |
|   | 14                                     | 5,5                                    | 0,73 | 6,5     | 0,89 | 7,6     | 1,05 | 8,1   | 1,13 | 8,6     | 1,22 | 9,7     | 1,39 | 10,7  | 1,57 |
|   | 16                                     | 5,5                                    | 0,75 | 6,5     | 0,9  | 7,6     | 1,07 | 8,1   | 1,15 | 8,6     | 1,24 | 9,7     | 1,42 | 10,7  | 1,59 |
|   | 18                                     | 5,5                                    | 0,76 | 6,5     | 0,92 | 7,6     | 1,09 | 8,1   | 1,17 | 8,6     | 1,26 | 9,7     | 1,44 | 10,6  | 1,64 |
|   | 20                                     | 5,5                                    | 0,77 | 6,5     | 0,94 | 7,6     | 1,11 | 8,1   | 1,2  | 8,6     | 1,31 | 9,7     | 1,55 | 10,4  | 1,72 |
|   | 21                                     | 5,5                                    | 0,78 | 6,5     | 0,95 | 7,6     | 1,13 | 8,1   | 1,24 | 8,6     | 1,36 | 9,7     | 1,61 | 10,4  | 1,76 |
|   | 23                                     | 5,5                                    | 0,8  | 6,5     | 0,99 | 7,6     | 1,21 | 8,1   | 1,33 | 8,6     | 1,46 | 9,7     | 1,73 | 10,2  | 1,84 |
|   | 25                                     | 5,5                                    | 0,84 | 6,5     | 1,05 | 7,6     | 1,29 | 8,1   | 1,42 | 8,6     | 1,56 | 9,7     | 1,85 | 10,1  | 1,92 |
|   | 27                                     | 5,5                                    | 0,89 | 6,5     | 1,12 | 7,6     | 1,38 | 8,1   | 1,52 | 8,6     | 1,66 | 9,7     | 1,98 | 9,9   | 2    |
|   | 29                                     | 5,5                                    | 0,95 | 6,5     | 1,2  | 7,6     | 1,47 | 8,1   | 1,62 | 8,6     | 1,78 | 9,6     | 2,07 | 9,8   | 2,08 |
|   | 31                                     | 5,5                                    | 1,01 | 6,5     | 1,27 | 7,6     | 1,57 | 8,1   | 1,73 | 8,6     | 1,9  | 9,4     | 2,15 | 9,6   | 2,17 |
|   | 33                                     | 5,5                                    | 1,07 | 6,5     | 1,35 | 7,6     | 1,67 | 8,1   | 1,84 | 8,6     | 2,02 | 9,3     | 2,23 | 9,5   | 2,25 |
| 35                                      | 5,5                                    | 1,14                                   | 6,5  | 1,44    | 7,6  | 1,78    | 8,1  | 1,97  | 8,6  | 2,16    | 9,1  | 2,31    | 9,3  | 2,33  |      |
| 37                                      | 5,5                                    | 1,21                                   | 6,5  | 1,53    | 7,6  | 1,9     | 8,1  | 2,09  | 8,6  | 2,3     | 9    | 2,39    | 9,2  | 2,41  |      |
| 39                                      | 5,5                                    | 1,28                                   | 6,5  | 1,63    | 7,6  | 2,02    | 8,1  | 2,23  | 8,6  | 2,45    | 8,8  | 2,48    | 9    | 2,5   |      |
| 41                                      | 5,5                                    | 1,33                                   | 6,5  | 1,7     | 7,6  | 2,09    | 8,1  | 2,29  | 8,6  | 2,46    | 8,8  | 2,54    | 9    | 2,55  |      |
| 43                                      | 5,5                                    | 1,39                                   | 6,5  | 1,78    | 7,6  | 2,17    | 8,1  | 2,35  | 8,6  | 2,52    | 8,7  | 2,57    | 8,9  | 2,59  |      |
| 80%                                     | -5                                     | 4,9                                    | 0,56 | 5,8     | 0,67 | 6,7     | 0,79 | 7,2   | 0,84 | 7,7     | 0,9  | 8,6     | 1,04 | 9,5   | 1,19 |
|   | -2                                     | 4,9                                    | 0,57 | 5,8     | 0,67 | 6,7     | 0,79 | 7,2   | 0,85 | 7,7     | 0,91 | 8,6     | 1,05 | 9,5   | 1,2  |
|   | 0                                      | 4,9                                    | 0,58 | 5,8     | 0,68 | 6,7     | 0,8  | 7,2   | 0,86 | 7,7     | 0,93 | 8,6     | 1,07 | 9,5   | 1,22 |
|   | 2                                      | 4,9                                    | 0,59 | 5,8     | 0,69 | 6,7     | 0,82 | 7,2   | 0,88 | 7,7     | 0,94 | 8,6     | 1,09 | 9,5   | 1,24 |
|   | 4                                      | 4,9                                    | 0,6  | 5,8     | 0,7  | 6,7     | 0,83 | 7,2   | 0,9  | 7,7     | 0,96 | 8,6     | 1,11 | 9,5   | 1,26 |
|   | 6                                      | 4,9                                    | 0,61 | 5,8     | 0,72 | 6,7     | 0,84 | 7,2   | 0,92 | 7,7     | 0,98 | 8,6     | 1,13 | 9,5   | 1,28 |
|   | 8                                      | 4,9                                    | 0,62 | 5,8     | 0,74 | 6,7     | 0,86 | 7,2   | 0,93 | 7,7     | 1    | 8,6     | 1,14 | 9,5   | 1,3  |
|   | 10                                     | 4,9                                    | 0,63 | 5,8     | 0,75 | 6,7     | 0,89 | 7,2   | 0,95 | 7,7     | 1,02 | 8,6     | 1,17 | 9,5   | 1,32 |
|   | 12                                     | 4,9                                    | 0,64 | 5,8     | 0,77 | 6,7     | 0,9  | 7,2   | 0,97 | 7,7     | 1,04 | 8,6     | 1,19 | 9,5   | 1,34 |
|   | 14                                     | 4,9                                    | 0,65 | 5,8     | 0,78 | 6,7     | 0,92 | 7,2   | 0,99 | 7,7     | 1,06 | 8,6     | 1,21 | 9,5   | 1,37 |
|   | 16                                     | 4,9                                    | 0,66 | 5,8     | 0,79 | 6,7     | 0,94 | 7,2   | 1,01 | 7,7     | 1,08 | 8,6     | 1,24 | 9,5   | 1,39 |
|   | 18                                     | 4,9                                    | 0,67 | 5,8     | 0,81 | 6,7     | 0,95 | 7,2   | 1,03 | 7,7     | 1,1  | 8,6     | 1,26 | 9,5   | 1,42 |
|   | 20                                     | 4,9                                    | 0,69 | 5,8     | 0,82 | 6,7     | 0,97 | 7,2   | 1,05 | 7,7     | 1,13 | 8,6     | 1,31 | 9,5   | 1,52 |
|   | 21                                     | 4,9                                    | 0,69 | 5,8     | 0,83 | 6,7     | 0,98 | 7,2   | 1,06 | 7,7     | 1,15 | 8,6     | 1,35 | 9,5   | 1,57 |
|   | 23                                     | 4,9                                    | 0,7  | 5,8     | 0,85 | 6,7     | 1,03 | 7,2   | 1,13 | 7,7     | 1,23 | 8,6     | 1,45 | 9,5   | 1,69 |
|   | 25                                     | 4,9                                    | 0,73 | 5,8     | 0,9  | 6,7     | 1,1  | 7,2   | 1,21 | 7,7     | 1,31 | 8,6     | 1,55 | 9,5   | 1,81 |
|   | 27                                     | 4,9                                    | 0,77 | 5,8     | 0,96 | 6,7     | 1,17 | 7,2   | 1,29 | 7,7     | 1,4  | 8,6     | 1,66 | 9,5   | 1,93 |
|   | 29                                     | 4,9                                    | 0,82 | 5,8     | 1,02 | 6,7     | 1,25 | 7,2   | 1,37 | 7,7     | 1,5  | 8,6     | 1,77 | 9,5   | 2,07 |
|   | 31                                     | 4,9                                    | 0,87 | 5,8     | 1,09 | 6,7     | 1,33 | 7,2   | 1,46 | 7,7     | 1,6  | 8,6     | 1,89 | 9,4   | 2,15 |
|   | 33                                     | 4,9                                    | 0,93 | 5,8     | 1,16 | 6,7     | 1,42 | 7,2   | 1,56 | 7,7     | 1,7  | 8,6     | 2,01 | 9,3   | 2,23 |
| 35                                      | 4,9                                    | 0,98                                   | 5,8  | 1,23    | 6,7  | 1,51    | 7,2  | 1,66  | 7,7  | 1,81    | 8,6  | 2,15    | 9,1  | 2,31  |      |
| 37                                      | 4,9                                    | 1,04                                   | 5,8  | 1,3     | 6,7  | 1,6     | 7,2  | 1,76  | 7,7  | 1,93    | 8,6  | 2,29    | 9    | 2,39  |      |
| 39                                      | 4,9                                    | 1,1                                    | 5,8  | 1,39    | 6,7  | 1,7     | 7,2  | 1,88  | 7,7  | 2,06    | 8,6  | 2,44    | 8,8  | 2,47  |      |
| 41                                      | 4,9                                    | 1,13                                   | 5,8  | 1,4     | 6,7  | 1,73    | 7,2  | 1,93  | 7,7  | 2,09    | 8,6  | 2,5     | 8,8  | 2,52  |      |
| 43                                      | 4,9                                    | 1,16                                   | 5,8  | 1,42    | 6,7  | 1,75    | 7,2  | 1,96  | 7,7  | 2,12    | 8,6  | 2,53    | 8,7  | 2,54  |      |

kWf = Cooling capacity [kW]  
 kWe = Compressor + Fan power input [kW]  
 DB=Dry bulb  
 WB=Wet bulb

# Performance in Cooling

## MSAN-XMi 105M

| Indoor/<br>Outdoor<br>Capacity<br>Ratio | Outdoor air<br>temperature<br>D.B.(°C) | Indoor air temperature D.B / W.B. (°C) |      |         |      |         |      |       |      |         |      |         |      |       |      |
|---|--|--|------|---------|------|---------|------|-------|------|---------|------|---------|------|-------|------|
|   |  | 20,8/14                                |      | 23,3/16 |      | 25,8/18 |      | 27/19 |      | 28,2/20 |      | 30,7/22 |      | 32/24 |      |
|   |  | kWf                                    | kWe  | kWf     | kWe  | kWf     | kWe  | kWf   | kWe  | kWf     | kWe  | kWf     | kWe  | kWf   | kWe  |
| 70%                                     | -5                                     | 4,2                                    | 0,5  | 5,1     | 0,59 | 5,9     | 0,67 | 6,3   | 0,72 | 6,7     | 0,76 | 7,5     | 0,87 | 8,4   | 1    |
|   | -2                                     | 4,2                                    | 0,51 | 5,1     | 0,59 | 5,9     | 0,67 | 6,3   | 0,73 | 6,7     | 0,78 | 7,5     | 0,89 | 8,4   | 1,02 |
|   | 0                                      | 4,2                                    | 0,51 | 5,1     | 0,6  | 5,9     | 0,69 | 6,3   | 0,74 | 6,7     | 0,79 | 7,5     | 0,91 | 8,4   | 1,03 |
|   | 2                                      | 4,2                                    | 0,51 | 5,1     | 0,6  | 5,9     | 0,7  | 6,3   | 0,76 | 6,7     | 0,81 | 7,5     | 0,92 | 8,4   | 1,05 |
|   | 4                                      | 4,2                                    | 0,52 | 5,1     | 0,62 | 5,9     | 0,71 | 6,3   | 0,77 | 6,7     | 0,82 | 7,5     | 0,94 | 8,4   | 1,07 |
|   | 6                                      | 4,2                                    | 0,53 | 5,1     | 0,63 | 5,9     | 0,73 | 6,3   | 0,8  | 6,7     | 0,84 | 7,5     | 0,96 | 8,4   | 1,09 |
|   | 8                                      | 4,2                                    | 0,54 | 5,1     | 0,65 | 5,9     | 0,75 | 6,3   | 0,81 | 6,7     | 0,86 | 7,5     | 0,98 | 8,4   | 1,11 |
|   | 10                                     | 4,2                                    | 0,55 | 5,1     | 0,66 | 5,9     | 0,77 | 6,3   | 0,82 | 6,7     | 0,88 | 7,5     | 1    | 8,4   | 1,13 |
|   | 12                                     | 4,2                                    | 0,56 | 5,1     | 0,67 | 5,9     | 0,78 | 6,3   | 0,84 | 6,7     | 0,9  | 7,5     | 1,02 | 8,4   | 1,15 |
|   | 14                                     | 4,2                                    | 0,57 | 5,1     | 0,68 | 5,9     | 0,79 | 6,3   | 0,85 | 6,7     | 0,91 | 7,5     | 1,04 | 8,4   | 1,17 |
|   | 16                                     | 4,2                                    | 0,58 | 5,1     | 0,69 | 5,9     | 0,81 | 6,3   | 0,87 | 6,7     | 0,93 | 7,5     | 1,06 | 8,4   | 1,19 |
|   | 18                                     | 4,2                                    | 0,59 | 5,1     | 0,7  | 5,9     | 0,82 | 6,3   | 0,89 | 6,7     | 0,95 | 7,5     | 1,08 | 8,4   | 1,22 |
|   | 20                                     | 4,2                                    | 0,6  | 5,1     | 0,72 | 5,9     | 0,84 | 6,3   | 0,9  | 6,7     | 0,97 | 7,5     | 1,1  | 8,4   | 1,25 |
|   | 21                                     | 4,2                                    | 0,6  | 5,1     | 0,72 | 5,9     | 0,85 | 6,3   | 0,91 | 6,7     | 0,98 | 7,5     | 1,12 | 8,4   | 1,3  |
|   | 23                                     | 4,2                                    | 0,61 | 5,1     | 0,73 | 5,9     | 0,86 | 6,3   | 0,94 | 6,7     | 1,03 | 7,5     | 1,2  | 8,4   | 1,39 |
|   | 25                                     | 4,2                                    | 0,63 | 5,1     | 0,77 | 5,9     | 0,92 | 6,3   | 1,01 | 6,7     | 1,09 | 7,5     | 1,28 | 8,4   | 1,48 |
|   | 27                                     | 4,2                                    | 0,66 | 5,1     | 0,82 | 5,9     | 0,98 | 6,3   | 1,07 | 6,7     | 1,17 | 7,5     | 1,37 | 8,4   | 1,59 |
|   | 29                                     | 4,2                                    | 0,7  | 5,1     | 0,86 | 5,9     | 1,04 | 6,3   | 1,14 | 6,7     | 1,24 | 7,5     | 1,46 | 8,4   | 1,7  |
|   | 31                                     | 4,2                                    | 0,74 | 5,1     | 0,92 | 5,9     | 1,11 | 6,3   | 1,22 | 6,7     | 1,32 | 7,5     | 1,56 | 8,4   | 1,81 |
|   | 33                                     | 4,2                                    | 0,79 | 5,1     | 0,98 | 5,9     | 1,18 | 6,3   | 1,29 | 6,7     | 1,41 | 7,5     | 1,66 | 8,4   | 1,93 |
| 35                                      | 4,2                                    | 0,84                                   | 5,1  | 1,04    | 5,9  | 1,26    | 6,3  | 1,38  | 6,7  | 1,5     | 7,5  | 1,77    | 8,4  | 2,06  |      |
| 37                                      | 4,2                                    | 0,88                                   | 5,1  | 1,1     | 5,9  | 1,34    | 6,3  | 1,46  | 6,7  | 1,6     | 7,5  | 1,88    | 8,4  | 2,19  |      |
| 39                                      | 4,2                                    | 0,94                                   | 5,1  | 1,16    | 5,9  | 1,42    | 6,3  | 1,55  | 6,7  | 1,7     | 7,5  | 2       | 8,4  | 2,33  |      |
| 41                                      | 4,2                                    | 0,98                                   | 5,1  | 1,2     | 5,9  | 1,46    | 6,3  | 1,6   | 6,7  | 1,75    | 7,5  | 2,08    | 8,4  | 2,43  |      |
| 43                                      | 4,2                                    | 1,06                                   | 5,1  | 1,29    | 5,9  | 1,52    | 6,3  | 1,69  | 6,7  | 1,8     | 7,5  | 2,16    | 8,4  | 2,51  |      |
| 60%                                     | -5                                     | 3,6                                    | 0,43 | 4,3     | 0,5  | 5       | 0,58 | 5,4   | 0,62 | 5,8     | 0,67 | 6,5     | 0,75 | 7,2   | 0,86 |
|   | -2                                     | 3,6                                    | 0,43 | 4,3     | 0,5  | 5       | 0,59 | 5,4   | 0,63 | 5,8     | 0,67 | 6,5     | 0,76 | 7,2   | 0,86 |
|   | 0                                      | 3,6                                    | 0,44 | 4,3     | 0,51 | 5       | 0,6  | 5,4   | 0,63 | 5,8     | 0,68 | 6,5     | 0,77 | 7,2   | 0,88 |
|   | 2                                      | 3,6                                    | 0,45 | 4,3     | 0,52 | 5       | 0,61 | 5,4   | 0,65 | 5,8     | 0,69 | 6,5     | 0,79 | 7,2   | 0,89 |
|   | 4                                      | 3,6                                    | 0,46 | 4,3     | 0,53 | 5       | 0,62 | 5,4   | 0,65 | 5,8     | 0,7  | 6,5     | 0,8  | 7,2   | 0,9  |
|   | 6                                      | 3,6                                    | 0,46 | 4,3     | 0,54 | 5       | 0,63 | 5,4   | 0,67 | 5,8     | 0,72 | 6,5     | 0,81 | 7,2   | 0,92 |
|   | 8                                      | 3,6                                    | 0,47 | 4,3     | 0,55 | 5       | 0,64 | 5,4   | 0,68 | 5,8     | 0,73 | 6,5     | 0,83 | 7,2   | 0,93 |
|   | 10                                     | 3,6                                    | 0,48 | 4,3     | 0,56 | 5       | 0,65 | 5,4   | 0,7  | 5,8     | 0,75 | 6,5     | 0,85 | 7,2   | 0,95 |
|   | 12                                     | 3,6                                    | 0,49 | 4,3     | 0,57 | 5       | 0,67 | 5,4   | 0,71 | 5,8     | 0,76 | 6,5     | 0,86 | 7,2   | 0,96 |
|   | 14                                     | 3,6                                    | 0,5  | 4,3     | 0,58 | 5       | 0,68 | 5,4   | 0,73 | 5,8     | 0,77 | 6,5     | 0,88 | 7,2   | 0,98 |
|   | 16                                     | 3,6                                    | 0,5  | 4,3     | 0,59 | 5       | 0,69 | 5,4   | 0,74 | 5,8     | 0,79 | 6,5     | 0,89 | 7,2   | 1    |
|   | 18                                     | 3,6                                    | 0,51 | 4,3     | 0,6  | 5       | 0,7  | 5,4   | 0,75 | 5,8     | 0,8  | 6,5     | 0,91 | 7,2   | 1,02 |
|   | 20                                     | 3,6                                    | 0,52 | 4,3     | 0,61 | 5       | 0,71 | 5,4   | 0,77 | 5,8     | 0,82 | 6,5     | 0,93 | 7,2   | 1,04 |
|   | 21                                     | 3,6                                    | 0,52 | 4,3     | 0,62 | 5       | 0,72 | 5,4   | 0,77 | 5,8     | 0,82 | 6,5     | 0,94 | 7,2   | 1,05 |
|   | 23                                     | 3,6                                    | 0,53 | 4,3     | 0,63 | 5       | 0,73 | 5,4   | 0,79 | 5,8     | 0,84 | 6,5     | 0,97 | 7,2   | 1,12 |
|   | 25                                     | 3,6                                    | 0,54 | 4,3     | 0,64 | 5       | 0,76 | 5,4   | 0,82 | 5,8     | 0,89 | 6,5     | 1,04 | 7,2   | 1,19 |
|   | 27                                     | 3,6                                    | 0,56 | 4,3     | 0,68 | 5       | 0,81 | 5,4   | 0,88 | 5,8     | 0,95 | 6,5     | 1,11 | 7,2   | 1,27 |
|   | 29                                     | 3,6                                    | 0,59 | 4,3     | 0,72 | 5       | 0,86 | 5,4   | 0,94 | 5,8     | 1,01 | 6,5     | 1,18 | 7,2   | 1,36 |
|   | 31                                     | 3,6                                    | 0,63 | 4,3     | 0,76 | 5       | 0,91 | 5,4   | 0,99 | 5,8     | 1,08 | 6,5     | 1,26 | 7,2   | 1,45 |
|   | 33                                     | 3,6                                    | 0,66 | 4,3     | 0,81 | 5       | 0,97 | 5,4   | 1,06 | 5,8     | 1,15 | 6,5     | 1,34 | 7,2   | 1,54 |
| 35                                      | 3,6                                    | 0,7                                    | 4,3  | 0,86    | 5    | 1,03    | 5,4  | 1,12  | 5,8  | 1,22    | 6,5  | 1,42    | 7,2  | 1,64  |      |
| 37                                      | 3,6                                    | 0,74                                   | 4,3  | 0,91    | 5    | 1,09    | 5,4  | 1,19  | 5,8  | 1,29    | 6,5  | 1,51    | 7,2  | 1,75  |      |
| 39                                      | 3,6                                    | 0,78                                   | 4,3  | 0,96    | 5    | 1,16    | 5,4  | 1,26  | 5,8  | 1,37    | 6,5  | 1,61    | 7,2  | 1,86  |      |
| 41                                      | 3,6                                    | 0,81                                   | 4,3  | 1       | 5    | 1,2     | 5,4  | 1,31  | 5,8  | 1,42    | 6,5  | 1,68    | 7,2  | 1,94  |      |
| 43                                      | 3,6                                    | 0,83                                   | 4,3  | 1,04    | 5    | 1,24    | 5,4  | 1,35  | 5,8  | 1,47    | 6,5  | 1,75    | 7,2  | 2,03  |      |

kWf = Cooling capacity [kW]  
 kWe = Compressor + Fan power input [kW]  
 DB=Dry bulb  
 WB=Wet bulb

# Performance in Cooling

## MSAN-XMi 105M

| Indoor/<br>Outdoor<br>Capacity<br>Ratio | Outdoor air<br>temperature<br>D.B.(°C) | Indoor air temperature D.B / W.B. (°C) |      |         |      |         |      |       |      |         |      |         |      |       |      |
|---|--|--|------|---------|------|---------|------|-------|------|---------|------|---------|------|-------|------|
|   |  | 20,8/14                                |      | 23,3/16 |      | 25,8/18 |      | 27/19 |      | 28,2/20 |      | 30,7/22 |      | 32/24 |      |
|   |  | kWf                                    | kWe  | kWf     | kWe  | kWf     | kWe  | kWf   | kWe  | kWf     | kWe  | kWf     | kWe  | kWf   | kWe  |
| 50%                                     | -5                                     | 3                                      | 0,37 | 3,6     | 0,43 | 4,2     | 0,49 | 4,5   | 0,52 | 4,8     | 0,55 | 5,4     | 0,62 | 6     | 0,67 |
|   | -2                                     | 3                                      | 0,37 | 3,6     | 0,44 | 4,2     | 0,5  | 4,5   | 0,52 | 4,8     | 0,56 | 5,4     | 0,63 | 6     | 0,68 |
|   | 0                                      | 3                                      | 0,38 | 3,6     | 0,45 | 4,2     | 0,51 | 4,5   | 0,53 | 4,8     | 0,56 | 5,4     | 0,64 | 6     | 0,69 |
|   | 2                                      | 3                                      | 0,39 | 3,6     | 0,45 | 4,2     | 0,52 | 4,5   | 0,54 | 4,8     | 0,57 | 5,4     | 0,64 | 6     | 0,7  |
|   | 4                                      | 3                                      | 0,39 | 3,6     | 0,46 | 4,2     | 0,52 | 4,5   | 0,55 | 4,8     | 0,58 | 5,4     | 0,66 | 6     | 0,72 |
|   | 6                                      | 3                                      | 0,4  | 3,6     | 0,47 | 4,2     | 0,53 | 4,5   | 0,56 | 4,8     | 0,59 | 5,4     | 0,67 | 6     | 0,74 |
|   | 8                                      | 3                                      | 0,41 | 3,6     | 0,48 | 4,2     | 0,54 | 4,5   | 0,57 | 4,8     | 0,6  | 5,4     | 0,68 | 6     | 0,77 |
|   | 10                                     | 3                                      | 0,42 | 3,6     | 0,48 | 4,2     | 0,55 | 4,5   | 0,58 | 4,8     | 0,62 | 5,4     | 0,7  | 6     | 0,78 |
|   | 12                                     | 3                                      | 0,42 | 3,6     | 0,49 | 4,2     | 0,56 | 4,5   | 0,59 | 4,8     | 0,63 | 5,4     | 0,71 | 6     | 0,79 |
|   | 14                                     | 3                                      | 0,42 | 3,6     | 0,49 | 4,2     | 0,56 | 4,5   | 0,6  | 4,8     | 0,64 | 5,4     | 0,72 | 6     | 0,81 |
|   | 16                                     | 3                                      | 0,43 | 3,6     | 0,5  | 4,2     | 0,57 | 4,5   | 0,61 | 4,8     | 0,65 | 5,4     | 0,73 | 6     | 0,82 |
|   | 18                                     | 3                                      | 0,44 | 3,6     | 0,51 | 4,2     | 0,58 | 4,5   | 0,62 | 4,8     | 0,66 | 5,4     | 0,75 | 6     | 0,83 |
|   | 20                                     | 3                                      | 0,44 | 3,6     | 0,51 | 4,2     | 0,59 | 4,5   | 0,63 | 4,8     | 0,68 | 5,4     | 0,76 | 6     | 0,85 |
|   | 21                                     | 3                                      | 0,45 | 3,6     | 0,52 | 4,2     | 0,6  | 4,5   | 0,64 | 4,8     | 0,68 | 5,4     | 0,77 | 6     | 0,86 |
|   | 23                                     | 3                                      | 0,45 | 3,6     | 0,53 | 4,2     | 0,61 | 4,5   | 0,65 | 4,8     | 0,69 | 5,4     | 0,78 | 6     | 0,88 |
|   | 25                                     | 3                                      | 0,46 | 3,6     | 0,54 | 4,2     | 0,62 | 4,5   | 0,66 | 4,8     | 0,72 | 5,4     | 0,82 | 6     | 0,94 |
|   | 27                                     | 3                                      | 0,47 | 3,6     | 0,56 | 4,2     | 0,65 | 4,5   | 0,71 | 4,8     | 0,76 | 5,4     | 0,87 | 6     | 1    |
|   | 29                                     | 3                                      | 0,49 | 3,6     | 0,59 | 4,2     | 0,69 | 4,5   | 0,75 | 4,8     | 0,81 | 5,4     | 0,93 | 6     | 1,06 |
|   | 31                                     | 3                                      | 0,52 | 3,6     | 0,62 | 4,2     | 0,73 | 4,5   | 0,8  | 4,8     | 0,86 | 5,4     | 0,99 | 6     | 1,13 |
|   | 33                                     | 3                                      | 0,55 | 3,6     | 0,66 | 4,2     | 0,78 | 4,5   | 0,84 | 4,8     | 0,91 | 5,4     | 1,05 | 6     | 1,2  |
| 35                                      | 3                                      | 0,58                                   | 3,6  | 0,7     | 4,2  | 0,82    | 4,5  | 0,89  | 4,8  | 0,96    | 5,4  | 1,12    | 6    | 1,28  |      |
| 37                                      | 3                                      | 0,61                                   | 3,6  | 0,74    | 4,2  | 0,87    | 4,5  | 0,95  | 4,8  | 1,02    | 5,4  | 1,18    | 6    | 1,36  |      |
| 39                                      | 3                                      | 0,65                                   | 3,6  | 0,78    | 4,2  | 0,92    | 4,5  | 1     | 4,8  | 1,08    | 5,4  | 1,26    | 6    | 1,44  |      |
| 41                                      | 3                                      | 0,67                                   | 3,6  | 0,81    | 4,2  | 0,96    | 4,5  | 1,05  | 4,8  | 1,13    | 5,4  | 1,32    | 6    | 1,51  |      |
| 43                                      | 3                                      | 0,72                                   | 3,6  | 0,87    | 4,2  | 0,99    | 4,5  | 1,09  | 4,8  | 1,16    | 5,4  | 1,39    | 6    | 1,58  |      |

kWf = Cooling capacity [kW]

kWe = Compressor + Fan power input [kW]

DB=Dry bulb

WB=Wet bulb

Notes:

It is recommended to have system with Indoor/Outdoor Capacity Ratio less than 130%

Avoid running the unit in cooling mode when outdoor air temperature is above 43°C DB

The above capacity tables show the average values in operating conditions



# Performance in Cooling

## MSAN-XMi 120M/120T

| Indoor/<br>Outdoor<br>Capacity<br>Ratio | Outdoor air<br>temperature<br>D.B.(°C) | Indoor air temperature D.B / W.B. (°C) |       |         |       |         |       |       |       |         |       |         |       |       |      |
|---|--|--|-------|---------|-------|---------|-------|-------|-------|---------|-------|---------|-------|-------|------|
|   |  | 20,8/14                                |       | 23,3/16 |       | 25,8/18 |       | 27/19 |       | 28,2/20 |       | 30,7/22 |       | 32/24 |      |
|   |  | kWf                                    | kWe   | kWf     | kWe   | kWf     | kWe   | kWf   | kWe   | kWf     | kWe   | kWf     | kWe   | kWf   | kWe  |
| 130%                                    | -5                                     | 10,81                                  | 1,33  | 12,87   | 1,62  | 14,93   | 1,74  | 15,51 | 1,81  | 16,25   | 1,86  | 16,65   | 2,02  | 17,07 | 2,04 |
|   | -2                                     | 10,81                                  | 1,33  | 12,87   | 1,65  | 14,93   | 1,74  | 15,51 | 1,82  | 16,25   | 1,86  | 16,65   | 2,05  | 17,07 | 2,06 |
|   | 0                                      | 10,81                                  | 1,35  | 12,87   | 1,68  | 14,93   | 1,8   | 15,51 | 1,92  | 16,25   | 1,97  | 16,65   | 2,07  | 17,07 | 2,08 |
|   | 2                                      | 10,81                                  | 1,38  | 12,87   | 1,69  | 14,93   | 1,86  | 15,51 | 2,03  | 16,25   | 1,99  | 16,65   | 2,09  | 17,07 | 2,11 |
|   | 4                                      | 10,81                                  | 1,41  | 12,87   | 1,72  | 14,93   | 1,93  | 15,51 | 2,04  | 16,25   | 2,02  | 16,65   | 2,09  | 17,07 | 2,15 |
|   | 6                                      | 10,81                                  | 1,43  | 12,87   | 1,75  | 14,93   | 2     | 15,51 | 2,05  | 16,07   | 2,08  | 16,44   | 2,09  | 16,88 | 2,17 |
|   | 8                                      | 10,81                                  | 1,47  | 12,87   | 1,79  | 14,93   | 2,1   | 15,51 | 2,15  | 15,87   | 2,15  | 16,27   | 3,9   | 16,66 | 2,19 |
|   | 10                                     | 10,81                                  | 1,5   | 12,87   | 1,83  | 14,93   | 2,18  | 15,51 | 2,23  | 15,68   | 4,04  | 16,08   | 4,06  | 16,47 | 2,25 |
|   | 12                                     | 10,81                                  | 1,52  | 12,87   | 1,87  | 14,93   | 2,22  | 15,29 | 4,03  | 15,51   | 4,06  | 15,86   | 4,07  | 16,25 | 2,27 |
|   | 14                                     | 10,81                                  | 1,56  | 12,87   | 1,9   | 14,89   | 4,05  | 15,11 | 4,06  | 15,29   | 4,08  | 15,68   | 4,09  | 16,08 | 2,32 |
|   | 16                                     | 10,81                                  | 1,58  | 12,87   | 1,94  | 14,72   | 4,06  | 14,89 | 4,08  | 15,07   | 4,1   | 15,46   | 4,12  | 15,86 | 2,36 |
|   | 18                                     | 10,81                                  | 1,61  | 12,87   | 1,98  | 14,5    | 2,32  | 14,67 | 2,33  | 14,89   | 2,35  | 15,29   | 2,37  | 15,68 | 2,39 |
|   | 20                                     | 10,81                                  | 1,65  | 12,87   | 2,11  | 14,28   | 2,44  | 14,5  | 2,45  | 14,67   | 2,46  | 15,07   | 2,48  | 15,46 | 2,51 |
|   | 21                                     | 10,81                                  | 1,69  | 12,87   | 2,18  | 14,19   | 2,49  | 14,41 | 2,51  | 14,58   | 2,52  | 14,98   | 2,55  | 15,37 | 2,57 |
|   | 23                                     | 10,81                                  | 1,81  | 12,87   | 2,34  | 14,01   | 2,61  | 14,19 | 2,62  | 14,36   | 2,63  | 14,76   | 2,66  | 15,15 | 2,69 |
|   | 25                                     | 10,81                                  | 1,94  | 12,87   | 2,51  | 13,79   | 2,72  | 13,97 | 2,73  | 14,19   | 2,75  | 14,58   | 2,78  | 14,98 | 2,8  |
|   | 27                                     | 10,81                                  | 2,07  | 12,87   | 2,68  | 13,62   | 2,83  | 13,79 | 2,85  | 13,97   | 2,86  | 14,36   | 2,9   | 14,76 | 2,93 |
|   | 29                                     | 10,81                                  | 2,21  | 12,87   | 2,86  | 13,4    | 2,95  | 13,57 | 2,97  | 13,79   | 2,98  | 14,19   | 3,01  | 14,58 | 3,04 |
|   | 31                                     | 10,81                                  | 2,36  | 12,83   | 3,03  | 13,18   | 3,07  | 13,4  | 3,08  | 13,57   | 3,1   | 13,97   | 3,13  | 14,36 | 3,17 |
|   | 33                                     | 10,81                                  | 2,51  | 12,61   | 3,15  | 13      | 3,18  | 13,18 | 3,2   | 13,4    | 3,22  | 13,79   | 3,25  | 14,14 | 3,29 |
| 35                                      | 10,81                                  | 2,68                                   | 12,39 | 3,26    | 12,78 | 3,3     | 13    | 3,32  | 13,18 | 3,33    | 13,57 | 3,37    | 13,97 | 3,41  |      |
| 37                                      | 10,81                                  | 2,85                                   | 12,21 | 3,38    | 12,61 | 3,42    | 12,78 | 3,43  | 13    | 3,46    | 13,35 | 3,5     | 13,75 | 3,54  |      |
| 39                                      | 10,81                                  | 3,03                                   | 11,99 | 3,41    | 12,39 | 3,53    | 12,61 | 3,55  | 12,78 | 3,57    | 13,18 | 3,61    | 13,57 | 3,66  |      |
| 41                                      | 10,81                                  | 3,19                                   | 11,87 | 3,45    | 12,26 | 3,56    | 12,48 | 3,59  | 12,65 | 3,61    | 13,05 | 3,62    | 13,05 | 3,69  |      |
| 43                                      | 10,81                                  | 3,27                                   | 11,78 | 3,46    | 12,19 | 3,57    | 12,41 | 3,6   | 12,52 | 3,61    | 12,81 | 3,63    | 12,9  | 3,7   |      |
| 120%                                    | -5                                     | 9,97                                   | 1,28  | 11,86   | 1,55  | 13,79   | 1,84  | 14,76 | 2     | 15,46   | 2,09  | 15,81   | 2,16  | 16,17 | 2,21 |
|   | -2                                     | 9,97                                   | 1,3   | 11,86   | 1,57  | 13,79   | 1,86  | 14,76 | 2,02  | 15,46   | 2,11  | 15,81   | 2,17  | 16,17 | 2,22 |
|   | 0                                      | 9,97                                   | 1,31  | 11,86   | 1,58  | 13,79   | 1,88  | 14,76 | 2,02  | 15,46   | 2,13  | 15,81   | 2,19  | 16,17 | 2,23 |
|   | 2                                      | 9,97                                   | 1,31  | 11,86   | 1,6   | 13,79   | 1,89  | 14,76 | 2,04  | 15,46   | 2,14  | 15,81   | 2,2   | 16,17 | 2,23 |
|   | 4                                      | 9,97                                   | 1,32  | 11,86   | 1,62  | 13,79   | 1,92  | 14,76 | 2,06  | 15,46   | 2,17  | 15,81   | 2,21  | 16,17 | 2,24 |
|   | 6                                      | 9,97                                   | 1,34  | 11,86   | 1,63  | 13,79   | 1,94  | 14,76 | 2,08  | 15,46   | 2,19  | 15,81   | 2,23  | 16,17 | 2,24 |
|   | 8                                      | 9,97                                   | 1,35  | 11,86   | 1,65  | 13,79   | 1,97  | 14,76 | 2,11  | 15,46   | 2,22  | 15,81   | 2,23  | 16,17 | 2,25 |
|   | 10                                     | 9,97                                   | 1,37  | 11,86   | 1,67  | 13,79   | 1,98  | 14,76 | 2,15  | 15,46   | 2,22  | 15,81   | 2,24  | 16,17 | 2,26 |
|   | 12                                     | 9,97                                   | 1,39  | 11,86   | 1,7   | 13,79   | 2,02  | 14,76 | 2,19  | 15,24   | 2,23  | 15,59   | 2,23  | 15,95 | 2,28 |
|   | 14                                     | 9,97                                   | 1,42  | 11,86   | 1,73  | 13,79   | 2,06  | 14,76 | 2,23  | 15,02   | 2,24  | 15,42   | 2,26  | 15,77 | 2,31 |
|   | 16                                     | 9,97                                   | 1,45  | 11,86   | 1,77  | 13,79   | 2,1   | 14,67 | 4,1   | 14,85   | 2,27  | 15,2    | 2,3   | 15,55 | 2,34 |
|   | 18                                     | 9,97                                   | 1,47  | 11,86   | 1,8   | 13,79   | 2,17  | 14,45 | 2,32  | 14,63   | 2,33  | 14,98   | 2,35  | 15,37 | 2,37 |
|   | 20                                     | 9,97                                   | 1,5   | 11,86   | 1,87  | 13,79   | 2,34  | 14,28 | 2,44  | 14,45   | 2,44  | 14,8    | 2,47  | 15,16 | 2,49 |
|   | 21                                     | 9,97                                   | 1,52  | 11,86   | 1,94  | 13,79   | 2,42  | 14,14 | 2,49  | 14,32   | 2,5   | 14,72   | 2,52  | 15,07 | 2,55 |
|   | 23                                     | 9,97                                   | 1,62  | 11,86   | 2,08  | 13,79   | 2,59  | 13,97 | 2,6   | 14,14   | 2,62  | 14,5    | 2,64  | 14,85 | 2,66 |
|   | 25                                     | 9,97                                   | 1,73  | 11,86   | 2,23  | 13,57   | 2,71  | 13,75 | 2,72  | 13,93   | 2,73  | 14,32   | 2,75  | 14,67 | 2,78 |
|   | 27                                     | 9,97                                   | 1,85  | 11,86   | 2,38  | 13,4    | 2,82  | 13,57 | 2,83  | 13,75   | 2,85  | 14,1    | 2,87  | 14,45 | 2,9  |
|   | 29                                     | 9,97                                   | 1,97  | 11,86   | 2,54  | 13,18   | 2,93  | 13,35 | 2,95  | 13,53   | 2,96  | 13,88   | 2,99  | 14,28 | 3,02 |
|   | 31                                     | 9,97                                   | 2,1   | 11,86   | 2,71  | 12,96   | 3,05  | 13,18 | 3,06  | 13,35   | 3,08  | 13,71   | 3,11  | 14,06 | 3,14 |
|   | 33                                     | 9,97                                   | 2,24  | 11,86   | 2,89  | 12,78   | 3,16  | 12,96 | 3,18  | 13,13   | 3,19  | 13,49   | 3,23  | 13,84 | 3,26 |
| 35                                      | 9,97                                   | 2,38                                   | 11,86 | 3,08    | 12,56 | 3,28    | 12,74 | 3,29  | 12,96 | 3,31    | 13,31 | 3,35    | 13,66 | 3,38  |      |
| 37                                      | 9,97                                   | 2,54                                   | 11,86 | 3,28    | 12,39 | 3,39    | 12,56 | 3,41  | 12,74 | 3,43    | 13,09 | 3,46    | 13,44 | 3,5   |      |
| 39                                      | 9,97                                   | 2,7                                    | 11,82 | 3,47    | 12,17 | 3,51    | 12,34 | 3,53  | 12,52 | 3,55    | 12,91 | 3,59    | 13,27 | 3,62  |      |
| 41                                      | 9,97                                   | 2,77                                   | 11,72 | 3,49    | 12,07 | 3,53    | 12,25 | 3,56  | 12,42 | 3,57    | 12,82 | 3,6     | 12,88 | 3,65  |      |
| 43                                      | 9,97                                   | 2,81                                   | 11,66 | 3,52    | 11,98 | 3,55    | 12,15 | 3,57  | 12,33 | 3,59    | 12,6  | 3,61    | 12,68 | 3,72  |      |

kWf = Cooling capacity [kW]  
 kWe = Compressor + Fan power input [kW]  
 DB=Dry bulb  
 WB=Wet bulb

# Performance in Cooling

## MSAN-XMi 120M/120T

| Indoor/<br>Outdoor<br>Capacity<br>Ratio | Outdoor air<br>temperature<br>D.B.(°C) | Indoor air temperature D.B / W.B. (°C) |      |         |       |         |       |       |       |         |       |         |       |       |      |
|---|--|--|------|---------|-------|---------|-------|-------|-------|---------|-------|---------|-------|-------|------|
|   |  | 20,8/14                                |      | 23,3/16 |       | 25,8/18 |       | 27/19 |       | 28,2/20 |       | 30,7/22 |       | 32/24 |      |
|   |  | kWf                                    | kWe  | kWf     | kWe   | kWf     | kWe   | kWf   | kWe   | kWf     | kWe   | kWf     | kWe   | kWf   | kWe  |
| 110%                                    | -5                                     | 9,14                                   | 1,12 | 10,9    | 1,39  | 12,65   | 1,66  | 13,53 | 1,79  | 14,41   | 1,92  | 15,51   | 2     | 15,86 | 2,06 |
|   | -2                                     | 9,14                                   | 1,14 | 10,9    | 1,41  | 12,65   | 1,68  | 13,53 | 1,8   | 14,41   | 1,94  | 15,51   | 2,02  | 15,86 | 2,07 |
|   | 0                                      | 9,14                                   | 1,15 | 10,9    | 1,42  | 12,65   | 1,69  | 13,53 | 1,82  | 14,41   | 1,96  | 15,51   | 2,04  | 15,86 | 2,09 |
|   | 2                                      | 9,14                                   | 1,18 | 10,9    | 1,43  | 12,65   | 1,72  | 13,53 | 1,84  | 14,41   | 1,98  | 15,51   | 2,07  | 15,86 | 2,12 |
|   | 4                                      | 9,14                                   | 1,2  | 10,9    | 1,45  | 12,65   | 1,73  | 13,53 | 1,86  | 14,41   | 2,01  | 15,51   | 2,09  | 15,86 | 2,14 |
|   | 6                                      | 9,14                                   | 1,21 | 10,9    | 1,47  | 12,65   | 1,75  | 13,53 | 1,89  | 14,41   | 2,03  | 15,51   | 2,12  | 15,86 | 2,17 |
|   | 8                                      | 9,14                                   | 1,23 | 10,9    | 1,49  | 12,65   | 1,77  | 13,53 | 1,91  | 14,41   | 2,06  | 15,51   | 2,13  | 15,86 | 2,2  |
|   | 10                                     | 9,14                                   | 1,24 | 10,9    | 1,51  | 12,65   | 1,8   | 13,53 | 1,94  | 14,41   | 2,09  | 15,51   | 2,15  | 15,86 | 2,21 |
|   | 12                                     | 9,14                                   | 1,27 | 10,9    | 1,54  | 12,65   | 1,83  | 13,53 | 1,98  | 14,41   | 2,13  | 15,33   | 2,18  | 15,64 | 2,24 |
|   | 14                                     | 9,14                                   | 1,29 | 10,9    | 1,57  | 12,65   | 1,87  | 13,53 | 2,01  | 14,41   | 2,17  | 15,11   | 2,19  | 15,46 | 2,26 |
|   | 16                                     | 9,14                                   | 1,31 | 10,9    | 1,6   | 12,65   | 1,9   | 13,53 | 2,05  | 14,41   | 2,21  | 14,94   | 2,22  | 15,24 | 2,28 |
|   | 18                                     | 9,14                                   | 1,34 | 10,9    | 1,63  | 12,65   | 1,94  | 13,53 | 2,11  | 14,41   | 2,32  | 14,72   | 2,33  | 15,07 | 2,36 |
|   | 20                                     | 9,14                                   | 1,36 | 10,9    | 1,66  | 12,65   | 2,05  | 13,53 | 2,27  | 14,19   | 2,43  | 14,54   | 2,45  | 14,85 | 2,47 |
|   | 21                                     | 9,14                                   | 1,38 | 10,9    | 1,71  | 12,65   | 2,13  | 13,53 | 2,35  | 14,1    | 2,49  | 14,41   | 2,51  | 14,76 | 2,53 |
|   | 23                                     | 9,14                                   | 1,44 | 10,9    | 1,84  | 12,65   | 2,28  | 13,53 | 2,52  | 13,88   | 2,6   | 14,23   | 2,62  | 14,54 | 2,65 |
|   | 25                                     | 9,14                                   | 1,54 | 10,9    | 1,96  | 12,65   | 2,44  | 13,53 | 2,7   | 13,71   | 2,71  | 14,01   | 2,74  | 14,36 | 2,76 |
|   | 27                                     | 9,14                                   | 1,64 | 10,9    | 2,1   | 12,65   | 2,61  | 13,31 | 2,82  | 13,49   | 2,83  | 13,84   | 2,85  | 14,15 | 2,88 |
|   | 29                                     | 9,14                                   | 1,75 | 10,9    | 2,24  | 12,65   | 2,79  | 13,13 | 2,93  | 13,31   | 2,94  | 13,62   | 2,97  | 13,97 | 3    |
|   | 31                                     | 9,14                                   | 1,86 | 10,9    | 2,39  | 12,65   | 2,98  | 12,92 | 3,04  | 13,09   | 3,06  | 13,44   | 3,08  | 13,75 | 3,11 |
|   | 33                                     | 9,14                                   | 1,98 | 10,9    | 2,55  | 12,56   | 3,14  | 12,74 | 3,16  | 12,92   | 3,17  | 13,22   | 3,2   | 13,57 | 3,23 |
| 35                                      | 9,14                                   | 2,11                                   | 10,9 | 2,71    | 12,34 | 3,25    | 12,52 | 3,27  | 12,7  | 3,29    | 13    | 3,32    | 13,36 | 3,35  |      |
| 37                                      | 9,14                                   | 2,24                                   | 10,9 | 2,89    | 12,17 | 3,37    | 12,34 | 3,39  | 12,48 | 3,4     | 12,83 | 3,44    | 13,13 | 3,47  |      |
| 39                                      | 9,14                                   | 2,38                                   | 10,9 | 3,08    | 11,95 | 3,49    | 12,12 | 3,5   | 12,3  | 3,52    | 12,61 | 3,56    | 12,96 | 3,59  |      |
| 41                                      | 9,14                                   | 2,41                                   | 10,9 | 3,1     | 11,86 | 3,51    | 12,03 | 3,53  | 12,21 | 3,55    | 12,45 | 3,58    | 12,57 | 3,62  |      |
| 43                                      | 9,14                                   | 2,43                                   | 10,9 | 3,14    | 11,76 | 3,54    | 11,94 | 3,55  | 12,11 | 3,57    | 12,34 | 3,59    | 12,38 | 3,69  |      |
| 100%                                    | -5                                     | 8,3                                    | 1,02 | 9,88    | 1,23  | 11,51   | 1,46  | 12,3  | 1,57  | 13,09   | 1,7   | 14,72   | 1,94  | 15,55 | 2,02 |
|   | -2                                     | 8,3                                    | 1,03 | 9,88    | 1,24  | 11,51   | 1,48  | 12,3  | 1,6   | 13,09   | 1,72  | 14,72   | 1,96  | 15,55 | 2,03 |
|   | 0                                      | 8,3                                    | 1,04 | 9,88    | 1,26  | 11,51   | 1,5   | 12,3  | 1,62  | 13,09   | 1,74  | 14,72   | 1,99  | 15,55 | 2,06 |
|   | 2                                      | 8,3                                    | 1,06 | 9,88    | 1,27  | 11,51   | 1,51  | 12,3  | 1,64  | 13,09   | 1,76  | 14,72   | 2,02  | 15,55 | 2,09 |
|   | 4                                      | 8,3                                    | 1,07 | 9,88    | 1,29  | 11,51   | 1,53  | 12,3  | 1,66  | 13,09   | 1,78  | 14,72   | 2,04  | 15,55 | 2,11 |
|   | 6                                      | 8,3                                    | 1,09 | 9,88    | 1,31  | 11,51   | 1,55  | 12,3  | 1,69  | 13,09   | 1,81  | 14,72   | 2,07  | 15,55 | 2,15 |
|   | 8                                      | 8,3                                    | 1,11 | 9,88    | 1,33  | 11,51   | 1,58  | 12,3  | 1,71  | 13,09   | 1,84  | 14,72   | 2,1   | 15,55 | 2,18 |
|   | 10                                     | 8,3                                    | 1,12 | 9,88    | 1,36  | 11,51   | 1,61  | 12,3  | 1,74  | 13,09   | 1,87  | 14,72   | 2,14  | 15,55 | 2,21 |
|   | 12                                     | 8,3                                    | 1,14 | 9,88    | 1,38  | 11,51   | 1,64  | 12,3  | 1,77  | 13,09   | 1,91  | 14,72   | 2,18  | 15,33 | 2,23 |
|   | 14                                     | 8,3                                    | 1,16 | 9,88    | 1,41  | 11,51   | 1,67  | 12,3  | 1,8   | 13,09   | 1,94  | 14,72   | 2,22  | 15,15 | 2,26 |
|   | 16                                     | 8,3                                    | 1,18 | 9,88    | 1,44  | 11,51   | 1,7   | 12,3  | 1,84  | 13,09   | 1,98  | 14,63   | 2,25  | 14,94 | 2,28 |
|   | 18                                     | 8,3                                    | 1,2  | 9,88    | 1,46  | 11,51   | 1,73  | 12,3  | 1,87  | 13,09   | 2,02  | 14,45   | 2,32  | 14,76 | 2,34 |
|   | 20                                     | 8,3                                    | 1,23 | 9,88    | 1,49  | 11,51   | 1,79  | 12,3  | 1,97  | 13,09   | 2,16  | 14,23   | 2,43  | 14,54 | 2,45 |
|   | 21                                     | 8,3                                    | 1,24 | 9,88    | 1,51  | 11,51   | 1,85  | 12,3  | 2,04  | 13,09   | 2,24  | 14,15   | 2,49  | 14,45 | 2,51 |
|   | 23                                     | 8,3                                    | 1,27 | 9,88    | 1,61  | 11,51   | 1,98  | 12,3  | 2,19  | 13,09   | 2,4   | 13,97   | 2,6   | 14,23 | 2,62 |
|   | 25                                     | 8,3                                    | 1,35 | 9,88    | 1,72  | 11,51   | 2,12  | 12,3  | 2,34  | 13,09   | 2,57  | 13,75   | 2,72  | 14,06 | 2,74 |
|   | 27                                     | 8,3                                    | 1,45 | 9,88    | 1,83  | 11,51   | 2,27  | 12,3  | 2,51  | 13,09   | 2,75  | 13,53   | 2,83  | 13,84 | 2,86 |
|   | 29                                     | 8,3                                    | 1,54 | 9,88    | 1,95  | 11,51   | 2,42  | 12,3  | 2,68  | 13,05   | 2,92  | 13,35   | 2,95  | 13,66 | 2,97 |
|   | 31                                     | 8,3                                    | 1,64 | 9,88    | 2,08  | 11,51   | 2,58  | 12,3  | 2,86  | 12,87   | 3,04  | 13,14   | 3,06  | 13,44 | 3,09 |
|   | 33                                     | 8,3                                    | 1,74 | 9,88    | 2,22  | 11,51   | 2,76  | 12,3  | 3,05  | 12,65   | 3,15  | 12,96   | 3,18  | 13,27 | 3,21 |
| 35                                      | 8,3                                    | 1,85                                   | 9,88 | 2,36    | 11,51 | 2,94    | 12,3  | 3,25  | 12,43 | 3,26    | 12,74 | 3,29    | 13,05 | 3,32  |      |
| 37                                      | 8,3                                    | 1,97                                   | 9,88 | 2,51    | 11,51 | 3,13    | 12,08 | 3,36  | 12,26 | 3,38    | 12,56 | 3,41    | 12,83 | 3,44  |      |
| 39                                      | 8,3                                    | 2,09                                   | 9,88 | 2,67    | 11,51 | 3,33    | 11,9  | 3,48  | 12,04 | 3,5     | 12,34 | 3,53    | 12,65 | 3,56  |      |
| 41                                      | 8,3                                    | 2,19                                   | 9,88 | 2,77    | 11,51 | 3,46    | 11,72 | 3,5   | 11,94 | 3,55    | 12,13 | 3,61    | 12,47 | 3,63  |      |
| 43                                      | 8,3                                    | 2,28                                   | 9,88 | 2,87    | 11,51 | 3,52    | 11,53 | 3,54  | 11,86 | 3,58    | 12,2  | 3,63    | 12,25 | 3,67  |      |

kWf = Cooling capacity [kW]  
 kWe = Compressor + Fan power input [kW]  
 DB=Dry bulb  
 WB=Wet bulb

# Performance in Cooling

## MSAN-XMi 120M/120T

| Indoor/<br>Outdoor<br>Capacity<br>Ratio | Outdoor air<br>temperature<br>D.B.(°C) | Indoor air temperature D.B / W.B. (°C) |      |         |       |         |       |       |       |         |       |         |       |       |      |
|---|--|--|------|---------|-------|---------|-------|-------|-------|---------|-------|---------|-------|-------|------|
|   |  | 20,8/14                                |      | 23,3/16 |       | 25,8/18 |       | 27/19 |       | 28,2/20 |       | 30,7/22 |       | 32/24 |      |
|   |  | kWf                                    | kWe  | kWf     | kWe   | kWf     | kWe   | kWf   | kWe   | kWf     | kWe   | kWf     | kWe   | kWf   | kWe  |
| 90%                                     | -5                                     | 7,47                                   | 0,9  | 8,92    | 1,08  | 10,37   | 1,28  | 11,07 | 1,39  | 11,77   | 1,48  | 13,22   | 1,7   | 14,67 | 1,95 |
|   | -2                                     | 7,47                                   | 0,91 | 8,92    | 1,09  | 10,37   | 1,29  | 11,07 | 1,41  | 11,77   | 1,5   | 13,22   | 1,72  | 14,67 | 1,97 |
|   | 0                                      | 7,47                                   | 0,92 | 8,92    | 1,11  | 10,37   | 1,31  | 11,07 | 1,43  | 11,77   | 1,52  | 13,22   | 1,74  | 14,67 | 1,99 |
|   | 2                                      | 7,47                                   | 0,94 | 8,92    | 1,12  | 10,37   | 1,33  | 11,07 | 1,45  | 11,77   | 1,54  | 13,22   | 1,78  | 14,67 | 2,02 |
|   | 4                                      | 7,47                                   | 0,95 | 8,92    | 1,14  | 10,37   | 1,35  | 11,07 | 1,47  | 11,77   | 1,56  | 13,22   | 1,8   | 14,67 | 2,05 |
|   | 6                                      | 7,47                                   | 0,97 | 8,92    | 1,16  | 10,37   | 1,37  | 11,07 | 1,5   | 11,77   | 1,59  | 13,22   | 1,83  | 14,67 | 2,08 |
|   | 8                                      | 7,47                                   | 0,98 | 8,92    | 1,18  | 10,37   | 1,4   | 11,07 | 1,52  | 11,77   | 1,62  | 13,22   | 1,87  | 14,67 | 2,1  |
|   | 10                                     | 7,47                                   | 1    | 8,92    | 1,21  | 10,37   | 1,43  | 11,07 | 1,54  | 11,77   | 1,66  | 13,22   | 1,89  | 14,67 | 2,13 |
|   | 12                                     | 7,47                                   | 1,02 | 8,92    | 1,23  | 10,37   | 1,45  | 11,07 | 1,57  | 11,77   | 1,69  | 13,22   | 1,93  | 14,67 | 2,17 |
|   | 14                                     | 7,47                                   | 1,04 | 8,92    | 1,25  | 10,37   | 1,48  | 11,07 | 1,6   | 11,77   | 1,72  | 13,22   | 1,96  | 14,67 | 2,21 |
|   | 16                                     | 7,47                                   | 1,06 | 8,92    | 1,27  | 10,37   | 1,51  | 11,07 | 1,63  | 11,77   | 1,75  | 13,22   | 2     | 14,63 | 2,25 |
|   | 18                                     | 7,47                                   | 1,07 | 8,92    | 1,3   | 10,37   | 1,54  | 11,07 | 1,66  | 11,77   | 1,79  | 13,22   | 2,04  | 14,45 | 2,32 |
|   | 20                                     | 7,47                                   | 1,09 | 8,92    | 1,33  | 10,37   | 1,57  | 11,07 | 1,69  | 11,77   | 1,85  | 13,22   | 2,19  | 14,23 | 2,43 |
|   | 21                                     | 7,47                                   | 1,1  | 8,92    | 1,34  | 10,37   | 1,59  | 11,07 | 1,75  | 11,77   | 1,92  | 13,22   | 2,27  | 14,15 | 2,49 |
|   | 23                                     | 7,47                                   | 1,13 | 8,92    | 1,39  | 10,37   | 1,71  | 11,07 | 1,88  | 11,77   | 2,06  | 13,22   | 2,44  | 13,92 | 2,6  |
|   | 25                                     | 7,47                                   | 1,19 | 8,92    | 1,49  | 10,37   | 1,83  | 11,07 | 2,01  | 11,77   | 2,2   | 13,22   | 2,61  | 13,75 | 2,72 |
|   | 27                                     | 7,47                                   | 1,26 | 8,92    | 1,59  | 10,37   | 1,95  | 11,07 | 2,15  | 11,77   | 2,35  | 13,22   | 2,79  | 13,53 | 2,83 |
|   | 29                                     | 7,47                                   | 1,34 | 8,92    | 1,69  | 10,37   | 2,08  | 11,07 | 2,29  | 11,77   | 2,51  | 13,09   | 2,92  | 13,35 | 2,94 |
|   | 31                                     | 7,47                                   | 1,43 | 8,92    | 1,8   | 10,37   | 2,22  | 11,07 | 2,44  | 11,77   | 2,68  | 12,87   | 3,04  | 13,13 | 3,06 |
|   | 33                                     | 7,47                                   | 1,52 | 8,92    | 1,91  | 10,37   | 2,37  | 11,07 | 2,61  | 11,77   | 2,86  | 12,7    | 3,15  | 12,96 | 3,18 |
| 35                                      | 7,47                                   | 1,61                                   | 8,92 | 2,04    | 10,37 | 2,52    | 11,07 | 2,78  | 11,77 | 3,05    | 12,48 | 3,27    | 12,74 | 3,29  |      |
| 37                                      | 7,47                                   | 1,71                                   | 8,92 | 2,16    | 10,37 | 2,68    | 11,07 | 2,96  | 11,77 | 3,25    | 12,26 | 3,38    | 12,56 | 3,41  |      |
| 39                                      | 7,47                                   | 1,81                                   | 8,92 | 2,3     | 10,37 | 2,85    | 11,07 | 3,15  | 11,77 | 3,46    | 12,08 | 3,5     | 12,34 | 3,53  |      |
| 41                                      | 7,47                                   | 1,88                                   | 8,92 | 2,41    | 10,37 | 2,96    | 11,07 | 3,23  | 11,77 | 3,48    | 12    | 3,59    | 12,26 | 3,61  |      |
| 43                                      | 7,47                                   | 1,97                                   | 8,92 | 2,51    | 10,37 | 3,06    | 11,07 | 3,32  | 11,77 | 3,56    | 11,93 | 3,64    | 12,16 | 3,66  |      |
| 80%                                     | -5                                     | 6,63                                   | 0,8  | 7,91    | 0,94  | 9,18    | 1,11  | 9,84  | 1,18  | 10,5    | 1,27  | 11,77   | 1,47  | 13,05 | 1,68 |
|   | -2                                     | 6,63                                   | 0,81 | 7,91    | 0,95  | 9,18    | 1,12  | 9,84  | 1,2   | 10,5    | 1,29  | 11,77   | 1,49  | 13,05 | 1,7  |
|   | 0                                      | 6,63                                   | 0,82 | 7,91    | 0,96  | 9,18    | 1,14  | 9,84  | 1,22  | 10,5    | 1,31  | 11,77   | 1,51  | 13,05 | 1,72 |
|   | 2                                      | 6,63                                   | 0,84 | 7,91    | 0,98  | 9,18    | 1,15  | 9,84  | 1,24  | 10,5    | 1,33  | 11,77   | 1,54  | 13,05 | 1,75 |
|   | 4                                      | 6,63                                   | 0,85 | 7,91    | 0,99  | 9,18    | 1,17  | 9,84  | 1,27  | 10,5    | 1,36  | 11,77   | 1,57  | 13,05 | 1,78 |
|   | 6                                      | 6,63                                   | 0,87 | 7,91    | 1,02  | 9,18    | 1,19  | 9,84  | 1,3   | 10,5    | 1,38  | 11,77   | 1,59  | 13,05 | 1,81 |
|   | 8                                      | 6,63                                   | 0,88 | 7,91    | 1,04  | 9,18    | 1,22  | 9,84  | 1,32  | 10,5    | 1,41  | 11,77   | 1,61  | 13,05 | 1,84 |
|   | 10                                     | 6,63                                   | 0,89 | 7,91    | 1,06  | 9,18    | 1,25  | 9,84  | 1,35  | 10,5    | 1,45  | 11,77   | 1,65  | 13,05 | 1,86 |
|   | 12                                     | 6,63                                   | 0,9  | 7,91    | 1,08  | 9,18    | 1,27  | 9,84  | 1,38  | 10,5    | 1,48  | 11,77   | 1,68  | 13,05 | 1,9  |
|   | 14                                     | 6,63                                   | 0,92 | 7,91    | 1,1   | 9,18    | 1,3   | 9,84  | 1,4   | 10,5    | 1,5   | 11,77   | 1,71  | 13,05 | 1,93 |
|   | 16                                     | 6,63                                   | 0,93 | 7,91    | 1,12  | 9,18    | 1,32  | 9,84  | 1,42  | 10,5    | 1,53  | 11,77   | 1,75  | 13,05 | 1,97 |
|   | 18                                     | 6,63                                   | 0,95 | 7,91    | 1,14  | 9,18    | 1,35  | 9,84  | 1,45  | 10,5    | 1,56  | 11,77   | 1,78  | 13,05 | 2,01 |
|   | 20                                     | 6,63                                   | 0,97 | 7,91    | 1,17  | 9,18    | 1,38  | 9,84  | 1,48  | 10,5    | 1,59  | 11,77   | 1,85  | 13,05 | 2,15 |
|   | 21                                     | 6,63                                   | 0,98 | 7,91    | 1,17  | 9,18    | 1,39  | 9,84  | 1,5   | 10,5    | 1,63  | 11,77   | 1,91  | 13,05 | 2,23 |
|   | 23                                     | 6,63                                   | 0,99 | 7,91    | 1,2   | 9,18    | 1,45  | 9,84  | 1,59  | 10,5    | 1,74  | 11,77   | 2,05  | 13,05 | 2,39 |
|   | 25                                     | 6,63                                   | 1,02 | 7,91    | 1,27  | 9,18    | 1,55  | 9,84  | 1,7   | 10,5    | 1,86  | 11,77   | 2,19  | 13,05 | 2,55 |
|   | 27                                     | 6,63                                   | 1,09 | 7,91    | 1,36  | 9,18    | 1,66  | 9,84  | 1,82  | 10,5    | 1,98  | 11,77   | 2,34  | 13,05 | 2,73 |
|   | 29                                     | 6,63                                   | 1,16 | 7,91    | 1,45  | 9,18    | 1,77  | 9,84  | 1,94  | 10,5    | 2,12  | 11,77   | 2,5   | 13,05 | 2,92 |
|   | 31                                     | 6,63                                   | 1,23 | 7,91    | 1,54  | 9,18    | 1,88  | 9,84  | 2,06  | 10,5    | 2,26  | 11,77   | 2,67  | 12,83 | 3,04 |
|   | 33                                     | 6,63                                   | 1,31 | 7,91    | 1,63  | 9,18    | 2     | 9,84  | 2,2   | 10,5    | 2,4   | 11,77   | 2,85  | 12,65 | 3,15 |
| 35                                      | 6,63                                   | 1,39                                   | 7,91 | 1,74    | 9,18  | 2,13    | 9,84  | 2,34  | 10,5  | 2,56    | 11,77 | 3,04    | 12,43 | 3,26  |      |
| 37                                      | 6,63                                   | 1,47                                   | 7,91 | 1,84    | 9,18  | 2,26    | 9,84  | 2,49  | 10,5  | 2,73    | 11,77 | 3,24    | 12,26 | 3,38  |      |
| 39                                      | 6,63                                   | 1,56                                   | 7,91 | 1,97    | 9,18  | 2,41    | 9,84  | 2,65  | 10,5  | 2,9     | 11,77 | 3,45    | 12,04 | 3,5   |      |
| 41                                      | 6,63                                   | 1,59                                   | 7,91 | 1,98    | 9,18  | 2,44    | 9,84  | 2,72  | 10,5  | 2,96    | 11,77 | 3,53    | 11,96 | 3,56  |      |
| 43                                      | 6,63                                   | 1,64                                   | 7,91 | 2       | 9,18  | 2,48    | 9,84  | 2,77  | 10,5  | 3       | 11,77 | 3,58    | 11,89 | 3,59  |      |

kWf = Cooling capacity [kW]  
 kWe = Compressor + Fan power input [kW]  
 DB=Dry bulb  
 WB=Wet bulb

# Performance in Cooling

## MSAN-XMi 120M/120T

| Indoor/<br>Outdoor<br>Capacity<br>Ratio | Outdoor air<br>temperature<br>D.B.(°C) | Indoor air temperature D.B / W.B. (°C) |      |         |      |         |      |       |      |         |       |         |       |       |      |
|---|--|--|------|---------|------|---------|------|-------|------|---------|-------|---------|-------|-------|------|
|   |  | 20,8/14                                |      | 23,3/16 |      | 25,8/18 |      | 27/19 |      | 28,2/20 |       | 30,7/22 |       | 32/24 |      |
|   |  | kWf                                    | kWe  | kWf     | kWe  | kWf     | kWe  | kWf   | kWe  | kWf     | kWe   | kWf     | kWe   | kWf   | kWe  |
| 70%                                     | -5                                     | 5,8                                    | 0,71 | 6,94    | 0,83 | 8,04    | 0,94 | 8,61  | 1,01 | 9,18    | 1,08  | 10,28   | 1,23  | 11,42 | 1,42 |
|   | -2                                     | 5,8                                    | 0,72 | 6,94    | 0,84 | 8,04    | 0,95 | 8,61  | 1,03 | 9,18    | 1,1   | 10,28   | 1,25  | 11,42 | 1,44 |
|   | 0                                      | 5,8                                    | 0,72 | 6,94    | 0,85 | 8,04    | 0,97 | 8,61  | 1,05 | 9,18    | 1,12  | 10,28   | 1,28  | 11,42 | 1,46 |
|   | 2                                      | 5,8                                    | 0,72 | 6,94    | 0,85 | 8,04    | 0,98 | 8,61  | 1,07 | 9,18    | 1,14  | 10,28   | 1,31  | 11,42 | 1,48 |
|   | 4                                      | 5,8                                    | 0,73 | 6,94    | 0,87 | 8,04    | 1,01 | 8,61  | 1,09 | 9,18    | 1,16  | 10,28   | 1,33  | 11,42 | 1,52 |
|   | 6                                      | 5,8                                    | 0,74 | 6,94    | 0,89 | 8,04    | 1,03 | 8,61  | 1,12 | 9,18    | 1,19  | 10,28   | 1,35  | 11,42 | 1,55 |
|   | 8                                      | 5,8                                    | 0,76 | 6,94    | 0,91 | 8,04    | 1,05 | 8,61  | 1,14 | 9,18    | 1,22  | 10,28   | 1,39  | 11,42 | 1,58 |
|   | 10                                     | 5,8                                    | 0,77 | 6,94    | 0,93 | 8,04    | 1,08 | 8,61  | 1,17 | 9,18    | 1,25  | 10,28   | 1,42  | 11,42 | 1,59 |
|   | 12                                     | 5,8                                    | 0,79 | 6,94    | 0,94 | 8,04    | 1,1  | 8,61  | 1,19 | 9,18    | 1,27  | 10,28   | 1,45  | 11,42 | 1,63 |
|   | 14                                     | 5,8                                    | 0,81 | 6,94    | 0,96 | 8,04    | 1,12 | 8,61  | 1,2  | 9,18    | 1,29  | 10,28   | 1,47  | 11,42 | 1,66 |
|   | 16                                     | 5,8                                    | 0,82 | 6,94    | 0,98 | 8,04    | 1,14 | 8,61  | 1,23 | 9,18    | 1,32  | 10,28   | 1,5   | 11,42 | 1,69 |
|   | 18                                     | 5,8                                    | 0,83 | 6,94    | 0,99 | 8,04    | 1,17 | 8,61  | 1,25 | 9,18    | 1,34  | 10,28   | 1,53  | 11,42 | 1,72 |
|   | 20                                     | 5,8                                    | 0,85 | 6,94    | 1,01 | 8,04    | 1,19 | 8,61  | 1,27 | 9,18    | 1,37  | 10,28   | 1,56  | 11,42 | 1,77 |
|   | 21                                     | 5,8                                    | 0,85 | 6,94    | 1,02 | 8,04    | 1,2  | 8,61  | 1,29 | 9,18    | 1,38  | 10,28   | 1,58  | 11,42 | 1,83 |
|   | 23                                     | 5,8                                    | 0,87 | 6,94    | 1,04 | 8,04    | 1,22 | 8,61  | 1,33 | 9,18    | 1,45  | 10,28   | 1,7   | 11,42 | 1,96 |
|   | 25                                     | 5,8                                    | 0,88 | 6,94    | 1,08 | 8,04    | 1,3  | 8,61  | 1,42 | 9,18    | 1,55  | 10,28   | 1,81  | 11,42 | 2,1  |
|   | 27                                     | 5,8                                    | 0,94 | 6,94    | 1,15 | 8,04    | 1,39 | 8,61  | 1,52 | 9,18    | 1,65  | 10,28   | 1,94  | 11,42 | 2,24 |
|   | 29                                     | 5,8                                    | 0,99 | 6,94    | 1,22 | 8,04    | 1,48 | 8,61  | 1,62 | 9,18    | 1,76  | 10,28   | 2,06  | 11,42 | 2,4  |
|   | 31                                     | 5,8                                    | 1,05 | 6,94    | 1,3  | 8,04    | 1,57 | 8,61  | 1,72 | 9,18    | 1,87  | 10,28   | 2,2   | 11,42 | 2,55 |
|   | 33                                     | 5,8                                    | 1,12 | 6,94    | 1,38 | 8,04    | 1,67 | 8,61  | 1,83 | 9,18    | 1,99  | 10,28   | 2,34  | 11,42 | 2,72 |
| 35                                      | 5,8                                    | 1,18                                   | 6,94 | 1,46    | 8,04 | 1,77    | 8,61 | 1,94  | 9,18 | 2,12    | 10,28 | 2,5     | 11,42 | 2,9   |      |
| 37                                      | 5,8                                    | 1,25                                   | 6,94 | 1,55    | 8,04 | 1,89    | 8,61 | 2,06  | 9,18 | 2,26    | 10,28 | 2,66    | 11,42 | 3,09  |      |
| 39                                      | 5,8                                    | 1,32                                   | 6,94 | 1,64    | 8,04 | 2       | 8,61 | 2,19  | 9,18 | 2,4     | 10,28 | 2,83    | 11,42 | 3,29  |      |
| 41                                      | 5,8                                    | 1,38                                   | 6,94 | 1,7     | 8,04 | 2,06    | 8,61 | 2,27  | 9,18 | 2,47    | 10,28 | 2,94    | 11,42 | 3,44  |      |
| 43                                      | 5,8                                    | 1,49                                   | 6,94 | 1,82    | 8,04 | 2,14    | 8,61 | 2,39  | 9,18 | 2,54    | 10,28 | 3,05    | 11,42 | 3,55  |      |
| 60%                                     | -5                                     | 4,96                                   | 0,61 | 5,93    | 0,7  | 6,9     | 0,82 | 7,38  | 0,87 | 7,86    | 0,94  | 8,83    | 1,06  | 9,8   | 1,21 |
|   | -2                                     | 4,96                                   | 0,61 | 5,93    | 0,71 | 6,9     | 0,83 | 7,38  | 0,88 | 7,86    | 0,95  | 8,83    | 1,07  | 9,8   | 1,22 |
|   | 0                                      | 4,96                                   | 0,62 | 5,93    | 0,72 | 6,9     | 0,84 | 7,38  | 0,9  | 7,86    | 0,97  | 8,83    | 1,09  | 9,8   | 1,24 |
|   | 2                                      | 4,96                                   | 0,63 | 5,93    | 0,74 | 6,9     | 0,86 | 7,38  | 0,91 | 7,86    | 0,98  | 8,83    | 1,11  | 9,8   | 1,25 |
|   | 4                                      | 4,96                                   | 0,65 | 5,93    | 0,75 | 6,9     | 0,88 | 7,38  | 0,92 | 7,86    | 0,99  | 8,83    | 1,13  | 9,8   | 1,27 |
|   | 6                                      | 4,96                                   | 0,65 | 5,93    | 0,77 | 6,9     | 0,89 | 7,38  | 0,94 | 7,86    | 1,01  | 8,83    | 1,15  | 9,8   | 1,3  |
|   | 8                                      | 4,96                                   | 0,67 | 5,93    | 0,78 | 6,9     | 0,91 | 7,38  | 0,96 | 7,86    | 1,04  | 8,83    | 1,17  | 9,8   | 1,32 |
|   | 10                                     | 4,96                                   | 0,68 | 5,93    | 0,8  | 6,9     | 0,92 | 7,38  | 0,99 | 7,86    | 1,06  | 8,83    | 1,2   | 9,8   | 1,34 |
|   | 12                                     | 4,96                                   | 0,69 | 5,93    | 0,81 | 6,9     | 0,94 | 7,38  | 1,01 | 7,86    | 1,07  | 8,83    | 1,22  | 9,8   | 1,36 |
|   | 14                                     | 4,96                                   | 0,7  | 5,93    | 0,82 | 6,9     | 0,95 | 7,38  | 1,02 | 7,86    | 1,09  | 8,83    | 1,24  | 9,8   | 1,39 |
|   | 16                                     | 4,96                                   | 0,71 | 5,93    | 0,84 | 6,9     | 0,97 | 7,38  | 1,04 | 7,86    | 1,11  | 8,83    | 1,26  | 9,8   | 1,41 |
|   | 18                                     | 4,96                                   | 0,72 | 5,93    | 0,85 | 6,9     | 0,99 | 7,38  | 1,06 | 7,86    | 1,13  | 8,83    | 1,28  | 9,8   | 1,44 |
|   | 20                                     | 4,96                                   | 0,73 | 5,93    | 0,87 | 6,9     | 1,01 | 7,38  | 1,08 | 7,86    | 1,16  | 8,83    | 1,31  | 9,8   | 1,47 |
|   | 21                                     | 4,96                                   | 0,74 | 5,93    | 0,87 | 6,9     | 1,02 | 7,38  | 1,09 | 7,86    | 1,16  | 8,83    | 1,32  | 9,8   | 1,48 |
|   | 23                                     | 4,96                                   | 0,75 | 5,93    | 0,89 | 6,9     | 1,03 | 7,38  | 1,11 | 7,86    | 1,19  | 8,83    | 1,38  | 9,8   | 1,58 |
|   | 25                                     | 4,96                                   | 0,76 | 5,93    | 0,9  | 6,9     | 1,07 | 7,38  | 1,16 | 7,86    | 1,26  | 8,83    | 1,47  | 9,8   | 1,69 |
|   | 27                                     | 4,96                                   | 0,79 | 5,93    | 0,96 | 6,9     | 1,14 | 7,38  | 1,24 | 7,86    | 1,34  | 8,83    | 1,56  | 9,8   | 1,8  |
|   | 29                                     | 4,96                                   | 0,84 | 5,93    | 1,02 | 6,9     | 1,22 | 7,38  | 1,32 | 7,86    | 1,43  | 8,83    | 1,67  | 9,8   | 1,92 |
|   | 31                                     | 4,96                                   | 0,89 | 5,93    | 1,08 | 6,9     | 1,29 | 7,38  | 1,41 | 7,86    | 1,52  | 8,83    | 1,77  | 9,8   | 2,05 |
|   | 33                                     | 4,96                                   | 0,94 | 5,93    | 1,14 | 6,9     | 1,37 | 7,38  | 1,49 | 7,86    | 1,62  | 8,83    | 1,89  | 9,8   | 2,18 |
| 35                                      | 4,96                                   | 0,99                                   | 5,93 | 1,21    | 6,9  | 1,45    | 7,38 | 1,59  | 7,86 | 1,72    | 8,83  | 2,01    | 9,8   | 2,32  |      |
| 37                                      | 4,96                                   | 1,05                                   | 5,93 | 1,28    | 6,9  | 1,54    | 7,38 | 1,68  | 7,86 | 1,83    | 8,83  | 2,14    | 9,8   | 2,47  |      |
| 39                                      | 4,96                                   | 1,11                                   | 5,93 | 1,36    | 6,9  | 1,63    | 7,38 | 1,78  | 7,86 | 1,94    | 8,83  | 2,27    | 9,8   | 2,63  |      |
| 41                                      | 4,96                                   | 1,14                                   | 5,93 | 1,42    | 6,9  | 1,69    | 7,38 | 1,85  | 7,86 | 2,01    | 8,83  | 2,38    | 9,8   | 2,75  |      |
| 43                                      | 4,96                                   | 1,18                                   | 5,93 | 1,48    | 6,9  | 1,75    | 7,38 | 1,91  | 7,86 | 2,08    | 8,83  | 2,48    | 9,8   | 2,87  |      |

kWf = Cooling capacity [kW]  
 kWe = Compressor + Fan power input [kW]  
 DB=Dry bulb  
 WB=Wet bulb

# Performance in Cooling

## MSAN-XMi 120M/120T

| Indoor/<br>Outdoor<br>Capacity<br>Ratio | Outdoor air<br>temperature<br>D.B.(°C) | Indoor air temperature D.B / W.B. (°C) |      |         |      |         |      |       |      |         |      |         |      |       |      |
|---|--|--|------|---------|------|---------|------|-------|------|---------|------|---------|------|-------|------|
|   |  | 20,8/14                                |      | 23,3/16 |      | 25,8/18 |      | 27/19 |      | 28,2/20 |      | 30,7/22 |      | 32/24 |      |
|   |  | kWf                                    | kWe  | kWf     | kWe  | kWf     | kWe  | kWf   | kWe  | kWf     | kWe  | kWf     | kWe  | kWf   | kWe  |
| 50%                                     | -5                                     | 4,15                                   | 0,53 | 4,96    | 0,61 | 5,75    | 0,7  | 6,15  | 0,73 | 6,55    | 0,77 | 7,34    | 0,88 | 8,17  | 0,95 |
|   | -2                                     | 4,15                                   | 0,53 | 4,96    | 0,62 | 5,75    | 0,71 | 6,15  | 0,74 | 6,55    | 0,79 | 7,34    | 0,89 | 8,17  | 0,96 |
|   | 0                                      | 4,15                                   | 0,54 | 4,96    | 0,63 | 5,75    | 0,72 | 6,15  | 0,75 | 6,55    | 0,79 | 7,34    | 0,9  | 8,17  | 0,98 |
|   | 2                                      | 4,15                                   | 0,55 | 4,96    | 0,64 | 5,75    | 0,73 | 6,15  | 0,76 | 6,55    | 0,81 | 7,34    | 0,91 | 8,17  | 0,99 |
|   | 4                                      | 4,15                                   | 0,55 | 4,96    | 0,65 | 5,75    | 0,74 | 6,15  | 0,77 | 6,55    | 0,82 | 7,34    | 0,93 | 8,17  | 1,02 |
|   | 6                                      | 4,15                                   | 0,56 | 4,96    | 0,66 | 5,75    | 0,75 | 6,15  | 0,79 | 6,55    | 0,84 | 7,34    | 0,95 | 8,17  | 1,05 |
|   | 8                                      | 4,15                                   | 0,58 | 4,96    | 0,67 | 5,75    | 0,76 | 6,15  | 0,81 | 6,55    | 0,85 | 7,34    | 0,96 | 8,17  | 1,08 |
|   | 10                                     | 4,15                                   | 0,59 | 4,96    | 0,68 | 5,75    | 0,78 | 6,15  | 0,82 | 6,55    | 0,88 | 7,34    | 0,99 | 8,17  | 1,1  |
|   | 12                                     | 4,15                                   | 0,59 | 4,96    | 0,69 | 5,75    | 0,79 | 6,15  | 0,84 | 6,55    | 0,89 | 7,34    | 1    | 8,17  | 1,12 |
|   | 14                                     | 4,15                                   | 0,6  | 4,96    | 0,7  | 5,75    | 0,8  | 6,15  | 0,85 | 6,55    | 0,91 | 7,34    | 1,02 | 8,17  | 1,14 |
|   | 16                                     | 4,15                                   | 0,61 | 4,96    | 0,71 | 5,75    | 0,81 | 6,15  | 0,87 | 6,55    | 0,92 | 7,34    | 1,04 | 8,17  | 1,16 |
|   | 18                                     | 4,15                                   | 0,62 | 4,96    | 0,72 | 5,75    | 0,82 | 6,15  | 0,88 | 6,55    | 0,94 | 7,34    | 1,06 | 8,17  | 1,18 |
|   | 20                                     | 4,15                                   | 0,63 | 4,96    | 0,73 | 5,75    | 0,84 | 6,15  | 0,89 | 6,55    | 0,95 | 7,34    | 1,07 | 8,17  | 1,2  |
|   | 21                                     | 4,15                                   | 0,63 | 4,96    | 0,74 | 5,75    | 0,85 | 6,15  | 0,9  | 6,55    | 0,96 | 7,34    | 1,09 | 8,17  | 1,21 |
|   | 23                                     | 4,15                                   | 0,64 | 4,96    | 0,74 | 5,75    | 0,86 | 6,15  | 0,92 | 6,55    | 0,98 | 7,34    | 1,1  | 8,17  | 1,24 |
|   | 25                                     | 4,15                                   | 0,65 | 4,96    | 0,76 | 5,75    | 0,88 | 6,15  | 0,94 | 6,55    | 1,01 | 7,34    | 1,16 | 8,17  | 1,32 |
|   | 27                                     | 4,15                                   | 0,66 | 4,96    | 0,79 | 5,75    | 0,92 | 6,15  | 1    | 6,55    | 1,07 | 7,34    | 1,24 | 8,17  | 1,41 |
|   | 29                                     | 4,15                                   | 0,7  | 4,96    | 0,83 | 5,75    | 0,98 | 6,15  | 1,06 | 6,55    | 1,14 | 7,34    | 1,31 | 8,17  | 1,5  |
|   | 31                                     | 4,15                                   | 0,74 | 4,96    | 0,88 | 5,75    | 1,04 | 6,15  | 1,13 | 6,55    | 1,21 | 7,34    | 1,4  | 8,17  | 1,6  |
|   | 33                                     | 4,15                                   | 0,78 | 4,96    | 0,93 | 5,75    | 1,1  | 6,15  | 1,19 | 6,55    | 1,29 | 7,34    | 1,48 | 8,17  | 1,7  |
| 35                                      | 4,15                                   | 0,82                                   | 4,96 | 0,99    | 5,75 | 1,16    | 6,15 | 1,26  | 6,55 | 1,36    | 7,34 | 1,58    | 8,17 | 1,8   |      |
| 37                                      | 4,15                                   | 0,87                                   | 4,96 | 1,04    | 5,75 | 1,24    | 6,15 | 1,34  | 6,55 | 1,45    | 7,34 | 1,67    | 8,17 | 1,92  |      |
| 39                                      | 4,15                                   | 0,92                                   | 4,96 | 1,1     | 5,75 | 1,31    | 6,15 | 1,41  | 6,55 | 1,53    | 7,34 | 1,77    | 8,17 | 2,04  |      |
| 41                                      | 4,15                                   | 0,95                                   | 4,96 | 1,15    | 5,75 | 1,35    | 6,15 | 1,48  | 6,55 | 1,6     | 7,34 | 1,87    | 8,17 | 2,13  |      |
| 43                                      | 4,15                                   | 1,02                                   | 4,96 | 1,23    | 5,75 | 1,4     | 6,15 | 1,55  | 6,55 | 1,64    | 7,34 | 1,96    | 8,17 | 2,23  |      |

kWf = Cooling capacity [kW]

kWe = Compressor + Fan power input [kW]

DB=Dry bulb

WB=Wet bulb

Notes:

It is recommended to have system with Indoor/Outdoor Capacity Ratio less than 130%

Avoid running the unit in cooling mode when outdoor air temperature is above 43°C DB

The above capacity tables show the average values in operating conditions

# Performance in Cooling

## MSAN-XMi 140M/140T

| Indoor/<br>Outdoor<br>Capacity<br>Ratio | Outdoor air<br>temperature<br>D.B.(°C) | Indoor air temperature D.B / W.B. (°C) |      |         |      |         |      |       |      |         |      |         |      |       |      |
|---|--|--|------|---------|------|---------|------|-------|------|---------|------|---------|------|-------|------|
|   |  | 20,8/14                                |      | 23,3/16 |      | 25,8/18 |      | 27/19 |      | 28,2/20 |      | 30,7/22 |      | 32/24 |      |
|   |  | kWf                                    | kWe  | kWf     | kWe  | kWf     | kWe  | kWf   | kWe  | kWf     | kWe  | kWf     | kWe  | kWf   | kWe  |
| 130%                                    | -5                                     | 12,3                                   | 1,57 | 14,6    | 1,92 | 17      | 2,06 | 17,6  | 2,14 | 18,5    | 2,2  | 18,9    | 2,4  | 19,4  | 2,41 |
|   | -2                                     | 12,3                                   | 1,57 | 14,6    | 1,96 | 17      | 2,06 | 17,6  | 2,16 | 18,5    | 2,2  | 18,9    | 2,43 | 19,4  | 2,44 |
|   | 0                                      | 12,3                                   | 1,6  | 14,6    | 1,99 | 17      | 2,13 | 17,6  | 2,27 | 18,5    | 2,33 | 18,9    | 2,46 | 19,4  | 2,47 |
|   | 2                                      | 12,3                                   | 1,63 | 14,6    | 2    | 17      | 2,21 | 17,6  | 2,4  | 18,5    | 2,36 | 18,9    | 2,47 | 19,4  | 2,5  |
|   | 4                                      | 12,3                                   | 1,67 | 14,6    | 2,04 | 17      | 2,28 | 17,6  | 2,41 | 18,5    | 2,39 | 18,9    | 2,51 | 19,4  | 2,55 |
|   | 6                                      | 12,3                                   | 1,7  | 14,6    | 2,08 | 17      | 2,37 | 17,6  | 2,43 | 18,3    | 2,46 | 18,7    | 2,55 | 19,2  | 2,57 |
|   | 8                                      | 12,3                                   | 1,74 | 14,6    | 2,12 | 17      | 2,49 | 17,6  | 2,55 | 18,1    | 2,54 | 18,5    | 2,56 | 19    | 2,6  |
|   | 10                                     | 12,3                                   | 1,77 | 14,6    | 2,17 | 17      | 2,58 | 17,6  | 2,64 | 17,8    | 2,59 | 18,3    | 2,6  | 18,7  | 2,67 |
|   | 12                                     | 12,3                                   | 1,81 | 14,6    | 2,21 | 17      | 2,63 | 17,4  | 2,68 | 17,6    | 2,63 | 18      | 2,64 | 18,5  | 2,69 |
|   | 14                                     | 12,3                                   | 1,84 | 14,6    | 2,25 | 16,9    | 2,67 | 17,2  | 2,71 | 17,4    | 2,67 | 17,8    | 2,68 | 18,3  | 2,75 |
|   | 16                                     | 12,3                                   | 1,87 | 14,6    | 2,3  | 16,7    | 2,71 | 16,9  | 2,75 | 17,1    | 2,75 | 17,6    | 2,72 | 18    | 2,79 |
|   | 18                                     | 12,3                                   | 1,91 | 14,6    | 2,35 | 16,5    | 2,75 | 16,7  | 2,77 | 16,9    | 2,78 | 17,4    | 2,81 | 17,8  | 2,83 |
|   | 20                                     | 12,3                                   | 1,95 | 14,6    | 2,5  | 16,2    | 2,89 | 16,5  | 2,9  | 16,7    | 2,92 | 17,1    | 2,94 | 17,6  | 2,97 |
|   | 21                                     | 12,3                                   | 2    | 14,6    | 2,58 | 16,1    | 2,95 | 16,4  | 2,97 | 16,6    | 2,98 | 17      | 3,01 | 17,5  | 3,04 |
|   | 23                                     | 12,3                                   | 2,15 | 14,6    | 2,77 | 15,9    | 3,09 | 16,1  | 3,1  | 16,3    | 3,12 | 16,8    | 3,15 | 17,2  | 3,18 |
|   | 25                                     | 12,3                                   | 2,29 | 14,6    | 2,97 | 15,7    | 3,22 | 15,9  | 3,24 | 16,1    | 3,26 | 16,6    | 3,29 | 17    | 3,32 |
|   | 27                                     | 12,3                                   | 2,45 | 14,6    | 3,18 | 15,5    | 3,36 | 15,7  | 3,38 | 15,9    | 3,39 | 16,3    | 3,43 | 16,8  | 3,47 |
|   | 29                                     | 12,3                                   | 2,62 | 14,6    | 3,39 | 15,2    | 3,49 | 15,4  | 3,51 | 15,7    | 3,53 | 16,1    | 3,57 | 16,6  | 3,61 |
|   | 31                                     | 12,3                                   | 2,79 | 14,6    | 3,59 | 15      | 3,63 | 15,2  | 3,65 | 15,4    | 3,67 | 15,9    | 3,71 | 16,3  | 3,75 |
|   | 33                                     | 12,3                                   | 2,97 | 14,3    | 3,73 | 14,8    | 3,77 | 15    | 3,79 | 15,2    | 3,81 | 15,7    | 3,85 | 16,1  | 3,89 |
| 35                                      | 12,3                                   | 3,17                                   | 14,1 | 3,86    | 14,5 | 3,91    | 14,8 | 3,93  | 15   | 3,95    | 15,4 | 4       | 15,9 | 4,04  |      |
| 37                                      | 12,3                                   | 3,37                                   | 13,9 | 4       | 14,3 | 4,05    | 14,5 | 4,07  | 14,8 | 4,09    | 15,2 | 4,14    | 15,6 | 4,19  |      |
| 39                                      | 12,3                                   | 3,59                                   | 13,6 | 4,04    | 14,1 | 4,18    | 14,3 | 4,21  | 14,5 | 4,23    | 15   | 4,28    | 15,4 | 4,33  |      |
| 41                                      | 12,3                                   | 3,78                                   | 13,5 | 4,08    | 14   | 4,22    | 14,2 | 4,25  | 14,4 | 4,27    | 14,9 | 4,29    | 14,9 | 4,37  |      |
| 43                                      | 12,3                                   | 3,88                                   | 13,4 | 4,1     | 13,9 | 4,23    | 14,1 | 4,27  | 14,3 | 4,28    | 14,6 | 4,3     | 14,7 | 4,38  |      |
| 120%                                    | -5                                     | 11,4                                   | 1,52 | 13,5    | 1,84 | 15,7    | 2,18 | 16,8  | 2,37 | 17,6    | 2,48 | 18      | 2,55 | 18,4  | 2,62 |
|   | -2                                     | 11,4                                   | 1,54 | 13,5    | 1,86 | 15,7    | 2,2  | 16,8  | 2,39 | 17,6    | 2,5  | 18      | 2,58 | 18,4  | 2,63 |
|   | 0                                      | 11,4                                   | 1,55 | 13,5    | 1,87 | 15,7    | 2,22 | 16,8  | 2,39 | 17,6    | 2,53 | 18      | 2,59 | 18,4  | 2,64 |
|   | 2                                      | 11,4                                   | 1,55 | 13,5    | 1,89 | 15,7    | 2,24 | 16,8  | 2,42 | 17,6    | 2,54 | 18      | 2,61 | 18,4  | 2,64 |
|   | 4                                      | 11,4                                   | 1,57 | 13,5    | 1,92 | 15,7    | 2,27 | 16,8  | 2,44 | 17,6    | 2,57 | 18      | 2,62 | 18,4  | 2,65 |
|   | 6                                      | 11,4                                   | 1,59 | 13,5    | 1,93 | 15,7    | 2,3  | 16,8  | 2,47 | 17,6    | 2,6  | 18      | 2,64 | 18,4  | 2,66 |
|   | 8                                      | 11,4                                   | 1,6  | 13,5    | 1,95 | 15,7    | 2,33 | 16,8  | 2,5  | 17,6    | 2,62 | 18      | 2,65 | 18,4  | 2,67 |
|   | 10                                     | 11,4                                   | 1,62 | 13,5    | 1,98 | 15,7    | 2,35 | 16,8  | 2,54 | 17,6    | 2,63 | 18      | 2,65 | 18,4  | 2,68 |
|   | 12                                     | 11,4                                   | 1,65 | 13,5    | 2,01 | 15,7    | 2,4  | 16,8  | 2,59 | 17,4    | 2,64 | 17,7    | 2,64 | 18,1  | 2,7  |
|   | 14                                     | 11,4                                   | 1,68 | 13,5    | 2,05 | 15,7    | 2,44 | 16,8  | 2,64 | 17,1    | 2,65 | 17,5    | 2,68 | 17,9  | 2,73 |
|   | 16                                     | 11,4                                   | 1,71 | 13,5    | 2,1  | 15,7    | 2,49 | 16,7  | 2,69 | 16,9    | 2,69 | 17,3    | 2,72 | 17,7  | 2,77 |
|   | 18                                     | 11,4                                   | 1,74 | 13,5    | 2,14 | 15,7    | 2,57 | 16,5  | 2,75 | 16,7    | 2,76 | 17,1    | 2,79 | 17,5  | 2,81 |
|   | 20                                     | 11,4                                   | 1,78 | 13,5    | 2,22 | 15,7    | 2,77 | 16,2  | 2,89 | 16,5    | 2,9  | 16,9    | 2,92 | 17,3  | 2,95 |
|   | 21                                     | 11,4                                   | 1,8  | 13,5    | 2,3  | 15,7    | 2,87 | 16,1  | 2,95 | 16,3    | 2,96 | 16,8    | 2,99 | 17,2  | 3,02 |
|   | 23                                     | 11,4                                   | 1,92 | 13,5    | 2,46 | 15,7    | 3,07 | 15,9  | 3,08 | 16,1    | 3,1  | 16,5    | 3,13 | 16,9  | 3,15 |
|   | 25                                     | 11,4                                   | 2,05 | 13,5    | 2,64 | 15,4    | 3,21 | 15,6  | 3,22 | 15,8    | 3,23 | 16,3    | 3,26 | 16,7  | 3,29 |
|   | 27                                     | 11,4                                   | 2,19 | 13,5    | 2,82 | 15,2    | 3,34 | 15,4  | 3,36 | 15,6    | 3,37 | 16      | 3,4  | 16,5  | 3,43 |
|   | 29                                     | 11,4                                   | 2,33 | 13,5    | 3,01 | 15      | 3,47 | 15,2  | 3,49 | 15,4    | 3,51 | 15,8    | 3,54 | 16,2  | 3,57 |
|   | 31                                     | 11,4                                   | 2,49 | 13,5    | 3,21 | 14,7    | 3,61 | 15    | 3,63 | 15,2    | 3,65 | 15,6    | 3,68 | 16    | 3,72 |
|   | 33                                     | 11,4                                   | 2,65 | 13,5    | 3,42 | 14,5    | 3,75 | 14,7  | 3,77 | 14,9    | 3,78 | 15,3    | 3,82 | 15,7  | 3,86 |
| 35                                      | 11,4                                   | 2,82                                   | 13,5 | 3,65    | 14,3 | 3,88    | 14,5 | 3,9   | 14,7 | 3,92    | 15,1 | 3,96    | 15,5 | 4,01  |      |
| 37                                      | 11,4                                   | 3                                      | 13,5 | 3,89    | 14,1 | 4,02    | 14,3 | 4,04  | 14,5 | 4,06    | 14,9 | 4,1     | 15,3 | 4,15  |      |
| 39                                      | 11,4                                   | 3,2                                    | 13,5 | 4,11    | 13,9 | 4,16    | 14,1 | 4,18  | 14,3 | 4,2     | 14,7 | 4,25    | 15,1 | 4,29  |      |
| 41                                      | 11,4                                   | 3,28                                   | 13,3 | 4,14    | 13,7 | 4,19    | 13,9 | 4,21  | 14,1 | 4,23    | 14,6 | 4,26    | 14,7 | 4,32  |      |
| 43                                      | 11,4                                   | 3,33                                   | 13,3 | 4,17    | 13,6 | 4,21    | 13,8 | 4,23  | 14   | 4,25    | 14,3 | 4,27    | 14,4 | 4,41  |      |

kWf = Cooling capacity [kW]  
 kWe = Compressor + Fan power input [kW]  
 DB=Dry bulb  
 WB=Wet bulb



# Performance in Cooling

## MSAN-XMi 140M/140T

| Indoor/<br>Outdoor<br>Capacity<br>Ratio | Outdoor air<br>temperature<br>D.B.(°C) | Indoor air temperature D.B / W.B. (°C) |      |         |      |         |      |       |      |         |      |         |      |       |      |
|---|--|--|------|---------|------|---------|------|-------|------|---------|------|---------|------|-------|------|
|   |  | 20,8/14                                |      | 23,3/16 |      | 25,8/18 |      | 27/19 |      | 28,2/20 |      | 30,7/22 |      | 32/24 |      |
|   |  | kWf                                    | kWe  | kWf     | kWe  | kWf     | kWe  | kWf   | kWe  | kWf     | kWe  | kWf     | kWe  | kWf   | kWe  |
| 110%                                    | -5                                     | 10,4                                   | 1,33 | 12,4    | 1,65 | 14,4    | 1,97 | 15,4  | 2,12 | 16,4    | 2,28 | 17,7    | 2,37 | 18,1  | 2,44 |
|   | -2                                     | 10,4                                   | 1,35 | 12,4    | 1,67 | 14,4    | 1,99 | 15,4  | 2,14 | 16,4    | 2,3  | 17,7    | 2,39 | 18,1  | 2,45 |
|   | 0                                      | 10,4                                   | 1,37 | 12,4    | 1,68 | 14,4    | 2    | 15,4  | 2,15 | 16,4    | 2,32 | 17,7    | 2,41 | 18,1  | 2,48 |
|   | 2                                      | 10,4                                   | 1,4  | 12,4    | 1,7  | 14,4    | 2,03 | 15,4  | 2,17 | 16,4    | 2,35 | 17,7    | 2,45 | 18,1  | 2,51 |
|   | 4                                      | 10,4                                   | 1,42 | 12,4    | 1,72 | 14,4    | 2,05 | 15,4  | 2,2  | 16,4    | 2,38 | 17,7    | 2,48 | 18,1  | 2,54 |
|   | 6                                      | 10,4                                   | 1,44 | 12,4    | 1,74 | 14,4    | 2,07 | 15,4  | 2,24 | 16,4    | 2,41 | 17,7    | 2,51 | 18,1  | 2,57 |
|   | 8                                      | 10,4                                   | 1,45 | 12,4    | 1,77 | 14,4    | 2,1  | 15,4  | 2,26 | 16,4    | 2,44 | 17,7    | 2,52 | 18,1  | 2,6  |
|   | 10                                     | 10,4                                   | 1,47 | 12,4    | 1,79 | 14,4    | 2,13 | 15,4  | 2,3  | 16,4    | 2,48 | 17,7    | 2,54 | 18,1  | 2,62 |
|   | 12                                     | 10,4                                   | 1,5  | 12,4    | 1,83 | 14,4    | 2,17 | 15,4  | 2,35 | 16,4    | 2,52 | 17,5    | 2,58 | 17,8  | 2,66 |
|   | 14                                     | 10,4                                   | 1,53 | 12,4    | 1,86 | 14,4    | 2,21 | 15,4  | 2,39 | 16,4    | 2,57 | 17,2    | 2,6  | 17,6  | 2,68 |
|   | 16                                     | 10,4                                   | 1,55 | 12,4    | 1,89 | 14,4    | 2,25 | 15,4  | 2,43 | 16,4    | 2,62 | 17      | 2,63 | 17,4  | 2,71 |
|   | 18                                     | 10,4                                   | 1,58 | 12,4    | 1,93 | 14,4    | 2,3  | 15,4  | 2,5  | 16,4    | 2,75 | 16,8    | 2,77 | 17,2  | 2,79 |
|   | 20                                     | 10,4                                   | 1,61 | 12,4    | 1,97 | 14,4    | 2,43 | 15,4  | 2,69 | 16,2    | 2,88 | 16,6    | 2,9  | 16,9  | 2,93 |
|   | 21                                     | 10,4                                   | 1,63 | 12,4    | 2,03 | 14,4    | 2,52 | 15,4  | 2,79 | 16,1    | 2,95 | 16,4    | 2,97 | 16,8  | 2,99 |
|   | 23                                     | 10,4                                   | 1,71 | 12,4    | 2,17 | 14,4    | 2,7  | 15,4  | 2,99 | 15,8    | 3,08 | 16,2    | 3,11 | 16,6  | 3,13 |
|   | 25                                     | 10,4                                   | 1,82 | 12,4    | 2,32 | 14,4    | 2,89 | 15,4  | 3,2  | 15,6    | 3,21 | 16      | 3,24 | 16,3  | 3,27 |
|   | 27                                     | 10,4                                   | 1,94 | 12,4    | 2,49 | 14,4    | 3,09 | 15,2  | 3,34 | 15,4    | 3,35 | 15,8    | 3,38 | 16,1  | 3,41 |
|   | 29                                     | 10,4                                   | 2,07 | 12,4    | 2,65 | 14,4    | 3,31 | 15    | 3,47 | 15,2    | 3,49 | 15,5    | 3,52 | 15,9  | 3,55 |
|   | 31                                     | 10,4                                   | 2,21 | 12,4    | 2,83 | 14,4    | 3,53 | 14,7  | 3,61 | 14,9    | 3,62 | 15,3    | 3,65 | 15,7  | 3,69 |
|   | 33                                     | 10,4                                   | 2,35 | 12,4    | 3,01 | 14,3    | 3,72 | 14,5  | 3,74 | 14,7    | 3,76 | 15,1    | 3,79 | 15,5  | 3,83 |
| 35                                      | 10,4                                   | 2,5                                    | 12,4 | 3,21    | 14,1 | 3,86    | 14,3 | 3,88  | 14,5 | 3,9     | 14,8 | 3,93    | 15,2 | 3,97  |      |
| 37                                      | 10,4                                   | 2,66                                   | 12,4 | 3,42    | 13,9 | 4       | 14,1 | 4,01  | 14,2 | 4,03    | 14,6 | 4,07    | 15   | 4,11  |      |
| 39                                      | 10,4                                   | 2,82                                   | 12,4 | 3,64    | 13,6 | 4,13    | 13,8 | 4,15  | 14   | 4,17    | 14,4 | 4,21    | 14,8 | 4,25  |      |
| 41                                      | 10,4                                   | 2,85                                   | 12,4 | 3,67    | 13,5 | 4,16    | 13,7 | 4,18  | 13,9 | 4,2     | 14,2 | 4,24    | 14,3 | 4,28  |      |
| 43                                      | 10,4                                   | 2,88                                   | 12,4 | 3,72    | 13,4 | 4,19    | 13,6 | 4,21  | 13,8 | 4,23    | 14   | 4,26    | 14,1 | 4,37  |      |
| 100%                                    | -5                                     | 9,5                                    | 1,21 | 11,3    | 1,46 | 13,1    | 1,73 | 14    | 1,86 | 14,9    | 2,01 | 16,7    | 2,29 | 17,7  | 2,39 |
|   | -2                                     | 9,5                                    | 1,22 | 11,3    | 1,47 | 13,1    | 1,75 | 14    | 1,89 | 14,9    | 2,04 | 16,7    | 2,32 | 17,7  | 2,41 |
|   | 0                                      | 9,5                                    | 1,24 | 11,3    | 1,49 | 13,1    | 1,77 | 14    | 1,91 | 14,9    | 2,06 | 16,7    | 2,36 | 17,7  | 2,44 |
|   | 2                                      | 9,5                                    | 1,26 | 11,3    | 1,51 | 13,1    | 1,79 | 14    | 1,94 | 14,9    | 2,08 | 16,7    | 2,39 | 17,7  | 2,48 |
|   | 4                                      | 9,5                                    | 1,27 | 11,3    | 1,52 | 13,1    | 1,82 | 14    | 1,97 | 14,9    | 2,11 | 16,7    | 2,42 | 17,7  | 2,5  |
|   | 6                                      | 9,5                                    | 1,29 | 11,3    | 1,56 | 13,1    | 1,84 | 14    | 2    | 14,9    | 2,14 | 16,7    | 2,45 | 17,7  | 2,54 |
|   | 8                                      | 9,5                                    | 1,31 | 11,3    | 1,58 | 13,1    | 1,87 | 14    | 2,03 | 14,9    | 2,18 | 16,7    | 2,49 | 17,7  | 2,58 |
|   | 10                                     | 9,5                                    | 1,33 | 11,3    | 1,61 | 13,1    | 1,9  | 14    | 2,06 | 14,9    | 2,22 | 16,7    | 2,53 | 17,7  | 2,62 |
|   | 12                                     | 9,5                                    | 1,35 | 11,3    | 1,64 | 13,1    | 1,94 | 14    | 2,1  | 14,9    | 2,26 | 16,7    | 2,58 | 17,4  | 2,64 |
|   | 14                                     | 9,5                                    | 1,37 | 11,3    | 1,67 | 13,1    | 1,98 | 14    | 2,14 | 14,9    | 2,3  | 16,7    | 2,63 | 17,2  | 2,67 |
|   | 16                                     | 9,5                                    | 1,4  | 11,3    | 1,7  | 13,1    | 2,02 | 14    | 2,18 | 14,9    | 2,35 | 16,7    | 2,66 | 17    | 2,7  |
|   | 18                                     | 9,5                                    | 1,43 | 11,3    | 1,73 | 13,1    | 2,05 | 14    | 2,22 | 14,9    | 2,39 | 16,5    | 2,75 | 16,8  | 2,77 |
|   | 20                                     | 9,5                                    | 1,45 | 11,3    | 1,77 | 13,1    | 2,12 | 14    | 2,33 | 14,9    | 2,56 | 16,2    | 2,88 | 16,5  | 2,91 |
|   | 21                                     | 9,5                                    | 1,47 | 11,3    | 1,78 | 13,1    | 2,19 | 14    | 2,42 | 14,9    | 2,65 | 16,1    | 2,95 | 16,5  | 2,97 |
|   | 23                                     | 9,5                                    | 1,5  | 11,3    | 1,9  | 13,1    | 2,35 | 14    | 2,59 | 14,9    | 2,84 | 15,9    | 3,08 | 16,2  | 3,11 |
|   | 25                                     | 9,5                                    | 1,6  | 11,3    | 2,03 | 13,1    | 2,52 | 14    | 2,78 | 14,9    | 3,05 | 15,7    | 3,22 | 16    | 3,24 |
|   | 27                                     | 9,5                                    | 1,71 | 11,3    | 2,17 | 13,1    | 2,69 | 14    | 2,97 | 14,9    | 3,26 | 15,4    | 3,35 | 15,8  | 3,38 |
|   | 29                                     | 9,5                                    | 1,82 | 11,3    | 2,31 | 13,1    | 2,87 | 14    | 3,17 | 14,8    | 3,46 | 15,2    | 3,49 | 15,5  | 3,52 |
|   | 31                                     | 9,5                                    | 1,94 | 11,3    | 2,47 | 13,1    | 3,06 | 14    | 3,38 | 14,6    | 3,6  | 15      | 3,63 | 15,3  | 3,66 |
|   | 33                                     | 9,5                                    | 2,06 | 11,3    | 2,63 | 13,1    | 3,26 | 14    | 3,61 | 14,4    | 3,73 | 14,8    | 3,76 | 15,1  | 3,8  |
| 35                                      | 9,5                                    | 2,19                                   | 11,3 | 2,8     | 13,1 | 3,48    | 14   | 3,85  | 14,1 | 3,87    | 14,5 | 3,9     | 14,8 | 3,93  |      |
| 37                                      | 9,5                                    | 2,33                                   | 11,3 | 2,98    | 13,1 | 3,71    | 13,7 | 3,98  | 13,9 | 4,01    | 14,3 | 4,04    | 14,6 | 4,07  |      |
| 39                                      | 9,5                                    | 2,47                                   | 11,3 | 3,17    | 13,1 | 3,95    | 13,5 | 4,12  | 13,7 | 4,14    | 14,1 | 4,18    | 14,4 | 4,22  |      |
| 41                                      | 9,5                                    | 2,59                                   | 11,3 | 3,28    | 13,1 | 4,09    | 13,3 | 4,15  | 13,6 | 4,2     | 13,8 | 4,28    | 14,2 | 4,31  |      |
| 43                                      | 9,5                                    | 2,71                                   | 11,3 | 3,4     | 13,1 | 4,17    | 13,1 | 4,2   | 13,5 | 4,24    | 13,9 | 4,3     | 13,9 | 4,35  |      |

kWf = Cooling capacity [kW]  
 kWe = Compressor + Fan power input [kW]  
 DB=Dry bulb  
 WB=Wet bulb

# Performance in Cooling

## MSAN-XMi 140M/140T

| Indoor/<br>Outdoor<br>Capacity<br>Ratio | Outdoor air<br>temperature<br>D.B.(°C) | Indoor air temperature D.B / W.B. (°C) |      |         |      |         |      |       |      |         |      |         |      |       |      |
|---|--|--|------|---------|------|---------|------|-------|------|---------|------|---------|------|-------|------|
|   |  | 20,8/14                                |      | 23,3/16 |      | 25,8/18 |      | 27/19 |      | 28,2/20 |      | 30,7/22 |      | 32/24 |      |
|   |  | kWf                                    | kWe  | kWf     | kWe  | kWf     | kWe  | kWf   | kWe  | kWf     | kWe  | kWf     | kWe  | kWf   | kWe  |
| 90%                                     | -5                                     | 8,5                                    | 1,07 | 10,2    | 1,28 | 11,8    | 1,51 | 12,6  | 1,65 | 13,4    | 1,76 | 15      | 2,02 | 16,7  | 2,31 |
|   | -2                                     | 8,5                                    | 1,08 | 10,2    | 1,3  | 11,8    | 1,53 | 12,6  | 1,67 | 13,4    | 1,78 | 15      | 2,04 | 16,7  | 2,34 |
|   | 0                                      | 8,5                                    | 1,1  | 10,2    | 1,31 | 11,8    | 1,56 | 12,6  | 1,69 | 13,4    | 1,8  | 15      | 2,06 | 16,7  | 2,35 |
|   | 2                                      | 8,5                                    | 1,11 | 10,2    | 1,33 | 11,8    | 1,57 | 12,6  | 1,72 | 13,4    | 1,83 | 15      | 2,11 | 16,7  | 2,39 |
|   | 4                                      | 8,5                                    | 1,13 | 10,2    | 1,35 | 11,8    | 1,6  | 12,6  | 1,74 | 13,4    | 1,85 | 15      | 2,14 | 16,7  | 2,42 |
|   | 6                                      | 8,5                                    | 1,14 | 10,2    | 1,37 | 11,8    | 1,63 | 12,6  | 1,78 | 13,4    | 1,88 | 15      | 2,17 | 16,7  | 2,46 |
|   | 8                                      | 8,5                                    | 1,17 | 10,2    | 1,4  | 11,8    | 1,66 | 12,6  | 1,8  | 13,4    | 1,92 | 15      | 2,21 | 16,7  | 2,49 |
|   | 10                                     | 8,5                                    | 1,19 | 10,2    | 1,43 | 11,8    | 1,69 | 12,6  | 1,83 | 13,4    | 1,96 | 15      | 2,24 | 16,7  | 2,53 |
|   | 12                                     | 8,5                                    | 1,21 | 10,2    | 1,46 | 11,8    | 1,72 | 12,6  | 1,86 | 13,4    | 2    | 15      | 2,28 | 16,7  | 2,57 |
|   | 14                                     | 8,5                                    | 1,23 | 10,2    | 1,48 | 11,8    | 1,75 | 12,6  | 1,89 | 13,4    | 2,03 | 15      | 2,32 | 16,7  | 2,62 |
|   | 16                                     | 8,5                                    | 1,25 | 10,2    | 1,51 | 11,8    | 1,79 | 12,6  | 1,93 | 13,4    | 2,08 | 15      | 2,37 | 16,6  | 2,67 |
|   | 18                                     | 8,5                                    | 1,27 | 10,2    | 1,54 | 11,8    | 1,82 | 12,6  | 1,97 | 13,4    | 2,12 | 15      | 2,42 | 16,5  | 2,75 |
|   | 20                                     | 8,5                                    | 1,3  | 10,2    | 1,58 | 11,8    | 1,86 | 12,6  | 2,01 | 13,4    | 2,19 | 15      | 2,6  | 16,2  | 2,88 |
|   | 21                                     | 8,5                                    | 1,31 | 10,2    | 1,59 | 11,8    | 1,89 | 12,6  | 2,08 | 13,4    | 2,27 | 15      | 2,69 | 16,1  | 2,95 |
|   | 23                                     | 8,5                                    | 1,33 | 10,2    | 1,65 | 11,8    | 2,02 | 12,6  | 2,23 | 13,4    | 2,44 | 15      | 2,89 | 15,8  | 3,08 |
|   | 25                                     | 8,5                                    | 1,41 | 10,2    | 1,76 | 11,8    | 2,16 | 12,6  | 2,38 | 13,4    | 2,6  | 15      | 3,09 | 15,7  | 3,22 |
|   | 27                                     | 8,5                                    | 1,49 | 10,2    | 1,88 | 11,8    | 2,31 | 12,6  | 2,54 | 13,4    | 2,79 | 15      | 3,31 | 15,4  | 3,35 |
|   | 29                                     | 8,5                                    | 1,59 | 10,2    | 2    | 11,8    | 2,46 | 12,6  | 2,71 | 13,4    | 2,98 | 14,9    | 3,46 | 15,2  | 3,49 |
|   | 31                                     | 8,5                                    | 1,69 | 10,2    | 2,13 | 11,8    | 2,63 | 12,6  | 2,9  | 13,4    | 3,18 | 14,7    | 3,6  | 14,9  | 3,63 |
|   | 33                                     | 8,5                                    | 1,8  | 10,2    | 2,27 | 11,8    | 2,8  | 12,6  | 3,09 | 13,4    | 3,39 | 14,4    | 3,74 | 14,7  | 3,76 |
| 35                                      | 8,5                                    | 1,91                                   | 10,2 | 2,41    | 11,8 | 2,98    | 12,6 | 3,29  | 13,4 | 3,61    | 14,2 | 3,87    | 14,5 | 3,9   |      |
| 37                                      | 8,5                                    | 2,02                                   | 10,2 | 2,56    | 11,8 | 3,18    | 12,6 | 3,5   | 13,4 | 3,85    | 13,9 | 4,01    | 14,3 | 4,04  |      |
| 39                                      | 8,5                                    | 2,15                                   | 10,2 | 2,73    | 11,8 | 3,38    | 12,6 | 3,73  | 13,4 | 4,1     | 13,8 | 4,15    | 14,1 | 4,18  |      |
| 41                                      | 8,5                                    | 2,22                                   | 10,2 | 2,85    | 11,8 | 3,5     | 12,6 | 3,83  | 13,4 | 4,12    | 13,7 | 4,25    | 14   | 4,28  |      |
| 43                                      | 8,5                                    | 2,33                                   | 10,2 | 2,98    | 11,8 | 3,62    | 12,6 | 3,93  | 13,4 | 4,21    | 13,6 | 4,31    | 13,8 | 4,34  |      |
| 80%                                     | -5                                     | 7,5                                    | 0,94 | 9       | 1,11 | 10,4    | 1,32 | 11,2  | 1,4  | 12      | 1,51 | 13,4    | 1,75 | 14,9  | 1,99 |
|   | -2                                     | 7,5                                    | 0,96 | 9       | 1,13 | 10,4    | 1,33 | 11,2  | 1,42 | 12      | 1,52 | 13,4    | 1,76 | 14,9  | 2,01 |
|   | 0                                      | 7,5                                    | 0,97 | 9       | 1,14 | 10,4    | 1,35 | 11,2  | 1,44 | 12      | 1,55 | 13,4    | 1,79 | 14,9  | 2,04 |
|   | 2                                      | 7,5                                    | 0,99 | 9       | 1,16 | 10,4    | 1,37 | 11,2  | 1,47 | 12      | 1,58 | 13,4    | 1,82 | 14,9  | 2,08 |
|   | 4                                      | 7,5                                    | 1,01 | 9       | 1,18 | 10,4    | 1,39 | 11,2  | 1,5  | 12      | 1,61 | 13,4    | 1,86 | 14,9  | 2,11 |
|   | 6                                      | 7,5                                    | 1,03 | 9       | 1,21 | 10,4    | 1,41 | 11,2  | 1,54 | 12      | 1,64 | 13,4    | 1,88 | 14,9  | 2,14 |
|   | 8                                      | 7,5                                    | 1,04 | 9       | 1,23 | 10,4    | 1,45 | 11,2  | 1,56 | 12      | 1,67 | 13,4    | 1,91 | 14,9  | 2,18 |
|   | 10                                     | 7,5                                    | 1,05 | 9       | 1,26 | 10,4    | 1,48 | 11,2  | 1,6  | 12      | 1,71 | 13,4    | 1,96 | 14,9  | 2,21 |
|   | 12                                     | 7,5                                    | 1,07 | 9       | 1,28 | 10,4    | 1,51 | 11,2  | 1,63 | 12      | 1,75 | 13,4    | 1,99 | 14,9  | 2,25 |
|   | 14                                     | 7,5                                    | 1,09 | 9       | 1,31 | 10,4    | 1,54 | 11,2  | 1,66 | 12      | 1,78 | 13,4    | 2,03 | 14,9  | 2,29 |
|   | 16                                     | 7,5                                    | 1,11 | 9       | 1,33 | 10,4    | 1,57 | 11,2  | 1,69 | 12      | 1,81 | 13,4    | 2,07 | 14,9  | 2,33 |
|   | 18                                     | 7,5                                    | 1,13 | 9       | 1,35 | 10,4    | 1,6  | 11,2  | 1,72 | 12      | 1,85 | 13,4    | 2,11 | 14,9  | 2,38 |
|   | 20                                     | 7,5                                    | 1,15 | 9       | 1,38 | 10,4    | 1,63 | 11,2  | 1,75 | 12      | 1,88 | 13,4    | 2,19 | 14,9  | 2,54 |
|   | 21                                     | 7,5                                    | 1,16 | 9       | 1,39 | 10,4    | 1,64 | 11,2  | 1,77 | 12      | 1,93 | 13,4    | 2,27 | 14,9  | 2,64 |
|   | 23                                     | 7,5                                    | 1,18 | 9       | 1,42 | 10,4    | 1,72 | 11,2  | 1,89 | 12      | 2,06 | 13,4    | 2,43 | 14,9  | 2,83 |
|   | 25                                     | 7,5                                    | 1,21 | 9       | 1,51 | 10,4    | 1,84 | 11,2  | 2,02 | 12      | 2,2  | 13,4    | 2,6  | 14,9  | 3,03 |
|   | 27                                     | 7,5                                    | 1,29 | 9       | 1,61 | 10,4    | 1,96 | 11,2  | 2,15 | 12      | 2,35 | 13,4    | 2,78 | 14,9  | 3,24 |
|   | 29                                     | 7,5                                    | 1,38 | 9       | 1,71 | 10,4    | 2,09 | 11,2  | 2,29 | 12      | 2,51 | 13,4    | 2,96 | 14,9  | 3,46 |
|   | 31                                     | 7,5                                    | 1,46 | 9       | 1,82 | 10,4    | 2,23 | 11,2  | 2,44 | 12      | 2,68 | 13,4    | 3,17 | 14,6  | 3,6  |
|   | 33                                     | 7,5                                    | 1,55 | 9       | 1,94 | 10,4    | 2,37 | 11,2  | 2,6  | 12      | 2,85 | 13,4    | 3,37 | 14,4  | 3,73 |
| 35                                      | 7,5                                    | 1,64                                   | 9    | 2,06    | 10,4 | 2,52    | 11,2 | 2,77  | 12   | 3,04    | 13,4 | 3,6     | 14,2 | 3,87  |      |
| 37                                      | 7,5                                    | 1,74                                   | 9    | 2,18    | 10,4 | 2,68    | 11,2 | 2,95  | 12   | 3,23    | 13,4 | 3,83    | 13,9 | 4     |      |
| 39                                      | 7,5                                    | 1,85                                   | 9    | 2,33    | 10,4 | 2,85    | 11,2 | 3,14  | 12   | 3,44    | 13,4 | 4,08    | 13,7 | 4,14  |      |
| 41                                      | 7,5                                    | 1,89                                   | 9    | 2,35    | 10,4 | 2,9     | 11,2 | 3,22  | 12   | 3,5     | 13,4 | 4,19    | 13,6 | 4,21  |      |
| 43                                      | 7,5                                    | 1,94                                   | 9    | 2,37    | 10,4 | 2,94    | 11,2 | 3,28  | 12   | 3,55    | 13,4 | 4,24    | 13,5 | 4,26  |      |

kWf = Cooling capacity [kW]  
 kWe = Compressor + Fan power input [kW]  
 DB=Dry bulb  
 WB=Wet bulb

# Performance in Cooling

## MSAN-XMi 140M/140T

| Indoor/<br>Outdoor<br>Capacity<br>Ratio | Outdoor air<br>temperature<br>D.B.(°C) | Indoor air temperature D.B / W.B. (°C) |      |         |      |         |      |       |      |         |      |         |      |       |      |
|---|--|--|------|---------|------|---------|------|-------|------|---------|------|---------|------|-------|------|
|   |  | 20,8/14                                |      | 23,3/16 |      | 25,8/18 |      | 27/19 |      | 28,2/20 |      | 30,7/22 |      | 32/24 |      |
|   |  | kWf                                    | kWe  | kWf     | kWe  | kWf     | kWe  | kWf   | kWe  | kWf     | kWe  | kWf     | kWe  | kWf   | kWe  |
| 70%                                     | -5                                     | 6,6                                    | 0,84 | 7,9     | 0,99 | 9,2     | 1,12 | 9,8   | 1,2  | 10,4    | 1,28 | 11,7    | 1,46 | 13    | 1,68 |
|   | -2                                     | 6,6                                    | 0,85 | 7,9     | 0,99 | 9,2     | 1,12 | 9,8   | 1,22 | 10,4    | 1,3  | 11,7    | 1,49 | 13    | 1,7  |
|   | 0                                      | 6,6                                    | 0,85 | 7,9     | 1    | 9,2     | 1,15 | 9,8   | 1,24 | 10,4    | 1,32 | 11,7    | 1,52 | 13    | 1,73 |
|   | 2                                      | 6,6                                    | 0,86 | 7,9     | 1,01 | 9,2     | 1,17 | 9,8   | 1,27 | 10,4    | 1,35 | 11,7    | 1,55 | 13    | 1,76 |
|   | 4                                      | 6,6                                    | 0,87 | 7,9     | 1,03 | 9,2     | 1,19 | 9,8   | 1,29 | 10,4    | 1,38 | 11,7    | 1,57 | 13    | 1,8  |
|   | 6                                      | 6,6                                    | 0,88 | 7,9     | 1,05 | 9,2     | 1,22 | 9,8   | 1,33 | 10,4    | 1,41 | 11,7    | 1,6  | 13    | 1,83 |
|   | 8                                      | 6,6                                    | 0,9  | 7,9     | 1,08 | 9,2     | 1,25 | 9,8   | 1,35 | 10,4    | 1,44 | 11,7    | 1,65 | 13    | 1,87 |
|   | 10                                     | 6,6                                    | 0,92 | 7,9     | 1,1  | 9,2     | 1,28 | 9,8   | 1,38 | 10,4    | 1,48 | 11,7    | 1,68 | 13    | 1,89 |
|   | 12                                     | 6,6                                    | 0,94 | 7,9     | 1,12 | 9,2     | 1,31 | 9,8   | 1,41 | 10,4    | 1,5  | 11,7    | 1,71 | 13    | 1,93 |
|   | 14                                     | 6,6                                    | 0,95 | 7,9     | 1,14 | 9,2     | 1,33 | 9,8   | 1,43 | 10,4    | 1,53 | 11,7    | 1,74 | 13    | 1,96 |
|   | 16                                     | 6,6                                    | 0,97 | 7,9     | 1,16 | 9,2     | 1,35 | 9,8   | 1,46 | 10,4    | 1,56 | 11,7    | 1,77 | 13    | 2    |
|   | 18                                     | 6,6                                    | 0,99 | 7,9     | 1,18 | 9,2     | 1,38 | 9,8   | 1,48 | 10,4    | 1,59 | 11,7    | 1,81 | 13    | 2,04 |
|   | 20                                     | 6,6                                    | 1    | 7,9     | 1,2  | 9,2     | 1,41 | 9,8   | 1,51 | 10,4    | 1,62 | 11,7    | 1,85 | 13    | 2,1  |
|   | 21                                     | 6,6                                    | 1,01 | 7,9     | 1,21 | 9,2     | 1,42 | 9,8   | 1,53 | 10,4    | 1,63 | 11,7    | 1,87 | 13    | 2,17 |
|   | 23                                     | 6,6                                    | 1,03 | 7,9     | 1,23 | 9,2     | 1,45 | 9,8   | 1,58 | 10,4    | 1,72 | 11,7    | 2,01 | 13    | 2,32 |
|   | 25                                     | 6,6                                    | 1,05 | 7,9     | 1,28 | 9,2     | 1,54 | 9,8   | 1,69 | 10,4    | 1,83 | 11,7    | 2,15 | 13    | 2,49 |
|   | 27                                     | 6,6                                    | 1,11 | 7,9     | 1,36 | 9,2     | 1,64 | 9,8   | 1,8  | 10,4    | 1,96 | 11,7    | 2,29 | 13    | 2,66 |
|   | 29                                     | 6,6                                    | 1,18 | 7,9     | 1,45 | 9,2     | 1,75 | 9,8   | 1,91 | 10,4    | 2,08 | 11,7    | 2,44 | 13    | 2,84 |
|   | 31                                     | 6,6                                    | 1,25 | 7,9     | 1,54 | 9,2     | 1,86 | 9,8   | 2,03 | 10,4    | 2,22 | 11,7    | 2,6  | 13    | 3,03 |
|   | 33                                     | 6,6                                    | 1,32 | 7,9     | 1,63 | 9,2     | 1,98 | 9,8   | 2,16 | 10,4    | 2,36 | 11,7    | 2,78 | 13    | 3,23 |
| 35                                      | 6,6                                    | 1,4                                    | 7,9  | 1,73    | 9,2  | 2,1     | 9,8  | 2,3   | 10,4 | 2,51    | 11,7 | 2,96    | 13   | 3,44  |      |
| 37                                      | 6,6                                    | 1,48                                   | 7,9  | 1,84    | 9,2  | 2,24    | 9,8  | 2,44  | 10,4 | 2,67    | 11,7 | 3,15    | 13   | 3,66  |      |
| 39                                      | 6,6                                    | 1,57                                   | 7,9  | 1,95    | 9,2  | 2,37    | 9,8  | 2,6   | 10,4 | 2,84    | 11,7 | 3,35    | 13   | 3,9   |      |
| 41                                      | 6,6                                    | 1,64                                   | 7,9  | 2,01    | 9,2  | 2,44    | 9,8  | 2,69  | 10,4 | 2,92    | 11,7 | 3,49    | 13   | 4,07  |      |
| 43                                      | 6,6                                    | 1,77                                   | 7,9  | 2,15    | 9,2  | 2,54    | 9,8  | 2,83  | 10,4 | 3,01    | 11,7 | 3,61    | 13   | 4,2   |      |
| 60%                                     | -5                                     | 5,6                                    | 0,72 | 6,8     | 0,83 | 7,8     | 0,97 | 8,4   | 1,03 | 9       | 1,12 | 10      | 1,25 | 11,2  | 1,44 |
|   | -2                                     | 5,6                                    | 0,72 | 6,8     | 0,85 | 7,8     | 0,99 | 8,4   | 1,05 | 9       | 1,13 | 10      | 1,27 | 11,2  | 1,45 |
|   | 0                                      | 5,6                                    | 0,73 | 6,8     | 0,86 | 7,8     | 1    | 8,4   | 1,06 | 9       | 1,15 | 10      | 1,29 | 11,2  | 1,46 |
|   | 2                                      | 5,6                                    | 0,75 | 6,8     | 0,88 | 7,8     | 1,02 | 8,4   | 1,08 | 9       | 1,16 | 10      | 1,32 | 11,2  | 1,48 |
|   | 4                                      | 5,6                                    | 0,77 | 6,8     | 0,89 | 7,8     | 1,04 | 8,4   | 1,09 | 9       | 1,18 | 10      | 1,34 | 11,2  | 1,5  |
|   | 6                                      | 5,6                                    | 0,77 | 6,8     | 0,91 | 7,8     | 1,06 | 8,4   | 1,12 | 9       | 1,2  | 10      | 1,36 | 11,2  | 1,54 |
|   | 8                                      | 5,6                                    | 0,79 | 6,8     | 0,92 | 7,8     | 1,08 | 8,4   | 1,14 | 9       | 1,23 | 10      | 1,39 | 11,2  | 1,56 |
|   | 10                                     | 5,6                                    | 0,8  | 6,8     | 0,94 | 7,8     | 1,09 | 8,4   | 1,17 | 9       | 1,25 | 10      | 1,42 | 11,2  | 1,59 |
|   | 12                                     | 5,6                                    | 0,82 | 6,8     | 0,96 | 7,8     | 1,12 | 8,4   | 1,19 | 9       | 1,27 | 10      | 1,44 | 11,2  | 1,61 |
|   | 14                                     | 5,6                                    | 0,83 | 6,8     | 0,98 | 7,8     | 1,13 | 8,4   | 1,21 | 9       | 1,3  | 10      | 1,47 | 11,2  | 1,64 |
|   | 16                                     | 5,6                                    | 0,84 | 6,8     | 0,99 | 7,8     | 1,15 | 8,4   | 1,23 | 9       | 1,32 | 10      | 1,49 | 11,2  | 1,68 |
|   | 18                                     | 5,6                                    | 0,86 | 6,8     | 1,01 | 7,8     | 1,17 | 8,4   | 1,26 | 9       | 1,34 | 10      | 1,52 | 11,2  | 1,71 |
|   | 20                                     | 5,6                                    | 0,87 | 6,8     | 1,03 | 7,8     | 1,19 | 8,4   | 1,28 | 9       | 1,37 | 10      | 1,55 | 11,2  | 1,74 |
|   | 21                                     | 5,6                                    | 0,88 | 6,8     | 1,03 | 7,8     | 1,2  | 8,4   | 1,29 | 9       | 1,38 | 10      | 1,57 | 11,2  | 1,76 |
|   | 23                                     | 5,6                                    | 0,89 | 6,8     | 1,05 | 7,8     | 1,22 | 8,4   | 1,32 | 9       | 1,41 | 10      | 1,63 | 11,2  | 1,87 |
|   | 25                                     | 5,6                                    | 0,9  | 6,8     | 1,07 | 7,8     | 1,27 | 8,4   | 1,38 | 9       | 1,49 | 10      | 1,74 | 11,2  | 2    |
|   | 27                                     | 5,6                                    | 0,94 | 6,8     | 1,14 | 7,8     | 1,35 | 8,4   | 1,47 | 9       | 1,59 | 10      | 1,85 | 11,2  | 2,13 |
|   | 29                                     | 5,6                                    | 0,99 | 6,8     | 1,2  | 7,8     | 1,44 | 8,4   | 1,57 | 9       | 1,7  | 10      | 1,98 | 11,2  | 2,28 |
|   | 31                                     | 5,6                                    | 1,05 | 6,8     | 1,28 | 7,8     | 1,53 | 8,4   | 1,67 | 9       | 1,81 | 10      | 2,1  | 11,2  | 2,42 |
|   | 33                                     | 5,6                                    | 1,11 | 6,8     | 1,35 | 7,8     | 1,62 | 8,4   | 1,77 | 9       | 1,92 | 10      | 2,24 | 11,2  | 2,58 |
| 35                                      | 5,6                                    | 1,18                                   | 6,8  | 1,44    | 7,8  | 1,72    | 8,4  | 1,88  | 9    | 2,04    | 10   | 2,38    | 11,2 | 2,75  |      |
| 37                                      | 5,6                                    | 1,25                                   | 6,8  | 1,52    | 7,8  | 1,83    | 8,4  | 1,99  | 9    | 2,16    | 10   | 2,53    | 11,2 | 2,93  |      |
| 39                                      | 5,6                                    | 1,31                                   | 6,8  | 1,61    | 7,8  | 1,94    | 8,4  | 2,11  | 9    | 2,3     | 10   | 2,69    | 11,2 | 3,11  |      |
| 41                                      | 5,6                                    | 1,35                                   | 6,8  | 1,68    | 7,8  | 2,01    | 8,4  | 2,2   | 9    | 2,38    | 10   | 2,81    | 11,2 | 3,25  |      |
| 43                                      | 5,6                                    | 1,4                                    | 6,8  | 1,75    | 7,8  | 2,08    | 8,4  | 2,26  | 9    | 2,47    | 10   | 2,93    | 11,2 | 3,39  |      |

kWf = Cooling capacity [kW]  
 kWe = Compressor + Fan power input [kW]  
 DB=Dry bulb  
 WB=Wet bulb

# Performance in Cooling

## MSAN-XMi 140M/140T

| Indoor/<br>Outdoor<br>Capacity<br>Ratio | Outdoor air<br>temperature<br>D.B.(°C) | Indoor air temperature D.B / W.B. (°C) |      |         |      |         |      |       |      |         |      |         |      |       |      |
|---|--|--|------|---------|------|---------|------|-------|------|---------|------|---------|------|-------|------|
|   |  | 20,8/14                                |      | 23,3/16 |      | 25,8/18 |      | 27/19 |      | 28,2/20 |      | 30,7/22 |      | 32/24 |      |
|   |  | kWf                                    | kWe  | kWf     | kWe  | kWf     | kWe  | kWf   | kWe  | kWf     | kWe  | kWf     | kWe  | kWf   | kWe  |
| 50%                                     | -5                                     | 4,7                                    | 0,62 | 5,6     | 0,72 | 6,5     | 0,83 | 7     | 0,87 | 7,5     | 0,91 | 8,4     | 1,04 | 9,3   | 1,12 |
|   | -2                                     | 4,7                                    | 0,63 | 5,6     | 0,74 | 6,5     | 0,84 | 7     | 0,88 | 7,5     | 0,93 | 8,4     | 1,05 | 9,3   | 1,14 |
|   | 0                                      | 4,7                                    | 0,64 | 5,6     | 0,75 | 6,5     | 0,85 | 7     | 0,89 | 7,5     | 0,94 | 8,4     | 1,07 | 9,3   | 1,16 |
|   | 2                                      | 4,7                                    | 0,65 | 5,6     | 0,76 | 6,5     | 0,87 | 7     | 0,9  | 7,5     | 0,96 | 8,4     | 1,08 | 9,3   | 1,18 |
|   | 4                                      | 4,7                                    | 0,65 | 5,6     | 0,77 | 6,5     | 0,88 | 7     | 0,91 | 7,5     | 0,98 | 8,4     | 1,1  | 9,3   | 1,21 |
|   | 6                                      | 4,7                                    | 0,67 | 5,6     | 0,78 | 6,5     | 0,89 | 7     | 0,94 | 7,5     | 1    | 8,4     | 1,12 | 9,3   | 1,24 |
|   | 8                                      | 4,7                                    | 0,68 | 5,6     | 0,8  | 6,5     | 0,9  | 7     | 0,96 | 7,5     | 1,01 | 8,4     | 1,14 | 9,3   | 1,28 |
|   | 10                                     | 4,7                                    | 0,7  | 5,6     | 0,8  | 6,5     | 0,92 | 7     | 0,97 | 7,5     | 1,04 | 8,4     | 1,17 | 9,3   | 1,3  |
|   | 12                                     | 4,7                                    | 0,7  | 5,6     | 0,81 | 6,5     | 0,93 | 7     | 0,99 | 7,5     | 1,06 | 8,4     | 1,19 | 9,3   | 1,32 |
|   | 14                                     | 4,7                                    | 0,71 | 5,6     | 0,82 | 6,5     | 0,94 | 7     | 1,01 | 7,5     | 1,07 | 8,4     | 1,21 | 9,3   | 1,35 |
|   | 16                                     | 4,7                                    | 0,72 | 5,6     | 0,84 | 6,5     | 0,96 | 7     | 1,03 | 7,5     | 1,09 | 8,4     | 1,23 | 9,3   | 1,37 |
|   | 18                                     | 4,7                                    | 0,73 | 5,6     | 0,85 | 6,5     | 0,98 | 7     | 1,04 | 7,5     | 1,11 | 8,4     | 1,25 | 9,3   | 1,4  |
|   | 20                                     | 4,7                                    | 0,74 | 5,6     | 0,86 | 6,5     | 0,99 | 7     | 1,06 | 7,5     | 1,13 | 8,4     | 1,27 | 9,3   | 1,42 |
|   | 21                                     | 4,7                                    | 0,75 | 5,6     | 0,87 | 6,5     | 1    | 7     | 1,07 | 7,5     | 1,14 | 8,4     | 1,29 | 9,3   | 1,44 |
|   | 23                                     | 4,7                                    | 0,76 | 5,6     | 0,88 | 6,5     | 1,02 | 7     | 1,09 | 7,5     | 1,16 | 8,4     | 1,31 | 9,3   | 1,47 |
|   | 25                                     | 4,7                                    | 0,77 | 5,6     | 0,9  | 6,5     | 1,04 | 7     | 1,11 | 7,5     | 1,2  | 8,4     | 1,37 | 9,3   | 1,57 |
|   | 27                                     | 4,7                                    | 0,78 | 5,6     | 0,93 | 6,5     | 1,09 | 7     | 1,18 | 7,5     | 1,27 | 8,4     | 1,46 | 9,3   | 1,67 |
|   | 29                                     | 4,7                                    | 0,82 | 5,6     | 0,99 | 6,5     | 1,16 | 7     | 1,26 | 7,5     | 1,35 | 8,4     | 1,56 | 9,3   | 1,78 |
|   | 31                                     | 4,7                                    | 0,87 | 5,6     | 1,04 | 6,5     | 1,23 | 7     | 1,33 | 7,5     | 1,44 | 8,4     | 1,65 | 9,3   | 1,89 |
|   | 33                                     | 4,7                                    | 0,92 | 5,6     | 1,11 | 6,5     | 1,31 | 7     | 1,41 | 7,5     | 1,53 | 8,4     | 1,76 | 9,3   | 2,01 |
| 35                                      | 4,7                                    | 0,98                                   | 5,6  | 1,17    | 6,5  | 1,38    | 7    | 1,49  | 7,5  | 1,61    | 8,4  | 1,87    | 9,3  | 2,14  |      |
| 37                                      | 4,7                                    | 1,03                                   | 5,6  | 1,23    | 6,5  | 1,46    | 7    | 1,58  | 7,5  | 1,71    | 8,4  | 1,98    | 9,3  | 2,27  |      |
| 39                                      | 4,7                                    | 1,08                                   | 5,6  | 1,3     | 6,5  | 1,55    | 7    | 1,68  | 7,5  | 1,82    | 8,4  | 2,1     | 9,3  | 2,41  |      |
| 41                                      | 4,7                                    | 1,13                                   | 5,6  | 1,36    | 6,5  | 1,6     | 7    | 1,75  | 7,5  | 1,89    | 8,4  | 2,21    | 9,3  | 2,52  |      |
| 43                                      | 4,7                                    | 1,2                                    | 5,6  | 1,45    | 6,5  | 1,66    | 7    | 1,83  | 7,5  | 1,94    | 8,4  | 2,33    | 9,3  | 2,64  |      |

kWf = Cooling capacity [kW]

kWe = Compressor + Fan power input [kW]

DB=Dry bulb

WB=Wet bulb

Notes:

It is recommended to have system with Indoor/Outdoor Capacity Ratio less than 130%

Avoid running the unit in cooling mode when outdoor air temperature is above 43°C DB

The above capacity tables show the average values in operating conditions

# Performance in Cooling

## MSAN-XMi 160M/160T

| Indoor/<br>Outdoor<br>Capacity<br>Ratio | Outdoor air<br>temperature<br>D.B.(°C) | Indoor air temperature D.B / W.B. (°C) |      |         |      |         |      |       |      |         |      |         |      |       |      |
|---|--|--|------|---------|------|---------|------|-------|------|---------|------|---------|------|-------|------|
|   |  | 20,8/14                                |      | 23,3/16 |      | 25,8/18 |      | 27/19 |      | 28,2/20 |      | 30,7/22 |      | 32/24 |      |
|   |  | kWf                                    | kWe  | kWf     | kWe  | kWf     | kWe  | kWf   | kWe  | kWf     | kWe  | kWf     | kWe  | kWf   | kWe  |
| 130%                                    | -5                                     | 13,6                                   | 1,79 | 16,2    | 2,19 | 18,8    | 2,35 | 19,5  | 2,44 | 20,5    | 2,51 | 21      | 2,73 | 21,5  | 2,75 |
|   | -2                                     | 13,6                                   | 1,79 | 16,2    | 2,23 | 18,8    | 2,35 | 19,5  | 2,46 | 20,5    | 2,51 | 21      | 2,77 | 21,5  | 2,78 |
|   | 0                                      | 13,6                                   | 1,83 | 16,2    | 2,27 | 18,8    | 2,43 | 19,5  | 2,59 | 20,5    | 2,66 | 21      | 2,8  | 21,5  | 2,81 |
|   | 2                                      | 13,6                                   | 1,86 | 16,2    | 2,28 | 18,8    | 2,52 | 19,5  | 2,74 | 20,5    | 2,69 | 21      | 2,82 | 21,5  | 2,86 |
|   | 4                                      | 13,6                                   | 1,9  | 16,2    | 2,32 | 18,8    | 2,6  | 19,5  | 2,75 | 20,5    | 2,72 | 21      | 2,86 | 21,5  | 2,91 |
|   | 6                                      | 13,6                                   | 1,94 | 16,2    | 2,37 | 18,8    | 2,7  | 19,5  | 2,77 | 20,3    | 2,81 | 20,7    | 2,91 | 21,3  | 2,93 |
|   | 8                                      | 13,6                                   | 1,98 | 16,2    | 2,42 | 18,8    | 2,84 | 19,5  | 2,91 | 20      | 2,9  | 20,5    | 2,92 | 21    | 2,96 |
|   | 10                                     | 13,6                                   | 2,02 | 16,2    | 2,47 | 18,8    | 2,94 | 19,5  | 3,01 | 19,8    | 2,95 | 20,3    | 2,96 | 20,8  | 3,05 |
|   | 12                                     | 13,6                                   | 2,06 | 16,2    | 2,52 | 18,8    | 3    | 19,3  | 3,05 | 19,5    | 3    | 20      | 3,01 | 20,5  | 3,07 |
|   | 14                                     | 13,6                                   | 2,1  | 16,2    | 2,57 | 18,8    | 3,04 | 19    | 3,1  | 19,3    | 3,04 | 19,8    | 3,05 | 20,3  | 3,13 |
|   | 16                                     | 13,6                                   | 2,14 | 16,2    | 2,62 | 18,5    | 3,09 | 18,8  | 3,14 | 19      | 3,13 | 19,5    | 3,1  | 20    | 3,18 |
|   | 18                                     | 13,6                                   | 2,18 | 16,2    | 2,67 | 18,3    | 3,14 | 18,5  | 3,15 | 18,8    | 3,17 | 19,3    | 3,2  | 19,8  | 3,23 |
|   | 20                                     | 13,6                                   | 2,22 | 16,2    | 2,85 | 18      | 3,29 | 18,3  | 3,31 | 18,5    | 3,33 | 19      | 3,35 | 19,5  | 3,39 |
|   | 21                                     | 13,6                                   | 2,28 | 16,2    | 2,95 | 17,9    | 3,37 | 18,2  | 3,38 | 18,4    | 3,4  | 18,9    | 3,44 | 19,4  | 3,47 |
|   | 23                                     | 13,6                                   | 2,45 | 16,2    | 3,16 | 17,7    | 3,52 | 17,9  | 3,54 | 18,1    | 3,56 | 18,6    | 3,59 | 19,1  | 3,63 |
|   | 25                                     | 13,6                                   | 2,62 | 16,2    | 3,38 | 17,4    | 3,67 | 17,6  | 3,69 | 17,9    | 3,72 | 18,4    | 3,75 | 18,9  | 3,79 |
|   | 27                                     | 13,6                                   | 2,79 | 16,2    | 3,62 | 17,2    | 3,83 | 17,4  | 3,85 | 17,6    | 3,87 | 18,1    | 3,91 | 18,6  | 3,95 |
|   | 29                                     | 13,6                                   | 2,98 | 16,2    | 3,87 | 16,9    | 3,98 | 17,1  | 4,01 | 17,4    | 4,03 | 17,9    | 4,07 | 18,4  | 4,11 |
|   | 31                                     | 13,6                                   | 3,18 | 16,2    | 4,09 | 16,6    | 4,14 | 16,9  | 4,17 | 17,1    | 4,18 | 17,6    | 4,23 | 18,1  | 4,28 |
|   | 33                                     | 13,6                                   | 3,39 | 15,9    | 4,25 | 16,4    | 4,3  | 16,6  | 4,32 | 16,9    | 4,34 | 17,4    | 4,39 | 17,8  | 4,44 |
| 35                                      | 13,6                                   | 3,62                                   | 15,6 | 4,4     | 16,1 | 4,46    | 16,4 | 4,48  | 16,6 | 4,5     | 17,1 | 4,56    | 17,6 | 4,6   |      |
| 37                                      | 13,6                                   | 3,85                                   | 15,4 | 4,56    | 15,9 | 4,62    | 16,1 | 4,64  | 16,4 | 4,67    | 16,8 | 4,72    | 17,3 | 4,78  |      |
| 39                                      | 13,6                                   | 4,09                                   | 15,1 | 4,61    | 15,6 | 4,77    | 15,9 | 4,8   | 16,1 | 4,83    | 16,6 | 4,88    | 17,1 | 4,94  |      |
| 41                                      | 13,6                                   | 4,31                                   | 15   | 4,65    | 15,4 | 4,81    | 15,7 | 4,84  | 15,9 | 4,87    | 16,4 | 4,89    | 16,4 | 4,99  |      |
| 43                                      | 13,6                                   | 4,42                                   | 14,8 | 4,68    | 15,4 | 4,83    | 15,6 | 4,87  | 15,8 | 4,88    | 16,1 | 4,9     | 16,3 | 5     |      |
| 120%                                    | -5                                     | 12,6                                   | 1,73 | 14,9    | 2,1  | 17,4    | 2,48 | 18,6  | 2,71 | 19,5    | 2,82 | 19,9    | 2,91 | 20,4  | 2,99 |
|   | -2                                     | 12,6                                   | 1,75 | 14,9    | 2,12 | 17,4    | 2,51 | 18,6  | 2,72 | 19,5    | 2,86 | 19,9    | 2,94 | 20,4  | 3    |
|   | 0                                      | 12,6                                   | 1,77 | 14,9    | 2,14 | 17,4    | 2,54 | 18,6  | 2,73 | 19,5    | 2,88 | 19,9    | 2,95 | 20,4  | 3,01 |
|   | 2                                      | 12,6                                   | 1,77 | 14,9    | 2,16 | 17,4    | 2,55 | 18,6  | 2,76 | 19,5    | 2,89 | 19,9    | 2,98 | 20,4  | 3,01 |
|   | 4                                      | 12,6                                   | 1,79 | 14,9    | 2,19 | 17,4    | 2,59 | 18,6  | 2,78 | 19,5    | 2,93 | 19,9    | 2,98 | 20,4  | 3,02 |
|   | 6                                      | 12,6                                   | 1,81 | 14,9    | 2,2  | 17,4    | 2,62 | 18,6  | 2,81 | 19,5    | 2,96 | 19,9    | 3,01 | 20,4  | 3,03 |
|   | 8                                      | 12,6                                   | 1,82 | 14,9    | 2,22 | 17,4    | 2,66 | 18,6  | 2,85 | 19,5    | 2,99 | 19,9    | 3,02 | 20,4  | 3,04 |
|   | 10                                     | 12,6                                   | 1,85 | 14,9    | 2,25 | 17,4    | 2,68 | 18,6  | 2,9  | 19,5    | 2,99 | 19,9    | 3,03 | 20,4  | 3,06 |
|   | 12                                     | 12,6                                   | 1,88 | 14,9    | 2,3  | 17,4    | 2,73 | 18,6  | 2,95 | 19,2    | 3,01 | 19,7    | 3,01 | 20,1  | 3,08 |
|   | 14                                     | 12,6                                   | 1,92 | 14,9    | 2,34 | 17,4    | 2,79 | 18,6  | 3,01 | 18,9    | 3,03 | 19,4    | 3,05 | 19,9  | 3,11 |
|   | 16                                     | 12,6                                   | 1,95 | 14,9    | 2,39 | 17,4    | 2,84 | 18,5  | 3,01 | 18,7    | 3,07 | 19,2    | 3,11 | 19,6  | 3,16 |
|   | 18                                     | 12,6                                   | 1,99 | 14,9    | 2,44 | 17,4    | 2,93 | 18,2  | 3,14 | 18,4    | 3,15 | 18,9    | 3,18 | 19,4  | 3,21 |
|   | 20                                     | 12,6                                   | 2,03 | 14,9    | 2,53 | 17,4    | 3,16 | 18    | 3,29 | 18,2    | 3,3  | 18,7    | 3,33 | 19,1  | 3,36 |
|   | 21                                     | 12,6                                   | 2,05 | 14,9    | 2,62 | 17,4    | 3,27 | 17,8  | 3,37 | 18      | 3,38 | 18,5    | 3,41 | 19    | 3,44 |
|   | 23                                     | 12,6                                   | 2,19 | 14,9    | 2,81 | 17,4    | 3,5  | 17,6  | 3,51 | 17,8    | 3,53 | 18,3    | 3,57 | 18,7  | 3,6  |
|   | 25                                     | 12,6                                   | 2,34 | 14,9    | 3,01 | 17,1    | 3,66 | 17,3  | 3,67 | 17,5    | 3,69 | 18      | 3,72 | 18,5  | 3,76 |
|   | 27                                     | 12,6                                   | 2,5  | 14,9    | 3,21 | 16,9    | 3,8  | 17,1  | 3,83 | 17,3    | 3,85 | 17,8    | 3,88 | 18,2  | 3,92 |
|   | 29                                     | 12,6                                   | 2,66 | 14,9    | 3,43 | 16,6    | 3,96 | 16,8  | 3,98 | 17,1    | 4    | 17,5    | 4,04 | 18    | 4,08 |
|   | 31                                     | 12,6                                   | 2,84 | 14,9    | 3,66 | 16,3    | 4,12 | 16,6  | 4,14 | 16,8    | 4,16 | 17,3    | 4,2  | 17,7  | 4,24 |
|   | 33                                     | 12,6                                   | 3,02 | 14,9    | 3,91 | 16,1    | 4,27 | 16,3  | 4,3  | 16,6    | 4,31 | 17      | 4,36 | 17,4  | 4,4  |
| 35                                      | 12,6                                   | 3,22                                   | 14,9 | 4,17    | 15,8 | 4,42    | 16,1 | 4,45  | 16,3 | 4,47    | 16,8 | 4,52    | 17,2 | 4,57  |      |
| 37                                      | 12,6                                   | 3,43                                   | 14,9 | 4,44    | 15,6 | 4,59    | 15,8 | 4,61  | 16,1 | 4,63    | 16,5 | 4,68    | 16,9 | 4,73  |      |
| 39                                      | 12,6                                   | 3,64                                   | 14,9 | 4,69    | 15,3 | 4,74    | 15,6 | 4,77  | 15,8 | 4,79    | 16,3 | 4,85    | 16,7 | 4,89  |      |
| 41                                      | 12,6                                   | 3,74                                   | 14,8 | 4,72    | 15,2 | 4,77    | 15,4 | 4,8   | 15,7 | 4,83    | 16,2 | 4,86    | 16,2 | 4,93  |      |
| 43                                      | 12,6                                   | 3,8                                    | 14,7 | 4,75    | 15,1 | 4,8     | 15,3 | 4,82  | 15,5 | 4,84    | 15,9 | 4,87    | 16   | 5,03  |      |

kWf = Cooling capacity [kW]  
 kWe = Compressor + Fan power input [kW]  
 DB=Dry bulb  
 WB=Wet bulb

# Performance in Cooling

## MSAN-XMi 160M/160T

| Indoor/<br>Outdoor<br>Capacity<br>Ratio | Outdoor air<br>temperature<br>D.B.(°C) | Indoor air temperature D.B / W.B. (°C) |      |         |      |         |      |       |      |         |      |         |      |       |      |
|---|--|--|------|---------|------|---------|------|-------|------|---------|------|---------|------|-------|------|
|   |  | 20,8/14                                |      | 23,3/16 |      | 25,8/18 |      | 27/19 |      | 28,2/20 |      | 30,7/22 |      | 32/24 |      |
|   |  | kWf                                    | kWe  | kWf     | kWe  | kWf     | kWe  | kWf   | kWe  | kWf     | kWe  | kWf     | kWe  | kWf   | kWe  |
| 110%                                    | -5                                     | 11,5                                   | 1,51 | 13,7    | 1,88 | 15,9    | 2,25 | 17,1  | 2,41 | 18,2    | 2,6  | 19,5    | 2,7  | 20    | 2,78 |
|   | -2                                     | 11,5                                   | 1,54 | 13,7    | 1,91 | 15,9    | 2,27 | 17,1  | 2,44 | 18,2    | 2,62 | 19,5    | 2,72 | 20    | 2,8  |
|   | 0                                      | 11,5                                   | 1,56 | 13,7    | 1,92 | 15,9    | 2,28 | 17,1  | 2,45 | 18,2    | 2,65 | 19,5    | 2,75 | 20    | 2,83 |
|   | 2                                      | 11,5                                   | 1,59 | 13,7    | 1,94 | 15,9    | 2,32 | 17,1  | 2,48 | 18,2    | 2,67 | 19,5    | 2,79 | 20    | 2,86 |
|   | 4                                      | 11,5                                   | 1,62 | 13,7    | 1,96 | 15,9    | 2,34 | 17,1  | 2,51 | 18,2    | 2,72 | 19,5    | 2,83 | 20    | 2,89 |
|   | 6                                      | 11,5                                   | 1,64 | 13,7    | 1,98 | 15,9    | 2,37 | 17,1  | 2,55 | 18,2    | 2,75 | 19,5    | 2,86 | 20    | 2,93 |
|   | 8                                      | 11,5                                   | 1,65 | 13,7    | 2,01 | 15,9    | 2,39 | 17,1  | 2,58 | 18,2    | 2,78 | 19,5    | 2,88 | 20    | 2,97 |
|   | 10                                     | 11,5                                   | 1,67 | 13,7    | 2,04 | 15,9    | 2,43 | 17,1  | 2,62 | 18,2    | 2,82 | 19,5    | 2,9  | 20    | 2,99 |
|   | 12                                     | 11,5                                   | 1,71 | 13,7    | 2,08 | 15,9    | 2,47 | 17,1  | 2,67 | 18,2    | 2,88 | 19,3    | 2,94 | 19,7  | 3,03 |
|   | 14                                     | 11,5                                   | 1,74 | 13,7    | 2,12 | 15,9    | 2,52 | 17,1  | 2,72 | 18,2    | 2,93 | 19      | 2,96 | 19,5  | 3,05 |
|   | 16                                     | 11,5                                   | 1,77 | 13,7    | 2,16 | 15,9    | 2,57 | 17,1  | 2,77 | 18,2    | 2,99 | 18,8    | 3    | 19,2  | 3,09 |
|   | 18                                     | 11,5                                   | 1,8  | 13,7    | 2,2  | 15,9    | 2,62 | 17,1  | 2,85 | 18,2    | 3,13 | 18,5    | 3,15 | 19    | 3,18 |
|   | 20                                     | 11,5                                   | 1,84 | 13,7    | 2,25 | 15,9    | 2,77 | 17,1  | 3,06 | 17,9    | 3,28 | 18,3    | 3,31 | 18,7  | 3,34 |
|   | 21                                     | 11,5                                   | 1,86 | 13,7    | 2,31 | 15,9    | 2,88 | 17,1  | 3,18 | 17,8    | 3,36 | 18,2    | 3,38 | 18,6  | 3,41 |
|   | 23                                     | 11,5                                   | 1,95 | 13,7    | 2,48 | 15,9    | 3,08 | 17,1  | 3,41 | 17,5    | 3,51 | 17,9    | 3,54 | 18,3  | 3,57 |
|   | 25                                     | 11,5                                   | 2,08 | 13,7    | 2,65 | 15,9    | 3,3  | 17,1  | 3,65 | 17,3    | 3,66 | 17,7    | 3,7  | 18,1  | 3,73 |
|   | 27                                     | 11,5                                   | 2,21 | 13,7    | 2,83 | 15,9    | 3,53 | 16,8  | 3,8  | 17      | 3,82 | 17,4    | 3,85 | 17,8  | 3,89 |
|   | 29                                     | 11,5                                   | 2,36 | 13,7    | 3,02 | 15,9    | 3,77 | 16,6  | 3,96 | 16,8    | 3,98 | 17,2    | 4,01 | 17,6  | 4,05 |
|   | 31                                     | 11,5                                   | 2,51 | 13,7    | 3,22 | 15,9    | 4,02 | 16,3  | 4,11 | 16,5    | 4,13 | 16,9    | 4,17 | 17,3  | 4,21 |
|   | 33                                     | 11,5                                   | 2,67 | 13,7    | 3,44 | 15,8    | 4,24 | 16,1  | 4,27 | 16,3    | 4,28 | 16,7    | 4,33 | 17,1  | 4,37 |
| 35                                      | 11,5                                   | 2,85                                   | 13,7 | 3,66    | 15,6 | 4,4     | 15,8 | 4,42  | 16   | 4,44    | 16,4 | 4,48    | 16,8 | 4,53  |      |
| 37                                      | 11,5                                   | 3,03                                   | 13,7 | 3,9     | 15,3 | 4,56    | 15,6 | 4,57  | 15,7 | 4,6     | 16,2 | 4,64    | 16,6 | 4,69  |      |
| 39                                      | 11,5                                   | 3,22                                   | 13,7 | 4,15    | 15,1 | 4,71    | 15,3 | 4,73  | 15,5 | 4,76    | 15,9 | 4,8     | 16,3 | 4,85  |      |
| 41                                      | 11,5                                   | 3,25                                   | 13,7 | 4,19    | 14,9 | 4,74    | 15,2 | 4,77  | 15,4 | 4,79    | 15,7 | 4,84    | 15,8 | 4,88  |      |
| 43                                      | 11,5                                   | 3,28                                   | 13,7 | 4,24    | 14,8 | 4,78    | 15   | 4,8   | 15,3 | 4,82    | 15,5 | 4,86    | 15,6 | 4,98  |      |
| 100%                                    | -5                                     | 10,5                                   | 1,38 | 12,5    | 1,66 | 14,5    | 1,98 | 15,5  | 2,12 | 16,5    | 2,3  | 18,5    | 2,62 | 19,6  | 2,73 |
|   | -2                                     | 10,5                                   | 1,4  | 12,5    | 1,68 | 14,5    | 2    | 15,5  | 2,16 | 16,5    | 2,33 | 18,5    | 2,65 | 19,6  | 2,75 |
|   | 0                                      | 10,5                                   | 1,41 | 12,5    | 1,7  | 14,5    | 2,02 | 15,5  | 2,18 | 16,5    | 2,35 | 18,5    | 2,69 | 19,6  | 2,78 |
|   | 2                                      | 10,5                                   | 1,44 | 12,5    | 1,72 | 14,5    | 2,04 | 15,5  | 2,21 | 16,5    | 2,37 | 18,5    | 2,73 | 19,6  | 2,82 |
|   | 4                                      | 10,5                                   | 1,45 | 12,5    | 1,74 | 14,5    | 2,07 | 15,5  | 2,24 | 16,5    | 2,41 | 18,5    | 2,76 | 19,6  | 2,85 |
|   | 6                                      | 10,5                                   | 1,47 | 12,5    | 1,77 | 14,5    | 2,1  | 15,5  | 2,28 | 16,5    | 2,44 | 18,5    | 2,8  | 19,6  | 2,9  |
|   | 8                                      | 10,5                                   | 1,5  | 12,5    | 1,8  | 14,5    | 2,14 | 15,5  | 2,31 | 16,5    | 2,48 | 18,5    | 2,84 | 19,6  | 2,95 |
|   | 10                                     | 10,5                                   | 1,51 | 12,5    | 1,83 | 14,5    | 2,17 | 15,5  | 2,35 | 16,5    | 2,53 | 18,5    | 2,89 | 19,6  | 2,99 |
|   | 12                                     | 10,5                                   | 1,54 | 12,5    | 1,87 | 14,5    | 2,21 | 15,5  | 2,39 | 16,5    | 2,57 | 18,5    | 2,94 | 19,3  | 3,01 |
|   | 14                                     | 10,5                                   | 1,57 | 12,5    | 1,91 | 14,5    | 2,25 | 15,5  | 2,44 | 16,5    | 2,62 | 18,5    | 3    | 19,1  | 3,05 |
|   | 16                                     | 10,5                                   | 1,6  | 12,5    | 1,94 | 14,5    | 2,3  | 15,5  | 2,48 | 16,5    | 2,67 | 18,4    | 3,04 | 18,8  | 3,08 |
|   | 18                                     | 10,5                                   | 1,63 | 12,5    | 1,98 | 14,5    | 2,34 | 15,5  | 2,53 | 16,5    | 2,73 | 18,2    | 3,14 | 18,6  | 3,16 |
|   | 20                                     | 10,5                                   | 1,66 | 12,5    | 2,02 | 14,5    | 2,41 | 15,5  | 2,66 | 16,5    | 2,92 | 17,9    | 3,28 | 18,3  | 3,31 |
|   | 21                                     | 10,5                                   | 1,67 | 12,5    | 2,04 | 14,5    | 2,5  | 15,5  | 2,76 | 16,5    | 3,02 | 17,8    | 3,36 | 18,2  | 3,39 |
|   | 23                                     | 10,5                                   | 1,72 | 12,5    | 2,17 | 14,5    | 2,68 | 15,5  | 2,95 | 16,5    | 3,24 | 17,6    | 3,51 | 17,9  | 3,54 |
|   | 25                                     | 10,5                                   | 1,83 | 12,5    | 2,32 | 14,5    | 2,87 | 15,5  | 3,17 | 16,5    | 3,47 | 17,3    | 3,67 | 17,7  | 3,7  |
|   | 27                                     | 10,5                                   | 1,95 | 12,5    | 2,47 | 14,5    | 3,06 | 15,5  | 3,38 | 16,5    | 3,72 | 17,1    | 3,82 | 17,4  | 3,86 |
|   | 29                                     | 10,5                                   | 2,08 | 12,5    | 2,64 | 14,5    | 3,27 | 15,5  | 3,62 | 16,4    | 3,95 | 16,8    | 3,98 | 17,2  | 4,01 |
|   | 31                                     | 10,5                                   | 2,21 | 12,5    | 2,82 | 14,5    | 3,49 | 15,5  | 3,86 | 16,2    | 4,1  | 16,6    | 4,14 | 16,9  | 4,17 |
|   | 33                                     | 10,5                                   | 2,35 | 12,5    | 3    | 14,5    | 3,72 | 15,5  | 4,12 | 15,9    | 4,25 | 16,3    | 4,29 | 16,7  | 4,33 |
| 35                                      | 10,5                                   | 2,5                                    | 12,5 | 3,19    | 14,5 | 3,97    | 15,5 | 4,39  | 15,7 | 4,41    | 16,1 | 4,45    | 16,4 | 4,48  |      |
| 37                                      | 10,5                                   | 2,66                                   | 12,5 | 3,4     | 14,5 | 4,23    | 15,2 | 4,54  | 15,4 | 4,57    | 15,8 | 4,61    | 16,2 | 4,64  |      |
| 39                                      | 10,5                                   | 2,82                                   | 12,5 | 3,61    | 14,5 | 4,5     | 15   | 4,7   | 15,2 | 4,72    | 15,6 | 4,76    | 15,9 | 4,81  |      |
| 41                                      | 10,5                                   | 2,95                                   | 12,5 | 3,74    | 14,5 | 4,67    | 14,8 | 4,73  | 15,1 | 4,79    | 15,3 | 4,87    | 15,7 | 4,91  |      |
| 43                                      | 10,5                                   | 3,09                                   | 12,5 | 3,87    | 14,5 | 4,75    | 14,5 | 4,79  | 14,9 | 4,84    | 15,4 | 4,91    | 15,4 | 4,96  |      |

kWf = Cooling capacity [kW]  
 kWe = Compressor + Fan power input [kW]  
 DB=Dry bulb  
 WB=Wet bulb



# Performance in Cooling

## MSAN-XMi 160M/160T

| Indoor/<br>Outdoor<br>Capacity<br>Ratio | Outdoor air<br>temperature<br>D.B.(°C) | Indoor air temperature D.B / W.B. (°C) |      |         |      |         |      |       |      |         |      |         |      |       |      |
|---|--|--|------|---------|------|---------|------|-------|------|---------|------|---------|------|-------|------|
|   |  | 20,8/14                                |      | 23,3/16 |      | 25,8/18 |      | 27/19 |      | 28,2/20 |      | 30,7/22 |      | 32/24 |      |
|   |  | kWf                                    | kWe  | kWf     | kWe  | kWf     | kWe  | kWf   | kWe  | kWf     | kWe  | kWf     | kWe  | kWf   | kWe  |
| 90%                                     | -5                                     | 9,4                                    | 1,22 | 11,2    | 1,46 | 13,1    | 1,73 | 14    | 1,88 | 14,8    | 2    | 16,7    | 2,3  | 18,5  | 2,64 |
|   | -2                                     | 9,4                                    | 1,23 | 11,2    | 1,48 | 13,1    | 1,75 | 14    | 1,91 | 14,8    | 2,03 | 16,7    | 2,33 | 18,5  | 2,66 |
|   | 0                                      | 9,4                                    | 1,25 | 11,2    | 1,5  | 13,1    | 1,77 | 14    | 1,93 | 14,8    | 2,05 | 16,7    | 2,35 | 18,5  | 2,68 |
|   | 2                                      | 9,4                                    | 1,27 | 11,2    | 1,52 | 13,1    | 1,79 | 14    | 1,96 | 14,8    | 2,09 | 16,7    | 2,4  | 18,5  | 2,72 |
|   | 4                                      | 9,4                                    | 1,29 | 11,2    | 1,54 | 13,1    | 1,82 | 14    | 1,99 | 14,8    | 2,11 | 16,7    | 2,44 | 18,5  | 2,76 |
|   | 6                                      | 9,4                                    | 1,3  | 11,2    | 1,57 | 13,1    | 1,86 | 14    | 2,03 | 14,8    | 2,15 | 16,7    | 2,48 | 18,5  | 2,81 |
|   | 8                                      | 9,4                                    | 1,33 | 11,2    | 1,6  | 13,1    | 1,89 | 14    | 2,05 | 14,8    | 2,19 | 16,7    | 2,52 | 18,5  | 2,84 |
|   | 10                                     | 9,4                                    | 1,35 | 11,2    | 1,63 | 13,1    | 1,93 | 14    | 2,08 | 14,8    | 2,24 | 16,7    | 2,55 | 18,5  | 2,88 |
|   | 12                                     | 9,4                                    | 1,38 | 11,2    | 1,66 | 13,1    | 1,96 | 14    | 2,12 | 14,8    | 2,28 | 16,7    | 2,6  | 18,5  | 2,93 |
|   | 14                                     | 9,4                                    | 1,4  | 11,2    | 1,69 | 13,1    | 2    | 14    | 2,16 | 14,8    | 2,32 | 16,7    | 2,65 | 18,5  | 2,99 |
|   | 16                                     | 9,4                                    | 1,43 | 11,2    | 1,72 | 13,1    | 2,04 | 14    | 2,2  | 14,8    | 2,37 | 16,7    | 2,7  | 18,4  | 3,04 |
|   | 18                                     | 9,4                                    | 1,45 | 11,2    | 1,76 | 13,1    | 2,08 | 14    | 2,24 | 14,8    | 2,41 | 16,7    | 2,76 | 18,2  | 3,14 |
|   | 20                                     | 9,4                                    | 1,48 | 11,2    | 1,8  | 13,1    | 2,12 | 14    | 2,29 | 14,8    | 2,5  | 16,7    | 2,96 | 17,9  | 3,28 |
|   | 21                                     | 9,4                                    | 1,49 | 11,2    | 1,81 | 13,1    | 2,15 | 14    | 2,37 | 14,8    | 2,59 | 16,7    | 3,07 | 17,8  | 3,36 |
|   | 23                                     | 9,4                                    | 1,52 | 11,2    | 1,88 | 13,1    | 2,31 | 14    | 2,54 | 14,8    | 2,78 | 16,7    | 3,3  | 17,5  | 3,51 |
|   | 25                                     | 9,4                                    | 1,6  | 11,2    | 2,01 | 13,1    | 2,47 | 14    | 2,72 | 14,8    | 2,97 | 16,7    | 3,53 | 17,3  | 3,67 |
|   | 27                                     | 9,4                                    | 1,7  | 11,2    | 2,14 | 13,1    | 2,63 | 14    | 2,9  | 14,8    | 3,18 | 16,7    | 3,77 | 17    | 3,82 |
|   | 29                                     | 9,4                                    | 1,82 | 11,2    | 2,28 | 13,1    | 2,81 | 14    | 3,09 | 14,8    | 3,4  | 16,5    | 3,95 | 16,8  | 3,98 |
|   | 31                                     | 9,4                                    | 1,93 | 11,2    | 2,43 | 13,1    | 2,99 | 14    | 3,3  | 14,8    | 3,62 | 16,2    | 4,1  | 16,6  | 4,14 |
|   | 33                                     | 9,4                                    | 2,05 | 11,2    | 2,59 | 13,1    | 3,19 | 14    | 3,52 | 14,8    | 3,86 | 16      | 4,26 | 16,3  | 4,29 |
| 35                                      | 9,4                                    | 2,18                                   | 11,2 | 2,75    | 13,1 | 3,4     | 14   | 3,75  | 14,8 | 4,12    | 15,7 | 4,41    | 16,1 | 4,45  |      |
| 37                                      | 9,4                                    | 2,31                                   | 11,2 | 2,92    | 13,1 | 3,62    | 14   | 3,99  | 14,8 | 4,39    | 15,4 | 4,57    | 15,8 | 4,6   |      |
| 39                                      | 9,4                                    | 2,45                                   | 11,2 | 3,11    | 13,1 | 3,85    | 14   | 4,25  | 14,8 | 4,67    | 15,2 | 4,73    | 15,6 | 4,76  |      |
| 41                                      | 9,4                                    | 2,53                                   | 11,2 | 3,25    | 13,1 | 3,99    | 14   | 4,37  | 14,8 | 4,7     | 15,1 | 4,85    | 15,5 | 4,87  |      |
| 43                                      | 9,4                                    | 2,66                                   | 11,2 | 3,39    | 13,1 | 4,13    | 14   | 4,48  | 14,8 | 4,8     | 15   | 4,91    | 15,3 | 4,95  |      |
| 80%                                     | -5                                     | 8,4                                    | 1,07 | 10      | 1,27 | 11,6    | 1,5  | 12,4  | 1,6  | 13,2    | 1,72 | 14,8    | 1,99 | 16,4  | 2,27 |
|   | -2                                     | 8,4                                    | 1,09 | 10      | 1,29 | 11,6    | 1,52 | 12,4  | 1,62 | 13,2    | 1,74 | 14,8    | 2,01 | 16,4  | 2,29 |
|   | 0                                      | 8,4                                    | 1,11 | 10      | 1,3  | 11,6    | 1,54 | 12,4  | 1,64 | 13,2    | 1,77 | 14,8    | 2,04 | 16,4  | 2,33 |
|   | 2                                      | 8,4                                    | 1,13 | 10      | 1,32 | 11,6    | 1,56 | 12,4  | 1,67 | 13,2    | 1,8  | 14,8    | 2,08 | 16,4  | 2,37 |
|   | 4                                      | 8,4                                    | 1,15 | 10      | 1,34 | 11,6    | 1,59 | 12,4  | 1,71 | 13,2    | 1,83 | 14,8    | 2,12 | 16,4  | 2,4  |
|   | 6                                      | 8,4                                    | 1,17 | 10      | 1,37 | 11,6    | 1,61 | 12,4  | 1,75 | 13,2    | 1,87 | 14,8    | 2,15 | 16,4  | 2,44 |
|   | 8                                      | 8,4                                    | 1,19 | 10      | 1,41 | 11,6    | 1,65 | 12,4  | 1,78 | 13,2    | 1,91 | 14,8    | 2,18 | 16,4  | 2,49 |
|   | 10                                     | 8,4                                    | 1,2  | 10      | 1,44 | 11,6    | 1,69 | 12,4  | 1,82 | 13,2    | 1,95 | 14,8    | 2,23 | 16,4  | 2,51 |
|   | 12                                     | 8,4                                    | 1,22 | 10      | 1,46 | 11,6    | 1,72 | 12,4  | 1,86 | 13,2    | 1,99 | 14,8    | 2,27 | 16,4  | 2,56 |
|   | 14                                     | 8,4                                    | 1,24 | 10      | 1,49 | 11,6    | 1,75 | 12,4  | 1,89 | 13,2    | 2,03 | 14,8    | 2,31 | 16,4  | 2,61 |
|   | 16                                     | 8,4                                    | 1,26 | 10      | 1,51 | 11,6    | 1,79 | 12,4  | 1,92 | 13,2    | 2,07 | 14,8    | 2,36 | 16,4  | 2,66 |
|   | 18                                     | 8,4                                    | 1,28 | 10      | 1,54 | 11,6    | 1,82 | 12,4  | 1,96 | 13,2    | 2,11 | 14,8    | 2,41 | 16,4  | 2,71 |
|   | 20                                     | 8,4                                    | 1,31 | 10      | 1,57 | 11,6    | 1,86 | 12,4  | 2    | 13,2    | 2,15 | 14,8    | 2,5  | 16,4  | 2,9  |
|   | 21                                     | 8,4                                    | 1,32 | 10      | 1,59 | 11,6    | 1,88 | 12,4  | 2,02 | 13,2    | 2,2  | 14,8    | 2,59 | 16,4  | 3,01 |
|   | 23                                     | 8,4                                    | 1,34 | 10      | 1,62 | 11,6    | 1,96 | 12,4  | 2,15 | 13,2    | 2,35 | 14,8    | 2,77 | 16,4  | 3,22 |
|   | 25                                     | 8,4                                    | 1,38 | 10      | 1,72 | 11,6    | 2,1  | 12,4  | 2,3  | 13,2    | 2,51 | 14,8    | 2,96 | 16,4  | 3,45 |
|   | 27                                     | 8,4                                    | 1,47 | 10      | 1,83 | 11,6    | 2,24 | 12,4  | 2,46 | 13,2    | 2,68 | 14,8    | 3,17 | 16,4  | 3,69 |
|   | 29                                     | 8,4                                    | 1,57 | 10      | 1,95 | 11,6    | 2,38 | 12,4  | 2,62 | 13,2    | 2,86 | 14,8    | 3,38 | 16,4  | 3,95 |
|   | 31                                     | 8,4                                    | 1,66 | 10      | 2,08 | 11,6    | 2,54 | 12,4  | 2,79 | 13,2    | 3,05 | 14,8    | 3,61 | 16,2  | 4,1  |
|   | 33                                     | 8,4                                    | 1,77 | 10      | 2,21 | 11,6    | 2,7  | 12,4  | 2,97 | 13,2    | 3,25 | 14,8    | 3,85 | 15,9  | 4,25 |
| 35                                      | 8,4                                    | 1,88                                   | 10   | 2,35    | 11,6 | 2,88    | 12,4 | 3,16  | 13,2 | 3,46    | 14,8 | 4,1     | 15,7 | 4,41  |      |
| 37                                      | 8,4                                    | 1,99                                   | 10   | 2,49    | 11,6 | 3,06    | 12,4 | 3,37  | 13,2 | 3,69    | 14,8 | 4,37    | 15,4 | 4,56  |      |
| 39                                      | 8,4                                    | 2,11                                   | 10   | 2,66    | 11,6 | 3,25    | 12,4 | 3,58  | 13,2 | 3,92    | 14,8 | 4,66    | 15,2 | 4,72  |      |
| 41                                      | 8,4                                    | 2,15                                   | 10   | 2,68    | 11,6 | 3,3     | 12,4 | 3,67  | 13,2 | 3,99    | 14,8 | 4,77    | 15,1 | 4,8   |      |
| 43                                      | 8,4                                    | 2,22                                   | 10   | 2,7     | 11,6 | 3,35    | 12,4 | 3,74  | 13,2 | 4,05    | 14,8 | 4,83    | 15   | 4,86  |      |

kWf = Cooling capacity [kW]  
 kWe = Compressor + Fan power input [kW]  
 DB=Dry bulb  
 WB=Wet bulb

# Performance in Cooling

## MSAN-XMi 160M/160T

| Indoor/<br>Outdoor<br>Capacity<br>Ratio | Outdoor air<br>temperature<br>D.B.(°C) | Indoor air temperature D.B / W.B. (°C) |      |         |      |         |      |       |      |         |      |         |      |       |      |
|---|--|--|------|---------|------|---------|------|-------|------|---------|------|---------|------|-------|------|
|   |  | 20,8/14                                |      | 23,3/16 |      | 25,8/18 |      | 27/19 |      | 28,2/20 |      | 30,7/22 |      | 32/24 |      |
|   |  | kWf                                    | kWe  | kWf     | kWe  | kWf     | kWe  | kWf   | kWe  | kWf     | kWe  | kWf     | kWe  | kWf   | kWe  |
| 70%                                     | -5                                     | 7,3                                    | 0,96 | 8,7     | 1,12 | 10,1    | 1,27 | 10,9  | 1,37 | 11,6    | 1,46 | 13      | 1,67 | 14,4  | 1,92 |
|   | -2                                     | 7,3                                    | 0,97 | 8,7     | 1,13 | 10,1    | 1,28 | 10,9  | 1,39 | 11,6    | 1,48 | 13      | 1,69 | 14,4  | 1,94 |
|   | 0                                      | 7,3                                    | 0,97 | 8,7     | 1,15 | 10,1    | 1,31 | 10,9  | 1,42 | 11,6    | 1,51 | 13      | 1,73 | 14,4  | 1,97 |
|   | 2                                      | 7,3                                    | 0,98 | 8,7     | 1,15 | 10,1    | 1,33 | 10,9  | 1,44 | 11,6    | 1,54 | 13      | 1,77 | 14,4  | 2    |
|   | 4                                      | 7,3                                    | 0,99 | 8,7     | 1,18 | 10,1    | 1,36 | 10,9  | 1,47 | 11,6    | 1,57 | 13      | 1,79 | 14,4  | 2,05 |
|   | 6                                      | 7,3                                    | 1,01 | 8,7     | 1,2  | 10,1    | 1,39 | 10,9  | 1,52 | 11,6    | 1,61 | 13      | 1,83 | 14,4  | 2,09 |
|   | 8                                      | 7,3                                    | 1,02 | 8,7     | 1,23 | 10,1    | 1,42 | 10,9  | 1,54 | 11,6    | 1,64 | 13      | 1,88 | 14,4  | 2,13 |
|   | 10                                     | 7,3                                    | 1,05 | 8,7     | 1,25 | 10,1    | 1,46 | 10,9  | 1,57 | 11,6    | 1,69 | 13      | 1,92 | 14,4  | 2,15 |
|   | 12                                     | 7,3                                    | 1,07 | 8,7     | 1,27 | 10,1    | 1,49 | 10,9  | 1,6  | 11,6    | 1,72 | 13      | 1,95 | 14,4  | 2,2  |
|   | 14                                     | 7,3                                    | 1,09 | 8,7     | 1,3  | 10,1    | 1,51 | 10,9  | 1,63 | 11,6    | 1,75 | 13      | 1,99 | 14,4  | 2,24 |
|   | 16                                     | 7,3                                    | 1,11 | 8,7     | 1,32 | 10,1    | 1,54 | 10,9  | 1,66 | 11,6    | 1,78 | 13      | 2,02 | 14,4  | 2,28 |
|   | 18                                     | 7,3                                    | 1,12 | 8,7     | 1,34 | 10,1    | 1,57 | 10,9  | 1,69 | 11,6    | 1,81 | 13      | 2,06 | 14,4  | 2,33 |
|   | 20                                     | 7,3                                    | 1,14 | 8,7     | 1,37 | 10,1    | 1,6  | 10,9  | 1,72 | 11,6    | 1,85 | 13      | 2,11 | 14,4  | 2,39 |
|   | 21                                     | 7,3                                    | 1,15 | 8,7     | 1,38 | 10,1    | 1,62 | 10,9  | 1,74 | 11,6    | 1,86 | 13      | 2,14 | 14,4  | 2,47 |
|   | 23                                     | 7,3                                    | 1,17 | 8,7     | 1,4  | 10,1    | 1,65 | 10,9  | 1,8  | 11,6    | 1,96 | 13      | 2,29 | 14,4  | 2,65 |
|   | 25                                     | 7,3                                    | 1,2  | 8,7     | 1,46 | 10,1    | 1,76 | 10,9  | 1,92 | 11,6    | 2,09 | 13      | 2,45 | 14,4  | 2,83 |
|   | 27                                     | 7,3                                    | 1,27 | 8,7     | 1,56 | 10,1    | 1,88 | 10,9  | 2,05 | 11,6    | 2,23 | 13      | 2,62 | 14,4  | 3,03 |
|   | 29                                     | 7,3                                    | 1,34 | 8,7     | 1,65 | 10,1    | 1,99 | 10,9  | 2,18 | 11,6    | 2,37 | 13      | 2,79 | 14,4  | 3,24 |
|   | 31                                     | 7,3                                    | 1,42 | 8,7     | 1,75 | 10,1    | 2,12 | 10,9  | 2,32 | 11,6    | 2,53 | 13      | 2,97 | 14,4  | 3,45 |
|   | 33                                     | 7,3                                    | 1,51 | 8,7     | 1,86 | 10,1    | 2,26 | 10,9  | 2,47 | 11,6    | 2,69 | 13      | 3,17 | 14,4  | 3,68 |
| 35                                      | 7,3                                    | 1,6                                    | 8,7  | 1,98    | 10,1 | 2,4     | 10,9 | 2,63  | 11,6 | 2,86    | 13   | 3,37    | 14,4 | 3,92  |      |
| 37                                      | 7,3                                    | 1,69                                   | 8,7  | 2,09    | 10,1 | 2,55    | 10,9 | 2,79  | 11,6 | 3,05    | 13   | 3,59    | 14,4 | 4,18  |      |
| 39                                      | 7,3                                    | 1,79                                   | 8,7  | 2,22    | 10,1 | 2,7     | 10,9 | 2,96  | 11,6 | 3,24    | 13   | 3,82    | 14,4 | 4,45  |      |
| 41                                      | 7,3                                    | 1,87                                   | 8,7  | 2,3     | 10,1 | 2,78    | 10,9 | 3,06  | 11,6 | 3,33    | 13   | 3,97    | 14,4 | 4,65  |      |
| 43                                      | 7,3                                    | 2,02                                   | 8,7  | 2,46    | 10,1 | 2,9     | 10,9 | 3,23  | 11,6 | 3,43    | 13   | 4,12    | 14,4 | 4,79  |      |
| 60%                                     | -5                                     | 6,3                                    | 0,82 | 7,5     | 0,95 | 8,7     | 1,11 | 9,3   | 1,18 | 9,9     | 1,27 | 11,1    | 1,43 | 12,3  | 1,64 |
|   | -2                                     | 6,3                                    | 0,82 | 7,5     | 0,96 | 8,7     | 1,13 | 9,3   | 1,19 | 9,9     | 1,28 | 11,1    | 1,45 | 12,3  | 1,65 |
|   | 0                                      | 6,3                                    | 0,84 | 7,5     | 0,98 | 8,7     | 1,14 | 9,3   | 1,21 | 9,9     | 1,31 | 11,1    | 1,47 | 12,3  | 1,67 |
|   | 2                                      | 6,3                                    | 0,85 | 7,5     | 1    | 8,7     | 1,16 | 9,3   | 1,23 | 9,9     | 1,32 | 11,1    | 1,5  | 12,3  | 1,69 |
|   | 4                                      | 6,3                                    | 0,87 | 7,5     | 1,02 | 8,7     | 1,18 | 9,3   | 1,25 | 9,9     | 1,34 | 11,1    | 1,52 | 12,3  | 1,72 |
|   | 6                                      | 6,3                                    | 0,88 | 7,5     | 1,04 | 8,7     | 1,21 | 9,3   | 1,28 | 9,9     | 1,37 | 11,1    | 1,56 | 12,3  | 1,76 |
|   | 8                                      | 6,3                                    | 0,9  | 7,5     | 1,05 | 8,7     | 1,23 | 9,3   | 1,3  | 9,9     | 1,4  | 11,1    | 1,58 | 12,3  | 1,78 |
|   | 10                                     | 6,3                                    | 0,92 | 7,5     | 1,08 | 8,7     | 1,25 | 9,3   | 1,34 | 9,9     | 1,43 | 11,1    | 1,61 | 12,3  | 1,81 |
|   | 12                                     | 6,3                                    | 0,93 | 7,5     | 1,09 | 8,7     | 1,27 | 9,3   | 1,36 | 9,9     | 1,45 | 11,1    | 1,64 | 12,3  | 1,84 |
|   | 14                                     | 6,3                                    | 0,95 | 7,5     | 1,11 | 8,7     | 1,29 | 9,3   | 1,38 | 9,9     | 1,48 | 11,1    | 1,67 | 12,3  | 1,88 |
|   | 16                                     | 6,3                                    | 0,96 | 7,5     | 1,13 | 8,7     | 1,31 | 9,3   | 1,41 | 9,9     | 1,5  | 11,1    | 1,7  | 12,3  | 1,91 |
|   | 18                                     | 6,3                                    | 0,98 | 7,5     | 1,15 | 8,7     | 1,34 | 9,3   | 1,43 | 9,9     | 1,53 | 11,1    | 1,73 | 12,3  | 1,95 |
|   | 20                                     | 6,3                                    | 0,99 | 7,5     | 1,17 | 8,7     | 1,36 | 9,3   | 1,46 | 9,9     | 1,56 | 11,1    | 1,77 | 12,3  | 1,99 |
|   | 21                                     | 6,3                                    | 1    | 7,5     | 1,18 | 8,7     | 1,37 | 9,3   | 1,47 | 9,9     | 1,57 | 11,1    | 1,79 | 12,3  | 2,01 |
|   | 23                                     | 6,3                                    | 1,01 | 7,5     | 1,2  | 8,7     | 1,4  | 9,3   | 1,5  | 9,9     | 1,6  | 11,1    | 1,86 | 12,3  | 2,14 |
|   | 25                                     | 6,3                                    | 1,03 | 7,5     | 1,22 | 8,7     | 1,45 | 9,3   | 1,57 | 9,9     | 1,7  | 11,1    | 1,98 | 12,3  | 2,28 |
|   | 27                                     | 6,3                                    | 1,07 | 7,5     | 1,3  | 8,7     | 1,54 | 9,3   | 1,68 | 9,9     | 1,82 | 11,1    | 2,11 | 12,3  | 2,43 |
|   | 29                                     | 6,3                                    | 1,13 | 7,5     | 1,37 | 8,7     | 1,64 | 9,3   | 1,79 | 9,9     | 1,93 | 11,1    | 2,25 | 12,3  | 2,6  |
|   | 31                                     | 6,3                                    | 1,2  | 7,5     | 1,46 | 8,7     | 1,75 | 9,3   | 1,9  | 9,9     | 2,06 | 11,1    | 2,4  | 12,3  | 2,76 |
|   | 33                                     | 6,3                                    | 1,27 | 7,5     | 1,54 | 8,7     | 1,85 | 9,3   | 2,02 | 9,9     | 2,19 | 11,1    | 2,55 | 12,3  | 2,95 |
| 35                                      | 6,3                                    | 1,34                                   | 7,5  | 1,64    | 8,7  | 1,96    | 9,3  | 2,14  | 9,9  | 2,32    | 11,1 | 2,72    | 12,3 | 3,14  |      |
| 37                                      | 6,3                                    | 1,42                                   | 7,5  | 1,73    | 8,7  | 2,08    | 9,3  | 2,27  | 9,9  | 2,47    | 11,1 | 2,89    | 12,3 | 3,34  |      |
| 39                                      | 6,3                                    | 1,5                                    | 7,5  | 1,83    | 8,7  | 2,21    | 9,3  | 2,41  | 9,9  | 2,62    | 11,1 | 3,06    | 12,3 | 3,55  |      |
| 41                                      | 6,3                                    | 1,54                                   | 7,5  | 1,91    | 8,7  | 2,29    | 9,3  | 2,5   | 9,9  | 2,72    | 11,1 | 3,21    | 12,3 | 3,71  |      |
| 43                                      | 6,3                                    | 1,59                                   | 7,5  | 1,99    | 8,7  | 2,37    | 9,3  | 2,58  | 9,9  | 2,81    | 11,1 | 3,34    | 12,3 | 3,87  |      |

kWf = Cooling capacity [kW]  
 kWe = Compressor + Fan power input [kW]  
 DB=Dry bulb  
 WB=Wet bulb

# Performance in Cooling

## MSAN-XMi 160M/160T

| Indoor/<br>Outdoor<br>Capacity<br>Ratio | Outdoor air<br>temperature<br>D.B.(°C) | Indoor air temperature D.B / W.B. (°C) |      |         |      |         |      |       |      |         |      |         |      |       |      |
|---|--|--|------|---------|------|---------|------|-------|------|---------|------|---------|------|-------|------|
|   |  | 20,8/14                                |      | 23,3/16 |      | 25,8/18 |      | 27/19 |      | 28,2/20 |      | 30,7/22 |      | 32/24 |      |
|   |  | kWf                                    | kWe  | kWf     | kWe  | kWf     | kWe  | kWf   | kWe  | kWf     | kWe  | kWf     | kWe  | kWf   | kWe  |
| 50%                                     | -5                                     | 5,2                                    | 0,71 | 6,3     | 0,82 | 7,3     | 0,94 | 7,8   | 0,99 | 8,2     | 1,04 | 9,2     | 1,19 | 10,3  | 1,28 |
|   | -2                                     | 5,2                                    | 0,72 | 6,3     | 0,84 | 7,3     | 0,95 | 7,8   | 1    | 8,2     | 1,06 | 9,2     | 1,2  | 10,3  | 1,29 |
|   | 0                                      | 5,2                                    | 0,73 | 6,3     | 0,85 | 7,3     | 0,97 | 7,8   | 1,02 | 8,2     | 1,07 | 9,2     | 1,22 | 10,3  | 1,32 |
|   | 2                                      | 5,2                                    | 0,74 | 6,3     | 0,86 | 7,3     | 0,99 | 7,8   | 1,03 | 8,2     | 1,09 | 9,2     | 1,23 | 10,3  | 1,34 |
|   | 4                                      | 5,2                                    | 0,75 | 6,3     | 0,88 | 7,3     | 1    | 7,8   | 1,04 | 8,2     | 1,11 | 9,2     | 1,26 | 10,3  | 1,38 |
|   | 6                                      | 5,2                                    | 0,76 | 6,3     | 0,89 | 7,3     | 1,01 | 7,8   | 1,07 | 8,2     | 1,13 | 9,2     | 1,28 | 10,3  | 1,42 |
|   | 8                                      | 5,2                                    | 0,78 | 6,3     | 0,91 | 7,3     | 1,03 | 7,8   | 1,09 | 8,2     | 1,15 | 9,2     | 1,3  | 10,3  | 1,46 |
|   | 10                                     | 5,2                                    | 0,79 | 6,3     | 0,92 | 7,3     | 1,05 | 7,8   | 1,11 | 8,2     | 1,18 | 9,2     | 1,33 | 10,3  | 1,48 |
|   | 12                                     | 5,2                                    | 0,8  | 6,3     | 0,93 | 7,3     | 1,06 | 7,8   | 1,13 | 8,2     | 1,21 | 9,2     | 1,35 | 10,3  | 1,51 |
|   | 14                                     | 5,2                                    | 0,81 | 6,3     | 0,94 | 7,3     | 1,08 | 7,8   | 1,15 | 8,2     | 1,22 | 9,2     | 1,38 | 10,3  | 1,54 |
|   | 16                                     | 5,2                                    | 0,82 | 6,3     | 0,95 | 7,3     | 1,09 | 7,8   | 1,17 | 8,2     | 1,24 | 9,2     | 1,4  | 10,3  | 1,56 |
|   | 18                                     | 5,2                                    | 0,83 | 6,3     | 0,97 | 7,3     | 1,11 | 7,8   | 1,19 | 8,2     | 1,27 | 9,2     | 1,43 | 10,3  | 1,59 |
|   | 20                                     | 5,2                                    | 0,85 | 6,3     | 0,98 | 7,3     | 1,13 | 7,8   | 1,21 | 8,2     | 1,29 | 9,2     | 1,45 | 10,3  | 1,62 |
|   | 21                                     | 5,2                                    | 0,85 | 6,3     | 0,99 | 7,3     | 1,14 | 7,8   | 1,22 | 8,2     | 1,3  | 9,2     | 1,47 | 10,3  | 1,64 |
|   | 23                                     | 5,2                                    | 0,86 | 6,3     | 1,01 | 7,3     | 1,16 | 7,8   | 1,24 | 8,2     | 1,33 | 9,2     | 1,49 | 10,3  | 1,67 |
|   | 25                                     | 5,2                                    | 0,88 | 6,3     | 1,02 | 7,3     | 1,18 | 7,8   | 1,27 | 8,2     | 1,37 | 9,2     | 1,57 | 10,3  | 1,79 |
|   | 27                                     | 5,2                                    | 0,89 | 6,3     | 1,06 | 7,3     | 1,25 | 7,8   | 1,35 | 8,2     | 1,45 | 9,2     | 1,67 | 10,3  | 1,9  |
|   | 29                                     | 5,2                                    | 0,94 | 6,3     | 1,12 | 7,3     | 1,33 | 7,8   | 1,43 | 8,2     | 1,54 | 9,2     | 1,77 | 10,3  | 2,03 |
|   | 31                                     | 5,2                                    | 0,99 | 6,3     | 1,19 | 7,3     | 1,4  | 7,8   | 1,52 | 8,2     | 1,64 | 9,2     | 1,89 | 10,3  | 2,16 |
|   | 33                                     | 5,2                                    | 1,05 | 6,3     | 1,26 | 7,3     | 1,49 | 7,8   | 1,61 | 8,2     | 1,74 | 9,2     | 2,01 | 10,3  | 2,3  |
| 35                                      | 5,2                                    | 1,11                                   | 6,3  | 1,33    | 7,3  | 1,57    | 7,8  | 1,7   | 8,2  | 1,84    | 9,2  | 2,13    | 10,3 | 2,44  |      |
| 37                                      | 5,2                                    | 1,17                                   | 6,3  | 1,41    | 7,3  | 1,67    | 7,8  | 1,8   | 8,2  | 1,95    | 9,2  | 2,26    | 10,3 | 2,59  |      |
| 39                                      | 5,2                                    | 1,24                                   | 6,3  | 1,48    | 7,3  | 1,76    | 7,8  | 1,91  | 8,2  | 2,07    | 9,2  | 2,4     | 10,3 | 2,75  |      |
| 41                                      | 5,2                                    | 1,29                                   | 6,3  | 1,55    | 7,3  | 1,83    | 7,8  | 2     | 8,2  | 2,16    | 9,2  | 2,52    | 10,3 | 2,88  |      |
| 43                                      | 5,2                                    | 1,37                                   | 6,3  | 1,66    | 7,3  | 1,89    | 7,8  | 2,09  | 8,2  | 2,22    | 9,2  | 2,65    | 10,3 | 3,01  |      |

kWf = Cooling capacity [kW]

kWe = Compressor + Fan power input [kW]

DB=Dry bulb

WB=Wet bulb

Notes:

It is recommended to have system with Indoor/Outdoor Capacity Ratio less than 130%

Avoid running the unit in cooling mode when outdoor air temperature is above 43°C DB

The above capacity tables show the average values in operating conditions

# Performance in Cooling

## MSAN-XMi 180T

| Indoor/<br>Outdoor<br>Capacity<br>Ratio | Outdoor air<br>temperature<br>D.B.(°C) | Indoor air temperature D.B / W.B. (°C) |      |         |      |         |      |       |      |         |      |         |      |       |      |
|---|--|--|------|---------|------|---------|------|-------|------|---------|------|---------|------|-------|------|
|   |  | 20,8/14                                |      | 23,3/16 |      | 25,8/18 |      | 27/19 |      | 28,2/20 |      | 30,7/22 |      | 32/24 |      |
|   |  | kWf                                    | kWe  | kWf     | kWe  | kWf     | kWe  | kWf   | kWe  | kWf     | kWe  | kWf     | kWe  | kWf   | kWe  |
| 130%                                    | -5                                     | 15,4                                   | 2,24 | 18,3    | 2,73 | 21,2    | 2,93 | 22,1  | 3,04 | 23,1    | 3,13 | 23,7    | 3,4  | 24,3  | 3,43 |
|   | -2                                     | 15,4                                   | 2,24 | 18,3    | 2,78 | 21,2    | 2,93 | 22,1  | 3,06 | 23,1    | 3,13 | 23,7    | 3,45 | 24,3  | 3,46 |
|   | 0                                      | 15,4                                   | 2,27 | 18,3    | 2,83 | 21,2    | 3,03 | 22,1  | 3,23 | 23,1    | 3,31 | 23,7    | 3,49 | 24,3  | 3,51 |
|   | 2                                      | 15,4                                   | 2,32 | 18,3    | 2,84 | 21,2    | 3,14 | 22,1  | 3,41 | 23,1    | 3,35 | 23,7    | 3,52 | 24,3  | 3,56 |
|   | 4                                      | 15,4                                   | 2,37 | 18,3    | 2,89 | 21,2    | 3,24 | 22,1  | 3,43 | 23,1    | 3,39 | 23,7    | 3,57 | 24,3  | 3,63 |
|   | 6                                      | 15,4                                   | 2,41 | 18,3    | 2,95 | 21,2    | 3,36 | 22,1  | 3,46 | 22,9    | 3,5  | 23,4    | 3,62 | 24    | 3,65 |
|   | 8                                      | 15,4                                   | 2,47 | 18,3    | 3,02 | 21,2    | 3,53 | 22,1  | 3,62 | 22,6    | 3,61 | 23,1    | 3,64 | 23,7  | 3,69 |
|   | 10                                     | 15,4                                   | 2,52 | 18,3    | 3,08 | 21,2    | 3,66 | 22,1  | 3,75 | 22,3    | 3,68 | 22,9    | 3,69 | 23,4  | 3,8  |
|   | 12                                     | 15,4                                   | 2,57 | 18,3    | 3,14 | 21,2    | 3,74 | 21,7  | 3,8  | 22,1    | 3,74 | 22,6    | 3,75 | 23,1  | 3,82 |
|   | 14                                     | 15,4                                   | 2,62 | 18,3    | 3,2  | 21,2    | 3,79 | 21,5  | 3,86 | 21,7    | 3,79 | 22,3    | 3,8  | 22,9  | 3,91 |
|   | 16                                     | 15,4                                   | 2,66 | 18,3    | 3,27 | 20,9    | 3,85 | 21,2  | 3,91 | 21,4    | 3,9  | 22      | 3,86 | 22,6  | 3,97 |
|   | 18                                     | 15,4                                   | 2,71 | 18,3    | 3,33 | 20,6    | 3,91 | 20,9  | 3,93 | 21,2    | 3,95 | 21,7    | 3,99 | 22,3  | 4,03 |
|   | 20                                     | 15,4                                   | 2,77 | 18,3    | 3,55 | 20,3    | 4,1  | 20,6  | 4,12 | 20,9    | 4,14 | 21,4    | 4,18 | 22    | 4,22 |
|   | 21                                     | 15,4                                   | 2,85 | 18,3    | 3,67 | 20,2    | 4,2  | 20,5  | 4,22 | 20,7    | 4,24 | 21,3    | 4,28 | 21,9  | 4,32 |
|   | 23                                     | 15,4                                   | 3,05 | 18,3    | 3,94 | 19,9    | 4,39 | 20,2  | 4,41 | 20,4    | 4,43 | 21      | 4,47 | 21,6  | 4,52 |
|   | 25                                     | 15,4                                   | 3,26 | 18,3    | 4,22 | 19,6    | 4,58 | 19,9  | 4,6  | 20,2    | 4,63 | 20,7    | 4,67 | 21,3  | 4,72 |
|   | 27                                     | 15,4                                   | 3,48 | 18,3    | 4,51 | 19,4    | 4,77 | 19,6  | 4,8  | 19,9    | 4,82 | 20,4    | 4,87 | 21    | 4,92 |
|   | 29                                     | 15,4                                   | 3,72 | 18,3    | 4,82 | 19,1    | 4,96 | 19,3  | 4,99 | 19,6    | 5,02 | 20,2    | 5,07 | 20,7  | 5,12 |
|   | 31                                     | 15,4                                   | 3,97 | 18,2    | 5,1  | 18,7    | 5,16 | 19,1  | 5,19 | 19,3    | 5,21 | 19,9    | 5,27 | 20,4  | 5,33 |
|   | 33                                     | 15,4                                   | 4,22 | 17,9    | 5,29 | 18,5    | 5,35 | 18,7  | 5,38 | 19,1    | 5,41 | 19,6    | 5,47 | 20,1  | 5,53 |
| 35                                      | 15,4                                   | 4,5                                    | 17,6 | 5,49    | 18,2 | 5,55    | 18,5 | 5,58  | 18,7 | 5,61    | 19,3 | 5,68    | 19,9 | 5,74  |      |
| 37                                      | 15,4                                   | 4,79                                   | 17,4 | 5,68    | 17,9 | 5,75    | 18,2 | 5,78  | 18,5 | 5,82    | 19   | 5,88    | 19,6 | 5,95  |      |
| 39                                      | 15,4                                   | 5,1                                    | 17,1 | 5,74    | 17,6 | 5,94    | 17,9 | 5,98  | 18,2 | 6,02    | 18,7 | 6,08    | 19,3 | 6,16  |      |
| 41                                      | 15,4                                   | 5,37                                   | 16,9 | 5,8     | 17,4 | 6       | 17,8 | 6,03  | 18   | 6,07    | 18,6 | 6,09    | 18,6 | 6,21  |      |
| 43                                      | 15,4                                   | 5,51                                   | 16,8 | 5,83    | 17,3 | 6,01    | 17,7 | 6,06  | 17,8 | 6,08    | 18,2 | 6,11    | 18,4 | 6,23  |      |
| 120%                                    | -5                                     | 14,2                                   | 2,16 | 16,9    | 2,62 | 19,6    | 3,09 | 21    | 3,37 | 22      | 3,52 | 22,5    | 3,63 | 23    | 3,73 |
|   | -2                                     | 14,2                                   | 2,18 | 16,9    | 2,64 | 19,6    | 3,12 | 21    | 3,39 | 22      | 3,56 | 22,5    | 3,66 | 23    | 3,74 |
|   | 0                                      | 14,2                                   | 2,2  | 16,9    | 2,66 | 19,6    | 3,16 | 21    | 3,4  | 22      | 3,59 | 22,5    | 3,68 | 23    | 3,75 |
|   | 2                                      | 14,2                                   | 2,21 | 16,9    | 2,69 | 19,6    | 3,18 | 21    | 3,43 | 22      | 3,6  | 22,5    | 3,71 | 23    | 3,75 |
|   | 4                                      | 14,2                                   | 2,23 | 16,9    | 2,72 | 19,6    | 3,23 | 21    | 3,46 | 22      | 3,65 | 22,5    | 3,72 | 23    | 3,76 |
|   | 6                                      | 14,2                                   | 2,25 | 16,9    | 2,74 | 19,6    | 3,27 | 21    | 3,5  | 22      | 3,69 | 22,5    | 3,75 | 23    | 3,78 |
|   | 8                                      | 14,2                                   | 2,27 | 16,9    | 2,77 | 19,6    | 3,31 | 21    | 3,55 | 22      | 3,73 | 22,5    | 3,76 | 23    | 3,79 |
|   | 10                                     | 14,2                                   | 2,3  | 16,9    | 2,81 | 19,6    | 3,34 | 21    | 3,61 | 22      | 3,73 | 22,5    | 3,77 | 23    | 3,81 |
|   | 12                                     | 14,2                                   | 2,34 | 16,9    | 2,86 | 19,6    | 3,41 | 21    | 3,68 | 21,7    | 3,75 | 22,2    | 3,75 | 22,7  | 3,83 |
|   | 14                                     | 14,2                                   | 2,39 | 16,9    | 2,92 | 19,6    | 3,47 | 21    | 3,75 | 21,4    | 3,77 | 21,9    | 3,81 | 22,4  | 3,88 |
|   | 16                                     | 14,2                                   | 2,43 | 16,9    | 2,98 | 19,6    | 3,54 | 20,9  | 4,1  | 21,1    | 3,83 | 21,6    | 3,87 | 22,1  | 3,94 |
|   | 18                                     | 14,2                                   | 2,48 | 16,9    | 3,04 | 19,6    | 3,66 | 20,6  | 3,91 | 20,8    | 3,92 | 21,3    | 3,96 | 21,9  | 4    |
|   | 20                                     | 14,2                                   | 2,53 | 16,9    | 3,16 | 19,6    | 3,94 | 20,3  | 4,1  | 20,6    | 4,11 | 21,1    | 4,15 | 21,6  | 4,19 |
|   | 21                                     | 14,2                                   | 2,55 | 16,9    | 3,27 | 19,6    | 4,08 | 20,1  | 4,19 | 20,4    | 4,21 | 20,9    | 4,25 | 21,4  | 4,29 |
|   | 23                                     | 14,2                                   | 2,73 | 16,9    | 3,5  | 19,6    | 4,36 | 19,9  | 4,38 | 20,1    | 4,4  | 20,6    | 4,45 | 21,1  | 4,48 |
|   | 25                                     | 14,2                                   | 2,91 | 16,9    | 3,74 | 19,3    | 4,56 | 19,6  | 4,57 | 19,8    | 4,59 | 20,4    | 4,64 | 20,9  | 4,68 |
|   | 27                                     | 14,2                                   | 3,11 | 16,9    | 4    | 19,1    | 4,74 | 19,3  | 4,77 | 19,6    | 4,79 | 20,1    | 4,84 | 20,6  | 4,88 |
|   | 29                                     | 14,2                                   | 3,32 | 16,9    | 4,28 | 18,8    | 4,93 | 19    | 4,96 | 19,3    | 4,98 | 19,8    | 5,03 | 20,3  | 5,08 |
|   | 31                                     | 14,2                                   | 3,54 | 16,9    | 4,56 | 18,4    | 5,13 | 18,8  | 5,15 | 19      | 5,18 | 19,5    | 5,23 | 20    | 5,29 |
|   | 33                                     | 14,2                                   | 3,77 | 16,9    | 4,87 | 18,2    | 5,32 | 18,4  | 5,35 | 18,7    | 5,37 | 19,2    | 5,43 | 19,7  | 5,49 |
| 35                                      | 14,2                                   | 4,01                                   | 16,9 | 5,19    | 17,9 | 5,51    | 18,1 | 5,54  | 18,4 | 5,57    | 18,9 | 5,63    | 19,4 | 5,69  |      |
| 37                                      | 14,2                                   | 4,27                                   | 16,9 | 5,53    | 17,6 | 5,71    | 17,9 | 5,74  | 18,1 | 5,77    | 18,6 | 5,83    | 19,1 | 5,9   |      |
| 39                                      | 14,2                                   | 4,54                                   | 16,8 | 5,84    | 17,3 | 5,91    | 17,6 | 5,94  | 17,8 | 5,97    | 18,4 | 6,04    | 18,9 | 6,1   |      |
| 41                                      | 14,2                                   | 4,67                                   | 16,7 | 5,88    | 17,2 | 5,95    | 17,4 | 5,98  | 17,7 | 6,01    | 18,2 | 6,05    | 18,3 | 6,14  |      |
| 43                                      | 14,2                                   | 4,73                                   | 16,6 | 5,92    | 17   | 5,98    | 17,3 | 6,01  | 17,5 | 6,03    | 17,9 | 6,07    | 18   | 6,27  |      |

kWf = Cooling capacity [kW]  
 kWe = Compressor + Fan power input [kW]  
 DB = Dry bulb  
 WB = Wet bulb

# Performance in Cooling

## MSAN-XMi 180T

| Indoor/<br>Outdoor<br>Capacity<br>Ratio | Outdoor air<br>temperature<br>D.B.(°C) | Indoor air temperature D.B / W.B. (°C) |      |         |      |         |      |       |      |         |      |         |      |       |      |
|---|--|--|------|---------|------|---------|------|-------|------|---------|------|---------|------|-------|------|
|   |  | 20,8/14                                |      | 23,3/16 |      | 25,8/18 |      | 27/19 |      | 28,2/20 |      | 30,7/22 |      | 32/24 |      |
|   |  | kWf                                    | kWe  | kWf     | kWe  | kWf     | kWe  | kWf   | kWe  | kWf     | kWe  | kWf     | kWe  | kWf   | kWe  |
| 110%                                    | -5                                     | 13                                     | 1,89 | 15,5    | 2,35 | 18      | 2,8  | 19,3  | 3,01 | 20,5    | 3,24 | 22,1    | 3,36 | 22,6  | 3,46 |
|   | -2                                     | 13                                     | 1,92 | 15,5    | 2,38 | 18      | 2,83 | 19,3  | 3,04 | 20,5    | 3,26 | 22,1    | 3,39 | 22,6  | 3,48 |
|   | 0                                      | 13                                     | 1,94 | 15,5    | 2,39 | 18      | 2,85 | 19,3  | 3,06 | 20,5    | 3,3  | 22,1    | 3,43 | 22,6  | 3,52 |
|   | 2                                      | 13                                     | 1,98 | 15,5    | 2,41 | 18      | 2,89 | 19,3  | 3,09 | 20,5    | 3,33 | 22,1    | 3,48 | 22,6  | 3,57 |
|   | 4                                      | 13                                     | 2,02 | 15,5    | 2,44 | 18      | 2,92 | 19,3  | 3,13 | 20,5    | 3,38 | 22,1    | 3,52 | 22,6  | 3,6  |
|   | 6                                      | 13                                     | 2,04 | 15,5    | 2,47 | 18      | 2,95 | 19,3  | 3,18 | 20,5    | 3,42 | 22,1    | 3,56 | 22,6  | 3,66 |
|   | 8                                      | 13                                     | 2,06 | 15,5    | 2,51 | 18      | 2,98 | 19,3  | 3,21 | 20,5    | 3,46 | 22,1    | 3,59 | 22,6  | 3,7  |
|   | 10                                     | 13                                     | 2,09 | 15,5    | 2,54 | 18      | 3,02 | 19,3  | 3,27 | 20,5    | 3,52 | 22,1    | 3,61 | 22,6  | 3,73 |
|   | 12                                     | 13                                     | 2,13 | 15,5    | 2,59 | 18      | 3,08 | 19,3  | 3,33 | 20,5    | 3,58 | 21,8    | 3,66 | 22,3  | 3,78 |
|   | 14                                     | 13                                     | 2,17 | 15,5    | 2,64 | 18      | 3,14 | 19,3  | 3,39 | 20,5    | 3,65 | 21,5    | 3,69 | 22    | 3,8  |
|   | 16                                     | 13                                     | 2,2  | 15,5    | 2,69 | 18      | 3,2  | 19,3  | 3,46 | 20,5    | 3,72 | 21,3    | 3,74 | 21,7  | 3,84 |
|   | 18                                     | 13                                     | 2,25 | 15,5    | 2,74 | 18      | 3,27 | 19,3  | 3,55 | 20,5    | 3,9  | 20,9    | 3,93 | 21,4  | 3,97 |
|   | 20                                     | 13                                     | 2,29 | 15,5    | 2,8  | 18      | 3,46 | 19,3  | 3,82 | 20,2    | 4,09 | 20,7    | 4,12 | 21,1  | 4,16 |
|   | 21                                     | 13                                     | 2,31 | 15,5    | 2,88 | 18      | 3,58 | 19,3  | 3,96 | 20,1    | 4,19 | 20,5    | 4,22 | 21    | 4,25 |
|   | 23                                     | 13                                     | 2,43 | 15,5    | 3,09 | 18      | 3,84 | 19,3  | 4,25 | 19,8    | 4,37 | 20,3    | 4,42 | 20,7  | 4,45 |
|   | 25                                     | 13                                     | 2,59 | 15,5    | 3,3  | 18      | 4,11 | 19,3  | 4,55 | 19,5    | 4,56 | 19,9    | 4,61 | 20,4  | 4,64 |
|   | 27                                     | 13                                     | 2,76 | 15,5    | 3,53 | 18      | 4,39 | 18,9  | 4,74 | 19,2    | 4,76 | 19,7    | 4,8  | 20,1  | 4,84 |
|   | 29                                     | 13                                     | 2,94 | 15,5    | 3,77 | 18      | 4,7  | 18,7  | 4,93 | 18,9    | 4,95 | 19,4    | 5    | 19,9  | 5,04 |
|   | 31                                     | 13                                     | 3,13 | 15,5    | 4,02 | 18      | 5,01 | 18,4  | 5,12 | 18,6    | 5,15 | 19,1    | 5,19 | 19,6  | 5,24 |
|   | 33                                     | 13                                     | 3,33 | 15,5    | 4,28 | 17,9    | 5,29 | 18,1  | 5,32 | 18,4    | 5,34 | 18,8    | 5,39 | 19,3  | 5,44 |
| 35                                      | 13                                     | 3,55                                   | 15,5 | 4,56    | 17,6 | 5,48    | 17,8 | 5,51  | 18,1 | 5,54    | 18,5 | 5,59    | 19   | 5,64  |      |
| 37                                      | 13                                     | 3,77                                   | 15,5 | 4,86    | 17,3 | 5,68    | 17,6 | 5,7   | 17,8 | 5,73    | 18,3 | 5,79    | 18,7 | 5,84  |      |
| 39                                      | 13                                     | 4,01                                   | 15,5 | 5,18    | 17   | 5,87    | 17,3 | 5,9   | 17,5 | 5,93    | 17,9 | 5,99    | 18,4 | 6,05  |      |
| 41                                      | 13                                     | 4,05                                   | 15,5 | 5,22    | 16,9 | 5,91    | 17,1 | 5,94  | 17,4 | 5,97    | 17,7 | 6,03    | 17,9 | 6,09  |      |
| 43                                      | 13                                     | 4,09                                   | 15,5 | 5,28    | 16,7 | 5,95    | 17   | 5,98  | 17,2 | 6,01    | 17,6 | 6,05    | 17,6 | 6,21  |      |
| 100%                                    | -5                                     | 11,8                                   | 1,72 | 14,1    | 2,07 | 16,4    | 2,46 | 17,5  | 2,64 | 18,6    | 2,86 | 20,9    | 3,26 | 22,1  | 3,4  |
|   | -2                                     | 11,8                                   | 1,74 | 14,1    | 2,1  | 16,4    | 2,49 | 17,5  | 2,69 | 18,6    | 2,9  | 20,9    | 3,3  | 22,1  | 3,42 |
|   | 0                                      | 11,8                                   | 1,76 | 14,1    | 2,12 | 16,4    | 2,52 | 17,5  | 2,72 | 18,6    | 2,93 | 20,9    | 3,35 | 22,1  | 3,46 |
|   | 2                                      | 11,8                                   | 1,79 | 14,1    | 2,15 | 16,4    | 2,54 | 17,5  | 2,75 | 18,6    | 2,96 | 20,9    | 3,4  | 22,1  | 3,52 |
|   | 4                                      | 11,8                                   | 1,8  | 14,1    | 2,17 | 16,4    | 2,58 | 17,5  | 2,8  | 18,6    | 3    | 20,9    | 3,44 | 22,1  | 3,56 |
|   | 6                                      | 11,8                                   | 1,83 | 14,1    | 2,21 | 16,4    | 2,61 | 17,5  | 2,84 | 18,6    | 3,04 | 20,9    | 3,48 | 22,1  | 3,61 |
|   | 8                                      | 11,8                                   | 1,87 | 14,1    | 2,24 | 16,4    | 2,66 | 17,5  | 2,88 | 18,6    | 3,09 | 20,9    | 3,54 | 22,1  | 3,67 |
|   | 10                                     | 11,8                                   | 1,89 | 14,1    | 2,29 | 16,4    | 2,71 | 17,5  | 2,93 | 18,6    | 3,15 | 20,9    | 3,6  | 22,1  | 3,72 |
|   | 12                                     | 11,8                                   | 1,92 | 14,1    | 2,33 | 16,4    | 2,76 | 17,5  | 2,98 | 18,6    | 3,21 | 20,9    | 3,66 | 21,8  | 3,75 |
|   | 14                                     | 11,8                                   | 1,95 | 14,1    | 2,37 | 16,4    | 2,81 | 17,5  | 3,04 | 18,6    | 3,27 | 20,9    | 3,74 | 21,6  | 3,8  |
|   | 16                                     | 11,8                                   | 1,99 | 14,1    | 2,42 | 16,4    | 2,87 | 17,5  | 3,1  | 18,6    | 3,33 | 20,8    | 3,78 | 21,3  | 3,84 |
|   | 18                                     | 11,8                                   | 2,03 | 14,1    | 2,46 | 16,4    | 2,92 | 17,5  | 3,16 | 18,6    | 3,4  | 20,6    | 3,91 | 21    | 3,94 |
|   | 20                                     | 11,8                                   | 2,06 | 14,1    | 2,51 | 16,4    | 3,01 | 17,5  | 3,32 | 18,6    | 3,64 | 20,2    | 4,09 | 20,7  | 4,13 |
|   | 21                                     | 11,8                                   | 2,09 | 14,1    | 2,54 | 16,4    | 3,12 | 17,5  | 3,44 | 18,6    | 3,77 | 20,1    | 4,19 | 20,6  | 4,22 |
|   | 23                                     | 11,8                                   | 2,14 | 14,1    | 2,71 | 16,4    | 3,34 | 17,5  | 3,68 | 18,6    | 4,04 | 19,9    | 4,38 | 20,2  | 4,42 |
|   | 25                                     | 11,8                                   | 2,28 | 14,1    | 2,89 | 16,4    | 3,58 | 17,5  | 3,94 | 18,6    | 4,33 | 19,6    | 4,57 | 20    | 4,61 |
|   | 27                                     | 11,8                                   | 2,43 | 14,1    | 3,08 | 16,4    | 3,82 | 17,5  | 4,22 | 18,6    | 4,63 | 19,3    | 4,76 | 19,7  | 4,81 |
|   | 29                                     | 11,8                                   | 2,59 | 14,1    | 3,29 | 16,4    | 4,08 | 17,5  | 4,5  | 18,6    | 4,92 | 19      | 4,96 | 19,4  | 5    |
|   | 31                                     | 11,8                                   | 2,76 | 14,1    | 3,51 | 16,4    | 4,35 | 17,5  | 4,81 | 18,3    | 5,11 | 18,7    | 5,15 | 19,1  | 5,2  |
|   | 33                                     | 11,8                                   | 2,93 | 14,1    | 3,74 | 16,4    | 4,64 | 17,5  | 5,13 | 18      | 5,3  | 18,4    | 5,34 | 18,9  | 5,4  |
| 35                                      | 11,8                                   | 3,11                                   | 14,1 | 3,97    | 16,4 | 4,95    | 17,5 | 5,47  | 17,7 | 5,49    | 18,1 | 5,54    | 18,6 | 5,59  |      |
| 37                                      | 11,8                                   | 3,31                                   | 14,1 | 4,23    | 16,4 | 5,27    | 17,2 | 5,66  | 17,4 | 5,69    | 17,9 | 5,74    | 18,3 | 5,79  |      |
| 39                                      | 11,8                                   | 3,52                                   | 14,1 | 4,5     | 16,4 | 5,61    | 16,9 | 5,85  | 17,1 | 5,88    | 17,6 | 5,93    | 18   | 5,99  |      |
| 41                                      | 11,8                                   | 3,68                                   | 14,1 | 4,66    | 16,4 | 5,82    | 16,7 | 5,89  | 17   | 5,97    | 17,3 | 6,07    | 17,7 | 6,12  |      |
| 43                                      | 11,8                                   | 3,84                                   | 14,1 | 4,83    | 16,4 | 5,92    | 16,4 | 5,96  | 16,9 | 6,03    | 17,4 | 6,11    | 17,4 | 6,18  |      |

kWf = Cooling capacity [kW]  
 kWe = Compressor + Fan power input [kW]  
 DB=Dry bulb  
 WB=Wet bulb

# Performance in Cooling

## MSAN-XMi 180T

| Indoor/<br>Outdoor<br>Capacity<br>Ratio | Outdoor air<br>temperature<br>D.B.(°C) | Indoor air temperature D.B / W.B. (°C) |      |         |      |         |      |       |      |         |      |         |      |       |      |
|---|--|--|------|---------|------|---------|------|-------|------|---------|------|---------|------|-------|------|
|   |  | 20,8/14                                |      | 23,3/16 |      | 25,8/18 |      | 27/19 |      | 28,2/20 |      | 30,7/22 |      | 32/24 |      |
|   |  | kWf                                    | kWe  | kWf     | kWe  | kWf     | kWe  | kWf   | kWe  | kWf     | kWe  | kWf     | kWe  | kWf   | kWe  |
| 90%                                     | -5                                     | 10,6                                   | 1,52 | 12,7    | 1,82 | 14,7    | 2,15 | 15,8  | 2,35 | 16,8    | 2,5  | 18,8    | 2,87 | 20,9  | 3,29 |
|   | -2                                     | 10,6                                   | 1,53 | 12,7    | 1,84 | 14,7    | 2,18 | 15,8  | 2,38 | 16,8    | 2,53 | 18,8    | 2,9  | 20,9  | 3,32 |
|   | 0                                      | 10,6                                   | 1,56 | 12,7    | 1,86 | 14,7    | 2,21 | 15,8  | 2,41 | 16,8    | 2,56 | 18,8    | 2,93 | 20,9  | 3,34 |
|   | 2                                      | 10,6                                   | 1,58 | 12,7    | 1,89 | 14,7    | 2,23 | 15,8  | 2,44 | 16,8    | 2,6  | 18,8    | 2,99 | 20,9  | 3,39 |
|   | 4                                      | 10,6                                   | 1,6  | 12,7    | 1,92 | 14,7    | 2,27 | 15,8  | 2,48 | 16,8    | 2,63 | 18,8    | 3,04 | 20,9  | 3,44 |
|   | 6                                      | 10,6                                   | 1,63 | 12,7    | 1,95 | 14,7    | 2,31 | 15,8  | 2,52 | 16,8    | 2,68 | 18,8    | 3,09 | 20,9  | 3,5  |
|   | 8                                      | 10,6                                   | 1,66 | 12,7    | 1,99 | 14,7    | 2,36 | 15,8  | 2,56 | 16,8    | 2,72 | 18,8    | 3,14 | 20,9  | 3,53 |
|   | 10                                     | 10,6                                   | 1,69 | 12,7    | 2,03 | 14,7    | 2,4  | 15,8  | 2,59 | 16,8    | 2,79 | 18,8    | 3,18 | 20,9  | 3,59 |
|   | 12                                     | 10,6                                   | 1,72 | 12,7    | 2,07 | 14,7    | 2,45 | 15,8  | 2,64 | 16,8    | 2,84 | 18,8    | 3,24 | 20,9  | 3,66 |
|   | 14                                     | 10,6                                   | 1,75 | 12,7    | 2,11 | 14,7    | 2,49 | 15,8  | 2,69 | 16,8    | 2,89 | 18,8    | 3,3  | 20,9  | 3,72 |
|   | 16                                     | 10,6                                   | 1,78 | 12,7    | 2,15 | 14,7    | 2,54 | 15,8  | 2,74 | 16,8    | 2,95 | 18,8    | 3,37 | 20,8  | 3,79 |
|   | 18                                     | 10,6                                   | 1,81 | 12,7    | 2,19 | 14,7    | 2,59 | 15,8  | 2,79 | 16,8    | 3,01 | 18,8    | 3,44 | 20,6  | 3,91 |
|   | 20                                     | 10,6                                   | 1,84 | 12,7    | 2,24 | 14,7    | 2,64 | 15,8  | 2,85 | 16,8    | 3,12 | 18,8    | 3,69 | 20,2  | 4,09 |
|   | 21                                     | 10,6                                   | 1,86 | 12,7    | 2,26 | 14,7    | 2,68 | 15,8  | 2,95 | 16,8    | 3,23 | 18,8    | 3,83 | 20,1  | 4,19 |
|   | 23                                     | 10,6                                   | 1,89 | 12,7    | 2,34 | 14,7    | 2,87 | 15,8  | 3,16 | 16,8    | 3,46 | 18,8    | 4,11 | 19,8  | 4,38 |
|   | 25                                     | 10,6                                   | 2    | 12,7    | 2,51 | 14,7    | 3,07 | 15,8  | 3,38 | 16,8    | 3,7  | 18,8    | 4,39 | 19,6  | 4,57 |
|   | 27                                     | 10,6                                   | 2,12 | 12,7    | 2,67 | 14,7    | 3,28 | 15,8  | 3,61 | 16,8    | 3,96 | 18,8    | 4,7  | 19,2  | 4,76 |
|   | 29                                     | 10,6                                   | 2,26 | 12,7    | 2,85 | 14,7    | 3,5  | 15,8  | 3,86 | 16,8    | 4,23 | 18,6    | 4,92 | 19    | 4,95 |
|   | 31                                     | 10,6                                   | 2,4  | 12,7    | 3,03 | 14,7    | 3,73 | 15,8  | 4,11 | 16,8    | 4,51 | 18,3    | 5,11 | 18,7  | 5,15 |
|   | 33                                     | 10,6                                   | 2,55 | 12,7    | 3,22 | 14,7    | 3,98 | 15,8  | 4,39 | 16,8    | 4,81 | 18,1    | 5,31 | 18,4  | 5,34 |
| 35                                      | 10,6                                   | 2,71                                   | 12,7 | 3,43    | 14,7 | 4,24    | 15,8 | 4,67  | 16,8 | 5,13    | 17,8 | 5,5     | 18,1 | 5,54  |      |
| 37                                      | 10,6                                   | 2,87                                   | 12,7 | 3,64    | 14,7 | 4,51    | 15,8 | 4,98  | 16,8 | 5,47    | 17,4 | 5,69    | 17,9 | 5,73  |      |
| 39                                      | 10,6                                   | 3,05                                   | 12,7 | 3,88    | 14,7 | 4,8     | 15,8 | 5,3   | 16,8 | 5,82    | 17,2 | 5,89    | 17,6 | 5,93  |      |
| 41                                      | 10,6                                   | 3,16                                   | 12,7 | 4,05    | 14,7 | 4,97    | 15,8 | 5,44  | 16,8 | 5,86    | 17,1 | 6,04    | 17,4 | 6,07  |      |
| 43                                      | 10,6                                   | 3,31                                   | 12,7 | 4,23    | 14,7 | 5,15    | 15,8 | 5,58  | 16,8 | 5,98    | 17   | 6,12    | 17,3 | 6,17  |      |
| 80%                                     | -5                                     | 9,4                                    | 1,34 | 11,3    | 1,58 | 13,1    | 1,87 | 14    | 1,99 | 14,9    | 2,15 | 16,7    | 2,48 | 18,6  | 2,83 |
|   | -2                                     | 9,4                                    | 1,36 | 11,3    | 1,6  | 13,1    | 1,89 | 14    | 2,02 | 14,9    | 2,17 | 16,7    | 2,5  | 18,6  | 2,86 |
|   | 0                                      | 9,4                                    | 1,38 | 11,3    | 1,62 | 13,1    | 1,91 | 14    | 2,05 | 14,9    | 2,2  | 16,7    | 2,54 | 18,6  | 2,9  |
|   | 2                                      | 9,4                                    | 1,41 | 11,3    | 1,65 | 13,1    | 1,94 | 14    | 2,09 | 14,9    | 2,24 | 16,7    | 2,59 | 18,6  | 2,95 |
|   | 4                                      | 9,4                                    | 1,43 | 11,3    | 1,67 | 13,1    | 1,98 | 14    | 2,13 | 14,9    | 2,28 | 16,7    | 2,64 | 18,6  | 2,99 |
|   | 6                                      | 9,4                                    | 1,46 | 11,3    | 1,71 | 13,1    | 2,01 | 14    | 2,18 | 14,9    | 2,33 | 16,7    | 2,68 | 18,6  | 3,04 |
|   | 8                                      | 9,4                                    | 1,48 | 11,3    | 1,75 | 13,1    | 2,05 | 14    | 2,22 | 14,9    | 2,38 | 16,7    | 2,72 | 18,6  | 3,1  |
|   | 10                                     | 9,4                                    | 1,5  | 11,3    | 1,79 | 13,1    | 2,11 | 14    | 2,27 | 14,9    | 2,43 | 16,7    | 2,78 | 18,6  | 3,13 |
|   | 12                                     | 9,4                                    | 1,52 | 11,3    | 1,82 | 13,1    | 2,15 | 14    | 2,31 | 14,9    | 2,48 | 16,7    | 2,83 | 18,6  | 3,19 |
|   | 14                                     | 9,4                                    | 1,55 | 11,3    | 1,86 | 13,1    | 2,18 | 14    | 2,35 | 14,9    | 2,53 | 16,7    | 2,88 | 18,6  | 3,25 |
|   | 16                                     | 9,4                                    | 1,57 | 11,3    | 1,89 | 13,1    | 2,23 | 14    | 2,4  | 14,9    | 2,57 | 16,7    | 2,94 | 18,6  | 3,31 |
|   | 18                                     | 9,4                                    | 1,6  | 11,3    | 1,92 | 13,1    | 2,27 | 14    | 2,45 | 14,9    | 2,62 | 16,7    | 3    | 18,6  | 3,38 |
|   | 20                                     | 9,4                                    | 1,63 | 11,3    | 1,96 | 13,1    | 2,31 | 14    | 2,49 | 14,9    | 2,68 | 16,7    | 3,11 | 18,6  | 3,61 |
|   | 21                                     | 9,4                                    | 1,64 | 11,3    | 1,98 | 13,1    | 2,34 | 14    | 2,52 | 14,9    | 2,74 | 16,7    | 3,22 | 18,6  | 3,75 |
|   | 23                                     | 9,4                                    | 1,67 | 11,3    | 2,02 | 13,1    | 2,45 | 14    | 2,68 | 14,9    | 2,93 | 16,7    | 3,45 | 18,6  | 4,02 |
|   | 25                                     | 9,4                                    | 1,73 | 11,3    | 2,15 | 13,1    | 2,62 | 14    | 2,87 | 14,9    | 3,13 | 16,7    | 3,69 | 18,6  | 4,3  |
|   | 27                                     | 9,4                                    | 1,84 | 11,3    | 2,29 | 13,1    | 2,79 | 14    | 3,06 | 14,9    | 3,34 | 16,7    | 3,94 | 18,6  | 4,6  |
|   | 29                                     | 9,4                                    | 1,95 | 11,3    | 2,43 | 13,1    | 2,97 | 14    | 3,26 | 14,9    | 3,57 | 16,7    | 4,21 | 18,6  | 4,92 |
|   | 31                                     | 9,4                                    | 2,07 | 11,3    | 2,59 | 13,1    | 3,16 | 14    | 3,47 | 14,9    | 3,8  | 16,7    | 4,5  | 18,3  | 5,11 |
|   | 33                                     | 9,4                                    | 2,2  | 11,3    | 2,75 | 13,1    | 3,37 | 14    | 3,7  | 14,9    | 4,05 | 16,7    | 4,79 | 18    | 5,3  |
| 35                                      | 9,4                                    | 2,34                                   | 11,3 | 2,93    | 13,1 | 3,58    | 14   | 3,94  | 14,9 | 4,31    | 16,7 | 5,11    | 17,7 | 5,49  |      |
| 37                                      | 9,4                                    | 2,48                                   | 11,3 | 3,1     | 13,1 | 3,81    | 14   | 4,19  | 14,9 | 4,59    | 16,7 | 5,45    | 17,4 | 5,68  |      |
| 39                                      | 9,4                                    | 2,62                                   | 11,3 | 3,31    | 13,1 | 4,05    | 14   | 4,46  | 14,9 | 4,89    | 16,7 | 5,8     | 17,1 | 5,88  |      |
| 41                                      | 9,4                                    | 2,68                                   | 11,3 | 3,34    | 13,1 | 4,11    | 14   | 4,58  | 14,9 | 4,98    | 16,7 | 5,95    | 17   | 5,99  |      |
| 43                                      | 9,4                                    | 2,76                                   | 11,3 | 3,37    | 13,1 | 4,17    | 14   | 4,66  | 14,9 | 5,05    | 16,7 | 6,02    | 16,9 | 6,05  |      |

kWf = Cooling capacity [kW]  
 kWe = Compressor + Fan power input [kW]  
 DB=Dry bulb  
 WB=Wet bulb

# Performance in Cooling

## MSAN-XMi 180T

| Indoor/<br>Outdoor<br>Capacity<br>Ratio | Outdoor air<br>temperature<br>D.B.(°C) | Indoor air temperature D.B / W.B. (°C) |      |         |      |         |      |       |      |         |      |         |      |       |      |
|---|--|--|------|---------|------|---------|------|-------|------|---------|------|---------|------|-------|------|
|   |  | 20,8/14                                |      | 23,3/16 |      | 25,8/18 |      | 27/19 |      | 28,2/20 |      | 30,7/22 |      | 32/24 |      |
|   |  | kWf                                    | kWe  | kWf     | kWe  | kWf     | kWe  | kWf   | kWe  | kWf     | kWe  | kWf     | kWe  | kWf   | kWe  |
| 70%                                     | -5                                     | 8,3                                    | 1,19 | 9,9     | 1,4  | 11,4    | 1,59 | 12,3  | 1,7  | 13,1    | 1,82 | 14,6    | 2,08 | 16,2  | 2,39 |
|   | -2                                     | 8,3                                    | 1,2  | 9,9     | 1,41 | 11,4    | 1,6  | 12,3  | 1,73 | 13,1    | 1,85 | 14,6    | 2,11 | 16,2  | 2,42 |
|   | 0                                      | 8,3                                    | 1,21 | 9,9     | 1,43 | 11,4    | 1,63 | 12,3  | 1,77 | 13,1    | 1,88 | 14,6    | 2,15 | 16,2  | 2,45 |
|   | 2                                      | 8,3                                    | 1,22 | 9,9     | 1,43 | 11,4    | 1,66 | 12,3  | 1,8  | 13,1    | 1,91 | 14,6    | 2,2  | 16,2  | 2,49 |
|   | 4                                      | 8,3                                    | 1,23 | 9,9     | 1,47 | 11,4    | 1,69 | 12,3  | 1,83 | 13,1    | 1,96 | 14,6    | 2,24 | 16,2  | 2,55 |
|   | 6                                      | 8,3                                    | 1,25 | 9,9     | 1,5  | 11,4    | 1,73 | 12,3  | 1,89 | 13,1    | 2    | 14,6    | 2,27 | 16,2  | 2,6  |
|   | 8                                      | 8,3                                    | 1,28 | 9,9     | 1,54 | 11,4    | 1,77 | 12,3  | 1,92 | 13,1    | 2,05 | 14,6    | 2,34 | 16,2  | 2,65 |
|   | 10                                     | 8,3                                    | 1,3  | 9,9     | 1,56 | 11,4    | 1,82 | 12,3  | 1,96 | 13,1    | 2,1  | 14,6    | 2,39 | 16,2  | 2,68 |
|   | 12                                     | 8,3                                    | 1,33 | 9,9     | 1,58 | 11,4    | 1,86 | 12,3  | 2    | 13,1    | 2,14 | 14,6    | 2,43 | 16,2  | 2,74 |
|   | 14                                     | 8,3                                    | 1,36 | 9,9     | 1,61 | 11,4    | 1,89 | 12,3  | 2,03 | 13,1    | 2,17 | 14,6    | 2,48 | 16,2  | 2,79 |
|   | 16                                     | 8,3                                    | 1,38 | 9,9     | 1,64 | 11,4    | 1,92 | 12,3  | 2,07 | 13,1    | 2,22 | 14,6    | 2,52 | 16,2  | 2,84 |
|   | 18                                     | 8,3                                    | 1,4  | 9,9     | 1,67 | 11,4    | 1,96 | 12,3  | 2,11 | 13,1    | 2,26 | 14,6    | 2,57 | 16,2  | 2,9  |
|   | 20                                     | 8,3                                    | 1,42 | 9,9     | 1,7  | 11,4    | 2    | 12,3  | 2,15 | 13,1    | 2,3  | 14,6    | 2,62 | 16,2  | 2,98 |
|   | 21                                     | 8,3                                    | 1,44 | 9,9     | 1,72 | 11,4    | 2,01 | 12,3  | 2,17 | 13,1    | 2,32 | 14,6    | 2,66 | 16,2  | 3,08 |
|   | 23                                     | 8,3                                    | 1,46 | 9,9     | 1,75 | 11,4    | 2,06 | 12,3  | 2,24 | 13,1    | 2,44 | 14,6    | 2,85 | 16,2  | 3,3  |
|   | 25                                     | 8,3                                    | 1,49 | 9,9     | 1,82 | 11,4    | 2,19 | 12,3  | 2,4  | 13,1    | 2,6  | 14,6    | 3,05 | 16,2  | 3,53 |
|   | 27                                     | 8,3                                    | 1,58 | 9,9     | 1,94 | 11,4    | 2,34 | 12,3  | 2,55 | 13,1    | 2,78 | 14,6    | 3,26 | 16,2  | 3,77 |
|   | 29                                     | 8,3                                    | 1,67 | 9,9     | 2,06 | 11,4    | 2,48 | 12,3  | 2,72 | 13,1    | 2,96 | 14,6    | 3,47 | 16,2  | 4,03 |
|   | 31                                     | 8,3                                    | 1,77 | 9,9     | 2,18 | 11,4    | 2,65 | 12,3  | 2,89 | 13,1    | 3,15 | 14,6    | 3,7  | 16,2  | 4,3  |
|   | 33                                     | 8,3                                    | 1,88 | 9,9     | 2,32 | 11,4    | 2,82 | 12,3  | 3,07 | 13,1    | 3,35 | 14,6    | 3,94 | 16,2  | 4,59 |
| 35                                      | 8,3                                    | 1,99                                   | 9,9  | 2,46    | 11,4 | 2,99    | 12,3 | 3,27  | 13,1 | 3,57    | 14,6 | 4,2     | 16,2 | 4,89  |      |
| 37                                      | 8,3                                    | 2,1                                    | 9,9  | 2,61    | 11,4 | 3,18    | 12,3 | 3,47  | 13,1 | 3,8     | 14,6 | 4,47    | 16,2 | 5,2   |      |
| 39                                      | 8,3                                    | 2,23                                   | 9,9  | 2,76    | 11,4 | 3,37    | 12,3 | 3,69  | 13,1 | 4,03    | 14,6 | 4,76    | 16,2 | 5,54  |      |
| 41                                      | 8,3                                    | 2,32                                   | 9,9  | 2,86    | 11,4 | 3,47    | 12,3 | 3,82  | 13,1 | 4,16    | 14,6 | 4,95    | 16,2 | 5,79  |      |
| 43                                      | 8,3                                    | 2,51                                   | 9,9  | 3,06    | 11,4 | 3,61    | 12,3 | 4,02  | 13,1 | 4,28    | 14,6 | 5,13    | 16,2 | 5,97  |      |
| 60%                                     | -5                                     | 7,1                                    | 1,02 | 8,4     | 1,18 | 9,8     | 1,38 | 10,5  | 1,47 | 11,2    | 1,58 | 12,6    | 1,78 | 13,9  | 2,04 |
|   | -2                                     | 7,1                                    | 1,02 | 8,4     | 1,2  | 9,8     | 1,4  | 10,5  | 1,49 | 11,2    | 1,6  | 12,6    | 1,81 | 13,9  | 2,05 |
|   | 0                                      | 7,1                                    | 1,04 | 8,4     | 1,22 | 9,8     | 1,42 | 10,5  | 1,51 | 11,2    | 1,63 | 12,6    | 1,83 | 13,9  | 2,08 |
|   | 2                                      | 7,1                                    | 1,06 | 8,4     | 1,24 | 9,8     | 1,45 | 10,5  | 1,54 | 11,2    | 1,65 | 12,6    | 1,87 | 13,9  | 2,11 |
|   | 4                                      | 7,1                                    | 1,09 | 8,4     | 1,27 | 9,8     | 1,48 | 10,5  | 1,56 | 11,2    | 1,67 | 12,6    | 1,9  | 13,9  | 2,14 |
|   | 6                                      | 7,1                                    | 1,1  | 8,4     | 1,29 | 9,8     | 1,5  | 10,5  | 1,59 | 11,2    | 1,71 | 12,6    | 1,94 | 13,9  | 2,19 |
|   | 8                                      | 7,1                                    | 1,12 | 8,4     | 1,31 | 9,8     | 1,53 | 10,5  | 1,62 | 11,2    | 1,74 | 12,6    | 1,97 | 13,9  | 2,22 |
|   | 10                                     | 7,1                                    | 1,14 | 8,4     | 1,34 | 9,8     | 1,56 | 10,5  | 1,67 | 11,2    | 1,78 | 12,6    | 2,01 | 13,9  | 2,26 |
|   | 12                                     | 7,1                                    | 1,16 | 8,4     | 1,36 | 9,8     | 1,58 | 10,5  | 1,7  | 11,2    | 1,81 | 12,6    | 2,05 | 13,9  | 2,29 |
|   | 14                                     | 7,1                                    | 1,18 | 8,4     | 1,39 | 9,8     | 1,61 | 10,5  | 1,72 | 11,2    | 1,84 | 12,6    | 2,09 | 13,9  | 2,34 |
|   | 16                                     | 7,1                                    | 1,19 | 8,4     | 1,41 | 9,8     | 1,64 | 10,5  | 1,75 | 11,2    | 1,87 | 12,6    | 2,12 | 13,9  | 2,38 |
|   | 18                                     | 7,1                                    | 1,22 | 8,4     | 1,43 | 9,8     | 1,67 | 10,5  | 1,78 | 11,2    | 1,91 | 12,6    | 2,16 | 13,9  | 2,42 |
|   | 20                                     | 7,1                                    | 1,23 | 8,4     | 1,46 | 9,8     | 1,7  | 10,5  | 1,82 | 11,2    | 1,95 | 12,6    | 2,2  | 13,9  | 2,48 |
|   | 21                                     | 7,1                                    | 1,25 | 8,4     | 1,47 | 9,8     | 1,71 | 10,5  | 1,84 | 11,2    | 1,96 | 12,6    | 2,23 | 13,9  | 2,5  |
|   | 23                                     | 7,1                                    | 1,26 | 8,4     | 1,5  | 9,8     | 1,74 | 10,5  | 1,87 | 11,2    | 2    | 12,6    | 2,31 | 13,9  | 2,66 |
|   | 25                                     | 7,1                                    | 1,28 | 8,4     | 1,52 | 9,8     | 1,81 | 10,5  | 1,96 | 11,2    | 2,12 | 12,6    | 2,47 | 13,9  | 2,84 |
|   | 27                                     | 7,1                                    | 1,33 | 8,4     | 1,61 | 9,8     | 1,92 | 10,5  | 2,09 | 11,2    | 2,26 | 12,6    | 2,63 | 13,9  | 3,03 |
|   | 29                                     | 7,1                                    | 1,41 | 8,4     | 1,71 | 9,8     | 2,05 | 10,5  | 2,23 | 11,2    | 2,41 | 12,6    | 2,81 | 13,9  | 3,24 |
|   | 31                                     | 7,1                                    | 1,5  | 8,4     | 1,81 | 9,8     | 2,17 | 10,5  | 2,37 | 11,2    | 2,57 | 12,6    | 2,99 | 13,9  | 3,44 |
|   | 33                                     | 7,1                                    | 1,58 | 8,4     | 1,92 | 9,8     | 2,31 | 10,5  | 2,51 | 11,2    | 2,73 | 12,6    | 3,18 | 13,9  | 3,67 |
| 35                                      | 7,1                                    | 1,67                                   | 8,4  | 2,04    | 9,8  | 2,45    | 10,5 | 2,67  | 11,2 | 2,9     | 12,6 | 3,38    | 13,9 | 3,91  |      |
| 37                                      | 7,1                                    | 1,77                                   | 8,4  | 2,16    | 9,8  | 2,59    | 10,5 | 2,83  | 11,2 | 3,07    | 12,6 | 3,6     | 13,9 | 4,16  |      |
| 39                                      | 7,1                                    | 1,86                                   | 8,4  | 2,29    | 9,8  | 2,75    | 10,5 | 3     | 11,2 | 3,27    | 12,6 | 3,82    | 13,9 | 4,42  |      |
| 41                                      | 7,1                                    | 1,92                                   | 8,4  | 2,38    | 9,8  | 2,85    | 10,5 | 3,12  | 11,2 | 3,39    | 12,6 | 4       | 13,9 | 4,62  |      |
| 43                                      | 7,1                                    | 1,98                                   | 8,4  | 2,48    | 9,8  | 2,95    | 10,5 | 3,21  | 11,2 | 3,5     | 12,6 | 4,17    | 13,9 | 4,82  |      |

kWf = Cooling capacity [kW]  
 kWe = Compressor + Fan power input [kW]  
 DB=Dry bulb  
 WB=Wet bulb



# Performance in Cooling

## MSAN-XMi 180T

| Indoor/<br>Outdoor<br>Capacity<br>Ratio | Outdoor air<br>temperature<br>D.B.(°C) | Indoor air temperature D.B / W.B. (°C) |      |         |      |         |      |       |      |         |       |         |       |       |      |
|---|--|--|------|---------|------|---------|------|-------|------|---------|-------|---------|-------|-------|------|
|   |  | 20,8/14                                |      | 23,3/16 |      | 25,8/18 |      | 27/19 |      | 28,2/20 |       | 30,7/22 |       | 32/24 |      |
|   |  | kWf                                    | kWe  | kWf     | kWe  | kWf     | kWe  | kWf   | kWe  | kWf     | kWe   | kWf     | kWe   | kWf   | kWe  |
| 50%                                     | -5                                     | 5,91                                   | 0,86 | 7,06    | 0,99 | 8,19    | 1,14 | 8,75  | 1,19 | 9,31    | 1,26  | 10,44   | 1,43  | 11,63 | 1,54 |
|   | -2                                     | 5,91                                   | 0,86 | 7,06    | 1,01 | 8,19    | 1,15 | 8,75  | 1,21 | 9,31    | 1,28  | 10,44   | 1,45  | 11,63 | 1,56 |
|   | 0                                      | 5,91                                   | 0,88 | 7,06    | 1,03 | 8,19    | 1,17 | 8,75  | 1,23 | 9,31    | 1,3   | 10,44   | 1,47  | 11,63 | 1,59 |
|   | 2                                      | 5,91                                   | 0,89 | 7,06    | 1,04 | 8,19    | 1,19 | 8,75  | 1,24 | 9,31    | 1,32  | 10,44   | 1,48  | 11,63 | 1,62 |
|   | 4                                      | 5,91                                   | 0,9  | 7,06    | 1,06 | 8,19    | 1,21 | 8,75  | 1,26 | 9,31    | 1,35  | 10,44   | 1,52  | 11,63 | 1,66 |
|   | 6                                      | 5,91                                   | 0,92 | 7,06    | 1,08 | 8,19    | 1,22 | 8,75  | 1,29 | 9,31    | 1,37  | 10,44   | 1,54  | 11,63 | 1,71 |
|   | 8                                      | 5,91                                   | 0,94 | 7,06    | 1,09 | 8,19    | 1,24 | 8,75  | 1,32 | 9,31    | 1,39  | 10,44   | 1,57  | 11,63 | 1,77 |
|   | 10                                     | 5,91                                   | 0,96 | 7,06    | 1,11 | 8,19    | 1,26 | 8,75  | 1,34 | 9,31    | 1,43  | 10,44   | 1,61  | 11,63 | 1,79 |
|   | 12                                     | 5,91                                   | 0,96 | 7,06    | 1,12 | 8,19    | 1,29 | 8,75  | 1,36 | 9,31    | 1,46  | 10,44   | 1,64  | 11,63 | 1,82 |
|   | 14                                     | 5,91                                   | 0,98 | 7,06    | 1,14 | 8,19    | 1,3  | 8,75  | 1,39 | 9,31    | 1,48  | 10,44   | 1,66  | 11,63 | 1,86 |
|   | 16                                     | 5,91                                   | 0,99 | 7,06    | 1,15 | 8,19    | 1,32 | 8,75  | 1,41 | 9,31    | 1,5   | 10,44   | 1,69  | 11,63 | 1,89 |
|   | 18                                     | 5,91                                   | 1,01 | 7,06    | 1,17 | 8,19    | 1,34 | 8,75  | 1,44 | 9,31    | 1,53  | 10,44   | 1,72  | 11,63 | 1,92 |
|   | 20                                     | 5,91                                   | 1,02 | 7,06    | 1,19 | 8,19    | 1,36 | 8,75  | 1,46 | 9,31    | 1,56  | 10,44   | 1,75  | 11,63 | 1,96 |
|   | 21                                     | 5,91                                   | 1,03 | 7,06    | 1,2  | 8,19    | 1,38 | 8,75  | 1,47 | 9,31    | 1,57  | 10,44   | 1,77  | 11,63 | 1,98 |
|   | 23                                     | 5,91                                   | 1,04 | 7,06    | 1,21 | 8,19    | 1,4  | 8,75  | 1,5  | 9,31    | 1,6   | 10,44   | 1,8   | 11,63 | 2,02 |
|   | 25                                     | 5,91                                   | 1,06 | 7,06    | 1,24 | 8,19    | 1,43 | 8,75  | 1,53 | 9,31    | 1,65  | 10,44   | 1,89  | 11,63 | 2,16 |
|   | 27                                     | 5,91                                   | 1,08 | 7,06    | 1,29 | 8,19    | 1,51 | 8,75  | 1,63 | 9,31    | 1,75  | 10,44   | 2,01  | 11,63 | 2,3  |
|   | 29                                     | 5,91                                   | 1,14 | 7,06    | 1,36 | 8,19    | 1,6  | 8,75  | 1,73 | 9,31    | 1,86  | 10,44   | 2,14  | 11,63 | 2,45 |
|   | 31                                     | 5,91                                   | 1,2  | 7,06    | 1,44 | 8,19    | 1,69 | 8,75  | 1,84 | 9,31    | 1,98  | 10,44   | 2,28  | 11,63 | 2,61 |
|   | 33                                     | 5,91                                   | 1,27 | 7,06    | 1,52 | 8,19    | 1,8  | 8,75  | 1,94 | 9,31    | 2,1   | 10,44   | 2,42  | 11,63 | 2,77 |
| 35                                      | 5,91                                   | 1,34                                   | 7,06 | 1,61    | 8,19 | 1,9     | 8,75 | 2,06  | 9,31 | 2,22    | 10,44 | 2,57    | 11,63 | 2,94  |      |
| 37                                      | 5,91                                   | 1,41                                   | 7,06 | 1,7     | 8,19 | 2,01    | 8,75 | 2,18  | 9,31 | 2,36    | 10,44 | 2,73    | 11,63 | 3,13  |      |
| 39                                      | 5,91                                   | 1,49                                   | 7,06 | 1,79    | 8,19 | 2,13    | 8,75 | 2,31  | 9,31 | 2,5     | 10,44 | 2,89    | 11,63 | 3,32  |      |
| 41                                      | 5,91                                   | 1,55                                   | 7,06 | 1,87    | 8,19 | 2,21    | 8,75 | 2,41  | 9,31 | 2,61    | 10,44 | 3,05    | 11,63 | 3,48  |      |
| 43                                      | 5,91                                   | 1,66                                   | 7,06 | 2       | 8,19 | 2,28    | 8,75 | 2,52  | 9,31 | 2,67    | 10,44 | 3,2     | 11,63 | 3,63  |      |

kWf = Cooling capacity [kW]

kWe = Compressor + Fan power input [kW]

DB=Dry bulb

WB=Wet bulb

Notes:

It is recommended to have system with Indoor/Outdoor Capacity Ratio less than 130%

Avoid running the unit in cooling mode when outdoor air temperature is above 43°C DB

The above capacity tables show the average values in operating conditions

# Performance in Cooling

## MSAN-XMi 200T

| Indoor/<br>Outdoor<br>Capacity<br>Ratio | Outdoor air<br>temperature<br>D.B.(°C) | Indoor air temperature D.B / W.B. (°C) |      |         |      |         |      |       |      |         |      |         |      |       |      |
|---|--|--|------|---------|------|---------|------|-------|------|---------|------|---------|------|-------|------|
|   |  | 20,8/14                                |      | 23,3/16 |      | 25,8/18 |      | 27/19 |      | 28,2/20 |      | 30,7/22 |      | 32/24 |      |
|   |  | kWf                                    | kWe  | kWf     | kWe  | kWf     | kWe  | kWf   | kWe  | kWf     | kWe  | kWf     | kWe  | kWf   | kWe  |
| 130%                                    | -15                                    | 16,7                                   | 2,54 | 19,8    | 3,1  | 23      | 3,33 | 23,9  | 3,49 | 25,2    | 3,6  | 25,6    | 3,9  | 26,2  | 3,91 |
|   | -13                                    | 16,7                                   | 2,55 | 19,8    | 3,1  | 23      | 3,36 | 23,9  | 3,5  | 25,2    | 3,6  | 25,6    | 3,91 | 26,2  | 3,94 |
|   | -11                                    | 16,7                                   | 2,55 | 19,8    | 3,12 | 23      | 3,36 | 23,9  | 3,51 | 25,2    | 3,61 | 25,6    | 3,91 | 26,2  | 3,94 |
|   | -9                                     | 17,2                                   | 2,57 | 20,5    | 3,15 | 23,8    | 3,37 | 24,5  | 3,52 | 26      | 3,62 | 26,3    | 3,94 | 26,9  | 3,97 |
|   | -7                                     | 17,2                                   | 2,59 | 20,5    | 3,15 | 23,8    | 3,37 | 24,5  | 3,53 | 26      | 3,62 | 26,3    | 3,94 | 26,9  | 3,97 |
|   | -5                                     | 17,6                                   | 2,6  | 20,9    | 3,17 | 24,3    | 3,4  | 25,2  | 3,53 | 26,4    | 3,63 | 27,1    | 3,95 | 27,8  | 3,98 |
|   | -2                                     | 17,6                                   | 2,6  | 20,9    | 3,23 | 24,3    | 3,4  | 25,2  | 3,55 | 26,4    | 3,63 | 27,1    | 4    | 27,8  | 4,02 |
|   | 0                                      | 17,6                                   | 2,64 | 20,9    | 3,29 | 24,3    | 3,52 | 25,2  | 3,75 | 26,4    | 3,85 | 27,1    | 4,05 | 27,8  | 4,07 |
|   | 2                                      | 17,6                                   | 2,69 | 20,9    | 3,29 | 24,3    | 3,64 | 25,2  | 3,96 | 26,4    | 3,89 | 27,1    | 4,08 | 27,8  | 4,13 |
|   | 4                                      | 17,6                                   | 2,75 | 20,9    | 3,36 | 24,3    | 3,77 | 25,2  | 3,98 | 26,4    | 3,94 | 27,1    | 4,14 | 27,8  | 4,21 |
|   | 6                                      | 17,6                                   | 2,8  | 20,9    | 3,42 | 24,3    | 3,91 | 25,2  | 4,01 | 26,1    | 4,06 | 26,7    | 4,21 | 27,4  | 4,24 |
|   | 8                                      | 17,6                                   | 2,87 | 20,9    | 3,5  | 24,3    | 4,1  | 25,2  | 4,21 | 25,8    | 4,2  | 26,4    | 4,22 | 27,1  | 4,28 |
|   | 10                                     | 17,6                                   | 2,93 | 20,9    | 3,58 | 24,3    | 4,25 | 25,2  | 4,35 | 25,5    | 4,27 | 26,1    | 4,29 | 26,8  | 4,41 |
|   | 12                                     | 17,6                                   | 2,98 | 20,9    | 3,65 | 24,3    | 4,34 | 24,9  | 4,41 | 25,2    | 4,34 | 25,8    | 4,35 | 26,4  | 4,43 |
|   | 14                                     | 17,6                                   | 3,04 | 20,9    | 3,71 | 24,2    | 4,4  | 24,6  | 4,48 | 24,9    | 4,4  | 25,5    | 4,41 | 26,1  | 4,53 |
|   | 16                                     | 17,6                                   | 3,09 | 20,9    | 3,79 | 23,9    | 4,47 | 24,2  | 4,54 | 24,5    | 4,53 | 25,1    | 4,48 | 25,8  | 4,61 |
|   | 18                                     | 17,6                                   | 3,15 | 20,9    | 3,87 | 23,6    | 4,54 | 23,9  | 4,56 | 24,2    | 4,59 | 24,9    | 4,63 | 25,5  | 4,67 |
|   | 20                                     | 17,6                                   | 3,22 | 20,9    | 4,12 | 23,2    | 4,76 | 23,6  | 4,78 | 23,9    | 4,81 | 24,5    | 4,85 | 25,1  | 4,9  |
|   | 21                                     | 17,6                                   | 3,3  | 20,9    | 4,26 | 23,1    | 4,87 | 23,4  | 4,9  | 23,7    | 4,92 | 24,4    | 4,97 | 25    | 5,02 |
|   | 23                                     | 17,6                                   | 3,54 | 20,9    | 4,57 | 22,8    | 5,09 | 23,1  | 5,12 | 23,4    | 5,14 | 24      | 5,19 | 24,6  | 5,25 |
|   | 25                                     | 17,6                                   | 3,78 | 20,9    | 4,9  | 22,4    | 5,31 | 22,7  | 5,34 | 23,1    | 5,37 | 23,7    | 5,43 | 24,4  | 5,48 |
| 27                                      | 17,6                                   | 4,04                                   | 20,9 | 5,24    | 22,1 | 5,54    | 22,4 | 5,57  | 22,7 | 5,6     | 23,4 | 5,66    | 24   | 5,72  |      |
| 29                                      | 17,6                                   | 4,31                                   | 20,9 | 5,6     | 21,8 | 5,76    | 22,1 | 5,79  | 22,4 | 5,83    | 23,1 | 5,89    | 23,7 | 5,95  |      |
| 31                                      | 17,6                                   | 4,6                                    | 20,9 | 5,92    | 21,4 | 5,99    | 21,8 | 6,02  | 22,1 | 6,05    | 22,7 | 6,12    | 23,4 | 6,19  |      |
| 33                                      | 17,6                                   | 4,9                                    | 20,5 | 6,15    | 21,1 | 6,21    | 21,4 | 6,25  | 21,8 | 6,28    | 22,4 | 6,35    | 23   | 6,42  |      |
| 35                                      | 17,6                                   | 5,23                                   | 20,1 | 6,37    | 20,8 | 6,44    | 21,1 | 6,48  | 21,4 | 6,51    | 22,1 | 6,59    | 22,7 | 6,66  |      |
| 37                                      | 17,6                                   | 5,56                                   | 19,9 | 6,6     | 20,5 | 6,68    | 20,8 | 6,71  | 21,1 | 6,75    | 21,7 | 6,83    | 22,4 | 6,91  |      |
| 39                                      | 17,6                                   | 5,92                                   | 19,5 | 6,67    | 20,1 | 6,9     | 20,5 | 6,94  | 20,8 | 6,98    | 21,4 | 7,06    | 22,1 | 7,15  |      |
| 41                                      | 17,6                                   | 6,23                                   | 19,3 | 6,73    | 19,9 | 6,96    | 20,3 | 7,01  | 20,6 | 7,05    | 21,2 | 7,07    | 21,2 | 7,21  |      |
| 43                                      | 17,6                                   | 6,39                                   | 19,2 | 6,76    | 19,8 | 6,98    | 20,2 | 7,04  | 20,4 | 7,06    | 20,8 | 7,09    | 21   | 7,23  |      |
| 45                                      | 17,6                                   | 6,71                                   | 19   | 6,83    | 19,6 | 7,05    | 20   | 7,08  | 20,1 | 7,09    | 20,3 | 7,11    | 20,6 | 7,36  |      |
| 120%                                    | -15                                    | 15,3                                   | 2,45 | 18,2    | 2,97 | 21,2    | 3,52 | 22,7  | 3,86 | 24      | 4,05 | 24,2    | 4,15 | 24,7  | 4,26 |
|   | -13                                    | 15,3                                   | 2,46 | 18,2    | 2,97 | 21,2    | 3,54 | 22,7  | 3,88 | 24      | 4,05 | 24,2    | 4,16 | 24,7  | 4,28 |
|   | -11                                    | 15,3                                   | 2,46 | 18,2    | 2,99 | 21,2    | 3,54 | 22,7  | 3,89 | 24      | 4,06 | 24,2    | 4,17 | 24,7  | 4,28 |
|   | -9                                     | 15,9                                   | 2,48 | 18,9    | 3,01 | 22      | 3,57 | 23,3  | 3,9  | 24,7    | 4,07 | 24,9    | 4,19 | 25,4  | 4,3  |
|   | -7                                     | 15,9                                   | 2,5  | 18,9    | 3,01 | 22      | 3,57 | 23,3  | 3,9  | 24,7    | 4,07 | 24,9    | 4,19 | 25,4  | 4,31 |
|   | -5                                     | 16,2                                   | 2,51 | 19,3    | 3,04 | 22,4    | 3,59 | 24    | 3,92 | 25,1    | 4,08 | 25,7    | 4,21 | 26,3  | 4,32 |
|   | -2                                     | 16,2                                   | 2,53 | 19,3    | 3,07 | 22,4    | 3,63 | 24    | 3,94 | 25,1    | 4,13 | 25,7    | 4,25 | 26,3  | 4,34 |
|   | 0                                      | 16,2                                   | 2,55 | 19,3    | 3,09 | 22,4    | 3,67 | 24    | 3,95 | 25,1    | 4,17 | 25,7    | 4,27 | 26,3  | 4,35 |
|   | 2                                      | 16,2                                   | 2,56 | 19,3    | 3,12 | 22,4    | 3,69 | 24    | 3,99 | 25,1    | 4,18 | 25,7    | 4,3  | 26,3  | 4,36 |
|   | 4                                      | 16,2                                   | 2,59 | 19,3    | 3,16 | 22,4    | 3,75 | 24    | 4,02 | 25,1    | 4,24 | 25,7    | 4,31 | 26,3  | 4,37 |
|   | 6                                      | 16,2                                   | 2,61 | 19,3    | 3,19 | 22,4    | 3,79 | 24    | 4,07 | 25,1    | 4,28 | 25,7    | 4,35 | 26,3  | 4,38 |
|   | 8                                      | 16,2                                   | 2,64 | 19,3    | 3,22 | 22,4    | 3,84 | 24    | 4,12 | 25,1    | 4,33 | 25,7    | 4,36 | 26,3  | 4,4  |
|   | 10                                     | 16,2                                   | 2,67 | 19,3    | 3,26 | 22,4    | 3,88 | 24    | 4,19 | 25,1    | 4,33 | 25,7    | 4,38 | 26,3  | 4,42 |
|   | 12                                     | 16,2                                   | 2,72 | 19,3    | 3,32 | 22,4    | 3,95 | 24    | 4,27 | 24,8    | 4,35 | 25,4    | 4,35 | 25,9  | 4,45 |
|   | 14                                     | 16,2                                   | 2,77 | 19,3    | 3,39 | 22,4    | 4,03 | 24    | 4,36 | 24,4    | 4,38 | 25,1    | 4,42 | 25,6  | 4,51 |
|   | 16                                     | 16,2                                   | 2,82 | 19,3    | 3,46 | 22,4    | 4,11 | 23,9  | 4,1  | 24,1    | 4,44 | 24,7    | 4,49 | 25,3  | 4,57 |
|   | 18                                     | 16,2                                   | 2,88 | 19,3    | 3,53 | 22,4    | 4,25 | 23,5  | 4,54 | 23,8    | 4,55 | 24,4    | 4,6  | 25    | 4,64 |
|   | 20                                     | 16,2                                   | 2,94 | 19,3    | 3,66 | 22,4    | 4,57 | 23,2  | 4,76 | 23,5    | 4,78 | 24,1    | 4,82 | 24,6  | 4,86 |
|   | 21                                     | 16,2                                   | 2,96 | 19,3    | 3,79 | 22,4    | 4,73 | 23    | 4,87 | 23,3    | 4,89 | 23,9    | 4,93 | 24,5  | 4,98 |
|   | 23                                     | 16,2                                   | 3,17 | 19,3    | 4,06 | 22,4    | 5,07 | 22,7  | 5,08 | 23      | 5,11 | 23,6    | 5,16 | 24,1  | 5,2  |
|   | 25                                     | 16,2                                   | 3,38 | 19,3    | 4,35 | 22,1    | 5,29 | 22,4  | 5,31 | 22,6    | 5,33 | 23,3    | 5,38 | 23,9  | 5,43 |
| 27                                      | 16,2                                   | 3,61                                   | 19,3 | 4,65    | 21,8 | 5,5     | 22,1 | 5,54  | 22,4 | 5,56    | 22,9 | 5,61    | 23,5 | 5,67  |      |
| 29                                      | 16,2                                   | 3,85                                   | 19,3 | 4,96    | 21,4 | 5,73    | 21,7 | 5,76  | 22   | 5,79    | 22,6 | 5,84    | 23,2 | 5,9   |      |
| 31                                      | 16,2                                   | 4,11                                   | 19,3 | 5,3     | 21,1 | 5,96    | 21,4 | 5,98  | 21,7 | 6,02    | 22,3 | 6,08    | 22,9 | 6,14  |      |
| 33                                      | 16,2                                   | 4,37                                   | 19,3 | 5,65    | 20,8 | 6,18    | 21,1 | 6,21  | 21,4 | 6,24    | 21,9 | 6,31    | 22,5 | 6,37  |      |
| 35                                      | 16,2                                   | 4,66                                   | 19,3 | 6,03    | 20,4 | 6,4     | 20,7 | 6,44  | 21,1 | 6,47    | 21,6 | 6,54    | 22,2 | 6,61  |      |
| 37                                      | 16,2                                   | 4,95                                   | 19,3 | 6,42    | 20,1 | 6,63    | 20,4 | 6,67  | 20,7 | 6,7     | 21,3 | 6,77    | 21,9 | 6,85  |      |
| 39                                      | 16,2                                   | 5,27                                   | 19,2 | 6,78    | 19,8 | 6,86    | 20,1 | 6,9   | 20,4 | 6,93    | 21   | 7,01    | 21,6 | 7,08  |      |
| 41                                      | 16,2                                   | 5,42                                   | 19,1 | 6,83    | 19,6 | 6,9     | 19,9 | 6,95  | 20,2 | 6,98    | 20,8 | 7,03    | 21   | 7,13  |      |
| 43                                      | 16,2                                   | 5,5                                    | 19   | 6,87    | 19,5 | 6,95    | 19,8 | 6,97  | 20   | 7,01    | 20,5 | 7,05    | 20,6 | 7,27  |      |
| 45                                      | 16,2                                   | 5,56                                   | 18,9 | 6,94    | 19,3 | 7,01    | 19,6 | 7,04  | 19,9 | 7,06    | 20,1 | 7,07    | 20,4 | 7,43  |      |

kWf = Cooling capacity [kW]  
kWe = Compressor + Fan power input [kW]  
DB=Dry bulb  
WB=Wet bulb

# Performance in Cooling

## MSAN-XMi 200T

| Indoor/<br>Outdoor<br>Capacity<br>Ratio | Outdoor air<br>temperature<br>D.B.(°C) | Indoor air temperature D.B / W.B. (°C) |      |         |      |         |      |       |      |         |      |         |      |       |      |
|---|--|--|------|---------|------|---------|------|-------|------|---------|------|---------|------|-------|------|
|   |  | 20,8/14                                |      | 23,3/16 |      | 25,8/18 |      | 27/19 |      | 28,2/20 |      | 30,7/22 |      | 32/24 |      |
|   |  | kWf                                    | kWe  | kWf     | kWe  | kWf     | kWe  | kWf   | kWe  | kWf     | kWe  | kWf     | kWe  | kWf   | kWe  |
| 110%                                    | -15                                    | 14                                     | 2,14 | 16,8    | 2,67 | 19,5    | 3,19 | 20,9  | 3,44 | 22,3    | 3,72 | 23,8    | 3,84 | 24,3  | 3,96 |
|   | -13                                    | 14                                     | 2,15 | 16,8    | 2,67 | 19,5    | 3,21 | 20,9  | 3,45 | 22,3    | 3,72 | 23,8    | 3,85 | 24,3  | 3,98 |
|   | -11                                    | 14                                     | 2,15 | 16,8    | 2,69 | 19,5    | 3,21 | 20,9  | 3,46 | 22,3    | 3,73 | 23,8    | 3,86 | 24,3  | 3,98 |
|   | -9                                     | 14,5                                   | 2,17 | 17,4    | 2,7  | 20,2    | 3,23 | 21,4  | 3,48 | 23,1    | 3,74 | 24,4    | 3,88 | 24,9  | 4    |
|   | -7                                     | 14,5                                   | 2,19 | 17,4    | 2,7  | 20,2    | 3,23 | 21,4  | 3,48 | 23,1    | 3,75 | 24,4    | 3,88 | 24,9  | 4,01 |
|   | -5                                     | 14,9                                   | 2,19 | 17,7    | 2,73 | 20,6    | 3,25 | 22    | 3,49 | 23,4    | 3,76 | 25,2    | 3,9  | 25,8  | 4,02 |
|   | -2                                     | 14,9                                   | 2,23 | 17,7    | 2,76 | 20,6    | 3,28 | 22    | 3,53 | 23,4    | 3,79 | 25,2    | 3,94 | 25,8  | 4,04 |
|   | 0                                      | 14,9                                   | 2,25 | 17,7    | 2,78 | 20,6    | 3,3  | 22    | 3,55 | 23,4    | 3,83 | 25,2    | 3,98 | 25,8  | 4,09 |
|   | 2                                      | 14,9                                   | 2,3  | 17,7    | 2,8  | 20,6    | 3,36 | 22    | 3,59 | 23,4    | 3,87 | 25,2    | 4,04 | 25,8  | 4,14 |
|   | 4                                      | 14,9                                   | 2,35 | 17,7    | 2,83 | 20,6    | 3,39 | 22    | 3,63 | 23,4    | 3,93 | 25,2    | 4,09 | 25,8  | 4,18 |
|   | 6                                      | 14,9                                   | 2,37 | 17,7    | 2,87 | 20,6    | 3,42 | 22    | 3,69 | 23,4    | 3,97 | 25,2    | 4,13 | 25,8  | 4,25 |
|   | 8                                      | 14,9                                   | 2,39 | 17,7    | 2,91 | 20,6    | 3,46 | 22    | 3,73 | 23,4    | 4,02 | 25,2    | 4,16 | 25,8  | 4,29 |
|   | 10                                     | 14,9                                   | 2,42 | 17,7    | 2,95 | 20,6    | 3,51 | 22    | 3,79 | 23,4    | 4,08 | 25,2    | 4,19 | 25,8  | 4,33 |
|   | 12                                     | 14,9                                   | 2,47 | 17,7    | 3,01 | 20,6    | 3,58 | 22    | 3,87 | 23,4    | 4,16 | 24,9    | 4,25 | 25,4  | 4,38 |
|   | 14                                     | 14,9                                   | 2,52 | 17,7    | 3,06 | 20,6    | 3,65 | 22    | 3,94 | 23,4    | 4,24 | 24,6    | 4,29 | 25,1  | 4,41 |
|   | 16                                     | 14,9                                   | 2,56 | 17,7    | 3,12 | 20,6    | 3,71 | 22    | 4,01 | 23,4    | 4,32 | 24,3    | 4,34 | 24,8  | 4,46 |
|   | 18                                     | 14,9                                   | 2,61 | 17,7    | 3,18 | 20,6    | 3,79 | 22    | 4,12 | 23,4    | 4,53 | 23,9    | 4,56 | 24,5  | 4,6  |
|   | 20                                     | 14,9                                   | 2,66 | 17,7    | 3,25 | 20,6    | 4,01 | 22    | 4,43 | 23,1    | 4,75 | 23,6    | 4,78 | 24,1  | 4,83 |
|   | 21                                     | 14,9                                   | 2,69 | 17,7    | 3,35 | 20,6    | 4,16 | 22    | 4,6  | 22,9    | 4,86 | 23,4    | 4,9  | 24    | 4,94 |
|   | 23                                     | 14,9                                   | 2,82 | 17,7    | 3,59 | 20,6    | 4,46 | 22    | 4,93 | 22,6    | 5,07 | 23,1    | 5,13 | 23,6  | 5,17 |
|   | 25                                     | 14,9                                   | 3    | 17,7    | 3,83 | 20,6    | 4,77 | 22    | 5,28 | 22,3    | 5,3  | 22,8    | 5,35 | 23,4  | 5,39 |
| 27                                      | 14,9                                   | 3,2                                    | 17,7 | 4,1     | 20,6 | 5,1     | 21,6 | 5,5   | 21,9 | 5,52    | 22,5 | 5,57    | 23   | 5,62  |      |
| 29                                      | 14,9                                   | 3,41                                   | 17,7 | 4,37    | 20,6 | 5,45    | 21,4 | 5,73  | 21,6 | 5,75    | 22,1 | 5,8     | 22,7 | 5,85  |      |
| 31                                      | 14,9                                   | 3,64                                   | 17,7 | 4,66    | 20,6 | 5,82    | 21   | 5,95  | 21,3 | 5,97    | 21,9 | 6,02    | 22,4 | 6,09  |      |
| 33                                      | 14,9                                   | 3,87                                   | 17,7 | 4,97    | 20,4 | 6,14    | 20,7 | 6,17  | 21   | 6,2     | 21,5 | 6,26    | 22,1 | 6,32  |      |
| 35                                      | 14,9                                   | 4,12                                   | 17,7 | 5,3     | 20,1 | 6,36    | 20,4 | 6,39  | 20,6 | 6,43    | 21,1 | 6,49    | 21,7 | 6,55  |      |
| 37                                      | 14,9                                   | 4,38                                   | 17,7 | 5,64    | 19,8 | 6,59    | 20,1 | 6,62  | 20,3 | 6,65    | 20,9 | 6,72    | 21,4 | 6,78  |      |
| 39                                      | 14,9                                   | 4,66                                   | 17,7 | 6,01    | 19,4 | 6,81    | 19,7 | 6,85  | 20   | 6,88    | 20,5 | 6,95    | 21,1 | 7,02  |      |
| 41                                      | 14,9                                   | 4,7                                    | 17,7 | 6,06    | 19,3 | 6,86    | 19,6 | 6,9   | 19,8 | 6,93    | 20,2 | 7       | 20,4 | 7,07  |      |
| 43                                      | 14,9                                   | 4,75                                   | 17,7 | 6,13    | 19,1 | 6,91    | 19,4 | 6,94  | 19,7 | 6,98    | 20,1 | 7,02    | 20,1 | 7,21  |      |
| 45                                      | 14,9                                   | 4,91                                   | 17,7 | 6,17    | 18,9 | 6,97    | 19,2 | 7,03  | 19,5 | 7,04    | 19,9 | 7,21    | 19,9 | 7,38  |      |
| 100%                                    | -15                                    | 12,8                                   | 1,95 | 15,2    | 2,35 | 17,7    | 2,8  | 19    | 3,02 | 20,3    | 3,29 | 22,5    | 3,73 | 23,8  | 3,89 |
|   | -13                                    | 12,8                                   | 1,96 | 15,2    | 2,35 | 17,7    | 2,82 | 19    | 3,03 | 20,3    | 3,29 | 22,5    | 3,74 | 23,8  | 3,91 |
|   | -11                                    | 12,8                                   | 1,96 | 15,2    | 2,37 | 17,7    | 2,82 | 19    | 3,04 | 20,3    | 3,3  | 22,5    | 3,75 | 23,8  | 3,91 |
|   | -9                                     | 13,2                                   | 1,98 | 15,7    | 2,38 | 18,3    | 2,84 | 19,4  | 3,05 | 20,9    | 3,31 | 23,2    | 3,77 | 24,4  | 3,93 |
|   | -7                                     | 13,2                                   | 1,99 | 15,7    | 2,38 | 18,3    | 2,84 | 19,4  | 3,05 | 20,9    | 3,31 | 23,2    | 3,77 | 24,4  | 3,94 |
|   | -5                                     | 13,5                                   | 1,99 | 16,1    | 2,4  | 18,7    | 2,86 | 20    | 3,06 | 21,3    | 3,32 | 23,9    | 3,78 | 25,3  | 3,95 |
|   | -2                                     | 13,5                                   | 2,02 | 16,1    | 2,43 | 18,7    | 2,89 | 20    | 3,12 | 21,3    | 3,37 | 23,9    | 3,83 | 25,3  | 3,98 |
|   | 0                                      | 13,5                                   | 2,04 | 16,1    | 2,46 | 18,7    | 2,92 | 20    | 3,16 | 21,3    | 3,4  | 23,9    | 3,89 | 25,3  | 4,02 |
|   | 2                                      | 13,5                                   | 2,08 | 16,1    | 2,49 | 18,7    | 2,95 | 20    | 3,2  | 21,3    | 3,44 | 23,9    | 3,95 | 25,3  | 4,08 |
|   | 4                                      | 13,5                                   | 2,09 | 16,1    | 2,51 | 18,7    | 3    | 20    | 3,24 | 21,3    | 3,48 | 23,9    | 3,99 | 25,3  | 4,13 |
|   | 6                                      | 13,5                                   | 2,12 | 16,1    | 2,57 | 18,7    | 3,04 | 20    | 3,3  | 21,3    | 3,53 | 23,9    | 4,04 | 25,3  | 4,19 |
|   | 8                                      | 13,5                                   | 2,17 | 16,1    | 2,6  | 18,7    | 3,09 | 20    | 3,34 | 21,3    | 3,59 | 23,9    | 4,11 | 25,3  | 4,26 |
|   | 10                                     | 13,5                                   | 2,19 | 16,1    | 2,65 | 18,7    | 3,14 | 20    | 3,4  | 21,3    | 3,65 | 23,9    | 4,18 | 25,3  | 4,32 |
|   | 12                                     | 13,5                                   | 2,23 | 16,1    | 2,7  | 18,7    | 3,2  | 20    | 3,46 | 21,3    | 3,72 | 23,9    | 4,25 | 24,9  | 4,36 |
|   | 14                                     | 13,5                                   | 2,27 | 16,1    | 2,76 | 18,7    | 3,26 | 20    | 3,53 | 21,3    | 3,79 | 23,9    | 4,34 | 24,6  | 4,41 |
|   | 16                                     | 13,5                                   | 2,31 | 16,1    | 2,81 | 18,7    | 3,33 | 20    | 3,59 | 21,3    | 3,87 | 23,8    | 4,39 | 24,3  | 4,46 |
|   | 18                                     | 13,5                                   | 2,35 | 16,1    | 2,86 | 18,7    | 3,39 | 20    | 3,66 | 21,3    | 3,95 | 23,5    | 4,54 | 24    | 4,57 |
|   | 20                                     | 13,5                                   | 2,4  | 16,1    | 2,92 | 18,7    | 3,49 | 20    | 3,85 | 21,3    | 4,23 | 23,1    | 4,75 | 23,6  | 4,79 |
|   | 21                                     | 13,5                                   | 2,42 | 16,1    | 2,94 | 18,7    | 3,62 | 20    | 3,99 | 21,3    | 4,37 | 23      | 4,86 | 23,5  | 4,9  |
|   | 23                                     | 13,5                                   | 2,48 | 16,1    | 3,14 | 18,7    | 3,88 | 20    | 4,27 | 21,3    | 4,69 | 22,7    | 5,08 | 23,1  | 5,13 |
|   | 25                                     | 13,5                                   | 2,64 | 16,1    | 3,35 | 18,7    | 4,15 | 20    | 4,58 | 21,3    | 5,02 | 22,4    | 5,31 | 22,9  | 5,35 |
| 27                                      | 13,5                                   | 2,82                                   | 16,1 | 3,58    | 18,7 | 4,43    | 20   | 4,9   | 21,3 | 5,37    | 22   | 5,53    | 22,5 | 5,58  |      |
| 29                                      | 13,5                                   | 3                                      | 16,1 | 3,82    | 18,7 | 4,73    | 20   | 5,23  | 21,2 | 5,71    | 21,7 | 5,76    | 22,2 | 5,8   |      |
| 31                                      | 13,5                                   | 3,2                                    | 16,1 | 4,07    | 18,7 | 5,05    | 20   | 5,58  | 20,9 | 5,93    | 21,4 | 5,98    | 21,9 | 6,03  |      |
| 33                                      | 13,5                                   | 3,4                                    | 16,1 | 4,34    | 18,7 | 5,38    | 20   | 5,96  | 20,6 | 6,15    | 21,1 | 6,2     | 21,6 | 6,26  |      |
| 35                                      | 13,5                                   | 3,61                                   | 16,1 | 4,61    | 18,7 | 5,74    | 20   | 6,35  | 20,2 | 6,38    | 20,7 | 6,44    | 21,2 | 6,49  |      |
| 37                                      | 13,5                                   | 3,84                                   | 16,1 | 4,91    | 18,7 | 6,12    | 19,6 | 6,57  | 19,9 | 6,61    | 20,4 | 6,67    | 20,9 | 6,72  |      |
| 39                                      | 13,5                                   | 4,08                                   | 16,1 | 5,22    | 18,7 | 6,51    | 19,4 | 6,8   | 19,6 | 6,83    | 20,1 | 6,89    | 20,6 | 6,96  |      |
| 41                                      | 13,5                                   | 4,27                                   | 16,1 | 5,41    | 18,7 | 6,75    | 19,1 | 6,84  | 19,4 | 6,93    | 19,7 | 7,05    | 20,3 | 7,1   |      |
| 43                                      | 13,5                                   | 4,46                                   | 16,1 | 5,6     | 18,7 | 6,88    | 18,8 | 6,92  | 19,3 | 7       | 19,8 | 7,1     | 19,9 | 7,18  |      |
| 45                                      | 13,5                                   | 4,72                                   | 16,1 | 5,86    | 18,7 | 6,99    | 18,4 | 7,02  | 19,2 | 7,13    | 19,7 | 7,21    | 19,5 | 7,28  |      |

kWf = Cooling capacity [kW]

kWe = Compressor + Fan power input [kW]

DB=Dry bulb

WB=Wet bulb

# Performance in Cooling

## MSAN-XMi 200T

| Indoor/<br>Outdoor<br>Capacity<br>Ratio | Outdoor air<br>temperature<br>D.B.(°C) | Indoor air temperature D.B / W.B. (°C) |      |         |      |         |      |       |      |         |      |         |      |       |      |
|---|--|--|------|---------|------|---------|------|-------|------|---------|------|---------|------|-------|------|
|   |  | 20,8/14                                |      | 23,3/16 |      | 25,8/18 |      | 27/19 |      | 28,2/20 |      | 30,7/22 |      | 32/24 |      |
|   |  | kWf                                    | kWe  | kWf     | kWe  | kWf     | kWe  | kWf   | kWe  | kWf     | kWe  | kWf     | kWe  | kWf   | kWe  |
| 90%                                     | -15                                    | 11,5                                   | 1,73 | 13,7    | 2,07 | 16      | 2,45 | 17,1  | 2,69 | 18,3    | 2,87 | 20,3    | 3,28 | 22,4  | 3,75 |
|   | -13                                    | 11,5                                   | 1,73 | 13,7    | 2,07 | 16      | 2,46 | 17,1  | 2,7  | 18,3    | 2,87 | 20,3    | 3,29 | 22,4  | 3,77 |
|   | -11                                    | 11,5                                   | 1,73 | 13,7    | 2,09 | 16      | 2,46 | 17,1  | 2,7  | 18,3    | 2,88 | 20,3    | 3,3  | 22,4  | 3,77 |
|   | -9                                     | 11,9                                   | 1,75 | 14,2    | 2,1  | 16,5    | 2,48 | 17,5  | 2,71 | 18,8    | 2,89 | 20,8    | 3,32 | 23    | 3,79 |
|   | -7                                     | 11,9                                   | 1,76 | 14,2    | 2,1  | 16,5    | 2,48 | 17,5  | 2,71 | 18,8    | 2,89 | 20,8    | 3,32 | 23    | 3,8  |
|   | -5                                     | 12,1                                   | 1,76 | 14,5    | 2,12 | 16,9    | 2,5  | 18    | 2,72 | 19,1    | 2,9  | 21,5    | 3,33 | 23,9  | 3,81 |
|   | -2                                     | 12,1                                   | 1,78 | 14,5    | 2,14 | 16,9    | 2,53 | 18    | 2,76 | 19,1    | 2,93 | 21,5    | 3,36 | 23,9  | 3,85 |
|   | 0                                      | 12,1                                   | 1,81 | 14,5    | 2,16 | 16,9    | 2,57 | 18    | 2,79 | 19,1    | 2,97 | 21,5    | 3,4  | 23,9  | 3,88 |
|   | 2                                      | 12,1                                   | 1,83 | 14,5    | 2,19 | 16,9    | 2,59 | 18    | 2,84 | 19,1    | 3,02 | 21,5    | 3,47 | 23,9  | 3,94 |
|   | 4                                      | 12,1                                   | 1,86 | 14,5    | 2,22 | 16,9    | 2,64 | 18    | 2,88 | 19,1    | 3,05 | 21,5    | 3,53 | 23,9  | 4    |
|   | 6                                      | 12,1                                   | 1,89 | 14,5    | 2,27 | 16,9    | 2,69 | 18    | 2,93 | 19,1    | 3,11 | 21,5    | 3,58 | 23,9  | 4,06 |
|   | 8                                      | 12,1                                   | 1,92 | 14,5    | 2,31 | 16,9    | 2,74 | 18    | 2,97 | 19,1    | 3,16 | 21,5    | 3,65 | 23,9  | 4,1  |
|   | 10                                     | 12,1                                   | 1,96 | 14,5    | 2,36 | 16,9    | 2,79 | 18    | 3,01 | 19,1    | 3,23 | 21,5    | 3,69 | 23,9  | 4,17 |
|   | 12                                     | 12,1                                   | 1,99 | 14,5    | 2,4  | 16,9    | 2,84 | 18    | 3,06 | 19,1    | 3,29 | 21,5    | 3,77 | 23,9  | 4,24 |
|   | 14                                     | 12,1                                   | 2,03 | 14,5    | 2,45 | 16,9    | 2,89 | 18    | 3,12 | 19,1    | 3,35 | 21,5    | 3,83 | 23,9  | 4,32 |
|   | 16                                     | 12,1                                   | 2,06 | 14,5    | 2,49 | 16,9    | 2,95 | 18    | 3,18 | 19,1    | 3,42 | 21,5    | 3,91 | 23,8  | 4,4  |
|   | 18                                     | 12,1                                   | 2,1  | 14,5    | 2,54 | 16,9    | 3    | 18    | 3,24 | 19,1    | 3,49 | 21,5    | 3,99 | 23,5  | 4,54 |
|   | 20                                     | 12,1                                   | 2,14 | 14,5    | 2,6  | 16,9    | 3,06 | 18    | 3,31 | 19,1    | 3,62 | 21,5    | 4,29 | 23,1  | 4,75 |
|   | 21                                     | 12,1                                   | 2,16 | 14,5    | 2,62 | 16,9    | 3,11 | 18    | 3,42 | 19,1    | 3,75 | 21,5    | 4,44 | 23    | 4,86 |
|   | 23                                     | 12,1                                   | 2,2  | 14,5    | 2,72 | 16,9    | 3,34 | 18    | 3,67 | 19,1    | 4,02 | 21,5    | 4,77 | 22,6  | 5,08 |
|   | 25                                     | 12,1                                   | 2,32 | 14,5    | 2,91 | 16,9    | 3,57 | 18    | 3,93 | 19,1    | 4,3  | 21,5    | 5,1  | 22,4  | 5,31 |
| 27                                      | 12,1                                   | 2,46                                   | 14,5 | 3,1     | 16,9 | 3,81    | 18   | 4,19  | 19,1 | 4,6     | 21,5 | 5,46    | 22   | 5,53  |      |
| 29                                      | 12,1                                   | 2,63                                   | 14,5 | 3,3     | 16,9 | 4,06    | 18   | 4,48  | 19,1 | 4,91    | 21,3 | 5,71    | 21,7 | 5,75  |      |
| 31                                      | 12,1                                   | 2,79                                   | 14,5 | 3,52    | 16,9 | 4,33    | 18   | 4,77  | 19,1 | 5,24    | 20,9 | 5,93    | 21,4 | 5,98  |      |
| 33                                      | 12,1                                   | 2,96                                   | 14,5 | 3,74    | 16,9 | 4,62    | 18   | 5,09  | 19,1 | 5,59    | 20,6 | 6,16    | 21,1 | 6,2   |      |
| 35                                      | 12,1                                   | 3,15                                   | 14,5 | 3,98    | 16,9 | 4,92    | 18   | 5,43  | 19,1 | 5,96    | 20,3 | 6,38    | 20,7 | 6,44  |      |
| 37                                      | 12,1                                   | 3,34                                   | 14,5 | 4,23    | 16,9 | 5,24    | 18   | 5,78  | 19,1 | 6,35    | 19,9 | 6,61    | 20,4 | 6,66  |      |
| 39                                      | 12,1                                   | 3,54                                   | 14,5 | 4,5     | 16,9 | 5,57    | 18   | 6,15  | 19,1 | 6,76    | 19,6 | 6,84    | 20,1 | 6,89  |      |
| 41                                      | 12,1                                   | 3,66                                   | 14,5 | 4,7     | 16,9 | 5,77    | 18   | 6,32  | 19,1 | 6,8     | 19,5 | 7,01    | 19,9 | 7,05  |      |
| 43                                      | 12,1                                   | 3,84                                   | 14,5 | 4,91    | 16,9 | 5,98    | 18   | 6,48  | 19,1 | 6,95    | 19,4 | 7,1     | 19,8 | 7,16  |      |
| 45                                      | 12,1                                   | 4,09                                   | 14,5 | 5,15    | 16,9 | 6,22    | 18   | 6,7   | 19,1 | 7,14    | 19,3 | 7,18    | 19,5 | 7,26  |      |
| 80%                                     | -15                                    | 10,2                                   | 1,52 | 12,2    | 1,8  | 14,1    | 2,13 | 15,2  | 2,28 | 16,3    | 2,47 | 18      | 2,84 | 20    | 3,23 |
|   | -13                                    | 10,2                                   | 1,53 | 12,2    | 1,8  | 14,1    | 2,15 | 15,2  | 2,29 | 16,3    | 2,47 | 18      | 2,84 | 20    | 3,25 |
|   | -11                                    | 10,2                                   | 1,53 | 12,2    | 1,81 | 14,1    | 2,15 | 15,2  | 2,3  | 16,3    | 2,48 | 18      | 2,85 | 20    | 3,25 |
|   | -9                                     | 10,6                                   | 1,54 | 12,6    | 1,82 | 14,6    | 2,16 | 15,5  | 2,3  | 16,8    | 2,48 | 18,5    | 2,87 | 20,5  | 3,27 |
|   | -7                                     | 10,6                                   | 1,55 | 12,6    | 1,82 | 14,6    | 2,16 | 15,5  | 2,3  | 16,8    | 2,49 | 18,5    | 2,87 | 20,5  | 3,28 |
|   | -5                                     | 10,8                                   | 1,55 | 12,9    | 1,84 | 14,9    | 2,18 | 16    | 2,31 | 17,1    | 2,49 | 19,1    | 2,88 | 21,2  | 3,29 |
|   | -2                                     | 10,8                                   | 1,58 | 12,9    | 1,86 | 14,9    | 2,19 | 16    | 2,35 | 17,1    | 2,51 | 19,1    | 2,91 | 21,2  | 3,32 |
|   | 0                                      | 10,8                                   | 1,6  | 12,9    | 1,88 | 14,9    | 2,22 | 16    | 2,38 | 17,1    | 2,56 | 19,1    | 2,95 | 21,2  | 3,36 |
|   | 2                                      | 10,8                                   | 1,64 | 12,9    | 1,91 | 14,9    | 2,25 | 16    | 2,42 | 17,1    | 2,6  | 19,1    | 3,01 | 21,2  | 3,43 |
|   | 4                                      | 10,8                                   | 1,66 | 12,9    | 1,94 | 14,9    | 2,3  | 16    | 2,48 | 17,1    | 2,65 | 19,1    | 3,06 | 21,2  | 3,47 |
|   | 6                                      | 10,8                                   | 1,69 | 12,9    | 1,99 | 14,9    | 2,33 | 16    | 2,53 | 17,1    | 2,7  | 19,1    | 3,11 | 21,2  | 3,53 |
|   | 8                                      | 10,8                                   | 1,72 | 12,9    | 2,03 | 14,9    | 2,39 | 16    | 2,57 | 17,1    | 2,76 | 19,1    | 3,15 | 21,2  | 3,6  |
|   | 10                                     | 10,8                                   | 1,74 | 12,9    | 2,08 | 14,9    | 2,45 | 16    | 2,64 | 17,1    | 2,82 | 19,1    | 3,23 | 21,2  | 3,64 |
|   | 12                                     | 10,8                                   | 1,76 | 12,9    | 2,11 | 14,9    | 2,49 | 16    | 2,69 | 17,1    | 2,88 | 19,1    | 3,29 | 21,2  | 3,71 |
|   | 14                                     | 10,8                                   | 1,8  | 12,9    | 2,16 | 14,9    | 2,53 | 16    | 2,73 | 17,1    | 2,94 | 19,1    | 3,35 | 21,2  | 3,77 |
|   | 16                                     | 10,8                                   | 1,82 | 12,9    | 2,19 | 14,9    | 2,58 | 16    | 2,78 | 17,1    | 2,99 | 19,1    | 3,41 | 21,2  | 3,84 |
|   | 18                                     | 10,8                                   | 1,86 | 12,9    | 2,23 | 14,9    | 2,64 | 16    | 2,84 | 17,1    | 3,05 | 19,1    | 3,48 | 21,2  | 3,92 |
|   | 20                                     | 10,8                                   | 1,89 | 12,9    | 2,28 | 14,9    | 2,69 | 16    | 2,89 | 17,1    | 3,11 | 19,1    | 3,61 | 21,2  | 4,19 |
|   | 21                                     | 10,8                                   | 1,91 | 12,9    | 2,29 | 14,9    | 2,71 | 16    | 2,93 | 17,1    | 3,18 | 19,1    | 3,74 | 21,2  | 4,35 |
|   | 23                                     | 10,8                                   | 1,94 | 12,9    | 2,34 | 14,9    | 2,84 | 16    | 3,11 | 17,1    | 3,4  | 19,1    | 4,01 | 21,2  | 4,66 |
|   | 25                                     | 10,8                                   | 2    | 12,9    | 2,49 | 14,9    | 3,04 | 16    | 3,33 | 17,1    | 3,63 | 19,1    | 4,29 | 21,2  | 4,99 |
| 27                                      | 10,8                                   | 2,13                                   | 12,9 | 2,65    | 14,9 | 3,24    | 16   | 3,55  | 17,1 | 3,88    | 19,1 | 4,58    | 21,2 | 5,34  |      |
| 29                                      | 10,8                                   | 2,27                                   | 12,9 | 2,82    | 14,9 | 3,45    | 16   | 3,78  | 17,1 | 4,14    | 19,1 | 4,89    | 21,2 | 5,71  |      |
| 31                                      | 10,8                                   | 2,4                                    | 12,9 | 3       | 14,9 | 3,67    | 16   | 4,03  | 17,1 | 4,42    | 19,1 | 5,22    | 20,9 | 5,93  |      |
| 33                                      | 10,8                                   | 2,56                                   | 12,9 | 3,19    | 14,9 | 3,91    | 16   | 4,3   | 17,1 | 4,7     | 19,1 | 5,56    | 20,6 | 6,15  |      |
| 35                                      | 10,8                                   | 2,71                                   | 12,9 | 3,4     | 14,9 | 4,16    | 16   | 4,57  | 17,1 | 5,01    | 19,1 | 5,93    | 20,2 | 6,38  |      |
| 37                                      | 10,8                                   | 2,88                                   | 12,9 | 3,6     | 14,9 | 4,42    | 16   | 4,87  | 17,1 | 5,33    | 19,1 | 6,32    | 19,9 | 6,6   |      |
| 39                                      | 10,8                                   | 3,05                                   | 12,9 | 3,84    | 14,9 | 4,71    | 16   | 5,18  | 17,1 | 5,67    | 19,1 | 6,74    | 19,6 | 6,83  |      |
| 41                                      | 10,8                                   | 3,12                                   | 12,9 | 3,88    | 14,9 | 4,78    | 16   | 5,32  | 17,1 | 5,78    | 19,1 | 6,91    | 19,5 | 6,95  |      |
| 43                                      | 10,8                                   | 3,21                                   | 12,9 | 3,91    | 14,9 | 4,84    | 16   | 5,41  | 17,1 | 5,86    | 19,1 | 6,99    | 19,3 | 7,02  |      |
| 45                                      | 10,8                                   | 3,3                                    | 12,9 | 3,96    | 14,9 | 4,94    | 16   | 5,52  | 17,1 | 5,96    | 19,1 | 7,06    | 19,1 | 7,14  |      |

kWf = Cooling capacity [kW]  
kWe = Compressor + Fan power input [kW]  
DB = Dry bulb  
WB = Wet bulb

# Performance in Cooling

## MSAN-XMi 200T

| Indoor/<br>Outdoor<br>Capacity<br>Ratio | Outdoor air<br>temperature<br>D.B.(°C) | Indoor air temperature D.B / W.B. (°C) |      |         |      |         |      |       |      |         |      |         |      |       |      |
|---|--|--|------|---------|------|---------|------|-------|------|---------|------|---------|------|-------|------|
|   |  | 20,8/14                                |      | 23,3/16 |      | 25,8/18 |      | 27/19 |      | 28,2/20 |      | 30,7/22 |      | 32/24 |      |
|   |  | kWf                                    | kWe  | kWf     | kWe  | kWf     | kWe  | kWf   | kWe  | kWf     | kWe  | kWf     | kWe  | kWf   | kWe  |
| 70%                                     | -15                                    | 8,9                                    | 1,36 | 10,7    | 1,59 | 12,4    | 1,81 | 13,3  | 1,95 | 14,2    | 2,09 | 15,7    | 2,38 | 17,5  | 2,73 |
|   | -13                                    | 8,9                                    | 1,36 | 10,7    | 1,59 | 12,4    | 1,82 | 13,3  | 1,96 | 14,2    | 2,09 | 15,7    | 2,38 | 17,5  | 2,74 |
|   | -11                                    | 8,9                                    | 1,36 | 10,7    | 1,6  | 12,4    | 1,82 | 13,3  | 1,96 | 14,2    | 2,1  | 15,7    | 2,39 | 17,5  | 2,74 |
|   | -9                                     | 9,2                                    | 1,37 | 11,1    | 1,61 | 12,8    | 1,83 | 13,6  | 1,97 | 14,7    | 2,1  | 16,2    | 2,4  | 17,9  | 2,76 |
|   | -7                                     | 9,2                                    | 1,39 | 11,1    | 1,61 | 12,8    | 1,83 | 13,6  | 1,97 | 14,7    | 2,1  | 16,2    | 2,4  | 17,9  | 2,77 |
|   | -5                                     | 9,4                                    | 1,39 | 11,3    | 1,63 | 13,1    | 1,84 | 14    | 1,98 | 14,9    | 2,11 | 16,7    | 2,41 | 18,6  | 2,77 |
|   | -2                                     | 9,4                                    | 1,4  | 11,3    | 1,63 | 13,1    | 1,85 | 14    | 2,01 | 14,9    | 2,15 | 16,7    | 2,45 | 18,6  | 2,81 |
|   | 0                                      | 9,4                                    | 1,41 | 11,3    | 1,66 | 13,1    | 1,89 | 14    | 2,05 | 14,9    | 2,18 | 16,7    | 2,5  | 18,6  | 2,85 |
|   | 2                                      | 9,4                                    | 1,41 | 11,3    | 1,66 | 13,1    | 1,92 | 14    | 2,09 | 14,9    | 2,22 | 16,7    | 2,55 | 18,6  | 2,9  |
|   | 4                                      | 9,4                                    | 1,43 | 11,3    | 1,71 | 13,1    | 1,97 | 14    | 2,13 | 14,9    | 2,27 | 16,7    | 2,6  | 18,6  | 2,96 |
|   | 6                                      | 9,4                                    | 1,46 | 11,3    | 1,74 | 13,1    | 2,01 | 14    | 2,2  | 14,9    | 2,33 | 16,7    | 2,64 | 18,6  | 3,02 |
|   | 8                                      | 9,4                                    | 1,48 | 11,3    | 1,79 | 13,1    | 2,06 | 14    | 2,23 | 14,9    | 2,37 | 16,7    | 2,72 | 18,6  | 3,08 |
|   | 10                                     | 9,4                                    | 1,51 | 11,3    | 1,81 | 13,1    | 2,11 | 14    | 2,28 | 14,9    | 2,44 | 16,7    | 2,77 | 18,6  | 3,12 |
|   | 12                                     | 9,4                                    | 1,55 | 11,3    | 1,84 | 13,1    | 2,16 | 14    | 2,32 | 14,9    | 2,48 | 16,7    | 2,82 | 18,6  | 3,18 |
|   | 14                                     | 9,4                                    | 1,57 | 11,3    | 1,87 | 13,1    | 2,19 | 14    | 2,35 | 14,9    | 2,52 | 16,7    | 2,88 | 18,6  | 3,24 |
|   | 16                                     | 9,4                                    | 1,6  | 11,3    | 1,91 | 13,1    | 2,23 | 14    | 2,4  | 14,9    | 2,58 | 16,7    | 2,93 | 18,6  | 3,29 |
|   | 18                                     | 9,4                                    | 1,63 | 11,3    | 1,94 | 13,1    | 2,28 | 14    | 2,45 | 14,9    | 2,62 | 16,7    | 2,99 | 18,6  | 3,36 |
|   | 20                                     | 9,4                                    | 1,65 | 11,3    | 1,98 | 13,1    | 2,32 | 14    | 2,49 | 14,9    | 2,67 | 16,7    | 3,05 | 18,6  | 3,46 |
|   | 21                                     | 9,4                                    | 1,67 | 11,3    | 1,99 | 13,1    | 2,34 | 14    | 2,52 | 14,9    | 2,7  | 16,7    | 3,09 | 18,6  | 3,58 |
|   | 23                                     | 9,4                                    | 1,69 | 11,3    | 2,03 | 13,1    | 2,39 | 14    | 2,6  | 14,9    | 2,83 | 16,7    | 3,31 | 18,6  | 3,83 |
|   | 25                                     | 9,4                                    | 1,73 | 11,3    | 2,11 | 13,1    | 2,54 | 14    | 2,78 | 14,9    | 3,02 | 16,7    | 3,54 | 18,6  | 4,1  |
| 27                                      | 9,4                                    | 1,83                                   | 11,3 | 2,25    | 13,1 | 2,71    | 14   | 2,96  | 14,9 | 3,23    | 16,7 | 3,78    | 18,6 | 4,38  |      |
| 29                                      | 9,4                                    | 1,94                                   | 11,3 | 2,39    | 13,1 | 2,88    | 14   | 3,16  | 14,9 | 3,43    | 16,7 | 4,03    | 18,6 | 4,68  |      |
| 31                                      | 9,4                                    | 2,05                                   | 11,3 | 2,53    | 13,1 | 3,07    | 14   | 3,35  | 14,9 | 3,65    | 16,7 | 4,3     | 18,6 | 4,99  |      |
| 33                                      | 9,4                                    | 2,18                                   | 11,3 | 2,7     | 13,1 | 3,27    | 14   | 3,57  | 14,9 | 3,89    | 16,7 | 4,58    | 18,6 | 5,32  |      |
| 35                                      | 9,4                                    | 2,31                                   | 11,3 | 2,86    | 13,1 | 3,47    | 14   | 3,8   | 14,9 | 4,14    | 16,7 | 4,88    | 18,6 | 5,67  |      |
| 37                                      | 9,4                                    | 2,44                                   | 11,3 | 3,03    | 13,1 | 3,69    | 14   | 4,03  | 14,9 | 4,41    | 16,7 | 5,19    | 18,6 | 6,04  |      |
| 39                                      | 9,4                                    | 2,58                                   | 11,3 | 3,21    | 13,1 | 3,91    | 14   | 4,29  | 14,9 | 4,68    | 16,7 | 5,52    | 18,6 | 6,44  |      |
| 41                                      | 9,4                                    | 2,7                                    | 11,3 | 3,32    | 13,1 | 4,03    | 14   | 4,43  | 14,9 | 4,82    | 16,7 | 5,75    | 18,6 | 6,72  |      |
| 43                                      | 9,4                                    | 2,92                                   | 11,3 | 3,55    | 13,1 | 4,19    | 14   | 4,67  | 14,9 | 4,97    | 16,7 | 5,96    | 18,6 | 6,93  |      |
| 45                                      | 9,4                                    | 2,98                                   | 11,3 | 3,63    | 13,1 | 4,28    | 14   | 4,74  | 14,9 | 5,21    | 16,7 | 6,28    | 18,6 | 7,2   |      |
| 60%                                     | -15                                    | 7,6                                    | 1,16 | 9,1     | 1,34 | 10,6    | 1,57 | 11,4  | 1,68 | 12,2    | 1,82 | 13,5    | 2,04 | 15    | 2,33 |
|   | -13                                    | 7,6                                    | 1,16 | 9,1     | 1,34 | 10,6    | 1,58 | 11,4  | 1,69 | 12,2    | 1,82 | 13,5    | 2,04 | 15    | 2,34 |
|   | -11                                    | 7,6                                    | 1,16 | 9,1     | 1,35 | 10,6    | 1,58 | 11,4  | 1,69 | 12,2    | 1,83 | 13,5    | 2,05 | 15    | 2,34 |
|   | -9                                     | 7,9                                    | 1,17 | 9,4     | 1,36 | 11      | 1,59 | 11,7  | 1,7  | 12,6    | 1,83 | 13,9    | 2,06 | 15,4  | 2,36 |
|   | -7                                     | 7,9                                    | 1,18 | 9,4     | 1,36 | 11      | 1,59 | 11,7  | 1,7  | 12,6    | 1,84 | 13,9    | 2,06 | 15,4  | 2,36 |
|   | -5                                     | 8,1                                    | 1,18 | 9,6     | 1,37 | 11,2    | 1,6  | 12    | 1,7  | 12,8    | 1,84 | 14,4    | 2,07 | 15,9  | 2,37 |
|   | -2                                     | 8,1                                    | 1,19 | 9,6     | 1,39 | 11,2    | 1,63 | 12    | 1,73 | 12,8    | 1,86 | 14,4    | 2,1  | 15,9  | 2,39 |
|   | 0                                      | 8,1                                    | 1,21 | 9,6     | 1,41 | 11,2    | 1,65 | 12    | 1,75 | 12,8    | 1,89 | 14,4    | 2,13 | 15,9  | 2,42 |
|   | 2                                      | 8,1                                    | 1,23 | 9,6     | 1,44 | 11,2    | 1,68 | 12    | 1,78 | 12,8    | 1,91 | 14,4    | 2,17 | 15,9  | 2,45 |
|   | 4                                      | 8,1                                    | 1,26 | 9,6     | 1,47 | 11,2    | 1,71 | 12    | 1,81 | 12,8    | 1,94 | 14,4    | 2,21 | 15,9  | 2,48 |
|   | 6                                      | 8,1                                    | 1,28 | 9,6     | 1,5  | 11,2    | 1,75 | 12    | 1,85 | 12,8    | 1,98 | 14,4    | 2,25 | 15,9  | 2,54 |
|   | 8                                      | 8,1                                    | 1,3  | 9,6     | 1,52 | 11,2    | 1,78 | 12    | 1,88 | 12,8    | 2,02 | 14,4    | 2,29 | 15,9  | 2,58 |
|   | 10                                     | 8,1                                    | 1,33 | 9,6     | 1,56 | 11,2    | 1,81 | 12    | 1,93 | 12,8    | 2,06 | 14,4    | 2,34 | 15,9  | 2,62 |
|   | 12                                     | 8,1                                    | 1,35 | 9,6     | 1,58 | 11,2    | 1,84 | 12    | 1,97 | 12,8    | 2,1  | 14,4    | 2,38 | 15,9  | 2,66 |
|   | 14                                     | 8,1                                    | 1,37 | 9,6     | 1,61 | 11,2    | 1,87 | 12    | 2    | 12,8    | 2,14 | 14,4    | 2,42 | 15,9  | 2,71 |
|   | 16                                     | 8,1                                    | 1,39 | 9,6     | 1,63 | 11,2    | 1,9  | 12    | 2,04 | 12,8    | 2,17 | 14,4    | 2,46 | 15,9  | 2,76 |
|   | 18                                     | 8,1                                    | 1,41 | 9,6     | 1,66 | 11,2    | 1,93 | 12    | 2,07 | 12,8    | 2,22 | 14,4    | 2,51 | 15,9  | 2,82 |
|   | 20                                     | 8,1                                    | 1,43 | 9,6     | 1,69 | 11,2    | 1,97 | 12    | 2,11 | 12,8    | 2,26 | 14,4    | 2,56 | 15,9  | 2,88 |
|   | 21                                     | 8,1                                    | 1,45 | 9,6     | 1,7  | 11,2    | 1,99 | 12    | 2,13 | 12,8    | 2,28 | 14,4    | 2,58 | 15,9  | 2,9  |
|   | 23                                     | 8,1                                    | 1,46 | 9,6     | 1,74 | 11,2    | 2,02 | 12    | 2,17 | 12,8    | 2,32 | 14,4    | 2,69 | 15,9  | 3,09 |
|   | 25                                     | 8,1                                    | 1,49 | 9,6     | 1,76 | 11,2    | 2,1  | 12    | 2,28 | 12,8    | 2,46 | 14,4    | 2,87 | 15,9  | 3,29 |
| 27                                      | 8,1                                    | 1,55                                   | 9,6  | 1,87    | 11,2 | 2,23    | 12   | 2,43  | 12,8 | 2,63    | 14,4 | 3,05    | 15,9 | 3,52  |      |
| 29                                      | 8,1                                    | 1,63                                   | 9,6  | 1,99    | 11,2 | 2,38    | 12   | 2,58  | 12,8 | 2,8     | 14,4 | 3,26    | 15,9 | 3,76  |      |
| 31                                      | 8,1                                    | 1,74                                   | 9,6  | 2,11    | 11,2 | 2,52    | 12   | 2,75  | 12,8 | 2,98    | 14,4 | 3,47    | 15,9 | 4     |      |
| 33                                      | 8,1                                    | 1,83                                   | 9,6  | 2,23    | 11,2 | 2,68    | 12   | 2,92  | 12,8 | 3,17    | 14,4 | 3,69    | 15,9 | 4,26  |      |
| 35                                      | 8,1                                    | 1,94                                   | 9,6  | 2,37    | 11,2 | 2,84    | 12   | 3,1   | 12,8 | 3,36    | 14,4 | 3,93    | 15,9 | 4,54  |      |
| 37                                      | 8,1                                    | 2,05                                   | 9,6  | 2,51    | 11,2 | 3,01    | 12   | 3,29  | 12,8 | 3,57    | 14,4 | 4,18    | 15,9 | 4,83  |      |
| 39                                      | 8,1                                    | 2,16                                   | 9,6  | 2,65    | 11,2 | 3,19    | 12   | 3,48  | 12,8 | 3,79    | 14,4 | 4,43    | 15,9 | 5,13  |      |
| 41                                      | 8,1                                    | 2,23                                   | 9,6  | 2,77    | 11,2 | 3,31    | 12   | 3,62  | 12,8 | 3,93    | 14,4 | 4,64    | 15,9 | 5,37  |      |
| 43                                      | 8,1                                    | 2,3                                    | 9,6  | 2,88    | 11,2 | 3,42    | 12   | 3,73  | 12,8 | 4,07    | 14,4 | 4,84    | 15,9 | 5,6   |      |
| 45                                      | 8,1                                    | 2,41                                   | 9,6  | 3,03    | 11,2 | 3,56    | 12   | 3,87  | 12,8 | 4,27    | 14,4 | 5,06    | 15,9 | 5,91  |      |

kWf = Cooling capacity [kW]

kWe = Compressor + Fan power input [kW]

DB=Dry bulb

WB=Wet bulb

# Performance in Cooling

## MSAN-XMi 200T

| Indoor/<br>Outdoor<br>Capacity<br>Ratio | Outdoor air<br>temperature<br>D.B.(°C) | Indoor air temperature D.B / W.B. (°C) |      |         |      |         |      |       |      |         |      |         |      |       |      |
|---|--|--|------|---------|------|---------|------|-------|------|---------|------|---------|------|-------|------|
|   |  | 20,8/14                                |      | 23,3/16 |      | 25,8/18 |      | 27/19 |      | 28,2/20 |      | 30,7/22 |      | 32/24 |      |
|   |  | kWf                                    | kWe  | kWf     | kWe  | kWf     | kWe  | kWf   | kWe  | kWf     | kWe  | kWf     | kWe  | kWf   | kWe  |
| 50%                                     | -15                                    | 6,4                                    | 1,01 | 7,6     | 1,16 | 8,9     | 1,34 | 9,5   | 1,41 | 10,1    | 1,49 | 11,2    | 1,69 | 12,5  | 1,82 |
|   | -13                                    | 6,4                                    | 1,01 | 7,6     | 1,16 | 8,9     | 1,35 | 9,5   | 1,41 | 10,1    | 1,49 | 11,2    | 1,69 | 12,5  | 1,83 |
|   | -11                                    | 6,4                                    | 1,01 | 7,6     | 1,17 | 8,9     | 1,35 | 9,5   | 1,42 | 10,1    | 1,5  | 11,2    | 1,7  | 12,5  | 1,83 |
|   | -9                                     | 6,6                                    | 1,02 | 7,9     | 1,18 | 9,2     | 1,36 | 9,7   | 1,42 | 10,5    | 1,5  | 11,5    | 1,71 | 12,8  | 1,84 |
|   | -7                                     | 6,6                                    | 1,03 | 7,9     | 1,18 | 9,2     | 1,36 | 9,7   | 1,42 | 10,5    | 1,51 | 11,5    | 1,71 | 12,8  | 1,84 |
|   | -5                                     | 6,8                                    | 1,03 | 8,1     | 1,19 | 9,4     | 1,37 | 10    | 1,43 | 10,6    | 1,51 | 11,9    | 1,72 | 13,3  | 1,85 |
|   | -2                                     | 6,8                                    | 1,04 | 8,1     | 1,21 | 9,4     | 1,38 | 10    | 1,45 | 10,6    | 1,54 | 11,9    | 1,74 | 13,3  | 1,87 |
|   | 0                                      | 6,8                                    | 1,05 | 8,1     | 1,23 | 9,4     | 1,4  | 10    | 1,47 | 10,6    | 1,55 | 11,9    | 1,77 | 13,3  | 1,91 |
|   | 2                                      | 6,8                                    | 1,07 | 8,1     | 1,25 | 9,4     | 1,43 | 10    | 1,49 | 10,6    | 1,58 | 11,9    | 1,77 | 13,3  | 1,94 |
|   | 4                                      | 6,8                                    | 1,08 | 8,1     | 1,27 | 9,4     | 1,44 | 10    | 1,51 | 10,6    | 1,61 | 11,9    | 1,82 | 13,3  | 1,99 |
|   | 6                                      | 6,8                                    | 1,1  | 8,1     | 1,29 | 9,4     | 1,47 | 10    | 1,54 | 10,6    | 1,64 | 11,9    | 1,85 | 13,3  | 2,05 |
|   | 8                                      | 6,8                                    | 1,12 | 8,1     | 1,31 | 9,4     | 1,49 | 10    | 1,58 | 10,6    | 1,66 | 11,9    | 1,88 | 13,3  | 2,12 |
|   | 10                                     | 6,8                                    | 1,15 | 8,1     | 1,33 | 9,4     | 1,51 | 10    | 1,6  | 10,6    | 1,71 | 11,9    | 1,93 | 13,3  | 2,15 |
|   | 12                                     | 6,8                                    | 1,16 | 8,1     | 1,34 | 9,4     | 1,54 | 10    | 1,63 | 10,6    | 1,75 | 11,9    | 1,96 | 13,3  | 2,18 |
|   | 14                                     | 6,8                                    | 1,17 | 8,1     | 1,36 | 9,4     | 1,56 | 10    | 1,67 | 10,6    | 1,77 | 11,9    | 1,99 | 13,3  | 2,22 |
|   | 16                                     | 6,8                                    | 1,19 | 8,1     | 1,38 | 9,4     | 1,58 | 10    | 1,69 | 10,6    | 1,8  | 11,9    | 2,03 | 13,3  | 2,26 |
|   | 18                                     | 6,8                                    | 1,21 | 8,1     | 1,4  | 9,4     | 1,61 | 10    | 1,72 | 10,6    | 1,83 | 11,9    | 2,06 | 13,3  | 2,3  |
|   | 20                                     | 6,8                                    | 1,22 | 8,1     | 1,42 | 9,4     | 1,63 | 10    | 1,75 | 10,6    | 1,87 | 11,9    | 2,1  | 13,3  | 2,34 |
|   | 21                                     | 6,8                                    | 1,23 | 8,1     | 1,44 | 9,4     | 1,65 | 10    | 1,76 | 10,6    | 1,88 | 11,9    | 2,12 | 13,3  | 2,37 |
|   | 23                                     | 6,8                                    | 1,25 | 8,1     | 1,45 | 9,4     | 1,68 | 10    | 1,8  | 10,6    | 1,92 | 11,9    | 2,16 | 13,3  | 2,42 |
|   | 25                                     | 6,8                                    | 1,27 | 8,1     | 1,48 | 9,4     | 1,71 | 10    | 1,83 | 10,6    | 1,98 | 11,9    | 2,27 | 13,3  | 2,58 |
| 27                                      | 6,8                                    | 1,29                                   | 8,1  | 1,54    | 9,4  | 1,81    | 10   | 1,95  | 10,6 | 2,1     | 11,9 | 2,41    | 13,3 | 2,76  |      |
| 29                                      | 6,8                                    | 1,36                                   | 8,1  | 1,63    | 9,4  | 1,92    | 10   | 2,07  | 10,6 | 2,23    | 11,9 | 2,57    | 13,3 | 2,94  |      |
| 31                                      | 6,8                                    | 1,44                                   | 8,1  | 1,72    | 9,4  | 2,03    | 10   | 2,2   | 10,6 | 2,37    | 11,9 | 2,73    | 13,3 | 3,12  |      |
| 33                                      | 6,8                                    | 1,52                                   | 8,1  | 1,82    | 9,4  | 2,16    | 10   | 2,33  | 10,6 | 2,52    | 11,9 | 2,9     | 13,3 | 3,32  |      |
| 35                                      | 6,8                                    | 1,61                                   | 8,1  | 1,93    | 9,4  | 2,28    | 10   | 2,46  | 10,6 | 2,66    | 11,9 | 3,08    | 13,3 | 3,53  |      |
| 37                                      | 6,8                                    | 1,69                                   | 8,1  | 2,04    | 9,4  | 2,41    | 10   | 2,61  | 10,6 | 2,82    | 11,9 | 3,27    | 13,3 | 3,75  |      |
| 39                                      | 6,8                                    | 1,79                                   | 8,1  | 2,15    | 9,4  | 2,55    | 10   | 2,76  | 10,6 | 3       | 11,9 | 3,47    | 13,3 | 3,98  |      |
| 41                                      | 6,8                                    | 1,86                                   | 8,1  | 2,24    | 9,4  | 2,64    | 10   | 2,89  | 10,6 | 3,12    | 11,9 | 3,65    | 13,3 | 4,16  |      |
| 43                                      | 6,8                                    | 1,99                                   | 8,1  | 2,39    | 9,4  | 2,73    | 10   | 3,02  | 10,6 | 3,2     | 11,9 | 3,84    | 13,3 | 4,35  |      |
| 45                                      | 6,8                                    | 2,03                                   | 8,1  | 2,46    | 9,4  | 2,92    | 10   | 3,26  | 10,6 | 3,34    | 11,9 | 4,21    | 13,3 | 4,72  |      |

kWf = Cooling capacity [kW]

kWe = Compressor + Fan power input [kW]

DB=Dry bulb

WB=Wet bulb

**Notes:**

It is recommended to have system with Indoor/Outdoor Capacity Ratio less than 130%

Avoid running the unit in cooling mode when outdoor air temperature is above 43°C DB

The above capacity tables show the average values in operating conditions

# Performance in Cooling

## MSAN-XMi 224T

| Indoor/<br>Outdoor<br>Capacity<br>Ratio | Outdoor air<br>temperature<br>D.B.(°C) | Indoor air temperature D.B / W.B. (°C) |      |         |      |         |      |       |      |         |      |         |      |       |      |
|---|--|--|------|---------|------|---------|------|-------|------|---------|------|---------|------|-------|------|
|   |  | 20,8/14                                |      | 23,3/16 |      | 25,8/18 |      | 27/19 |      | 28,2/20 |      | 30,7/22 |      | 32/24 |      |
|   |  | kWf                                    | kWe  | kWf     | kWe  | kWf     | kWe  | kWf   | kWe  | kWf     | kWe  | kWf     | kWe  | kWf   | kWe  |
| 130%                                    | -15                                    | 18,7                                   | 2,72 | 22,1    | 3,33 | 25,8    | 3,57 | 26,8  | 3,74 | 28,2    | 3,86 | 28,7    | 4,18 | 29,4  | 4,19 |
|   | -13                                    | 18,7                                   | 2,74 | 22,1    | 3,33 | 25,8    | 3,6  | 26,8  | 3,75 | 28,2    | 3,86 | 28,7    | 4,19 | 29,4  | 4,22 |
|   | -11                                    | 18,7                                   | 2,74 | 22,1    | 3,35 | 25,8    | 3,6  | 26,8  | 3,77 | 28,2    | 3,87 | 28,7    | 4,2  | 29,4  | 4,22 |
|   | -9                                     | 19,3                                   | 2,76 | 23      | 3,38 | 26,6    | 3,61 | 27,5  | 3,78 | 29,2    | 3,88 | 29,5    | 4,22 | 30,1  | 4,26 |
|   | -7                                     | 19,3                                   | 2,78 | 23      | 3,38 | 26,6    | 3,61 | 27,5  | 3,79 | 29,2    | 3,88 | 29,5    | 4,22 | 30,1  | 4,26 |
|   | -5                                     | 19,7                                   | 2,78 | 23,4    | 3,4  | 27,2    | 3,64 | 28,2  | 3,79 | 29,6    | 3,9  | 30,3    | 4,24 | 31,1  | 4,27 |
|   | -2                                     | 19,7                                   | 2,78 | 23,4    | 3,46 | 27,2    | 3,64 | 28,2  | 3,81 | 29,6    | 3,9  | 30,3    | 4,29 | 31,1  | 4,31 |
|   | 0                                      | 19,7                                   | 2,83 | 23,4    | 3,52 | 27,2    | 3,78 | 28,2  | 4,02 | 29,6    | 4,12 | 30,3    | 4,34 | 31,1  | 4,37 |
|   | 2                                      | 19,7                                   | 2,88 | 23,4    | 3,53 | 27,2    | 3,9  | 28,2  | 4,25 | 29,6    | 4,17 | 30,3    | 4,38 | 31,1  | 4,43 |
|   | 4                                      | 19,7                                   | 2,95 | 23,4    | 3,6  | 27,2    | 4,04 | 28,2  | 4,27 | 29,6    | 4,23 | 30,3    | 4,44 | 31,1  | 4,51 |
|   | 6                                      | 19,7                                   | 3    | 23,4    | 3,67 | 27,2    | 4,19 | 28,2  | 4,3  | 29,3    | 4,36 | 29,9    | 4,51 | 30,7  | 4,55 |
|   | 8                                      | 19,7                                   | 3,08 | 23,4    | 3,76 | 27,2    | 4,4  | 28,2  | 4,51 | 28,9    | 4,5  | 29,6    | 4,53 | 30,3  | 4,59 |
|   | 10                                     | 19,7                                   | 3,14 | 23,4    | 3,84 | 27,2    | 4,56 | 28,2  | 4,66 | 28,6    | 4,58 | 29,3    | 4,6  | 30    | 4,72 |
|   | 12                                     | 19,7                                   | 3,19 | 23,4    | 3,91 | 27,2    | 4,65 | 27,8  | 4,73 | 28,2    | 4,65 | 28,9    | 4,67 | 29,6  | 4,75 |
|   | 14                                     | 19,7                                   | 3,26 | 23,4    | 3,98 | 27,1    | 4,72 | 27,5  | 4,8  | 27,8    | 4,72 | 28,6    | 4,73 | 29,3  | 4,86 |
|   | 16                                     | 19,7                                   | 3,31 | 23,4    | 4,07 | 26,8    | 4,79 | 27,1  | 4,86 | 27,4    | 4,86 | 28,2    | 4,8  | 28,9  | 4,94 |
|   | 18                                     | 19,7                                   | 3,38 | 23,4    | 4,15 | 26,4    | 4,86 | 26,7  | 4,89 | 27,1    | 4,92 | 27,8    | 4,97 | 28,6  | 5,01 |
|   | 20                                     | 19,7                                   | 3,45 | 23,4    | 4,41 | 26      | 5,1  | 26,4  | 5,13 | 26,7    | 5,16 | 27,4    | 5,2  | 28,2  | 5,26 |
|   | 21                                     | 19,7                                   | 3,54 | 23,4    | 4,57 | 25,8    | 5,22 | 26,2  | 5,25 | 26,6    | 5,28 | 27,3    | 5,33 | 28    | 5,38 |
|   | 23                                     | 19,7                                   | 3,8  | 23,4    | 4,9  | 25,5    | 5,46 | 25,8  | 5,49 | 26,2    | 5,52 | 26,9    | 5,57 | 27,6  | 5,63 |
|   | 25                                     | 19,7                                   | 4,06 | 23,4    | 5,25 | 25,1    | 5,7  | 25,4  | 5,73 | 25,8    | 5,76 | 26,6    | 5,82 | 27,3  | 5,87 |
|   | 27                                     | 19,7                                   | 4,33 | 23,4    | 5,62 | 24,8    | 5,94 | 25,1  | 5,97 | 25,4    | 6    | 26,2    | 6,07 | 26,9  | 6,13 |
|   | 29                                     | 19,7                                   | 4,63 | 23,4    | 6    | 24,4    | 6,18 | 24,7  | 6,21 | 25,1    | 6,25 | 25,8    | 6,32 | 26,6  | 6,38 |
|   | 31                                     | 19,7                                   | 4,94 | 23,4    | 6,35 | 24      | 6,43 | 24,4  | 6,46 | 24,7    | 6,49 | 25,4    | 6,56 | 26,2  | 6,64 |
|   | 33                                     | 19,7                                   | 5,26 | 23      | 6,59 | 23,7    | 6,66 | 24    | 6,7  | 24,4    | 6,74 | 25,1    | 6,81 | 25,8  | 6,88 |
| 35                                      | 19,7                                   | 5,61                                   | 22,6 | 6,83    | 23,3 | 6,91    | 23,7 | 6,95  | 24   | 6,99    | 24,7 | 7,07    | 25,4 | 7,14  |      |
| 37                                      | 19,7                                   | 5,97                                   | 22,2 | 7,08    | 23   | 7,16    | 23,3 | 7,2   | 23,7 | 7,24    | 24,3 | 7,32    | 25   | 7,41  |      |
| 39                                      | 19,7                                   | 6,35                                   | 21,8 | 7,15    | 22,6 | 7,4     | 23   | 7,44  | 23,3 | 7,49    | 24   | 7,57    | 24,7 | 7,66  |      |
| 41                                      | 19,7                                   | 6,68                                   | 21,6 | 7,22    | 22,3 | 7,47    | 22,7 | 7,51  | 23   | 7,56    | 23,8 | 7,59    | 23,8 | 7,73  |      |
| 43                                      | 19,7                                   | 6,85                                   | 21,5 | 7,25    | 22,2 | 7,49    | 22,6 | 7,55  | 22,8 | 7,57    | 23,3 | 7,6     | 23,5 | 7,75  |      |
| 45                                      | 19,7                                   | 7,2                                    | 21,3 | 7,32    | 22   | 7,56    | 22,4 | 7,6   | 22,5 | 7,6     | 22,7 | 7,63    | 23   | 7,9   |      |
| 120%                                    | -15                                    | 17,2                                   | 2,63 | 20,4    | 3,19 | 23,8    | 3,78 | 25,5  | 4,14 | 26,9    | 4,34 | 27,1    | 4,45 | 27,7  | 4,56 |
|   | -13                                    | 17,2                                   | 2,64 | 20,4    | 3,19 | 23,8    | 3,8  | 25,5  | 4,16 | 26,9    | 4,34 | 27,1    | 4,46 | 27,7  | 4,59 |
|   | -11                                    | 17,2                                   | 2,64 | 20,4    | 3,21 | 23,8    | 3,8  | 25,5  | 4,17 | 26,9    | 4,35 | 27,1    | 4,47 | 27,7  | 4,59 |
|   | -9                                     | 17,8                                   | 2,66 | 21,2    | 3,23 | 24,6    | 3,82 | 26,1  | 4,18 | 27,7    | 4,36 | 27,9    | 4,5  | 28,4  | 4,61 |
|   | -7                                     | 17,8                                   | 2,69 | 21,2    | 3,23 | 24,6    | 3,82 | 26,1  | 4,18 | 27,7    | 4,37 | 27,9    | 4,5  | 28,4  | 4,62 |
|   | -5                                     | 18,2                                   | 2,69 | 21,6    | 3,26 | 25,1    | 3,85 | 26,9  | 4,2  | 28,2    | 4,38 | 28,8    | 4,52 | 29,4  | 4,64 |
|   | -2                                     | 18,2                                   | 2,72 | 21,6    | 3,29 | 25,1    | 3,89 | 26,9  | 4,22 | 28,2    | 4,43 | 28,8    | 4,56 | 29,4  | 4,65 |
|   | 0                                      | 18,2                                   | 2,74 | 21,6    | 3,31 | 25,1    | 3,93 | 26,9  | 4,23 | 28,2    | 4,47 | 28,8    | 4,58 | 29,4  | 4,66 |
|   | 2                                      | 18,2                                   | 2,75 | 21,6    | 3,35 | 25,1    | 3,96 | 26,9  | 4,28 | 28,2    | 4,49 | 28,8    | 4,62 | 29,4  | 4,67 |
|   | 4                                      | 18,2                                   | 2,77 | 21,6    | 3,39 | 25,1    | 4,02 | 26,9  | 4,31 | 28,2    | 4,55 | 28,8    | 4,63 | 29,4  | 4,69 |
|   | 6                                      | 18,2                                   | 2,8  | 21,6    | 3,42 | 25,1    | 4,07 | 26,9  | 4,36 | 28,2    | 4,6  | 28,8    | 4,66 | 29,4  | 4,7  |
|   | 8                                      | 18,2                                   | 2,83 | 21,6    | 3,45 | 25,1    | 4,12 | 26,9  | 4,42 | 28,2    | 4,64 | 28,8    | 4,68 | 29,4  | 4,72 |
|   | 10                                     | 18,2                                   | 2,86 | 21,6    | 3,5  | 25,1    | 4,16 | 26,9  | 4,5  | 28,2    | 4,65 | 28,8    | 4,69 | 29,4  | 4,74 |
|   | 12                                     | 18,2                                   | 2,92 | 21,6    | 3,56 | 25,1    | 4,24 | 26,9  | 4,58 | 27,8    | 4,66 | 28,4    | 4,67 | 29    | 4,77 |
|   | 14                                     | 18,2                                   | 2,97 | 21,6    | 3,63 | 25,1    | 4,32 | 26,9  | 4,67 | 27,4    | 4,69 | 28,1    | 4,74 | 28,7  | 4,83 |
|   | 16                                     | 18,2                                   | 3,03 | 21,6    | 3,71 | 25,1    | 4,41 | 26,7  | 4,1  | 27      | 4,76 | 27,7    | 4,82 | 28,3  | 4,9  |
|   | 18                                     | 18,2                                   | 3,08 | 21,6    | 3,78 | 25,1    | 4,55 | 26,3  | 4,86 | 26,6    | 4,88 | 27,3    | 4,93 | 28    | 4,97 |
|   | 20                                     | 18,2                                   | 3,15 | 21,6    | 3,93 | 25,1    | 4,9  | 26    | 5,1  | 26,3    | 5,12 | 27      | 5,17 | 27,6  | 5,21 |
|   | 21                                     | 18,2                                   | 3,18 | 21,6    | 4,07 | 25,1    | 5,08 | 25,8  | 5,22 | 26,1    | 5,24 | 26,8    | 5,29 | 27,4  | 5,34 |
|   | 23                                     | 18,2                                   | 3,4  | 21,6    | 4,36 | 25,1    | 5,43 | 25,4  | 5,45 | 25,8    | 5,48 | 26,4    | 5,53 | 27    | 5,58 |
|   | 25                                     | 18,2                                   | 3,63 | 21,6    | 4,66 | 24,7    | 5,67 | 25    | 5,69 | 25,4    | 5,72 | 26,1    | 5,77 | 26,7  | 5,83 |
|   | 27                                     | 18,2                                   | 3,87 | 21,6    | 4,98 | 24,4    | 5,9  | 24,7  | 5,94 | 25      | 5,97 | 25,7    | 6,02 | 26,3  | 6,08 |
|   | 29                                     | 18,2                                   | 4,13 | 21,6    | 5,32 | 24      | 6,14 | 24,3  | 6,18 | 24,6    | 6,2  | 25,3    | 6,27 | 26    | 6,32 |
|   | 31                                     | 18,2                                   | 4,41 | 21,6    | 5,68 | 23,6    | 6,39 | 24    | 6,42 | 24,3    | 6,45 | 25      | 6,52 | 25,6  | 6,58 |
|   | 33                                     | 18,2                                   | 4,69 | 21,6    | 6,06 | 23,3    | 6,63 | 23,6  | 6,66 | 23,9    | 6,69 | 24,6    | 6,76 | 25,2  | 6,83 |
| 35                                      | 18,2                                   | 4,99                                   | 21,6 | 6,46    | 22,9 | 6,86    | 23,2 | 6,9   | 23,6 | 6,94    | 24,2 | 7,01    | 24,9 | 7,09  |      |
| 37                                      | 18,2                                   | 5,31                                   | 21,6 | 6,88    | 22,6 | 7,11    | 22,9 | 7,15  | 23,2 | 7,19    | 23,8 | 7,26    | 24,5 | 7,34  |      |
| 39                                      | 18,2                                   | 5,65                                   | 21,5 | 7,27    | 22,2 | 7,35    | 22,5 | 7,4   | 22,8 | 7,43    | 23,5 | 7,52    | 24,2 | 7,59  |      |
| 41                                      | 18,2                                   | 5,81                                   | 21,3 | 7,32    | 22   | 7,4     | 22,3 | 7,45  | 22,6 | 7,49    | 23,3 | 7,54    | 23,5 | 7,65  |      |
| 43                                      | 18,2                                   | 5,89                                   | 21,2 | 7,37    | 21,8 | 7,45    | 22,1 | 7,48  | 22,5 | 7,51    | 22,9 | 7,56    | 23,1 | 7,8   |      |
| 45                                      | 18,2                                   | 5,96                                   | 21,1 | 7,44    | 21,6 | 7,52    | 21,9 | 7,55  | 22,3 | 7,57    | 22,5 | 7,58    | 22,9 | 7,97  |      |

kWf = Cooling capacity [kW]

kWe = Compressor + Fan power input [kW]

DB=Dry bulb

WB=Wet bulb



# Performance in Cooling

## MSAN-XMi 224T

| Indoor/<br>Outdoor<br>Capacity<br>Ratio | Outdoor air<br>temperature<br>D.B.(°C) | Indoor air temperature D.B / W.B. (°C) |      |         |      |         |      |       |      |         |      |         |      |       |      |
|---|--|--|------|---------|------|---------|------|-------|------|---------|------|---------|------|-------|------|
|   |  | 20,8/14                                |      | 23,3/16 |      | 25,8/18 |      | 27/19 |      | 28,2/20 |      | 30,7/22 |      | 32/24 |      |
|   |  | kWf                                    | kWe  | kWf     | kWe  | kWf     | kWe  | kWf   | kWe  | kWf     | kWe  | kWf     | kWe  | kWf   | kWe  |
| 110%                                    | -15                                    | 15,7                                   | 2,3  | 18,8    | 2,86 | 21,8    | 3,42 | 23,4  | 3,69 | 25      | 3,99 | 26,6    | 4,12 | 27,2  | 4,24 |
|   | -13                                    | 15,7                                   | 2,31 | 18,8    | 2,86 | 21,8    | 3,44 | 23,4  | 3,7  | 25      | 3,99 | 26,6    | 4,13 | 27,2  | 4,27 |
|   | -11                                    | 15,7                                   | 2,31 | 18,8    | 2,88 | 21,8    | 3,44 | 23,4  | 3,72 | 25      | 4    | 26,6    | 4,14 | 27,2  | 4,27 |
|   | -9                                     | 16,3                                   | 2,33 | 19,4    | 2,9  | 22,6    | 3,46 | 23,9  | 3,73 | 25,8    | 4,01 | 27,3    | 4,17 | 27,9  | 4,29 |
|   | -7                                     | 16,3                                   | 2,34 | 19,4    | 2,9  | 22,6    | 3,46 | 23,9  | 3,73 | 25,8    | 4,02 | 27,3    | 4,17 | 27,9  | 4,3  |
|   | -5                                     | 16,6                                   | 2,35 | 19,8    | 2,92 | 23      | 3,49 | 24,6  | 3,74 | 26,2    | 4,03 | 28,2    | 4,18 | 28,9  | 4,31 |
|   | -2                                     | 16,6                                   | 2,39 | 19,8    | 2,96 | 23      | 3,52 | 24,6  | 3,78 | 26,2    | 4,06 | 28,2    | 4,22 | 28,9  | 4,34 |
|   | 0                                      | 16,6                                   | 2,42 | 19,8    | 2,98 | 23      | 3,54 | 24,6  | 3,81 | 26,2    | 4,1  | 28,2    | 4,27 | 28,9  | 4,39 |
|   | 2                                      | 16,6                                   | 2,47 | 19,8    | 3,01 | 23      | 3,6  | 24,6  | 3,85 | 26,2    | 4,15 | 28,2    | 4,33 | 28,9  | 4,44 |
|   | 4                                      | 16,6                                   | 2,52 | 19,8    | 3,04 | 23      | 3,63 | 24,6  | 3,89 | 26,2    | 4,21 | 28,2    | 4,39 | 28,9  | 4,48 |
|   | 6                                      | 16,6                                   | 2,54 | 19,8    | 3,08 | 23      | 3,67 | 24,6  | 3,96 | 26,2    | 4,26 | 28,2    | 4,43 | 28,9  | 4,55 |
|   | 8                                      | 16,6                                   | 2,57 | 19,8    | 3,12 | 23      | 3,71 | 24,6  | 4    | 26,2    | 4,31 | 28,2    | 4,46 | 28,9  | 4,6  |
|   | 10                                     | 16,6                                   | 2,6  | 19,8    | 3,17 | 23      | 3,76 | 24,6  | 4,07 | 26,2    | 4,38 | 28,2    | 4,5  | 28,9  | 4,64 |
|   | 12                                     | 16,6                                   | 2,65 | 19,8    | 3,23 | 23      | 3,84 | 24,6  | 4,15 | 26,2    | 4,46 | 27,9    | 4,56 | 28,5  | 4,7  |
|   | 14                                     | 16,6                                   | 2,7  | 19,8    | 3,29 | 23      | 3,91 | 24,6  | 4,22 | 26,2    | 4,54 | 27,5    | 4,6  | 28,2  | 4,73 |
|   | 16                                     | 16,6                                   | 2,74 | 19,8    | 3,35 | 23      | 3,98 | 24,6  | 4,3  | 26,2    | 4,63 | 27,2    | 4,65 | 27,8  | 4,79 |
|   | 18                                     | 16,6                                   | 2,8  | 19,8    | 3,41 | 23      | 4,07 | 24,6  | 4,42 | 26,2    | 4,86 | 26,8    | 4,89 | 27,4  | 4,94 |
|   | 20                                     | 16,6                                   | 2,85 | 19,8    | 3,49 | 23      | 4,3  | 24,6  | 4,75 | 25,8    | 5,09 | 26,5    | 5,13 | 27    | 5,18 |
|   | 21                                     | 16,6                                   | 2,88 | 19,8    | 3,59 | 23      | 4,46 | 24,6  | 4,93 | 25,7    | 5,21 | 26,2    | 5,25 | 26,9  | 5,3  |
|   | 23                                     | 16,6                                   | 3,02 | 19,8    | 3,85 | 23      | 4,78 | 24,6  | 5,29 | 25,3    | 5,44 | 25,9    | 5,5  | 26,5  | 5,54 |
|   | 25                                     | 16,6                                   | 3,22 | 19,8    | 4,11 | 23      | 5,11 | 24,6  | 5,66 | 25      | 5,68 | 25,5    | 5,74 | 26,2  | 5,78 |
| 27                                      | 16,6                                   | 3,43                                   | 19,8 | 4,4     | 23   | 5,47    | 24,2 | 5,9   | 24,6 | 5,92    | 25,2 | 5,98    | 25,8 | 6,03  |      |
| 29                                      | 16,6                                   | 3,66                                   | 19,8 | 4,69    | 23   | 5,85    | 23,9 | 6,14  | 24,2 | 6,17    | 24,8 | 6,22    | 25,4 | 6,28  |      |
| 31                                      | 16,6                                   | 3,9                                    | 19,8 | 5       | 23   | 6,24    | 23,5 | 6,38  | 23,8 | 6,41    | 24,5 | 6,46    | 25   | 6,53  |      |
| 33                                      | 16,6                                   | 4,15                                   | 19,8 | 5,33    | 22,9 | 6,58    | 23,2 | 6,62  | 23,5 | 6,65    | 24,1 | 6,71    | 24,7 | 6,77  |      |
| 35                                      | 16,6                                   | 4,41                                   | 19,8 | 5,68    | 22,5 | 6,82    | 22,8 | 6,86  | 23,1 | 6,89    | 23,7 | 6,96    | 24,3 | 7,02  |      |
| 37                                      | 16,6                                   | 4,7                                    | 19,8 | 6,05    | 22,2 | 7,07    | 22,5 | 7,09  | 22,7 | 7,13    | 23,4 | 7,21    | 23,9 | 7,27  |      |
| 39                                      | 16,6                                   | 4,99                                   | 19,8 | 6,44    | 21,8 | 7,31    | 22,1 | 7,34  | 22,4 | 7,38    | 23   | 7,45    | 23,6 | 7,53  |      |
| 41                                      | 16,6                                   | 5,04                                   | 19,8 | 6,49    | 21,6 | 7,36    | 21,9 | 7,39  | 22,2 | 7,43    | 22,7 | 7,5     | 22,9 | 7,58  |      |
| 43                                      | 16,6                                   | 5,1                                    | 19,8 | 6,58    | 21,4 | 7,41    | 21,7 | 7,45  | 22,1 | 7,48    | 22,5 | 7,53    | 22,5 | 7,73  |      |
| 45                                      | 16,6                                   | 5,26                                   | 19,8 | 6,61    | 21,2 | 7,48    | 21,5 | 7,54  | 21,9 | 7,55    | 22,2 | 7,74    | 22,3 | 7,91  |      |
| 100%                                    | -15                                    | 14,3                                   | 2,09 | 17      | 2,52 | 19,9    | 3,01 | 21,2  | 3,24 | 22,7    | 3,53 | 25,2    | 4    | 26,6  | 4,17 |
|   | -13                                    | 14,3                                   | 2,1  | 17      | 2,52 | 19,9    | 3,02 | 21,2  | 3,25 | 22,7    | 3,53 | 25,2    | 4,01 | 26,6  | 4,19 |
|   | -11                                    | 14,3                                   | 2,1  | 17      | 2,54 | 19,9    | 3,02 | 21,2  | 3,26 | 22,7    | 3,54 | 25,2    | 4,02 | 26,6  | 4,19 |
|   | -9                                     | 14,8                                   | 2,12 | 17,6    | 2,55 | 20,5    | 3,04 | 21,8  | 3,27 | 23,5    | 3,55 | 25,9    | 4,04 | 27,3  | 4,21 |
|   | -7                                     | 14,8                                   | 2,14 | 17,6    | 2,55 | 20,5    | 3,04 | 21,8  | 3,27 | 23,5    | 3,55 | 25,9    | 4,04 | 27,3  | 4,22 |
|   | -5                                     | 15,1                                   | 2,14 | 18      | 2,57 | 21      | 3,06 | 22,4  | 3,28 | 23,8    | 3,56 | 26,8    | 4,06 | 28,3  | 4,24 |
|   | -2                                     | 15,1                                   | 2,16 | 18      | 2,61 | 21      | 3,1  | 22,4  | 3,34 | 23,8    | 3,61 | 26,8    | 4,11 | 28,3  | 4,26 |
|   | 0                                      | 15,1                                   | 2,19 | 18      | 2,64 | 21      | 3,13 | 22,4  | 3,38 | 23,8    | 3,64 | 26,8    | 4,17 | 28,3  | 4,31 |
|   | 2                                      | 15,1                                   | 2,23 | 18      | 2,67 | 21      | 3,17 | 22,4  | 3,43 | 23,8    | 3,68 | 26,8    | 4,24 | 28,3  | 4,38 |
|   | 4                                      | 15,1                                   | 2,25 | 18      | 2,7  | 21      | 3,21 | 22,4  | 3,48 | 23,8    | 3,73 | 26,8    | 4,28 | 28,3  | 4,43 |
|   | 6                                      | 15,1                                   | 2,28 | 18      | 2,75 | 21      | 3,26 | 22,4  | 3,54 | 23,8    | 3,79 | 26,8    | 4,34 | 28,3  | 4,49 |
|   | 8                                      | 15,1                                   | 2,32 | 18      | 2,79 | 21      | 3,32 | 22,4  | 3,58 | 23,8    | 3,85 | 26,8    | 4,41 | 28,3  | 4,57 |
|   | 10                                     | 15,1                                   | 2,35 | 18      | 2,85 | 21      | 3,37 | 22,4  | 3,64 | 23,8    | 3,92 | 26,8    | 4,48 | 28,3  | 4,63 |
|   | 12                                     | 15,1                                   | 2,39 | 18      | 2,9  | 21      | 3,43 | 22,4  | 3,71 | 23,8    | 3,99 | 26,8    | 4,56 | 27,9  | 4,67 |
|   | 14                                     | 15,1                                   | 2,43 | 18      | 2,96 | 21      | 3,5  | 22,4  | 3,78 | 23,8    | 4,07 | 26,8    | 4,65 | 27,6  | 4,73 |
|   | 16                                     | 15,1                                   | 2,48 | 18      | 3,01 | 21      | 3,57 | 22,4  | 3,85 | 23,8    | 4,15 | 26,6    | 4,71 | 27,2  | 4,78 |
|   | 18                                     | 15,1                                   | 2,52 | 18      | 3,07 | 21      | 3,63 | 22,4  | 3,93 | 23,8    | 4,23 | 26,3    | 4,86 | 26,9  | 4,9  |
|   | 20                                     | 15,1                                   | 2,57 | 18      | 3,13 | 21      | 3,74 | 22,4  | 4,13 | 23,8    | 4,53 | 25,9    | 5,09 | 26,5  | 5,14 |
|   | 21                                     | 15,1                                   | 2,6  | 18      | 3,16 | 21      | 3,88 | 22,4  | 4,28 | 23,8    | 4,69 | 25,8    | 5,21 | 26,3  | 5,26 |
|   | 23                                     | 15,1                                   | 2,66 | 18      | 3,37 | 21      | 4,16 | 22,4  | 4,58 | 23,8    | 5,03 | 25,4    | 5,45 | 25,9  | 5,5  |
|   | 25                                     | 15,1                                   | 2,84 | 18      | 3,6  | 21      | 4,45 | 22,4  | 4,91 | 23,8    | 5,39 | 25      | 5,69 | 25,6  | 5,74 |
| 27                                      | 15,1                                   | 3,03                                   | 18   | 3,84    | 21   | 4,75    | 22,4 | 5,25  | 23,8 | 5,76    | 24,6 | 5,93    | 25,2 | 5,98  |      |
| 29                                      | 15,1                                   | 3,22                                   | 18   | 4,09    | 21   | 5,08    | 22,4 | 5,61  | 23,8 | 6,12    | 24,3 | 6,18    | 24,9 | 6,22  |      |
| 31                                      | 15,1                                   | 3,43                                   | 18   | 4,37    | 21   | 5,41    | 22,4 | 5,98  | 23,4 | 6,36    | 23,9 | 6,42    | 24,5 | 6,47  |      |
| 33                                      | 15,1                                   | 3,64                                   | 18   | 4,65    | 21   | 5,77    | 22,4 | 6,39  | 23   | 6,6     | 23,6 | 6,65    | 24,2 | 6,72  |      |
| 35                                      | 15,1                                   | 3,87                                   | 18   | 4,95    | 21   | 6,16    | 22,4 | 6,81  | 22,6 | 6,84    | 23,2 | 6,9     | 23,8 | 6,96  |      |
| 37                                      | 15,1                                   | 4,12                                   | 18   | 5,27    | 21   | 6,56    | 22   | 7,05  | 22,3 | 7,09    | 22,9 | 7,15    | 23,4 | 7,2   |      |
| 39                                      | 15,1                                   | 4,38                                   | 18   | 5,6     | 21   | 6,98    | 21,7 | 7,29  | 21,9 | 7,32    | 22,5 | 7,39    | 23   | 7,46  |      |
| 41                                      | 15,1                                   | 4,58                                   | 18   | 5,8     | 21   | 7,24    | 21,3 | 7,34  | 21,8 | 7,44    | 22,1 | 7,56    | 22,7 | 7,61  |      |
| 43                                      | 15,1                                   | 4,79                                   | 18   | 6,01    | 21   | 7,37    | 21   | 7,42  | 21,6 | 7,51    | 22,2 | 7,61    | 22,3 | 7,7   |      |
| 45                                      | 15,1                                   | 5,06                                   | 18   | 6,28    | 21   | 7,5     | 20,6 | 7,53  | 21,5 | 7,64    | 22   | 7,73    | 21,9 | 7,8   |      |

kWf = Cooling capacity [kW]  
kWe = Compressor + Fan power input [kW]  
DB=Dry bulb  
WB=Wet bulb

# Performance in Cooling

## MSAN-XMi 224T

| Indoor/<br>Outdoor<br>Capacity<br>Ratio | Outdoor air<br>temperature<br>D.B.(°C) | Indoor air temperature D.B / W.B. (°C) |      |         |      |         |      |       |      |         |      |         |      |       |      |
|---|--|--|------|---------|------|---------|------|-------|------|---------|------|---------|------|-------|------|
|   |  | 20,8/14                                |      | 23,3/16 |      | 25,8/18 |      | 27/19 |      | 28,2/20 |      | 30,7/22 |      | 32/24 |      |
|   |  | kWf                                    | kWe  | kWf     | kWe  | kWf     | kWe  | kWf   | kWe  | kWf     | kWe  | kWf     | kWe  | kWf   | kWe  |
| 90%                                     | -15                                    | 12,8                                   | 1,85 | 15,4    | 2,22 | 17,9    | 2,63 | 19,1  | 2,88 | 20,4    | 3,08 | 22,7    | 3,52 | 25,1  | 4,03 |
|   | -13                                    | 12,8                                   | 1,86 | 15,4    | 2,22 | 17,9    | 2,64 | 19,1  | 2,89 | 20,4    | 3,08 | 22,7    | 3,53 | 25,1  | 4,05 |
|   | -11                                    | 12,8                                   | 1,86 | 15,4    | 2,24 | 17,9    | 2,64 | 19,1  | 2,9  | 20,4    | 3,09 | 22,7    | 3,54 | 25,1  | 4,05 |
|   | -9                                     | 13,3                                   | 1,87 | 15,9    | 2,25 | 18,5    | 2,66 | 19,6  | 2,91 | 21,1    | 3,1  | 23,3    | 3,56 | 25,8  | 4,07 |
|   | -7                                     | 13,3                                   | 1,89 | 15,9    | 2,25 | 18,5    | 2,66 | 19,6  | 2,91 | 21,1    | 3,1  | 23,3    | 3,56 | 25,8  | 4,08 |
|   | -5                                     | 13,6                                   | 1,89 | 16,2    | 2,27 | 18,9    | 2,68 | 20,2  | 2,92 | 21,4    | 3,11 | 24,1    | 3,57 | 26,7  | 4,09 |
|   | -2                                     | 13,6                                   | 1,91 | 16,2    | 2,29 | 18,9    | 2,71 | 20,2  | 2,96 | 21,4    | 3,14 | 24,1    | 3,61 | 26,7  | 4,13 |
|   | 0                                      | 13,6                                   | 1,94 | 16,2    | 2,32 | 18,9    | 2,75 | 20,2  | 3    | 21,4    | 3,19 | 24,1    | 3,65 | 26,7  | 4,16 |
|   | 2                                      | 13,6                                   | 1,97 | 16,2    | 2,35 | 18,9    | 2,78 | 20,2  | 3,04 | 21,4    | 3,24 | 24,1    | 3,72 | 26,7  | 4,22 |
|   | 4                                      | 13,6                                   | 2    | 16,2    | 2,39 | 18,9    | 2,83 | 20,2  | 3,08 | 21,4    | 3,28 | 24,1    | 3,78 | 26,7  | 4,29 |
|   | 6                                      | 13,6                                   | 2,02 | 16,2    | 2,43 | 18,9    | 2,88 | 20,2  | 3,14 | 21,4    | 3,33 | 24,1    | 3,84 | 26,7  | 4,36 |
|   | 8                                      | 13,6                                   | 2,06 | 16,2    | 2,48 | 18,9    | 2,94 | 20,2  | 3,18 | 21,4    | 3,39 | 24,1    | 3,91 | 26,7  | 4,4  |
|   | 10                                     | 13,6                                   | 2,1  | 16,2    | 2,53 | 18,9    | 2,99 | 20,2  | 3,23 | 21,4    | 3,47 | 24,1    | 3,96 | 26,7  | 4,47 |
|   | 12                                     | 13,6                                   | 2,14 | 16,2    | 2,58 | 18,9    | 3,05 | 20,2  | 3,28 | 21,4    | 3,53 | 24,1    | 4,04 | 26,7  | 4,55 |
|   | 14                                     | 13,6                                   | 2,17 | 16,2    | 2,62 | 18,9    | 3,1  | 20,2  | 3,35 | 21,4    | 3,6  | 24,1    | 4,11 | 26,7  | 4,63 |
|   | 16                                     | 13,6                                   | 2,21 | 16,2    | 2,67 | 18,9    | 3,17 | 20,2  | 3,41 | 21,4    | 3,67 | 24,1    | 4,19 | 26,6  | 4,72 |
|   | 18                                     | 13,6                                   | 2,25 | 16,2    | 2,73 | 18,9    | 3,22 | 20,2  | 3,48 | 21,4    | 3,74 | 24,1    | 4,28 | 26,3  | 4,86 |
|   | 20                                     | 13,6                                   | 2,29 | 16,2    | 2,79 | 18,9    | 3,29 | 20,2  | 3,55 | 21,4    | 3,88 | 24,1    | 4,6  | 25,9  | 5,09 |
|   | 21                                     | 13,6                                   | 2,31 | 16,2    | 2,81 | 18,9    | 3,34 | 20,2  | 3,67 | 21,4    | 4,02 | 24,1    | 4,76 | 25,8  | 5,21 |
|   | 23                                     | 13,6                                   | 2,36 | 16,2    | 2,92 | 18,9    | 3,58 | 20,2  | 3,94 | 21,4    | 4,31 | 24,1    | 5,11 | 25,4  | 5,45 |
|   | 25                                     | 13,6                                   | 2,49 | 16,2    | 3,12 | 18,9    | 3,83 | 20,2  | 4,21 | 21,4    | 4,61 | 24,1    | 5,47 | 25    | 5,69 |
| 27                                      | 13,6                                   | 2,64                                   | 16,2 | 3,32    | 18,9 | 4,08    | 20,2 | 4,5   | 21,4 | 4,93    | 24,1 | 5,86    | 24,6 | 5,93  |      |
| 29                                      | 13,6                                   | 2,82                                   | 16,2 | 3,54    | 18,9 | 4,36    | 20,2 | 4,8   | 21,4 | 5,27    | 23,8 | 6,12    | 24,3 | 6,17  |      |
| 31                                      | 13,6                                   | 2,99                                   | 16,2 | 3,77    | 18,9 | 4,64    | 20,2 | 5,12  | 21,4 | 5,62    | 23,4 | 6,36    | 23,9 | 6,41  |      |
| 33                                      | 13,6                                   | 3,18                                   | 16,2 | 4,01    | 18,9 | 4,96    | 20,2 | 5,46  | 21,4 | 5,99    | 23,1 | 6,61    | 23,6 | 6,65  |      |
| 35                                      | 13,6                                   | 3,38                                   | 16,2 | 4,27    | 18,9 | 5,28    | 20,2 | 5,82  | 21,4 | 6,39    | 22,7 | 6,85    | 23,2 | 6,9   |      |
| 37                                      | 13,6                                   | 3,58                                   | 16,2 | 4,53    | 18,9 | 5,62    | 20,2 | 6,19  | 21,4 | 6,81    | 22,3 | 7,09    | 22,9 | 7,14  |      |
| 39                                      | 13,6                                   | 3,8                                    | 16,2 | 4,83    | 18,9 | 5,97    | 20,2 | 6,6   | 21,4 | 7,25    | 22   | 7,33    | 22,5 | 7,39  |      |
| 41                                      | 13,6                                   | 3,93                                   | 16,2 | 5,05    | 18,9 | 6,19    | 20,2 | 6,77  | 21,4 | 7,29    | 21,8 | 7,52    | 22,3 | 7,56  |      |
| 43                                      | 13,6                                   | 4,12                                   | 16,2 | 5,26    | 18,9 | 6,41    | 20,2 | 6,95  | 21,4 | 7,45    | 21,7 | 7,62    | 22,1 | 7,68  |      |
| 45                                      | 13,6                                   | 4,38                                   | 16,2 | 5,53    | 18,9 | 6,67    | 20,2 | 7,18  | 21,4 | 7,66    | 21,6 | 7,7     | 21,8 | 7,78  |      |
| 80%                                     | -15                                    | 11,4                                   | 1,63 | 13,6    | 1,93 | 15,8    | 2,29 | 17    | 2,45 | 18,2    | 2,65 | 20,2    | 3,04 | 22,3  | 3,47 |
|   | -13                                    | 11,4                                   | 1,64 | 13,6    | 1,93 | 15,8    | 2,3  | 17    | 2,45 | 18,2    | 2,65 | 20,2    | 3,05 | 22,3  | 3,49 |
|   | -11                                    | 11,4                                   | 1,64 | 13,6    | 1,94 | 15,8    | 2,3  | 17    | 2,46 | 18,2    | 2,65 | 20,2    | 3,06 | 22,3  | 3,49 |
|   | -9                                     | 11,8                                   | 1,65 | 14,1    | 1,96 | 16,4    | 2,32 | 17,4  | 2,47 | 18,8    | 2,66 | 20,8    | 3,07 | 22,9  | 3,5  |
|   | -7                                     | 11,8                                   | 1,66 | 14,1    | 1,96 | 16,4    | 2,32 | 17,4  | 2,47 | 18,8    | 2,67 | 20,8    | 3,07 | 22,9  | 3,51 |
|   | -5                                     | 12,1                                   | 1,67 | 14,4    | 1,97 | 16,7    | 2,33 | 17,9  | 2,48 | 19,1    | 2,67 | 21,4    | 3,09 | 23,8  | 3,52 |
|   | -2                                     | 12,1                                   | 1,69 | 14,4    | 1,99 | 16,7    | 2,35 | 17,9  | 2,52 | 19,1    | 2,7  | 21,4    | 3,12 | 23,8  | 3,56 |
|   | 0                                      | 12,1                                   | 1,72 | 14,4    | 2,02 | 16,7    | 2,38 | 17,9  | 2,55 | 19,1    | 2,74 | 21,4    | 3,16 | 23,8  | 3,61 |
|   | 2                                      | 12,1                                   | 1,75 | 14,4    | 2,05 | 16,7    | 2,42 | 17,9  | 2,6  | 19,1    | 2,79 | 21,4    | 3,22 | 23,8  | 3,68 |
|   | 4                                      | 12,1                                   | 1,78 | 14,4    | 2,08 | 16,7    | 2,46 | 17,9  | 2,66 | 19,1    | 2,84 | 21,4    | 3,28 | 23,8  | 3,72 |
|   | 6                                      | 12,1                                   | 1,81 | 14,4    | 2,13 | 16,7    | 2,5  | 17,9  | 2,72 | 19,1    | 2,9  | 21,4    | 3,33 | 23,8  | 3,79 |
|   | 8                                      | 12,1                                   | 1,85 | 14,4    | 2,18 | 16,7    | 2,56 | 17,9  | 2,76 | 19,1    | 2,96 | 21,4    | 3,38 | 23,8  | 3,86 |
|   | 10                                     | 12,1                                   | 1,86 | 14,4    | 2,23 | 16,7    | 2,63 | 17,9  | 2,83 | 19,1    | 3,03 | 21,4    | 3,46 | 23,8  | 3,9  |
|   | 12                                     | 12,1                                   | 1,89 | 14,4    | 2,27 | 16,7    | 2,67 | 17,9  | 2,88 | 19,1    | 3,09 | 21,4    | 3,52 | 23,8  | 3,97 |
|   | 14                                     | 12,1                                   | 1,93 | 14,4    | 2,31 | 16,7    | 2,72 | 17,9  | 2,93 | 19,1    | 3,15 | 21,4    | 3,59 | 23,8  | 4,05 |
|   | 16                                     | 12,1                                   | 1,96 | 14,4    | 2,35 | 16,7    | 2,77 | 17,9  | 2,98 | 19,1    | 3,2  | 21,4    | 3,66 | 23,8  | 4,12 |
|   | 18                                     | 12,1                                   | 1,99 | 14,4    | 2,4  | 16,7    | 2,83 | 17,9  | 3,05 | 19,1    | 3,27 | 21,4    | 3,74 | 23,8  | 4,2  |
|   | 20                                     | 12,1                                   | 2,03 | 14,4    | 2,44 | 16,7    | 2,88 | 17,9  | 3,1  | 19,1    | 3,33 | 21,4    | 3,87 | 23,8  | 4,5  |
|   | 21                                     | 12,1                                   | 2,05 | 14,4    | 2,46 | 16,7    | 2,91 | 17,9  | 3,14 | 19,1    | 3,41 | 21,4    | 4,01 | 23,8  | 4,66 |
|   | 23                                     | 12,1                                   | 2,08 | 14,4    | 2,51 | 16,7    | 3,05 | 17,9  | 3,34 | 19,1    | 3,64 | 21,4    | 4,3  | 23,8  | 5    |
|   | 25                                     | 12,1                                   | 2,15 | 14,4    | 2,67 | 16,7    | 3,26 | 17,9  | 3,57 | 19,1    | 3,89 | 21,4    | 4,6  | 23,8  | 5,35 |
| 27                                      | 12,1                                   | 2,29                                   | 14,4 | 2,85    | 16,7 | 3,47    | 17,9 | 3,81  | 19,1 | 4,16    | 21,4 | 4,91    | 23,8 | 5,73  |      |
| 29                                      | 12,1                                   | 2,43                                   | 14,4 | 3,03    | 16,7 | 3,7     | 17,9 | 4,06  | 19,1 | 4,44    | 21,4 | 5,24    | 23,8 | 6,12  |      |
| 31                                      | 12,1                                   | 2,58                                   | 14,4 | 3,22    | 16,7 | 3,94    | 17,9 | 4,32  | 19,1 | 4,74    | 21,4 | 5,6     | 23,4 | 6,36  |      |
| 33                                      | 12,1                                   | 2,74                                   | 14,4 | 3,42    | 16,7 | 4,19    | 17,9 | 4,61  | 19,1 | 5,04    | 21,4 | 5,97    | 23   | 6,6   |      |
| 35                                      | 12,1                                   | 2,91                                   | 14,4 | 3,64    | 16,7 | 4,46    | 17,9 | 4,9   | 19,1 | 5,37    | 21,4 | 6,36    | 22,6 | 6,84  |      |
| 37                                      | 12,1                                   | 3,08                                   | 14,4 | 3,86    | 16,7 | 4,75    | 17,9 | 5,22  | 19,1 | 5,72    | 21,4 | 6,78    | 22,3 | 7,08  |      |
| 39                                      | 12,1                                   | 3,27                                   | 14,4 | 4,12    | 16,7 | 5,05    | 17,9 | 5,55  | 19,1 | 6,09    | 21,4 | 7,22    | 21,9 | 7,32  |      |
| 41                                      | 12,1                                   | 3,34                                   | 14,4 | 4,16    | 16,7 | 5,12    | 17,9 | 5,7   | 19,1 | 6,2     | 21,4 | 7,41    | 21,8 | 7,45  |      |
| 43                                      | 12,1                                   | 3,44                                   | 14,4 | 4,19    | 16,7 | 5,2     | 17,9 | 5,8   | 19,1 | 6,28    | 21,4 | 7,49    | 21,7 | 7,53  |      |
| 45                                      | 12,1                                   | 3,54                                   | 14,4 | 4,24    | 16,7 | 5,3     | 17,9 | 5,92  | 19,1 | 6,39    | 21,4 | 7,58    | 21,4 | 7,66  |      |

kWf = Cooling capacity [kW]

kWe = Compressor + Fan power input [kW]

DB=Dry bulb

WB=Wet bulb

# Performance in Cooling

## MSAN-XMi 224T

| Indoor/<br>Outdoor<br>Capacity<br>Ratio | Outdoor air<br>temperature<br>D.B.(°C) | Indoor air temperature D.B / W.B. (°C) |      |         |      |         |      |       |      |         |      |         |      |       |      |
|---|--|--|------|---------|------|---------|------|-------|------|---------|------|---------|------|-------|------|
|   |  | 20,8/14                                |      | 23,3/16 |      | 25,8/18 |      | 27/19 |      | 28,2/20 |      | 30,7/22 |      | 32/24 |      |
|   |  | kWf                                    | kWe  | kWf     | kWe  | kWf     | kWe  | kWf   | kWe  | kWf     | kWe  | kWf     | kWe  | kWf   | kWe  |
| 70%                                     | -15                                    | 10                                     | 1,46 | 12      | 1,71 | 13,9    | 1,94 | 14,9  | 2,09 | 15,9    | 2,24 | 17,6    | 2,55 | 19,6  | 2,93 |
|   | -13                                    | 10                                     | 1,46 | 12      | 1,71 | 13,9    | 1,95 | 14,9  | 2,1  | 15,9    | 2,24 | 17,6    | 2,56 | 19,6  | 2,94 |
|   | -11                                    | 10                                     | 1,46 | 12      | 1,72 | 13,9    | 1,95 | 14,9  | 2,1  | 15,9    | 2,25 | 17,6    | 2,56 | 19,6  | 2,94 |
|   | -9                                     | 10,3                                   | 1,47 | 12,4    | 1,73 | 14,3    | 1,96 | 15,2  | 2,11 | 16,5    | 2,25 | 18,1    | 2,58 | 20,1  | 2,96 |
|   | -7                                     | 10,3                                   | 1,49 | 12,4    | 1,73 | 14,3    | 1,96 | 15,2  | 2,11 | 16,5    | 2,26 | 18,1    | 2,58 | 20,1  | 2,97 |
|   | -5                                     | 10,6                                   | 1,49 | 12,6    | 1,74 | 14,6    | 1,98 | 15,7  | 2,12 | 16,7    | 2,26 | 18,7    | 2,59 | 20,8  | 2,97 |
|   | -2                                     | 10,6                                   | 1,5  | 12,6    | 1,75 | 14,6    | 1,99 | 15,7  | 2,16 | 16,7    | 2,3  | 18,7    | 2,63 | 20,8  | 3,02 |
|   | 0                                      | 10,6                                   | 1,51 | 12,6    | 1,78 | 14,6    | 2,03 | 15,7  | 2,2  | 16,7    | 2,34 | 18,7    | 2,68 | 20,8  | 3,06 |
|   | 2                                      | 10,6                                   | 1,52 | 12,6    | 1,78 | 14,6    | 2,06 | 15,7  | 2,24 | 16,7    | 2,38 | 18,7    | 2,74 | 20,8  | 3,11 |
|   | 4                                      | 10,6                                   | 1,54 | 12,6    | 1,83 | 14,6    | 2,11 | 15,7  | 2,28 | 16,7    | 2,44 | 18,7    | 2,78 | 20,8  | 3,18 |
|   | 6                                      | 10,6                                   | 1,56 | 12,6    | 1,86 | 14,6    | 2,16 | 15,7  | 2,36 | 16,7    | 2,49 | 18,7    | 2,83 | 20,8  | 3,24 |
|   | 8                                      | 10,6                                   | 1,59 | 12,6    | 1,92 | 14,6    | 2,21 | 15,7  | 2,39 | 16,7    | 2,55 | 18,7    | 2,91 | 20,8  | 3,3  |
|   | 10                                     | 10,6                                   | 1,62 | 12,6    | 1,95 | 14,6    | 2,27 | 15,7  | 2,44 | 16,7    | 2,62 | 18,7    | 2,97 | 20,8  | 3,34 |
|   | 12                                     | 10,6                                   | 1,66 | 12,6    | 1,97 | 14,6    | 2,31 | 15,7  | 2,49 | 16,7    | 2,66 | 18,7    | 3,03 | 20,8  | 3,41 |
|   | 14                                     | 10,6                                   | 1,69 | 12,6    | 2,01 | 14,6    | 2,35 | 15,7  | 2,52 | 16,7    | 2,71 | 18,7    | 3,08 | 20,8  | 3,47 |
|   | 16                                     | 10,6                                   | 1,72 | 12,6    | 2,05 | 14,6    | 2,4  | 15,7  | 2,58 | 16,7    | 2,76 | 18,7    | 3,14 | 20,8  | 3,53 |
|   | 18                                     | 10,6                                   | 1,74 | 12,6    | 2,08 | 14,6    | 2,44 | 15,7  | 2,62 | 16,7    | 2,81 | 18,7    | 3,2  | 20,8  | 3,61 |
|   | 20                                     | 10,6                                   | 1,77 | 12,6    | 2,12 | 14,6    | 2,49 | 15,7  | 2,67 | 16,7    | 2,86 | 18,7    | 3,27 | 20,8  | 3,71 |
|   | 21                                     | 10,6                                   | 1,79 | 12,6    | 2,14 | 14,6    | 2,51 | 15,7  | 2,7  | 16,7    | 2,89 | 18,7    | 3,31 | 20,8  | 3,84 |
|   | 23                                     | 10,6                                   | 1,82 | 12,6    | 2,18 | 14,6    | 2,56 | 15,7  | 2,79 | 16,7    | 3,04 | 18,7    | 3,55 | 20,8  | 4,11 |
|   | 25                                     | 10,6                                   | 1,85 | 12,6    | 2,27 | 14,6    | 2,73 | 15,7  | 2,98 | 16,7    | 3,24 | 18,7    | 3,8  | 20,8  | 4,4  |
| 27                                      | 10,6                                   | 1,96                                   | 12,6 | 2,41    | 14,6 | 2,91    | 15,7 | 3,18  | 16,7 | 3,46    | 18,7 | 4,06    | 20,8 | 4,7   |      |
| 29                                      | 10,6                                   | 2,08                                   | 12,6 | 2,56    | 14,6 | 3,09    | 15,7 | 3,39  | 16,7 | 3,68    | 18,7 | 4,32    | 20,8 | 5,02  |      |
| 31                                      | 10,6                                   | 2,2                                    | 12,6 | 2,72    | 14,6 | 3,3     | 15,7 | 3,6   | 16,7 | 3,92    | 18,7 | 4,61    | 20,8 | 5,35  |      |
| 33                                      | 10,6                                   | 2,34                                   | 12,6 | 2,89    | 14,6 | 3,51    | 15,7 | 3,83  | 16,7 | 4,18    | 18,7 | 4,91    | 20,8 | 5,71  |      |
| 35                                      | 10,6                                   | 2,48                                   | 12,6 | 3,07    | 14,6 | 3,72    | 15,7 | 4,08  | 16,7 | 4,44    | 18,7 | 5,23    | 20,8 | 6,08  |      |
| 37                                      | 10,6                                   | 2,62                                   | 12,6 | 3,25    | 14,6 | 3,96    | 15,7 | 4,32  | 16,7 | 4,73    | 18,7 | 5,57    | 20,8 | 6,48  |      |
| 39                                      | 10,6                                   | 2,77                                   | 12,6 | 3,44    | 14,6 | 4,19    | 15,7 | 4,6   | 16,7 | 5,02    | 18,7 | 5,92    | 20,8 | 6,9   |      |
| 41                                      | 10,6                                   | 2,89                                   | 12,6 | 3,56    | 14,6 | 4,32    | 15,7 | 4,75  | 16,7 | 5,17    | 18,7 | 6,16    | 20,8 | 7,21  |      |
| 43                                      | 10,6                                   | 3,13                                   | 12,6 | 3,81    | 14,6 | 4,49    | 15,7 | 5,01  | 16,7 | 5,33    | 18,7 | 6,39    | 20,8 | 7,43  |      |
| 45                                      | 10,6                                   | 3,2                                    | 12,6 | 3,89    | 14,6 | 4,59    | 15,7 | 5,09  | 16,7 | 5,59    | 18,7 | 6,73    | 20,8 | 7,72  |      |
| 60%                                     | -15                                    | 8,5                                    | 1,24 | 10,2    | 1,44 | 11,9    | 1,68 | 12,7  | 1,8  | 13,7    | 1,96 | 15,1    | 2,18 | 16,8  | 2,5  |
|   | -13                                    | 8,5                                    | 1,25 | 10,2    | 1,44 | 11,9    | 1,69 | 12,7  | 1,81 | 13,7    | 1,96 | 15,1    | 2,19 | 16,8  | 2,51 |
|   | -11                                    | 8,5                                    | 1,25 | 10,2    | 1,45 | 11,9    | 1,69 | 12,7  | 1,81 | 13,7    | 1,96 | 15,1    | 2,19 | 16,8  | 2,51 |
|   | -9                                     | 8,8                                    | 1,26 | 10,6    | 1,46 | 12,3    | 1,7  | 13,1  | 1,82 | 14,1    | 1,97 | 15,6    | 2,21 | 17,2  | 2,53 |
|   | -7                                     | 8,8                                    | 1,27 | 10,6    | 1,46 | 12,3    | 1,7  | 13,1  | 1,82 | 14,1    | 1,97 | 15,6    | 2,21 | 17,2  | 2,53 |
|   | -5                                     | 9                                      | 1,27 | 10,8    | 1,47 | 12,6    | 1,72 | 13,4  | 1,83 | 14,3    | 1,97 | 16,1    | 2,22 | 17,8  | 2,54 |
|   | -2                                     | 9                                      | 1,28 | 10,8    | 1,49 | 12,6    | 1,75 | 13,4  | 1,85 | 14,3    | 1,99 | 16,1    | 2,25 | 17,8  | 2,56 |
|   | 0                                      | 9                                      | 1,3  | 10,8    | 1,51 | 12,6    | 1,77 | 13,4  | 1,88 | 14,3    | 2,03 | 16,1    | 2,28 | 17,8  | 2,59 |
|   | 2                                      | 9                                      | 1,32 | 10,8    | 1,55 | 12,6    | 1,8  | 13,4  | 1,91 | 14,3    | 2,05 | 16,1    | 2,33 | 17,8  | 2,62 |
|   | 4                                      | 9                                      | 1,36 | 10,8    | 1,58 | 12,6    | 1,84 | 13,4  | 1,94 | 14,3    | 2,08 | 16,1    | 2,37 | 17,8  | 2,66 |
|   | 6                                      | 9                                      | 1,37 | 10,8    | 1,61 | 12,6    | 1,87 | 13,4  | 1,98 | 14,3    | 2,13 | 16,1    | 2,41 | 17,8  | 2,72 |
|   | 8                                      | 9                                      | 1,4  | 10,8    | 1,63 | 12,6    | 1,91 | 13,4  | 2,02 | 14,3    | 2,17 | 16,1    | 2,46 | 17,8  | 2,77 |
|   | 10                                     | 9                                      | 1,42 | 10,8    | 1,67 | 12,6    | 1,94 | 13,4  | 2,07 | 14,3    | 2,21 | 16,1    | 2,51 | 17,8  | 2,81 |
|   | 12                                     | 9                                      | 1,45 | 10,8    | 1,7  | 12,6    | 1,97 | 13,4  | 2,11 | 14,3    | 2,25 | 16,1    | 2,55 | 17,8  | 2,85 |
|   | 14                                     | 9                                      | 1,47 | 10,8    | 1,73 | 12,6    | 2    | 13,4  | 2,15 | 14,3    | 2,29 | 16,1    | 2,6  | 17,8  | 2,91 |
|   | 16                                     | 9                                      | 1,49 | 10,8    | 1,75 | 12,6    | 2,04 | 13,4  | 2,18 | 14,3    | 2,33 | 16,1    | 2,64 | 17,8  | 2,96 |
|   | 18                                     | 9                                      | 1,51 | 10,8    | 1,78 | 12,6    | 2,07 | 13,4  | 2,22 | 14,3    | 2,38 | 16,1    | 2,69 | 17,8  | 3,02 |
|   | 20                                     | 9                                      | 1,53 | 10,8    | 1,82 | 12,6    | 2,11 | 13,4  | 2,27 | 14,3    | 2,42 | 16,1    | 2,74 | 17,8  | 3,08 |
|   | 21                                     | 9                                      | 1,55 | 10,8    | 1,83 | 12,6    | 2,13 | 13,4  | 2,28 | 14,3    | 2,44 | 16,1    | 2,77 | 17,8  | 3,11 |
|   | 23                                     | 9                                      | 1,57 | 10,8    | 1,86 | 12,6    | 2,17 | 13,4  | 2,33 | 14,3    | 2,49 | 16,1    | 2,88 | 17,8  | 3,31 |
|   | 25                                     | 9                                      | 1,6  | 10,8    | 1,89 | 12,6    | 2,25 | 13,4  | 2,44 | 14,3    | 2,64 | 16,1    | 3,07 | 17,8  | 3,53 |
| 27                                      | 9                                      | 1,66                                   | 10,8 | 2,01    | 12,6 | 2,4     | 13,4 | 2,61  | 14,3 | 2,82    | 16,1 | 3,28    | 17,8 | 3,77  |      |
| 29                                      | 9                                      | 1,75                                   | 10,8 | 2,13    | 12,6 | 2,55    | 13,4 | 2,77  | 14,3 | 3       | 16,1 | 3,5     | 17,8 | 4,03  |      |
| 31                                      | 9                                      | 1,86                                   | 10,8 | 2,26    | 12,6 | 2,71    | 13,4 | 2,95  | 14,3 | 3,19    | 16,1 | 3,72    | 17,8 | 4,29  |      |
| 33                                      | 9                                      | 1,96                                   | 10,8 | 2,4     | 12,6 | 2,87    | 13,4 | 3,13  | 14,3 | 3,4     | 16,1 | 3,96    | 17,8 | 4,57  |      |
| 35                                      | 9                                      | 2,08                                   | 10,8 | 2,54    | 12,6 | 3,05    | 13,4 | 3,32  | 14,3 | 3,61    | 16,1 | 4,21    | 17,8 | 4,86  |      |
| 37                                      | 9                                      | 2,2                                    | 10,8 | 2,69    | 12,6 | 3,23    | 13,4 | 3,52  | 14,3 | 3,83    | 16,1 | 4,48    | 17,8 | 5,18  |      |
| 39                                      | 9                                      | 2,32                                   | 10,8 | 2,84    | 12,6 | 3,42    | 13,4 | 3,73  | 14,3 | 4,07    | 16,1 | 4,75    | 17,8 | 5,51  |      |
| 41                                      | 9                                      | 2,4                                    | 10,8 | 2,97    | 12,6 | 3,55    | 13,4 | 3,88  | 14,3 | 4,21    | 16,1 | 4,98    | 17,8 | 5,76  |      |
| 43                                      | 9                                      | 2,47                                   | 10,8 | 3,09    | 12,6 | 3,67    | 13,4 | 4     | 14,3 | 4,36    | 16,1 | 5,19    | 17,8 | 6     |      |
| 45                                      | 9                                      | 2,59                                   | 10,8 | 3,25    | 12,6 | 3,82    | 13,4 | 4,15  | 14,3 | 4,58    | 16,1 | 5,42    | 17,8 | 6,34  |      |

kWf = Cooling capacity [kW]  
 kWe = Compressor + Fan power input [kW]  
 DB=Dry bulb  
 WB=Wet bulb

# Performance in Cooling

## MSAN-XMi 224T

| Indoor/<br>Outdoor<br>Capacity<br>Ratio | Outdoor air<br>temperature<br>D.B.(°C) | Indoor air temperature D.B / W.B. (°C) |      |         |      |         |      |       |      |         |      |         |      |       |      |
|---|--|--|------|---------|------|---------|------|-------|------|---------|------|---------|------|-------|------|
|   |  | 20,8/14                                |      | 23,3/16 |      | 25,8/18 |      | 27/19 |      | 28,2/20 |      | 30,7/22 |      | 32/24 |      |
|   |  | kWf                                    | kWe  | kWf     | kWe  | kWf     | kWe  | kWf   | kWe  | kWf     | kWe  | kWf     | kWe  | kWf   | kWe  |
| 50%                                     | -15                                    | 7,1                                    | 1,08 | 8,6     | 1,25 | 9,9     | 1,44 | 10,6  | 1,51 | 11,4    | 1,6  | 12,6    | 1,81 | 14    | 1,95 |
|   | -13                                    | 7,1                                    | 1,08 | 8,6     | 1,25 | 9,9     | 1,45 | 10,6  | 1,52 | 11,4    | 1,6  | 12,6    | 1,82 | 14    | 1,96 |
|   | -11                                    | 7,1                                    | 1,08 | 8,6     | 1,26 | 9,9     | 1,45 | 10,6  | 1,52 | 11,4    | 1,61 | 12,6    | 1,82 | 14    | 1,96 |
|   | -9                                     | 7,4                                    | 1,09 | 8,9     | 1,26 | 10,3    | 1,45 | 10,9  | 1,53 | 11,7    | 1,61 | 12,9    | 1,83 | 14,4  | 1,97 |
|   | -7                                     | 7,4                                    | 1,1  | 8,9     | 1,26 | 10,3    | 1,45 | 10,9  | 1,53 | 11,7    | 1,61 | 12,9    | 1,83 | 14,4  | 1,98 |
|   | -5                                     | 7,6                                    | 1,1  | 9       | 1,27 | 10,5    | 1,46 | 11,2  | 1,53 | 11,9    | 1,62 | 13,4    | 1,84 | 14,9  | 1,98 |
|   | -2                                     | 7,6                                    | 1,11 | 9       | 1,3  | 10,5    | 1,48 | 11,2  | 1,55 | 11,9    | 1,65 | 13,4    | 1,86 | 14,9  | 2,01 |
|   | 0                                      | 7,6                                    | 1,13 | 9       | 1,32 | 10,5    | 1,51 | 11,2  | 1,58 | 11,9    | 1,67 | 13,4    | 1,9  | 14,9  | 2,04 |
|   | 2                                      | 7,6                                    | 1,14 | 9       | 1,34 | 10,5    | 1,53 | 11,2  | 1,6  | 11,9    | 1,69 | 13,4    | 1,9  | 14,9  | 2,08 |
|   | 4                                      | 7,6                                    | 1,16 | 9       | 1,36 | 10,5    | 1,55 | 11,2  | 1,62 | 11,9    | 1,73 | 13,4    | 1,95 | 14,9  | 2,14 |
|   | 6                                      | 7,6                                    | 1,18 | 9       | 1,38 | 10,5    | 1,57 | 11,2  | 1,65 | 11,9    | 1,76 | 13,4    | 1,98 | 14,9  | 2,2  |
|   | 8                                      | 7,6                                    | 1,21 | 9       | 1,41 | 10,5    | 1,6  | 11,2  | 1,69 | 11,9    | 1,78 | 13,4    | 2,01 | 14,9  | 2,27 |
|   | 10                                     | 7,6                                    | 1,23 | 9       | 1,42 | 10,5    | 1,62 | 11,2  | 1,72 | 11,9    | 1,84 | 13,4    | 2,06 | 14,9  | 2,3  |
|   | 12                                     | 7,6                                    | 1,24 | 9       | 1,44 | 10,5    | 1,65 | 11,2  | 1,75 | 11,9    | 1,87 | 13,4    | 2,1  | 14,9  | 2,34 |
|   | 14                                     | 7,6                                    | 1,26 | 9       | 1,46 | 10,5    | 1,67 | 11,2  | 1,79 | 11,9    | 1,9  | 13,4    | 2,14 | 14,9  | 2,39 |
|   | 16                                     | 7,6                                    | 1,28 | 9       | 1,48 | 10,5    | 1,7  | 11,2  | 1,82 | 11,9    | 1,93 | 13,4    | 2,17 | 14,9  | 2,42 |
|   | 18                                     | 7,6                                    | 1,29 | 9       | 1,5  | 10,5    | 1,73 | 11,2  | 1,84 | 11,9    | 1,96 | 13,4    | 2,21 | 14,9  | 2,47 |
|   | 20                                     | 7,6                                    | 1,31 | 9       | 1,52 | 10,5    | 1,75 | 11,2  | 1,87 | 11,9    | 2    | 13,4    | 2,25 | 14,9  | 2,51 |
|   | 21                                     | 7,6                                    | 1,32 | 9       | 1,54 | 10,5    | 1,77 | 11,2  | 1,89 | 11,9    | 2,02 | 13,4    | 2,28 | 14,9  | 2,54 |
|   | 23                                     | 7,6                                    | 1,34 | 9       | 1,56 | 10,5    | 1,8  | 11,2  | 1,93 | 11,9    | 2,06 | 13,4    | 2,31 | 14,9  | 2,6  |
|   | 25                                     | 7,6                                    | 1,36 | 9       | 1,59 | 10,5    | 1,84 | 11,2  | 1,96 | 11,9    | 2,12 | 13,4    | 2,43 | 14,9  | 2,77 |
| 27                                      | 7,6                                    | 1,39                                   | 9    | 1,65    | 10,5 | 1,94    | 11,2 | 2,09  | 11,9 | 2,25    | 13,4 | 2,59    | 14,9 | 2,96  |      |
| 29                                      | 7,6                                    | 1,46                                   | 9    | 1,74    | 10,5 | 2,06    | 11,2 | 2,22  | 11,9 | 2,4     | 13,4 | 2,75    | 14,9 | 3,15  |      |
| 31                                      | 7,6                                    | 1,54                                   | 9    | 1,84    | 10,5 | 2,17    | 11,2 | 2,36  | 11,9 | 2,54    | 13,4 | 2,93    | 14,9 | 3,35  |      |
| 33                                      | 7,6                                    | 1,63                                   | 9    | 1,95    | 10,5 | 2,31    | 11,2 | 2,5   | 11,9 | 2,7     | 13,4 | 3,11    | 14,9 | 3,56  |      |
| 35                                      | 7,6                                    | 1,73                                   | 9    | 2,06    | 10,5 | 2,44    | 11,2 | 2,64  | 11,9 | 2,85    | 13,4 | 3,3     | 14,9 | 3,78  |      |
| 37                                      | 7,6                                    | 1,82                                   | 9    | 2,18    | 10,5 | 2,59    | 11,2 | 2,8   | 11,9 | 3,03    | 13,4 | 3,51    | 14,9 | 4,02  |      |
| 39                                      | 7,6                                    | 1,92                                   | 9    | 2,3     | 10,5 | 2,73    | 11,2 | 2,96  | 11,9 | 3,21    | 13,4 | 3,72    | 14,9 | 4,27  |      |
| 41                                      | 7,6                                    | 2                                      | 9    | 2,4     | 10,5 | 2,83    | 11,2 | 3,1   | 11,9 | 3,35    | 13,4 | 3,92    | 14,9 | 4,47  |      |
| 43                                      | 7,6                                    | 2,13                                   | 9    | 2,57    | 10,5 | 2,93    | 11,2 | 3,24  | 11,9 | 3,44    | 13,4 | 4,11    | 14,9 | 4,66  |      |
| 45                                      | 7,6                                    | 2,18                                   | 9    | 2,63    | 10,5 | 3,13    | 11,2 | 3,49  | 11,9 | 3,58    | 13,4 | 4,51    | 14,9 | 5,06  |      |

kWf = Cooling capacity [kW]

kWe = Compressor + Fan power input [kW]

DB=Dry bulb

WB=Wet bulb

**Notes:**

It is recommended to have system with Indoor/Outdoor Capacity Ratio less than 130%

Avoid running the unit in cooling mode when outdoor air temperature is above 43°C DB

The above capacity tables show the average values in operating conditions

# Performance in Cooling

## MSAN-XMi 260T

| Indoor/<br>Outdoor<br>Capacity<br>Ratio | Outdoor air<br>temperature<br>D.B.(°C) | Indoor air temperature D.B / W.B. (°C) |      |         |      |         |      |       |      |         |      |         |      |       |      |
|---|--|--|------|---------|------|---------|------|-------|------|---------|------|---------|------|-------|------|
|   |  | 20,8/14                                |      | 23,3/16 |      | 25,8/18 |      | 27/19 |      | 28,2/20 |      | 30,7/22 |      | 32/24 |      |
|   |  | kWf                                    | kWe  | kWf     | kWe  | kWf     | kWe  | kWf   | kWe  | kWf     | kWe  | kWf     | kWe  | kWf   | kWe  |
| 130%                                    | -15                                    | 21,7                                   | 3,25 | 25,7    | 3,97 | 30      | 4,26 | 31,1  | 4,46 | 32,7    | 4,61 | 33,3    | 4,99 | 34,1  | 5    |
|   | -13                                    | 21,7                                   | 3,27 | 25,7    | 3,97 | 30      | 4,3  | 31,1  | 4,48 | 32,7    | 4,61 | 33,3    | 5    | 34,1  | 5,04 |
|   | -11                                    | 21,7                                   | 3,27 | 25,7    | 4    | 30      | 4,3  | 31,1  | 4,5  | 32,7    | 4,62 | 33,3    | 5,01 | 34,1  | 5,04 |
|   | -9                                     | 22,4                                   | 3,29 | 26,7    | 4,03 | 30,9    | 4,31 | 31,9  | 4,51 | 33,9    | 4,64 | 34,2    | 5,04 | 34,9  | 5,08 |
|   | -7                                     | 22,4                                   | 3,32 | 26,7    | 4,03 | 30,9    | 4,31 | 31,9  | 4,52 | 33,9    | 4,64 | 34,2    | 5,04 | 34,9  | 5,08 |
|   | -5                                     | 22,8                                   | 3,32 | 27,2    | 4,06 | 31,6    | 4,35 | 32,8  | 4,52 | 34,4    | 4,65 | 35,2    | 5,06 | 36,1  | 5,09 |
|   | -2                                     | 22,8                                   | 3,32 | 27,2    | 4,14 | 31,6    | 4,35 | 32,8  | 4,55 | 34,4    | 4,65 | 35,2    | 5,12 | 36,1  | 5,14 |
|   | 0                                      | 22,8                                   | 3,38 | 27,2    | 4,21 | 31,6    | 4,51 | 32,8  | 4,8  | 34,4    | 4,92 | 35,2    | 5,19 | 36,1  | 5,21 |
|   | 2                                      | 22,8                                   | 3,44 | 27,2    | 4,22 | 31,6    | 4,66 | 32,8  | 5,07 | 34,4    | 4,98 | 35,2    | 5,23 | 36,1  | 5,29 |
|   | 4                                      | 22,8                                   | 3,52 | 27,2    | 4,3  | 31,6    | 4,82 | 32,8  | 5,09 | 34,4    | 5,05 | 35,2    | 5,3  | 36,1  | 5,39 |
|   | 6                                      | 22,8                                   | 3,59 | 27,2    | 4,38 | 31,6    | 5    | 32,8  | 5,14 | 34      | 5,2  | 34,8    | 5,39 | 35,7  | 5,43 |
|   | 8                                      | 22,8                                   | 3,67 | 27,2    | 4,48 | 31,6    | 5,25 | 32,8  | 5,39 | 33,6    | 5,37 | 34,4    | 5,4  | 35,2  | 5,48 |
|   | 10                                     | 22,8                                   | 3,75 | 27,2    | 4,58 | 31,6    | 5,45 | 32,8  | 5,57 | 33,1    | 5,47 | 34      | 5,49 | 34,8  | 5,64 |
|   | 12                                     | 22,8                                   | 3,81 | 27,2    | 4,67 | 31,6    | 5,56 | 32,3  | 5,65 | 32,8    | 5,55 | 33,5    | 5,57 | 34,4  | 5,68 |
|   | 14                                     | 22,8                                   | 3,89 | 27,2    | 4,76 | 31,5    | 5,64 | 31,9  | 5,73 | 32,3    | 5,64 | 33,1    | 5,65 | 34    | 5,8  |
|   | 16                                     | 22,8                                   | 3,96 | 27,2    | 4,85 | 31,1    | 5,72 | 31,5  | 5,81 | 31,8    | 5,8  | 32,7    | 5,74 | 33,5  | 5,9  |
|   | 18                                     | 22,8                                   | 4,03 | 27,2    | 4,95 | 30,6    | 5,81 | 31    | 5,84 | 31,5    | 5,87 | 32,3    | 5,93 | 33,1  | 5,98 |
|   | 20                                     | 22,8                                   | 4,12 | 27,2    | 5,27 | 30,2    | 6,09 | 30,6  | 6,13 | 31      | 6,16 | 31,8    | 6,21 | 32,7  | 6,28 |
|   | 21                                     | 22,8                                   | 4,23 | 27,2    | 5,46 | 30      | 6,24 | 30,5  | 6,27 | 30,8    | 6,3  | 31,7    | 6,37 | 32,5  | 6,42 |
|   | 23                                     | 22,8                                   | 4,54 | 27,2    | 5,85 | 29,6    | 6,52 | 30    | 6,55 | 30,4    | 6,59 | 31,2    | 6,65 | 32    | 6,72 |
|   | 25                                     | 22,8                                   | 4,84 | 27,2    | 6,27 | 29,2    | 6,8  | 29,5  | 6,84 | 30      | 6,88 | 30,8    | 6,95 | 31,7  | 7,01 |
| 27                                      | 22,8                                   | 5,17                                   | 27,2 | 6,71    | 28,8 | 7,09    | 29,2 | 7,13  | 29,5 | 7,17    | 30,4 | 7,24    | 31,2 | 7,32  |      |
| 29                                      | 22,8                                   | 5,52                                   | 27,2 | 7,17    | 28,3 | 7,37    | 28,7 | 7,42  | 29,2 | 7,46    | 30   | 7,54    | 30,8 | 7,62  |      |
| 31                                      | 22,8                                   | 5,9                                    | 27,1 | 7,58    | 27,9 | 7,67    | 28,3 | 7,71  | 28,7 | 7,75    | 29,5 | 7,83    | 30,4 | 7,92  |      |
| 33                                      | 22,8                                   | 6,28                                   | 26,6 | 7,87    | 27,5 | 7,95    | 27,9 | 8     | 28,3 | 8,04    | 29,2 | 8,13    | 29,9 | 8,22  |      |
| 35                                      | 22,8                                   | 6,69                                   | 26,2 | 8,15    | 27   | 8,25    | 27,5 | 8,3   | 27,9 | 8,34    | 28,7 | 8,44    | 29,5 | 8,52  |      |
| 37                                      | 22,8                                   | 7,12                                   | 25,8 | 8,45    | 26,6 | 8,55    | 27   | 8,59  | 27,5 | 8,65    | 28,2 | 8,74    | 29,1 | 8,84  |      |
| 39                                      | 22,8                                   | 7,58                                   | 25,3 | 8,54    | 26,2 | 8,83    | 26,6 | 8,89  | 27   | 8,94    | 27,9 | 9,04    | 28,7 | 9,15  |      |
| 41                                      | 22,8                                   | 7,98                                   | 25,1 | 8,62    | 25,9 | 8,91    | 26,4 | 8,97  | 26,7 | 9,02    | 27,6 | 9,06    | 27,6 | 9,23  |      |
| 43                                      | 22,8                                   | 8,18                                   | 24,9 | 8,66    | 25,8 | 8,94    | 26,2 | 9,01  | 26,5 | 9,04    | 27,1 | 9,07    | 27,3 | 9,25  |      |
| 45                                      | 22,8                                   | 8,59                                   | 24,7 | 8,74    | 25,5 | 9,02    | 26   | 9,07  | 26,1 | 9,08    | 26,3 | 9,11    | 26,7 | 9,43  |      |
| 120%                                    | -15                                    | 19,9                                   | 3,14 | 23,7    | 3,81 | 27,6    | 4,51 | 29,6  | 4,95 | 31,2    | 5,18 | 31,5    | 5,31 | 32,1  | 5,45 |
|   | -13                                    | 19,9                                   | 3,15 | 23,7    | 3,81 | 27,6    | 4,54 | 29,6  | 4,96 | 31,2    | 5,18 | 31,5    | 5,33 | 32,1  | 5,48 |
|   | -11                                    | 19,9                                   | 3,15 | 23,7    | 3,83 | 27,6    | 4,54 | 29,6  | 4,98 | 31,2    | 5,19 | 31,5    | 5,34 | 32,1  | 5,48 |
|   | -9                                     | 20,6                                   | 3,18 | 24,6    | 3,86 | 28,6    | 4,57 | 30,3  | 4,99 | 32,2    | 5,21 | 32,4    | 5,37 | 33    | 5,51 |
|   | -7                                     | 20,6                                   | 3,21 | 24,6    | 3,86 | 28,6    | 4,57 | 30,3  | 4,99 | 32,2    | 5,22 | 32,4    | 5,37 | 33    | 5,52 |
|   | -5                                     | 21,1                                   | 3,21 | 25,1    | 3,89 | 29,2    | 4,6  | 31,2  | 5,01 | 32,7    | 5,23 | 33,4    | 5,39 | 34,2  | 5,54 |
|   | -2                                     | 21,1                                   | 3,24 | 25,1    | 3,93 | 29,2    | 4,64 | 31,2  | 5,04 | 32,7    | 5,29 | 33,4    | 5,44 | 34,2  | 5,56 |
|   | 0                                      | 21,1                                   | 3,27 | 25,1    | 3,96 | 29,2    | 4,7  | 31,2  | 5,06 | 32,7    | 5,34 | 33,4    | 5,47 | 34,2  | 5,57 |
|   | 2                                      | 21,1                                   | 3,28 | 25,1    | 4    | 29,2    | 4,73 | 31,2  | 5,1  | 32,7    | 5,36 | 33,4    | 5,51 | 34,2  | 5,58 |
|   | 4                                      | 21,1                                   | 3,31 | 25,1    | 4,05 | 29,2    | 4,8  | 31,2  | 5,15 | 32,7    | 5,43 | 33,4    | 5,52 | 34,2  | 5,59 |
|   | 6                                      | 21,1                                   | 3,35 | 25,1    | 4,08 | 29,2    | 4,85 | 31,2  | 5,21 | 32,7    | 5,49 | 33,4    | 5,57 | 34,2  | 5,61 |
|   | 8                                      | 21,1                                   | 3,38 | 25,1    | 4,12 | 29,2    | 4,92 | 31,2  | 5,27 | 32,7    | 5,54 | 33,4    | 5,59 | 34,2  | 5,64 |
|   | 10                                     | 21,1                                   | 3,42 | 25,1    | 4,17 | 29,2    | 4,96 | 31,2  | 5,37 | 32,7    | 5,55 | 33,4    | 5,6  | 34,2  | 5,66 |
|   | 12                                     | 21,1                                   | 3,48 | 25,1    | 4,25 | 29,2    | 5,06 | 31,2  | 5,47 | 32,2    | 5,57 | 33      | 5,57 | 33,7  | 5,7  |
|   | 14                                     | 21,1                                   | 3,55 | 25,1    | 4,34 | 29,2    | 5,16 | 31,2  | 5,58 | 31,8    | 5,6  | 32,6    | 5,66 | 33,3  | 5,77 |
|   | 16                                     | 21,1                                   | 3,62 | 25,1    | 4,43 | 29,2    | 5,26 | 31    | 4,1  | 31,4    | 5,69 | 32,1    | 5,75 | 32,9  | 5,86 |
|   | 18                                     | 21,1                                   | 3,68 | 25,1    | 4,51 | 29,2    | 5,43 | 30,6  | 5,81 | 30,9    | 5,83 | 31,7    | 5,88 | 32,5  | 5,94 |
|   | 20                                     | 21,1                                   | 3,76 | 25,1    | 4,69 | 29,2    | 5,85 | 30,2  | 6,09 | 30,6    | 6,11 | 31,3    | 6,17 | 32    | 6,22 |
|   | 21                                     | 21,1                                   | 3,79 | 25,1    | 4,85 | 29,2    | 6,06 | 29,9  | 6,23 | 30,3    | 6,26 | 31,1    | 6,31 | 31,9  | 6,38 |
|   | 23                                     | 21,1                                   | 4,05 | 25,1    | 5,2  | 29,2    | 6,49 | 29,5  | 6,51 | 29,9    | 6,54 | 30,6    | 6,61 | 31,4  | 6,66 |
|   | 25                                     | 21,1                                   | 4,33 | 25,1    | 5,57 | 28,7    | 6,77 | 29,1  | 6,79 | 29,4    | 6,83 | 30,3    | 6,89 | 31    | 6,96 |
| 27                                      | 21,1                                   | 4,62                                   | 25,1 | 5,95    | 28,3 | 7,05    | 28,7 | 7,09  | 29,1 | 7,12    | 29,8 | 7,19    | 30,6 | 7,25  |      |
| 29                                      | 21,1                                   | 4,93                                   | 25,1 | 6,36    | 27,9 | 7,33    | 28,2 | 7,37  | 28,6 | 7,41    | 29,3 | 7,48    | 30,2 | 7,55  |      |
| 31                                      | 21,1                                   | 5,26                                   | 25,1 | 6,78    | 27,4 | 7,63    | 27,9 | 7,66  | 28,2 | 7,7     | 29   | 7,78    | 29,7 | 7,86  |      |
| 33                                      | 21,1                                   | 5,6                                    | 25,1 | 7,23    | 27   | 7,91    | 27,4 | 7,95  | 27,8 | 7,99    | 28,5 | 8,08    | 29,2 | 8,15  |      |
| 35                                      | 21,1                                   | 5,96                                   | 25,1 | 7,71    | 26,6 | 8,19    | 26,9 | 8,24  | 27,4 | 8,28    | 28,1 | 8,37    | 28,9 | 8,46  |      |
| 37                                      | 21,1                                   | 6,34                                   | 25,1 | 8,22    | 26,2 | 8,49    | 26,6 | 8,54  | 26,9 | 8,58    | 27,7 | 8,67    | 28,4 | 8,77  |      |
| 39                                      | 21,1                                   | 6,75                                   | 25   | 8,68    | 25,7 | 8,78    | 26,1 | 8,83  | 26,5 | 8,88    | 27,3 | 8,97    | 28   | 9,06  |      |
| 41                                      | 21,1                                   | 6,93                                   | 24,8 | 8,74    | 25,5 | 8,84    | 25,9 | 8,89  | 26,3 | 8,94    | 27,1 | 9       | 27,2 | 9,13  |      |
| 43                                      | 21,1                                   | 7,04                                   | 24,6 | 8,8     | 25,3 | 8,89    | 25,7 | 8,93  | 26,1 | 8,97    | 26,6 | 9,02    | 26,8 | 9,31  |      |
| 45                                      | 21,1                                   | 7,12                                   | 24,5 | 8,88    | 25,1 | 8,97    | 25,4 | 9,01  | 25,8 | 9,04    | 26,1 | 9,05    | 26,5 | 9,51  |      |

kWf = Cooling capacity [kW]  
 kWe = Compressor + Fan power input [kW]  
 DB=Dry bulb  
 WB=Wet bulb

# Performance in Cooling

## MSAN-XMi 260T

| Indoor/<br>Outdoor<br>Capacity<br>Ratio | Outdoor air<br>temperature<br>D.B.(°C) | Indoor air temperature D.B / W.B. (°C) |      |         |      |         |      |       |      |         |      |         |      |       |      |
|---|--|--|------|---------|------|---------|------|-------|------|---------|------|---------|------|-------|------|
|   |  | 20,8/14                                |      | 23,3/16 |      | 25,8/18 |      | 27/19 |      | 28,2/20 |      | 30,7/22 |      | 32/24 |      |
|   |  | kWf                                    | kWe  | kWf     | kWe  | kWf     | kWe  | kWf   | kWe  | kWf     | kWe  | kWf     | kWe  | kWf   | kWe  |
| 110%                                    | -15                                    | 18,2                                   | 2,74 | 21,8    | 3,42 | 25,3    | 4,08 | 27,1  | 4,41 | 29      | 4,77 | 30,9    | 4,92 | 31,5  | 5,07 |
|   | -13                                    | 18,2                                   | 2,75 | 21,8    | 3,42 | 25,3    | 4,11 | 27,1  | 4,42 | 29      | 4,77 | 30,9    | 4,93 | 31,5  | 5,09 |
|   | -11                                    | 18,2                                   | 2,75 | 21,8    | 3,44 | 25,3    | 4,11 | 27,1  | 4,44 | 29      | 4,78 | 30,9    | 4,95 | 31,5  | 5,09 |
|   | -9                                     | 18,9                                   | 2,78 | 22,6    | 3,46 | 26,2    | 4,14 | 27,8  | 4,45 | 30      | 4,79 | 31,7    | 4,97 | 32,4  | 5,12 |
|   | -7                                     | 18,9                                   | 2,8  | 22,6    | 3,46 | 26,2    | 4,14 | 27,8  | 4,45 | 30      | 4,8  | 31,7    | 4,97 | 32,4  | 5,13 |
|   | -5                                     | 19,3                                   | 2,8  | 23      | 3,49 | 26,7    | 4,16 | 28,6  | 4,47 | 30,5    | 4,81 | 32,8    | 4,99 | 33,5  | 5,15 |
|   | -2                                     | 19,3                                   | 2,86 | 23      | 3,53 | 26,7    | 4,2  | 28,6  | 4,51 | 30,5    | 4,85 | 32,8    | 5,04 | 33,5  | 5,18 |
|   | 0                                      | 19,3                                   | 2,89 | 23      | 3,55 | 26,7    | 4,23 | 28,6  | 4,54 | 30,5    | 4,9  | 32,8    | 5,09 | 33,5  | 5,24 |
|   | 2                                      | 19,3                                   | 2,95 | 23      | 3,59 | 26,7    | 4,3  | 28,6  | 4,59 | 30,5    | 4,95 | 32,8    | 5,17 | 33,5  | 5,3  |
|   | 4                                      | 19,3                                   | 3,01 | 23      | 3,63 | 26,7    | 4,34 | 28,6  | 4,65 | 30,5    | 5,03 | 32,8    | 5,24 | 33,5  | 5,35 |
|   | 6                                      | 19,3                                   | 3,04 | 23      | 3,67 | 26,7    | 4,38 | 28,6  | 4,72 | 30,5    | 5,08 | 32,8    | 5,29 | 33,5  | 5,44 |
|   | 8                                      | 19,3                                   | 3,06 | 23      | 3,73 | 26,7    | 4,43 | 28,6  | 4,77 | 30,5    | 5,14 | 32,8    | 5,33 | 33,5  | 5,49 |
|   | 10                                     | 19,3                                   | 3,1  | 23      | 3,78 | 26,7    | 4,49 | 28,6  | 4,85 | 30,5    | 5,23 | 32,8    | 5,37 | 33,5  | 5,54 |
|   | 12                                     | 19,3                                   | 3,17 | 23      | 3,86 | 26,7    | 4,58 | 28,6  | 4,95 | 30,5    | 5,33 | 32,4    | 5,45 | 33,1  | 5,61 |
|   | 14                                     | 19,3                                   | 3,22 | 23      | 3,92 | 26,7    | 4,67 | 28,6  | 5,04 | 30,5    | 5,42 | 31,9    | 5,49 | 32,7  | 5,65 |
|   | 16                                     | 19,3                                   | 3,28 | 23      | 4    | 26,7    | 4,76 | 28,6  | 5,14 | 30,5    | 5,53 | 31,6    | 5,56 | 32,2  | 5,71 |
|   | 18                                     | 19,3                                   | 3,34 | 23      | 4,08 | 26,7    | 4,85 | 28,6  | 5,28 | 30,5    | 5,8  | 31,1    | 5,84 | 31,9  | 5,9  |
|   | 20                                     | 19,3                                   | 3,41 | 23      | 4,16 | 26,7    | 5,14 | 28,6  | 5,68 | 30      | 6,08 | 30,7    | 6,13 | 31,4  | 6,18 |
|   | 21                                     | 19,3                                   | 3,44 | 23      | 4,28 | 26,7    | 5,33 | 28,6  | 5,88 | 29,8    | 6,22 | 30,5    | 6,27 | 31,2  | 6,32 |
|   | 23                                     | 19,3                                   | 3,6  | 23      | 4,59 | 26,7    | 5,71 | 28,6  | 6,31 | 29,3    | 6,5  | 30,1    | 6,56 | 30,7  | 6,62 |
|   | 25                                     | 19,3                                   | 3,85 | 23      | 4,91 | 26,7    | 6,1  | 28,6  | 6,76 | 29      | 6,78 | 29,6    | 6,85 | 30,4  | 6,9  |
| 27                                      | 19,3                                   | 4,1                                    | 23   | 5,25    | 26,7 | 6,53    | 28,1 | 7,05  | 28,5 | 7,07    | 29,3 | 7,13    | 29,9 | 7,2   |      |
| 29                                      | 19,3                                   | 4,37                                   | 23   | 5,6     | 26,7 | 6,98    | 27,8 | 7,33  | 28,1 | 7,36    | 28,8 | 7,43    | 29,5 | 7,5   |      |
| 31                                      | 19,3                                   | 4,66                                   | 23   | 5,97    | 26,7 | 7,45    | 27,3 | 7,62  | 27,7 | 7,65    | 28,4 | 7,71    | 29,1 | 7,79  |      |
| 33                                      | 19,3                                   | 4,95                                   | 23   | 6,37    | 26,6 | 7,86    | 26,9 | 7,9   | 27,3 | 7,93    | 28   | 8,01    | 28,7 | 8,09  |      |
| 35                                      | 19,3                                   | 5,27                                   | 23   | 6,78    | 26,1 | 8,14    | 26,5 | 8,19  | 26,8 | 8,23    | 27,5 | 8,31    | 28,2 | 8,38  |      |
| 37                                      | 19,3                                   | 5,61                                   | 23   | 7,22    | 25,7 | 8,44    | 26,1 | 8,47  | 26,4 | 8,51    | 27,1 | 8,6     | 27,8 | 8,68  |      |
| 39                                      | 19,3                                   | 5,96                                   | 23   | 7,69    | 25,3 | 8,72    | 25,6 | 8,77  | 26   | 8,81    | 26,7 | 8,9     | 27,4 | 8,98  |      |
| 41                                      | 19,3                                   | 6,02                                   | 23   | 7,75    | 25,1 | 8,78    | 25,4 | 8,83  | 25,8 | 8,87    | 26,3 | 8,96    | 26,6 | 9,05  |      |
| 43                                      | 19,3                                   | 6,08                                   | 23   | 7,85    | 24,9 | 8,85    | 25,2 | 8,89  | 25,6 | 8,93    | 26,1 | 8,99    | 26,2 | 9,23  |      |
| 45                                      | 19,3                                   | 6,28                                   | 23   | 7,9     | 24,6 | 8,93    | 25   | 9     | 25,4 | 9,01    | 25,8 | 9,24    | 25,9 | 9,44  |      |
| 100%                                    | -15                                    | 16,6                                   | 2,5  | 19,8    | 3,01 | 23      | 3,59 | 24,6  | 3,87 | 26,4    | 4,21 | 29,3    | 4,77 | 30,9  | 4,98 |
|   | -13                                    | 16,6                                   | 2,51 | 19,8    | 3,01 | 23      | 3,61 | 24,6  | 3,88 | 26,4    | 4,21 | 29,3    | 4,79 | 30,9  | 5    |
|   | -11                                    | 16,6                                   | 2,51 | 19,8    | 3,03 | 23      | 3,61 | 24,6  | 3,89 | 26,4    | 4,23 | 29,3    | 4,8  | 30,9  | 5    |
|   | -9                                     | 17,2                                   | 2,53 | 20,5    | 3,05 | 23,8    | 3,63 | 25,3  | 3,9  | 27,2    | 4,24 | 30,1    | 4,82 | 31,7  | 5,03 |
|   | -7                                     | 17,2                                   | 2,55 | 20,5    | 3,05 | 23,8    | 3,63 | 25,3  | 3,9  | 27,2    | 4,24 | 30,1    | 4,82 | 31,7  | 5,04 |
|   | -5                                     | 17,6                                   | 2,55 | 20,9    | 3,07 | 24,3    | 3,66 | 26    | 3,92 | 27,7    | 4,25 | 31,1    | 4,85 | 32,9  | 5,06 |
|   | -2                                     | 17,6                                   | 2,58 | 20,9    | 3,11 | 24,3    | 3,7  | 26    | 3,99 | 27,7    | 4,31 | 31,1    | 4,9  | 32,9  | 5,09 |
|   | 0                                      | 17,6                                   | 2,61 | 20,9    | 3,15 | 24,3    | 3,74 | 26    | 4,04 | 27,7    | 4,35 | 31,1    | 4,98 | 32,9  | 5,15 |
|   | 2                                      | 17,6                                   | 2,66 | 20,9    | 3,19 | 24,3    | 3,78 | 26    | 4,09 | 27,7    | 4,4  | 31,1    | 5,06 | 32,9  | 5,23 |
|   | 4                                      | 17,6                                   | 2,68 | 20,9    | 3,22 | 24,3    | 3,84 | 26    | 4,15 | 27,7    | 4,46 | 31,1    | 5,11 | 32,9  | 5,28 |
|   | 6                                      | 17,6                                   | 2,72 | 20,9    | 3,28 | 24,3    | 3,89 | 26    | 4,23 | 27,7    | 4,52 | 31,1    | 5,18 | 32,9  | 5,37 |
|   | 8                                      | 17,6                                   | 2,77 | 20,9    | 3,33 | 24,3    | 3,96 | 26    | 4,28 | 27,7    | 4,59 | 31,1    | 5,26 | 32,9  | 5,46 |
|   | 10                                     | 17,6                                   | 2,8  | 20,9    | 3,4  | 24,3    | 4,02 | 26    | 4,35 | 27,7    | 4,68 | 31,1    | 5,35 | 32,9  | 5,53 |
|   | 12                                     | 17,6                                   | 2,85 | 20,9    | 3,46 | 24,3    | 4,1  | 26    | 4,43 | 27,7    | 4,77 | 31,1    | 5,45 | 32,4  | 5,58 |
|   | 14                                     | 17,6                                   | 2,9  | 20,9    | 3,53 | 24,3    | 4,17 | 26    | 4,51 | 27,7    | 4,85 | 31,1    | 5,55 | 32    | 5,64 |
|   | 16                                     | 17,6                                   | 2,96 | 20,9    | 3,59 | 24,3    | 4,26 | 26    | 4,6  | 27,7    | 4,95 | 30,9    | 5,62 | 31,6  | 5,71 |
|   | 18                                     | 17,6                                   | 3,01 | 20,9    | 3,66 | 24,3    | 4,34 | 26    | 4,69 | 27,7    | 5,05 | 30,6    | 5,81 | 31,2  | 5,85 |
|   | 20                                     | 17,6                                   | 3,07 | 20,9    | 3,74 | 24,3    | 4,47 | 26    | 4,93 | 27,7    | 5,41 | 30,1    | 6,08 | 30,7  | 6,14 |
|   | 21                                     | 17,6                                   | 3,1  | 20,9    | 3,77 | 24,3    | 4,63 | 26    | 5,11 | 27,7    | 5,6  | 29,9    | 6,22 | 30,6  | 6,28 |
|   | 23                                     | 17,6                                   | 3,18 | 20,9    | 4,02 | 24,3    | 4,96 | 26    | 5,47 | 27,7    | 6    | 29,5    | 6,51 | 30,1  | 6,56 |
|   | 25                                     | 17,6                                   | 3,39 | 20,9    | 4,3  | 24,3    | 5,31 | 26    | 5,86 | 27,7    | 6,43 | 29,1    | 6,79 | 29,7  | 6,85 |
| 27                                      | 17,6                                   | 3,62                                   | 20,9 | 4,58    | 24,3 | 5,68    | 26   | 6,27  | 27,7 | 6,88    | 28,6 | 7,08    | 29,3 | 7,14  |      |
| 29                                      | 17,6                                   | 3,85                                   | 20,9 | 4,89    | 24,3 | 6,06    | 26   | 6,7   | 27,6 | 7,31    | 28,2 | 7,37    | 28,9 | 7,43  |      |
| 31                                      | 17,6                                   | 4,1                                    | 20,9 | 5,22    | 24,3 | 6,46    | 26   | 7,14  | 27,2 | 7,59    | 27,8 | 7,66    | 28,4 | 7,72  |      |
| 33                                      | 17,6                                   | 4,35                                   | 20,9 | 5,56    | 24,3 | 6,89    | 26   | 7,63  | 26,7 | 7,88    | 27,4 | 7,94    | 28   | 8,02  |      |
| 35                                      | 17,6                                   | 4,62                                   | 20,9 | 5,91    | 24,3 | 7,35    | 26   | 8,13  | 26,3 | 8,16    | 26,9 | 8,24    | 27,6 | 8,31  |      |
| 37                                      | 17,6                                   | 4,92                                   | 20,9 | 6,29    | 24,3 | 7,83    | 25,5 | 8,41  | 25,9 | 8,46    | 26,6 | 8,53    | 27,1 | 8,6   |      |
| 39                                      | 17,6                                   | 5,23                                   | 20,9 | 6,68    | 24,3 | 8,34    | 25,2 | 8,7   | 25,4 | 8,74    | 26,1 | 8,82    | 26,7 | 8,91  |      |
| 41                                      | 17,6                                   | 5,47                                   | 20,9 | 6,93    | 24,3 | 8,64    | 24,8 | 8,76  | 25,2 | 8,88    | 25,6 | 9,03    | 26,4 | 9,09  |      |
| 43                                      | 17,6                                   | 5,71                                   | 20,9 | 7,17    | 24,3 | 8,8     | 24,4 | 8,86  | 25,1 | 8,96    | 25,8 | 9,09    | 25,9 | 9,19  |      |
| 45                                      | 17,6                                   | 6,04                                   | 20,9 | 7,5     | 24,3 | 8,95    | 23,9 | 8,98  | 24,9 | 9,13    | 25,6 | 9,23    | 25,4 | 9,31  |      |

kWf = Cooling capacity [kW]

kWe = Compressor + Fan power input [kW]

DB=Dry bulb

WB=Wet bulb

# Performance in Cooling

## MSAN-XMi 260T

| Indoor/<br>Outdoor<br>Capacity<br>Ratio | Outdoor air<br>temperature<br>D.B.(°C) | Indoor air temperature D.B / W.B. (°C) |      |         |      |         |      |       |      |         |      |         |      |       |      |
|---|--|--|------|---------|------|---------|------|-------|------|---------|------|---------|------|-------|------|
|   |  | 20,8/14                                |      | 23,3/16 |      | 25,8/18 |      | 27/19 |      | 28,2/20 |      | 30,7/22 |      | 32/24 |      |
|   |  | kWf                                    | kWe  | kWf     | kWe  | kWf     | kWe  | kWf   | kWe  | kWf     | kWe  | kWf     | kWe  | kWf   | kWe  |
| 90%                                     | -15                                    | 14,9                                   | 2,21 | 17,8    | 2,65 | 20,8    | 3,13 | 22,2  | 3,44 | 23,7    | 3,68 | 26,3    | 4,2  | 29,2  | 4,81 |
|   | -13                                    | 14,9                                   | 2,22 | 17,8    | 2,65 | 20,8    | 3,15 | 22,2  | 3,45 | 23,7    | 3,68 | 26,3    | 4,21 | 29,2  | 4,83 |
|   | -11                                    | 14,9                                   | 2,22 | 17,8    | 2,67 | 20,8    | 3,15 | 22,2  | 3,46 | 23,7    | 3,69 | 26,3    | 4,22 | 29,2  | 4,83 |
|   | -9                                     | 15,5                                   | 2,24 | 18,5    | 2,69 | 21,5    | 3,17 | 22,7  | 3,47 | 24,5    | 3,7  | 27,1    | 4,25 | 30    | 4,86 |
|   | -7                                     | 15,5                                   | 2,25 | 18,5    | 2,69 | 21,5    | 3,17 | 22,7  | 3,47 | 24,5    | 3,7  | 27,1    | 4,25 | 30    | 4,87 |
|   | -5                                     | 15,8                                   | 2,26 | 18,9    | 2,71 | 21,9    | 3,2  | 23,4  | 3,49 | 24,9    | 3,71 | 27,9    | 4,27 | 31    | 4,88 |
|   | -2                                     | 15,8                                   | 2,28 | 18,9    | 2,74 | 21,9    | 3,24 | 23,4  | 3,54 | 24,9    | 3,75 | 27,9    | 4,31 | 31    | 4,93 |
|   | 0                                      | 15,8                                   | 2,31 | 18,9    | 2,77 | 21,9    | 3,29 | 23,4  | 3,58 | 24,9    | 3,8  | 27,9    | 4,36 | 31    | 4,97 |
|   | 2                                      | 15,8                                   | 2,35 | 18,9    | 2,81 | 21,9    | 3,32 | 23,4  | 3,63 | 24,9    | 3,86 | 27,9    | 4,45 | 31    | 5,04 |
|   | 4                                      | 15,8                                   | 2,38 | 18,9    | 2,85 | 21,9    | 3,38 | 23,4  | 3,68 | 24,9    | 3,91 | 27,9    | 4,52 | 31    | 5,12 |
|   | 6                                      | 15,8                                   | 2,42 | 18,9    | 2,9  | 21,9    | 3,44 | 23,4  | 3,75 | 24,9    | 3,98 | 27,9    | 4,59 | 31    | 5,2  |
|   | 8                                      | 15,8                                   | 2,46 | 18,9    | 2,96 | 21,9    | 3,51 | 23,4  | 3,8  | 24,9    | 4,05 | 27,9    | 4,67 | 31    | 5,25 |
|   | 10                                     | 15,8                                   | 2,51 | 18,9    | 3,02 | 21,9    | 3,57 | 23,4  | 3,86 | 24,9    | 4,14 | 27,9    | 4,73 | 31    | 5,34 |
|   | 12                                     | 15,8                                   | 2,55 | 18,9    | 3,08 | 21,9    | 3,64 | 23,4  | 3,92 | 24,9    | 4,22 | 27,9    | 4,82 | 31    | 5,43 |
|   | 14                                     | 15,8                                   | 2,6  | 18,9    | 3,13 | 21,9    | 3,7  | 23,4  | 4    | 24,9    | 4,29 | 27,9    | 4,91 | 31    | 5,53 |
|   | 16                                     | 15,8                                   | 2,64 | 18,9    | 3,19 | 21,9    | 3,78 | 23,4  | 4,08 | 24,9    | 4,38 | 27,9    | 5,01 | 30,9  | 5,63 |
|   | 18                                     | 15,8                                   | 2,68 | 18,9    | 3,25 | 21,9    | 3,85 | 23,4  | 4,15 | 24,9    | 4,47 | 27,9    | 5,11 | 30,6  | 5,81 |
|   | 20                                     | 15,8                                   | 2,74 | 18,9    | 3,33 | 21,9    | 3,92 | 23,4  | 4,24 | 24,9    | 4,63 | 27,9    | 5,49 | 30,1  | 6,08 |
|   | 21                                     | 15,8                                   | 2,76 | 18,9    | 3,35 | 21,9    | 3,99 | 23,4  | 4,38 | 24,9    | 4,8  | 27,9    | 5,69 | 29,9  | 6,22 |
|   | 23                                     | 15,8                                   | 2,82 | 18,9    | 3,48 | 21,9    | 4,27 | 23,4  | 4,7  | 24,9    | 5,15 | 27,9    | 6,1  | 29,4  | 6,51 |
|   | 25                                     | 15,8                                   | 2,97 | 18,9    | 3,73 | 21,9    | 4,57 | 23,4  | 5,03 | 24,9    | 5,5  | 27,9    | 6,53 | 29,1  | 6,79 |
| 27                                      | 15,8                                   | 3,16                                   | 18,9 | 3,97    | 21,9 | 4,88    | 23,4 | 5,37  | 24,9 | 5,88    | 27,9 | 6,99    | 28,6 | 7,08  |      |
| 29                                      | 15,8                                   | 3,36                                   | 18,9 | 4,23    | 21,9 | 5,2     | 23,4 | 5,73  | 24,9 | 6,29    | 27,7 | 7,31    | 28,2 | 7,36  |      |
| 31                                      | 15,8                                   | 3,57                                   | 18,9 | 4,5     | 21,9 | 5,54    | 23,4 | 6,11  | 24,9 | 6,71    | 27,2 | 7,59    | 27,8 | 7,66  |      |
| 33                                      | 15,8                                   | 3,79                                   | 18,9 | 4,79    | 21,9 | 5,92    | 23,4 | 6,52  | 24,9 | 7,15    | 26,8 | 7,89    | 27,4 | 7,94  |      |
| 35                                      | 15,8                                   | 4,03                                   | 18,9 | 5,09    | 21,9 | 6,3     | 23,4 | 6,95  | 24,9 | 7,63    | 26,4 | 8,17    | 26,9 | 8,24  |      |
| 37                                      | 15,8                                   | 4,27                                   | 18,9 | 5,41    | 21,9 | 6,71    | 23,4 | 7,4   | 24,9 | 8,13    | 25,9 | 8,46    | 26,6 | 8,52  |      |
| 39                                      | 15,8                                   | 4,54                                   | 18,9 | 5,76    | 21,9 | 7,13    | 23,4 | 7,88  | 24,9 | 8,66    | 25,5 | 8,75    | 26,1 | 8,82  |      |
| 41                                      | 15,8                                   | 4,69                                   | 18,9 | 6,02    | 21,9 | 7,39    | 23,4 | 8,09  | 24,9 | 8,71    | 25,4 | 8,98    | 25,9 | 9,03  |      |
| 43                                      | 15,8                                   | 4,92                                   | 18,9 | 6,28    | 21,9 | 7,65    | 23,4 | 8,29  | 24,9 | 8,89    | 25,2 | 9,09    | 25,7 | 9,17  |      |
| 45                                      | 15,8                                   | 5,23                                   | 18,9 | 6,6     | 21,9 | 7,97    | 23,4 | 8,57  | 24,9 | 9,14    | 25,1 | 9,19    | 25,3 | 9,29  |      |
| 80%                                     | -15                                    | 13,2                                   | 1,95 | 15,8    | 2,3  | 18,4    | 2,73 | 19,7  | 2,92 | 21,2    | 3,16 | 23,4    | 3,63 | 25,9  | 4,14 |
|   | -13                                    | 13,2                                   | 1,95 | 15,8    | 2,3  | 18,4    | 2,75 | 19,7  | 2,93 | 21,2    | 3,16 | 23,4    | 3,64 | 25,9  | 4,16 |
|   | -11                                    | 13,2                                   | 1,95 | 15,8    | 2,32 | 18,4    | 2,75 | 19,7  | 2,94 | 21,2    | 3,17 | 23,4    | 3,65 | 25,9  | 4,16 |
|   | -9                                     | 13,7                                   | 1,97 | 16,4    | 2,33 | 19      | 2,77 | 20,2  | 2,95 | 21,8    | 3,18 | 24,1    | 3,67 | 26,6  | 4,18 |
|   | -7                                     | 13,7                                   | 1,99 | 16,4    | 2,33 | 19      | 2,77 | 20,2  | 2,95 | 21,8    | 3,18 | 24,1    | 3,67 | 26,6  | 4,19 |
|   | -5                                     | 14                                     | 1,99 | 16,7    | 2,35 | 19,4    | 2,79 | 20,8  | 2,96 | 22,2    | 3,19 | 24,9    | 3,69 | 27,6  | 4,21 |
|   | -2                                     | 14                                     | 2,02 | 16,7    | 2,38 | 19,4    | 2,81 | 20,8  | 3,01 | 22,2    | 3,22 | 24,9    | 3,72 | 27,6  | 4,25 |
|   | 0                                      | 14                                     | 2,05 | 16,7    | 2,41 | 19,4    | 2,84 | 20,8  | 3,04 | 22,2    | 3,28 | 24,9    | 3,77 | 27,6  | 4,31 |
|   | 2                                      | 14                                     | 2,09 | 16,7    | 2,45 | 19,4    | 2,88 | 20,8  | 3,1  | 22,2    | 3,34 | 24,9    | 3,85 | 27,6  | 4,39 |
|   | 4                                      | 14                                     | 2,13 | 16,7    | 2,49 | 19,4    | 2,94 | 20,8  | 3,17 | 22,2    | 3,39 | 24,9    | 3,92 | 27,6  | 4,45 |
|   | 6                                      | 14                                     | 2,16 | 16,7    | 2,55 | 19,4    | 2,98 | 20,8  | 3,24 | 22,2    | 3,46 | 24,9    | 3,98 | 27,6  | 4,52 |
|   | 8                                      | 14                                     | 2,21 | 16,7    | 2,6  | 19,4    | 3,05 | 20,8  | 3,29 | 22,2    | 3,53 | 24,9    | 4,04 | 27,6  | 4,61 |
|   | 10                                     | 14                                     | 2,22 | 16,7    | 2,66 | 19,4    | 3,13 | 20,8  | 3,37 | 22,2    | 3,62 | 24,9    | 4,13 | 27,6  | 4,66 |
|   | 12                                     | 14                                     | 2,26 | 16,7    | 2,71 | 19,4    | 3,19 | 20,8  | 3,44 | 22,2    | 3,69 | 24,9    | 4,21 | 27,6  | 4,74 |
|   | 14                                     | 14                                     | 2,3  | 16,7    | 2,76 | 19,4    | 3,24 | 20,8  | 3,5  | 22,2    | 3,76 | 24,9    | 4,28 | 27,6  | 4,83 |
|   | 16                                     | 14                                     | 2,33 | 16,7    | 2,81 | 19,4    | 3,31 | 20,8  | 3,56 | 22,2    | 3,82 | 24,9    | 4,37 | 27,6  | 4,92 |
|   | 18                                     | 14                                     | 2,38 | 16,7    | 2,86 | 19,4    | 3,37 | 20,8  | 3,64 | 22,2    | 3,9  | 24,9    | 4,46 | 27,6  | 5,02 |
|   | 20                                     | 14                                     | 2,42 | 16,7    | 2,91 | 19,4    | 3,44 | 20,8  | 3,7  | 22,2    | 3,98 | 24,9    | 4,62 | 27,6  | 5,37 |
|   | 21                                     | 14                                     | 2,44 | 16,7    | 2,94 | 19,4    | 3,47 | 20,8  | 3,75 | 22,2    | 4,07 | 24,9    | 4,79 | 27,6  | 5,57 |
|   | 23                                     | 14                                     | 2,49 | 16,7    | 3    | 19,4    | 3,64 | 20,8  | 3,99 | 22,2    | 4,35 | 24,9    | 5,13 | 27,6  | 5,97 |
|   | 25                                     | 14                                     | 2,56 | 16,7    | 3,19 | 19,4    | 3,89 | 20,8  | 4,26 | 22,2    | 4,65 | 24,9    | 5,49 | 27,6  | 6,39 |
| 27                                      | 14                                     | 2,73                                   | 16,7 | 3,4     | 19,4 | 4,14    | 20,8 | 4,55  | 22,2 | 4,96    | 24,9 | 5,86    | 27,6 | 6,84  |      |
| 29                                      | 14                                     | 2,9                                    | 16,7 | 3,62    | 19,4 | 4,42    | 20,8 | 4,84  | 22,2 | 5,3     | 24,9 | 6,26    | 27,6 | 7,31  |      |
| 31                                      | 14                                     | 3,08                                   | 16,7 | 3,85    | 19,4 | 4,7     | 20,8 | 5,16  | 22,2 | 5,65    | 24,9 | 6,68    | 27,1 | 7,59  |      |
| 33                                      | 14                                     | 3,28                                   | 16,7 | 4,09    | 19,4 | 5,01    | 20,8 | 5,5   | 22,2 | 6,02    | 24,9 | 7,12    | 26,7 | 7,88  |      |
| 35                                      | 14                                     | 3,47                                   | 16,7 | 4,35    | 19,4 | 5,33    | 20,8 | 5,85  | 22,2 | 6,41    | 24,9 | 7,59    | 26,3 | 8,16  |      |
| 37                                      | 14                                     | 3,68                                   | 16,7 | 4,61    | 19,4 | 5,67    | 20,8 | 6,23  | 22,2 | 6,83    | 24,9 | 8,1     | 25,9 | 8,45  |      |
| 39                                      | 14                                     | 3,9                                    | 16,7 | 4,92    | 19,4 | 6,03    | 20,8 | 6,63  | 22,2 | 7,26    | 24,9 | 8,62    | 25,4 | 8,74  |      |
| 41                                      | 14                                     | 3,99                                   | 16,7 | 4,96    | 19,4 | 6,11    | 20,8 | 6,8   | 22,2 | 7,4     | 24,9 | 8,84    | 25,3 | 8,9   |      |
| 43                                      | 14                                     | 4,11                                   | 16,7 | 5,01    | 19,4 | 6,2     | 20,8 | 6,92  | 22,2 | 7,5     | 24,9 | 8,95    | 25,1 | 8,99  |      |
| 45                                      | 14                                     | 4,22                                   | 16,7 | 5,07    | 19,4 | 6,32    | 20,8 | 7,07  | 22,2 | 7,63    | 24,9 | 9,04    | 24,8 | 9,14  |      |

kWf = Cooling capacity [kW]  
kWe = Compressor + Fan power input [kW]  
DB=Dry bulb  
WB=Wet bulb



# Performance in Cooling

## MSAN-XMi 260T

| Indoor/<br>Outdoor<br>Capacity<br>Ratio | Outdoor air<br>temperature<br>D.B.(°C) | Indoor air temperature D.B / W.B. (°C) |      |         |      |         |      |       |      |         |      |         |      |       |      |
|---|--|--|------|---------|------|---------|------|-------|------|---------|------|---------|------|-------|------|
|   |  | 20,8/14                                |      | 23,3/16 |      | 25,8/18 |      | 27/19 |      | 28,2/20 |      | 30,7/22 |      | 32/24 |      |
|   |  | kWf                                    | kWe  | kWf     | kWe  | kWf     | kWe  | kWf   | kWe  | kWf     | kWe  | kWf     | kWe  | kWf   | kWe  |
| 70%                                     | -15                                    | 11,6                                   | 1,74 | 13,9    | 2,04 | 16,1    | 2,31 | 17,3  | 2,5  | 18,5    | 2,68 | 20,5    | 3,04 | 22,7  | 3,49 |
|   | -13                                    | 11,6                                   | 1,74 | 13,9    | 2,04 | 16,1    | 2,33 | 17,3  | 2,5  | 18,5    | 2,68 | 20,5    | 3,05 | 22,7  | 3,51 |
|   | -11                                    | 11,6                                   | 1,74 | 13,9    | 2,05 | 16,1    | 2,33 | 17,3  | 2,51 | 18,5    | 2,68 | 20,5    | 3,06 | 22,7  | 3,51 |
|   | -9                                     | 12                                     | 1,76 | 14,4    | 2,07 | 16,7    | 2,34 | 17,7  | 2,52 | 19,1    | 2,69 | 21      | 3,08 | 23,3  | 3,53 |
|   | -7                                     | 12                                     | 1,77 | 14,4    | 2,07 | 16,7    | 2,34 | 17,7  | 2,52 | 19,1    | 2,69 | 21      | 3,08 | 23,3  | 3,54 |
|   | -5                                     | 12,3                                   | 1,78 | 14,7    | 2,08 | 17      | 2,36 | 18,2  | 2,53 | 19,4    | 2,7  | 21,7    | 3,09 | 24,1  | 3,55 |
|   | -2                                     | 12,3                                   | 1,79 | 14,7    | 2,09 | 17      | 2,37 | 18,2  | 2,58 | 19,4    | 2,75 | 21,7    | 3,14 | 24,1  | 3,6  |
|   | 0                                      | 12,3                                   | 1,8  | 14,7    | 2,12 | 17      | 2,42 | 18,2  | 2,63 | 19,4    | 2,8  | 21,7    | 3,2  | 24,1  | 3,65 |
|   | 2                                      | 12,3                                   | 1,81 | 14,7    | 2,13 | 17      | 2,46 | 18,2  | 2,68 | 19,4    | 2,85 | 21,7    | 3,27 | 24,1  | 3,71 |
|   | 4                                      | 12,3                                   | 1,83 | 14,7    | 2,18 | 17      | 2,52 | 18,2  | 2,72 | 19,4    | 2,91 | 21,7    | 3,32 | 24,1  | 3,79 |
|   | 6                                      | 12,3                                   | 1,86 | 14,7    | 2,22 | 17      | 2,58 | 18,2  | 2,81 | 19,4    | 2,98 | 21,7    | 3,38 | 24,1  | 3,87 |
|   | 8                                      | 12,3                                   | 1,9  | 14,7    | 2,29 | 17      | 2,64 | 18,2  | 2,86 | 19,4    | 3,04 | 21,7    | 3,48 | 24,1  | 3,94 |
|   | 10                                     | 12,3                                   | 1,94 | 14,7    | 2,32 | 17      | 2,71 | 18,2  | 2,91 | 19,4    | 3,12 | 21,7    | 3,55 | 24,1  | 3,99 |
|   | 12                                     | 12,3                                   | 1,98 | 14,7    | 2,36 | 17      | 2,76 | 18,2  | 2,97 | 19,4    | 3,18 | 21,7    | 3,62 | 24,1  | 4,07 |
|   | 14                                     | 12,3                                   | 2,02 | 14,7    | 2,4  | 17      | 2,81 | 18,2  | 3,01 | 19,4    | 3,23 | 21,7    | 3,68 | 24,1  | 4,14 |
|   | 16                                     | 12,3                                   | 2,05 | 14,7    | 2,44 | 17      | 2,86 | 18,2  | 3,08 | 19,4    | 3,3  | 21,7    | 3,75 | 24,1  | 4,22 |
|   | 18                                     | 12,3                                   | 2,08 | 14,7    | 2,49 | 17      | 2,91 | 18,2  | 3,13 | 19,4    | 3,35 | 21,7    | 3,82 | 24,1  | 4,31 |
|   | 20                                     | 12,3                                   | 2,11 | 14,7    | 2,53 | 17      | 2,97 | 18,2  | 3,19 | 19,4    | 3,42 | 21,7    | 3,9  | 24,1  | 4,43 |
|   | 21                                     | 12,3                                   | 2,14 | 14,7    | 2,55 | 17      | 2,99 | 18,2  | 3,22 | 19,4    | 3,45 | 21,7    | 3,96 | 24,1  | 4,58 |
|   | 23                                     | 12,3                                   | 2,17 | 14,7    | 2,6  | 17      | 3,06 | 18,2  | 3,33 | 19,4    | 3,63 | 21,7    | 4,24 | 24,1  | 4,91 |
|   | 25                                     | 12,3                                   | 2,21 | 14,7    | 2,71 | 17      | 3,25 | 18,2  | 3,56 | 19,4    | 3,87 | 21,7    | 4,54 | 24,1  | 5,25 |
| 27                                      | 12,3                                   | 2,34                                   | 14,7 | 2,88    | 17   | 3,47    | 18,2 | 3,79  | 19,4 | 4,13    | 21,7 | 4,84    | 24,1 | 5,61  |      |
| 29                                      | 12,3                                   | 2,49                                   | 14,7 | 3,06    | 17   | 3,69    | 18,2 | 4,04  | 19,4 | 4,39    | 21,7 | 5,16    | 24,1 | 5,99  |      |
| 31                                      | 12,3                                   | 2,63                                   | 14,7 | 3,24    | 17   | 3,93    | 18,2 | 4,3   | 19,4 | 4,68    | 21,7 | 5,5     | 24,1 | 6,39  |      |
| 33                                      | 12,3                                   | 2,79                                   | 14,7 | 3,45    | 17   | 4,19    | 18,2 | 4,57  | 19,4 | 4,99    | 21,7 | 5,86    | 24,1 | 6,82  |      |
| 35                                      | 12,3                                   | 2,96                                   | 14,7 | 3,66    | 17   | 4,44    | 18,2 | 4,86  | 19,4 | 5,3     | 21,7 | 6,25    | 24,1 | 7,26  |      |
| 37                                      | 12,3                                   | 3,12                                   | 14,7 | 3,88    | 17   | 4,72    | 18,2 | 5,16  | 19,4 | 5,64    | 21,7 | 6,65    | 24,1 | 7,74  |      |
| 39                                      | 12,3                                   | 3,31                                   | 14,7 | 4,11    | 17   | 5,01    | 18,2 | 5,49  | 19,4 | 5,99    | 21,7 | 7,07    | 24,1 | 8,24  |      |
| 41                                      | 12,3                                   | 3,46                                   | 14,7 | 4,25    | 17   | 5,15    | 18,2 | 5,67  | 19,4 | 6,18    | 21,7 | 7,36    | 24,1 | 8,6   |      |
| 43                                      | 12,3                                   | 3,74                                   | 14,7 | 4,55    | 17   | 5,37    | 18,2 | 5,98  | 19,4 | 6,36    | 21,7 | 7,63    | 24,1 | 8,87  |      |
| 45                                      | 12,3                                   | 3,82                                   | 14,7 | 4,64    | 17   | 5,48    | 18,2 | 6,07  | 19,4 | 6,67    | 21,7 | 8,04    | 24,1 | 9,21  |      |
| 60%                                     | -15                                    | 9,9                                    | 1,48 | 11,9    | 1,72 | 13,8    | 2,01 | 14,8  | 2,15 | 15,9    | 2,33 | 17,6    | 2,61 | 19,5  | 2,99 |
|   | -13                                    | 9,9                                    | 1,49 | 11,9    | 1,72 | 13,8    | 2,02 | 14,8  | 2,16 | 15,9    | 2,33 | 17,6    | 2,61 | 19,5  | 3    |
|   | -11                                    | 9,9                                    | 1,49 | 11,9    | 1,73 | 13,8    | 2,02 | 14,8  | 2,17 | 15,9    | 2,34 | 17,6    | 2,62 | 19,5  | 3    |
|   | -9                                     | 10,3                                   | 1,5  | 12,3    | 1,74 | 14,3    | 2,03 | 15,2  | 2,17 | 16,4    | 2,35 | 18,1    | 2,63 | 20    | 3,02 |
|   | -7                                     | 10,3                                   | 1,51 | 12,3    | 1,74 | 14,3    | 2,03 | 15,2  | 2,17 | 16,4    | 2,35 | 18,1    | 2,63 | 20    | 3,02 |
|   | -5                                     | 10,5                                   | 1,51 | 12,5    | 1,76 | 14,6    | 2,05 | 15,6  | 2,18 | 16,6    | 2,36 | 18,7    | 2,65 | 20,7  | 3,03 |
|   | -2                                     | 10,5                                   | 1,52 | 12,5    | 1,78 | 14,6    | 2,08 | 15,6  | 2,21 | 16,6    | 2,38 | 18,7    | 2,68 | 20,7  | 3,05 |
|   | 0                                      | 10,5                                   | 1,55 | 12,5    | 1,81 | 14,6    | 2,11 | 15,6  | 2,24 | 16,6    | 2,42 | 18,7    | 2,72 | 20,7  | 3,09 |
|   | 2                                      | 10,5                                   | 1,57 | 12,5    | 1,85 | 14,6    | 2,15 | 15,6  | 2,28 | 16,6    | 2,45 | 18,7    | 2,78 | 20,7  | 3,13 |
|   | 4                                      | 10,5                                   | 1,62 | 12,5    | 1,88 | 14,6    | 2,19 | 15,6  | 2,31 | 16,6    | 2,49 | 18,7    | 2,82 | 20,7  | 3,18 |
|   | 6                                      | 10,5                                   | 1,63 | 12,5    | 1,92 | 14,6    | 2,24 | 15,6  | 2,36 | 16,6    | 2,54 | 18,7    | 2,88 | 20,7  | 3,25 |
|   | 8                                      | 10,5                                   | 1,67 | 12,5    | 1,95 | 14,6    | 2,28 | 15,6  | 2,41 | 16,6    | 2,59 | 18,7    | 2,93 | 20,7  | 3,3  |
|   | 10                                     | 10,5                                   | 1,7  | 12,5    | 1,99 | 14,6    | 2,31 | 15,6  | 2,48 | 16,6    | 2,64 | 18,7    | 2,99 | 20,7  | 3,35 |
|   | 12                                     | 10,5                                   | 1,73 | 12,5    | 2,03 | 14,6    | 2,36 | 15,6  | 2,52 | 16,6    | 2,68 | 18,7    | 3,05 | 20,7  | 3,41 |
|   | 14                                     | 10,5                                   | 1,75 | 12,5    | 2,06 | 14,6    | 2,39 | 15,6  | 2,56 | 16,6    | 2,74 | 18,7    | 3,1  | 20,7  | 3,47 |
|   | 16                                     | 10,5                                   | 1,77 | 12,5    | 2,09 | 14,6    | 2,43 | 15,6  | 2,61 | 16,6    | 2,78 | 18,7    | 3,16 | 20,7  | 3,54 |
|   | 18                                     | 10,5                                   | 1,81 | 12,5    | 2,13 | 14,6    | 2,48 | 15,6  | 2,65 | 16,6    | 2,84 | 18,7    | 3,21 | 20,7  | 3,6  |
|   | 20                                     | 10,5                                   | 1,83 | 12,5    | 2,17 | 14,6    | 2,52 | 15,6  | 2,71 | 16,6    | 2,89 | 18,7    | 3,28 | 20,7  | 3,68 |
|   | 21                                     | 10,5                                   | 1,85 | 12,5    | 2,18 | 14,6    | 2,54 | 15,6  | 2,73 | 16,6    | 2,91 | 18,7    | 3,31 | 20,7  | 3,71 |
|   | 23                                     | 10,5                                   | 1,87 | 12,5    | 2,22 | 14,6    | 2,59 | 15,6  | 2,78 | 16,6    | 2,97 | 18,7    | 3,44 | 20,7  | 3,95 |
|   | 25                                     | 10,5                                   | 1,91 | 12,5    | 2,26 | 14,6    | 2,68 | 15,6  | 2,91 | 16,6    | 3,16 | 18,7    | 3,67 | 20,7  | 4,22 |
| 27                                      | 10,5                                   | 1,98                                   | 12,5 | 2,4     | 14,6 | 2,86    | 15,6 | 3,11  | 16,6 | 3,36    | 18,7 | 3,91    | 20,7 | 4,5   |      |
| 29                                      | 10,5                                   | 2,09                                   | 12,5 | 2,54    | 14,6 | 3,05    | 15,6 | 3,31  | 16,6 | 3,58    | 18,7 | 4,17    | 20,7 | 4,81  |      |
| 31                                      | 10,5                                   | 2,22                                   | 12,5 | 2,7     | 14,6 | 3,23    | 15,6 | 3,52  | 16,6 | 3,81    | 18,7 | 4,44    | 20,7 | 5,12  |      |
| 33                                      | 10,5                                   | 2,34                                   | 12,5 | 2,86    | 14,6 | 3,43    | 15,6 | 3,74  | 16,6 | 4,05    | 18,7 | 4,72    | 20,7 | 5,46  |      |
| 35                                      | 10,5                                   | 2,49                                   | 12,5 | 3,03    | 14,6 | 3,64    | 15,6 | 3,97  | 16,6 | 4,31    | 18,7 | 5,03    | 20,7 | 5,81  |      |
| 37                                      | 10,5                                   | 2,63                                   | 12,5 | 3,21    | 14,6 | 3,86    | 15,6 | 4,21  | 16,6 | 4,57    | 18,7 | 5,35    | 20,7 | 6,18  |      |
| 39                                      | 10,5                                   | 2,77                                   | 12,5 | 3,4     | 14,6 | 4,09    | 15,6 | 4,46  | 16,6 | 4,85    | 18,7 | 5,67    | 20,7 | 6,57  |      |
| 41                                      | 10,5                                   | 2,86                                   | 12,5 | 3,54    | 14,6 | 4,24    | 15,6 | 4,64  | 16,6 | 5,03    | 18,7 | 5,94    | 20,7 | 6,87  |      |
| 43                                      | 10,5                                   | 2,95                                   | 12,5 | 3,69    | 14,6 | 4,38    | 15,6 | 4,78  | 16,6 | 5,21    | 18,7 | 6,19    | 20,7 | 7,17  |      |
| 45                                      | 10,5                                   | 3,09                                   | 12,5 | 3,88    | 14,6 | 4,56    | 15,6 | 4,95  | 16,6 | 5,47    | 18,7 | 6,47    | 20,7 | 7,56  |      |

kWf = Cooling capacity [kW]

kWe = Compressor + Fan power input [kW]

DB=Dry bulb

WB=Wet bulb

# Performance in Cooling

## MSAN-XMi 260T

| Indoor/<br>Outdoor<br>Capacity<br>Ratio | Outdoor air<br>temperature<br>D.B.(°C) | Indoor air temperature D.B / W.B. (°C) |      |         |      |         |      |       |      |         |      |         |      |       |      |
|---|--|--|------|---------|------|---------|------|-------|------|---------|------|---------|------|-------|------|
|   |  | 20,8/14                                |      | 23,3/16 |      | 25,8/18 |      | 27/19 |      | 28,2/20 |      | 30,7/22 |      | 32/24 |      |
|   |  | kWf                                    | kWe  | kWf     | kWe  | kWf     | kWe  | kWf   | kWe  | kWf     | kWe  | kWf     | kWe  | kWf   | kWe  |
| 50%                                     | -15                                    | 8,3                                    | 1,29 | 9,9     | 1,49 | 11,5    | 1,71 | 12,3  | 1,81 | 13,2    | 1,91 | 14,6    | 2,16 | 16,2  | 2,33 |
|   | -13                                    | 8,3                                    | 1,29 | 9,9     | 1,49 | 11,5    | 1,73 | 12,3  | 1,81 | 13,2    | 1,91 | 14,6    | 2,17 | 16,2  | 2,34 |
|   | -11                                    | 8,3                                    | 1,29 | 9,9     | 1,5  | 11,5    | 1,73 | 12,3  | 1,82 | 13,2    | 1,92 | 14,6    | 2,17 | 16,2  | 2,34 |
|   | -9                                     | 8,6                                    | 1,3  | 10,3    | 1,51 | 11,9    | 1,74 | 12,6  | 1,82 | 13,6    | 1,92 | 15      | 2,19 | 16,7  | 2,35 |
|   | -7                                     | 8,6                                    | 1,31 | 10,3    | 1,51 | 11,9    | 1,74 | 12,6  | 1,82 | 13,6    | 1,93 | 15      | 2,19 | 16,7  | 2,36 |
|   | -5                                     | 8,8                                    | 1,32 | 10,5    | 1,52 | 12,2    | 1,75 | 13    | 1,83 | 13,8    | 1,93 | 15,5    | 2,2  | 17,3  | 2,37 |
|   | -2                                     | 8,8                                    | 1,33 | 10,5    | 1,55 | 12,2    | 1,77 | 13    | 1,85 | 13,8    | 1,97 | 15,5    | 2,22 | 17,3  | 2,4  |
|   | 0                                      | 8,8                                    | 1,35 | 10,5    | 1,58 | 12,2    | 1,8  | 13    | 1,88 | 13,8    | 1,99 | 15,5    | 2,26 | 17,3  | 2,44 |
|   | 2                                      | 8,8                                    | 1,37 | 10,5    | 1,6  | 12,2    | 1,83 | 13    | 1,91 | 13,8    | 2,02 | 15,5    | 2,27 | 17,3  | 2,49 |
|   | 4                                      | 8,8                                    | 1,38 | 10,5    | 1,62 | 12,2    | 1,85 | 13    | 1,93 | 13,8    | 2,06 | 15,5    | 2,33 | 17,3  | 2,55 |
|   | 6                                      | 8,8                                    | 1,41 | 10,5    | 1,65 | 12,2    | 1,88 | 13    | 1,98 | 13,8    | 2,1  | 15,5    | 2,36 | 17,3  | 2,63 |
|   | 8                                      | 8,8                                    | 1,44 | 10,5    | 1,68 | 12,2    | 1,91 | 13    | 2,02 | 13,8    | 2,13 | 15,5    | 2,4  | 17,3  | 2,71 |
|   | 10                                     | 8,8                                    | 1,47 | 10,5    | 1,7  | 12,2    | 1,94 | 13    | 2,05 | 13,8    | 2,19 | 15,5    | 2,47 | 17,3  | 2,75 |
|   | 12                                     | 8,8                                    | 1,48 | 10,5    | 1,72 | 12,2    | 1,97 | 13    | 2,09 | 13,8    | 2,23 | 15,5    | 2,51 | 17,3  | 2,79 |
|   | 14                                     | 8,8                                    | 1,5  | 10,5    | 1,74 | 12,2    | 1,99 | 13    | 2,14 | 13,8    | 2,27 | 15,5    | 2,55 | 17,3  | 2,85 |
|   | 16                                     | 8,8                                    | 1,52 | 10,5    | 1,76 | 12,2    | 2,03 | 13    | 2,17 | 13,8    | 2,3  | 15,5    | 2,6  | 17,3  | 2,89 |
|   | 18                                     | 8,8                                    | 1,54 | 10,5    | 1,8  | 12,2    | 2,06 | 13    | 2,2  | 13,8    | 2,34 | 15,5    | 2,64 | 17,3  | 2,95 |
|   | 20                                     | 8,8                                    | 1,57 | 10,5    | 1,82 | 12,2    | 2,09 | 13    | 2,23 | 13,8    | 2,39 | 15,5    | 2,68 | 17,3  | 3    |
|   | 21                                     | 8,8                                    | 1,58 | 10,5    | 1,84 | 12,2    | 2,11 | 13    | 2,26 | 13,8    | 2,41 | 15,5    | 2,72 | 17,3  | 3,03 |
|   | 23                                     | 8,8                                    | 1,6  | 10,5    | 1,86 | 12,2    | 2,15 | 13    | 2,3  | 13,8    | 2,45 | 15,5    | 2,76 | 17,3  | 3,1  |
|   | 25                                     | 8,8                                    | 1,62 | 10,5    | 1,9  | 12,2    | 2,19 | 13    | 2,34 | 13,8    | 2,53 | 15,5    | 2,9  | 17,3  | 3,31 |
| 27                                      | 8,8                                    | 1,65                                   | 10,5 | 1,97    | 12,2 | 2,31    | 13   | 2,5   | 13,8 | 2,68    | 15,5 | 3,09    | 17,3 | 3,53  |      |
| 29                                      | 8,8                                    | 1,74                                   | 10,5 | 2,08    | 12,2 | 2,45    | 13   | 2,65  | 13,8 | 2,86    | 15,5 | 3,29    | 17,3 | 3,76  |      |
| 31                                      | 8,8                                    | 1,84                                   | 10,5 | 2,2     | 12,2 | 2,6     | 13   | 2,82  | 13,8 | 3,03    | 15,5 | 3,49    | 17,3 | 4     |      |
| 33                                      | 8,8                                    | 1,95                                   | 10,5 | 2,33    | 12,2 | 2,76    | 13   | 2,98  | 13,8 | 3,22    | 15,5 | 3,71    | 17,3 | 4,25  |      |
| 35                                      | 8,8                                    | 2,06                                   | 10,5 | 2,47    | 12,2 | 2,91    | 13   | 3,16  | 13,8 | 3,41    | 15,5 | 3,94    | 17,3 | 4,51  |      |
| 37                                      | 8,8                                    | 2,17                                   | 10,5 | 2,61    | 12,2 | 3,09    | 13   | 3,34  | 13,8 | 3,62    | 15,5 | 4,19    | 17,3 | 4,8   |      |
| 39                                      | 8,8                                    | 2,29                                   | 10,5 | 2,75    | 12,2 | 3,26    | 13   | 3,54  | 13,8 | 3,83    | 15,5 | 4,44    | 17,3 | 5,09  |      |
| 41                                      | 8,8                                    | 2,38                                   | 10,5 | 2,87    | 12,2 | 3,38    | 13   | 3,7   | 13,8 | 4       | 15,5 | 4,67    | 17,3 | 5,33  |      |
| 43                                      | 8,8                                    | 2,54                                   | 10,5 | 3,07    | 12,2 | 3,5     | 13   | 3,87  | 13,8 | 4,1     | 15,5 | 4,91    | 17,3 | 5,57  |      |
| 45                                      | 8,8                                    | 2,6                                    | 10,5 | 3,14    | 12,2 | 3,74    | 13   | 4,17  | 13,8 | 4,28    | 15,5 | 5,38    | 17,3 | 6,04  |      |

kWf = Cooling capacity [kW]

kWe = Compressor + Fan power input [kW]

DB=Dry bulb

WB=Wet bulb

Notes:

It is recommended to have system with Indoor/Outdoor Capacity Ratio less than 130%

Avoid running the unit in cooling mode when outdoor air temperature is above 43°C DB

The above capacity tables show the average values in operating conditions

# Performance in Cooling

## MSAN-XMi 400T

| Indoor/<br>Outdoor<br>Capacity<br>Ratio | Outdoor air<br>temperature<br>D.B.(°C) | Indoor air temperature D.B / W.B. (°C) |       |         |       |         |       |       |       |         |       |         |       |       |       |
|---|--|--|-------|---------|-------|---------|-------|-------|-------|---------|-------|---------|-------|-------|-------|
|   |  | 20,8/14                                |       | 23,3/16 |       | 25,8/18 |       | 27/19 |       | 28,2/20 |       | 30,7/22 |       | 32/24 |       |
|   |  | kWf                                    | kWe   | kWf     | kWe   | kWf     | kWe   | kWf   | kWe   | kWf     | kWe   | kWf     | kWe   | kWf   | kWe   |
| 130%                                    | -15                                    | 33,4                                   | 6,04  | 39,6    | 7,37  | 46,1    | 7,91  | 47,8  | 8,28  | 50,3    | 8,56  | 51,2    | 9,27  | 52,4  | 9,28  |
|   | -13                                    | 33,4                                   | 6,07  | 39,6    | 7,37  | 46,1    | 7,98  | 47,8  | 8,31  | 50,3    | 8,56  | 51,2    | 9,28  | 52,4  | 9,36  |
|   | -11                                    | 33,4                                   | 6,07  | 39,6    | 7,42  | 46,1    | 7,98  | 47,8  | 8,34  | 50,3    | 8,58  | 51,2    | 9,3   | 52,4  | 9,36  |
|   | -9                                     | 34,4                                   | 6,11  | 41      | 7,48  | 47,6    | 8,01  | 49,1  | 8,38  | 52,1    | 8,61  | 52,6    | 9,36  | 53,7  | 9,43  |
|   | -7                                     | 34,4                                   | 6,16  | 41      | 7,48  | 47,6    | 8,01  | 49,1  | 8,4   | 52,1    | 8,61  | 52,6    | 9,36  | 53,7  | 9,44  |
|   | -5                                     | 35,1                                   | 6,17  | 41,9    | 7,53  | 48,6    | 8,07  | 50,4  | 8,4   | 52,9    | 8,64  | 54,1    | 9,39  | 55,5  | 9,45  |
|   | -2                                     | 35,1                                   | 6,17  | 41,9    | 7,68  | 48,6    | 8,07  | 50,4  | 8,45  | 52,9    | 8,64  | 54,1    | 9,51  | 55,5  | 9,55  |
|   | 0                                      | 35,1                                   | 6,27  | 41,9    | 7,81  | 48,6    | 8,37  | 50,4  | 8,91  | 52,9    | 9,14  | 54,1    | 9,63  | 55,5  | 9,67  |
|   | 2                                      | 35,1                                   | 6,39  | 41,9    | 7,82  | 48,6    | 8,65  | 50,4  | 9,41  | 52,9    | 9,24  | 54,1    | 9,7   | 55,5  | 9,82  |
|   | 4                                      | 35,1                                   | 6,53  | 41,9    | 7,98  | 48,6    | 8,95  | 50,4  | 9,45  | 52,9    | 9,36  | 54,1    | 9,85  | 55,5  | 10    |
|   | 6                                      | 35,1                                   | 6,66  | 41,9    | 8,14  | 48,6    | 9,28  | 50,4  | 9,53  | 52,3    | 9,66  | 53,5    | 10    | 54,9  | 10,08 |
|   | 8                                      | 35,1                                   | 6,81  | 41,9    | 8,32  | 48,6    | 9,75  | 50,4  | 10    | 51,6    | 9,97  | 52,9    | 10,03 | 54,2  | 10,18 |
|   | 10                                     | 35,1                                   | 6,96  | 41,9    | 8,5   | 48,6    | 10,11 | 50,4  | 10,33 | 51      | 10,16 | 52,3    | 10,18 | 53,6  | 10,47 |
|   | 12                                     | 35,1                                   | 7,08  | 41,9    | 8,66  | 48,6    | 10,31 | 49,7  | 10,49 | 50,4    | 10,31 | 51,6    | 10,34 | 52,9  | 10,54 |
|   | 14                                     | 35,1                                   | 7,22  | 41,9    | 8,83  | 48,4    | 10,46 | 49,1  | 10,64 | 49,7    | 10,46 | 51      | 10,49 | 52,3  | 10,77 |
|   | 16                                     | 35,1                                   | 7,34  | 41,9    | 9,01  | 47,9    | 10,62 | 48,4  | 10,78 | 49      | 10,77 | 50,3    | 10,65 | 51,6  | 10,94 |
|   | 18                                     | 35,1                                   | 7,48  | 41,9    | 9,19  | 47,1    | 10,78 | 47,7  | 10,84 | 48,4    | 10,9  | 49,7    | 11    | 51    | 11,11 |
|   | 20                                     | 35,1                                   | 7,65  | 41,9    | 9,78  | 46,4    | 11,31 | 47,1  | 11,37 | 47,7    | 11,43 | 49      | 11,53 | 50,3  | 11,65 |
|   | 21                                     | 35,1                                   | 7,85  | 41,9    | 10,13 | 46,1    | 11,57 | 46,9  | 11,63 | 47,4    | 11,7  | 48,7    | 11,82 | 50    | 11,92 |
|   | 23                                     | 35,1                                   | 8,42  | 41,9    | 10,86 | 45,6    | 12,1  | 46,1  | 12,16 | 46,7    | 12,22 | 48      | 12,34 | 49,3  | 12,47 |
|   | 25                                     | 35,1                                   | 8,99  | 41,9    | 11,63 | 44,9    | 12,63 | 45,4  | 12,69 | 46,1    | 12,77 | 47,4    | 12,89 | 48,7  | 13,02 |
|   | 27                                     | 35,1                                   | 9,6   | 41,9    | 12,45 | 44,3    | 13,16 | 44,9  | 13,24 | 45,4    | 13,3  | 46,7    | 13,44 | 48    | 13,59 |
|   | 29                                     | 35,1                                   | 10,25 | 41,9    | 13,3  | 43,6    | 13,69 | 44,1  | 13,77 | 44,9    | 13,85 | 46,1    | 13,99 | 47,4  | 14,14 |
|   | 31                                     | 35,1                                   | 10,94 | 41,7    | 14,07 | 42,9    | 14,24 | 43,6  | 14,32 | 44,1    | 14,38 | 45,4    | 14,54 | 46,7  | 14,71 |
|   | 33                                     | 35,1                                   | 11,65 | 41      | 14,6  | 42,3    | 14,77 | 42,9  | 14,85 | 43,6    | 14,93 | 44,9    | 15,09 | 46    | 15,25 |
| 35                                      | 35,1                                   | 12,43                                  | 40,3  | 15,13   | 41,6  | 15,31   | 42,3  | 15,4  | 42,9  | 15,48   | 44,1  | 15,66   | 45,4  | 15,82 |       |
| 37                                      | 35,1                                   | 13,22                                  | 39,7  | 15,68   | 41    | 15,86   | 41,6  | 15,95 | 42,3  | 16,05   | 43,4  | 16,23   | 44,7  | 16,41 |       |
| 39                                      | 35,1                                   | 14,07                                  | 39    | 15,84   | 40,3  | 16,39   | 41    | 16,49 | 41,6  | 16,6    | 42,9  | 16,78   | 44,1  | 16,98 |       |
| 41                                      | 35,1                                   | 14,81                                  | 38,6  | 16      | 39,9  | 16,55   | 40,6  | 16,65 | 41,1  | 16,75   | 42,4  | 16,81   | 42,4  | 17,14 |       |
| 43                                      | 35,1                                   | 15,19                                  | 38,3  | 16,08   | 39,6  | 16,59   | 40,4  | 16,73 | 40,7  | 16,77   | 41,7  | 16,84   | 41,9  | 17,17 |       |
| 45                                      | 35,1                                   | 15,94                                  | 38,1  | 16,23   | 39,2  | 16,75   | 39,9  | 16,83 | 40,1  | 16,85   | 40,5  | 16,91   | 41,1  | 17,5  |       |
| 120%                                    | -15                                    | 30,6                                   | 5,83  | 36,5    | 7,07  | 42,5    | 8,37  | 45,5  | 9,18  | 48      | 9,61  | 48,4    | 9,86  | 49,4  | 10,11 |
|   | -13                                    | 30,6                                   | 5,86  | 36,5    | 7,07  | 42,5    | 8,42  | 45,5  | 9,21  | 48      | 9,61  | 48,4    | 9,89  | 49,4  | 10,17 |
|   | -11                                    | 30,6                                   | 5,86  | 36,5    | 7,11  | 42,5    | 8,42  | 45,5  | 9,24  | 48      | 9,64  | 48,4    | 9,91  | 49,4  | 10,17 |
|   | -9                                     | 31,7                                   | 5,9   | 37,8    | 7,16  | 44      | 8,47  | 46,6  | 9,26  | 49,5    | 9,67  | 49,8    | 9,97  | 50,8  | 10,22 |
|   | -7                                     | 31,7                                   | 5,95  | 37,8    | 7,16  | 44      | 8,47  | 46,6  | 9,26  | 49,5    | 9,68  | 49,8    | 9,97  | 50,8  | 10,25 |
|   | -5                                     | 32,4                                   | 5,96  | 38,6    | 7,22  | 44,9    | 8,53  | 48    | 9,31  | 50,3    | 9,7   | 51,4    | 10,01 | 52,6  | 10,28 |
|   | -2                                     | 32,4                                   | 6,02  | 38,6    | 7,29  | 44,9    | 8,62  | 48    | 9,36  | 50,3    | 9,82  | 51,4    | 10,09 | 52,6  | 10,31 |
|   | 0                                      | 32,4                                   | 6,07  | 38,6    | 7,34  | 44,9    | 8,72  | 48    | 9,38  | 50,3    | 9,9   | 51,4    | 10,16 | 52,6  | 10,33 |
|   | 2                                      | 32,4                                   | 6,09  | 38,6    | 7,42  | 44,9    | 8,78  | 48    | 9,47  | 50,3    | 9,94  | 51,4    | 10,23 | 52,6  | 10,35 |
|   | 4                                      | 32,4                                   | 6,15  | 38,6    | 7,51  | 44,9    | 8,9   | 48    | 9,56  | 50,3    | 10,07 | 51,4    | 10,25 | 52,6  | 10,38 |
|   | 6                                      | 32,4                                   | 6,21  | 38,6    | 7,57  | 44,9    | 9,01  | 48    | 9,67  | 50,3    | 10,18 | 51,4    | 10,34 | 52,6  | 10,42 |
|   | 8                                      | 32,4                                   | 6,27  | 38,6    | 7,65  | 44,9    | 9,13  | 48    | 9,79  | 50,3    | 10,29 | 51,4    | 10,37 | 52,6  | 10,47 |
|   | 10                                     | 32,4                                   | 6,35  | 38,6    | 7,75  | 44,9    | 9,21  | 48    | 9,97  | 50,3    | 10,29 | 51,4    | 10,4  | 52,6  | 10,51 |
|   | 12                                     | 32,4                                   | 6,47  | 38,6    | 7,89  | 44,9    | 9,39  | 48    | 10,15 | 49,6    | 10,34 | 50,7    | 10,34 | 51,9  | 10,58 |
|   | 14                                     | 32,4                                   | 6,59  | 38,6    | 8,05  | 44,9    | 9,58  | 48    | 10,35 | 48,9    | 10,4  | 50,1    | 10,5  | 51,3  | 10,71 |
|   | 16                                     | 32,4                                   | 6,71  | 38,6    | 8,22  | 44,9    | 9,76  | 47,7  | 4,1   | 48,3    | 10,55 | 49,4    | 10,68 | 50,6  | 10,87 |
|   | 18                                     | 32,4                                   | 6,83  | 38,6    | 8,38  | 44,9    | 10,09 | 47    | 10,78 | 47,6    | 10,82 | 48,7    | 10,92 | 50    | 11,02 |
|   | 20                                     | 32,4                                   | 6,98  | 38,6    | 8,7   | 44,9    | 10,86 | 46,4  | 11,31 | 47      | 11,35 | 48,1    | 11,45 | 49,3  | 11,55 |
|   | 21                                     | 32,4                                   | 7,04  | 38,6    | 9,01  | 44,9    | 11,25 | 46    | 11,57 | 46,6    | 11,61 | 47,9    | 11,71 | 49    | 11,84 |
|   | 23                                     | 32,4                                   | 7,52  | 38,6    | 9,66  | 44,9    | 12,04 | 45,4  | 12,08 | 46      | 12,14 | 47,1    | 12,26 | 48,3  | 12,36 |
|   | 25                                     | 32,4                                   | 8,03  | 38,6    | 10,33 | 44,1    | 12,57 | 44,7  | 12,61 | 45,3    | 12,67 | 46,6    | 12,79 | 47,7  | 12,91 |
|   | 27                                     | 32,4                                   | 8,58  | 38,6    | 11,04 | 43,6    | 13,08 | 44,1  | 13,16 | 44,7    | 13,22 | 45,9    | 13,34 | 47    | 13,46 |
|   | 29                                     | 32,4                                   | 9,15  | 38,6    | 11,8  | 42,9    | 13,61 | 43,4  | 13,69 | 44      | 13,75 | 45,1    | 13,89 | 46,4  | 14,01 |
|   | 31                                     | 32,4                                   | 9,76  | 38,6    | 12,59 | 42,1    | 14,15 | 42,9  | 14,22 | 43,4    | 14,3  | 44,6    | 14,44 | 45,7  | 14,58 |
|   | 33                                     | 32,4                                   | 10,39 | 38,6    | 13,42 | 41,6    | 14,68 | 42,1  | 14,76 | 42,7    | 14,83 | 43,9    | 14,99 | 45    | 15,13 |
| 35                                      | 32,4                                   | 11,06                                  | 38,6  | 14,32   | 40,9  | 15,21   | 41,4  | 15,29 | 42,1  | 15,37   | 43,3  | 15,54   | 44,4  | 15,7  |       |
| 37                                      | 32,4                                   | 11,77                                  | 38,6  | 15,25   | 40,3  | 15,76   | 40,9  | 15,84 | 41,4  | 15,92   | 42,6  | 16,09   | 43,7  | 16,27 |       |
| 39                                      | 32,4                                   | 12,53                                  | 38,4  | 16,11   | 39,6  | 16,29   | 40,1  | 16,39 | 40,7  | 16,47   | 42    | 16,66   | 43,1  | 16,82 |       |
| 41                                      | 32,4                                   | 12,87                                  | 38,1  | 16,22   | 39,3  | 16,41   | 39,8  | 16,51 | 40,4  | 16,59   | 41,7  | 16,7    | 41,9  | 16,94 |       |
| 43                                      | 32,4                                   | 13,06                                  | 37,9  | 16,34   | 39    | 16,5    | 39,5  | 16,57 | 40,1  | 16,65   | 41    | 16,75   | 41,3  | 17,28 |       |
| 45                                      | 32,4                                   | 13,22                                  | 37,7  | 16,49   | 38,6  | 16,66   | 39,1  | 16,73 | 39,7  | 16,78   | 40,1  | 16,8    | 40,8  | 17,66 |       |

kWf = Cooling capacity [kW]

kWe = Compressor + Fan power input [kW]

DB=Dry bulb

WB=Wet bulb

# Performance in Cooling

## MSAN-XMi 400T

| Indoor/<br>Outdoor<br>Capacity<br>Ratio | Outdoor air<br>temperature<br>D.B.(°C) | Indoor air temperature D.B / W.B. (°C) |      |         |      |         |       |       |       |         |       |         |       |       |       |
|---|--|--|------|---------|------|---------|-------|-------|-------|---------|-------|---------|-------|-------|-------|
|   |  | 20,8/14                                |      | 23,3/16 |      | 25,8/18 |       | 27/19 |       | 28,2/20 |       | 30,7/22 |       | 32/24 |       |
|   |  | kWf                                    | kWe  | kWf     | kWe  | kWf     | kWe   | kWf   | kWe   | kWf     | kWe   | kWf     | kWe   | kWf   | kWe   |
| 110%                                    | -15                                    | 28,1                                   | 5,09 | 33,5    | 6,34 | 39      | 7,58  | 41,7  | 8,18  | 44,7    | 8,84  | 47,5    | 9,13  | 48,5  | 9,4   |
|   | -13                                    | 28,1                                   | 5,11 | 33,5    | 6,34 | 39      | 7,63  | 41,7  | 8,21  | 44,7    | 8,84  | 47,5    | 9,16  | 48,5  | 9,45  |
|   | -11                                    | 28,1                                   | 5,11 | 33,5    | 6,38 | 39      | 7,63  | 41,7  | 8,23  | 44,7    | 8,87  | 47,5    | 9,18  | 48,5  | 9,45  |
|   | -9                                     | 29,1                                   | 5,15 | 34,7    | 6,43 | 40,3    | 7,68  | 42,8  | 8,26  | 46,1    | 8,9   | 48,8    | 9,23  | 49,8  | 9,5   |
|   | -7                                     | 29,1                                   | 5,2  | 34,7    | 6,43 | 40,3    | 7,68  | 42,8  | 8,26  | 46,1    | 8,91  | 48,8    | 9,23  | 49,8  | 9,53  |
|   | -5                                     | 29,7                                   | 5,2  | 35,4    | 6,48 | 41,1    | 7,73  | 44    | 8,3   | 46,9    | 8,93  | 50,4    | 9,27  | 51,6  | 9,56  |
|   | -2                                     | 29,7                                   | 5,3  | 35,4    | 6,56 | 41,1    | 7,79  | 44    | 8,38  | 46,9    | 9     | 50,4    | 9,36  | 51,6  | 9,61  |
|   | 0                                      | 29,7                                   | 5,36 | 35,4    | 6,6  | 41,1    | 7,85  | 44    | 8,43  | 46,9    | 9,1   | 50,4    | 9,45  | 51,6  | 9,72  |
|   | 2                                      | 29,7                                   | 5,47 | 35,4    | 6,66 | 41,1    | 7,98  | 44    | 8,52  | 46,9    | 9,19  | 50,4    | 9,59  | 51,6  | 9,84  |
|   | 4                                      | 29,7                                   | 5,58 | 35,4    | 6,74 | 41,1    | 8,05  | 44    | 8,63  | 46,9    | 9,33  | 50,4    | 9,72  | 51,6  | 9,94  |
|   | 6                                      | 29,7                                   | 5,64 | 35,4    | 6,81 | 41,1    | 8,13  | 44    | 8,77  | 46,9    | 9,44  | 50,4    | 9,83  | 51,6  | 10,09 |
|   | 8                                      | 29,7                                   | 5,69 | 35,4    | 6,92 | 41,1    | 8,22  | 44    | 8,86  | 46,9    | 9,55  | 50,4    | 9,89  | 51,6  | 10,19 |
|   | 10                                     | 29,7                                   | 5,75 | 35,4    | 7,02 | 41,1    | 8,34  | 44    | 9,01  | 46,9    | 9,7   | 50,4    | 9,96  | 51,6  | 10,28 |
|   | 12                                     | 29,7                                   | 5,88 | 35,4    | 7,16 | 41,1    | 8,5   | 44    | 9,19  | 46,9    | 9,88  | 49,9    | 10,11 | 50,9  | 10,42 |
|   | 14                                     | 29,7                                   | 5,98 | 35,4    | 7,28 | 41,1    | 8,66  | 44    | 9,36  | 46,9    | 10,07 | 49,1    | 10,19 | 50,3  | 10,49 |
|   | 16                                     | 29,7                                   | 6,08 | 35,4    | 7,42 | 41,1    | 8,83  | 44    | 9,54  | 46,9    | 10,27 | 48,6    | 10,31 | 49,6  | 10,6  |
|   | 18                                     | 29,7                                   | 6,2  | 35,4    | 7,57 | 41,1    | 9,01  | 44    | 9,8   | 46,9    | 10,76 | 47,9    | 10,84 | 49    | 10,94 |
|   | 20                                     | 29,7                                   | 6,32 | 35,4    | 7,73 | 41,1    | 9,54  | 44    | 10,53 | 46,1    | 11,29 | 47,3    | 11,37 | 48,3  | 11,47 |
|   | 21                                     | 29,7                                   | 6,39 | 35,4    | 7,95 | 41,1    | 9,88  | 44    | 10,92 | 45,9    | 11,55 | 46,9    | 11,63 | 48    | 11,73 |
|   | 23                                     | 29,7                                   | 6,69 | 35,4    | 8,52 | 41,1    | 10,6  | 44    | 11,72 | 45,1    | 12,06 | 46,3    | 12,18 | 47,3  | 12,28 |
|   | 25                                     | 29,7                                   | 7,14 | 35,4    | 9,11 | 41,1    | 11,33 | 44    | 12,55 | 44,6    | 12,59 | 45,6    | 12,71 | 46,7  | 12,81 |
| 27                                      | 29,7                                   | 7,61                                   | 35,4 | 9,74    | 41,1 | 12,12   | 43,3  | 13,08 | 43,9  | 13,12   | 45    | 13,24   | 46    | 13,36 |       |
| 29                                      | 29,7                                   | 8,11                                   | 35,4 | 10,39   | 41,1 | 12,95   | 42,7  | 13,61 | 43,3  | 13,67   | 44,3  | 13,79   | 45,4  | 13,91 |       |
| 31                                      | 29,7                                   | 8,64                                   | 35,4 | 11,08   | 41,1 | 13,83   | 42    | 14,14 | 42,6  | 14,2    | 43,7  | 14,32   | 44,7  | 14,46 |       |
| 33                                      | 29,7                                   | 9,19                                   | 35,4 | 11,82   | 40,9 | 14,58   | 41,4  | 14,66 | 42    | 14,72   | 43    | 14,87   | 44,1  | 15,01 |       |
| 35                                      | 29,7                                   | 9,78                                   | 35,4 | 12,59   | 40,1 | 15,11   | 40,7  | 15,19 | 41,3  | 15,27   | 42,3  | 15,42   | 43,4  | 15,56 |       |
| 37                                      | 29,7                                   | 10,41                                  | 35,4 | 13,4    | 39,6 | 15,66   | 40,1  | 15,72 | 40,6  | 15,8    | 41,7  | 15,97   | 42,7  | 16,11 |       |
| 39                                      | 29,7                                   | 11,06                                  | 35,4 | 14,28   | 38,9 | 16,19   | 39,4  | 16,27 | 40    | 16,35   | 41    | 16,51   | 42,1  | 16,68 |       |
| 41                                      | 29,7                                   | 11,18                                  | 35,4 | 14,39   | 38,6 | 16,3    | 39,1  | 16,39 | 39,7  | 16,47   | 40,5  | 16,63   | 40,9  | 16,79 |       |
| 43                                      | 29,7                                   | 11,29                                  | 35,4 | 14,58   | 38,2 | 16,42   | 38,8  | 16,5  | 39,4  | 16,58   | 40,1  | 16,69   | 40,2  | 17,13 |       |
| 45                                      | 29,7                                   | 11,66                                  | 35,4 | 14,66   | 37,9 | 16,57   | 38,4  | 16,7  | 39    | 16,73   | 39,7  | 17,14   | 39,9  | 17,53 |       |
| 100%                                    | -15                                    | 25,5                                   | 4,64 | 30,4    | 5,59 | 35,4    | 6,66  | 37,9  | 7,18  | 40,6    | 7,82  | 45,1    | 8,86  | 47,6  | 9,24  |
|   | -13                                    | 25,5                                   | 4,66 | 30,4    | 5,59 | 35,4    | 6,7   | 37,9  | 7,2   | 40,6    | 7,82  | 45,1    | 8,88  | 47,6  | 9,29  |
|   | -11                                    | 25,5                                   | 4,66 | 30,4    | 5,62 | 35,4    | 6,7   | 37,9  | 7,22  | 40,6    | 7,84  | 45,1    | 8,91  | 47,6  | 9,29  |
|   | -9                                     | 26,4                                   | 4,69 | 31,5    | 5,66 | 36,7    | 6,74  | 38,9  | 7,24  | 41,9    | 7,87  | 46,3    | 8,95  | 48,8  | 9,33  |
|   | -7                                     | 26,4                                   | 4,73 | 31,5    | 5,66 | 36,7    | 6,74  | 38,9  | 7,24  | 41,9    | 7,88  | 46,3    | 8,95  | 48,8  | 9,36  |
|   | -5                                     | 27                                     | 4,74 | 32,1    | 5,7  | 37,4    | 6,79  | 40    | 7,27  | 42,6    | 7,89  | 47,9    | 8,99  | 50,6  | 9,39  |
|   | -2                                     | 27                                     | 4,8  | 32,1    | 5,78 | 37,4    | 6,87  | 40    | 7,41  | 42,6    | 8     | 47,9    | 9,1   | 50,6  | 9,45  |
|   | 0                                      | 27                                     | 4,84 | 32,1    | 5,84 | 37,4    | 6,94  | 40    | 7,5   | 42,6    | 8,07  | 47,9    | 9,25  | 50,6  | 9,55  |
|   | 2                                      | 27                                     | 4,94 | 32,1    | 5,92 | 37,4    | 7,02  | 40    | 7,6   | 42,6    | 8,16  | 47,9    | 9,39  | 50,6  | 9,7   |
|   | 4                                      | 27                                     | 4,98 | 32,1    | 5,98 | 37,4    | 7,12  | 40    | 7,71  | 42,6    | 8,27  | 47,9    | 9,48  | 50,6  | 9,81  |
|   | 6                                      | 27                                     | 5,05 | 32,1    | 6,1  | 37,4    | 7,21  | 40    | 7,85  | 42,6    | 8,39  | 47,9    | 9,61  | 50,6  | 9,96  |
|   | 8                                      | 27                                     | 5,15 | 32,1    | 6,19 | 37,4    | 7,35  | 40    | 7,94  | 42,6    | 8,53  | 47,9    | 9,76  | 50,6  | 10,13 |
|   | 10                                     | 27                                     | 5,21 | 32,1    | 6,3  | 37,4    | 7,46  | 40    | 8,07  | 42,6    | 8,68  | 47,9    | 9,92  | 50,6  | 10,27 |
|   | 12                                     | 27                                     | 5,29 | 32,1    | 6,43 | 37,4    | 7,61  | 40    | 8,22  | 42,6    | 8,85  | 47,9    | 10,11 | 49,9  | 10,35 |
|   | 14                                     | 27                                     | 5,39 | 32,1    | 6,55 | 37,4    | 7,75  | 40    | 8,38  | 42,6    | 9,01  | 47,9    | 10,31 | 49,3  | 10,48 |
|   | 16                                     | 27                                     | 5,49 | 32,1    | 6,67 | 37,4    | 7,91  | 40    | 8,54  | 42,6    | 9,19  | 47,6    | 10,43 | 48,6  | 10,6  |
|   | 18                                     | 27                                     | 5,59 | 32,1    | 6,79 | 37,4    | 8,05  | 40    | 8,7   | 42,6    | 9,38  | 47      | 10,78 | 48    | 10,86 |
|   | 20                                     | 27                                     | 5,69 | 32,1    | 6,94 | 37,4    | 8,3   | 40    | 9,15  | 42,6    | 10,05 | 46,3    | 11,29 | 47,3  | 11,39 |
|   | 21                                     | 27                                     | 5,76 | 32,1    | 7    | 37,4    | 8,6   | 40    | 9,48  | 42,6    | 10,39 | 46      | 11,55 | 47    | 11,65 |
|   | 23                                     | 27                                     | 5,9  | 32,1    | 7,46 | 37,4    | 9,21  | 40    | 10,15 | 42,6    | 11,14 | 45,4    | 12,08 | 46,3  | 12,18 |
|   | 25                                     | 27                                     | 6,28 | 32,1    | 7,97 | 37,4    | 9,86  | 40    | 10,88 | 42,6    | 11,94 | 44,7    | 12,61 | 45,7  | 12,71 |
| 27                                      | 27                                     | 6,71                                   | 32,1 | 8,5     | 37,4 | 10,53   | 40    | 11,63 | 42,6  | 12,77   | 44    | 13,14   | 45    | 13,26 |       |
| 29                                      | 27                                     | 7,14                                   | 32,1 | 9,07    | 37,4 | 11,25   | 40    | 12,43 | 42,4  | 13,56   | 43,4  | 13,69   | 44,4  | 13,79 |       |
| 31                                      | 27                                     | 7,61                                   | 32,1 | 9,68    | 37,4 | 12      | 40    | 13,26 | 41,9  | 14,09   | 42,7  | 14,21   | 43,7  | 14,34 |       |
| 33                                      | 27                                     | 8,07                                   | 32,1 | 10,31   | 37,4 | 12,79   | 40    | 14,15 | 41,1  | 14,62   | 42,1  | 14,74   | 43,1  | 14,89 |       |
| 35                                      | 27                                     | 8,58                                   | 32,1 | 10,96   | 37,4 | 13,65   | 40    | 15,09 | 40,4  | 15,15   | 41,4  | 15,29   | 42,4  | 15,42 |       |
| 37                                      | 27                                     | 9,13                                   | 32,1 | 11,67   | 37,4 | 14,54   | 39,3  | 15,62 | 39,9  | 15,7    | 40,9  | 15,84   | 41,7  | 15,97 |       |
| 39                                      | 27                                     | 9,7                                    | 32,1 | 12,41   | 37,4 | 15,48   | 38,7  | 16,15 | 39,1  | 16,23   | 40,1  | 16,37   | 41,1  | 16,53 |       |
| 41                                      | 27                                     | 10,15                                  | 32,1 | 12,86   | 37,4 | 16,04   | 38,1  | 16,26 | 38,8  | 16,48   | 39,4  | 16,76   | 40,5  | 16,87 |       |
| 43                                      | 27                                     | 10,61                                  | 32,1 | 13,31   | 37,4 | 16,34   | 37,5  | 16,45 | 38,6  | 16,64   | 39,7  | 16,87   | 39,8  | 17,06 |       |
| 45                                      | 27                                     | 11,21                                  | 32,1 | 13,91   | 37,4 | 16,62   | 36,7  | 16,68 | 38,4  | 16,94   | 39,3  | 17,13   | 39    | 17,29 |       |

kWf = Cooling capacity [kW]

kWe = Compressor + Fan power input [kW]

DB=Dry bulb

WB=Wet bulb

# Performance in Cooling

## MSAN-XMi 400T

| Indoor/<br>Outdoor<br>Capacity<br>Ratio | Outdoor air<br>temperature<br>D.B.(°C) | Indoor air temperature D.B / W.B. (°C) |      |         |      |         |      |       |      |         |       |         |       |       |       |
|---|--|--|------|---------|------|---------|------|-------|------|---------|-------|---------|-------|-------|-------|
|   |  | 20,8/14                                |      | 23,3/16 |      | 25,8/18 |      | 27/19 |      | 28,2/20 |       | 30,7/22 |       | 32/24 |       |
|   |  | kWf                                    | kWe  | kWf     | kWe  | kWf     | kWe  | kWf   | kWe  | kWf     | kWe   | kWf     | kWe   | kWf   | kWe   |
| 90%                                     | -15                                    | 22,9                                   | 4,1  | 27,4    | 4,92 | 31,9    | 5,82 | 34,1  | 6,39 | 36,5    | 6,82  | 40,5    | 7,8   | 44,9  | 8,92  |
|   | -13                                    | 22,9                                   | 4,12 | 27,4    | 4,92 | 31,9    | 5,85 | 34,1  | 6,41 | 36,5    | 6,82  | 40,5    | 7,82  | 44,9  | 8,97  |
|   | -11                                    | 22,9                                   | 4,12 | 27,4    | 4,96 | 31,9    | 5,85 | 34,1  | 6,42 | 36,5    | 6,84  | 40,5    | 7,84  | 44,9  | 8,97  |
|   | -9                                     | 23,8                                   | 4,15 | 28,4    | 4,99 | 33      | 5,89 | 35    | 6,44 | 37,7    | 6,86  | 41,6    | 7,88  | 46,1  | 9,02  |
|   | -7                                     | 23,8                                   | 4,18 | 28,4    | 4,99 | 33      | 5,89 | 35    | 6,44 | 37,7    | 6,87  | 41,6    | 7,88  | 46,1  | 9,04  |
|   | -5                                     | 24,3                                   | 4,19 | 29      | 5,03 | 33,7    | 5,93 | 36    | 6,47 | 38,3    | 6,88  | 43      | 7,92  | 47,7  | 9,06  |
|   | -2                                     | 24,3                                   | 4,23 | 29      | 5,08 | 33,7    | 6,01 | 36    | 6,56 | 38,3    | 6,97  | 43      | 7,99  | 47,7  | 9,15  |
|   | 0                                      | 24,3                                   | 4,29 | 29      | 5,14 | 33,7    | 6,1  | 36    | 6,64 | 38,3    | 7,06  | 43      | 8,08  | 47,7  | 9,22  |
|   | 2                                      | 24,3                                   | 4,36 | 29      | 5,21 | 33,7    | 6,16 | 36    | 6,74 | 38,3    | 7,17  | 43      | 8,25  | 47,7  | 9,36  |
|   | 4                                      | 24,3                                   | 4,42 | 29      | 5,29 | 33,7    | 6,27 | 36    | 6,83 | 38,3    | 7,26  | 43      | 8,38  | 47,7  | 9,5   |
|   | 6                                      | 24,3                                   | 4,48 | 29      | 5,39 | 33,7    | 6,38 | 36    | 6,96 | 38,3    | 7,39  | 43      | 8,51  | 47,7  | 9,66  |
|   | 8                                      | 24,3                                   | 4,57 | 29      | 5,49 | 33,7    | 6,51 | 36    | 7,05 | 38,3    | 7,52  | 43      | 8,67  | 47,7  | 9,75  |
|   | 10                                     | 24,3                                   | 4,66 | 29      | 5,61 | 33,7    | 6,63 | 36    | 7,16 | 38,3    | 7,69  | 43      | 8,78  | 47,7  | 9,9   |
|   | 12                                     | 24,3                                   | 4,74 | 29      | 5,71 | 33,7    | 6,75 | 36    | 7,28 | 38,3    | 7,83  | 43      | 8,95  | 47,7  | 10,09 |
|   | 14                                     | 24,3                                   | 4,82 | 29      | 5,82 | 33,7    | 6,87 | 36    | 7,42 | 38,3    | 7,97  | 43      | 9,11  | 47,7  | 10,27 |
|   | 16                                     | 24,3                                   | 4,9  | 29      | 5,92 | 33,7    | 7,02 | 36    | 7,57 | 38,3    | 8,13  | 43      | 9,29  | 47,6  | 10,45 |
|   | 18                                     | 24,3                                   | 4,98 | 29      | 6,04 | 33,7    | 7,14 | 36    | 7,71 | 38,3    | 8,3   | 43      | 9,48  | 47    | 10,78 |
|   | 20                                     | 24,3                                   | 5,08 | 29      | 6,18 | 33,7    | 7,28 | 36    | 7,87 | 38,3    | 8,6   | 43      | 10,19 | 46,3  | 11,29 |
|   | 21                                     | 24,3                                   | 5,12 | 29      | 6,22 | 33,7    | 7,4  | 36    | 8,13 | 38,3    | 8,91  | 43      | 10,55 | 46    | 11,55 |
|   | 23                                     | 24,3                                   | 5,23 | 29      | 6,47 | 33,7    | 7,93 | 36    | 8,72 | 38,3    | 9,56  | 43      | 11,33 | 45,3  | 12,08 |
|   | 25                                     | 24,3                                   | 5,51 | 29      | 6,91 | 33,7    | 8,48 | 36    | 9,33 | 38,3    | 10,21 | 43      | 12,12 | 44,7  | 12,61 |
| 27                                      | 24,3                                   | 5,86                                   | 29   | 7,36    | 33,7 | 9,05    | 36   | 9,96  | 38,3 | 10,92   | 43    | 12,97   | 44    | 13,14 |       |
| 29                                      | 24,3                                   | 6,24                                   | 29   | 7,85    | 33,7 | 9,66    | 36   | 10,64 | 38,3 | 11,67   | 42,6  | 13,56   | 43,4  | 13,67 |       |
| 31                                      | 24,3                                   | 6,63                                   | 29   | 8,36    | 33,7 | 10,29   | 36   | 11,35 | 38,3 | 12,45   | 41,9  | 14,09   | 42,7  | 14,21 |       |
| 33                                      | 24,3                                   | 7,04                                   | 29   | 8,89    | 33,7 | 10,98   | 36   | 12,1  | 38,3 | 13,28   | 41,3  | 14,64   | 42,1  | 14,74 |       |
| 35                                      | 24,3                                   | 7,48                                   | 29   | 9,46    | 33,7 | 11,69   | 36   | 12,89 | 38,3 | 14,15   | 40,6  | 15,17   | 41,4  | 15,29 |       |
| 37                                      | 24,3                                   | 7,93                                   | 29   | 10,05   | 33,7 | 12,45   | 36   | 13,73 | 38,3 | 15,09   | 39,9  | 15,7    | 40,9  | 15,82 |       |
| 39                                      | 24,3                                   | 8,42                                   | 29   | 10,7    | 33,7 | 13,24   | 36   | 14,62 | 38,3 | 16,07   | 39,3  | 16,25   | 40,1  | 16,37 |       |
| 41                                      | 24,3                                   | 8,71                                   | 29   | 11,18   | 33,7 | 13,72   | 36   | 15,01 | 38,3 | 16,16   | 39    | 16,66   | 39,9  | 16,76 |       |
| 43                                      | 24,3                                   | 9,13                                   | 29   | 11,66   | 33,7 | 14,21   | 36   | 15,4  | 38,3 | 16,51   | 38,8  | 16,88   | 39,5  | 17,02 |       |
| 45                                      | 24,3                                   | 9,71                                   | 29   | 12,24   | 33,7 | 14,79   | 36   | 15,91 | 38,3 | 16,97   | 38,6  | 17,05   | 38,9  | 17,24 |       |
| 80%                                     | -15                                    | 20,4                                   | 3,61 | 24,3    | 4,27 | 28,3    | 5,07 | 30,3  | 5,42 | 32,6    | 5,87  | 36,1    | 6,74  | 39,9  | 7,68  |
|   | -13                                    | 20,4                                   | 3,63 | 24,3    | 4,27 | 28,3    | 5,1  | 30,3  | 5,44 | 32,6    | 5,87  | 36,1    | 6,76  | 39,9  | 7,73  |
|   | -11                                    | 20,4                                   | 3,63 | 24,3    | 4,3  | 28,3    | 5,1  | 30,3  | 5,45 | 32,6    | 5,88  | 36,1    | 6,78  | 39,9  | 7,73  |
|   | -9                                     | 21,1                                   | 3,66 | 25,2    | 4,33 | 29,3    | 5,13 | 31,1  | 5,47 | 33,6    | 5,9   | 37,1    | 6,81  | 41    | 7,77  |
|   | -7                                     | 21,1                                   | 3,69 | 25,2    | 4,33 | 29,3    | 5,13 | 31,1  | 5,47 | 33,6    | 5,91  | 37,1    | 6,81  | 41    | 7,79  |
|   | -5                                     | 21,6                                   | 3,69 | 25,7    | 4,37 | 29,9    | 5,17 | 32    | 5,5  | 34,1    | 5,92  | 38,3    | 6,84  | 42,4  | 7,81  |
|   | -2                                     | 21,6                                   | 3,75 | 25,7    | 4,42 | 29,9    | 5,21 | 32    | 5,58 | 34,1    | 5,97  | 38,3    | 6,91  | 42,4  | 7,88  |
|   | 0                                      | 21,6                                   | 3,81 | 25,7    | 4,47 | 29,9    | 5,28 | 32    | 5,65 | 34,1    | 6,08  | 38,3    | 7     | 42,4  | 7,99  |
|   | 2                                      | 21,6                                   | 3,89 | 25,7    | 4,54 | 29,9    | 5,35 | 32    | 5,76 | 34,1    | 6,19  | 38,3    | 7,15  | 42,4  | 8,15  |
|   | 4                                      | 21,6                                   | 3,95 | 25,7    | 4,62 | 29,9    | 5,46 | 32    | 5,89 | 34,1    | 6,3   | 38,3    | 7,28  | 42,4  | 8,25  |
|   | 6                                      | 21,6                                   | 4,02 | 25,7    | 4,72 | 29,9    | 5,54 | 32    | 6,02 | 34,1    | 6,42  | 38,3    | 7,38  | 42,4  | 8,39  |
|   | 8                                      | 21,6                                   | 4,09 | 25,7    | 4,83 | 29,9    | 5,67 | 32    | 6,11 | 34,1    | 6,56  | 38,3    | 7,49  | 42,4  | 8,56  |
|   | 10                                     | 21,6                                   | 4,13 | 25,7    | 4,94 | 29,9    | 5,82 | 32    | 6,26 | 34,1    | 6,71  | 38,3    | 7,67  | 42,4  | 8,64  |
|   | 12                                     | 21,6                                   | 4,19 | 25,7    | 5,02 | 29,9    | 5,92 | 32    | 6,39 | 34,1    | 6,85  | 38,3    | 7,81  | 42,4  | 8,81  |
|   | 14                                     | 21,6                                   | 4,27 | 25,7    | 5,12 | 29,9    | 6,02 | 32    | 6,49 | 34,1    | 6,98  | 38,3    | 7,95  | 42,4  | 8,97  |
|   | 16                                     | 21,6                                   | 4,33 | 25,7    | 5,21 | 29,9    | 6,14 | 32    | 6,61 | 34,1    | 7,1   | 38,3    | 8,11  | 42,4  | 9,13  |
|   | 18                                     | 21,6                                   | 4,41 | 25,7    | 5,31 | 29,9    | 6,26 | 32    | 6,75 | 34,1    | 7,24  | 38,3    | 8,28  | 42,4  | 9,31  |
|   | 20                                     | 21,6                                   | 4,5  | 25,7    | 5,41 | 29,9    | 6,39 | 32    | 6,87 | 34,1    | 7,38  | 38,3    | 8,58  | 42,4  | 9,97  |
|   | 21                                     | 21,6                                   | 4,54 | 25,7    | 5,45 | 29,9    | 6,45 | 32    | 6,95 | 34,1    | 7,55  | 38,3    | 8,89  | 42,4  | 10,33 |
|   | 23                                     | 21,6                                   | 4,62 | 25,7    | 5,57 | 29,9    | 6,75 | 32    | 7,4  | 34,1    | 8,07  | 38,3    | 9,52  | 42,4  | 11,08 |
|   | 25                                     | 21,6                                   | 4,76 | 25,7    | 5,92 | 29,9    | 7,22 | 32    | 7,91 | 34,1    | 8,62  | 38,3    | 10,19 | 42,4  | 11,86 |
| 27                                      | 21,6                                   | 5,06                                   | 25,7 | 6,3     | 29,9 | 7,69    | 32   | 8,44  | 34,1 | 9,21    | 38,3  | 10,88   | 42,4  | 12,69 |       |
| 29                                      | 21,6                                   | 5,39                                   | 25,7 | 6,71    | 29,9 | 8,2     | 32   | 8,99  | 34,1 | 9,84    | 38,3  | 11,61   | 42,4  | 13,57 |       |
| 31                                      | 21,6                                   | 5,71                                   | 25,7 | 7,14    | 29,9 | 8,73    | 32   | 9,58  | 34,1 | 10,49   | 38,3  | 12,41   | 41,7  | 14,09 |       |
| 33                                      | 21,6                                   | 6,08                                   | 25,7 | 7,59    | 29,9 | 9,29    | 32   | 10,21 | 34,1 | 11,17   | 38,3  | 13,22   | 41,1  | 14,62 |       |
| 35                                      | 21,6                                   | 6,45                                   | 25,7 | 8,07    | 29,9 | 9,88    | 32   | 10,86 | 34,1 | 11,9    | 38,3  | 14,09   | 40,4  | 15,15 |       |
| 37                                      | 21,6                                   | 6,83                                   | 25,7 | 8,56    | 29,9 | 10,51   | 32   | 11,57 | 34,1 | 12,67   | 38,3  | 15,03   | 39,9  | 15,68 |       |
| 39                                      | 21,6                                   | 7,24                                   | 25,7 | 9,13    | 29,9 | 11,19   | 32   | 12,3  | 34,1 | 13,48   | 38,3  | 16,01   | 39,1  | 16,23 |       |
| 41                                      | 21,6                                   | 7,4                                    | 25,7 | 9,21    | 29,9 | 11,35   | 32   | 12,63 | 34,1 | 13,73   | 38,3  | 16,41   | 38,9  | 16,51 |       |
| 43                                      | 21,6                                   | 7,62                                   | 25,7 | 9,29    | 29,9 | 11,51   | 32   | 12,85 | 34,1 | 13,92   | 38,3  | 16,6    | 38,7  | 16,69 |       |
| 45                                      | 21,6                                   | 7,84                                   | 25,7 | 9,4     | 29,9 | 11,73   | 32   | 13,12 | 34,1 | 14,16   | 38,3  | 16,79   | 38,2  | 16,97 |       |

kWf = Cooling capacity [kW]

kWe = Compressor + Fan power input [kW]

DB=Dry bulb

WB=Wet bulb

# Performance in Cooling

## MSAN-XMi 400T

| Indoor/<br>Outdoor<br>Capacity<br>Ratio | Outdoor air<br>temperature<br>D.B.(°C) | Indoor air temperature D.B / W.B. (°C) |      |         |      |         |      |       |      |         |      |         |      |       |      |
|---|--|--|------|---------|------|---------|------|-------|------|---------|------|---------|------|-------|------|
|   |  | 20,8/14                                |      | 23,3/16 |      | 25,8/18 |      | 27/19 |      | 28,2/20 |      | 30,7/22 |      | 32/24 |      |
|   |  | kWf                                    | kWe  | kWf     | kWe  | kWf     | kWe  | kWf   | kWe  | kWf     | kWe  | kWf     | kWe  | kWf   | kWe  |
| 70%                                     | -15                                    | 17,8                                   | 3,23 | 21,4    | 3,78 | 24,8    | 4,3  | 26,5  | 4,63 | 28,5    | 4,97 | 31,5    | 5,65 | 34,9  | 6,49 |
|   | -13                                    | 17,8                                   | 3,24 | 21,4    | 3,78 | 24,8    | 4,32 | 26,5  | 4,65 | 28,5    | 4,97 | 31,5    | 5,66 | 34,9  | 6,52 |
|   | -11                                    | 17,8                                   | 3,24 | 21,4    | 3,81 | 24,8    | 4,32 | 26,5  | 4,66 | 28,5    | 4,98 | 31,5    | 5,68 | 34,9  | 6,52 |
|   | -9                                     | 18,5                                   | 3,27 | 22,1    | 3,83 | 25,6    | 4,35 | 27,2  | 4,67 | 29,4    | 4,99 | 32,4    | 5,71 | 35,9  | 6,56 |
|   | -7                                     | 18,5                                   | 3,29 | 22,1    | 3,83 | 25,6    | 4,35 | 27,2  | 4,67 | 29,4    | 5    | 32,4    | 5,71 | 35,9  | 6,57 |
|   | -5                                     | 18,9                                   | 3,3  | 22,6    | 3,86 | 26,1    | 4,38 | 28    | 4,7  | 29,9    | 5,01 | 33,4    | 5,73 | 37,1  | 6,59 |
|   | -2                                     | 18,9                                   | 3,32 | 22,6    | 3,88 | 26,1    | 4,41 | 28    | 4,79 | 29,9    | 5,1  | 33,4    | 5,82 | 37,1  | 6,68 |
|   | 0                                      | 18,9                                   | 3,34 | 22,6    | 3,94 | 26,1    | 4,5  | 28    | 4,88 | 29,9    | 5,19 | 33,4    | 5,94 | 37,1  | 6,77 |
|   | 2                                      | 18,9                                   | 3,36 | 22,6    | 3,96 | 26,1    | 4,57 | 28    | 4,97 | 29,9    | 5,28 | 33,4    | 6,07 | 37,1  | 6,88 |
|   | 4                                      | 18,9                                   | 3,4  | 22,6    | 4,05 | 26,1    | 4,67 | 28    | 5,06 | 29,9    | 5,4  | 33,4    | 6,17 | 37,1  | 7,04 |
|   | 6                                      | 18,9                                   | 3,46 | 22,6    | 4,12 | 26,1    | 4,79 | 28    | 5,22 | 29,9    | 5,53 | 33,4    | 6,28 | 37,1  | 7,18 |
|   | 8                                      | 18,9                                   | 3,52 | 22,6    | 4,24 | 26,1    | 4,89 | 28    | 5,3  | 29,9    | 5,64 | 33,4    | 6,46 | 37,1  | 7,31 |
|   | 10                                     | 18,9                                   | 3,59 | 22,6    | 4,31 | 26,1    | 5,02 | 28    | 5,41 | 29,9    | 5,8  | 33,4    | 6,59 | 37,1  | 7,4  |
|   | 12                                     | 18,9                                   | 3,68 | 22,6    | 4,37 | 26,1    | 5,13 | 28    | 5,51 | 29,9    | 5,9  | 33,4    | 6,71 | 37,1  | 7,55 |
|   | 14                                     | 18,9                                   | 3,74 | 22,6    | 4,45 | 26,1    | 5,21 | 28    | 5,59 | 29,9    | 6    | 33,4    | 6,83 | 37,1  | 7,69 |
|   | 16                                     | 18,9                                   | 3,8  | 22,6    | 4,54 | 26,1    | 5,31 | 28    | 5,71 | 29,9    | 6,12 | 33,4    | 6,96 | 37,1  | 7,83 |
|   | 18                                     | 18,9                                   | 3,86 | 22,6    | 4,62 | 26,1    | 5,41 | 28    | 5,82 | 29,9    | 6,22 | 33,4    | 7,1  | 37,1  | 7,99 |
|   | 20                                     | 18,9                                   | 3,93 | 22,6    | 4,7  | 26,1    | 5,51 | 28    | 5,92 | 29,9    | 6,35 | 33,4    | 7,24 | 37,1  | 8,22 |
|   | 21                                     | 18,9                                   | 3,97 | 22,6    | 4,74 | 26,1    | 5,55 | 28    | 5,98 | 29,9    | 6,41 | 33,4    | 7,34 | 37,1  | 8,5  |
|   | 23                                     | 18,9                                   | 4,03 | 22,6    | 4,82 | 26,1    | 5,67 | 28    | 6,18 | 29,9    | 6,73 | 33,4    | 7,87 | 37,1  | 9,11 |
|   | 25                                     | 18,9                                   | 4,11 | 22,6    | 5,02 | 26,1    | 6,04 | 28    | 6,61 | 29,9    | 7,18 | 33,4    | 8,42 | 37,1  | 9,74 |
| 27                                      | 18,9                                   | 4,35                                   | 22,6 | 5,35    | 26,1 | 6,45    | 28   | 7,04  | 29,9 | 7,67    | 33,4 | 8,99    | 37,1 | 10,41 |      |
| 29                                      | 18,9                                   | 4,62                                   | 22,6 | 5,67    | 26,1 | 6,85    | 28   | 7,5   | 29,9 | 8,16    | 33,4 | 9,58    | 37,1 | 11,12 |      |
| 31                                      | 18,9                                   | 4,88                                   | 22,6 | 6,02    | 26,1 | 7,3     | 28   | 7,97  | 29,9 | 8,68    | 33,4 | 10,21   | 37,1 | 11,86 |      |
| 33                                      | 18,9                                   | 5,19                                   | 22,6 | 6,41    | 26,1 | 7,77    | 28   | 8,48  | 29,9 | 9,25    | 33,4 | 10,88   | 37,1 | 12,65 |      |
| 35                                      | 18,9                                   | 5,49                                   | 22,6 | 6,79    | 26,1 | 8,24    | 28   | 8,93  | 29,9 | 9,84    | 33,4 | 11,59   | 37,1 | 13,48 |      |
| 37                                      | 18,9                                   | 5,8                                    | 22,6 | 7,2     | 26,1 | 8,77    | 28   | 9,58  | 29,9 | 10,47   | 33,4 | 12,34   | 37,1 | 14,36 |      |
| 39                                      | 18,9                                   | 6,14                                   | 22,6 | 7,63    | 26,1 | 9,29    | 28   | 10,19 | 29,9 | 11,12   | 33,4 | 13,12   | 37,1 | 15,29 |      |
| 41                                      | 18,9                                   | 6,41                                   | 22,6 | 7,9     | 26,1 | 9,57    | 28   | 10,53 | 29,9 | 11,46   | 33,4 | 13,66   | 37,1 | 15,97 |      |
| 43                                      | 18,9                                   | 6,94                                   | 22,6 | 8,44    | 26,1 | 9,96    | 28   | 11,09 | 29,9 | 11,8    | 33,4 | 14,16   | 37,1 | 16,47 |      |
| 45                                      | 18,9                                   | 7,09                                   | 22,6 | 8,62    | 26,1 | 10,17   | 28   | 11,27 | 29,9 | 12,39   | 33,4 | 14,92   | 37,1 | 17,1  |      |
| 60%                                     | -15                                    | 15,3                                   | 2,75 | 18,2    | 3,19 | 21,2    | 3,73 | 22,7  | 3,99 | 24,4    | 4,33 | 27      | 4,84 | 30    | 5,54 |
|   | -13                                    | 15,3                                   | 2,76 | 18,2    | 3,19 | 21,2    | 3,75 | 22,7  | 4,01 | 24,4    | 4,33 | 27      | 4,85 | 30    | 5,57 |
|   | -11                                    | 15,3                                   | 2,76 | 18,2    | 3,21 | 21,2    | 3,75 | 22,7  | 4,02 | 24,4    | 4,35 | 27      | 4,86 | 30    | 5,57 |
|   | -9                                     | 15,8                                   | 2,79 | 18,9    | 3,24 | 22      | 3,77 | 23,3  | 4,03 | 25,2    | 4,36 | 27,8    | 4,89 | 30,8  | 5,6  |
|   | -7                                     | 15,8                                   | 2,81 | 18,9    | 3,24 | 22      | 3,77 | 23,3  | 4,03 | 25,2    | 4,36 | 27,8    | 4,89 | 30,8  | 5,61 |
|   | -5                                     | 16,1                                   | 2,81 | 19,3    | 3,26 | 22,4    | 3,8  | 24    | 4,05 | 25,6    | 4,37 | 28,7    | 4,91 | 31,9  | 5,63 |
|   | -2                                     | 16,1                                   | 2,83 | 19,3    | 3,31 | 22,4    | 3,87 | 24    | 4,11 | 25,6    | 4,42 | 28,7    | 4,98 | 31,9  | 5,67 |
|   | 0                                      | 16,1                                   | 2,87 | 19,3    | 3,35 | 22,4    | 3,92 | 24    | 4,16 | 25,6    | 4,49 | 28,7    | 5,06 | 31,9  | 5,74 |
|   | 2                                      | 16,1                                   | 2,92 | 19,3    | 3,43 | 22,4    | 3,99 | 24    | 4,24 | 25,6    | 4,55 | 28,7    | 5,16 | 31,9  | 5,82 |
|   | 4                                      | 16,1                                   | 3    | 19,3    | 3,5  | 22,4    | 4,07 | 24    | 4,29 | 25,6    | 4,62 | 28,7    | 5,24 | 31,9  | 5,9  |
|   | 6                                      | 16,1                                   | 3,03 | 19,3    | 3,56 | 22,4    | 4,15 | 24    | 4,39 | 25,6    | 4,71 | 28,7    | 5,35 | 31,9  | 6,04 |
|   | 8                                      | 16,1                                   | 3,09 | 19,3    | 3,62 | 22,4    | 4,23 | 24    | 4,47 | 25,6    | 4,81 | 28,7    | 5,45 | 31,9  | 6,13 |
|   | 10                                     | 16,1                                   | 3,15 | 19,3    | 3,7  | 22,4    | 4,29 | 24    | 4,6  | 25,6    | 4,9  | 28,7    | 5,55 | 31,9  | 6,22 |
|   | 12                                     | 16,1                                   | 3,21 | 19,3    | 3,76 | 22,4    | 4,37 | 24    | 4,68 | 25,6    | 4,98 | 28,7    | 5,65 | 31,9  | 6,32 |
|   | 14                                     | 16,1                                   | 3,25 | 19,3    | 3,82 | 22,4    | 4,43 | 24    | 4,76 | 25,6    | 5,08 | 28,7    | 5,75 | 31,9  | 6,45 |
|   | 16                                     | 16,1                                   | 3,29 | 19,3    | 3,88 | 22,4    | 4,51 | 24    | 4,84 | 25,6    | 5,17 | 28,7    | 5,86 | 31,9  | 6,57 |
|   | 18                                     | 16,1                                   | 3,36 | 19,3    | 3,94 | 22,4    | 4,6  | 24    | 4,92 | 25,6    | 5,27 | 28,7    | 5,96 | 31,9  | 6,69 |
|   | 20                                     | 16,1                                   | 3,4  | 19,3    | 4,03 | 22,4    | 4,68 | 24    | 5,02 | 25,6    | 5,37 | 28,7    | 6,08 | 31,9  | 6,83 |
|   | 21                                     | 16,1                                   | 3,44 | 19,3    | 4,05 | 22,4    | 4,72 | 24    | 5,06 | 25,6    | 5,41 | 28,7    | 6,14 | 31,9  | 6,89 |
|   | 23                                     | 16,1                                   | 3,48 | 19,3    | 4,13 | 22,4    | 4,8  | 24    | 5,17 | 25,6    | 5,51 | 28,7    | 6,38 | 31,9  | 7,34 |
|   | 25                                     | 16,1                                   | 3,54 | 19,3    | 4,19 | 22,4    | 4,98 | 24    | 5,41 | 25,6    | 5,86 | 28,7    | 6,81 | 31,9  | 7,83 |
| 27                                      | 16,1                                   | 3,68                                   | 19,3 | 4,45    | 22,4 | 5,31    | 24   | 5,77  | 25,6 | 6,24    | 28,7 | 7,26    | 31,9 | 8,36  |      |
| 29                                      | 16,1                                   | 3,88                                   | 19,3 | 4,72    | 22,4 | 5,65    | 24   | 6,14  | 25,6 | 6,65    | 28,7 | 7,75    | 31,9 | 8,93  |      |
| 31                                      | 16,1                                   | 4,13                                   | 19,3 | 5       | 22,4 | 6       | 24   | 6,53  | 25,6 | 7,08    | 28,7 | 8,24    | 31,9 | 9,5   |      |
| 33                                      | 16,1                                   | 4,35                                   | 19,3 | 5,31    | 22,4 | 6,36    | 24   | 6,93  | 25,6 | 7,52    | 28,7 | 8,76    | 31,9 | 10,13 |      |
| 35                                      | 16,1                                   | 4,62                                   | 19,3 | 5,63    | 22,4 | 6,75    | 24   | 7,36  | 25,6 | 7,99    | 28,7 | 9,33    | 31,9 | 10,78 |      |
| 37                                      | 16,1                                   | 4,88                                   | 19,3 | 5,96    | 22,4 | 7,16    | 24   | 7,81  | 25,6 | 8,48    | 28,7 | 9,92    | 31,9 | 11,47 |      |
| 39                                      | 16,1                                   | 5,14                                   | 19,3 | 6,3     | 22,4 | 7,58    | 24   | 8,28  | 25,6 | 9,01    | 28,7 | 10,53   | 31,9 | 12,2  |      |
| 41                                      | 16,1                                   | 5,31                                   | 19,3 | 6,58    | 22,4 | 7,86    | 24   | 8,61  | 25,6 | 9,34    | 28,7 | 11,03   | 31,9 | 12,75 |      |
| 43                                      | 16,1                                   | 5,48                                   | 19,3 | 6,85    | 22,4 | 8,14    | 24   | 8,86  | 25,6 | 9,67    | 28,7 | 11,5    | 31,9 | 13,3  |      |
| 45                                      | 16,1                                   | 5,73                                   | 19,3 | 7,2     | 22,4 | 8,47    | 24   | 9,2   | 25,6 | 10,14   | 28,7 | 12,01   | 31,9 | 14,04 |      |

kWf = Cooling capacity [kW]

kWe = Compressor + Fan power input [kW]

DB=Dry bulb

WB=Wet bulb

# Performance in Cooling

## MSAN-XMi 400T

| Indoor/<br>Outdoor<br>Capacity<br>Ratio | Outdoor air<br>temperature<br>D.B.(°C) | Indoor air temperature D.B / W.B. (°C) |      |         |      |         |      |       |      |         |      |         |      |       |      |
|---|--|--|------|---------|------|---------|------|-------|------|---------|------|---------|------|-------|------|
|   |  | 20,8/14                                |      | 23,3/16 |      | 25,8/18 |      | 27/19 |      | 28,2/20 |      | 30,7/22 |      | 32/24 |      |
|   |  | kWf                                    | kWe  | kWf     | kWe  | kWf     | kWe  | kWf   | kWe  | kWf     | kWe  | kWf     | kWe  | kWf   | kWe  |
| 50%                                     | -15                                    | 12,8                                   | 2,39 | 15,3    | 2,77 | 17,7    | 3,18 | 19    | 3,35 | 20,3    | 3,55 | 22,5    | 4,02 | 25    | 4,32 |
|   | -13                                    | 12,8                                   | 2,4  | 15,3    | 2,77 | 17,7    | 3,2  | 19    | 3,36 | 20,3    | 3,55 | 22,5    | 4,03 | 25    | 4,35 |
|   | -11                                    | 12,8                                   | 2,4  | 15,3    | 2,78 | 17,7    | 3,2  | 19    | 3,37 | 20,3    | 3,56 | 22,5    | 4,04 | 25    | 4,35 |
|   | -9                                     | 13,2                                   | 2,42 | 15,8    | 2,8  | 18,3    | 3,22 | 19,4  | 3,38 | 20,9    | 3,57 | 23,1    | 4,06 | 25,7  | 4,37 |
|   | -7                                     | 13,2                                   | 2,44 | 15,8    | 2,8  | 18,3    | 3,22 | 19,4  | 3,38 | 20,9    | 3,58 | 23,1    | 4,06 | 25,7  | 4,38 |
|   | -5                                     | 13,5                                   | 2,44 | 16,1    | 2,82 | 18,7    | 3,24 | 20    | 3,4  | 21,3    | 3,58 | 23,9    | 4,08 | 26,6  | 4,39 |
|   | -2                                     | 13,5                                   | 2,46 | 16,1    | 2,88 | 18,7    | 3,28 | 20    | 3,44 | 21,3    | 3,65 | 23,9    | 4,13 | 26,6  | 4,45 |
|   | 0                                      | 13,5                                   | 2,5  | 16,1    | 2,93 | 18,7    | 3,34 | 20    | 3,49 | 21,3    | 3,69 | 23,9    | 4,2  | 26,6  | 4,53 |
|   | 2                                      | 13,5                                   | 2,54 | 16,1    | 2,96 | 18,7    | 3,4  | 20    | 3,54 | 21,3    | 3,75 | 23,9    | 4,22 | 26,6  | 4,61 |
|   | 4                                      | 13,5                                   | 2,56 | 16,1    | 3,02 | 18,7    | 3,43 | 20    | 3,58 | 21,3    | 3,83 | 23,9    | 4,32 | 26,6  | 4,73 |
|   | 6                                      | 13,5                                   | 2,61 | 16,1    | 3,06 | 18,7    | 3,48 | 20    | 3,67 | 21,3    | 3,9  | 23,9    | 4,39 | 26,6  | 4,87 |
|   | 8                                      | 13,5                                   | 2,67 | 16,1    | 3,12 | 18,7    | 3,54 | 20    | 3,75 | 21,3    | 3,95 | 23,9    | 4,46 | 26,6  | 5,03 |
|   | 10                                     | 13,5                                   | 2,72 | 16,1    | 3,15 | 18,7    | 3,6  | 20    | 3,81 | 21,3    | 4,07 | 23,9    | 4,58 | 26,6  | 5,1  |
|   | 12                                     | 13,5                                   | 2,75 | 16,1    | 3,19 | 18,7    | 3,66 | 20    | 3,88 | 21,3    | 4,15 | 23,9    | 4,66 | 26,6  | 5,19 |
|   | 14                                     | 13,5                                   | 2,79 | 16,1    | 3,23 | 18,7    | 3,7  | 20    | 3,97 | 21,3    | 4,21 | 23,9    | 4,74 | 26,6  | 5,29 |
|   | 16                                     | 13,5                                   | 2,83 | 16,1    | 3,27 | 18,7    | 3,76 | 20    | 4,03 | 21,3    | 4,27 | 23,9    | 4,82 | 26,6  | 5,37 |
|   | 18                                     | 13,5                                   | 2,87 | 16,1    | 3,33 | 18,7    | 3,82 | 20    | 4,09 | 21,3    | 4,35 | 23,9    | 4,9  | 26,6  | 5,47 |
|   | 20                                     | 13,5                                   | 2,91 | 16,1    | 3,38 | 18,7    | 3,88 | 20    | 4,15 | 21,3    | 4,43 | 23,9    | 4,98 | 26,6  | 5,57 |
|   | 21                                     | 13,5                                   | 2,93 | 16,1    | 3,42 | 18,7    | 3,92 | 20    | 4,19 | 21,3    | 4,47 | 23,9    | 5,04 | 26,6  | 5,63 |
|   | 23                                     | 13,5                                   | 2,97 | 16,1    | 3,46 | 18,7    | 3,99 | 20    | 4,27 | 21,3    | 4,56 | 23,9    | 5,12 | 26,6  | 5,75 |
|   | 25                                     | 13,5                                   | 3,01 | 16,1    | 3,52 | 18,7    | 4,07 | 20    | 4,35 | 21,3    | 4,7  | 23,9    | 5,39 | 26,6  | 6,14 |
| 27                                      | 13,5                                   | 3,07                                   | 16,1 | 3,66    | 18,7 | 4,29    | 20   | 4,64  | 21,3 | 4,98    | 23,9 | 5,73    | 26,6 | 6,55  |      |
| 29                                      | 13,5                                   | 3,23                                   | 16,1 | 3,86    | 18,7 | 4,56    | 20   | 4,92  | 21,3 | 5,31    | 23,9 | 6,1     | 26,6 | 6,98  |      |
| 31                                      | 13,5                                   | 3,42                                   | 16,1 | 4,09    | 18,7 | 4,82    | 20   | 5,23  | 21,3 | 5,63    | 23,9 | 6,49    | 26,6 | 7,42  |      |
| 33                                      | 13,5                                   | 3,62                                   | 16,1 | 4,33    | 18,7 | 5,12    | 20   | 5,53  | 21,3 | 5,98    | 23,9 | 6,89    | 26,6 | 7,89  |      |
| 35                                      | 13,5                                   | 3,82                                   | 16,1 | 4,58    | 18,7 | 5,41    | 20   | 5,86  | 21,3 | 6,32    | 23,9 | 7,32    | 26,6 | 8,38  |      |
| 37                                      | 13,5                                   | 4,03                                   | 16,1 | 4,84    | 18,7 | 5,73    | 20   | 6,2   | 21,3 | 6,71    | 23,9 | 7,77    | 26,6 | 8,91  |      |
| 39                                      | 13,5                                   | 4,25                                   | 16,1 | 5,1     | 18,7 | 6,06    | 20   | 6,57  | 21,3 | 7,12    | 23,9 | 8,24    | 26,6 | 9,46  |      |
| 41                                      | 13,5                                   | 4,43                                   | 16,1 | 5,32    | 18,7 | 6,28    | 20   | 6,88  | 21,3 | 7,42    | 23,9 | 8,68    | 26,6 | 9,9   |      |
| 43                                      | 13,5                                   | 4,72                                   | 16,1 | 5,69    | 18,7 | 6,5     | 20   | 7,18  | 21,3 | 7,62    | 23,9 | 9,11    | 26,6 | 10,33 |      |
| 45                                      | 13,5                                   | 4,83                                   | 16,1 | 5,84    | 18,7 | 6,94    | 20   | 7,74  | 21,3 | 7,94    | 23,9 | 9,99    | 26,6 | 11,21 |      |

kWf = Cooling capacity [kW]

kWe = Compressor + Fan power input [kW]

DB=Dry bulb

WB=Wet bulb

**Notes:**

It is recommended to have system with Indoor/Outdoor Capacity Ratio less than 130%

Avoid running the unit in cooling mode when outdoor air temperature is above 43°C DB

The above capacity tables show the average values in operating conditions



# Performance in Cooling

## MSAN-XMi 450T

| Indoor/<br>Outdoor<br>Capacity<br>Ratio | Outdoor air<br>temperature<br>D.B.(°C) | Indoor air temperature D.B / W.B. (°C) |      |         |       |         |       |       |       |         |       |         |       |       |       |
|---|--|--|------|---------|-------|---------|-------|-------|-------|---------|-------|---------|-------|-------|-------|
|   |  | 20,8/14                                |      | 23,3/16 |       | 25,8/18 |       | 27/19 |       | 28,2/20 |       | 30,7/22 |       | 32/24 |       |
|   |  | kWf                                    | kWe  | kWf     | kWe   | kWf     | kWe   | kWf   | kWe   | kWf     | kWe   | kWf     | kWe   | kWf   | kWe   |
| 130%                                    | -15                                    | 37,6                                   | 5,42 | 44,5    | 6,62  | 51,9    | 7,11  | 53,8  | 7,44  | 56,6    | 7,69  | 57,6    | 8,32  | 59    | 8,34  |
|   | -13                                    | 37,6                                   | 5,45 | 44,5    | 6,62  | 51,9    | 7,16  | 53,8  | 7,47  | 56,6    | 7,69  | 57,6    | 8,34  | 59    | 8,41  |
|   | -11                                    | 37,6                                   | 5,45 | 44,5    | 6,66  | 51,9    | 7,16  | 53,8  | 7,49  | 56,6    | 7,7   | 57,6    | 8,35  | 59    | 8,41  |
|   | -9                                     | 38,7                                   | 5,49 | 46,1    | 6,72  | 53,5    | 7,19  | 55,2  | 7,52  | 58,6    | 7,73  | 59,2    | 8,41  | 60,4  | 8,47  |
|   | -7                                     | 38,7                                   | 5,53 | 46,1    | 6,72  | 53,5    | 7,19  | 55,2  | 7,54  | 58,6    | 7,73  | 59,2    | 8,41  | 60,4  | 8,47  |
|   | -5                                     | 39,5                                   | 5,54 | 47,1    | 6,76  | 54,6    | 7,25  | 56,7  | 7,54  | 59,5    | 7,76  | 60,9    | 8,43  | 62,4  | 8,49  |
|   | -2                                     | 39,5                                   | 5,54 | 47,1    | 6,89  | 54,6    | 7,25  | 56,7  | 7,59  | 59,5    | 7,76  | 60,9    | 8,54  | 62,4  | 8,57  |
|   | 0                                      | 39,5                                   | 5,63 | 47,1    | 7,01  | 54,6    | 7,51  | 56,7  | 8     | 59,5    | 8,21  | 60,9    | 8,64  | 62,4  | 8,69  |
|   | 2                                      | 39,5                                   | 5,73 | 47,1    | 7,03  | 54,6    | 7,77  | 56,7  | 8,45  | 59,5    | 8,3   | 60,9    | 8,71  | 62,4  | 8,81  |
|   | 4                                      | 39,5                                   | 5,86 | 47,1    | 7,16  | 54,6    | 8,04  | 56,7  | 8,49  | 59,5    | 8,41  | 60,9    | 8,84  | 62,4  | 8,98  |
|   | 6                                      | 39,5                                   | 5,98 | 47,1    | 7,31  | 54,6    | 8,34  | 56,7  | 8,56  | 58,8    | 8,67  | 60,2    | 8,98  | 61,8  | 9,05  |
|   | 8                                      | 39,5                                   | 6,12 | 47,1    | 7,47  | 54,6    | 8,75  | 56,7  | 8,98  | 58,1    | 8,95  | 59,5    | 9,01  | 61    | 9,14  |
|   | 10                                     | 39,5                                   | 6,25 | 47,1    | 7,63  | 54,6    | 9,08  | 56,7  | 9,28  | 57,4    | 9,12  | 58,8    | 9,14  | 60,3  | 9,4   |
|   | 12                                     | 39,5                                   | 6,36 | 47,1    | 7,78  | 54,6    | 9,26  | 55,9  | 9,42  | 56,7    | 9,26  | 58      | 9,28  | 59,5  | 9,46  |
|   | 14                                     | 39,5                                   | 6,48 | 47,1    | 7,93  | 54,5    | 9,4   | 55,3  | 9,55  | 55,9    | 9,4   | 57,4    | 9,42  | 58,8  | 9,67  |
|   | 16                                     | 39,5                                   | 6,59 | 47,1    | 8,09  | 53,8    | 9,54  | 54,5  | 9,68  | 55,1    | 9,67  | 56,6    | 9,56  | 58    | 9,83  |
|   | 18                                     | 39,5                                   | 6,72 | 47,1    | 8,25  | 53      | 9,68  | 53,7  | 9,73  | 54,5    | 9,79  | 55,9    | 9,88  | 57,4  | 9,97  |
|   | 20                                     | 39,5                                   | 6,87 | 47,1    | 8,78  | 52,2    | 10,15 | 53    | 10,21 | 53,7    | 10,26 | 55,1    | 10,35 | 56,6  | 10,46 |
|   | 21                                     | 39,5                                   | 7,05 | 47,1    | 9,1   | 51,9    | 10,39 | 52,7  | 10,45 | 53,4    | 10,5  | 54,8    | 10,61 | 56,2  | 10,7  |
|   | 23                                     | 39,5                                   | 7,56 | 47,1    | 9,75  | 51,3    | 10,87 | 51,9  | 10,92 | 52,6    | 10,98 | 54      | 11,08 | 55,4  | 11,2  |
|   | 25                                     | 39,5                                   | 8,07 | 47,1    | 10,45 | 50,5    | 11,34 | 51,1  | 11,4  | 51,9    | 11,47 | 53,4    | 11,58 | 54,8  | 11,69 |
| 27                                      | 39,5                                   | 8,62                                   | 47,1 | 11,18   | 49,8  | 11,82   | 50,5  | 11,89 | 51,1  | 11,94   | 52,6  | 12,07   | 54    | 12,2  |       |
| 29                                      | 39,5                                   | 9,2                                    | 47,1 | 11,94   | 49    | 12,29   | 49,7  | 12,36 | 50,5  | 12,44   | 51,9  | 12,57   | 53,4  | 12,69 |       |
| 31                                      | 39,5                                   | 9,83                                   | 46,9 | 12,64   | 48,2  | 12,78   | 49    | 12,86 | 49,7  | 12,91   | 51,1  | 13,06   | 52,6  | 13,2  |       |
| 33                                      | 39,5                                   | 10,46                                  | 46,1 | 13,11   | 47,6  | 13,26   | 48,2  | 13,33 | 49    | 13,4    | 50,5  | 13,55   | 51,7  | 13,7  |       |
| 35                                      | 39,5                                   | 11,16                                  | 45,3 | 13,59   | 46,8  | 13,75   | 47,6  | 13,83 | 48,2  | 13,9    | 49,7  | 14,06   | 51,1  | 14,21 |       |
| 37                                      | 39,5                                   | 11,87                                  | 44,7 | 14,08   | 46,1  | 14,25   | 46,8  | 14,32 | 47,6  | 14,41   | 48,9  | 14,57   | 50,3  | 14,74 |       |
| 39                                      | 39,5                                   | 12,64                                  | 43,9 | 14,23   | 45,3  | 14,72   | 46,1  | 14,81 | 46,8  | 14,9    | 48,2  | 15,07   | 49,7  | 15,25 |       |
| 41                                      | 39,5                                   | 13,3                                   | 43,4 | 14,37   | 44,8  | 14,86   | 45,6  | 14,95 | 46,3  | 15,04   | 47,7  | 15,1    | 47,8  | 15,39 |       |
| 43                                      | 39,5                                   | 13,64                                  | 43,1 | 14,43   | 44,6  | 14,9    | 45,4  | 15,02 | 45,8  | 15,06   | 46,9  | 15,12   | 47,2  | 15,42 |       |
| 45                                      | 39,5                                   | 14,32                                  | 42,8 | 14,57   | 44,1  | 15,04   | 44,9  | 15,11 | 45,1  | 15,13   | 45,6  | 15,18   | 46,3  | 15,71 |       |
| 120%                                    | -15                                    | 34,5                                   | 5,24 | 41,1    | 6,34  | 47,8    | 7,52  | 51,2  | 8,25  | 53,9    | 8,63  | 54,5    | 8,86  | 55,6  | 9,08  |
|   | -13                                    | 34,5                                   | 5,26 | 41,1    | 6,34  | 47,8    | 7,56  | 51,2  | 8,27  | 53,9    | 8,63  | 54,5    | 8,88  | 55,6  | 9,13  |
|   | -11                                    | 34,5                                   | 5,26 | 41,1    | 6,39  | 47,8    | 7,56  | 51,2  | 8,29  | 53,9    | 8,66  | 54,5    | 8,9   | 55,6  | 9,13  |
|   | -9                                     | 35,7                                   | 5,3  | 42,5    | 6,43  | 49,5    | 7,61  | 52,5  | 8,32  | 55,7    | 8,68  | 56      | 8,95  | 57,1  | 9,18  |
|   | -7                                     | 35,7                                   | 5,34 | 42,5    | 6,43  | 49,5    | 7,61  | 52,5  | 8,32  | 55,7    | 8,69  | 56      | 8,95  | 57,1  | 9,2   |
|   | -5                                     | 36,5                                   | 5,35 | 43,4    | 6,48  | 50,5    | 7,66  | 54    | 8,36  | 56,6    | 8,71  | 57,9    | 8,99  | 59,1  | 9,23  |
|   | -2                                     | 36,5                                   | 5,4  | 43,4    | 6,55  | 50,5    | 7,74  | 54    | 8,4   | 56,6    | 8,81  | 57,9    | 9,06  | 59,1  | 9,26  |
|   | 0                                      | 36,5                                   | 5,45 | 43,4    | 6,59  | 50,5    | 7,83  | 54    | 8,43  | 56,6    | 8,89  | 57,9    | 9,12  | 59,1  | 9,28  |
|   | 2                                      | 36,5                                   | 5,47 | 43,4    | 6,66  | 50,5    | 7,88  | 54    | 8,51  | 56,6    | 8,93  | 57,9    | 9,19  | 59,1  | 9,3   |
|   | 4                                      | 36,5                                   | 5,52 | 43,4    | 6,75  | 50,5    | 7,99  | 54    | 8,58  | 56,6    | 9,05  | 57,9    | 9,21  | 59,1  | 9,32  |
|   | 6                                      | 36,5                                   | 5,58 | 43,4    | 6,8   | 50,5    | 8,09  | 54    | 8,68  | 56,6    | 9,14  | 57,9    | 9,28  | 59,1  | 9,35  |
|   | 8                                      | 36,5                                   | 5,63 | 43,4    | 6,87  | 50,5    | 8,2   | 54    | 8,79  | 56,6    | 9,24  | 57,9    | 9,31  | 59,1  | 9,4   |
|   | 10                                     | 36,5                                   | 5,7  | 43,4    | 6,96  | 50,5    | 8,27  | 54    | 8,95  | 56,6    | 9,24  | 57,9    | 9,34  | 59,1  | 9,44  |
|   | 12                                     | 36,5                                   | 5,81 | 43,4    | 7,09  | 50,5    | 8,44  | 54    | 9,11  | 55,8    | 9,28  | 57,1    | 9,29  | 58,3  | 9,5   |
|   | 14                                     | 36,5                                   | 5,92 | 43,4    | 7,23  | 50,5    | 8,6   | 54    | 9,3   | 55      | 9,34  | 56,4    | 9,43  | 57,7  | 9,61  |
|   | 16                                     | 36,5                                   | 6,03 | 43,4    | 7,38  | 50,5    | 8,77  | 53,7  | 9,41  | 54,3    | 9,48  | 55,6    | 9,59  | 56,9  | 9,76  |
|   | 18                                     | 36,5                                   | 6,14 | 43,4    | 7,52  | 50,5    | 9,06  | 52,9  | 9,68  | 53,5    | 9,71  | 54,8    | 9,81  | 56,2  | 9,9   |
|   | 20                                     | 36,5                                   | 6,26 | 43,4    | 7,82  | 50,5    | 9,75  | 52,2  | 10,15 | 52,9    | 10,19 | 54,2    | 10,28 | 55,4  | 10,37 |
|   | 21                                     | 36,5                                   | 6,32 | 43,4    | 8,09  | 50,5    | 10,1  | 51,7  | 10,39 | 52,4    | 10,43 | 53,8    | 10,52 | 55,1  | 10,63 |
|   | 23                                     | 36,5                                   | 6,76 | 43,4    | 8,67  | 50,5    | 10,81 | 51,1  | 10,85 | 51,7    | 10,9  | 53      | 11,01 | 54,3  | 11,1  |
|   | 25                                     | 36,5                                   | 7,21 | 43,4    | 9,28  | 49,7    | 11,29 | 50,3  | 11,32 | 50,9    | 11,38 | 52,4    | 11,49 | 53,7  | 11,6  |
| 27                                      | 36,5                                   | 7,71                                   | 43,4 | 9,92    | 49    | 11,74   | 49,7  | 11,82 | 50,3  | 11,87   | 51,6  | 11,98   | 52,9  | 12,09 |       |
| 29                                      | 36,5                                   | 8,22                                   | 43,4 | 10,59   | 48,2  | 12,22   | 48,9  | 12,29 | 49,5  | 12,34   | 50,8  | 12,47   | 52,2  | 12,58 |       |
| 31                                      | 36,5                                   | 8,77                                   | 43,4 | 11,3    | 47,4  | 12,71   | 48,2  | 12,76 | 48,9  | 12,84   | 50,1  | 12,97   | 51,4  | 13,09 |       |
| 33                                      | 36,5                                   | 9,33                                   | 43,4 | 12,05   | 46,8  | 13,18   | 47,4  | 13,26 | 48,1  | 13,31   | 49,3  | 13,46   | 50,6  | 13,59 |       |
| 35                                      | 36,5                                   | 9,93                                   | 43,4 | 12,86   | 46    | 13,66   | 46,6  | 13,73 | 47,4  | 13,81   | 48,7  | 13,95   | 50    | 14,1  |       |
| 37                                      | 36,5                                   | 10,57                                  | 43,4 | 13,7    | 45,3  | 14,15   | 46    | 14,23 | 46,6  | 14,3    | 47,9  | 14,45   | 49,2  | 14,61 |       |
| 39                                      | 36,5                                   | 11,25                                  | 43,2 | 14,46   | 44,5  | 14,63   | 45,2  | 14,72 | 45,8  | 14,79   | 47,2  | 14,96   | 48,5  | 15,1  |       |
| 41                                      | 36,5                                   | 11,56                                  | 42,9 | 14,57   | 44,2  | 14,73   | 44,8  | 14,82 | 45,5  | 14,9    | 46,9  | 15      | 47,1  | 15,22 |       |
| 43                                      | 36,5                                   | 11,73                                  | 42,7 | 14,67   | 43,8  | 14,82   | 44,5  | 14,88 | 45,1  | 14,95   | 46,1  | 15,04   | 46,4  | 15,52 |       |
| 45                                      | 36,5                                   | 11,87                                  | 42,4 | 14,81   | 43,4  | 14,96   | 44    | 15,02 | 44,7  | 15,06   | 45,2  | 15,09   | 45,9  | 15,86 |       |

kWf = Cooling capacity [kW]

kWe = Compressor + Fan power input [kW]

DB=Dry bulb

WB=Wet bulb

# Performance in Cooling

## MSAN-XMi 450T

| Indoor/<br>Outdoor<br>Capacity<br>Ratio | Outdoor air<br>temperature<br>D.B.(°C) | Indoor air temperature D.B / W.B. (°C) |      |         |      |         |       |       |       |         |       |         |       |       |       |
|---|--|--|------|---------|------|---------|-------|-------|-------|---------|-------|---------|-------|-------|-------|
|   |  | 20,8/14                                |      | 23,3/16 |      | 25,8/18 |       | 27/19 |       | 28,2/20 |       | 30,7/22 |       | 32/24 |       |
|   |  | kWf                                    | kWe  | kWf     | kWe  | kWf     | kWe   | kWf   | kWe   | kWf     | kWe   | kWf     | kWe   | kWf   | kWe   |
| 110%                                    | -15                                    | 31,6                                   | 4,57 | 37,7    | 5,69 | 43,8    | 6,81  | 46,9  | 7,35  | 50,3    | 7,94  | 53,4    | 8,2   | 54,6  | 8,44  |
|   | -13                                    | 31,6                                   | 4,59 | 37,7    | 5,69 | 43,8    | 6,85  | 46,9  | 7,37  | 50,3    | 7,94  | 53,4    | 8,22  | 54,6  | 8,49  |
|   | -11                                    | 31,6                                   | 4,59 | 37,7    | 5,73 | 43,8    | 6,85  | 46,9  | 7,39  | 50,3    | 7,97  | 53,4    | 8,24  | 54,6  | 8,49  |
|   | -9                                     | 32,7                                   | 4,63 | 39      | 5,77 | 45,4    | 6,89  | 48,1  | 7,42  | 51,9    | 7,99  | 54,9    | 8,29  | 56    | 8,53  |
|   | -7                                     | 32,7                                   | 4,66 | 39      | 5,77 | 45,4    | 6,89  | 48,1  | 7,42  | 51,9    | 8     | 54,9    | 8,29  | 56    | 8,56  |
|   | -5                                     | 33,4                                   | 4,67 | 39,9    | 5,82 | 46,3    | 6,94  | 49,5  | 7,45  | 52,7    | 8,01  | 56,7    | 8,32  | 58    | 8,58  |
|   | -2                                     | 33,4                                   | 4,76 | 39,9    | 5,89 | 46,3    | 7     | 49,5  | 7,52  | 52,7    | 8,08  | 56,7    | 8,41  | 58    | 8,63  |
|   | 0                                      | 33,4                                   | 4,81 | 39,9    | 5,92 | 46,3    | 7,05  | 49,5  | 7,57  | 52,7    | 8,17  | 56,7    | 8,49  | 58    | 8,73  |
|   | 2                                      | 33,4                                   | 4,91 | 39,9    | 5,98 | 46,3    | 7,16  | 49,5  | 7,65  | 52,7    | 8,25  | 56,7    | 8,61  | 58    | 8,84  |
|   | 4                                      | 33,4                                   | 5,01 | 39,9    | 6,05 | 46,3    | 7,23  | 49,5  | 7,75  | 52,7    | 8,38  | 56,7    | 8,73  | 58    | 8,92  |
|   | 6                                      | 33,4                                   | 5,06 | 39,9    | 6,12 | 46,3    | 7,3   | 49,5  | 7,87  | 52,7    | 8,47  | 56,7    | 8,82  | 58    | 9,06  |
|   | 8                                      | 33,4                                   | 5,11 | 39,9    | 6,22 | 46,3    | 7,38  | 49,5  | 7,95  | 52,7    | 8,57  | 56,7    | 8,88  | 58    | 9,15  |
|   | 10                                     | 33,4                                   | 5,17 | 39,9    | 6,3  | 46,3    | 7,49  | 49,5  | 8,09  | 52,7    | 8,71  | 56,7    | 8,95  | 58    | 9,23  |
|   | 12                                     | 33,4                                   | 5,28 | 39,9    | 6,43 | 46,3    | 7,63  | 49,5  | 8,25  | 52,7    | 8,88  | 56,1    | 9,08  | 57,2  | 9,35  |
|   | 14                                     | 33,4                                   | 5,37 | 39,9    | 6,54 | 46,3    | 7,78  | 49,5  | 8,4   | 52,7    | 9,04  | 55,3    | 9,15  | 56,6  | 9,42  |
|   | 16                                     | 33,4                                   | 5,46 | 39,9    | 6,67 | 46,3    | 7,93  | 49,5  | 8,56  | 52,7    | 9,22  | 54,6    | 9,26  | 55,8  | 9,52  |
|   | 18                                     | 33,4                                   | 5,57 | 39,9    | 6,79 | 46,3    | 8,09  | 49,5  | 8,8   | 52,7    | 9,66  | 53,8    | 9,73  | 55,1  | 9,83  |
|   | 20                                     | 33,4                                   | 5,68 | 39,9    | 6,94 | 46,3    | 8,56  | 49,5  | 9,46  | 51,9    | 10,14 | 53,2    | 10,21 | 54,3  | 10,3  |
|   | 21                                     | 33,4                                   | 5,73 | 39,9    | 7,14 | 46,3    | 8,88  | 49,5  | 9,81  | 51,6    | 10,37 | 52,7    | 10,45 | 54    | 10,54 |
|   | 23                                     | 33,4                                   | 6,01 | 39,9    | 7,65 | 46,3    | 9,52  | 49,5  | 10,52 | 50,8    | 10,83 | 52,1    | 10,94 | 53,2  | 11,03 |
|   | 25                                     | 33,4                                   | 6,41 | 39,9    | 8,18 | 46,3    | 10,17 | 49,5  | 11,27 | 50,1    | 11,3  | 51,3    | 11,41 | 52,6  | 11,51 |
| 27                                      | 33,4                                   | 6,83                                   | 39,9 | 8,75    | 46,3 | 10,89   | 48,7  | 11,74 | 49,3  | 11,78   | 50,6  | 11,89   | 51,8  | 12    |       |
| 29                                      | 33,4                                   | 7,29                                   | 39,9 | 9,33    | 46,3 | 11,63   | 48,1  | 12,22 | 48,7  | 12,27   | 49,8  | 12,38   | 51,1  | 12,49 |       |
| 31                                      | 33,4                                   | 7,76                                   | 39,9 | 9,95    | 46,3 | 12,42   | 47,3  | 12,69 | 47,9  | 12,75   | 49,2  | 12,86   | 50,3  | 12,98 |       |
| 33                                      | 33,4                                   | 8,25                                   | 39,9 | 10,61   | 46   | 13,09   | 46,6  | 13,17 | 47,3  | 13,22   | 48,4  | 13,35   | 49,7  | 13,48 |       |
| 35                                      | 33,4                                   | 8,78                                   | 39,9 | 11,3    | 45,2 | 13,57   | 45,8  | 13,64 | 46,4  | 13,72   | 47,6  | 13,84   | 48,9  | 13,97 |       |
| 37                                      | 33,4                                   | 9,35                                   | 39,9 | 12,04   | 44,5 | 14,06   | 45,2  | 14,12 | 45,6  | 14,19   | 46,9  | 14,34   | 48,1  | 14,46 |       |
| 39                                      | 33,4                                   | 9,93                                   | 39,9 | 12,82   | 43,7 | 14,54   | 44,4  | 14,61 | 45    | 14,68   | 46,1  | 14,83   | 47,4  | 14,97 |       |
| 41                                      | 33,4                                   | 10,04                                  | 39,9 | 12,92   | 43,4 | 14,64   | 44    | 14,71 | 44,7  | 14,79   | 45,5  | 14,93   | 46    | 15,08 |       |
| 43                                      | 33,4                                   | 10,14                                  | 39,9 | 13,09   | 43   | 14,74   | 43,7  | 14,82 | 44,3  | 14,89   | 45,1  | 14,99   | 45,3  | 15,38 |       |
| 45                                      | 33,4                                   | 10,47                                  | 39,9 | 13,16   | 42,6 | 14,88   | 43,2  | 14,99 | 43,9  | 15,02   | 44,7  | 15,4    | 44,9  | 15,74 |       |
| 100%                                    | -15                                    | 28,7                                   | 4,16 | 34,2    | 5,02 | 39,9    | 5,98  | 42,7  | 6,44  | 45,7    | 7,02  | 50,7    | 7,96  | 53,5  | 8,29  |
|   | -13                                    | 28,7                                   | 4,18 | 34,2    | 5,02 | 39,9    | 6,02  | 42,7  | 6,46  | 45,7    | 7,02  | 50,7    | 7,98  | 53,5  | 8,34  |
|   | -11                                    | 28,7                                   | 4,18 | 34,2    | 5,05 | 39,9    | 6,02  | 42,7  | 6,48  | 45,7    | 7,04  | 50,7    | 8     | 53,5  | 8,34  |
|   | -9                                     | 29,7                                   | 4,21 | 35,4    | 5,08 | 41,3    | 6,06  | 43,7  | 6,5   | 47,1    | 7,06  | 52,1    | 8,04  | 54,9  | 8,38  |
|   | -7                                     | 29,7                                   | 4,25 | 35,4    | 5,08 | 41,3    | 6,06  | 43,7  | 6,5   | 47,1    | 7,07  | 52,1    | 8,04  | 54,9  | 8,4   |
|   | -5                                     | 30,4                                   | 4,25 | 36,2    | 5,12 | 42,1    | 6,1   | 45    | 6,53  | 47,9    | 7,09  | 53,8    | 8,08  | 56,9  | 8,43  |
|   | -2                                     | 30,4                                   | 4,31 | 36,2    | 5,19 | 42,1    | 6,17  | 45    | 6,65  | 47,9    | 7,18  | 53,8    | 8,17  | 56,9  | 8,48  |
|   | 0                                      | 30,4                                   | 4,35 | 36,2    | 5,24 | 42,1    | 6,23  | 45    | 6,73  | 47,9    | 7,25  | 53,8    | 8,31  | 56,9  | 8,58  |
|   | 2                                      | 30,4                                   | 4,44 | 36,2    | 5,32 | 42,1    | 6,3   | 45    | 6,82  | 47,9    | 7,33  | 53,8    | 8,43  | 56,9  | 8,71  |
|   | 4                                      | 30,4                                   | 4,47 | 36,2    | 5,37 | 42,1    | 6,4   | 45    | 6,92  | 47,9    | 7,43  | 53,8    | 8,51  | 56,9  | 8,81  |
|   | 6                                      | 30,4                                   | 4,53 | 36,2    | 5,47 | 42,1    | 6,48  | 45    | 7,05  | 47,9    | 7,53  | 53,8    | 8,63  | 56,9  | 8,94  |
|   | 8                                      | 30,4                                   | 4,62 | 36,2    | 5,56 | 42,1    | 6,6   | 45    | 7,13  | 47,9    | 7,66  | 53,8    | 8,77  | 56,9  | 9,09  |
|   | 10                                     | 30,4                                   | 4,67 | 36,2    | 5,66 | 42,1    | 6,7   | 45    | 7,25  | 47,9    | 7,8   | 53,8    | 8,91  | 56,9  | 9,22  |
|   | 12                                     | 30,4                                   | 4,75 | 36,2    | 5,77 | 42,1    | 6,83  | 45    | 7,38  | 47,9    | 7,94  | 53,8    | 9,08  | 56,1  | 9,29  |
|   | 14                                     | 30,4                                   | 4,84 | 36,2    | 5,88 | 42,1    | 6,96  | 45    | 7,52  | 47,9    | 8,09  | 53,8    | 9,26  | 55,4  | 9,41  |
|   | 16                                     | 30,4                                   | 4,93 | 36,2    | 5,99 | 42,1    | 7,1   | 45    | 7,67  | 47,9    | 8,25  | 53,5    | 9,37  | 54,6  | 9,51  |
|   | 18                                     | 30,4                                   | 5,02 | 36,2    | 6,1  | 42,1    | 7,23  | 45    | 7,82  | 47,9    | 8,42  | 52,9    | 9,68  | 54    | 9,75  |
|   | 20                                     | 30,4                                   | 5,11 | 36,2    | 6,23 | 42,1    | 7,45  | 45    | 8,22  | 47,9    | 9,02  | 52,1    | 10,14 | 53,2  | 10,23 |
|   | 21                                     | 30,4                                   | 5,17 | 36,2    | 6,28 | 42,1    | 7,72  | 45    | 8,51  | 47,9    | 9,33  | 51,8    | 10,37 | 52,9  | 10,46 |
|   | 23                                     | 30,4                                   | 5,3  | 36,2    | 6,7  | 42,1    | 8,27  | 45    | 9,11  | 47,9    | 10,01 | 51,1    | 10,85 | 52,1  | 10,94 |
|   | 25                                     | 30,4                                   | 5,64 | 36,2    | 7,16 | 42,1    | 8,86  | 45    | 9,77  | 47,9    | 10,72 | 50,3    | 11,32 | 51,4  | 11,41 |
| 27                                      | 30,4                                   | 6,03                                   | 36,2 | 7,63    | 42,1 | 9,46    | 45    | 10,45 | 47,9  | 11,47   | 49,5  | 11,8    | 50,6  | 11,91 |       |
| 29                                      | 30,4                                   | 6,41                                   | 36,2 | 8,14    | 42,1 | 10,1    | 45    | 11,16 | 47,7  | 12,18   | 48,9  | 12,29   | 50    | 12,38 |       |
| 31                                      | 30,4                                   | 6,83                                   | 36,2 | 8,69    | 42,1 | 10,77   | 45    | 11,91 | 47,1  | 12,66   | 48,1  | 12,76   | 49,2  | 12,87 |       |
| 33                                      | 30,4                                   | 7,25                                   | 36,2 | 9,26    | 42,1 | 11,49   | 45    | 12,71 | 46,3  | 13,13   | 47,4  | 13,24   | 48,5  | 13,37 |       |
| 35                                      | 30,4                                   | 7,71                                   | 36,2 | 9,84    | 42,1 | 12,25   | 45    | 13,55 | 45,5  | 13,6    | 46,6  | 13,73   | 47,7  | 13,84 |       |
| 37                                      | 30,4                                   | 8,2                                    | 36,2 | 10,48   | 42,1 | 13,06   | 44,2  | 14,02 | 44,8  | 14,1    | 46    | 14,22   | 46,9  | 14,34 |       |
| 39                                      | 30,4                                   | 8,71                                   | 36,2 | 11,14   | 42,1 | 13,9    | 43,6  | 14,5  | 44    | 14,57   | 45,2  | 14,7    | 46,3  | 14,85 |       |
| 41                                      | 30,4                                   | 9,12                                   | 36,2 | 11,55   | 42,1 | 14,41   | 42,9  | 14,6  | 43,7  | 14,8    | 44,4  | 15,05   | 45,6  | 15,15 |       |
| 43                                      | 30,4                                   | 9,52                                   | 36,2 | 11,95   | 42,1 | 14,67   | 42,2  | 14,77 | 43,4  | 14,94   | 44,6  | 15,14   | 44,8  | 15,32 |       |
| 45                                      | 30,4                                   | 10,06                                  | 36,2 | 12,49   | 42,1 | 14,92   | 41,3  | 14,97 | 43,2  | 15,21   | 44,3  | 15,38   | 43,9  | 15,52 |       |

kWf = Cooling capacity [kW]  
 kWe = Compressor + Fan power input [kW]  
 DB=Dry bulb  
 WB=Wet bulb

# Performance in Cooling

## MSAN-XMi 450T

| Indoor/<br>Outdoor<br>Capacity<br>Ratio | Outdoor air<br>temperature<br>D.B.(°C) | Indoor air temperature D.B / W.B. (°C) |      |         |      |         |      |       |      |         |      |         |       |       |       |
|---|--|--|------|---------|------|---------|------|-------|------|---------|------|---------|-------|-------|-------|
|   |  | 20,8/14                                |      | 23,3/16 |      | 25,8/18 |      | 27/19 |      | 28,2/20 |      | 30,7/22 |       | 32/24 |       |
|   |  | kWf                                    | kWe  | kWf     | kWe  | kWf     | kWe  | kWf   | kWe  | kWf     | kWe  | kWf     | kWe   | kWf   | kWe   |
| 90%                                     | -15                                    | 25,8                                   | 3,68 | 30,9    | 4,42 | 35,9    | 5,22 | 38,4  | 5,73 | 41,1    | 6,13 | 45,6    | 7     | 50,5  | 8,01  |
|   | -13                                    | 25,8                                   | 3,7  | 30,9    | 4,42 | 35,9    | 5,26 | 38,4  | 5,75 | 41,1    | 6,13 | 45,6    | 7,02  | 50,5  | 8,05  |
|   | -11                                    | 25,8                                   | 3,7  | 30,9    | 4,45 | 35,9    | 5,26 | 38,4  | 5,77 | 41,1    | 6,14 | 45,6    | 7,04  | 50,5  | 8,05  |
|   | -9                                     | 26,7                                   | 3,73 | 32      | 4,48 | 37,2    | 5,29 | 39,4  | 5,79 | 42,4    | 6,16 | 46,8    | 7,08  | 51,8  | 8,1   |
|   | -7                                     | 26,7                                   | 3,76 | 32      | 4,48 | 37,2    | 5,29 | 39,4  | 5,79 | 42,4    | 6,17 | 46,8    | 7,08  | 51,8  | 8,12  |
|   | -5                                     | 27,3                                   | 3,76 | 32,6    | 4,52 | 37,9    | 5,33 | 40,5  | 5,81 | 43,1    | 6,18 | 48,4    | 7,11  | 53,7  | 8,14  |
|   | -2                                     | 27,3                                   | 3,8  | 32,6    | 4,56 | 37,9    | 5,39 | 40,5  | 5,89 | 43,1    | 6,26 | 48,4    | 7,18  | 53,7  | 8,22  |
|   | 0                                      | 27,3                                   | 3,86 | 32,6    | 4,62 | 37,9    | 5,48 | 40,5  | 5,96 | 43,1    | 6,34 | 48,4    | 7,26  | 53,7  | 8,28  |
|   | 2                                      | 27,3                                   | 3,91 | 32,6    | 4,68 | 37,9    | 5,53 | 40,5  | 6,05 | 43,1    | 6,44 | 48,4    | 7,41  | 53,7  | 8,4   |
|   | 4                                      | 27,3                                   | 3,97 | 32,6    | 4,75 | 37,9    | 5,63 | 40,5  | 6,14 | 43,1    | 6,52 | 48,4    | 7,53  | 53,7  | 8,53  |
|   | 6                                      | 27,3                                   | 4,03 | 32,6    | 4,84 | 37,9    | 5,73 | 40,5  | 6,25 | 43,1    | 6,63 | 48,4    | 7,64  | 53,7  | 8,67  |
|   | 8                                      | 27,3                                   | 4,1  | 32,6    | 4,93 | 37,9    | 5,85 | 40,5  | 6,33 | 43,1    | 6,75 | 48,4    | 7,78  | 53,7  | 8,75  |
|   | 10                                     | 27,3                                   | 4,18 | 32,6    | 5,04 | 37,9    | 5,95 | 40,5  | 6,43 | 43,1    | 6,9  | 48,4    | 7,88  | 53,7  | 8,89  |
|   | 12                                     | 27,3                                   | 4,25 | 32,6    | 5,13 | 37,9    | 6,06 | 40,5  | 6,54 | 43,1    | 7,03 | 48,4    | 8,03  | 53,7  | 9,06  |
|   | 14                                     | 27,3                                   | 4,33 | 32,6    | 5,22 | 37,9    | 6,17 | 40,5  | 6,66 | 43,1    | 7,16 | 48,4    | 8,18  | 53,7  | 9,22  |
|   | 16                                     | 27,3                                   | 4,4  | 32,6    | 5,31 | 37,9    | 6,3  | 40,5  | 6,79 | 43,1    | 7,3  | 48,4    | 8,34  | 53,5  | 9,39  |
|   | 18                                     | 27,3                                   | 4,47 | 32,6    | 5,42 | 37,9    | 6,41 | 40,5  | 6,92 | 43,1    | 7,45 | 48,4    | 8,51  | 52,9  | 9,68  |
|   | 20                                     | 27,3                                   | 4,56 | 32,6    | 5,55 | 37,9    | 6,54 | 40,5  | 7,07 | 43,1    | 7,72 | 48,4    | 9,15  | 52,1  | 10,13 |
|   | 21                                     | 27,3                                   | 4,6  | 32,6    | 5,59 | 37,9    | 6,65 | 40,5  | 7,3  | 43,1    | 8    | 48,4    | 9,48  | 51,8  | 10,37 |
|   | 23                                     | 27,3                                   | 4,69 | 32,6    | 5,81 | 37,9    | 7,12 | 40,5  | 7,83 | 43,1    | 8,58 | 48,4    | 10,17 | 50,9  | 10,85 |
|   | 25                                     | 27,3                                   | 4,95 | 32,6    | 6,21 | 37,9    | 7,61 | 40,5  | 8,38 | 43,1    | 9,17 | 48,4    | 10,88 | 50,3  | 11,32 |
| 27                                      | 27,3                                   | 5,26                                   | 32,6 | 6,61    | 37,9 | 8,13    | 40,5 | 8,95  | 43,1 | 9,81    | 48,4 | 11,65   | 49,5  | 11,8  |       |
| 29                                      | 27,3                                   | 5,61                                   | 32,6 | 7,05    | 37,9 | 8,67    | 40,5 | 9,55  | 43,1 | 10,48   | 47,9 | 12,18   | 48,9  | 12,27 |       |
| 31                                      | 27,3                                   | 5,95                                   | 32,6 | 7,51    | 37,9 | 9,24    | 40,5 | 10,19 | 43,1 | 11,18   | 47,1 | 12,65   | 48,1  | 12,76 |       |
| 33                                      | 27,3                                   | 6,32                                   | 32,6 | 7,98    | 37,9 | 9,86    | 40,5 | 10,86 | 43,1 | 11,92   | 46,4 | 13,15   | 47,4  | 13,24 |       |
| 35                                      | 27,3                                   | 6,72                                   | 32,6 | 8,49    | 37,9 | 10,5    | 40,5 | 11,58 | 43,1 | 12,71   | 45,6 | 13,62   | 46,6  | 13,73 |       |
| 37                                      | 27,3                                   | 7,12                                   | 32,6 | 9,02    | 37,9 | 11,18   | 40,5 | 12,33 | 43,1 | 13,55   | 44,8 | 14,1    | 46    | 14,21 |       |
| 39                                      | 27,3                                   | 7,56                                   | 32,6 | 9,61    | 37,9 | 11,89   | 40,5 | 13,13 | 43,1 | 14,43   | 44,2 | 14,59   | 45,2  | 14,7  |       |
| 41                                      | 27,3                                   | 7,82                                   | 32,6 | 10,04   | 37,9 | 12,32   | 40,5 | 13,48 | 43,1 | 14,51   | 43,9 | 14,96   | 44,9  | 15,05 |       |
| 43                                      | 27,3                                   | 8,2                                    | 32,6 | 10,47   | 37,9 | 12,76   | 40,5 | 13,82 | 43,1 | 14,82   | 43,7 | 15,16   | 44,5  | 15,28 |       |
| 45                                      | 27,3                                   | 8,72                                   | 32,6 | 10,99   | 37,9 | 13,28   | 40,5 | 14,29 | 43,1 | 15,23   | 43,4 | 15,31   | 43,8  | 15,48 |       |
| 80%                                     | -15                                    | 22,9                                   | 3,24 | 27,4    | 3,84 | 31,8    | 4,55 | 34,1  | 4,87 | 36,6    | 5,27 | 40,6    | 6,05  | 44,9  | 6,9   |
|   | -13                                    | 22,9                                   | 3,26 | 27,4    | 3,84 | 31,8    | 4,58 | 34,1  | 4,88 | 36,6    | 5,27 | 40,6    | 6,07  | 44,9  | 6,94  |
|   | -11                                    | 22,9                                   | 3,26 | 27,4    | 3,86 | 31,8    | 4,58 | 34,1  | 4,9  | 36,6    | 5,28 | 40,6    | 6,08  | 44,9  | 6,94  |
|   | -9                                     | 23,8                                   | 3,28 | 28,3    | 3,89 | 32,9    | 4,61 | 35    | 4,91 | 37,8    | 5,3  | 41,7    | 6,12  | 46,1  | 6,97  |
|   | -7                                     | 23,8                                   | 3,31 | 28,3    | 3,89 | 32,9    | 4,61 | 35    | 4,91 | 37,8    | 5,3  | 41,7    | 6,12  | 46,1  | 6,99  |
|   | -5                                     | 24,3                                   | 3,32 | 28,9    | 3,92 | 33,6    | 4,64 | 36    | 4,93 | 38,4    | 5,31 | 43,1    | 6,14  | 47,7  | 7,01  |
|   | -2                                     | 24,3                                   | 3,36 | 28,9    | 3,97 | 33,6    | 4,68 | 36    | 5,01 | 38,4    | 5,36 | 43,1    | 6,2   | 47,7  | 7,08  |
|   | 0                                      | 24,3                                   | 3,42 | 28,9    | 4,02 | 33,6    | 4,74 | 36    | 5,07 | 38,4    | 5,46 | 43,1    | 6,29  | 47,7  | 7,18  |
|   | 2                                      | 24,3                                   | 3,49 | 28,9    | 4,08 | 33,6    | 4,81 | 36    | 5,17 | 38,4    | 5,56 | 43,1    | 6,42  | 47,7  | 7,31  |
|   | 4                                      | 24,3                                   | 3,55 | 28,9    | 4,14 | 33,6    | 4,9  | 36    | 5,29 | 38,4    | 5,66 | 43,1    | 6,53  | 47,7  | 7,41  |
|   | 6                                      | 24,3                                   | 3,61 | 28,9    | 4,24 | 33,6    | 4,97 | 36    | 5,4  | 38,4    | 5,76 | 43,1    | 6,63  | 47,7  | 7,54  |
|   | 8                                      | 24,3                                   | 3,68 | 28,9    | 4,34 | 33,6    | 5,09 | 36    | 5,49 | 38,4    | 5,89 | 43,1    | 6,73  | 47,7  | 7,68  |
|   | 10                                     | 24,3                                   | 3,71 | 28,9    | 4,44 | 33,6    | 5,22 | 36    | 5,62 | 38,4    | 6,03 | 43,1    | 6,88  | 47,7  | 7,76  |
|   | 12                                     | 24,3                                   | 3,76 | 28,9    | 4,51 | 33,6    | 5,31 | 36    | 5,73 | 38,4    | 6,15 | 43,1    | 7,01  | 47,7  | 7,91  |
|   | 14                                     | 24,3                                   | 3,84 | 28,9    | 4,6  | 33,6    | 5,41 | 36    | 5,83 | 38,4    | 6,26 | 43,1    | 7,14  | 47,7  | 8,05  |
|   | 16                                     | 24,3                                   | 3,89 | 28,9    | 4,68 | 33,6    | 5,51 | 36    | 5,94 | 38,4    | 6,37 | 43,1    | 7,29  | 47,7  | 8,2   |
|   | 18                                     | 24,3                                   | 3,96 | 28,9    | 4,77 | 33,6    | 5,62 | 36    | 6,06 | 38,4    | 6,5  | 43,1    | 7,43  | 47,7  | 8,36  |
|   | 20                                     | 24,3                                   | 4,04 | 28,9    | 4,86 | 33,6    | 5,73 | 36    | 6,17 | 38,4    | 6,63 | 43,1    | 7,71  | 47,7  | 8,95  |
|   | 21                                     | 24,3                                   | 4,07 | 28,9    | 4,89 | 33,6    | 5,79 | 36    | 6,25 | 38,4    | 6,78 | 43,1    | 7,98  | 47,7  | 9,28  |
|   | 23                                     | 24,3                                   | 4,15 | 28,9    | 5    | 33,6    | 6,06 | 36    | 6,65 | 38,4    | 7,25 | 43,1    | 8,55  | 47,7  | 9,95  |
|   | 25                                     | 24,3                                   | 4,27 | 28,9    | 5,31 | 33,6    | 6,48 | 36    | 7,1  | 38,4    | 7,74 | 43,1    | 9,15  | 47,7  | 10,65 |
| 27                                      | 24,3                                   | 4,55                                   | 28,9 | 5,66    | 33,6 | 6,9     | 36   | 7,58  | 38,4 | 8,27    | 43,1 | 9,77    | 47,7  | 11,4  |       |
| 29                                      | 24,3                                   | 4,84                                   | 28,9 | 6,03    | 33,6 | 7,36    | 36   | 8,07  | 38,4 | 8,84    | 43,1 | 10,43   | 47,7  | 12,18 |       |
| 31                                      | 24,3                                   | 5,13                                   | 28,9 | 6,41    | 33,6 | 7,83    | 36   | 8,6   | 38,4 | 9,42    | 43,1 | 11,14   | 46,9  | 12,66 |       |
| 33                                      | 24,3                                   | 5,46                                   | 28,9 | 6,81    | 33,6 | 8,35    | 36   | 9,17  | 38,4 | 10,03   | 43,1 | 11,87   | 46,3  | 13,13 |       |
| 35                                      | 24,3                                   | 5,79                                   | 28,9 | 7,25    | 33,6 | 8,88    | 36   | 10,39 | 38,4 | 10,68   | 43,1 | 12,66   | 45,5  | 13,6  |       |
| 37                                      | 24,3                                   | 6,14                                   | 28,9 | 7,69    | 33,6 | 9,44    | 36   | 10,39 | 38,4 | 11,38   | 43,1 | 13,5    | 44,8  | 14,08 |       |
| 39                                      | 24,3                                   | 6,5                                    | 28,9 | 8,2     | 33,6 | 10,04   | 36   | 11,05 | 38,4 | 12,11   | 43,1 | 14,37   | 44    | 14,57 |       |
| 41                                      | 24,3                                   | 6,65                                   | 28,9 | 8,27    | 33,6 | 10,19   | 36   | 11,34 | 38,4 | 12,33   | 43,1 | 14,74   | 43,8  | 14,83 |       |
| 43                                      | 24,3                                   | 6,84                                   | 28,9 | 8,35    | 33,6 | 10,34   | 36   | 11,54 | 38,4 | 12,5    | 43,1 | 14,91   | 43,5  | 14,99 |       |
| 45                                      | 24,3                                   | 7,04                                   | 28,9 | 8,44    | 33,6 | 10,54   | 36   | 11,78 | 38,4 | 12,71   | 43,1 | 15,07   | 43    | 15,23 |       |

kWf = Cooling capacity [kW]

kWe = Compressor + Fan power input [kW]

DB=Dry bulb

WB=Wet bulb

# Performance in Cooling

## MSAN-XMi 450T

| Indoor/<br>Outdoor<br>Capacity<br>Ratio | Outdoor air<br>temperature<br>D.B.(°C) | Indoor air temperature D.B / W.B. (°C) |      |         |      |         |      |       |      |         |      |         |      |       |       |
|---|--|--|------|---------|------|---------|------|-------|------|---------|------|---------|------|-------|-------|
|   |  | 20,8/14                                |      | 23,3/16 |      | 25,8/18 |      | 27/19 |      | 28,2/20 |      | 30,7/22 |      | 32/24 |       |
|   |  | kWf                                    | kWe  | kWf     | kWe  | kWf     | kWe  | kWf   | kWe  | kWf     | kWe  | kWf     | kWe  | kWf   | kWe   |
| 70%                                     | -15                                    | 20                                     | 2,9  | 24      | 3,4  | 27,9    | 3,86 | 29,9  | 4,16 | 32      | 4,46 | 35,4    | 5,07 | 39,3  | 5,82  |
|   | -13                                    | 20                                     | 2,91 | 24      | 3,4  | 27,9    | 3,88 | 29,9  | 4,17 | 32      | 4,46 | 35,4    | 5,09 | 39,3  | 5,86  |
|   | -11                                    | 20                                     | 2,91 | 24      | 3,42 | 27,9    | 3,88 | 29,9  | 4,19 | 32      | 4,47 | 35,4    | 5,1  | 39,3  | 5,86  |
|   | -9                                     | 20,8                                   | 2,93 | 24,9    | 3,44 | 28,8    | 3,91 | 30,6  | 4,2  | 33      | 4,49 | 36,4    | 5,13 | 40,4  | 5,89  |
|   | -7                                     | 20,8                                   | 2,96 | 24,9    | 3,44 | 28,8    | 3,91 | 30,6  | 4,2  | 33      | 4,49 | 36,4    | 5,13 | 40,4  | 5,9   |
|   | -5                                     | 21,2                                   | 2,96 | 25,4    | 3,47 | 29,4    | 3,93 | 31,5  | 4,22 | 33,6    | 4,5  | 37,6    | 5,15 | 41,8  | 5,92  |
|   | -2                                     | 21,2                                   | 2,98 | 25,4    | 3,49 | 29,4    | 3,96 | 31,5  | 4,3  | 33,6    | 4,58 | 37,6    | 5,23 | 41,8  | 6     |
|   | 0                                      | 21,2                                   | 3    | 25,4    | 3,54 | 29,4    | 4,04 | 31,5  | 4,38 | 33,6    | 4,66 | 37,6    | 5,34 | 41,8  | 6,08  |
|   | 2                                      | 21,2                                   | 3,02 | 25,4    | 3,55 | 29,4    | 4,1  | 31,5  | 4,46 | 33,6    | 4,74 | 37,6    | 5,45 | 41,8  | 6,18  |
|   | 4                                      | 21,2                                   | 3,06 | 25,4    | 3,64 | 29,4    | 4,19 | 31,5  | 4,54 | 33,6    | 4,85 | 37,6    | 5,54 | 41,8  | 6,32  |
|   | 6                                      | 21,2                                   | 3,11 | 25,4    | 3,7  | 29,4    | 4,3  | 31,5  | 4,69 | 33,6    | 4,96 | 37,6    | 5,64 | 41,8  | 6,45  |
|   | 8                                      | 21,2                                   | 3,16 | 25,4    | 3,81 | 29,4    | 4,39 | 31,5  | 4,76 | 33,6    | 5,07 | 37,6    | 5,8  | 41,8  | 6,57  |
|   | 10                                     | 21,2                                   | 3,23 | 25,4    | 3,87 | 29,4    | 4,51 | 31,5  | 4,86 | 33,6    | 5,2  | 37,6    | 5,92 | 41,8  | 6,65  |
|   | 12                                     | 21,2                                   | 3,31 | 25,4    | 3,93 | 29,4    | 4,6  | 31,5  | 4,95 | 33,6    | 5,3  | 37,6    | 6,03 | 41,8  | 6,78  |
|   | 14                                     | 21,2                                   | 3,36 | 25,4    | 4    | 29,4    | 4,68 | 31,5  | 5,02 | 33,6    | 5,39 | 37,6    | 6,14 | 41,8  | 6,9   |
|   | 16                                     | 21,2                                   | 3,42 | 25,4    | 4,07 | 29,4    | 4,77 | 31,5  | 5,13 | 33,6    | 5,5  | 37,6    | 6,25 | 41,8  | 7,03  |
|   | 18                                     | 21,2                                   | 3,47 | 25,4    | 4,15 | 29,4    | 4,86 | 31,5  | 5,22 | 33,6    | 5,59 | 37,6    | 6,37 | 41,8  | 7,18  |
|   | 20                                     | 21,2                                   | 3,52 | 25,4    | 4,22 | 29,4    | 4,95 | 31,5  | 5,31 | 33,6    | 5,7  | 37,6    | 6,5  | 41,8  | 7,38  |
|   | 21                                     | 21,2                                   | 3,56 | 25,4    | 4,26 | 29,4    | 4,99 | 31,5  | 5,37 | 33,6    | 5,75 | 37,6    | 6,59 | 41,8  | 7,63  |
|   | 23                                     | 21,2                                   | 3,62 | 25,4    | 4,33 | 29,4    | 5,1  | 31,5  | 5,55 | 33,6    | 6,04 | 37,6    | 7,07 | 41,8  | 8,18  |
|   | 25                                     | 21,2                                   | 3,69 | 25,4    | 4,51 | 29,4    | 5,42 | 31,5  | 5,94 | 33,6    | 6,45 | 37,6    | 7,56 | 41,8  | 8,75  |
|   | 27                                     | 21,2                                   | 3,91 | 25,4    | 4,8  | 29,4    | 5,79 | 31,5  | 6,32 | 33,6    | 6,88 | 37,6    | 8,07 | 41,8  | 9,35  |
|   | 29                                     | 21,2                                   | 4,15 | 25,4    | 5,1  | 29,4    | 6,15 | 31,5  | 6,74 | 33,6    | 7,32 | 37,6    | 8,6  | 41,8  | 9,99  |
|   | 31                                     | 21,2                                   | 4,38 | 25,4    | 5,41 | 29,4    | 6,56 | 31,5  | 7,16 | 33,6    | 7,8  | 37,6    | 9,17 | 41,8  | 10,65 |
|   | 33                                     | 21,2                                   | 4,66 | 25,4    | 5,75 | 29,4    | 6,98 | 31,5  | 7,62 | 33,6    | 8,31 | 37,6    | 9,77 | 41,8  | 11,36 |
| 35                                      | 21,2                                   | 4,93                                   | 25,4 | 6,1     | 29,4 | 7,4     | 31,5 | 8,11  | 33,6 | 8,84    | 37,6 | 10,41   | 41,8 | 12,11 |       |
| 37                                      | 21,2                                   | 5,2                                    | 25,4 | 6,46    | 29,4 | 7,87    | 31,5 | 8,6   | 33,6 | 9,4     | 37,6 | 11,08   | 41,8 | 12,89 |       |
| 39                                      | 21,2                                   | 5,52                                   | 25,4 | 6,85    | 29,4 | 8,35    | 31,5 | 9,15  | 33,6 | 9,99    | 37,6 | 11,78   | 41,8 | 13,73 |       |
| 41                                      | 21,2                                   | 5,76                                   | 25,4 | 7,09    | 29,4 | 8,59    | 31,5 | 9,45  | 33,6 | 10,29   | 37,6 | 12,27   | 41,8 | 14,34 |       |
| 43                                      | 21,2                                   | 6,23                                   | 25,4 | 7,58    | 29,4 | 8,94    | 31,5 | 9,96  | 33,6 | 10,6    | 37,6 | 12,71   | 41,8 | 14,79 |       |
| 45                                      | 21,2                                   | 6,37                                   | 25,4 | 7,74    | 29,4 | 9,13    | 31,5 | 10,12 | 33,6 | 11,12   | 37,6 | 13,4    | 41,8 | 15,35 |       |
| 60%                                     | -15                                    | 17,2                                   | 2,47 | 20,5    | 2,87 | 23,9    | 3,35 | 25,6  | 3,59 | 27,4    | 3,89 | 30,4    | 4,34 | 33,7  | 4,98  |
|   | -13                                    | 17,2                                   | 2,48 | 20,5    | 2,87 | 23,9    | 3,37 | 25,6  | 3,6  | 27,4    | 3,89 | 30,4    | 4,35 | 33,7  | 5     |
|   | -11                                    | 17,2                                   | 2,48 | 20,5    | 2,89 | 23,9    | 3,37 | 25,6  | 3,61 | 27,4    | 3,9  | 30,4    | 4,37 | 33,7  | 5     |
|   | -9                                     | 17,8                                   | 2,5  | 21,3    | 2,91 | 24,7    | 3,39 | 26,2  | 3,62 | 28,3    | 3,91 | 31,3    | 4,39 | 34,6  | 5,03  |
|   | -7                                     | 17,8                                   | 2,52 | 21,3    | 2,91 | 24,7    | 3,39 | 26,2  | 3,62 | 28,3    | 3,92 | 31,3    | 4,39 | 34,6  | 5,04  |
|   | -5                                     | 18,2                                   | 2,52 | 21,7    | 2,93 | 25,2    | 3,41 | 27    | 3,64 | 28,8    | 3,93 | 32,3    | 4,41 | 35,8  | 5,06  |
|   | -2                                     | 18,2                                   | 2,54 | 21,7    | 2,97 | 25,2    | 3,47 | 27    | 3,69 | 28,8    | 3,97 | 32,3    | 4,47 | 35,8  | 5,09  |
|   | 0                                      | 18,2                                   | 2,58 | 21,7    | 3,01 | 25,2    | 3,52 | 27    | 3,73 | 28,8    | 4,03 | 32,3    | 4,54 | 35,8  | 5,16  |
|   | 2                                      | 18,2                                   | 2,62 | 21,7    | 3,08 | 25,2    | 3,59 | 27    | 3,81 | 28,8    | 4,09 | 32,3    | 4,63 | 35,8  | 5,22  |
|   | 4                                      | 18,2                                   | 2,7  | 21,7    | 3,14 | 25,2    | 3,66 | 27    | 3,85 | 28,8    | 4,15 | 32,3    | 4,71 | 35,8  | 5,3   |
|   | 6                                      | 18,2                                   | 2,72 | 21,7    | 3,2  | 25,2    | 3,73 | 27    | 3,94 | 28,8    | 4,23 | 32,3    | 4,8  | 35,8  | 5,42  |
|   | 8                                      | 18,2                                   | 2,78 | 21,7    | 3,25 | 25,2    | 3,79 | 27    | 4,01 | 28,8    | 4,32 | 32,3    | 4,89 | 35,8  | 5,51  |
|   | 10                                     | 18,2                                   | 2,83 | 21,7    | 3,32 | 25,2    | 3,85 | 27    | 4,13 | 28,8    | 4,4  | 32,3    | 4,98 | 35,8  | 5,59  |
|   | 12                                     | 18,2                                   | 2,89 | 21,7    | 3,38 | 25,2    | 3,93 | 27    | 4,2  | 28,8    | 4,47 | 32,3    | 5,08 | 35,8  | 5,68  |
|   | 14                                     | 18,2                                   | 2,92 | 21,7    | 3,43 | 25,2    | 3,98 | 27    | 4,27 | 28,8    | 4,56 | 32,3    | 5,17 | 35,8  | 5,79  |
|   | 16                                     | 18,2                                   | 2,96 | 21,7    | 3,49 | 25,2    | 4,05 | 27    | 4,35 | 28,8    | 4,64 | 32,3    | 5,26 | 35,8  | 5,9   |
|   | 18                                     | 18,2                                   | 3,01 | 21,7    | 3,54 | 25,2    | 4,13 | 27    | 4,42 | 28,8    | 4,73 | 32,3    | 5,35 | 35,8  | 6,01  |
|   | 20                                     | 18,2                                   | 3,05 | 21,7    | 3,62 | 25,2    | 4,2  | 27    | 4,51 | 28,8    | 4,82 | 32,3    | 5,46 | 35,8  | 6,14  |
|   | 21                                     | 18,2                                   | 3,09 | 21,7    | 3,63 | 25,2    | 4,24 | 27    | 4,55 | 28,8    | 4,86 | 32,3    | 5,51 | 35,8  | 6,19  |
|   | 23                                     | 18,2                                   | 3,12 | 21,7    | 3,71 | 25,2    | 4,31 | 27    | 4,64 | 28,8    | 4,95 | 32,3    | 5,73 | 35,8  | 6,59  |
|   | 25                                     | 18,2                                   | 3,18 | 21,7    | 3,76 | 25,2    | 4,47 | 27    | 4,86 | 28,8    | 5,26 | 32,3    | 6,12 | 35,8  | 7,03  |
|   | 27                                     | 18,2                                   | 3,3  | 21,7    | 4    | 25,2    | 4,77 | 27    | 5,19 | 28,8    | 5,61 | 32,3    | 6,52 | 35,8  | 7,5   |
|   | 29                                     | 18,2                                   | 3,49 | 21,7    | 4,24 | 25,2    | 5,08 | 27    | 5,51 | 28,8    | 5,97 | 32,3    | 6,96 | 35,8  | 8,02  |
|   | 31                                     | 18,2                                   | 3,71 | 21,7    | 4,49 | 25,2    | 5,39 | 27    | 5,86 | 28,8    | 6,35 | 32,3    | 7,39 | 35,8  | 8,53  |
|   | 33                                     | 18,2                                   | 3,91 | 21,7    | 4,77 | 25,2    | 5,71 | 27    | 6,23 | 28,8    | 6,76 | 32,3    | 7,87 | 35,8  | 9,09  |
| 35                                      | 18,2                                   | 4,14                                   | 21,7 | 5,06    | 25,2 | 6,06    | 27   | 7,01  | 28,8 | 7,18    | 32,3 | 8,38    | 35,8 | 9,68  |       |
| 37                                      | 18,2                                   | 4,38                                   | 21,7 | 5,35    | 25,2 | 6,43    | 27   | 7,43  | 28,8 | 7,61    | 32,3 | 8,91    | 35,8 | 10,3  |       |
| 39                                      | 18,2                                   | 4,62                                   | 21,7 | 5,66    | 25,2 | 6,81    | 27   | 7,83  | 28,8 | 8,09    | 32,3 | 9,46    | 35,8 | 10,96 |       |
| 41                                      | 18,2                                   | 4,77                                   | 21,7 | 5,9     | 25,2 | 7,06    | 27   | 7,73  | 28,8 | 8,39    | 32,3 | 9,9     | 35,8 | 11,45 |       |
| 43                                      | 18,2                                   | 4,92                                   | 21,7 | 6,15    | 25,2 | 7,31    | 27   | 7,96  | 28,8 | 8,68    | 32,3 | 10,32   | 35,8 | 11,95 |       |
| 45                                      | 18,2                                   | 5,15                                   | 21,7 | 6,47    | 25,2 | 7,6     | 27   | 8,26  | 28,8 | 9,11    | 32,3 | 10,79   | 35,8 | 12,61 |       |

kWf = Cooling capacity [kW]

kWe = Compressor + Fan power input [kW]

DB=Dry bulb

WB=Wet bulb

# Performance in Cooling

## MSAN-XMi 450T

| Indoor/<br>Outdoor<br>Capacity<br>Ratio | Outdoor air<br>temperature<br>D.B.(°C) | Indoor air temperature D.B / W.B. (°C) |      |         |      |         |      |       |      |         |      |         |      |       |      |
|---|--|--|------|---------|------|---------|------|-------|------|---------|------|---------|------|-------|------|
|   |  | 20,8/14                                |      | 23,3/16 |      | 25,8/18 |      | 27/19 |      | 28,2/20 |      | 30,7/22 |      | 32/24 |      |
|   |  | kWf                                    | kWe  | kWf     | kWe  | kWf     | kWe  | kWf   | kWe  | kWf     | kWe  | kWf     | kWe  | kWf   | kWe  |
| 50%                                     | -15                                    | 14,3                                   | 2,15 | 17,2    | 2,48 | 19,9    | 2,86 | 21,3  | 3,01 | 22,8    | 3,19 | 25,3    | 3,61 | 28,1  | 3,88 |
|   | -13                                    | 14,3                                   | 2,15 | 17,2    | 2,48 | 19,9    | 2,88 | 21,3  | 3,02 | 22,8    | 3,19 | 25,3    | 3,62 | 28,1  | 3,9  |
|   | -11                                    | 14,3                                   | 2,15 | 17,2    | 2,5  | 19,9    | 2,88 | 21,3  | 3,03 | 22,8    | 3,2  | 25,3    | 3,62 | 28,1  | 3,9  |
|   | -9                                     | 14,9                                   | 2,17 | 17,8    | 2,52 | 20,6    | 2,89 | 21,9  | 3,04 | 23,6    | 3,21 | 26      | 3,64 | 28,9  | 3,92 |
|   | -7                                     | 14,9                                   | 2,19 | 17,8    | 2,52 | 20,6    | 2,89 | 21,9  | 3,04 | 23,6    | 3,21 | 26      | 3,64 | 28,9  | 3,93 |
|   | -5                                     | 15,2                                   | 2,19 | 18,2    | 2,54 | 21,1    | 2,91 | 22,5  | 3,05 | 23,9    | 3,22 | 26,8    | 3,66 | 29,9  | 3,94 |
|   | -2                                     | 15,2                                   | 2,21 | 18,2    | 2,59 | 21,1    | 2,94 | 22,5  | 3,09 | 23,9    | 3,28 | 26,8    | 3,71 | 29,9  | 4    |
|   | 0                                      | 15,2                                   | 2,25 | 18,2    | 2,63 | 21,1    | 3    | 22,5  | 3,13 | 23,9    | 3,31 | 26,8    | 3,77 | 29,9  | 4,07 |
|   | 2                                      | 15,2                                   | 2,28 | 18,2    | 2,66 | 21,1    | 3,05 | 22,5  | 3,18 | 23,9    | 3,37 | 26,8    | 3,79 | 29,9  | 4,14 |
|   | 4                                      | 15,2                                   | 2,3  | 18,2    | 2,71 | 21,1    | 3,08 | 22,5  | 3,22 | 23,9    | 3,44 | 26,8    | 3,88 | 29,9  | 4,25 |
|   | 6                                      | 15,2                                   | 2,34 | 18,2    | 2,75 | 21,1    | 3,13 | 22,5  | 3,29 | 23,9    | 3,5  | 26,8    | 3,94 | 29,9  | 4,38 |
|   | 8                                      | 15,2                                   | 2,4  | 18,2    | 2,8  | 21,1    | 3,18 | 22,5  | 3,37 | 23,9    | 3,55 | 26,8    | 4    | 29,9  | 4,52 |
|   | 10                                     | 15,2                                   | 2,45 | 18,2    | 2,83 | 21,1    | 3,23 | 22,5  | 3,42 | 23,9    | 3,65 | 26,8    | 4,11 | 29,9  | 4,58 |
|   | 12                                     | 15,2                                   | 2,47 | 18,2    | 2,87 | 21,1    | 3,29 | 22,5  | 3,49 | 23,9    | 3,72 | 26,8    | 4,18 | 29,9  | 4,66 |
|   | 14                                     | 15,2                                   | 2,5  | 18,2    | 2,9  | 21,1    | 3,32 | 22,5  | 3,56 | 23,9    | 3,78 | 26,8    | 4,25 | 29,9  | 4,75 |
|   | 16                                     | 15,2                                   | 2,54 | 18,2    | 2,94 | 21,1    | 3,38 | 22,5  | 3,62 | 23,9    | 3,83 | 26,8    | 4,33 | 29,9  | 4,82 |
|   | 18                                     | 15,2                                   | 2,57 | 18,2    | 2,99 | 21,1    | 3,43 | 22,5  | 3,67 | 23,9    | 3,91 | 26,8    | 4,4  | 29,9  | 4,91 |
|   | 20                                     | 15,2                                   | 2,61 | 18,2    | 3,03 | 21,1    | 3,49 | 22,5  | 3,72 | 23,9    | 3,98 | 26,8    | 4,47 | 29,9  | 5    |
|   | 21                                     | 15,2                                   | 2,63 | 18,2    | 3,07 | 21,1    | 3,52 | 22,5  | 3,76 | 23,9    | 4,02 | 26,8    | 4,53 | 29,9  | 5,06 |
|   | 23                                     | 15,2                                   | 2,67 | 18,2    | 3,1  | 21,1    | 3,58 | 22,5  | 3,83 | 23,9    | 4,09 | 26,8    | 4,6  | 29,9  | 5,17 |
|   | 25                                     | 15,2                                   | 2,7  | 18,2    | 3,16 | 21,1    | 3,65 | 22,5  | 3,91 | 23,9    | 4,22 | 26,8    | 4,84 | 29,9  | 5,51 |
| 27                                      | 15,2                                   | 2,76                                   | 18,2 | 3,29    | 21,1 | 3,85    | 22,5 | 4,16  | 23,9 | 4,47    | 26,8 | 5,15    | 29,9 | 5,88  |      |
| 29                                      | 15,2                                   | 2,9                                    | 18,2 | 3,47    | 21,1 | 4,09    | 22,5 | 4,42  | 23,9 | 4,77    | 26,8 | 5,48    | 29,9 | 6,26  |      |
| 31                                      | 15,2                                   | 3,07                                   | 18,2 | 3,67    | 21,1 | 4,33    | 22,5 | 4,69  | 23,9 | 5,06    | 26,8 | 5,82    | 29,9 | 6,66  |      |
| 33                                      | 15,2                                   | 3,25                                   | 18,2 | 3,89    | 21,1 | 4,6     | 22,5 | 4,97  | 23,9 | 5,37    | 26,8 | 6,19    | 29,9 | 7,08  |      |
| 35                                      | 15,2                                   | 3,43                                   | 18,2 | 4,11    | 21,1 | 4,86    | 22,5 | 5,26  | 23,9 | 5,68    | 26,8 | 6,57    | 29,9 | 7,52  |      |
| 37                                      | 15,2                                   | 3,62                                   | 18,2 | 4,35    | 21,1 | 5,15    | 22,5 | 5,57  | 23,9 | 6,03    | 26,8 | 6,98    | 29,9 | 8     |      |
| 39                                      | 15,2                                   | 3,82                                   | 18,2 | 4,58    | 21,1 | 5,44    | 22,5 | 5,9   | 23,9 | 6,39    | 26,8 | 7,4     | 29,9 | 8,49  |      |
| 41                                      | 15,2                                   | 3,97                                   | 18,2 | 4,78    | 21,1 | 5,64    | 22,5 | 6,17  | 23,9 | 6,67    | 26,8 | 7,79    | 29,9 | 8,89  |      |
| 43                                      | 15,2                                   | 4,24                                   | 18,2 | 5,11    | 21,1 | 5,84    | 22,5 | 6,45  | 23,9 | 6,84    | 26,8 | 8,18    | 29,9 | 9,28  |      |
| 45                                      | 15,2                                   | 4,33                                   | 18,2 | 5,24    | 21,1 | 6,23    | 22,5 | 6,95  | 23,9 | 7,13    | 26,8 | 8,97    | 29,9 | 10,07 |      |

kWf = Cooling capacity [kW]

kWe = Compressor + Fan power input [kW]

DB=Dry bulb

WB=Wet bulb

**Notes:**

It is recommended to have system with Indoor/Outdoor Capacity Ratio less than 130%

Avoid running the unit in cooling mode when outdoor air temperature is above 43°C DB

The above capacity tables show the average values in operating conditions

# Performance in Heating

## MSAN-XMi 80M

| Indoor/<br>Outdoor<br>Capacity<br>Ratio | Indoor air temperature D.B. (°C) |           |      |      |      |      |      |      |      |      |      |      |      |      |
|---|----------------------------------|-----------|------|------|------|------|------|------|------|------|------|------|------|------|
|   | Outdoor air temperature (°C)     |           | 16   |      | 18   |      | 20   |      | 21   |      | 22   |      | 24   |      |
|   | D.B. (°C)                        | W.B. (°C) | kWt  | kWe  | kWt  | kWe  | kWt  | kWe  | kWt  | kWe  | kWt  | kWe  | kWt  | kWe  |
| 130%                                    | -13,7                            | -15       | 5,1  | 1,42 | 5,1  | 1,5  | 5,1  | 1,58 | 5,1  | 1,62 | 5,1  | 1,66 | 5,1  | 1,74 |
|   | -11,8                            | -13       | 5,3  | 1,48 | 5,3  | 1,56 | 5,3  | 1,63 | 5,3  | 1,67 | 5,3  | 1,71 | 5,3  | 1,79 |
|   | -9,8                             | -11       | 5,6  | 1,54 | 5,6  | 1,62 | 5,5  | 1,69 | 5,5  | 1,73 | 5,5  | 1,77 | 5,5  | 1,84 |
|   | -9,5                             | -10       | 5,7  | 1,58 | 5,7  | 1,65 | 5,7  | 1,72 | 5,7  | 1,76 | 5,6  | 1,79 | 5,6  | 1,86 |
|   | -8,5                             | -9,1      | 5,8  | 1,6  | 5,8  | 1,67 | 5,8  | 1,75 | 5,8  | 1,78 | 5,8  | 1,82 | 5,8  | 1,89 |
|   | -7                               | -7,6      | 6    | 1,65 | 6    | 1,72 | 6    | 1,79 | 6    | 1,82 | 6    | 1,85 | 6    | 1,92 |
|   | -5                               | -5,6      | 6,4  | 1,71 | 6,3  | 1,78 | 6,3  | 1,84 | 6,3  | 1,88 | 6,3  | 1,91 | 6,3  | 1,97 |
|   | -3                               | -3,7      | 6,7  | 1,77 | 6,6  | 1,83 | 6,6  | 1,89 | 6,6  | 1,92 | 6,6  | 1,95 | 6,6  | 2,02 |
|   | 0                                | -0,7      | 7,2  | 1,85 | 7,2  | 1,91 | 7,2  | 1,97 | 7,2  | 1,99 | 7,1  | 2,03 | 7,1  | 2,08 |
|   | 3                                | 2,2       | 7,7  | 1,93 | 7,7  | 1,99 | 7,7  | 2,04 | 7,7  | 2,06 | 7,7  | 2,09 | 7,7  | 2,14 |
|   | 5                                | 4,1       | 8,1  | 1,98 | 8,1  | 2,03 | 8,1  | 2,08 | 8,1  | 2,11 | 8,1  | 2,13 | 8,1  | 2,18 |
|   | 7                                | 6         | 8,5  | 2,03 | 8,5  | 2,07 | 8,5  | 2,12 | 8,5  | 2,15 | 8,5  | 2,17 | 8,2  | 2,08 |
|   | 9                                | 7,9       | 9    | 2,07 | 9    | 2,12 | 9    | 2,16 | 8,9  | 2,18 | 8,8  | 2,14 | 8,2  | 1,96 |
|   | 11                               | 9,8       | 9,4  | 2,11 | 9,4  | 2,15 | 9,4  | 2,18 | 9,1  | 2,09 | 8,8  | 2,01 | 8,2  | 1,84 |
|   | 13                               | 11,8      | 9,9  | 2,15 | 9,9  | 2,19 | 9,4  | 2,04 | 9,1  | 1,96 | 8,8  | 1,89 | 8,2  | 1,73 |
| 15                                      | 13,7                             | 10,4      | 2,19 | 10   | 2,08 | 9,4  | 1,92 | 9,1  | 1,85 | 8,8  | 1,78 | 8,2  | 1,63 |      |
| 120%                                    | -13,7                            | -15       | 5,1  | 1,52 | 5,1  | 1,6  | 5,1  | 1,67 | 5,1  | 1,71 | 5,1  | 1,75 | 5    | 1,82 |
|   | -11,8                            | -13       | 5,3  | 1,58 | 5,3  | 1,66 | 5,3  | 1,73 | 5,3  | 1,76 | 5,3  | 1,8  | 5,3  | 1,87 |
|   | -9,8                             | -11       | 5,6  | 1,64 | 5,5  | 1,71 | 5,5  | 1,78 | 5,5  | 1,82 | 5,5  | 1,85 | 5,5  | 1,92 |
|   | -9,5                             | -10       | 5,7  | 1,67 | 5,7  | 1,74 | 5,6  | 1,81 | 5,6  | 1,84 | 5,6  | 1,87 | 5,6  | 1,94 |
|   | -8,5                             | -9,1      | 5,8  | 1,7  | 5,8  | 1,76 | 5,8  | 1,83 | 5,8  | 1,86 | 5,8  | 1,9  | 5,7  | 1,96 |
|   | -7                               | -7,6      | 6    | 1,74 | 6    | 1,81 | 6    | 1,87 | 6    | 1,9  | 6    | 1,93 | 6    | 1,99 |
|   | -5                               | -5,6      | 6,3  | 1,8  | 6,3  | 1,86 | 6,3  | 1,92 | 6,3  | 1,95 | 6,3  | 1,98 | 6,3  | 2,04 |
|   | -3                               | -3,7      | 6,6  | 1,85 | 6,6  | 1,91 | 6,6  | 1,97 | 6,6  | 1,99 | 6,6  | 2,02 | 6,6  | 2,08 |
|   | 0                                | -0,7      | 7,2  | 1,93 | 7,2  | 1,99 | 7,1  | 2,04 | 7,1  | 2,06 | 7,1  | 2,09 | 7,1  | 2,14 |
|   | 3                                | 2,2       | 7,7  | 2    | 7,7  | 2,05 | 7,7  | 2,1  | 7,7  | 2,13 | 7,7  | 2,15 | 7,5  | 2,14 |
|   | 5                                | 4,1       | 8,1  | 2,05 | 8,1  | 2,09 | 8,1  | 2,14 | 8,1  | 2,16 | 8,1  | 2,19 | 7,5  | 2,01 |
|   | 7                                | 6         | 8,5  | 2,09 | 8,5  | 2,13 | 8,5  | 2,18 | 8,4  | 2,15 | 8,1  | 2,06 | 7,5  | 1,89 |
|   | 9                                | 7,9       | 9    | 2,13 | 8,9  | 2,17 | 8,6  | 2,1  | 8,4  | 2,02 | 8,1  | 1,94 | 7,5  | 1,78 |
|   | 11                               | 9,8       | 9,4  | 2,17 | 9,2  | 2,13 | 8,6  | 1,98 | 8,4  | 1,9  | 8,1  | 1,82 | 7,5  | 1,68 |
|   | 13                               | 11,8      | 9,8  | 2,15 | 9,2  | 2    | 8,6  | 1,85 | 8,4  | 1,78 | 8,1  | 1,71 | 7,5  | 1,58 |
| 15                                      | 13,7                             | 9,8       | 2,02 | 9,2  | 1,88 | 8,6  | 1,75 | 8,4  | 1,68 | 8,1  | 1,62 | 7,5  | 1,49 |      |
| 110%                                    | -13,7                            | -15       | 5,1  | 1,63 | 5,1  | 1,7  | 5    | 1,77 | 5    | 1,81 | 5    | 1,84 | 5    | 1,91 |
|   | -11,8                            | -13       | 5,3  | 1,69 | 5,3  | 1,76 | 5,3  | 1,82 | 5,3  | 1,85 | 5,2  | 1,89 | 5,2  | 1,95 |
|   | -9,8                             | -11       | 5,5  | 1,74 | 5,5  | 1,81 | 5,5  | 1,87 | 5,5  | 1,9  | 5,5  | 1,93 | 5,5  | 1,99 |
|   | -9,5                             | -10       | 5,7  | 1,77 | 5,6  | 1,83 | 5,6  | 1,89 | 5,6  | 1,92 | 5,6  | 1,96 | 5,6  | 2,02 |
|   | -8,5                             | -9,1      | 5,8  | 1,79 | 5,8  | 1,86 | 5,8  | 1,92 | 5,7  | 1,95 | 5,7  | 1,98 | 5,7  | 1,8  |
|   | -7                               | -7,6      | 6    | 1,84 | 6    | 1,89 | 6    | 1,95 | 6    | 1,98 | 6    | 2,01 | 5,9  | 2,07 |
|   | -5                               | -5,6      | 6,3  | 1,89 | 6,3  | 1,94 | 6,3  | 2    | 6,3  | 2,02 | 6,3  | 2,05 | 6,2  | 2,11 |
|   | -3                               | -3,7      | 6,6  | 1,94 | 6,6  | 1,99 | 6,6  | 2,04 | 6,6  | 2,07 | 6,6  | 2,09 | 6,6  | 2,15 |
|   | 0                                | -0,7      | 7,1  | 2,01 | 7,1  | 2,06 | 7,1  | 2,11 | 7,1  | 2,13 | 7,1  | 2,15 | 6,9  | 2,11 |
|   | 3                                | 2,2       | 7,7  | 2,08 | 7,7  | 2,12 | 7,7  | 2,16 | 7,7  | 2,19 | 7,4  | 2,1  | 6,9  | 1,92 |
|   | 5                                | 4,1       | 8,1  | 2,12 | 8,1  | 2,16 | 7,9  | 2,14 | 7,7  | 2,05 | 7,4  | 1,97 | 6,9  | 1,81 |
|   | 7                                | 6         | 8,5  | 2,15 | 8,4  | 2,17 | 7,9  | 2,01 | 7,7  | 1,93 | 7,4  | 1,85 | 6,9  | 1,7  |
|   | 9                                | 7,9       | 8,9  | 2,19 | 8,4  | 2,04 | 7,9  | 1,89 | 7,7  | 1,82 | 7,4  | 1,74 | 6,9  | 1,6  |
|   | 11                               | 9,8       | 8,9  | 2,06 | 8,4  | 1,92 | 7,9  | 1,78 | 7,7  | 1,71 | 7,4  | 1,64 | 6,9  | 1,51 |
|   | 13                               | 11,8      | 8,9  | 1,93 | 8,4  | 1,8  | 7,9  | 1,67 | 7,7  | 1,61 | 7,4  | 1,55 | 6,9  | 1,43 |
| 15                                      | 13,7                             | 8,9       | 1,72 | 8,4  | 1,7  | 7,9  | 1,58 | 7,7  | 1,52 | 7,4  | 1,46 | 6,9  | 1,35 |      |

kWt = Heating capacity [kW]  
 kWe = Compressor + Fan power input [kW]  
 DB=Dry bulb  
 WB=Wet bulb

# Performance in Heating

## MSAN-XMi 80M

| Indoor/<br>Outdoor<br>Capacity<br>Ratio | Indoor air temperature D.B. (°C) |           |      |      |      |      |      |      |      |      |      |      |      |      |
|---|----------------------------------|-----------|------|------|------|------|------|------|------|------|------|------|------|------|
|   | Outdoor air temperature (°C)     |           | 16   |      | 18   |      | 20   |      | 21   |      | 22   |      | 24   |      |
|   | D.B. (°C)                        | W.B. (°C) | kWt  | kWe  | kWt  | kWe  | kWt  | kWe  | kWt  | kWe  | kWt  | kWe  | kWt  | kWe  |
| 100%                                    | -13,7                            | -15       | 5,1  | 1,74 | 5    | 1,81 | 5    | 1,87 | 5    | 1,9  | 5    | 1,93 | 5    | 1,99 |
|   | -11,8                            | -13       | 5,3  | 1,79 | 5,3  | 1,85 | 5,2  | 1,91 | 5,2  | 1,94 | 5,2  | 1,97 | 5,2  | 2,03 |
|   | -9,8                             | -11       | 5,5  | 1,84 | 5,5  | 1,9  | 5,5  | 1,96 | 5,5  | 1,99 | 5,5  | 2,02 | 5,5  | 2,07 |
|   | -9,5                             | -10       | 5,6  | 1,87 | 5,6  | 1,92 | 5,6  | 1,98 | 5,6  | 2,01 | 5,6  | 2,04 | 5,6  | 2,09 |
|   | -8,5                             | -9,1      | 5,8  | 1,89 | 5,7  | 1,95 | 5,7  | 2    | 5,7  | 2,03 | 5,7  | 2,06 | 5,7  | 2,11 |
|   | -7                               | -7,6      | 6    | 1,93 | 6    | 1,98 | 5,9  | 2,03 | 5,9  | 2,06 | 5,9  | 2,09 | 5,9  | 2,14 |
|   | -5                               | -5,6      | 6,3  | 1,98 | 6,3  | 2,02 | 6,3  | 2,08 | 6,2  | 2,1  | 6,2  | 2,12 | 6,2  | 2,18 |
|   | -3                               | -3,7      | 6,6  | 2,02 | 6,6  | 1,83 | 6,6  | 2,12 | 6,6  | 2,14 | 6,6  | 2,16 | 6,3  | 2,07 |
|   | 0                                | -0,7      | 7,1  | 2,09 | 7,1  | 2,13 | 7,1  | 2,17 | 7    | 2,14 | 6,7  | 2,05 | 6,3  | 1,88 |
|   | 3                                | 2,2       | 7,7  | 2,15 | 7,7  | 2,19 | 7,2  | 2,02 | 7    | 1,94 | 6,7  | 1,87 | 6,3  | 1,71 |
|   | 5                                | 4,1       | 8,1  | 2,19 | 7,7  | 2,05 | 7,2  | 1,9  | 7    | 1,83 | 6,7  | 1,76 | 6,3  | 1,62 |
|   | 7                                | 6         | 8,1  | 2,07 | 7,7  | 1,93 | 7,2  | 1,79 | 7    | 1,72 | 6,7  | 1,66 | 6,3  | 1,52 |
|   | 9                                | 7,9       | 8,1  | 1,95 | 7,7  | 1,82 | 7,2  | 1,69 | 7    | 1,6  | 6,7  | 1,56 | 6,3  | 1,44 |
|   | 11                               | 9,8       | 8,1  | 1,83 | 7,7  | 1,71 | 7,2  | 1,59 | 7    | 1,53 | 6,7  | 1,47 | 6,3  | 1,36 |
|   | 13                               | 11,8      | 8,1  | 1,72 | 7,7  | 1,61 | 7,2  | 1,5  | 7    | 1,44 | 6,7  | 1,39 | 6,3  | 1,28 |
| 15                                      | 13,7                             | 8,1       | 1,62 | 7,7  | 1,52 | 7,2  | 1,41 | 7    | 1,36 | 6,7  | 1,31 | 6,3  | 1,21 |      |
| 90%                                     | -13,7                            | -15       | 5    | 1,86 | 5    | 1,91 | 5    | 1,97 | 5    | 1,99 | 5    | 2,02 | 5    | 2,08 |
|   | -11,8                            | -13       | 5,2  | 1,9  | 5,2  | 1,95 | 5,2  | 2,01 | 5,2  | 2,03 | 5,2  | 2,06 | 5,2  | 2,11 |
|   | -9,8                             | -11       | 5,5  | 1,94 | 5,5  | 1,99 | 5,5  | 2,05 | 5,5  | 2,07 | 5,5  | 2,1  | 5,4  | 2,15 |
|   | -9,5                             | -10       | 5,6  | 1,97 | 5,6  | 2,02 | 5,6  | 2,07 | 5,6  | 2,09 | 5,6  | 2,12 | 5,6  | 2,17 |
|   | -8,5                             | -9,1      | 5,7  | 1,99 | 5,7  | 2,04 | 5,7  | 2,09 | 5,7  | 2,11 | 5,7  | 2,13 | 5,6  | 2,15 |
|   | -7                               | -7,6      | 5,9  | 2,02 | 5,9  | 2,07 | 5,9  | 2,12 | 5,9  | 2,14 | 5,9  | 2,16 | 5,6  | 2,06 |
|   | -5                               | -5,6      | 6,3  | 2,06 | 6,2  | 2,11 | 6,2  | 2,15 | 6,2  | 2,18 | 6    | 2,11 | 5,6  | 1,93 |
|   | -3                               | -3,7      | 6,5  | 2,1  | 6,5  | 2,15 | 6,5  | 2,15 | 6,3  | 2,07 | 6    | 1,99 | 5,6  | 1,82 |
|   | 0                                | -0,7      | 7,1  | 2,16 | 6,9  | 2,11 | 6,5  | 1,96 | 6,3  | 1,88 | 6    | 1,8  | 5,6  | 1,66 |
|   | 3                                | 2,2       | 7,3  | 2,06 | 6,9  | 1,92 | 6,5  | 1,78 | 6,3  | 1,71 | 6    | 1,65 | 5,6  | 1,52 |
|   | 5                                | 4,1       | 7,3  | 1,94 | 6,9  | 1,81 | 6,5  | 1,68 | 6,3  | 1,61 | 6    | 1,55 | 5,6  | 1,43 |
|   | 7                                | 6         | 7,3  | 1,82 | 6,9  | 1,7  | 6,5  | 1,58 | 6,3  | 1,52 | 6    | 1,46 | 5,6  | 1,35 |
|   | 9                                | 7,9       | 7,3  | 1,72 | 6,9  | 1,6  | 6,5  | 1,49 | 6,3  | 1,44 | 6    | 1,38 | 5,6  | 1,28 |
|   | 11                               | 9,8       | 7,3  | 1,62 | 6,9  | 1,51 | 6,5  | 1,41 | 6,3  | 1,36 | 6    | 1,31 | 5,6  | 1,21 |
|   | 13                               | 11,8      | 7,3  | 1,52 | 6,9  | 1,43 | 6,5  | 1,33 | 6,3  | 1,28 | 6    | 1,23 | 5,6  | 1,14 |
| 15                                      | 13,7                             | 7,3       | 1,44 | 6,9  | 1,35 | 6,5  | 1,26 | 6,3  | 1,21 | 6    | 1,17 | 5,6  | 1,08 |      |
| 80%                                     | -13,7                            | -15       | 5    | 1,96 | 5    | 2,01 | 5    | 2,06 | 5    | 2,09 | 5    | 2,11 | 5    | 2,16 |
|   | -11,8                            | -13       | 5,2  | 2    | 5,2  | 2,05 | 5,2  | 2,1  | 5,2  | 2,12 | 5,2  | 2,15 | 5    | 2,09 |
|   | -9,8                             | -11       | 5,5  | 2,04 | 5,5  | 2,09 | 5,4  | 2,14 | 5,4  | 2,16 | 5,4  | 2,15 | 5    | 1,97 |
|   | -9,5                             | -10       | 5,6  | 2,06 | 5,6  | 2,11 | 5,6  | 2,15 | 5,6  | 2,18 | 5,4  | 2,09 | 5    | 1,92 |
|   | -8,5                             | -9,1      | 5,7  | 2,08 | 5,3  | 2,13 | 5,7  | 2,17 | 5,6  | 2,12 | 5,4  | 2,03 | 5    | 1,86 |
|   | -7                               | -7,6      | 5,9  | 2,11 | 5,9  | 2,15 | 5,8  | 2,11 | 5,6  | 2,02 | 5,4  | 1,94 | 5    | 1,78 |
|   | -5                               | -5,6      | 6,2  | 2,15 | 6,1  | 2,14 | 5,8  | 1,98 | 5,6  | 1,9  | 5,4  | 1,83 | 5    | 1,68 |
|   | -3                               | -3,7      | 6,5  | 2,16 | 6,1  | 2,01 | 5,8  | 1,86 | 5,6  | 1,79 | 5,4  | 1,72 | 5    | 1,59 |
|   | 0                                | -0,7      | 6,5  | 1,96 | 6,1  | 1,83 | 5,8  | 1,7  | 5,6  | 1,63 | 5,4  | 1,57 | 5    | 1,45 |
|   | 3                                | 2,2       | 6,5  | 1,79 | 6,1  | 1,67 | 5,8  | 1,55 | 5,6  | 1,49 | 5,4  | 1,44 | 5    | 1,33 |
|   | 5                                | 4,1       | 6,5  | 1,68 | 6,1  | 1,57 | 5,8  | 1,46 | 5,6  | 1,41 | 5,4  | 1,36 | 5    | 1,25 |
|   | 7                                | 6         | 6,5  | 1,59 | 6,1  | 1,48 | 5,8  | 1,38 | 5,6  | 1,33 | 5,4  | 1,28 | 5    | 1,19 |
|   | 9                                | 7,9       | 6,5  | 1,5  | 6,1  | 1,4  | 5,8  | 1,3  | 5,6  | 1,26 | 5,4  | 1,21 | 5    | 1,12 |
|   | 11                               | 9,8       | 6,5  | 1,41 | 6,1  | 1,32 | 5,8  | 1,23 | 5,6  | 1,19 | 5,4  | 1,15 | 5    | 1,06 |
|   | 13                               | 11,8      | 6,5  | 1,33 | 6,1  | 1,25 | 5,8  | 1,17 | 5,6  | 1,13 | 5,4  | 1,09 | 5    | 1,01 |
| 15                                      | 13,7                             | 6,5       | 1,26 | 6,1  | 1,18 | 5,8  | 1,11 | 5,6  | 1,07 | 5,4  | 1,03 | 5    | 0,96 |      |

kWt = Heating capacity [kW]  
kWe = Compressor + Fan power input [kW]  
DB=Dry bulb  
WB=Wet bulb

# Performance in Heating

## MSAN-XMi 80M

| Indoor/<br>Outdoor<br>Capacity<br>Ratio | Indoor air temperature D.B. (°C) |           |      |      |      |      |      |      |      |      |      |      |      |      |
|---|----------------------------------|-----------|------|------|------|------|------|------|------|------|------|------|------|------|
|   | Outdoor air temperature (°C)     |           | 16   |      | 18   |      | 20   |      | 21   |      | 22   |      | 24   |      |
|   | D.B. (°C)                        | W.B. (°C) | kWt  | kWe  | kWt  | kWe  | kWt  | kWe  | kWt  | kWe  | kWt  | kWe  | kWt  | kWe  |
| 70%                                     | -13,7                            | -15       | 5    | 2,07 | 4,9  | 2,12 | 4,9  | 2,16 | 4,9  | 2,13 | 4,7  | 2,04 | 4,4  | 1,87 |
|   | -11,8                            | -13       | 5,2  | 2,11 | 5,2  | 2,15 | 5    | 2,1  | 4,9  | 2,02 | 4,7  | 1,94 | 4,4  | 1,78 |
|   | -9,8                             | -11       | 5,4  | 2,14 | 5,4  | 2,14 | 5    | 1,98 | 4,9  | 1,91 | 4,7  | 1,83 | 4,4  | 1,68 |
|   | -9,5                             | -10       | 5,6  | 2,16 | 5,4  | 2,08 | 5    | 1,92 | 4,9  | 1,85 | 4,7  | 1,78 | 4,4  | 1,63 |
|   | -8,5                             | -9,1      | 5,7  | 2,17 | 5,4  | 2,02 | 5    | 1,87 | 4,9  | 1,8  | 4,7  | 1,73 | 4,4  | 1,59 |
|   | -7                               | -7,6      | 5,7  | 2,08 | 5,4  | 1,93 | 5    | 1,79 | 4,9  | 1,72 | 4,7  | 1,66 | 4,4  | 1,52 |
|   | -5                               | -5,6      | 5,7  | 1,95 | 5,4  | 1,82 | 5    | 1,69 | 4,9  | 1,62 | 4,7  | 1,92 | 4,4  | 1,44 |
|   | -3                               | -3,7      | 5,7  | 1,84 | 5,4  | 1,71 | 5    | 1,59 | 4,9  | 1,53 | 4,7  | 1,47 | 4,4  | 1,36 |
|   | 0                                | -0,7      | 5,7  | 1,67 | 5,4  | 1,56 | 5    | 1,45 | 4,9  | 1,4  | 4,7  | 1,35 | 4,4  | 1,25 |
|   | 3                                | 2,2       | 5,7  | 1,53 | 5,4  | 1,43 | 5    | 1,33 | 4,9  | 1,28 | 4,7  | 1,24 | 4,4  | 1,14 |
|   | 5                                | 4,1       | 5,7  | 1,44 | 5,4  | 1,35 | 5    | 1,26 | 4,9  | 1,21 | 4,7  | 1,17 | 4,4  | 1,08 |
|   | 7                                | 6         | 5,7  | 1,36 | 5,4  | 1,28 | 5    | 1,19 | 4,9  | 1,15 | 4,7  | 1,11 | 4,4  | 1,03 |
|   | 9                                | 7,9       | 5,7  | 1,29 | 5,4  | 1,21 | 5    | 1,13 | 4,9  | 1,09 | 4,7  | 1,05 | 4,4  | 0,97 |
|   | 11                               | 9,8       | 5,7  | 1,22 | 5,4  | 1,14 | 5    | 1,07 | 4,9  | 1,03 | 4,7  | 1    | 4,4  | 0,93 |
|   | 13                               | 11,8      | 5,7  | 1,15 | 5,4  | 1,08 | 5    | 1,01 | 4,9  | 0,98 | 4,7  | 0,94 | 4,4  | 0,88 |
| 15                                      | 13,7                             | 5,7       | 1,09 | 5,4  | 1,03 | 5    | 0,96 | 4,9  | 0,93 | 4,7  | 0,9  | 4,4  | 0,84 |      |
| 60%                                     | -13,7                            | -15       | 4,9  | 2,13 | 4,6  | 1,98 | 4,3  | 1,84 | 4,2  | 1,77 | 4    | 1,7  | 3,8  | 1,56 |
|   | -11,8                            | -13       | 4,9  | 2,02 | 4,6  | 1,88 | 4,3  | 1,74 | 4,2  | 1,68 | 4    | 1,61 | 3,8  | 1,49 |
|   | -9,8                             | -11       | 4,9  | 1,9  | 4,6  | 1,77 | 4,3  | 1,65 | 4,2  | 1,59 | 4    | 1,52 | 3,8  | 1,41 |
|   | -9,5                             | -10       | 4,9  | 1,85 | 4,6  | 1,72 | 4,3  | 1,6  | 4,2  | 1,54 | 4    | 1,48 | 3,8  | 1,37 |
|   | -8,5                             | -9,1      | 4,9  | 1,8  | 4,6  | 1,68 | 4,3  | 1,56 | 4,2  | 1,5  | 4    | 1,45 | 3,8  | 1,33 |
|   | -7                               | -7,6      | 4,9  | 1,72 | 4,6  | 1,61 | 4,3  | 1,49 | 4,2  | 1,44 | 4    | 1,39 | 3,8  | 1,28 |
|   | -5                               | -5,6      | 4,9  | 1,62 | 4,6  | 1,52 | 4,3  | 1,41 | 4,2  | 1,36 | 4    | 1,31 | 3,8  | 1,21 |
|   | -3                               | -3,7      | 4,9  | 1,53 | 4,6  | 1,43 | 4,3  | 1,33 | 4,2  | 1,29 | 4    | 1,24 | 3,8  | 1,15 |
|   | 0                                | -0,7      | 4,9  | 1,4  | 4,6  | 1,31 | 4,3  | 1,22 | 4,2  | 1,18 | 4    | 1,14 | 3,8  | 1,05 |
|   | 3                                | 2,2       | 4,9  | 1,28 | 4,6  | 1,2  | 4,3  | 1,13 | 4,2  | 1,09 | 4    | 1,05 | 3,8  | 0,97 |
|   | 5                                | 4,1       | 4,9  | 1,21 | 4,6  | 1,14 | 4,3  | 1,06 | 4,2  | 1,03 | 4    | 0,99 | 3,8  | 0,92 |
|   | 7                                | 6         | 4,9  | 1,15 | 4,6  | 1,08 | 4,3  | 1,01 | 4,2  | 0,98 | 4    | 0,94 | 3,8  | 0,88 |
|   | 9                                | 7,9       | 4,9  | 1,09 | 4,6  | 1,02 | 4,3  | 0,96 | 4,2  | 0,93 | 4    | 0,89 | 3,8  | 0,83 |
|   | 11                               | 9,8       | 4,9  | 1,03 | 4,6  | 0,97 | 4,3  | 0,91 | 4,2  | 0,88 | 4    | 0,85 | 3,8  | 0,79 |
|   | 13                               | 11,8      | 4,9  | 0,98 | 4,6  | 0,92 | 4,3  | 0,86 | 4,2  | 0,84 | 4    | 0,81 | 3,8  | 0,76 |
| 15                                      | 13,7                             | 4,9       | 0,93 | 4,6  | 0,87 | 4,3  | 0,82 | 4,2  | 0,8  | 4    | 0,77 | 3,8  | 0,72 |      |
| 50%                                     | -13,7                            | -15       | 4,1  | 1,71 | 3,8  | 1,59 | 3,6  | 1,48 | 3,5  | 1,43 | 3,3  | 1,37 | 3,1  | 1,27 |
|   | -11,8                            | -13       | 4,1  | 1,62 | 3,8  | 1,51 | 3,6  | 1,41 | 3,5  | 1,36 | 3,3  | 1,31 | 3,1  | 1,21 |
|   | -9,8                             | -11       | 4,1  | 1,53 | 3,8  | 1,43 | 3,6  | 1,34 | 3,5  | 1,29 | 3,3  | 1,24 | 3,1  | 1,15 |
|   | -9,5                             | -10       | 4,1  | 1,49 | 3,8  | 1,39 | 3,6  | 1,3  | 3,5  | 1,26 | 3,3  | 1,21 | 3,1  | 1,12 |
|   | -8,5                             | -9,1      | 4,1  | 1,46 | 3,8  | 1,36 | 3,6  | 1,27 | 3,5  | 1,22 | 3,3  | 1,18 | 3,1  | 1,09 |
|   | -7                               | -7,6      | 4,1  | 1,39 | 3,8  | 1,31 | 3,6  | 1,22 | 3,5  | 1,18 | 3,3  | 1,13 | 3,1  | 1,05 |
|   | -5                               | -5,6      | 4,1  | 1,32 | 3,8  | 1,23 | 3,6  | 1,15 | 3,5  | 1,11 | 3,3  | 1,07 | 3,1  | 0,99 |
|   | -3                               | -3,7      | 4,1  | 1,25 | 3,8  | 1,17 | 3,6  | 1,09 | 3,5  | 1,06 | 3,3  | 1,02 | 3,1  | 0,95 |
|   | 0                                | -0,7      | 4,1  | 1,14 | 3,8  | 1,07 | 3,6  | 1,01 | 3,5  | 0,97 | 3,3  | 0,94 | 3,1  | 0,87 |
|   | 3                                | 2,2       | 4,1  | 1,05 | 3,8  | 0,99 | 3,6  | 0,93 | 3,5  | 0,9  | 3,3  | 0,87 | 3,1  | 0,81 |
|   | 5                                | 4,1       | 4,1  | 1    | 3,8  | 0,94 | 3,6  | 0,88 | 3,5  | 0,85 | 3,3  | 0,83 | 3,1  | 0,77 |
|   | 7                                | 6         | 4,1  | 0,95 | 3,8  | 0,89 | 3,6  | 0,84 | 3,5  | 0,81 | 3,3  | 0,79 | 3,1  | 0,73 |
|   | 9                                | 7,9       | 4,1  | 0,9  | 3,8  | 0,85 | 3,6  | 0,8  | 3,5  | 0,77 | 3,3  | 0,75 | 3,1  | 0,7  |
|   | 11                               | 9,8       | 4,1  | 0,86 | 3,8  | 0,81 | 3,6  | 0,76 | 3,5  | 0,74 | 3,3  | 0,71 | 3,1  | 0,67 |
|   | 13                               | 11,8      | 4,1  | 0,81 | 3,8  | 0,77 | 3,6  | 0,72 | 3,5  | 0,7  | 3,3  | 0,68 | 3,1  | 0,64 |
| 15                                      | 13,7                             | 4,1       | 0,77 | 3,8  | 0,73 | 3,6  | 0,69 | 3,5  | 0,67 | 3,3  | 0,65 | 3,1  | 0,61 |      |

kWt = Heating capacity [kW]  
kWe = Compressor + Fan power input [kW]  
DB=Dry bulb  
WB=Wet bulb

Notes: It is recommended to have system with Indoor/Outdoor Capacity Ratio less than 130%  
Avoid running the unit in heating mode when outdoor air temperature is below -20°C  
The above capacity tables show the average values in operating condition



# Performance in Heating

## MSAN-XMi 105M

| Indoor/<br>Outdoor<br>Capacity<br>Ratio | Indoor air temperature D.B. (°C) |           |      |      |      |      |      |      |      |      |      |      |      |      |
|---|----------------------------------|-----------|------|------|------|------|------|------|------|------|------|------|------|------|
|   | Outdoor air temperature (°C)     |           | 16   |      | 18   |      | 20   |      | 21   |      | 22   |      | 24   |      |
|   | D.B. (°C)                        | W.B. (°C) | kWt  | kWe  | kWt  | kWe  | kWt  | kWe  | kWt  | kWe  | kWt  | kWe  | kWt  | kWe  |
| 130%                                    | -13,7                            | -15       | 6,4  | 1,8  | 6,4  | 1,9  | 6,3  | 2    | 6,3  | 2,05 | 6,3  | 2,1  | 6,3  | 2,21 |
|   | -11,8                            | -13       | 6,7  | 1,87 | 6,7  | 1,98 | 6,6  | 2,07 | 6,6  | 2,12 | 6,6  | 2,17 | 6,6  | 2,27 |
|   | -9,8                             | -11       | 7    | 1,96 | 6,9  | 2,05 | 6,9  | 2,15 | 6,9  | 2,19 | 6,9  | 2,24 | 6,9  | 2,33 |
|   | -9,5                             | -10       | 7,1  | 2    | 7,1  | 2,09 | 7,1  | 2,18 | 7,1  | 2,23 | 7,1  | 2,27 | 7,1  | 2,36 |
|   | -8,5                             | -9,1      | 7,3  | 2,03 | 7,3  | 2,12 | 7,3  | 2,21 | 7,2  | 2,26 | 7,2  | 2,3  | 7,2  | 2,39 |
|   | -7                               | -7,6      | 7,5  | 2,09 | 7,5  | 2,18 | 7,5  | 2,27 | 7,5  | 2,31 | 7,5  | 2,35 | 7,5  | 2,44 |
|   | -5                               | -5,6      | 7,9  | 2,17 | 7,9  | 2,26 | 7,9  | 2,34 | 7,9  | 2,38 | 7,9  | 2,42 | 7,9  | 2,5  |
|   | -3                               | -3,7      | 8,3  | 2,24 | 8,3  | 2,32 | 8,3  | 2,4  | 8,3  | 2,44 | 8,3  | 2,48 | 8,2  | 2,56 |
|   | 0                                | -0,7      | 9    | 2,35 | 9    | 2,43 | 8,9  | 2,5  | 8,9  | 2,52 | 8,9  | 2,57 | 8,9  | 2,64 |
|   | 3                                | 2,2       | 9,7  | 2,45 | 9,7  | 2,52 | 9,6  | 2,59 | 9,6  | 2,62 | 9,6  | 2,65 | 9,6  | 2,72 |
|   | 5                                | 4,1       | 10,2 | 2,51 | 10,1 | 2,58 | 10,1 | 2,64 | 10,1 | 2,67 | 10,1 | 2,7  | 10,1 | 2,77 |
|   | 7                                | 6         | 10,7 | 2,57 | 10,7 | 2,63 | 10,7 | 2,69 | 10,6 | 2,72 | 10,6 | 2,75 | 10,2 | 2,64 |
|   | 9                                | 7,9       | 11,2 | 2,62 | 11,2 | 2,68 | 11,2 | 2,74 | 11,2 | 2,77 | 10,9 | 2,71 | 10,2 | 2,48 |
|   | 11                               | 9,8       | 11,8 | 2,68 | 11,8 | 2,73 | 11,7 | 2,77 | 11,3 | 2,66 | 10,9 | 2,55 | 10,2 | 2,34 |
|   | 13                               | 11,8      | 12,4 | 2,73 | 12,4 | 2,78 | 11,7 | 2,59 | 11,3 | 2,49 | 10,9 | 2,39 | 10,2 | 2,19 |
| 15                                      | 13,7                             | 13        | 2,77 | 12,5 | 2,63 | 11,7 | 2,44 | 11,3 | 2,35 | 10,9 | 2,25 | 10,2 | 2,07 |      |
| 120%                                    | -13,7                            | -15       | 6,4  | 1,93 | 6,3  | 2,03 | 6,3  | 2,12 | 6,3  | 2,17 | 6,3  | 2,22 | 6,3  | 2,31 |
|   | -11,8                            | -13       | 6,6  | 2,01 | 6,6  | 2,1  | 6,6  | 2,19 | 6,6  | 2,24 | 6,6  | 2,28 | 6,6  | 2,37 |
|   | -9,8                             | -11       | 6,9  | 2,08 | 6,9  | 2,17 | 6,9  | 2,26 | 6,9  | 2,3  | 6,9  | 2,34 | 6,9  | 2,43 |
|   | -9,5                             | -10       | 7,1  | 2,12 | 7,1  | 2,21 | 7,1  | 2,29 | 7,1  | 2,34 | 7,1  | 2,38 | 7    | 2,46 |
|   | -8,5                             | -9,1      | 7,3  | 2,15 | 7,2  | 2,24 | 7,2  | 2,32 | 7,2  | 2,36 | 7,2  | 2,41 | 7,2  | 2,49 |
|   | -7                               | -7,6      | 7,5  | 2,21 | 7,5  | 2,29 | 7,5  | 2,37 | 7,5  | 2,41 | 7,5  | 2,45 | 7,5  | 2,53 |
|   | -5                               | -5,6      | 7,9  | 2,28 | 7,9  | 2,36 | 7,9  | 2,44 | 7,9  | 2,47 | 7,9  | 2,51 | 7,8  | 2,59 |
|   | -3                               | -3,7      | 8,3  | 2,35 | 8,3  | 2,42 | 8,3  | 2,49 | 8,3  | 2,53 | 8,2  | 2,57 | 8,2  | 2,64 |
|   | 0                                | -0,7      | 8,9  | 2,45 | 8,9  | 2,52 | 8,9  | 2,58 | 8,9  | 2,62 | 8,9  | 2,65 | 8,9  | 2,72 |
|   | 3                                | 2,2       | 9,7  | 2,54 | 9,6  | 2,6  | 9,6  | 2,67 | 9,6  | 2,7  | 9,6  | 2,73 | 9,4  | 2,71 |
|   | 5                                | 4,1       | 10,1 | 2,6  | 10,1 | 2,66 | 10,1 | 2,72 | 10,1 | 2,74 | 10,1 | 2,77 | 9,4  | 2,55 |
|   | 7                                | 6         | 10,7 | 2,65 | 10,7 | 2,71 | 10,6 | 2,76 | 10,5 | 2,72 | 10,1 | 2,61 | 9,4  | 2,4  |
|   | 9                                | 7,9       | 11,2 | 2,7  | 11,2 | 2,76 | 10,8 | 2,67 | 10,5 | 2,56 | 10,1 | 2,46 | 9,4  | 2,26 |
|   | 11                               | 9,8       | 11,8 | 2,75 | 11,5 | 2,7  | 10,8 | 2,51 | 10,5 | 2,41 | 10,1 | 2,31 | 9,4  | 2,13 |
|   | 13                               | 11,8      | 12,2 | 2,72 | 11,5 | 2,54 | 10,8 | 2,35 | 10,5 | 2,26 | 10,1 | 2,17 | 9,4  | 2    |
| 15                                      | 13,7                             | 12,2      | 2,56 | 11,5 | 2,39 | 10,8 | 2,22 | 10,5 | 2,13 | 10,1 | 2,05 | 9,4  | 1,89 |      |
| 110%                                    | -13,7                            | -15       | 6,3  | 2,07 | 6,3  | 2,16 | 6,3  | 2,25 | 6,3  | 2,29 | 6,3  | 2,33 | 6,3  | 2,42 |
|   | -11,8                            | -13       | 6,6  | 2,14 | 6,6  | 2,23 | 6,6  | 2,31 | 6,6  | 2,35 | 6,5  | 2,39 | 6,5  | 2,48 |
|   | -9,8                             | -11       | 6,9  | 2,21 | 6,9  | 2,29 | 6,9  | 2,37 | 6,9  | 2,41 | 6,9  | 2,45 | 6,9  | 2,53 |
|   | -9,5                             | -10       | 7,1  | 2,25 | 7,1  | 2,32 | 7    | 2,4  | 7    | 2,44 | 7    | 2,48 | 7    | 2,56 |
|   | -8,5                             | -9,1      | 7,2  | 2,28 | 7,2  | 2,35 | 7,2  | 2,43 | 7,2  | 2,47 | 7,2  | 2,51 | 7,2  | 2,28 |
|   | -7                               | -7,6      | 7,5  | 2,33 | 7,5  | 2,4  | 7,5  | 2,47 | 7,5  | 2,51 | 7,5  | 2,55 | 7,4  | 2,62 |
|   | -5                               | -5,6      | 7,9  | 2,39 | 7,9  | 2,46 | 7,8  | 2,53 | 7,8  | 2,57 | 7,8  | 2,6  | 7,8  | 2,67 |
|   | -3                               | -3,7      | 8,3  | 2,46 | 8,3  | 2,52 | 8,2  | 2,59 | 8,2  | 2,62 | 8,2  | 2,65 | 8,2  | 2,72 |
|   | 0                                | -0,7      | 8,9  | 2,55 | 8,9  | 2,61 | 8,9  | 2,67 | 8,9  | 2,7  | 8,9  | 2,73 | 8,6  | 2,68 |
|   | 3                                | 2,2       | 9,6  | 2,63 | 9,6  | 2,69 | 9,6  | 2,74 | 9,6  | 2,77 | 9,3  | 2,66 | 8,6  | 2,44 |
|   | 5                                | 4,1       | 10,1 | 2,68 | 10,1 | 2,74 | 9,9  | 2,71 | 9,6  | 2,6  | 9,3  | 2,5  | 8,6  | 2,29 |
|   | 7                                | 6         | 10,6 | 2,73 | 10,5 | 2,75 | 9,9  | 2,55 | 9,6  | 2,45 | 9,3  | 2,35 | 8,6  | 2,16 |
|   | 9                                | 7,9       | 11,2 | 2,78 | 10,5 | 2,59 | 9,9  | 2,4  | 9,6  | 2,3  | 9,3  | 2,21 | 8,6  | 2,03 |
|   | 11                               | 9,8       | 11,2 | 2,61 | 10,5 | 2,43 | 9,9  | 2,26 | 9,6  | 2,17 | 9,3  | 2,08 | 8,6  | 1,92 |
|   | 13                               | 11,8      | 11,2 | 2,45 | 10,5 | 2,28 | 9,9  | 2,12 | 9,6  | 2,04 | 9,3  | 1,96 | 8,6  | 1,81 |
| 15                                      | 13,7                             | 11,2      | 2,18 | 10,5 | 2,15 | 9,9  | 2    | 9,6  | 1,93 | 9,3  | 1,85 | 8,6  | 1,71 |      |

kWt = Heating capacity [kW]  
 kWe = Compressor + Fan power input [kW]  
 DB=Dry bulb  
 WB=Wet bulb

# Performance in Heating

## MSAN-XMi 105M

| Indoor/<br>Outdoor<br>Capacity<br>Ratio | Indoor air temperature D.B. (°C) |           |      |      |      |      |      |      |      |      |      |      |      |      |
|---|----------------------------------|-----------|------|------|------|------|------|------|------|------|------|------|------|------|
|   | Outdoor air temperature (°C)     |           | 16   |      | 18   |      | 20   |      | 21   |      | 22   |      | 24   |      |
|   | D.B. (°C)                        | W.B. (°C) | kWt  | kWe  | kWt  | kWe  | kWt  | kWe  | kWt  | kWe  | kWt  | kWe  | kWt  | kWe  |
| 100%                                    | -13,7                            | -15       | 6,3  | 2,21 | 6,3  | 2,29 | 6,3  | 2,37 | 6,3  | 2,41 | 6,3  | 2,45 | 6,2  | 2,53 |
|   | -11,8                            | -13       | 6,6  | 2,28 | 6,6  | 2,35 | 6,5  | 2,43 | 6,5  | 2,46 | 6,5  | 2,5  | 6,5  | 2,58 |
|   | -9,8                             | -11       | 6,9  | 2,34 | 6,9  | 2,41 | 6,9  | 2,48 | 6,9  | 2,52 | 6,8  | 2,56 | 6,8  | 2,63 |
|   | -9,5                             | -10       | 7,1  | 2,37 | 7    | 2,44 | 7    | 2,51 | 7    | 2,55 | 7    | 2,58 | 7    | 2,65 |
|   | -8,5                             | -9,1      | 7,2  | 2,4  | 7,2  | 2,47 | 7,2  | 2,54 | 7,2  | 2,57 | 7,1  | 2,61 | 7,1  | 2,67 |
|   | -7                               | -7,6      | 7,5  | 2,44 | 7,5  | 2,51 | 7,4  | 2,58 | 7,4  | 2,61 | 7,4  | 2,64 | 7,4  | 2,71 |
|   | -5                               | -5,6      | 7,9  | 2,51 | 7,8  | 2,57 | 7,8  | 2,63 | 7,8  | 2,66 | 7,8  | 2,69 | 7,8  | 2,76 |
|   | -3                               | -3,7      | 8,2  | 2,56 | 8,2  | 2,33 | 8,2  | 2,68 | 8,2  | 2,71 | 8,2  | 2,74 | 7,9  | 2,63 |
|   | 0                                | -0,7      | 8,9  | 2,64 | 8,9  | 2,7  | 8,9  | 2,76 | 8,7  | 2,71 | 8,4  | 2,6  | 7,9  | 2,38 |
|   | 3                                | 2,2       | 9,6  | 2,72 | 9,6  | 2,77 | 9    | 2,56 | 8,7  | 2,46 | 8,4  | 2,37 | 7,9  | 2,17 |
|   | 5                                | 4,1       | 10,1 | 2,77 | 9,6  | 2,6  | 9    | 2,41 | 8,7  | 2,32 | 8,4  | 2,23 | 7,9  | 2,05 |
|   | 7                                | 6         | 10,1 | 2,63 | 9,6  | 2,45 | 9    | 2,27 | 8,7  | 2,18 | 8,4  | 2,1  | 7,9  | 1,93 |
|   | 9                                | 7,9       | 10,1 | 2,47 | 9,6  | 2,3  | 9    | 2,14 | 8,7  | 2,03 | 8,4  | 1,98 | 7,9  | 1,82 |
|   | 11                               | 9,8       | 10,1 | 2,33 | 9,6  | 2,17 | 9    | 2,02 | 8,7  | 1,94 | 8,4  | 1,87 | 7,9  | 1,72 |
|   | 13                               | 11,8      | 10,1 | 2,18 | 9,6  | 2,04 | 9    | 1,9  | 8,7  | 1,83 | 8,4  | 1,76 | 7,9  | 1,62 |
| 15                                      | 13,7                             | 10,1      | 2,06 | 9,6  | 1,93 | 9    | 1,79 | 8,7  | 1,73 | 8,4  | 1,66 | 7,9  | 1,54 |      |
| 90%                                     | -13,7                            | -15       | 6,3  | 2,35 | 6,2  | 2,42 | 6,2  | 2,49 | 6,2  | 2,53 | 6,2  | 2,56 | 6,2  | 2,64 |
|   | -11,8                            | -13       | 6,5  | 2,41 | 6,5  | 2,48 | 6,5  | 2,54 | 6,5  | 2,58 | 6,5  | 2,61 | 6,5  | 2,68 |
|   | -9,8                             | -11       | 6,8  | 2,46 | 6,8  | 2,53 | 6,8  | 2,59 | 6,8  | 2,63 | 6,8  | 2,66 | 6,8  | 2,73 |
|   | -9,5                             | -10       | 7    | 2,49 | 7    | 2,56 | 7    | 2,62 | 7    | 2,65 | 7    | 2,69 | 7    | 2,75 |
|   | -8,5                             | -9,1      | 7,2  | 2,52 | 7,2  | 2,58 | 7,1  | 2,64 | 7,1  | 2,67 | 7,1  | 2,71 | 7    | 2,73 |
|   | -7                               | -7,6      | 7,4  | 2,56 | 7,4  | 2,62 | 7,4  | 2,68 | 7,4  | 2,71 | 7,4  | 2,74 | 7    | 2,61 |
|   | -5                               | -5,6      | 7,8  | 2,62 | 7,8  | 2,67 | 7,8  | 2,73 | 7,8  | 2,76 | 7,6  | 2,67 | 7    | 2,45 |
|   | -3                               | -3,7      | 8,2  | 2,67 | 8,2  | 2,72 | 8,1  | 2,73 | 7,8  | 2,62 | 7,6  | 2,52 | 7    | 2,31 |
|   | 0                                | -0,7      | 8,9  | 2,74 | 8,6  | 2,68 | 8,1  | 2,48 | 7,8  | 2,38 | 7,6  | 2,29 | 7    | 2,1  |
|   | 3                                | 2,2       | 9,1  | 2,61 | 8,6  | 2,44 | 8,1  | 2,26 | 7,8  | 2,17 | 7,6  | 2,09 | 7    | 1,92 |
|   | 5                                | 4,1       | 9,1  | 2,46 | 8,6  | 2,29 | 8,1  | 2,13 | 7,8  | 2,05 | 7,6  | 1,97 | 7    | 1,81 |
|   | 7                                | 6         | 9,1  | 2,31 | 8,6  | 2,16 | 8,1  | 2    | 7,8  | 1,93 | 7,6  | 1,86 | 7    | 1,71 |
|   | 9                                | 7,9       | 9,1  | 2,18 | 8,6  | 2,03 | 8,1  | 1,89 | 7,8  | 1,82 | 7,6  | 1,75 | 7    | 1,62 |
|   | 11                               | 9,8       | 9,1  | 2,05 | 8,6  | 1,92 | 8,1  | 1,79 | 7,8  | 1,72 | 7,6  | 1,66 | 7    | 1,53 |
|   | 13                               | 11,8      | 9,1  | 1,93 | 8,6  | 1,81 | 8,1  | 1,68 | 7,8  | 1,62 | 7,6  | 1,57 | 7    | 1,45 |
| 15                                      | 13,7                             | 9,1       | 1,82 | 8,6  | 1,71 | 8,1  | 1,59 | 7,8  | 1,54 | 7,6  | 1,48 | 7    | 1,37 |      |
| 80%                                     | -13,7                            | -15       | 6,3  | 2,49 | 6,2  | 2,55 | 6,2  | 2,62 | 6,2  | 2,65 | 6,2  | 2,68 | 6,2  | 2,74 |
|   | -11,8                            | -13       | 6,5  | 2,54 | 6,5  | 2,6  | 6,5  | 2,66 | 6,5  | 2,69 | 6,5  | 2,72 | 6,3  | 2,65 |
|   | -9,8                             | -11       | 6,8  | 2,59 | 6,8  | 2,65 | 6,8  | 2,71 | 6,8  | 2,74 | 6,7  | 2,73 | 6,3  | 2,5  |
|   | -9,5                             | -10       | 7    | 2,62 | 7    | 2,67 | 7    | 2,73 | 7    | 2,76 | 6,7  | 2,65 | 6,3  | 2,43 |
|   | -8,5                             | -9,1      | 7,1  | 2,64 | 6,6  | 2,7  | 7,1  | 2,75 | 7    | 2,69 | 6,7  | 2,58 | 6,3  | 2,36 |
|   | -7                               | -7,6      | 7,4  | 2,68 | 7,4  | 2,73 | 7,2  | 2,67 | 7    | 2,57 | 6,7  | 2,46 | 6,3  | 2,26 |
|   | -5                               | -5,6      | 7,8  | 2,73 | 7,7  | 2,71 | 7,2  | 2,51 | 7    | 2,41 | 6,7  | 2,32 | 6,3  | 2,13 |
|   | -3                               | -3,7      | 8,1  | 2,74 | 7,7  | 2,55 | 7,2  | 2,36 | 7    | 2,28 | 6,7  | 2,18 | 6,3  | 2,01 |
|   | 0                                | -0,7      | 8,1  | 2,49 | 7,7  | 2,32 | 7,2  | 2,15 | 7    | 2,07 | 6,7  | 1,99 | 6,3  | 1,83 |
|   | 3                                | 2,2       | 8,1  | 2,27 | 7,7  | 2,11 | 7,2  | 1,97 | 7    | 1,89 | 6,7  | 1,82 | 6,3  | 1,68 |
|   | 5                                | 4,1       | 8,1  | 2,13 | 7,7  | 1,99 | 7,2  | 1,85 | 7    | 1,79 | 6,7  | 1,72 | 6,3  | 1,59 |
|   | 7                                | 6         | 8,1  | 2,01 | 7,7  | 1,88 | 7,2  | 1,75 | 7    | 1,69 | 6,7  | 1,63 | 6,3  | 1,5  |
|   | 9                                | 7,9       | 8,1  | 1,9  | 7,7  | 1,77 | 7,2  | 1,65 | 7    | 1,59 | 6,7  | 1,54 | 6,3  | 1,42 |
|   | 11                               | 9,8       | 8,1  | 1,79 | 7,7  | 1,68 | 7,2  | 1,57 | 7    | 1,51 | 6,7  | 1,46 | 6,3  | 1,35 |
|   | 13                               | 11,8      | 8,1  | 1,69 | 7,7  | 1,58 | 7,2  | 1,48 | 7    | 1,43 | 6,7  | 1,38 | 6,3  | 1,28 |
| 15                                      | 13,7                             | 8,1       | 1,6  | 7,7  | 1,5  | 7,2  | 1,4  | 7    | 1,35 | 6,7  | 1,31 | 6,3  | 1,21 |      |

kWt = Heating capacity [kW]  
kWe = Compressor + Fan power input [kW]  
DB=Dry bulb  
WB=Wet bulb

# Performance in Heating

## MSAN-XMi 105M

| Indoor/<br>Outdoor<br>Capacity<br>Ratio | Indoor air temperature D.B. (°C) |           |      |      |      |      |      |      |      |      |      |      |      |      |
|---|----------------------------------|-----------|------|------|------|------|------|------|------|------|------|------|------|------|
|   | Outdoor air temperature (°C)     |           | 16   |      | 18   |      | 20   |      | 21   |      | 22   |      | 24   |      |
|   | D.B. (°C)                        | W.B. (°C) | kWt  | kWe  | kWt  | kWe  | kWt  | kWe  | kWt  | kWe  | kWt  | kWe  | kWt  | kWe  |
| 70%                                     | -13,7                            | -15       | 6,2  | 2,63 | 6,2  | 2,69 | 6,2  | 2,74 | 6,1  | 2,7  | 5,9  | 2,59 | 5,5  | 2,38 |
|   | -11,8                            | -13       | 6,5  | 2,67 | 6,5  | 2,73 | 6,3  | 2,66 | 6,1  | 2,56 | 5,9  | 2,46 | 5,5  | 2,25 |
|   | -9,8                             | -11       | 6,8  | 2,72 | 6,7  | 2,71 | 6,3  | 2,51 | 6,1  | 2,42 | 5,9  | 2,32 | 5,5  | 2,13 |
|   | -9,5                             | -10       | 7    | 2,74 | 6,7  | 2,64 | 6,3  | 2,44 | 6,1  | 2,35 | 5,9  | 2,26 | 5,5  | 2,07 |
|   | -8,5                             | -9,1      | 7,1  | 2,76 | 6,7  | 2,56 | 6,3  | 2,38 | 6,1  | 2,28 | 5,9  | 2,2  | 5,5  | 2,02 |
|   | -7                               | -7,6      | 7,1  | 2,63 | 6,7  | 2,45 | 6,3  | 2,27 | 6,1  | 2,19 | 5,9  | 2,1  | 5,5  | 1,93 |
|   | -5                               | -5,6      | 7,1  | 2,47 | 6,7  | 2,31 | 6,3  | 2,14 | 6,1  | 2,06 | 5,9  | 2,43 | 5,5  | 1,82 |
|   | -3                               | -3,7      | 7,1  | 2,33 | 6,7  | 2,17 | 6,3  | 2,02 | 6,1  | 1,94 | 5,9  | 1,87 | 5,5  | 1,72 |
|   | 0                                | -0,7      | 7,1  | 2,12 | 6,7  | 1,98 | 6,3  | 1,84 | 6,1  | 1,77 | 5,9  | 1,71 | 5,5  | 1,58 |
|   | 3                                | 2,2       | 7,1  | 1,94 | 6,7  | 1,81 | 6,3  | 1,69 | 6,1  | 1,63 | 5,9  | 1,57 | 5,5  | 1,45 |
|   | 5                                | 4,1       | 7,1  | 1,83 | 6,7  | 1,71 | 6,3  | 1,6  | 6,1  | 1,54 | 5,9  | 1,48 | 5,5  | 1,37 |
|   | 7                                | 6         | 7,1  | 1,73 | 6,7  | 1,62 | 6,3  | 1,51 | 6,1  | 1,46 | 5,9  | 1,41 | 5,5  | 1,3  |
|   | 9                                | 7,9       | 7,1  | 1,63 | 6,7  | 1,53 | 6,3  | 1,43 | 6,1  | 1,38 | 5,9  | 1,33 | 5,5  | 1,24 |
|   | 11                               | 9,8       | 7,1  | 1,54 | 6,7  | 1,45 | 6,3  | 1,36 | 6,1  | 1,31 | 5,9  | 1,26 | 5,5  | 1,17 |
|   | 13                               | 11,8      | 7,1  | 1,46 | 6,7  | 1,37 | 6,3  | 1,28 | 6,1  | 1,24 | 5,9  | 1,2  | 5,5  | 1,11 |
| 15                                      | 13,7                             | 7,1       | 1,38 | 6,7  | 1,3  | 6,3  | 1,22 | 6,1  | 1,18 | 5,9  | 1,14 | 5,5  | 1,06 |      |
| 60%                                     | -13,7                            | -15       | 6,1  | 2,7  | 5,7  | 2,51 | 5,4  | 2,33 | 5,2  | 2,24 | 5,1  | 2,15 | 4,7  | 1,98 |
|   | -11,8                            | -13       | 6,1  | 2,56 | 5,7  | 2,38 | 5,4  | 2,21 | 5,2  | 2,13 | 5,1  | 2,04 | 4,7  | 1,89 |
|   | -9,8                             | -11       | 6,1  | 2,41 | 5,7  | 2,25 | 5,4  | 2,09 | 5,2  | 2,01 | 5,1  | 1,93 | 4,7  | 1,78 |
|   | -9,5                             | -10       | 6,1  | 2,35 | 5,7  | 2,19 | 5,4  | 2,03 | 5,2  | 1,96 | 5,1  | 1,88 | 4,7  | 1,73 |
|   | -8,5                             | -9,1      | 6,1  | 2,28 | 5,7  | 2,13 | 5,4  | 1,98 | 5,2  | 1,91 | 5,1  | 1,83 | 4,7  | 1,69 |
|   | -7                               | -7,6      | 6,1  | 2,18 | 5,7  | 2,04 | 5,4  | 1,9  | 5,2  | 1,83 | 5,1  | 1,76 | 4,7  | 1,62 |
|   | -5                               | -5,6      | 6,1  | 2,06 | 5,7  | 1,92 | 5,4  | 1,79 | 5,2  | 1,72 | 5,1  | 1,66 | 4,7  | 1,54 |
|   | -3                               | -3,7      | 6,1  | 1,94 | 5,7  | 1,82 | 5,4  | 1,69 | 5,2  | 1,63 | 5,1  | 1,57 | 4,7  | 1,45 |
|   | 0                                | -0,7      | 6,1  | 1,77 | 5,7  | 1,66 | 5,4  | 1,55 | 5,2  | 1,5  | 5,1  | 1,44 | 4,7  | 1,34 |
|   | 3                                | 2,2       | 6,1  | 1,63 | 5,7  | 1,53 | 5,4  | 1,43 | 5,2  | 1,38 | 5,1  | 1,33 | 4,7  | 1,23 |
|   | 5                                | 4,1       | 6,1  | 1,54 | 5,7  | 1,44 | 5,4  | 1,35 | 5,2  | 1,31 | 5,1  | 1,26 | 4,7  | 1,17 |
|   | 7                                | 6         | 6,1  | 1,46 | 5,7  | 1,37 | 5,4  | 1,28 | 5,2  | 1,24 | 5,1  | 1,2  | 4,7  | 1,11 |
|   | 9                                | 7,9       | 6,1  | 1,38 | 5,7  | 1,3  | 5,4  | 1,21 | 5,2  | 1,18 | 5,1  | 1,13 | 4,7  | 1,06 |
|   | 11                               | 9,8       | 6,1  | 1,31 | 5,7  | 1,23 | 5,4  | 1,16 | 5,2  | 1,12 | 5,1  | 1,08 | 4,7  | 1,01 |
|   | 13                               | 11,8      | 6,1  | 1,24 | 5,7  | 1,17 | 5,4  | 1,1  | 5,2  | 1,06 | 5,1  | 1,03 | 4,7  | 0,96 |
| 15                                      | 13,7                             | 6,1       | 1,18 | 5,7  | 1,11 | 5,4  | 1,04 | 5,2  | 1,01 | 5,1  | 0,98 | 4,7  | 0,91 |      |
| 50%                                     | -13,7                            | -15       | 5,1  | 2,16 | 4,8  | 2,02 | 4,5  | 1,88 | 4,3  | 1,81 | 4,2  | 1,74 | 3,9  | 1,61 |
|   | -11,8                            | -13       | 5,1  | 2,05 | 4,8  | 1,92 | 4,5  | 1,79 | 4,3  | 1,72 | 4,2  | 1,66 | 3,9  | 1,53 |
|   | -9,8                             | -11       | 5,1  | 1,95 | 4,8  | 1,82 | 4,5  | 1,7  | 4,3  | 1,63 | 4,2  | 1,57 | 3,9  | 1,46 |
|   | -9,5                             | -10       | 5,1  | 1,89 | 4,8  | 1,77 | 4,5  | 1,65 | 4,3  | 1,59 | 4,2  | 1,53 | 3,9  | 1,42 |
|   | -8,5                             | -9,1      | 5,1  | 1,85 | 4,8  | 1,73 | 4,5  | 1,61 | 4,3  | 1,55 | 4,2  | 1,5  | 3,9  | 1,39 |
|   | -7                               | -7,6      | 5,1  | 1,77 | 4,8  | 1,66 | 4,5  | 1,54 | 4,3  | 1,49 | 4,2  | 1,44 | 3,9  | 1,33 |
|   | -5                               | -5,6      | 5,1  | 1,67 | 4,8  | 1,57 | 4,5  | 1,46 | 4,3  | 1,41 | 4,2  | 1,36 | 3,9  | 1,26 |
|   | -3                               | -3,7      | 5,1  | 1,58 | 4,8  | 1,48 | 4,5  | 1,39 | 4,3  | 1,34 | 4,2  | 1,29 | 3,9  | 1,2  |
|   | 0                                | -0,7      | 5,1  | 1,45 | 4,8  | 1,36 | 4,5  | 1,28 | 4,3  | 1,23 | 4,2  | 1,19 | 3,9  | 1,11 |
|   | 3                                | 2,2       | 5,1  | 1,34 | 4,8  | 1,26 | 4,5  | 1,18 | 4,3  | 1,14 | 4,2  | 1,1  | 3,9  | 1,03 |
|   | 5                                | 4,1       | 5,1  | 1,27 | 4,8  | 1,19 | 4,5  | 1,12 | 4,3  | 1,08 | 4,2  | 1,05 | 3,9  | 0,98 |
|   | 7                                | 6         | 5,1  | 1,2  | 4,8  | 1,13 | 4,5  | 1,06 | 4,3  | 1,03 | 4,2  | 1    | 3,9  | 0,93 |
|   | 9                                | 7,9       | 5,1  | 1,14 | 4,8  | 1,08 | 4,5  | 1,01 | 4,3  | 0,98 | 4,2  | 0,95 | 3,9  | 0,89 |
|   | 11                               | 9,8       | 5,1  | 1,08 | 4,8  | 1,02 | 4,5  | 0,96 | 4,3  | 0,93 | 4,2  | 0,9  | 3,9  | 0,85 |
|   | 13                               | 11,8      | 5,1  | 1,03 | 4,8  | 0,97 | 4,5  | 0,92 | 4,3  | 0,89 | 4,2  | 0,86 | 3,9  | 0,81 |
| 15                                      | 13,7                             | 5,1       | 0,98 | 4,8  | 0,93 | 4,5  | 0,88 | 4,3  | 0,85 | 4,2  | 0,82 | 3,9  | 0,77 |      |

kWt = Heating capacity [kW]  
 kWe = Compressor + Fan power input [kW]  
 DB=Dry bulb  
 WB=Wet bulb

Notes: It is recommended to have system with Indoor/Outdoor Capacity Ratio less than 130%  
 Avoid running the unit in heating mode when outdoor air temperature is below -20°C  
 The above capacity tables show the average values in operating condition

# Performance in Heating

## MSAN-XMi 120M/120T

| Indoor/<br>Outdoor<br>Capacity<br>Ratio | Indoor air temperature D.B. (°C) |           |       |       |       |       |       |       |       |       |       |       |       |      |
|---|----------------------------------|-----------|-------|-------|-------|-------|-------|-------|-------|-------|-------|-------|-------|------|
|   | Outdoor air temperature (°C)     |           | 16    |       | 18    |       | 20    |       | 21    |       | 22    |       | 24    |      |
|   | D.B. (°C)                        | W.B. (°C) | kWt   | kWe   | kWt   | kWe   | kWt   | kWe   | kWt   | kWe   | kWt   | kWe   | kWt   | kWe  |
| 130%                                    | -13,7                            | -15       | 9,39  | 2,74  | 9,35  | 2,9   | 9,3   | 3,06  | 9,3   | 3,14  | 9,26  | 3,22  | 9,26  | 3,38 |
|   | -11,8                            | -13       | 9,76  | 2,87  | 9,76  | 3,02  | 9,72  | 3,17  | 9,68  | 3,24  | 9,68  | 3,32  | 9,64  | 3,47 |
|   | -9,8                             | -11       | 10,23 | 2,99  | 10,18 | 3,14  | 10,14 | 3,28  | 10,14 | 3,35  | 10,14 | 3,42  | 10,1  | 3,57 |
|   | -9,5                             | -10       | 10,48 | 3,06  | 10,43 | 3,2   | 10,39 | 3,33  | 10,39 | 3,41  | 10,35 | 3,47  | 10,35 | 3,61 |
|   | -8,5                             | -9,1      | 10,68 | 3,11  | 10,64 | 3,24  | 10,64 | 3,38  | 10,6  | 3,45  | 10,6  | 3,52  | 10,56 | 3,66 |
|   | -7                               | -7,6      | 11,06 | 3,2   | 11,06 | 3,33  | 11,02 | 3,47  | 11,02 | 3,53  | 10,98 | 3,6   | 10,94 | 3,73 |
|   | -5                               | -5,6      | 11,65 | 3,32  | 11,61 | 3,45  | 11,56 | 3,57  | 11,56 | 3,64  | 11,52 | 3,7   | 11,52 | 3,82 |
|   | -3                               | -3,7      | 12,19 | 3,43  | 12,15 | 3,55  | 12,15 | 3,67  | 12,11 | 3,73  | 12,11 | 3,79  | 12,07 | 3,91 |
|   | 0                                | -0,7      | 13,16 | 3,6   | 13,16 | 3,71  | 13,12 | 3,82  | 13,12 | 3,86  | 13,07 | 3,93  | 13,07 | 4,04 |
|   | 3                                | 2,2       | 14,2  | 3,74  | 14,16 | 3,85  | 14,12 | 3,95  | 14,12 | 4     | 14,12 | 4,06  | 14,08 | 4,16 |
|   | 5                                | 4,1       | 14,92 | 3,84  | 14,88 | 3,94  | 14,88 | 4,03  | 14,83 | 4,08  | 14,83 | 4,13  | 14,79 | 4,23 |
|   | 7                                | 6         | 15,67 | 3,93  | 15,63 | 4,02  | 15,63 | 4,11  | 15,59 | 4,16  | 15,59 | 4,2   | 14,96 | 4,04 |
|   | 9                                | 7,9       | 16,47 | 4,01  | 16,43 | 4,1   | 16,43 | 4,19  | 16,39 | 4,23  | 16,05 | 4,14  | 14,96 | 3,79 |
|   | 11                               | 9,8       | 17,31 | 4,09  | 17,27 | 4,17  | 17,18 | 4,23  | 16,59 | 4,06  | 16,05 | 3,89  | 14,96 | 3,57 |
|   | 13                               | 11,8      | 18,23 | 4,17  | 18,19 | 4,25  | 17,18 | 3,96  | 16,59 | 3,8   | 16,05 | 3,65  | 14,96 | 3,35 |
| 15                                      | 13,7                             | 19,11     | 4,24  | 18,27 | 4,02  | 17,18 | 3,73  | 16,59 | 3,59  | 16,05 | 3,44  | 14,96 | 3,16  |      |
| 120%                                    | -13,7                            | -15       | 9,35  | 2,96  | 9,3   | 3,1   | 9,26  | 3,24  | 9,26  | 3,32  | 9,26  | 3,39  | 9,22  | 3,54 |
|   | -11,8                            | -13       | 9,72  | 3,07  | 9,72  | 3,21  | 9,68  | 3,35  | 9,68  | 3,42  | 9,64  | 3,49  | 9,64  | 3,63 |
|   | -9,8                             | -11       | 10,18 | 3,19  | 10,14 | 3,32  | 10,14 | 3,45  | 10,1  | 3,52  | 10,1  | 3,58  | 10,06 | 3,72 |
|   | -9,5                             | -10       | 10,44 | 3,24  | 10,39 | 3,38  | 10,35 | 3,5   | 10,35 | 3,57  | 10,35 | 3,63  | 10,31 | 3,76 |
|   | -8,5                             | -9,1      | 10,64 | 3,29  | 10,6  | 3,42  | 10,6  | 3,55  | 10,56 | 3,61  | 10,56 | 3,68  | 10,52 | 3,8  |
|   | -7                               | -7,6      | 11,02 | 3,38  | 11,02 | 3,5   | 10,98 | 3,62  | 10,98 | 3,69  | 10,94 | 3,75  | 10,94 | 3,87 |
|   | -5                               | -5,6      | 11,61 | 3,49  | 11,57 | 3,61  | 11,52 | 3,72  | 11,52 | 3,78  | 11,52 | 3,84  | 11,48 | 3,95 |
|   | -3                               | -3,7      | 12,15 | 3,59  | 12,15 | 3,7   | 12,11 | 3,81  | 12,11 | 3,87  | 12,07 | 3,93  | 12,07 | 4,03 |
|   | 0                                | -0,7      | 13,12 | 3,75  | 13,12 | 3,85  | 13,07 | 3,95  | 13,07 | 4     | 13,03 | 4,05  | 13,03 | 4,16 |
|   | 3                                | 2,2       | 14,16 | 3,88  | 14,12 | 3,98  | 14,12 | 4,07  | 14,08 | 4,12  | 14,08 | 4,17  | 13,79 | 4,15 |
|   | 5                                | 4,1       | 14,88 | 3,97  | 14,83 | 4,06  | 14,83 | 4,15  | 14,79 | 4,2   | 14,79 | 4,24  | 13,79 | 3,89 |
|   | 7                                | 6         | 15,63 | 4,05  | 15,63 | 4,14  | 15,59 | 4,22  | 15,34 | 4,16  | 14,83 | 3,99  | 13,79 | 3,66 |
|   | 9                                | 7,9       | 16,43 | 4,13  | 16,39 | 4,21  | 15,84 | 4,07  | 15,34 | 3,91  | 14,83 | 3,75  | 13,79 | 3,45 |
|   | 11                               | 9,8       | 17,27 | 4,2   | 16,85 | 4,13  | 15,84 | 3,83  | 15,34 | 3,68  | 14,83 | 3,53  | 13,79 | 3,25 |
|   | 13                               | 11,8      | 17,89 | 4,16  | 16,85 | 3,88  | 15,84 | 3,59  | 15,34 | 3,46  | 14,83 | 3,32  | 13,79 | 3,06 |
| 15                                      | 13,7                             | 17,89     | 3,92  | 16,85 | 3,65  | 15,84 | 3,39  | 15,34 | 3,26  | 14,83 | 3,13  | 13,79 | 2,88  |      |
| 110%                                    | -13,7                            | -15       | 9,3   | 3,17  | 9,26  | 3,3   | 9,22  | 3,43  | 9,22  | 3,5   | 9,22  | 3,57  | 9,18  | 3,7  |
|   | -11,8                            | -13       | 9,68  | 3,28  | 9,68  | 3,4   | 9,64  | 3,53  | 9,64  | 3,59  | 9,6   | 3,66  | 9,6   | 3,79 |
|   | -9,8                             | -11       | 10,14 | 3,38  | 10,1  | 3,5   | 10,1  | 3,62  | 10,06 | 3,69  | 10,06 | 3,74  | 10,06 | 3,87 |
|   | -9,5                             | -10       | 10,39 | 3,43  | 10,35 | 3,55  | 10,31 | 3,67  | 10,31 | 3,73  | 10,31 | 3,79  | 10,27 | 3,91 |
|   | -8,5                             | -9,1      | 10,6  | 3,48  | 10,56 | 3,6   | 10,56 | 3,71  | 10,52 | 3,77  | 10,52 | 3,83  | 10,52 | 3,49 |
|   | -7                               | -7,6      | 10,98 | 3,56  | 10,98 | 3,67  | 10,94 | 3,78  | 10,94 | 3,84  | 10,94 | 3,89  | 10,9  | 4,01 |
|   | -5                               | -5,6      | 11,57 | 3,66  | 11,52 | 3,77  | 11,48 | 3,87  | 11,48 | 3,93  | 11,48 | 3,98  | 11,44 | 4,09 |
|   | -3                               | -3,7      | 12,11 | 3,75  | 12,11 | 3,85  | 12,07 | 3,96  | 12,07 | 4,01  | 12,03 | 4,06  | 12,03 | 4,16 |
|   | 0                                | -0,7      | 13,07 | 3,89  | 13,07 | 3,99  | 13,03 | 4,08  | 13,03 | 4,13  | 13,03 | 4,18  | 12,66 | 4,1  |
|   | 3                                | 2,2       | 14,12 | 4,02  | 14,08 | 4,11  | 14,08 | 4,2   | 14,04 | 4,24  | 13,58 | 4,07  | 12,66 | 3,73 |
|   | 5                                | 4,1       | 14,83 | 4,1   | 14,83 | 4,19  | 14,54 | 4,15  | 14,04 | 3,98  | 13,58 | 3,82  | 12,66 | 3,51 |
|   | 7                                | 6         | 15,59 | 4,18  | 15,46 | 4,2   | 14,54 | 3,89  | 14,04 | 3,74  | 13,58 | 3,59  | 12,66 | 3,3  |
|   | 9                                | 7,9       | 16,38 | 4,25  | 15,46 | 3,95  | 14,54 | 3,66  | 14,04 | 3,52  | 13,58 | 3,38  | 12,66 | 3,11 |
|   | 11                               | 9,8       | 16,38 | 3,99  | 15,46 | 3,72  | 14,54 | 3,45  | 14,04 | 3,32  | 13,58 | 3,19  | 12,66 | 2,93 |
|   | 13                               | 11,8      | 16,38 | 3,74  | 15,46 | 3,49  | 14,54 | 3,24  | 14,04 | 3,12  | 13,58 | 3     | 12,66 | 2,76 |
| 15                                      | 13,7                             | 16,38     | 3,33  | 15,46 | 3,29  | 14,54 | 3,06  | 14,04 | 2,94  | 13,58 | 2,83  | 12,66 | 2,61  |      |

kWt = Heating capacity [kW]  
kWe = Compressor + Fan power input [kW]  
DB=Dry bulb  
WB=Wet bulb

# Performance in Heating

## MSAN-XMi 120M/120T

| Indoor/<br>Outdoor<br>Capacity<br>Ratio | Indoor air temperature D.B. (°C) |           |       |       |       |       |       |       |       |       |       |       |       |      |
|---|----------------------------------|-----------|-------|-------|-------|-------|-------|-------|-------|-------|-------|-------|-------|------|
|   | Outdoor air temperature (°C)     |           | 16    |       | 18    |       | 20    |       | 21    |       | 22    |       | 24    |      |
|   | D.B. (°C)                        | W.B. (°C) | kWt   | kWe   | kWt   | kWe   | kWt   | kWe   | kWt   | kWe   | kWt   | kWe   | kWt   | kWe  |
| 100%                                    | -13,7                            | -15       | 9,26  | 3,38  | 9,22  | 3,5   | 9,18  | 3,62  | 9,18  | 3,69  | 9,18  | 3,74  | 9,14  | 3,87 |
|   | -11,8                            | -13       | 9,64  | 3,48  | 9,64  | 3,59  | 9,6   | 3,71  | 9,6   | 3,77  | 9,6   | 3,83  | 9,55  | 3,94 |
|   | -9,8                             | -11       | 10,1  | 3,57  | 10,06 | 3,69  | 10,06 | 3,79  | 10,06 | 3,85  | 10,01 | 3,91  | 10,01 | 4,02 |
|   | -9,5                             | -10       | 10,35 | 3,62  | 10,31 | 3,73  | 10,31 | 3,84  | 10,27 | 3,89  | 10,27 | 3,95  | 10,22 | 4,06 |
|   | -8,5                             | -9,1      | 10,56 | 3,66  | 10,52 | 3,77  | 10,52 | 3,88  | 10,52 | 3,93  | 10,48 | 3,98  | 10,48 | 4,09 |
|   | -7                               | -7,6      | 10,94 | 3,74  | 10,94 | 3,84  | 10,9  | 3,94  | 10,9  | 3,99  | 10,9  | 4,04  | 10,85 | 4,15 |
|   | -5                               | -5,6      | 11,52 | 3,83  | 11,48 | 3,93  | 11,48 | 4,02  | 11,44 | 4,07  | 11,44 | 4,12  | 11,4  | 4,22 |
|   | -3                               | -3,7      | 12,07 | 3,92  | 12,07 | 3,56  | 12,03 | 4,1   | 12,03 | 4,15  | 12,03 | 4,19  | 11,52 | 4,02 |
|   | 0                                | -0,7      | 13,03 | 4,04  | 13,03 | 4,13  | 12,99 | 4,21  | 12,78 | 4,15  | 12,36 | 3,97  | 11,52 | 3,65 |
|   | 3                                | 2,2       | 14,08 | 4,16  | 14,04 | 4,24  | 13,2  | 3,92  | 12,78 | 3,77  | 12,36 | 3,62  | 11,52 | 3,32 |
|   | 5                                | 4,1       | 14,79 | 4,24  | 14,04 | 3,98  | 13,2  | 3,69  | 12,78 | 3,55  | 12,36 | 3,41  | 11,52 | 3,13 |
|   | 7                                | 6         | 14,88 | 4,02  | 14,04 | 3,74  | 13,2  | 3,47  | 12,78 | 3,34  | 12,36 | 3,21  | 11,52 | 2,95 |
|   | 9                                | 7,9       | 14,88 | 3,78  | 14,04 | 3,52  | 13,2  | 3,27  | 12,78 | 3,1   | 12,36 | 3,02  | 11,52 | 2,79 |
|   | 11                               | 9,8       | 14,88 | 3,56  | 14,04 | 3,32  | 13,2  | 3,08  | 12,78 | 2,97  | 12,36 | 2,85  | 11,52 | 2,63 |
|   | 13                               | 11,8      | 14,88 | 3,34  | 14,04 | 3,12  | 13,2  | 2,9   | 12,78 | 2,79  | 12,36 | 2,69  | 11,52 | 2,48 |
| 15                                      | 13,7                             | 14,88     | 3,15  | 14,04 | 2,94  | 13,2  | 2,74  | 12,78 | 2,64  | 12,36 | 2,54  | 11,52 | 2,35  |      |
| 90%                                     | -13,7                            | -15       | 9,2   | 3,6   | 9,16  | 3,7   | 9,16  | 3,81  | 9,12  | 3,87  | 9,12  | 3,92  | 9,12  | 4,03 |
|   | -11,8                            | -13       | 9,58  | 3,68  | 9,58  | 3,79  | 9,54  | 3,89  | 9,54  | 3,94  | 9,54  | 3,99  | 9,5   | 4,1  |
|   | -9,8                             | -11       | 10,04 | 3,77  | 10,04 | 3,87  | 10    | 3,97  | 10    | 4,02  | 10    | 4,07  | 9,96  | 4,17 |
|   | -9,5                             | -10       | 10,29 | 3,81  | 10,25 | 3,91  | 10,25 | 4,01  | 10,21 | 4,06  | 10,21 | 4,11  | 10,21 | 4,2  |
|   | -8,5                             | -9,1      | 10,5  | 3,85  | 10,5  | 3,95  | 10,46 | 4,04  | 10,46 | 4,09  | 10,46 | 4,14  | 10,33 | 4,18 |
|   | -7                               | -7,6      | 10,88 | 3,92  | 10,88 | 4,01  | 10,83 | 4,1   | 10,83 | 4,15  | 10,83 | 4,19  | 10,33 | 3,99 |
|   | -5                               | -5,6      | 11,46 | 4     | 11,42 | 4,09  | 11,42 | 4,17  | 11,38 | 4,22  | 11,09 | 4,09  | 10,33 | 3,75 |
|   | -3                               | -3,7      | 12,01 | 4,08  | 12,01 | 4,16  | 11,88 | 4,18  | 11,46 | 4,01  | 11,09 | 3,85  | 10,33 | 3,53 |
|   | 0                                | -0,7      | 13,01 | 4,2   | 12,63 | 4,09  | 11,88 | 3,79  | 11,46 | 3,64  | 11,09 | 3,5   | 10,33 | 3,21 |
|   | 3                                | 2,2       | 13,39 | 4     | 12,63 | 3,72  | 11,88 | 3,45  | 11,46 | 3,32  | 11,09 | 3,19  | 10,33 | 2,94 |
|   | 5                                | 4,1       | 13,39 | 3,76  | 12,63 | 3,5   | 11,88 | 3,25  | 11,46 | 3,13  | 11,09 | 3,01  | 10,33 | 2,77 |
|   | 7                                | 6         | 13,39 | 3,53  | 12,63 | 3,3   | 11,88 | 3,06  | 11,46 | 2,95  | 11,09 | 2,84  | 10,33 | 2,62 |
|   | 9                                | 7,9       | 13,39 | 3,33  | 12,63 | 3,1   | 11,88 | 2,89  | 11,46 | 2,78  | 11,09 | 2,68  | 10,33 | 2,47 |
|   | 11                               | 9,8       | 13,39 | 3,14  | 12,63 | 2,93  | 11,88 | 2,73  | 11,46 | 2,63  | 11,09 | 2,53  | 10,33 | 2,34 |
|   | 13                               | 11,8      | 13,39 | 2,95  | 12,63 | 2,76  | 11,88 | 2,57  | 11,46 | 2,48  | 11,09 | 2,39  | 10,33 | 2,21 |
| 15                                      | 13,7                             | 13,39     | 2,79  | 12,63 | 2,61  | 11,88 | 2,44  | 11,46 | 2,35  | 11,09 | 2,27  | 10,33 | 2,1   |      |
| 80%                                     | -13,7                            | -15       | 9,18  | 3,81  | 9,14  | 3,9   | 9,14  | 4     | 9,14  | 4,05  | 9,09  | 4,1   | 9,09  | 4,2  |
|   | -11,8                            | -13       | 9,55  | 3,88  | 9,55  | 3,98  | 9,51  | 4,07  | 9,51  | 4,11  | 9,51  | 4,16  | 9,22  | 4,05 |
|   | -9,8                             | -11       | 10,02 | 3,96  | 10,02 | 4,05  | 9,97  | 4,14  | 9,97  | 4,18  | 9,89  | 4,17  | 9,22  | 3,83 |
|   | -9,5                             | -10       | 10,27 | 4     | 10,22 | 4,09  | 10,23 | 4,17  | 10,23 | 4,22  | 9,89  | 4,05  | 9,22  | 3,71 |
|   | -8,5                             | -9,1      | 10,48 | 4,04  | 9,74  | 4,12  | 10,43 | 4,2   | 10,23 | 4,11  | 9,89  | 3,94  | 9,22  | 3,61 |
|   | -7                               | -7,6      | 10,85 | 4,1   | 10,85 | 4,18  | 10,56 | 4,09  | 10,23 | 3,92  | 9,89  | 3,77  | 9,22  | 3,46 |
|   | -5                               | -5,6      | 11,44 | 4,17  | 11,23 | 4,15  | 10,56 | 3,84  | 10,23 | 3,69  | 9,89  | 3,54  | 9,22  | 3,25 |
|   | -3                               | -3,7      | 11,9  | 4,19  | 11,23 | 3,9   | 10,56 | 3,61  | 10,23 | 3,48  | 9,89  | 3,34  | 9,22  | 3,07 |
|   | 0                                | -0,7      | 11,9  | 3,8   | 11,23 | 3,54  | 10,56 | 3,29  | 10,23 | 3,17  | 9,89  | 3,04  | 9,22  | 2,8  |
|   | 3                                | 2,2       | 11,9  | 3,47  | 11,23 | 3,23  | 10,56 | 3,01  | 10,23 | 2,89  | 9,89  | 2,78  | 9,22  | 2,57 |
|   | 5                                | 4,1       | 11,9  | 3,26  | 11,23 | 3,05  | 10,56 | 2,83  | 10,23 | 2,73  | 9,89  | 2,63  | 9,22  | 2,43 |
|   | 7                                | 6         | 11,9  | 3,07  | 11,23 | 2,88  | 10,56 | 2,68  | 10,23 | 2,58  | 9,89  | 2,49  | 9,22  | 2,3  |
|   | 9                                | 7,9       | 11,9  | 2,9   | 11,23 | 2,71  | 10,56 | 2,53  | 10,23 | 2,44  | 9,89  | 2,35  | 9,22  | 2,18 |
|   | 11                               | 9,8       | 11,9  | 2,74  | 11,23 | 2,56  | 10,56 | 2,39  | 10,23 | 2,31  | 9,89  | 2,23  | 9,22  | 2,06 |
|   | 13                               | 11,8      | 11,9  | 2,58  | 11,23 | 2,42  | 10,56 | 2,26  | 10,23 | 2,18  | 9,89  | 2,1   | 9,22  | 1,95 |
| 15                                      | 13,7                             | 11,9      | 2,44  | 11,23 | 2,29  | 10,56 | 2,14  | 10,23 | 2,07  | 9,89  | 2     | 9,22  | 1,86  |      |

kWt = Heating capacity [kW]  
 kWe = Compressor + Fan power input [kW]  
 DB=Dry bulb  
 WB=Wet bulb

# Performance in Heating

## MSAN-XMi 120M/120T

| Indoor/<br>Outdoor<br>Capacity<br>Ratio | Indoor air temperature D.B. (°C) |           |       |      |      |      |      |      |      |      |      |      |      |      |
|---|----------------------------------|-----------|-------|------|------|------|------|------|------|------|------|------|------|------|
|   | Outdoor air temperature (°C)     |           | 16    |      | 18   |      | 20   |      | 21   |      | 22   |      | 24   |      |
|   | D.B. (°C)                        | W.B. (°C) | kWt   | kWe  | kWt  | kWe  | kWt  | kWe  | kWt  | kWe  | kWt  | kWe  | kWt  | kWe  |
| 70%                                     | -13,7                            | -15       | 9,11  | 4,02 | 9,07 | 4,11 | 9,07 | 4,19 | 8,91 | 4,13 | 8,61 | 3,96 | 8,03 | 3,63 |
|   | -11,8                            | -13       | 9,49  | 4,09 | 9,49 | 4,17 | 9,24 | 4,07 | 8,91 | 3,91 | 8,61 | 3,75 | 8,03 | 3,44 |
|   | -9,8                             | -11       | 9,95  | 4,15 | 9,82 | 4,15 | 9,24 | 3,84 | 8,91 | 3,7  | 8,61 | 3,55 | 8,03 | 3,26 |
|   | -9,5                             | -10       | 10,2  | 4,19 | 9,82 | 4,03 | 9,24 | 3,73 | 8,91 | 3,59 | 8,61 | 3,45 | 8,03 | 3,17 |
|   | -8,5                             | -9,1      | 10,41 | 4,21 | 9,82 | 3,92 | 9,24 | 3,63 | 8,91 | 3,49 | 8,61 | 3,36 | 8,03 | 3,09 |
|   | -7                               | -7,6      | 10,41 | 4,02 | 9,82 | 3,74 | 9,24 | 3,47 | 8,91 | 3,34 | 8,61 | 3,21 | 8,03 | 2,96 |
|   | -5                               | -5,6      | 10,41 | 3,78 | 9,82 | 3,52 | 9,24 | 3,27 | 8,91 | 3,15 | 8,61 | 3,12 | 8,03 | 2,79 |
|   | -3                               | -3,7      | 10,41 | 3,56 | 9,82 | 3,32 | 9,24 | 3,09 | 8,91 | 2,97 | 8,61 | 2,86 | 8,03 | 2,64 |
|   | 0                                | -0,7      | 10,41 | 3,24 | 9,82 | 3,03 | 9,24 | 2,82 | 8,91 | 2,71 | 8,61 | 2,61 | 8,03 | 2,42 |
|   | 3                                | 2,2       | 10,41 | 2,96 | 9,82 | 2,77 | 9,24 | 2,58 | 8,91 | 2,49 | 8,61 | 2,4  | 8,03 | 2,22 |
|   | 5                                | 4,1       | 10,41 | 2,79 | 9,82 | 2,61 | 9,24 | 2,44 | 8,91 | 2,35 | 8,61 | 2,27 | 8,03 | 2,1  |
|   | 7                                | 6         | 10,41 | 2,64 | 9,82 | 2,47 | 9,24 | 2,31 | 8,91 | 2,23 | 8,61 | 2,15 | 8,03 | 1,99 |
|   | 9                                | 7,9       | 10,41 | 2,5  | 9,82 | 2,34 | 9,24 | 2,19 | 8,91 | 2,11 | 8,61 | 2,04 | 8,03 | 1,89 |
|   | 11                               | 9,8       | 10,41 | 2,36 | 9,82 | 2,21 | 9,24 | 2,07 | 8,91 | 2    | 8,61 | 1,93 | 8,03 | 1,79 |
|   | 13                               | 11,8      | 10,41 | 2,23 | 9,82 | 2,1  | 9,24 | 1,96 | 8,91 | 1,9  | 8,61 | 1,83 | 8,03 | 1,7  |
| 15                                      | 13,7                             | 10,41     | 2,11  | 9,82 | 1,99 | 9,24 | 1,86 | 8,91 | 1,8  | 8,61 | 1,74 | 8,03 | 1,62 |      |
| 60%                                     | -13,7                            | -15       | 8,93  | 4,13 | 8,42 | 3,84 | 7,92 | 3,56 | 7,67 | 3,42 | 7,42 | 3,29 | 6,91 | 3,02 |
|   | -11,8                            | -13       | 8,93  | 3,91 | 8,42 | 3,64 | 7,92 | 3,38 | 7,67 | 3,25 | 7,42 | 3,12 | 6,91 | 2,89 |
|   | -9,8                             | -11       | 8,93  | 3,69 | 8,42 | 3,44 | 7,92 | 3,19 | 7,67 | 3,07 | 7,42 | 2,96 | 6,91 | 2,73 |
|   | -9,5                             | -10       | 8,93  | 3,59 | 8,42 | 3,34 | 7,92 | 3,1  | 7,67 | 2,99 | 7,42 | 2,87 | 6,91 | 2,65 |
|   | -8,5                             | -9,1      | 8,93  | 3,49 | 8,42 | 3,26 | 7,92 | 3,03 | 7,67 | 2,92 | 7,42 | 2,8  | 6,91 | 2,59 |
|   | -7                               | -7,6      | 8,93  | 3,34 | 8,42 | 3,12 | 7,92 | 2,9  | 7,67 | 2,79 | 7,42 | 2,69 | 6,91 | 2,48 |
|   | -5                               | -5,6      | 8,93  | 3,15 | 8,42 | 2,94 | 7,92 | 2,74 | 7,67 | 2,64 | 7,42 | 2,54 | 6,91 | 2,35 |
|   | -3                               | -3,7      | 8,93  | 2,97 | 8,42 | 2,78 | 7,92 | 2,59 | 7,67 | 2,5  | 7,42 | 2,4  | 6,91 | 2,22 |
|   | 0                                | -0,7      | 8,93  | 2,71 | 8,42 | 2,54 | 7,92 | 2,37 | 7,67 | 2,29 | 7,42 | 2,2  | 6,91 | 2,04 |
|   | 3                                | 2,2       | 8,93  | 2,49 | 8,42 | 2,33 | 7,92 | 2,18 | 7,67 | 2,1  | 7,42 | 2,03 | 6,91 | 1,88 |
|   | 5                                | 4,1       | 8,93  | 2,35 | 8,42 | 2,21 | 7,92 | 2,06 | 7,67 | 2    | 7,42 | 1,92 | 6,91 | 1,79 |
|   | 7                                | 6         | 8,93  | 2,23 | 8,42 | 2,09 | 7,92 | 1,96 | 7,67 | 1,89 | 7,42 | 1,83 | 6,91 | 1,7  |
|   | 9                                | 7,9       | 8,93  | 2,11 | 8,42 | 1,98 | 7,92 | 1,86 | 7,67 | 1,8  | 7,42 | 1,73 | 6,91 | 1,62 |
|   | 11                               | 9,8       | 8,93  | 2    | 8,42 | 1,88 | 7,92 | 1,77 | 7,67 | 1,71 | 7,42 | 1,65 | 6,91 | 1,54 |
|   | 13                               | 11,8      | 8,93  | 1,89 | 8,42 | 1,78 | 7,92 | 1,68 | 7,67 | 1,62 | 7,42 | 1,57 | 6,91 | 1,46 |
| 15                                      | 13,7                             | 8,93      | 1,8   | 8,42 | 1,69 | 7,92 | 1,6  | 7,67 | 1,55 | 7,42 | 1,5  | 6,91 | 1,4  |      |
| 50%                                     | -13,7                            | -15       | 7,44  | 3,31 | 7,02 | 3,09 | 6,6  | 2,87 | 6,35 | 2,77 | 6,14 | 2,66 | 5,72 | 2,46 |
|   | -11,8                            | -13       | 7,44  | 3,14 | 7,02 | 2,93 | 6,6  | 2,73 | 6,35 | 2,63 | 6,14 | 2,53 | 5,72 | 2,34 |
|   | -9,8                             | -11       | 7,44  | 2,97 | 7,02 | 2,78 | 6,6  | 2,59 | 6,35 | 2,5  | 6,14 | 2,41 | 5,72 | 2,23 |
|   | -9,5                             | -10       | 7,44  | 2,89 | 7,02 | 2,7  | 6,6  | 2,52 | 6,35 | 2,43 | 6,14 | 2,34 | 5,72 | 2,17 |
|   | -8,5                             | -9,1      | 7,44  | 2,82 | 7,02 | 2,64 | 6,6  | 2,46 | 6,35 | 2,37 | 6,14 | 2,29 | 5,72 | 2,12 |
|   | -7                               | -7,6      | 7,44  | 2,7  | 7,02 | 2,53 | 6,6  | 2,36 | 6,35 | 2,28 | 6,14 | 2,2  | 5,72 | 2,04 |
|   | -5                               | -5,6      | 7,44  | 2,55 | 7,02 | 2,39 | 6,6  | 2,24 | 6,35 | 2,16 | 6,14 | 2,08 | 5,72 | 1,93 |
|   | -3                               | -3,7      | 7,44  | 2,42 | 7,02 | 2,27 | 6,6  | 2,12 | 6,35 | 2,05 | 6,14 | 1,97 | 5,72 | 1,83 |
|   | 0                                | -0,7      | 7,44  | 2,22 | 7,02 | 2,08 | 6,6  | 1,95 | 6,35 | 1,88 | 6,14 | 1,82 | 5,72 | 1,69 |
|   | 3                                | 2,2       | 7,44  | 2,04 | 7,02 | 1,92 | 6,6  | 1,8  | 6,35 | 1,74 | 6,14 | 1,68 | 5,72 | 1,57 |
|   | 5                                | 4,1       | 7,44  | 1,94 | 7,02 | 1,82 | 6,6  | 1,71 | 6,35 | 1,65 | 6,14 | 1,6  | 5,72 | 1,49 |
|   | 7                                | 6         | 7,44  | 1,84 | 7,02 | 1,73 | 6,6  | 1,63 | 6,35 | 1,57 | 6,14 | 1,52 | 5,72 | 1,42 |
|   | 9                                | 7,9       | 7,44  | 1,74 | 7,02 | 1,64 | 6,6  | 1,55 | 6,35 | 1,5  | 6,14 | 1,45 | 5,72 | 1,36 |
|   | 11                               | 9,8       | 7,44  | 1,66 | 7,02 | 1,56 | 6,6  | 1,47 | 6,35 | 1,43 | 6,14 | 1,38 | 5,72 | 1,29 |
|   | 13                               | 11,8      | 7,44  | 1,58 | 7,02 | 1,49 | 6,6  | 1,4  | 6,35 | 1,36 | 6,14 | 1,32 | 5,72 | 1,23 |
| 15                                      | 13,7                             | 7,44      | 1,5   | 7,02 | 1,42 | 6,6  | 1,34 | 6,35 | 1,3  | 6,14 | 1,26 | 5,72 | 1,18 |      |

kWt = Heating capacity [kW]  
kWe = Compressor + Fan power input [kW]  
DB=Dry bulb  
WB=Wet bulb

Notes: It is recommended to have system with Indoor/Outdoor Capacity Ratio less than 130%  
Avoid running the unit in heating mode when outdoor air temperature is below -20°C  
The above capacity tables show the average values in operating condition

# Performance in Heating

## MSAN-XMi 140M/140T

| Indoor/<br>Outdoor<br>Capacity<br>Ratio | Indoor air temperature D.B. (°C) |           |      |      |      |      |      |      |      |      |      |      |      |      |
|---|----------------------------------|-----------|------|------|------|------|------|------|------|------|------|------|------|------|
|   | Outdoor air temperature (°C)     |           | 16   |      | 18   |      | 20   |      | 21   |      | 22   |      | 24   |      |
|   | D.B. (°C)                        | W.B. (°C) | kWt  | kWe  | kWt  | kWe  | kWt  | kWe  | kWt  | kWe  | kWt  | kWe  | kWt  | kWe  |
| 130%                                    | -13,7                            | -15       | 11   | 3,2  | 10,9 | 3,39 | 10,9 | 3,57 | 10,9 | 3,66 | 10,8 | 3,76 | 10,8 | 3,94 |
|   | -11,8                            | -13       | 11,4 | 3,35 | 11,4 | 3,52 | 11,3 | 3,7  | 11,3 | 3,79 | 11,3 | 3,88 | 11,2 | 4,05 |
|   | -9,8                             | -11       | 11,9 | 3,49 | 11,9 | 3,66 | 11,8 | 3,83 | 11,8 | 3,91 | 11,8 | 4    | 11,8 | 4,17 |
|   | -9,5                             | -10       | 12,2 | 3,57 | 12,2 | 3,73 | 12,1 | 3,89 | 12,1 | 3,98 | 12,1 | 4,06 | 12,1 | 4,22 |
|   | -8,5                             | -9,1      | 12,5 | 3,63 | 12,4 | 3,79 | 12,4 | 3,95 | 12,4 | 4,03 | 12,4 | 4,11 | 12,3 | 4,27 |
|   | -7                               | -7,6      | 12,9 | 3,73 | 12,9 | 3,89 | 12,9 | 4,04 | 12,9 | 4,12 | 12,8 | 4,2  | 12,8 | 4,36 |
|   | -5                               | -5,6      | 13,6 | 3,88 | 13,5 | 4,02 | 13,5 | 4,17 | 13,5 | 4,24 | 13,4 | 4,31 | 13,4 | 4,46 |
|   | -3                               | -3,7      | 14,2 | 4    | 14,2 | 4,14 | 14,2 | 4,28 | 14,1 | 4,36 | 14,1 | 4,42 | 14,1 | 4,56 |
|   | 0                                | -0,7      | 15,4 | 4,2  | 15,4 | 4,33 | 15,3 | 4,45 | 15,3 | 4,5  | 15,3 | 4,59 | 15,3 | 4,71 |
|   | 3                                | 2,2       | 16,6 | 4,37 | 16,5 | 4,49 | 16,5 | 4,61 | 16,5 | 4,67 | 16,5 | 4,73 | 16,4 | 4,85 |
|   | 5                                | 4,1       | 17,4 | 4,48 | 17,4 | 4,6  | 17,4 | 4,71 | 17,3 | 4,77 | 17,3 | 4,82 | 17,3 | 4,93 |
|   | 7                                | 6         | 18,3 | 4,59 | 18,2 | 4,69 | 18,2 | 4,8  | 18,2 | 4,85 | 18,2 | 4,91 | 17,5 | 4,71 |
|   | 9                                | 7,9       | 19,2 | 4,68 | 19,2 | 4,79 | 19,2 | 4,89 | 19,1 | 4,94 | 18,7 | 4,83 | 17,5 | 4,43 |
|   | 11                               | 9,8       | 20,2 | 4,78 | 20,1 | 4,87 | 20   | 4,93 | 19,4 | 4,74 | 18,7 | 4,54 | 17,5 | 4,17 |
|   | 13                               | 11,8      | 21,3 | 4,86 | 21,2 | 4,96 | 20   | 4,62 | 19,4 | 4,44 | 18,7 | 4,27 | 17,5 | 3,91 |
| 15                                      | 13,7                             | 22,3      | 4,95 | 21,3 | 4,7  | 20   | 4,36 | 19,4 | 4,19 | 18,7 | 4,02 | 17,5 | 3,69 |      |
| 120%                                    | -13,7                            | -15       | 10,9 | 3,45 | 10,9 | 3,62 | 10,8 | 3,79 | 10,8 | 3,88 | 10,8 | 3,96 | 10,8 | 4,13 |
|   | -11,8                            | -13       | 11,3 | 3,58 | 11,3 | 3,75 | 11,3 | 3,91 | 11,3 | 3,99 | 11,2 | 4,07 | 11,2 | 4,23 |
|   | -9,8                             | -11       | 11,9 | 3,72 | 11,8 | 3,87 | 11,8 | 4,03 | 11,8 | 4,11 | 11,8 | 4,18 | 11,7 | 4,34 |
|   | -9,5                             | -10       | 12,2 | 3,79 | 12,1 | 3,94 | 12,1 | 4,09 | 12,1 | 4,17 | 12,1 | 4,24 | 12   | 4,39 |
|   | -8,5                             | -9,1      | 12,4 | 3,84 | 12,4 | 3,99 | 12,4 | 4,14 | 12,3 | 4,21 | 12,3 | 4,29 | 12,3 | 4,44 |
|   | -7                               | -7,6      | 12,9 | 3,94 | 12,9 | 4,09 | 12,8 | 4,23 | 12,8 | 4,3  | 12,8 | 4,37 | 12,8 | 4,51 |
|   | -5                               | -5,6      | 13,5 | 4,07 | 13,5 | 4,21 | 13,4 | 4,34 | 13,4 | 4,41 | 13,4 | 4,48 | 13,4 | 4,61 |
|   | -3                               | -3,7      | 14,2 | 4,19 | 14,2 | 4,32 | 14,1 | 4,45 | 14,1 | 4,51 | 14,1 | 4,58 | 14,1 | 4,71 |
|   | 0                                | -0,7      | 15,3 | 4,37 | 15,3 | 4,49 | 15,3 | 4,61 | 15,3 | 4,67 | 15,2 | 4,73 | 15,2 | 4,85 |
|   | 3                                | 2,2       | 16,5 | 4,53 | 16,5 | 4,64 | 16,5 | 4,75 | 16,4 | 4,81 | 16,4 | 4,87 | 16,1 | 4,84 |
|   | 5                                | 4,1       | 17,4 | 4,63 | 17,3 | 4,74 | 17,3 | 4,84 | 17,3 | 4,9  | 17,3 | 4,95 | 16,1 | 4,54 |
|   | 7                                | 6         | 18,2 | 4,73 | 18,2 | 4,83 | 18,2 | 4,93 | 17,9 | 4,86 | 17,3 | 4,66 | 16,1 | 4,28 |
|   | 9                                | 7,9       | 19,2 | 4,82 | 19,1 | 4,92 | 18,5 | 4,75 | 17,9 | 4,57 | 17,3 | 4,38 | 16,1 | 4,02 |
|   | 11                               | 9,8       | 20,1 | 4,91 | 19,7 | 4,82 | 18,5 | 4,47 | 17,9 | 4,3  | 17,3 | 4,12 | 16,1 | 3,79 |
|   | 13                               | 11,8      | 20,9 | 4,86 | 19,7 | 4,52 | 18,5 | 4,19 | 17,9 | 4,03 | 17,3 | 3,88 | 16,1 | 3,57 |
| 15                                      | 13,7                             | 20,9      | 4,58 | 19,7 | 4,26 | 18,5 | 3,96 | 17,9 | 3,8  | 17,3 | 3,66 | 16,1 | 3,37 |      |
| 110%                                    | -13,7                            | -15       | 10,9 | 3,7  | 10,8 | 3,86 | 10,8 | 4,01 | 10,8 | 4,09 | 10,8 | 4,17 | 10,7 | 4,32 |
|   | -11,8                            | -13       | 11,3 | 3,82 | 11,3 | 3,97 | 11,2 | 4,12 | 11,2 | 4,19 | 11,2 | 4,27 | 11,2 | 4,42 |
|   | -9,8                             | -11       | 11,8 | 3,95 | 11,8 | 4,09 | 11,8 | 4,23 | 11,7 | 4,3  | 11,7 | 4,37 | 11,7 | 4,51 |
|   | -9,5                             | -10       | 12,1 | 4,01 | 12,1 | 4,14 | 12   | 4,29 | 12   | 4,35 | 12   | 4,42 | 12   | 4,56 |
|   | -8,5                             | -9,1      | 12,4 | 4,06 | 12,3 | 4,2  | 12,3 | 4,33 | 12,3 | 4,4  | 12,3 | 4,47 | 12,3 | 4,08 |
|   | -7                               | -7,6      | 12,8 | 4,16 | 12,8 | 4,28 | 12,8 | 4,41 | 12,8 | 4,48 | 12,8 | 4,54 | 12,7 | 4,68 |
|   | -5                               | -5,6      | 13,5 | 4,27 | 13,4 | 4,4  | 13,4 | 4,52 | 13,4 | 4,58 | 13,4 | 4,64 | 13,3 | 4,77 |
|   | -3                               | -3,7      | 14,1 | 4,38 | 14,1 | 4,5  | 14,1 | 4,62 | 14,1 | 4,68 | 14   | 4,73 | 14   | 4,85 |
|   | 0                                | -0,7      | 15,3 | 4,54 | 15,3 | 4,65 | 15,2 | 4,77 | 15,2 | 4,82 | 15,2 | 4,88 | 14,8 | 4,78 |
|   | 3                                | 2,2       | 16,5 | 4,7  | 16,4 | 4,8  | 16,4 | 4,9  | 16,4 | 4,94 | 15,8 | 4,74 | 14,8 | 4,35 |
|   | 5                                | 4,1       | 17,3 | 4,79 | 17,3 | 4,89 | 17   | 4,84 | 16,4 | 4,64 | 15,8 | 4,46 | 14,8 | 4,09 |
|   | 7                                | 6         | 18,2 | 4,88 | 18   | 4,91 | 17   | 4,54 | 16,4 | 4,37 | 15,8 | 4,19 | 14,8 | 3,85 |
|   | 9                                | 7,9       | 19,1 | 4,95 | 18   | 4,61 | 17   | 4,28 | 16,4 | 4,11 | 15,8 | 3,95 | 14,8 | 3,63 |
|   | 11                               | 9,8       | 19,1 | 4,66 | 18   | 4,34 | 17   | 4,02 | 16,4 | 3,87 | 15,8 | 3,72 | 14,8 | 3,42 |
|   | 13                               | 11,8      | 19,1 | 4,37 | 18   | 4,07 | 17   | 3,78 | 16,4 | 3,64 | 15,8 | 3,5  | 14,8 | 3,22 |
| 15                                      | 13,7                             | 19,1      | 3,88 | 18   | 3,84 | 17   | 3,57 | 16,4 | 3,43 | 15,8 | 3,31 | 14,8 | 3,05 |      |

kWt = Heating capacity [kW]  
kWe = Compressor + Fan power input [kW]  
DB=Dry bulb  
WB=Wet bulb

# Performance in Heating

## MSAN-XMi 140M/140T

| Indoor/<br>Outdoor<br>Capacity<br>Ratio | Indoor air temperature D.B. (°C) |           |      |      |      |      |      |      |      |      |      |      |      |      |
|---|----------------------------------|-----------|------|------|------|------|------|------|------|------|------|------|------|------|
|   | Outdoor air temperature (°C)     |           | 16   |      | 18   |      | 20   |      | 21   |      | 22   |      | 24   |      |
|   | D.B. (°C)                        | W.B. (°C) | kWt  | kWe  | kWt  | kWe  | kWt  | kWe  | kWt  | kWe  | kWt  | kWe  | kWt  | kWe  |
| 100%                                    | -13,7                            | -15       | 10,8 | 3,94 | 10,8 | 4,09 | 10,7 | 4,23 | 10,7 | 4,3  | 10,7 | 4,37 | 10,7 | 4,51 |
|   | -11,8                            | -13       | 11,2 | 4,06 | 11,2 | 4,19 | 11,2 | 4,33 | 11,2 | 4,4  | 11,2 | 4,47 | 11,1 | 4,6  |
|   | -9,8                             | -11       | 11,8 | 4,17 | 11,7 | 4,3  | 11,7 | 4,43 | 11,7 | 4,5  | 11,7 | 4,56 | 11,7 | 4,69 |
|   | -9,5                             | -10       | 12,1 | 4,23 | 12   | 4,35 | 12   | 4,48 | 12   | 4,54 | 12   | 4,61 | 11,9 | 4,73 |
|   | -8,5                             | -9,1      | 12,3 | 4,28 | 12,3 | 4,4  | 12,3 | 4,52 | 12,3 | 4,59 | 12,2 | 4,65 | 12,2 | 4,77 |
|   | -7                               | -7,6      | 12,8 | 4,36 | 12,8 | 4,48 | 12,7 | 4,6  | 12,7 | 4,66 | 12,7 | 4,72 | 12,7 | 4,84 |
|   | -5                               | -5,6      | 13,4 | 4,47 | 13,4 | 4,58 | 13,4 | 4,7  | 13,3 | 4,75 | 13,3 | 4,81 | 13,3 | 4,92 |
|   | -3                               | -3,7      | 14,1 | 4,57 | 14,1 | 4,15 | 14   | 4,79 | 14   | 4,84 | 14   | 4,89 | 13,4 | 4,69 |
|   | 0                                | -0,7      | 15,2 | 4,72 | 15,2 | 4,82 | 15,2 | 4,92 | 14,9 | 4,84 | 14,4 | 4,64 | 13,4 | 4,25 |
|   | 3                                | 2,2       | 16,4 | 4,85 | 16,4 | 4,94 | 15,4 | 4,58 | 14,9 | 4,4  | 14,4 | 4,22 | 13,4 | 3,88 |
|   | 5                                | 4,1       | 17,3 | 4,94 | 16,4 | 4,64 | 15,4 | 4,3  | 14,9 | 4,14 | 14,4 | 3,98 | 13,4 | 3,66 |
|   | 7                                | 6         | 17,4 | 4,69 | 16,4 | 4,37 | 15,4 | 4,05 | 14,9 | 3,9  | 14,4 | 3,75 | 13,4 | 3,44 |
|   | 9                                | 7,9       | 17,4 | 4,41 | 16,4 | 4,11 | 15,4 | 3,81 | 14,9 | 3,62 | 14,4 | 3,53 | 13,4 | 3,25 |
|   | 11                               | 9,8       | 17,4 | 4,15 | 16,4 | 3,87 | 15,4 | 3,6  | 14,9 | 3,46 | 14,4 | 3,33 | 13,4 | 3,07 |
|   | 13                               | 11,8      | 17,4 | 3,9  | 16,4 | 3,64 | 15,4 | 3,39 | 14,9 | 3,26 | 14,4 | 3,14 | 13,4 | 2,9  |
| 15                                      | 13,7                             | 17,4      | 3,68 | 16,4 | 3,43 | 15,4 | 3,2  | 14,9 | 3,08 | 14,4 | 2,97 | 13,4 | 2,75 |      |
| 90%                                     | -13,7                            | -15       | 10,7 | 4,2  | 10,7 | 4,32 | 10,7 | 4,45 | 10,6 | 4,51 | 10,6 | 4,58 | 10,6 | 4,7  |
|   | -11,8                            | -13       | 11,2 | 4,3  | 11,2 | 4,42 | 11,1 | 4,54 | 11,1 | 4,6  | 11,1 | 4,66 | 11,1 | 4,78 |
|   | -9,8                             | -11       | 11,7 | 4,4  | 11,7 | 4,51 | 11,7 | 4,63 | 11,7 | 4,69 | 11,7 | 4,75 | 11,6 | 4,87 |
|   | -9,5                             | -10       | 12   | 4,45 | 12   | 4,57 | 12   | 4,68 | 11,9 | 4,73 | 11,9 | 4,79 | 11,9 | 4,9  |
|   | -8,5                             | -9,1      | 12,2 | 4,5  | 12,2 | 4,61 | 12,2 | 4,72 | 12,2 | 4,77 | 12,2 | 4,83 | 12,1 | 4,88 |
|   | -7                               | -7,6      | 12,7 | 4,57 | 12,7 | 4,68 | 12,6 | 4,79 | 12,6 | 4,84 | 12,6 | 4,89 | 12,1 | 4,65 |
|   | -5                               | -5,6      | 13,4 | 4,67 | 13,3 | 4,77 | 13,3 | 4,87 | 13,3 | 4,92 | 12,9 | 4,77 | 12,1 | 4,38 |
|   | -3                               | -3,7      | 14   | 4,76 | 14   | 4,85 | 13,9 | 4,88 | 13,4 | 4,68 | 12,9 | 4,49 | 12,1 | 4,12 |
|   | 0                                | -0,7      | 15,2 | 4,9  | 14,7 | 4,78 | 13,9 | 4,42 | 13,4 | 4,25 | 12,9 | 4,08 | 12,1 | 3,75 |
|   | 3                                | 2,2       | 15,6 | 4,67 | 14,7 | 4,34 | 13,9 | 4,03 | 13,4 | 3,88 | 12,9 | 3,72 | 12,1 | 3,43 |
|   | 5                                | 4,1       | 15,6 | 4,39 | 14,7 | 4,09 | 13,9 | 3,8  | 13,4 | 3,65 | 12,9 | 3,51 | 12,1 | 3,23 |
|   | 7                                | 6         | 15,6 | 4,12 | 14,7 | 3,85 | 13,9 | 3,58 | 13,4 | 3,44 | 12,9 | 3,31 | 12,1 | 3,06 |
|   | 9                                | 7,9       | 15,6 | 3,89 | 14,7 | 3,62 | 13,9 | 3,37 | 13,4 | 3,25 | 12,9 | 3,13 | 12,1 | 2,89 |
|   | 11                               | 9,8       | 15,6 | 3,66 | 14,7 | 3,42 | 13,9 | 3,19 | 13,4 | 3,07 | 12,9 | 2,96 | 12,1 | 2,73 |
|   | 13                               | 11,8      | 15,6 | 3,44 | 14,7 | 3,22 | 13,9 | 3    | 13,4 | 2,9  | 12,9 | 2,79 | 12,1 | 2,58 |
| 15                                      | 13,7                             | 15,6      | 3,26 | 14,7 | 3,05 | 13,9 | 2,85 | 13,4 | 2,75 | 12,9 | 2,65 | 12,1 | 2,45 |      |
| 80%                                     | -13,7                            | -15       | 10,7 | 4,44 | 10,7 | 4,55 | 10,7 | 4,67 | 10,7 | 4,72 | 10,6 | 4,78 | 10,6 | 4,9  |
|   | -11,8                            | -13       | 11,1 | 4,53 | 11,1 | 4,64 | 11,1 | 4,75 | 11,1 | 4,8  | 11,1 | 4,86 | 10,8 | 4,73 |
|   | -9,8                             | -11       | 11,7 | 4,62 | 11,7 | 4,73 | 11,6 | 4,83 | 11,6 | 4,88 | 11,5 | 4,87 | 10,8 | 4,47 |
|   | -9,5                             | -10       | 12   | 4,67 | 11,9 | 4,77 | 11,9 | 4,87 | 11,9 | 4,92 | 11,5 | 4,73 | 10,8 | 4,33 |
|   | -8,5                             | -9,1      | 12,2 | 4,71 | 11,4 | 4,81 | 12,2 | 4,91 | 11,9 | 4,8  | 11,5 | 4,6  | 10,8 | 4,22 |
|   | -7                               | -7,6      | 12,7 | 4,78 | 12,7 | 4,88 | 12,3 | 4,77 | 11,9 | 4,58 | 11,5 | 4,4  | 10,8 | 4,03 |
|   | -5                               | -5,6      | 13,3 | 4,86 | 13,1 | 4,84 | 12,3 | 4,48 | 11,9 | 4,31 | 11,5 | 4,13 | 10,8 | 3,8  |
|   | -3                               | -3,7      | 13,9 | 4,89 | 13,1 | 4,55 | 12,3 | 4,22 | 11,9 | 4,06 | 11,5 | 3,9  | 10,8 | 3,59 |
|   | 0                                | -0,7      | 13,9 | 4,44 | 13,1 | 4,13 | 12,3 | 3,84 | 11,9 | 3,7  | 11,5 | 3,55 | 10,8 | 3,27 |
|   | 3                                | 2,2       | 13,9 | 4,04 | 13,1 | 3,77 | 12,3 | 3,51 | 11,9 | 3,38 | 11,5 | 3,25 | 10,8 | 3    |
|   | 5                                | 4,1       | 13,9 | 3,81 | 13,1 | 3,56 | 12,3 | 3,31 | 11,9 | 3,19 | 11,5 | 3,07 | 10,8 | 2,83 |
|   | 7                                | 6         | 13,9 | 3,59 | 13,1 | 3,36 | 12,3 | 3,12 | 11,9 | 3,01 | 11,5 | 2,9  | 10,8 | 2,68 |
|   | 9                                | 7,9       | 13,9 | 3,39 | 13,1 | 3,17 | 12,3 | 2,95 | 11,9 | 2,85 | 11,5 | 2,75 | 10,8 | 2,54 |
|   | 11                               | 9,8       | 13,9 | 3,2  | 13,1 | 2,99 | 12,3 | 2,79 | 11,9 | 2,69 | 11,5 | 2,6  | 10,8 | 2,41 |
|   | 13                               | 11,8      | 13,9 | 3,01 | 13,1 | 2,82 | 12,3 | 2,64 | 11,9 | 2,55 | 11,5 | 2,46 | 10,8 | 2,28 |
| 15                                      | 13,7                             | 13,9      | 2,85 | 13,1 | 2,68 | 12,3 | 2,5  | 11,9 | 2,41 | 11,5 | 2,33 | 10,8 | 2,17 |      |

kWt = Heating capacity [kW]  
kWe = Compressor + Fan power input [kW]  
DB=Dry bulb  
WB=Wet bulb



# Performance in Heating

## MSAN-XMi 140M/140T

| Indoor/<br>Outdoor<br>Capacity<br>Ratio | Indoor air temperature D.B. (°C) |           |      |      |      |      |      |      |      |      |      |      |      |      |
|---|----------------------------------|-----------|------|------|------|------|------|------|------|------|------|------|------|------|
|   | Outdoor air temperature (°C)     |           | 16   |      | 18   |      | 20   |      | 21   |      | 22   |      | 24   |      |
|   | D.B. (°C)                        | W.B. (°C) | kWt  | kWe  | kWt  | kWe  | kWt  | kWe  | kWt  | kWe  | kWt  | kWe  | kWt  | kWe  |
| 70%                                     | -13,7                            | -15       | 10,6 | 4,69 | 10,6 | 4,79 | 10,6 | 4,89 | 10,4 | 4,82 | 10   | 4,62 | 9,4  | 4,24 |
|   | -11,8                            | -13       | 11,1 | 4,77 | 11,1 | 4,86 | 10,8 | 4,75 | 10,4 | 4,57 | 10   | 4,38 | 9,4  | 4,02 |
|   | -9,8                             | -11       | 11,6 | 4,85 | 11,5 | 4,84 | 10,8 | 4,49 | 10,4 | 4,31 | 10   | 4,14 | 9,4  | 3,8  |
|   | -9,5                             | -10       | 11,9 | 4,89 | 11,5 | 4,7  | 10,8 | 4,35 | 10,4 | 4,19 | 10   | 4,02 | 9,4  | 3,7  |
|   | -8,5                             | -9,1      | 12,1 | 4,92 | 11,5 | 4,58 | 10,8 | 4,24 | 10,4 | 4,08 | 10   | 3,92 | 9,4  | 3,6  |
|   | -7                               | -7,6      | 12,1 | 4,7  | 11,5 | 4,37 | 10,8 | 4,06 | 10,4 | 3,9  | 10   | 3,75 | 9,4  | 3,45 |
|   | -5                               | -5,6      | 12,1 | 4,41 | 11,5 | 4,11 | 10,8 | 3,82 | 10,4 | 3,67 | 10   | 4,34 | 9,4  | 3,26 |
|   | -3                               | -3,7      | 12,1 | 4,16 | 11,5 | 3,88 | 10,8 | 3,6  | 10,4 | 3,47 | 10   | 3,33 | 9,4  | 3,08 |
|   | 0                                | -0,7      | 12,1 | 3,78 | 11,5 | 3,53 | 10,8 | 3,29 | 10,4 | 3,17 | 10   | 3,05 | 9,4  | 2,82 |
|   | 3                                | 2,2       | 12,1 | 3,46 | 11,5 | 3,23 | 10,8 | 3,01 | 10,4 | 2,9  | 10   | 2,8  | 9,4  | 2,59 |
|   | 5                                | 4,1       | 12,1 | 3,26 | 11,5 | 3,05 | 10,8 | 2,85 | 10,4 | 2,75 | 10   | 2,65 | 9,4  | 2,45 |
|   | 7                                | 6         | 12,1 | 3,08 | 11,5 | 2,89 | 10,8 | 2,69 | 10,4 | 2,6  | 10   | 2,51 | 9,4  | 2,32 |
|   | 9                                | 7,9       | 12,1 | 2,91 | 11,5 | 2,73 | 10,8 | 2,55 | 10,4 | 2,46 | 10   | 2,38 | 9,4  | 2,2  |
|   | 11                               | 9,8       | 12,1 | 2,76 | 11,5 | 2,58 | 10,8 | 2,42 | 10,4 | 2,34 | 10   | 2,26 | 9,4  | 2,09 |
|   | 13                               | 11,8      | 12,1 | 2,6  | 11,5 | 2,45 | 10,8 | 2,29 | 10,4 | 2,21 | 10   | 2,14 | 9,4  | 1,99 |
| 15                                      | 13,7                             | 12,1      | 2,47 | 11,5 | 2,32 | 10,8 | 2,17 | 10,4 | 2,1  | 10   | 2,03 | 9,4  | 1,89 |      |
| 60%                                     | -13,7                            | -15       | 10,4 | 4,82 | 9,8  | 4,48 | 9,2  | 4,15 | 8,9  | 4    | 8,7  | 3,84 | 8,1  | 3,53 |
|   | -11,8                            | -13       | 10,4 | 4,56 | 9,8  | 4,24 | 9,2  | 3,94 | 8,9  | 3,79 | 8,7  | 3,64 | 8,1  | 3,37 |
|   | -9,8                             | -11       | 10,4 | 4,31 | 9,8  | 4,01 | 9,2  | 3,73 | 8,9  | 3,59 | 8,7  | 3,45 | 8,1  | 3,18 |
|   | -9,5                             | -10       | 10,4 | 4,19 | 9,8  | 3,9  | 9,2  | 3,62 | 8,9  | 3,49 | 8,7  | 3,36 | 8,1  | 3,09 |
|   | -8,5                             | -9,1      | 10,4 | 4,08 | 9,8  | 3,8  | 9,2  | 3,53 | 8,9  | 3,4  | 8,7  | 3,27 | 8,1  | 3,02 |
|   | -7                               | -7,6      | 10,4 | 3,9  | 9,8  | 3,64 | 9,2  | 3,38 | 8,9  | 3,26 | 8,7  | 3,13 | 8,1  | 2,9  |
|   | -5                               | -5,6      | 10,4 | 3,67 | 9,8  | 3,43 | 9,2  | 3,19 | 8,9  | 3,08 | 8,7  | 2,96 | 8,1  | 2,74 |
|   | -3                               | -3,7      | 10,4 | 3,47 | 9,8  | 3,24 | 9,2  | 3,02 | 8,9  | 2,91 | 8,7  | 2,8  | 8,1  | 2,59 |
|   | 0                                | -0,7      | 10,4 | 3,17 | 9,8  | 2,97 | 9,2  | 2,77 | 8,9  | 2,67 | 8,7  | 2,57 | 8,1  | 2,38 |
|   | 3                                | 2,2       | 10,4 | 2,9  | 9,8  | 2,72 | 9,2  | 2,55 | 8,9  | 2,46 | 8,7  | 2,37 | 8,1  | 2,2  |
|   | 5                                | 4,1       | 10,4 | 2,75 | 9,8  | 2,58 | 9,2  | 2,41 | 8,9  | 2,33 | 8,7  | 2,25 | 8,1  | 2,09 |
|   | 7                                | 6         | 10,4 | 2,6  | 9,8  | 2,44 | 9,2  | 2,28 | 8,9  | 2,21 | 8,7  | 2,14 | 8,1  | 1,98 |
|   | 9                                | 7,9       | 10,4 | 2,46 | 9,8  | 2,31 | 9,2  | 2,17 | 8,9  | 2,1  | 8,7  | 2,02 | 8,1  | 1,89 |
|   | 11                               | 9,8       | 10,4 | 2,34 | 9,8  | 2,2  | 9,2  | 2,06 | 8,9  | 1,99 | 8,7  | 1,92 | 8,1  | 1,8  |
|   | 13                               | 11,8      | 10,4 | 2,21 | 9,8  | 2,08 | 9,2  | 1,96 | 8,9  | 1,89 | 8,7  | 1,83 | 8,1  | 1,71 |
| 15                                      | 13,7                             | 10,4      | 2,1  | 9,8  | 1,98 | 9,2  | 1,86 | 8,9  | 1,8  | 8,7  | 1,75 | 8,1  | 1,63 |      |
| 50%                                     | -13,7                            | -15       | 8,7  | 3,86 | 8,2  | 3,6  | 7,7  | 3,35 | 7,4  | 3,23 | 7,2  | 3,11 | 6,7  | 2,87 |
|   | -11,8                            | -13       | 8,7  | 3,67 | 8,2  | 3,42 | 7,7  | 3,19 | 7,4  | 3,07 | 7,2  | 2,96 | 6,7  | 2,73 |
|   | -9,8                             | -11       | 8,7  | 3,47 | 8,2  | 3,24 | 7,7  | 3,02 | 7,4  | 2,91 | 7,2  | 2,81 | 6,7  | 2,6  |
|   | -9,5                             | -10       | 8,7  | 3,38 | 8,2  | 3,16 | 7,7  | 2,95 | 7,4  | 2,84 | 7,2  | 2,73 | 6,7  | 2,53 |
|   | -8,5                             | -9,1      | 8,7  | 3,29 | 8,2  | 3,08 | 7,7  | 2,87 | 7,4  | 2,77 | 7,2  | 2,67 | 6,7  | 2,47 |
|   | -7                               | -7,6      | 8,7  | 3,16 | 8,2  | 2,96 | 7,7  | 2,76 | 7,4  | 2,66 | 7,2  | 2,57 | 6,7  | 2,38 |
|   | -5                               | -5,6      | 8,7  | 2,98 | 8,2  | 2,79 | 7,7  | 2,61 | 7,4  | 2,52 | 7,2  | 2,43 | 6,7  | 2,25 |
|   | -3                               | -3,7      | 8,7  | 2,82 | 8,2  | 2,65 | 7,7  | 2,47 | 7,4  | 2,39 | 7,2  | 2,3  | 6,7  | 2,14 |
|   | 0                                | -0,7      | 8,7  | 2,59 | 8,2  | 2,43 | 7,7  | 2,28 | 7,4  | 2,2  | 7,2  | 2,12 | 6,7  | 1,98 |
|   | 3                                | 2,2       | 8,7  | 2,38 | 8,2  | 2,24 | 7,7  | 2,1  | 7,4  | 2,03 | 7,2  | 1,96 | 6,7  | 1,83 |
|   | 5                                | 4,1       | 8,7  | 2,26 | 8,2  | 2,12 | 7,7  | 1,99 | 7,4  | 1,93 | 7,2  | 1,87 | 6,7  | 1,74 |
|   | 7                                | 6         | 8,7  | 2,15 | 8,2  | 2,02 | 7,7  | 1,9  | 7,4  | 1,84 | 7,2  | 1,78 | 6,7  | 1,66 |
|   | 9                                | 7,9       | 8,7  | 2,04 | 8,2  | 1,92 | 7,7  | 1,8  | 7,4  | 1,75 | 7,2  | 1,69 | 6,7  | 1,58 |
|   | 11                               | 9,8       | 8,7  | 1,94 | 8,2  | 1,82 | 7,7  | 1,72 | 7,4  | 1,67 | 7,2  | 1,61 | 6,7  | 1,51 |
|   | 13                               | 11,8      | 8,7  | 1,84 | 8,2  | 1,74 | 7,7  | 1,64 | 7,4  | 1,59 | 7,2  | 1,54 | 6,7  | 1,44 |
| 15                                      | 13,7                             | 8,7       | 1,75 | 8,2  | 1,66 | 7,7  | 1,56 | 7,4  | 1,51 | 7,2  | 1,47 | 6,7  | 1,38 |      |

kWt = Heating capacity [kW]  
 kWe = Compressor + Fan power input [kW]  
 DB=Dry bulb  
 WB=Wet bulb

Notes: It is recommended to have system with Indoor/Outdoor Capacity Ratio less than 130%  
 Avoid running the unit in heating mode when outdoor air temperature is below -20°C  
 The above capacity tables show the average values in operating condition

# Performance in Heating

## MSAN-XMi 160M/160T

| Indoor/<br>Outdoor<br>Capacity<br>Ratio | Indoor air temperature D.B. (°C) |           |      |      |      |      |      |      |      |      |      |      |      |      |
|---|----------------------------------|-----------|------|------|------|------|------|------|------|------|------|------|------|------|
|   | Outdoor air temperature (°C)     |           | 16   |      | 18   |      | 20   |      | 21   |      | 22   |      | 24   |      |
|   | D.B. (°C)                        | W.B. (°C) | kWt  | kWe  | kWt  | kWe  | kWt  | kWe  | kWt  | kWe  | kWt  | kWe  | kWt  | kWe  |
| 130%                                    | -13,7                            | -15       | 12,1 | 3,67 | 12   | 3,88 | 12   | 4,09 | 12   | 4,19 | 11,9 | 4,3  | 11,9 | 4,51 |
|   | -11,8                            | -13       | 12,6 | 3,83 | 12,6 | 4,04 | 12,5 | 4,24 | 12,5 | 4,34 | 12,5 | 4,44 | 12,4 | 4,64 |
|   | -9,8                             | -11       | 13,2 | 4    | 13,1 | 4,19 | 13,1 | 4,39 | 13,1 | 4,48 | 13,1 | 4,58 | 13   | 4,77 |
|   | -9,5                             | -10       | 13,5 | 4,09 | 13,4 | 4,27 | 13,4 | 4,46 | 13,4 | 4,56 | 13,3 | 4,65 | 13,3 | 4,83 |
|   | -8,5                             | -9,1      | 13,8 | 4,16 | 13,7 | 4,34 | 13,7 | 4,53 | 13,7 | 4,62 | 13,7 | 4,71 | 13,6 | 4,89 |
|   | -7                               | -7,6      | 14,2 | 4,28 | 14,2 | 4,46 | 14,2 | 4,63 | 14,2 | 4,72 | 14,1 | 4,81 | 14,1 | 4,99 |
|   | -5                               | -5,6      | 15   | 4,44 | 14,9 | 4,61 | 14,9 | 4,78 | 14,9 | 4,86 | 14,8 | 4,94 | 14,8 | 5,11 |
|   | -3                               | -3,7      | 15,7 | 4,59 | 15,7 | 4,75 | 15,7 | 4,91 | 15,6 | 4,99 | 15,6 | 5,07 | 15,5 | 5,22 |
|   | 0                                | -0,7      | 16,9 | 4,81 | 16,9 | 4,96 | 16,9 | 5,1  | 16,9 | 5,16 | 16,8 | 5,25 | 16,8 | 5,4  |
|   | 3                                | 2,2       | 18,3 | 5,01 | 18,2 | 5,15 | 18,2 | 5,28 | 18,2 | 5,35 | 18,2 | 5,42 | 18,1 | 5,56 |
|   | 5                                | 4,1       | 19,2 | 5,13 | 19,2 | 5,27 | 19,2 | 5,39 | 19,1 | 5,46 | 19,1 | 5,53 | 19,1 | 5,65 |
|   | 7                                | 6         | 20,2 | 5,26 | 20,1 | 5,38 | 20,1 | 5,5  | 20,1 | 5,56 | 20,1 | 5,62 | 19,3 | 5,4  |
|   | 9                                | 7,9       | 21,2 | 5,36 | 21,2 | 5,48 | 21,2 | 5,6  | 21,1 | 5,66 | 20,7 | 5,54 | 19,3 | 5,07 |
|   | 11                               | 9,8       | 22,3 | 5,47 | 22,2 | 5,58 | 22,1 | 5,65 | 21,4 | 5,43 | 20,7 | 5,21 | 19,3 | 4,78 |
|   | 13                               | 11,8      | 23,5 | 5,57 | 23,4 | 5,68 | 22,1 | 5,3  | 21,4 | 5,09 | 20,7 | 4,89 | 19,3 | 4,48 |
| 15                                      | 13,7                             | 24,6      | 5,67 | 23,5 | 5,38 | 22,1 | 4,99 | 21,4 | 4,8  | 20,7 | 4,6  | 19,3 | 4,23 |      |
| 120%                                    | -13,7                            | -15       | 12   | 3,95 | 12   | 4,15 | 11,9 | 4,34 | 11,9 | 4,44 | 11,9 | 4,54 | 11,9 | 4,73 |
|   | -11,8                            | -13       | 12,5 | 4,1  | 12,5 | 4,29 | 12,5 | 4,48 | 12,5 | 4,57 | 12,4 | 4,66 | 12,4 | 4,85 |
|   | -9,8                             | -11       | 13,1 | 4,26 | 13,1 | 4,44 | 13,1 | 4,62 | 13   | 4,71 | 13   | 4,79 | 13   | 4,97 |
|   | -9,5                             | -10       | 13,4 | 4,34 | 13,4 | 4,51 | 13,3 | 4,68 | 13,3 | 4,77 | 13,3 | 4,86 | 13,3 | 5,03 |
|   | -8,5                             | -9,1      | 13,7 | 4,4  | 13,7 | 4,57 | 13,7 | 4,74 | 13,6 | 4,83 | 13,6 | 4,92 | 13,5 | 5,09 |
|   | -7                               | -7,6      | 14,2 | 4,52 | 14,2 | 4,68 | 14,1 | 4,84 | 14,1 | 4,93 | 14,1 | 5,01 | 14,1 | 5,17 |
|   | -5                               | -5,6      | 14,9 | 4,66 | 14,9 | 4,82 | 14,8 | 4,98 | 14,8 | 5,06 | 14,8 | 5,13 | 14,8 | 5,29 |
|   | -3                               | -3,7      | 15,7 | 4,8  | 15,7 | 4,95 | 15,6 | 5,1  | 15,6 | 5,17 | 15,5 | 5,25 | 15,5 | 5,39 |
|   | 0                                | -0,7      | 16,9 | 5,01 | 16,9 | 5,15 | 16,8 | 5,28 | 16,8 | 5,35 | 16,8 | 5,42 | 16,8 | 5,56 |
|   | 3                                | 2,2       | 18,2 | 5,19 | 18,2 | 5,32 | 18,2 | 5,45 | 18,1 | 5,51 | 18,1 | 5,57 | 17,8 | 5,54 |
|   | 5                                | 4,1       | 19,2 | 5,31 | 19,1 | 5,43 | 19,1 | 5,55 | 19,1 | 5,61 | 19,1 | 5,67 | 17,8 | 5,21 |
|   | 7                                | 6         | 20,1 | 5,42 | 20,1 | 5,53 | 20,1 | 5,65 | 19,8 | 5,57 | 19,1 | 5,34 | 17,8 | 4,9  |
|   | 9                                | 7,9       | 21,2 | 5,53 | 21,1 | 5,63 | 20,4 | 5,45 | 19,8 | 5,23 | 19,1 | 5,02 | 17,8 | 4,61 |
|   | 11                               | 9,8       | 22,2 | 5,62 | 21,7 | 5,53 | 20,4 | 5,12 | 19,8 | 4,92 | 19,1 | 4,72 | 17,8 | 4,34 |
|   | 13                               | 11,8      | 23   | 5,57 | 21,7 | 5,18 | 20,4 | 4,8  | 19,8 | 4,62 | 19,1 | 4,44 | 17,8 | 4,09 |
| 15                                      | 13,7                             | 23        | 5,24 | 21,7 | 4,88 | 20,4 | 4,53 | 19,8 | 4,36 | 19,1 | 4,19 | 17,8 | 3,86 |      |
| 110%                                    | -13,7                            | -15       | 12   | 4,24 | 11,9 | 4,42 | 11,9 | 4,59 | 11,9 | 4,68 | 11,9 | 4,77 | 11,8 | 4,95 |
|   | -11,8                            | -13       | 12,5 | 4,38 | 12,5 | 4,55 | 12,4 | 4,72 | 12,4 | 4,8  | 12,4 | 4,89 | 12,4 | 5,06 |
|   | -9,8                             | -11       | 13,1 | 4,52 | 13   | 4,68 | 13   | 4,85 | 13   | 4,93 | 13   | 5,01 | 13   | 5,17 |
|   | -9,5                             | -10       | 13,4 | 4,59 | 13,3 | 4,75 | 13,3 | 4,91 | 13,3 | 4,99 | 13,3 | 5,07 | 13,2 | 5,22 |
|   | -8,5                             | -9,1      | 13,7 | 4,65 | 13,6 | 4,81 | 13,6 | 4,97 | 13,5 | 5,04 | 13,5 | 5,12 | 13,5 | 4,67 |
|   | -7                               | -7,6      | 14,1 | 4,76 | 14,1 | 4,91 | 14,1 | 5,06 | 14,1 | 5,13 | 14,1 | 5,21 | 14   | 5,36 |
|   | -5                               | -5,6      | 14,9 | 4,89 | 14,8 | 5,04 | 14,8 | 5,18 | 14,8 | 5,25 | 14,8 | 5,32 | 14,7 | 5,47 |
|   | -3                               | -3,7      | 15,6 | 5,02 | 15,6 | 5,15 | 15,5 | 5,29 | 15,5 | 5,36 | 15,5 | 5,42 | 15,5 | 5,56 |
|   | 0                                | -0,7      | 16,8 | 5,21 | 16,8 | 5,33 | 16,8 | 5,46 | 16,8 | 5,52 | 16,8 | 5,59 | 16,3 | 5,48 |
|   | 3                                | 2,2       | 18,2 | 5,38 | 18,1 | 5,5  | 18,1 | 5,61 | 18,1 | 5,66 | 17,5 | 5,44 | 16,3 | 4,98 |
|   | 5                                | 4,1       | 19,1 | 5,48 | 19,1 | 5,6  | 18,7 | 5,54 | 18,1 | 5,32 | 17,5 | 5,11 | 16,3 | 4,69 |
|   | 7                                | 6         | 20,1 | 5,59 | 19,9 | 5,62 | 18,7 | 5,21 | 18,1 | 5    | 17,5 | 4,8  | 16,3 | 4,41 |
|   | 9                                | 7,9       | 21,1 | 5,68 | 19,9 | 5,28 | 18,7 | 4,9  | 18,1 | 4,71 | 17,5 | 4,52 | 16,3 | 4,16 |
|   | 11                               | 9,8       | 21,1 | 5,34 | 19,9 | 4,97 | 18,7 | 4,61 | 18,1 | 4,44 | 17,5 | 4,26 | 16,3 | 3,92 |
|   | 13                               | 11,8      | 21,1 | 5,01 | 19,9 | 4,66 | 18,7 | 4,33 | 18,1 | 4,17 | 17,5 | 4,01 | 16,3 | 3,69 |
| 15                                      | 13,7                             | 21,1      | 4,45 | 19,9 | 4,4  | 18,7 | 4,09 | 18,1 | 3,94 | 17,5 | 3,79 | 16,3 | 3,5  |      |

kWt = Heating capacity [kW]  
kWe = Compressor + Fan power input [kW]  
DB=Dry bulb  
WB=Wet bulb

# Performance in Heating

## MSAN-XMi 160M/160T

| Indoor/<br>Outdoor<br>Capacity<br>Ratio | Indoor air temperature D.B. (°C) |           |      |      |      |      |      |      |      |      |      |      |      |      |
|---|----------------------------------|-----------|------|------|------|------|------|------|------|------|------|------|------|------|
|   | Outdoor air temperature (°C)     |           | 16   |      | 18   |      | 20   |      | 21   |      | 22   |      | 24   |      |
|   | D.B. (°C)                        | W.B. (°C) | kWt  | kWe  | kWt  | kWe  | kWt  | kWe  | kWt  | kWe  | kWt  | kWe  | kWt  | kWe  |
| 100%                                    | -13,7                            | -15       | 11,9 | 4,52 | 11,9 | 4,68 | 11,8 | 4,85 | 11,8 | 4,93 | 11,8 | 5,01 | 11,8 | 5,17 |
|   | -11,8                            | -13       | 12,4 | 4,65 | 12,4 | 4,8  | 12,4 | 4,96 | 12,4 | 5,04 | 12,4 | 5,12 | 12,3 | 5,27 |
|   | -9,8                             | -11       | 13   | 4,78 | 13   | 4,93 | 13   | 5,07 | 13   | 5,15 | 12,9 | 5,22 | 12,9 | 5,37 |
|   | -9,5                             | -10       | 13,3 | 4,85 | 13,3 | 4,99 | 13,3 | 5,13 | 13,2 | 5,21 | 13,2 | 5,28 | 13,2 | 5,42 |
|   | -8,5                             | -9,1      | 13,6 | 4,9  | 13,5 | 5,04 | 13,5 | 5,18 | 13,5 | 5,25 | 13,5 | 5,33 | 13,5 | 5,47 |
|   | -7                               | -7,6      | 14,1 | 5    | 14,1 | 5,13 | 14   | 5,27 | 14   | 5,34 | 14   | 5,41 | 14   | 5,54 |
|   | -5                               | -5,6      | 14,8 | 5,12 | 14,8 | 5,25 | 14,8 | 5,38 | 14,7 | 5,44 | 14,7 | 5,51 | 14,7 | 5,64 |
|   | -3                               | -3,7      | 15,5 | 5,24 | 15,5 | 4,75 | 15,5 | 5,48 | 15,5 | 5,54 | 15,5 | 5,6  | 14,8 | 5,37 |
|   | 0                                | -0,7      | 16,8 | 5,41 | 16,8 | 5,52 | 16,7 | 5,63 | 16,5 | 5,54 | 15,9 | 5,32 | 14,8 | 4,87 |
|   | 3                                | 2,2       | 18,1 | 5,56 | 18,1 | 5,66 | 17   | 5,24 | 16,5 | 5,04 | 15,9 | 4,84 | 14,8 | 4,44 |
|   | 5                                | 4,1       | 19,1 | 5,66 | 18,1 | 5,32 | 17   | 4,93 | 16,5 | 4,74 | 15,9 | 4,56 | 14,8 | 4,19 |
|   | 7                                | 6         | 19,2 | 5,37 | 18,1 | 5    | 17   | 4,64 | 16,5 | 4,47 | 15,9 | 4,29 | 14,8 | 3,95 |
|   | 9                                | 7,9       | 19,2 | 5,05 | 18,1 | 4,71 | 17   | 4,37 | 16,5 | 4,15 | 15,9 | 4,04 | 14,8 | 3,72 |
|   | 11                               | 9,8       | 19,2 | 4,75 | 18,1 | 4,43 | 17   | 4,12 | 16,5 | 3,96 | 15,9 | 3,81 | 14,8 | 3,52 |
|   | 13                               | 11,8      | 19,2 | 4,47 | 18,1 | 4,17 | 17   | 3,88 | 16,5 | 3,74 | 15,9 | 3,6  | 14,8 | 3,32 |
| 15                                      | 13,7                             | 19,2      | 4,21 | 18,1 | 3,94 | 17   | 3,66 | 16,5 | 3,53 | 15,9 | 3,4  | 14,8 | 3,15 |      |
| 90%                                     | -13,7                            | -15       | 11,9 | 4,81 | 11,8 | 4,95 | 11,8 | 5,1  | 11,7 | 5,17 | 11,7 | 5,24 | 11,7 | 5,39 |
|   | -11,8                            | -13       | 12,3 | 4,92 | 12,3 | 5,06 | 12,3 | 5,2  | 12,3 | 5,27 | 12,3 | 5,34 | 12,2 | 5,48 |
|   | -9,8                             | -11       | 12,9 | 5,04 | 12,9 | 5,17 | 12,9 | 5,3  | 12,9 | 5,37 | 12,9 | 5,44 | 12,8 | 5,57 |
|   | -9,5                             | -10       | 13,3 | 5,1  | 13,2 | 5,23 | 13,2 | 5,36 | 13,1 | 5,42 | 13,1 | 5,49 | 13,1 | 5,62 |
|   | -8,5                             | -9,1      | 13,5 | 5,15 | 13,5 | 5,28 | 13,5 | 5,41 | 13,5 | 5,47 | 13,5 | 5,53 | 13,3 | 5,59 |
|   | -7                               | -7,6      | 14   | 5,24 | 14   | 5,36 | 14   | 5,48 | 14   | 5,54 | 14   | 5,6  | 13,3 | 5,33 |
|   | -5                               | -5,6      | 14,8 | 5,35 | 14,7 | 5,47 | 14,7 | 5,58 | 14,7 | 5,64 | 14,3 | 5,47 | 13,3 | 5,01 |
|   | -3                               | -3,7      | 15,5 | 5,45 | 15,5 | 5,56 | 15,3 | 5,59 | 14,8 | 5,36 | 14,3 | 5,15 | 13,3 | 4,72 |
|   | 0                                | -0,7      | 16,8 | 5,61 | 16,3 | 5,47 | 15,3 | 5,07 | 14,8 | 4,87 | 14,3 | 4,68 | 13,3 | 4,3  |
|   | 3                                | 2,2       | 17,2 | 5,34 | 16,3 | 4,98 | 15,3 | 4,62 | 14,8 | 4,44 | 14,3 | 4,27 | 13,3 | 3,93 |
|   | 5                                | 4,1       | 17,2 | 5,03 | 16,3 | 4,68 | 15,3 | 4,35 | 14,8 | 4,18 | 14,3 | 4,03 | 13,3 | 3,71 |
|   | 7                                | 6         | 17,2 | 4,72 | 16,3 | 4,41 | 15,3 | 4,1  | 14,8 | 3,95 | 14,3 | 3,8  | 13,3 | 3,5  |
|   | 9                                | 7,9       | 17,2 | 4,45 | 16,3 | 4,15 | 15,3 | 3,86 | 14,8 | 3,72 | 14,3 | 3,59 | 13,3 | 3,31 |
|   | 11                               | 9,8       | 17,2 | 4,19 | 16,3 | 3,92 | 15,3 | 3,65 | 14,8 | 3,52 | 14,3 | 3,39 | 13,3 | 3,13 |
|   | 13                               | 11,8      | 17,2 | 3,95 | 16,3 | 3,69 | 15,3 | 3,44 | 14,8 | 3,32 | 14,3 | 3,2  | 13,3 | 2,96 |
| 15                                      | 13,7                             | 17,2      | 3,73 | 16,3 | 3,49 | 15,3 | 3,26 | 14,8 | 3,15 | 14,3 | 3,03 | 13,3 | 2,81 |      |
| 80%                                     | -13,7                            | -15       | 11,8 | 5,09 | 11,8 | 5,22 | 11,8 | 5,35 | 11,8 | 5,41 | 11,7 | 5,48 | 11,7 | 5,61 |
|   | -11,8                            | -13       | 12,3 | 5,19 | 12,3 | 5,32 | 12,3 | 5,44 | 12,3 | 5,5  | 12,3 | 5,57 | 11,9 | 5,42 |
|   | -9,8                             | -11       | 12,9 | 5,3  | 12,9 | 5,42 | 12,8 | 5,54 | 12,8 | 5,59 | 12,7 | 5,58 | 11,9 | 5,12 |
|   | -9,5                             | -10       | 13,2 | 5,35 | 13,2 | 5,47 | 13,2 | 5,58 | 13,2 | 5,64 | 12,7 | 5,42 | 11,9 | 4,97 |
|   | -8,5                             | -9,1      | 13,5 | 5,4  | 12,5 | 5,51 | 13,4 | 5,62 | 13,2 | 5,5  | 12,7 | 5,27 | 11,9 | 4,83 |
|   | -7                               | -7,6      | 14   | 5,48 | 14   | 5,59 | 13,6 | 5,47 | 13,2 | 5,25 | 12,7 | 5,04 | 11,9 | 4,62 |
|   | -5                               | -5,6      | 14,7 | 5,57 | 14,5 | 5,54 | 13,6 | 5,13 | 13,2 | 4,94 | 12,7 | 4,74 | 11,9 | 4,35 |
|   | -3                               | -3,7      | 15,3 | 5,6  | 14,5 | 5,22 | 13,6 | 4,83 | 13,2 | 4,65 | 12,7 | 4,47 | 11,9 | 4,11 |
|   | 0                                | -0,7      | 15,3 | 5,09 | 14,5 | 4,74 | 13,6 | 4,4  | 13,2 | 4,24 | 12,7 | 4,07 | 11,9 | 3,75 |
|   | 3                                | 2,2       | 15,3 | 4,63 | 14,5 | 4,32 | 13,6 | 4,02 | 13,2 | 3,87 | 12,7 | 3,72 | 11,9 | 3,43 |
|   | 5                                | 4,1       | 15,3 | 4,36 | 14,5 | 4,07 | 13,6 | 3,79 | 13,2 | 3,65 | 12,7 | 3,52 | 11,9 | 3,25 |
|   | 7                                | 6         | 15,3 | 4,11 | 14,5 | 3,84 | 13,6 | 3,58 | 13,2 | 3,45 | 12,7 | 3,33 | 11,9 | 3,07 |
|   | 9                                | 7,9       | 15,3 | 3,88 | 14,5 | 3,63 | 13,6 | 3,38 | 13,2 | 3,26 | 12,7 | 3,15 | 11,9 | 2,91 |
|   | 11                               | 9,8       | 15,3 | 3,66 | 14,5 | 3,43 | 13,6 | 3,2  | 13,2 | 3,09 | 12,7 | 2,98 | 11,9 | 2,76 |
|   | 13                               | 11,8      | 15,3 | 3,45 | 14,5 | 3,24 | 13,6 | 3,02 | 13,2 | 2,92 | 12,7 | 2,81 | 11,9 | 2,61 |
| 15                                      | 13,7                             | 15,3      | 3,27 | 14,5 | 3,07 | 13,6 | 2,87 | 13,2 | 2,77 | 12,7 | 2,67 | 11,9 | 2,48 |      |

kWt = Heating capacity [kW]  
 kWe = Compressor + Fan power input [kW]  
 DB=Dry bulb  
 WB=Wet bulb

# Performance in Heating

## MSAN-XMi 160M/160T

| Indoor/<br>Outdoor<br>Capacity<br>Ratio | Indoor air temperature D.B. (°C) |           |      |      |      |      |      |      |      |      |      |      |      |      |
|---|----------------------------------|-----------|------|------|------|------|------|------|------|------|------|------|------|------|
|   | Outdoor air temperature (°C)     |           | 16   |      | 18   |      | 20   |      | 21   |      | 22   |      | 24   |      |
|   | D.B. (°C)                        | W.B. (°C) | kWt  | kWe  | kWt  | kWe  | kWt  | kWe  | kWt  | kWe  | kWt  | kWe  | kWt  | kWe  |
| 70%                                     | -13,7                            | -15       | 11,7 | 5,37 | 11,7 | 5,49 | 11,7 | 5,6  | 11,5 | 5,52 | 11,1 | 5,3  | 10,3 | 4,86 |
|   | -11,8                            | -13       | 12,2 | 5,47 | 12,2 | 5,57 | 11,9 | 5,44 | 11,5 | 5,23 | 11,1 | 5,02 | 10,3 | 4,6  |
|   | -9,8                             | -11       | 12,8 | 5,56 | 12,7 | 5,55 | 11,9 | 5,14 | 11,5 | 4,94 | 11,1 | 4,74 | 10,3 | 4,36 |
|   | -9,5                             | -10       | 13,1 | 5,6  | 12,7 | 5,39 | 11,9 | 4,99 | 11,5 | 4,8  | 11,1 | 4,61 | 10,3 | 4,24 |
|   | -8,5                             | -9,1      | 13,4 | 5,63 | 12,7 | 5,24 | 11,9 | 4,86 | 11,5 | 4,67 | 11,1 | 4,49 | 10,3 | 4,13 |
|   | -7                               | -7,6      | 13,4 | 5,38 | 12,7 | 5,01 | 11,9 | 4,65 | 11,5 | 4,47 | 11,1 | 4,3  | 10,3 | 3,95 |
|   | -5                               | -5,6      | 13,4 | 5,06 | 12,7 | 4,71 | 11,9 | 4,37 | 11,5 | 4,21 | 11,1 | 4,97 | 10,3 | 3,73 |
|   | -3                               | -3,7      | 13,4 | 4,76 | 12,7 | 4,44 | 11,9 | 4,13 | 11,5 | 3,97 | 11,1 | 3,82 | 10,3 | 3,53 |
|   | 0                                | -0,7      | 13,4 | 4,33 | 12,7 | 4,05 | 11,9 | 3,77 | 11,5 | 3,63 | 11,1 | 3,49 | 10,3 | 3,23 |
|   | 3                                | 2,2       | 13,4 | 3,96 | 12,7 | 3,71 | 11,9 | 3,45 | 11,5 | 3,33 | 11,1 | 3,21 | 10,3 | 2,96 |
|   | 5                                | 4,1       | 13,4 | 3,74 | 12,7 | 3,49 | 11,9 | 3,27 | 11,5 | 3,15 | 11,1 | 3,03 | 10,3 | 2,81 |
|   | 7                                | 6         | 13,4 | 3,53 | 12,7 | 3,31 | 11,9 | 3,09 | 11,5 | 2,98 | 11,1 | 2,87 | 10,3 | 2,66 |
|   | 9                                | 7,9       | 13,4 | 3,34 | 12,7 | 3,13 | 11,9 | 2,92 | 11,5 | 2,82 | 11,1 | 2,72 | 10,3 | 2,52 |
|   | 11                               | 9,8       | 13,4 | 3,16 | 12,7 | 2,96 | 11,9 | 2,77 | 11,5 | 2,68 | 11,1 | 2,59 | 10,3 | 2,4  |
|   | 13                               | 11,8      | 13,4 | 2,98 | 12,7 | 2,8  | 11,9 | 2,62 | 11,5 | 2,54 | 11,1 | 2,45 | 10,3 | 2,28 |
| 15                                      | 13,7                             | 13,4      | 2,83 | 12,7 | 2,66 | 11,9 | 2,49 | 11,5 | 2,41 | 11,1 | 2,33 | 10,3 | 2,17 |      |
| 60%                                     | -13,7                            | -15       | 11,5 | 5,52 | 10,8 | 5,13 | 10,2 | 4,76 | 9,9  | 4,58 | 9,6  | 4,4  | 8,9  | 4,04 |
|   | -11,8                            | -13       | 11,5 | 5,22 | 10,8 | 4,86 | 10,2 | 4,51 | 9,9  | 4,34 | 9,6  | 4,18 | 8,9  | 3,86 |
|   | -9,8                             | -11       | 11,5 | 4,93 | 10,8 | 4,6  | 10,2 | 4,27 | 9,9  | 4,11 | 9,6  | 3,95 | 8,9  | 3,65 |
|   | -9,5                             | -10       | 11,5 | 4,8  | 10,8 | 4,47 | 10,2 | 4,15 | 9,9  | 4    | 9,6  | 3,84 | 8,9  | 3,54 |
|   | -8,5                             | -9,1      | 11,5 | 4,67 | 10,8 | 4,36 | 10,2 | 4,05 | 9,9  | 3,9  | 9,6  | 3,75 | 8,9  | 3,46 |
|   | -7                               | -7,6      | 11,5 | 4,47 | 10,8 | 4,17 | 10,2 | 3,87 | 9,9  | 3,74 | 9,6  | 3,59 | 8,9  | 3,32 |
|   | -5                               | -5,6      | 11,5 | 4,21 | 10,8 | 3,93 | 10,2 | 3,66 | 9,9  | 3,52 | 9,6  | 3,39 | 8,9  | 3,14 |
|   | -3                               | -3,7      | 11,5 | 3,97 | 10,8 | 3,71 | 10,2 | 3,46 | 9,9  | 3,34 | 9,6  | 3,21 | 8,9  | 2,97 |
|   | 0                                | -0,7      | 11,5 | 3,63 | 10,8 | 3,4  | 10,2 | 3,17 | 9,9  | 3,06 | 9,6  | 2,95 | 8,9  | 2,73 |
|   | 3                                | 2,2       | 11,5 | 3,33 | 10,8 | 3,12 | 10,2 | 2,92 | 9,9  | 2,81 | 9,6  | 2,72 | 8,9  | 2,52 |
|   | 5                                | 4,1       | 11,5 | 3,15 | 10,8 | 2,95 | 10,2 | 2,76 | 9,9  | 2,67 | 9,6  | 2,57 | 8,9  | 2,39 |
|   | 7                                | 6         | 11,5 | 2,98 | 10,8 | 2,8  | 10,2 | 2,62 | 9,9  | 2,53 | 9,6  | 2,45 | 8,9  | 2,27 |
|   | 9                                | 7,9       | 11,5 | 2,82 | 10,8 | 2,65 | 10,2 | 2,48 | 9,9  | 2,4  | 9,6  | 2,32 | 8,9  | 2,16 |
|   | 11                               | 9,8       | 11,5 | 2,68 | 10,8 | 2,52 | 10,2 | 2,36 | 9,9  | 2,28 | 9,6  | 2,21 | 8,9  | 2,06 |
|   | 13                               | 11,8      | 11,5 | 2,53 | 10,8 | 2,39 | 10,2 | 2,24 | 9,9  | 2,17 | 9,6  | 2,1  | 8,9  | 1,96 |
| 15                                      | 13,7                             | 11,5      | 2,41 | 10,8 | 2,27 | 10,2 | 2,13 | 9,9  | 2,07 | 9,6  | 2    | 8,9  | 1,87 |      |
| 50%                                     | -13,7                            | -15       | 9,6  | 4,42 | 9    | 4,13 | 8,5  | 3,84 | 8,2  | 3,7  | 7,9  | 3,56 | 7,4  | 3,29 |
|   | -11,8                            | -13       | 9,6  | 4,2  | 9    | 3,92 | 8,5  | 3,65 | 8,2  | 3,52 | 7,9  | 3,39 | 7,4  | 3,13 |
|   | -9,8                             | -11       | 9,6  | 3,98 | 9    | 3,72 | 8,5  | 3,46 | 8,2  | 3,34 | 7,9  | 3,22 | 7,4  | 2,98 |
|   | -9,5                             | -10       | 9,6  | 3,87 | 9    | 3,62 | 8,5  | 3,37 | 8,2  | 3,25 | 7,9  | 3,13 | 7,4  | 2,9  |
|   | -8,5                             | -9,1      | 9,6  | 3,77 | 9    | 3,53 | 8,5  | 3,29 | 8,2  | 3,18 | 7,9  | 3,06 | 7,4  | 2,83 |
|   | -7                               | -7,6      | 9,6  | 3,62 | 9    | 3,39 | 8,5  | 3,16 | 8,2  | 3,05 | 7,9  | 2,94 | 7,4  | 2,72 |
|   | -5                               | -5,6      | 9,6  | 3,41 | 9    | 3,2  | 8,5  | 2,99 | 8,2  | 2,89 | 7,9  | 2,78 | 7,4  | 2,58 |
|   | -3                               | -3,7      | 9,6  | 3,23 | 9    | 3,03 | 8,5  | 2,83 | 8,2  | 2,74 | 7,9  | 2,64 | 7,4  | 2,45 |
|   | 0                                | -0,7      | 9,6  | 2,96 | 9    | 2,78 | 8,5  | 2,61 | 8,2  | 2,52 | 7,9  | 2,43 | 7,4  | 2,27 |
|   | 3                                | 2,2       | 9,6  | 2,73 | 9    | 2,57 | 8,5  | 2,4  | 8,2  | 2,33 | 7,9  | 2,25 | 7,4  | 2,1  |
|   | 5                                | 4,1       | 9,6  | 2,59 | 9    | 2,43 | 8,5  | 2,28 | 8,2  | 2,21 | 7,9  | 2,14 | 7,4  | 1,99 |
|   | 7                                | 6         | 9,6  | 2,46 | 9    | 2,31 | 8,5  | 2,18 | 8,2  | 2,1  | 7,9  | 2,04 | 7,4  | 1,9  |
|   | 9                                | 7,9       | 9,6  | 2,33 | 9    | 2,2  | 8,5  | 2,07 | 8,2  | 2,01 | 7,9  | 1,94 | 7,4  | 1,81 |
|   | 11                               | 9,8       | 9,6  | 2,22 | 9    | 2,09 | 8,5  | 1,97 | 8,2  | 1,91 | 7,9  | 1,85 | 7,4  | 1,73 |
|   | 13                               | 11,8      | 9,6  | 2,11 | 9    | 1,99 | 8,5  | 1,87 | 8,2  | 1,82 | 7,9  | 1,76 | 7,4  | 1,65 |
| 15                                      | 13,7                             | 9,6       | 2,01 | 9    | 1,9  | 8,5  | 1,79 | 8,2  | 1,74 | 7,9  | 1,68 | 7,4  | 1,58 |      |

kWt = Heating capacity [kW]  
 kWe = Compressor + Fan power input [kW]  
 DB=Dry bulb  
 WB=Wet bulb

Notes: It is recommended to have system with Indoor/Outdoor Capacity Ratio less than 130%  
 Avoid running the unit in heating mode when outdoor air temperature is below -20°C  
 The above capacity tables show the average values in operating condition

# Performance in Heating

## MSAN-XMi 180T

| Indoor/<br>Outdoor<br>Capacity<br>Ratio | Indoor air temperature D.B. (°C) |           |       |       |       |       |       |       |       |       |       |       |       |      |
|---|----------------------------------|-----------|-------|-------|-------|-------|-------|-------|-------|-------|-------|-------|-------|------|
|   | Outdoor air temperature (°C)     |           | 16    |       | 18    |       | 20    |       | 21    |       | 22    |       | 24    |      |
|   | D.B. (°C)                        | W.B. (°C) | kWt   | kWe   | kWt   | kWe   | kWt   | kWe   | kWt   | kWe   | kWt   | kWe   | kWt   | kWe  |
| 130%                                    | -13,7                            | -15       | 13,51 | 3,95  | 13,45 | 4,18  | 13,39 | 4,41  | 13,39 | 4,52  | 13,33 | 4,64  | 13,33 | 4,86 |
|   | -11,8                            | -13       | 14,05 | 4,13  | 14,05 | 4,35  | 13,99 | 4,56  | 13,93 | 4,68  | 13,93 | 4,79  | 13,87 | 5    |
|   | -9,8                             | -11       | 14,72 | 4,31  | 14,66 | 4,52  | 14,6  | 4,73  | 14,6  | 4,83  | 14,6  | 4,93  | 14,54 | 5,14 |
|   | -9,5                             | -10       | 15,08 | 4,4   | 15,02 | 4,6   | 14,96 | 4,81  | 14,96 | 4,91  | 14,9  | 5,01  | 14,9  | 5,21 |
|   | -8,5                             | -9,1      | 15,38 | 4,48  | 15,32 | 4,68  | 15,32 | 4,88  | 15,26 | 4,97  | 15,26 | 5,07  | 15,2  | 5,27 |
|   | -7                               | -7,6      | 15,92 | 4,61  | 15,92 | 4,81  | 15,86 | 4,99  | 15,86 | 5,09  | 15,8  | 5,18  | 15,74 | 5,38 |
|   | -5                               | -5,6      | 16,77 | 4,79  | 16,71 | 4,97  | 16,65 | 5,15  | 16,65 | 5,24  | 16,59 | 5,32  | 16,59 | 5,51 |
|   | -3                               | -3,7      | 17,55 | 4,94  | 17,49 | 5,12  | 17,49 | 5,29  | 17,43 | 5,38  | 17,43 | 5,46  | 17,37 | 5,63 |
|   | 0                                | -0,7      | 18,94 | 5,18  | 18,94 | 5,34  | 18,88 | 5,5   | 18,88 | 5,56  | 18,82 | 5,66  | 18,82 | 5,82 |
|   | 3                                | 2,2       | 20,45 | 5,4   | 20,39 | 5,55  | 20,33 | 5,69  | 20,33 | 5,77  | 20,33 | 5,84  | 20,27 | 5,99 |
|   | 5                                | 4,1       | 21,47 | 5,53  | 21,41 | 5,68  | 21,41 | 5,81  | 21,35 | 5,88  | 21,35 | 5,95  | 21,29 | 6,09 |
|   | 7                                | 6         | 22,56 | 5,66  | 22,5  | 5,79  | 22,5  | 5,93  | 22,44 | 5,99  | 22,44 | 6,06  | 21,53 | 5,82 |
|   | 9                                | 7,9       | 23,7  | 5,78  | 23,64 | 5,91  | 23,64 | 6,03  | 23,58 | 6,1   | 23,1  | 5,97  | 21,53 | 5,47 |
|   | 11                               | 9,8       | 24,91 | 5,9   | 24,85 | 6,01  | 24,73 | 6,09  | 23,89 | 5,85  | 23,1  | 5,61  | 21,53 | 5,15 |
|   | 13                               | 11,8      | 26,24 | 6,01  | 26,18 | 6,12  | 24,73 | 5,71  | 23,89 | 5,48  | 23,1  | 5,27  | 21,53 | 4,83 |
| 15                                      | 13,7                             | 27,5      | 6,11  | 26,3  | 5,8   | 24,73 | 5,38  | 23,89 | 5,17  | 23,1  | 4,96  | 21,53 | 4,56  |      |
| 120%                                    | -13,7                            | -15       | 13,45 | 4,26  | 13,39 | 4,47  | 13,33 | 4,68  | 13,33 | 4,79  | 13,33 | 4,89  | 13,27 | 5,1  |
|   | -11,8                            | -13       | 14    | 4,42  | 14    | 4,62  | 13,93 | 4,83  | 13,93 | 4,93  | 13,87 | 5,03  | 13,87 | 5,23 |
|   | -9,8                             | -11       | 14,66 | 4,59  | 14,6  | 4,78  | 14,6  | 4,97  | 14,54 | 5,07  | 14,54 | 5,16  | 14,48 | 5,36 |
|   | -9,5                             | -10       | 15,02 | 4,68  | 14,96 | 4,86  | 14,9  | 5,05  | 14,9  | 5,14  | 14,9  | 5,23  | 14,84 | 5,42 |
|   | -8,5                             | -9,1      | 15,32 | 4,75  | 15,26 | 4,93  | 15,26 | 5,11  | 15,2  | 5,2   | 15,2  | 5,3   | 15,14 | 5,48 |
|   | -7                               | -7,6      | 15,86 | 4,87  | 15,86 | 5,05  | 15,8  | 5,22  | 15,8  | 5,31  | 15,74 | 5,4   | 15,74 | 5,57 |
|   | -5                               | -5,6      | 16,71 | 5,03  | 16,65 | 5,19  | 16,59 | 5,36  | 16,59 | 5,45  | 16,59 | 5,53  | 16,53 | 5,7  |
|   | -3                               | -3,7      | 17,49 | 5,18  | 17,49 | 5,34  | 17,43 | 5,49  | 17,43 | 5,57  | 17,37 | 5,66  | 17,37 | 5,81 |
|   | 0                                | -0,7      | 18,88 | 5,4   | 18,88 | 5,55  | 18,82 | 5,69  | 18,82 | 5,77  | 18,76 | 5,84  | 18,76 | 5,99 |
|   | 3                                | 2,2       | 20,39 | 5,6   | 20,33 | 5,73  | 20,33 | 5,87  | 20,27 | 5,94  | 20,27 | 6,01  | 19,85 | 5,97 |
|   | 5                                | 4,1       | 21,41 | 5,72  | 21,35 | 5,85  | 21,35 | 5,98  | 21,29 | 6,05  | 21,29 | 6,11  | 19,85 | 5,61 |
|   | 7                                | 6         | 22,5  | 5,84  | 22,5  | 5,96  | 22,44 | 6,08  | 22,08 | 6     | 21,35 | 5,75  | 19,85 | 5,28 |
|   | 9                                | 7,9       | 23,65 | 5,95  | 23,59 | 6,07  | 22,8  | 5,87  | 22,08 | 5,64  | 21,35 | 5,41  | 19,85 | 4,97 |
|   | 11                               | 9,8       | 24,85 | 6,06  | 24,25 | 5,95  | 22,8  | 5,52  | 22,08 | 5,31  | 21,35 | 5,09  | 19,85 | 4,68 |
|   | 13                               | 11,8      | 25,76 | 6     | 24,25 | 5,58  | 22,8  | 5,18  | 22,08 | 4,98  | 21,35 | 4,79  | 19,85 | 4,4  |
| 15                                      | 13,7                             | 25,76     | 5,65  | 24,25 | 5,26  | 22,8  | 4,88  | 22,08 | 4,69  | 21,35 | 4,51  | 19,85 | 4,16  |      |
| 110%                                    | -13,7                            | -15       | 13,39 | 4,57  | 13,33 | 4,76  | 13,27 | 4,95  | 13,27 | 5,05  | 13,27 | 5,14  | 13,21 | 5,33 |
|   | -11,8                            | -13       | 13,93 | 4,72  | 13,93 | 4,9   | 13,87 | 5,08  | 13,87 | 5,18  | 13,81 | 5,27  | 13,81 | 5,45 |
|   | -9,8                             | -11       | 14,6  | 4,87  | 14,54 | 5,05  | 14,54 | 5,22  | 14,48 | 5,31  | 14,48 | 5,4   | 14,48 | 5,57 |
|   | -9,5                             | -10       | 14,96 | 4,95  | 14,9  | 5,12  | 14,84 | 5,29  | 14,84 | 5,38  | 14,84 | 5,46  | 14,78 | 5,63 |
|   | -8,5                             | -9,1      | 15,26 | 5,01  | 15,2  | 5,18  | 15,2  | 5,35  | 15,14 | 5,44  | 15,14 | 5,52  | 15,14 | 5,63 |
|   | -7                               | -7,6      | 15,8  | 5,13  | 15,8  | 5,29  | 15,74 | 5,45  | 15,74 | 5,53  | 15,74 | 5,61  | 15,68 | 5,77 |
|   | -5                               | -5,6      | 16,65 | 5,27  | 16,59 | 5,43  | 16,53 | 5,58  | 16,53 | 5,66  | 16,53 | 5,73  | 16,47 | 5,89 |
|   | -3                               | -3,7      | 17,43 | 5,41  | 17,43 | 5,55  | 17,37 | 5,7   | 17,37 | 5,77  | 17,31 | 5,84  | 17,31 | 5,99 |
|   | 0                                | -0,7      | 18,82 | 5,61  | 18,82 | 5,75  | 18,76 | 5,88  | 18,76 | 5,95  | 18,76 | 6,02  | 18,22 | 5,9  |
|   | 3                                | 2,2       | 20,33 | 5,8   | 20,27 | 5,92  | 20,27 | 6,05  | 20,21 | 6,1   | 19,54 | 5,86  | 18,22 | 5,37 |
|   | 5                                | 4,1       | 21,35 | 5,91  | 21,35 | 6,03  | 20,93 | 5,97  | 20,21 | 5,73  | 19,54 | 5,51  | 18,22 | 5,05 |
|   | 7                                | 6         | 22,44 | 6,02  | 22,26 | 6,06  | 20,93 | 5,61  | 20,21 | 5,39  | 19,54 | 5,18  | 18,22 | 4,75 |
|   | 9                                | 7,9       | 23,58 | 6,12  | 22,26 | 5,69  | 20,93 | 5,28  | 20,21 | 5,07  | 19,54 | 4,87  | 18,22 | 4,48 |
|   | 11                               | 9,8       | 23,58 | 5,75  | 22,26 | 5,36  | 20,93 | 4,97  | 20,21 | 4,78  | 19,54 | 4,59  | 18,22 | 4,23 |
|   | 13                               | 11,8      | 23,58 | 5,4   | 22,26 | 5,03  | 20,93 | 4,67  | 20,21 | 4,49  | 19,54 | 4,32  | 18,22 | 3,98 |
| 15                                      | 13,7                             | 23,58     | 4,79  | 22,26 | 4,74  | 20,93 | 4,41  | 20,21 | 4,24  | 19,54 | 4,08  | 18,22 | 3,77  |      |

kWt = Heating capacity [kW]  
 kWe = Compressor + Fan power input [kW]  
 DB=Dry bulb  
 WB=Wet bulb

# Performance in Heating

## MSAN-XMi 180T

| Indoor/<br>Outdoor<br>Capacity<br>Ratio | Indoor air temperature D.B. (°C) |           |       |       |       |      |       |       |       |       |       |       |       |      |
|---|----------------------------------|-----------|-------|-------|-------|------|-------|-------|-------|-------|-------|-------|-------|------|
|   | Outdoor air temperature (°C)     |           | 16    |       | 18    |      | 20    |       | 21    |       | 22    |       | 24    |      |
|   | D.B. (°C)                        | W.B. (°C) | kWt   | kWe   | kWt   | kWe  | kWt   | kWe   | kWt   | kWe   | kWt   | kWe   | kWt   | kWe  |
| 100%                                    | -13,7                            | -15       | 13,33 | 4,87  | 13,27 | 5,05 | 13,21 | 5,22  | 13,21 | 5,31  | 13,21 | 5,4   | 13,15 | 5,57 |
|   | -11,8                            | -13       | 13,87 | 5,01  | 13,87 | 5,18 | 13,81 | 5,34  | 13,81 | 5,43  | 13,81 | 5,51  | 13,75 | 5,68 |
|   | -9,8                             | -11       | 14,54 | 5,15  | 14,48 | 5,31 | 14,48 | 5,47  | 14,48 | 5,55  | 14,42 | 5,63  | 14,42 | 5,79 |
|   | -9,5                             | -10       | 14,9  | 5,22  | 14,84 | 5,38 | 14,84 | 5,53  | 14,78 | 5,61  | 14,78 | 5,69  | 14,72 | 5,84 |
|   | -8,5                             | -9,1      | 15,2  | 5,28  | 15,14 | 5,44 | 15,14 | 5,58  | 15,14 | 5,66  | 15,08 | 5,74  | 15,08 | 5,89 |
|   | -7                               | -7,6      | 15,74 | 5,38  | 15,74 | 5,53 | 15,68 | 5,68  | 15,68 | 5,75  | 15,68 | 5,82  | 15,62 | 5,97 |
|   | -5                               | -5,6      | 16,59 | 5,52  | 16,53 | 5,66 | 16,53 | 5,8   | 16,47 | 5,86  | 16,47 | 5,94  | 16,41 | 6,08 |
|   | -3                               | -3,7      | 17,37 | 5,64  | 17,37 | 5,12 | 17,31 | 5,91  | 17,31 | 5,97  | 17,31 | 6,04  | 16,59 | 5,79 |
|   | 0                                | -0,7      | 18,76 | 5,82  | 18,76 | 5,95 | 18,7  | 6,07  | 18,4  | 5,97  | 17,79 | 5,73  | 16,59 | 5,25 |
|   | 3                                | 2,2       | 20,27 | 5,99  | 20,21 | 6,1  | 19    | 5,65  | 18,4  | 5,43  | 17,79 | 5,21  | 16,59 | 4,79 |
|   | 5                                | 4,1       | 21,29 | 6,1   | 20,21 | 5,73 | 19    | 5,31  | 18,4  | 5,11  | 17,79 | 4,91  | 16,59 | 4,51 |
|   | 7                                | 6         | 21,41 | 5,79  | 20,21 | 5,39 | 19    | 5     | 18,4  | 4,81  | 17,79 | 4,62  | 16,59 | 4,25 |
|   | 9                                | 7,9       | 21,41 | 5,44  | 20,21 | 5,07 | 19    | 4,71  | 18,4  | 4,47  | 17,79 | 4,36  | 16,59 | 4,01 |
|   | 11                               | 9,8       | 21,41 | 5,12  | 20,21 | 4,78 | 19    | 4,44  | 18,4  | 4,27  | 17,79 | 4,11  | 16,59 | 3,79 |
|   | 13                               | 11,8      | 21,41 | 4,81  | 20,21 | 4,49 | 19    | 4,18  | 18,4  | 4,03  | 17,79 | 3,88  | 16,59 | 3,58 |
| 15                                      | 13,7                             | 21,41     | 4,54  | 20,21 | 4,24  | 19   | 3,95  | 18,4  | 3,81  | 17,79 | 3,66  | 16,59 | 3,39  |      |
| 90%                                     | -13,7                            | -15       | 13,25 | 5,18  | 13,19 | 5,34 | 13,19 | 5,49  | 13,13 | 5,57  | 13,13 | 5,65  | 13,13 | 5,81 |
|   | -11,8                            | -13       | 13,79 | 5,31  | 13,79 | 5,45 | 13,73 | 5,6   | 13,73 | 5,68  | 13,73 | 5,75  | 13,67 | 5,9  |
|   | -9,8                             | -11       | 14,45 | 5,43  | 14,45 | 5,57 | 14,39 | 5,71  | 14,39 | 5,79  | 14,39 | 5,86  | 14,33 | 6,01 |
|   | -9,5                             | -10       | 14,81 | 5,49  | 14,75 | 5,64 | 14,75 | 5,77  | 14,69 | 5,84  | 14,69 | 5,92  | 14,69 | 6,05 |
|   | -8,5                             | -9,1      | 15,11 | 5,55  | 15,11 | 5,69 | 15,05 | 5,82  | 15,05 | 5,89  | 15,05 | 5,96  | 14,87 | 6,02 |
|   | -7                               | -7,6      | 15,66 | 5,64  | 15,66 | 5,77 | 15,6  | 5,91  | 15,6  | 5,97  | 15,6  | 6,04  | 14,87 | 5,75 |
|   | -5                               | -5,6      | 16,5  | 5,77  | 16,44 | 5,89 | 16,44 | 6,01  | 16,38 | 6,08  | 15,96 | 5,89  | 14,87 | 5,4  |
|   | -3                               | -3,7      | 17,28 | 5,88  | 17,28 | 5,99 | 17,1  | 6,02  | 16,5  | 5,78  | 15,96 | 5,55  | 14,87 | 5,09 |
|   | 0                                | -0,7      | 18,73 | 6,05  | 18,18 | 5,9  | 17,1  | 5,46  | 16,5  | 5,25  | 15,96 | 5,04  | 14,87 | 4,63 |
|   | 3                                | 2,2       | 19,27 | 5,76  | 18,18 | 5,36 | 17,1  | 4,97  | 16,5  | 4,79  | 15,96 | 4,6   | 14,87 | 4,23 |
|   | 5                                | 4,1       | 19,27 | 5,42  | 18,18 | 5,05 | 17,1  | 4,69  | 16,5  | 4,51  | 15,96 | 4,34  | 14,87 | 3,99 |
|   | 7                                | 6         | 19,27 | 5,09  | 18,18 | 4,75 | 17,1  | 4,42  | 16,5  | 4,25  | 15,96 | 4,09  | 14,87 | 3,77 |
|   | 9                                | 7,9       | 19,27 | 4,8   | 18,18 | 4,47 | 17,1  | 4,16  | 16,5  | 4,01  | 15,96 | 3,86  | 14,87 | 3,57 |
|   | 11                               | 9,8       | 19,27 | 4,52  | 18,18 | 4,22 | 17,1  | 3,94  | 16,5  | 3,79  | 15,96 | 3,65  | 14,87 | 3,38 |
|   | 13                               | 11,8      | 19,27 | 4,25  | 18,18 | 3,98 | 17,1  | 3,71  | 16,5  | 3,58  | 15,96 | 3,45  | 14,87 | 3,19 |
| 15                                      | 13,7                             | 19,27     | 4,02  | 18,18 | 3,76  | 17,1 | 3,51  | 16,5  | 3,39  | 15,96 | 3,27  | 14,87 | 3,03  |      |
| 80%                                     | -13,7                            | -15       | 13,21 | 5,49  | 13,15 | 5,62 | 13,15 | 5,77  | 13,15 | 5,83  | 13,09 | 5,9   | 13,09 | 6,05 |
|   | -11,8                            | -13       | 13,75 | 5,6   | 13,75 | 5,73 | 13,69 | 5,86  | 13,69 | 5,93  | 13,69 | 6     | 13,27 | 5,84 |
|   | -9,8                             | -11       | 14,42 | 5,71  | 14,42 | 5,84 | 14,35 | 5,97  | 14,35 | 6,03  | 14,23 | 6,01  | 13,27 | 5,51 |
|   | -9,5                             | -10       | 14,78 | 5,77  | 14,72 | 5,89 | 14,72 | 6,01  | 14,72 | 6,08  | 14,23 | 5,84  | 13,27 | 5,35 |
|   | -8,5                             | -9,1      | 15,08 | 5,82  | 14,02 | 5,94 | 15,02 | 6,06  | 14,72 | 5,92  | 14,23 | 5,68  | 13,27 | 5,21 |
|   | -7                               | -7,6      | 15,62 | 5,9   | 15,62 | 6,02 | 15,2  | 5,89  | 14,72 | 5,66  | 14,23 | 5,43  | 13,27 | 4,98 |
|   | -5                               | -5,6      | 16,47 | 6,01  | 16,17 | 5,97 | 15,2  | 5,53  | 14,72 | 5,32  | 14,23 | 5,1   | 13,27 | 4,69 |
|   | -3                               | -3,7      | 17,13 | 6,04  | 16,17 | 5,62 | 15,2  | 5,21  | 14,72 | 5,01  | 14,23 | 4,81  | 13,27 | 4,43 |
|   | 0                                | -0,7      | 17,13 | 5,48  | 16,17 | 5,1  | 15,2  | 4,74  | 14,72 | 4,56  | 14,23 | 4,38  | 13,27 | 4,04 |
|   | 3                                | 2,2       | 17,13 | 4,99  | 16,17 | 4,66 | 15,2  | 4,33  | 14,72 | 4,17  | 14,23 | 4,01  | 13,27 | 3,7  |
|   | 5                                | 4,1       | 17,13 | 4,7   | 16,17 | 4,39 | 15,2  | 4,08  | 14,72 | 3,93  | 14,23 | 3,79  | 13,27 | 3,5  |
|   | 7                                | 6         | 17,13 | 4,43  | 16,17 | 4,14 | 15,2  | 3,86  | 14,72 | 3,72  | 14,23 | 3,58  | 13,27 | 3,31 |
|   | 9                                | 7,9       | 17,13 | 4,18  | 16,17 | 3,91 | 15,2  | 3,64  | 14,72 | 3,51  | 14,23 | 3,39  | 13,27 | 3,14 |
|   | 11                               | 9,8       | 17,13 | 3,95  | 16,17 | 3,69 | 15,2  | 3,45  | 14,72 | 3,32  | 14,23 | 3,21  | 13,27 | 2,97 |
|   | 13                               | 11,8      | 17,13 | 3,72  | 16,17 | 3,49 | 15,2  | 3,26  | 14,72 | 3,14  | 14,23 | 3,03  | 13,27 | 2,81 |
| 15                                      | 13,7                             | 17,13     | 3,52  | 16,17 | 3,31  | 15,2 | 3,09  | 14,72 | 2,98  | 14,23 | 2,88  | 13,27 | 2,68  |      |

kWt = Heating capacity [kW]  
 kWe = Compressor + Fan power input [kW]  
 DB=Dry bulb  
 WB=Wet bulb

# Performance in Heating

## MSAN-XMi 180T

| Indoor/<br>Outdoor<br>Capacity<br>Ratio | Indoor air temperature D.B. (°C) |           |       |       |       |      |       |       |       |       |       |       |       |      |
|---|----------------------------------|-----------|-------|-------|-------|------|-------|-------|-------|-------|-------|-------|-------|------|
|   | Outdoor air temperature (°C)     |           | 16    |       | 18    |      | 20    |       | 21    |       | 22    |       | 24    |      |
|   | D.B. (°C)                        | W.B. (°C) | kWt   | kWe   | kWt   | kWe  | kWt   | kWe   | kWt   | kWe   | kWt   | kWe   | kWt   | kWe  |
| 70%                                     | -13,7                            | -15       | 13,12 | 5,79  | 13,06 | 5,92 | 13,06 | 6,04  | 12,82 | 5,95  | 12,4  | 5,71  | 11,56 | 5,23 |
|   | -11,8                            | -13       | 13,66 | 5,89  | 13,66 | 6,01 | 13,3  | 5,86  | 12,82 | 5,64  | 12,4  | 5,41  | 11,56 | 4,96 |
|   | -9,8                             | -11       | 14,32 | 5,99  | 14,14 | 5,98 | 13,3  | 5,54  | 12,82 | 5,32  | 12,4  | 5,11  | 11,56 | 4,69 |
|   | -9,5                             | -10       | 14,68 | 6,04  | 14,14 | 5,8  | 13,3  | 5,38  | 12,82 | 5,17  | 12,4  | 4,97  | 11,56 | 4,56 |
|   | -8,5                             | -9,1      | 14,99 | 6,07  | 14,14 | 5,65 | 13,3  | 5,23  | 12,82 | 5,03  | 12,4  | 4,84  | 11,56 | 4,45 |
|   | -7                               | -7,6      | 14,99 | 5,8   | 14,14 | 5,4  | 13,3  | 5,01  | 12,82 | 4,82  | 12,4  | 4,63  | 11,56 | 4,26 |
|   | -5                               | -5,6      | 14,99 | 5,45  | 14,14 | 5,08 | 13,3  | 4,71  | 12,82 | 4,53  | 12,4  | 5,35  | 11,56 | 4,02 |
|   | -3                               | -3,7      | 14,99 | 5,13  | 14,14 | 4,79 | 13,3  | 4,45  | 12,82 | 4,28  | 12,4  | 4,12  | 11,56 | 3,8  |
|   | 0                                | -0,7      | 14,99 | 4,67  | 14,14 | 4,36 | 13,3  | 4,06  | 12,82 | 3,91  | 12,4  | 3,77  | 11,56 | 3,48 |
|   | 3                                | 2,2       | 14,99 | 4,27  | 14,14 | 3,99 | 13,3  | 3,72  | 12,82 | 3,58  | 12,4  | 3,45  | 11,56 | 3,19 |
|   | 5                                | 4,1       | 14,99 | 4,03  | 14,14 | 3,77 | 13,3  | 3,52  | 12,82 | 3,39  | 12,4  | 3,27  | 11,56 | 3,03 |
|   | 7                                | 6         | 14,99 | 3,8   | 14,14 | 3,56 | 13,3  | 3,32  | 12,82 | 3,21  | 12,4  | 3,1   | 11,56 | 2,87 |
|   | 9                                | 7,9       | 14,99 | 3,6   | 14,14 | 3,37 | 13,3  | 3,15  | 12,82 | 3,04  | 12,4  | 2,93  | 11,56 | 2,72 |
|   | 11                               | 9,8       | 14,99 | 3,4   | 14,14 | 3,19 | 13,3  | 2,99  | 12,82 | 2,88  | 12,4  | 2,79  | 11,56 | 2,58 |
|   | 13                               | 11,8      | 14,99 | 3,21  | 14,14 | 3,02 | 13,3  | 2,82  | 12,82 | 2,73  | 12,4  | 2,64  | 11,56 | 2,45 |
| 15                                      | 13,7                             | 14,99     | 3,05  | 14,14 | 2,86  | 13,3 | 2,68  | 12,82 | 2,6   | 12,4  | 2,51  | 11,56 | 2,34  |      |
| 60%                                     | -13,7                            | -15       | 12,85 | 5,95  | 12,12 | 5,53 | 11,4  | 5,13  | 11,04 | 4,93  | 10,68 | 4,74  | 9,95  | 4,36 |
|   | -11,8                            | -13       | 12,85 | 5,63  | 12,12 | 5,24 | 11,4  | 4,86  | 11,04 | 4,68  | 10,68 | 4,5   | 9,95  | 4,16 |
|   | -9,8                             | -11       | 12,85 | 5,32  | 12,12 | 4,95 | 11,4  | 4,6   | 11,04 | 4,43  | 10,68 | 4,26  | 9,95  | 3,93 |
|   | -9,5                             | -10       | 12,85 | 5,17  | 12,12 | 4,82 | 11,4  | 4,47  | 11,04 | 4,31  | 10,68 | 4,14  | 9,95  | 3,82 |
|   | -8,5                             | -9,1      | 12,85 | 5,03  | 12,12 | 4,69 | 11,4  | 4,36  | 11,04 | 4,2   | 10,68 | 4,04  | 9,95  | 3,73 |
|   | -7                               | -7,6      | 12,85 | 4,81  | 12,12 | 4,49 | 11,4  | 4,18  | 11,04 | 4,03  | 10,68 | 3,87  | 9,95  | 3,58 |
|   | -5                               | -5,6      | 12,85 | 4,53  | 12,12 | 4,23 | 11,4  | 3,94  | 11,04 | 3,8   | 10,68 | 3,66  | 9,95  | 3,38 |
|   | -3                               | -3,7      | 12,85 | 4,28  | 12,12 | 4    | 11,4  | 3,73  | 11,04 | 3,6   | 10,68 | 3,46  | 9,95  | 3,2  |
|   | 0                                | -0,7      | 12,85 | 3,91  | 12,12 | 3,66 | 11,4  | 3,42  | 11,04 | 3,3   | 10,68 | 3,18  | 9,95  | 2,94 |
|   | 3                                | 2,2       | 12,85 | 3,58  | 12,12 | 3,36 | 11,4  | 3,14  | 11,04 | 3,03  | 10,68 | 2,93  | 9,95  | 2,71 |
|   | 5                                | 4,1       | 12,85 | 3,39  | 12,12 | 3,18 | 11,4  | 2,97  | 11,04 | 2,88  | 10,68 | 2,77  | 9,95  | 2,58 |
|   | 7                                | 6         | 12,85 | 3,21  | 12,12 | 3,01 | 11,4  | 2,82  | 11,04 | 2,73  | 10,68 | 2,64  | 9,95  | 2,45 |
|   | 9                                | 7,9       | 12,85 | 3,04  | 12,12 | 2,86 | 11,4  | 2,68  | 11,04 | 2,59  | 10,68 | 2,5   | 9,95  | 2,33 |
|   | 11                               | 9,8       | 12,85 | 2,88  | 12,12 | 2,71 | 11,4  | 2,55  | 11,04 | 2,46  | 10,68 | 2,38  | 9,95  | 2,22 |
|   | 13                               | 11,8      | 12,85 | 2,73  | 12,12 | 2,57 | 11,4  | 2,42  | 11,04 | 2,34  | 10,68 | 2,26  | 9,95  | 2,11 |
| 15                                      | 13,7                             | 12,85     | 2,6   | 12,12 | 2,44  | 11,4 | 2,3   | 11,04 | 2,23  | 10,68 | 2,16  | 9,95  | 2,01  |      |
| 50%                                     | -13,7                            | -15       | 10,7  | 4,77  | 10,1  | 4,45 | 9,5   | 4,14  | 9,14  | 3,99  | 8,84  | 3,84  | 8,24  | 3,55 |
|   | -11,8                            | -13       | 10,7  | 4,53  | 10,1  | 4,23 | 9,5   | 3,93  | 9,14  | 3,79  | 8,84  | 3,65  | 8,24  | 3,38 |
|   | -9,8                             | -11       | 10,7  | 4,29  | 10,1  | 4,01 | 9,5   | 3,73  | 9,14  | 3,6   | 8,84  | 3,47  | 8,24  | 3,21 |
|   | -9,5                             | -10       | 10,7  | 4,17  | 10,1  | 3,9  | 9,5   | 3,64  | 9,14  | 3,51  | 8,84  | 3,38  | 8,24  | 3,12 |
|   | -8,5                             | -9,1      | 10,7  | 4,06  | 10,1  | 3,81 | 9,5   | 3,55  | 9,14  | 3,42  | 8,84  | 3,3   | 8,24  | 3,05 |
|   | -7                               | -7,6      | 10,7  | 3,9   | 10,1  | 3,65 | 9,5   | 3,4   | 9,14  | 3,29  | 8,84  | 3,17  | 8,24  | 2,93 |
|   | -5                               | -5,6      | 10,7  | 3,68  | 10,1  | 3,45 | 9,5   | 3,22  | 9,14  | 3,11  | 8,84  | 3     | 8,24  | 2,78 |
|   | -3                               | -3,7      | 10,7  | 3,48  | 10,1  | 3,27 | 9,5   | 3,05  | 9,14  | 2,95  | 8,84  | 2,84  | 8,24  | 2,64 |
|   | 0                                | -0,7      | 10,7  | 3,19  | 10,1  | 3    | 9,5   | 2,81  | 9,14  | 2,71  | 8,84  | 2,62  | 8,24  | 2,44 |
|   | 3                                | 2,2       | 10,7  | 2,94  | 10,1  | 2,77 | 9,5   | 2,59  | 9,14  | 2,51  | 8,84  | 2,42  | 8,24  | 2,26 |
|   | 5                                | 4,1       | 10,7  | 2,79  | 10,1  | 2,62 | 9,5   | 2,46  | 9,14  | 2,38  | 8,84  | 2,31  | 8,24  | 2,15 |
|   | 7                                | 6         | 10,7  | 2,65  | 10,1  | 2,49 | 9,5   | 2,34  | 9,14  | 2,27  | 8,84  | 2,19  | 8,24  | 2,05 |
|   | 9                                | 7,9       | 10,7  | 2,51  | 10,1  | 2,37 | 9,5   | 2,23  | 9,14  | 2,16  | 8,84  | 2,09  | 8,24  | 1,95 |
|   | 11                               | 9,8       | 10,7  | 2,39  | 10,1  | 2,25 | 9,5   | 2,12  | 9,14  | 2,06  | 8,84  | 1,99  | 8,24  | 1,86 |
|   | 13                               | 11,8      | 10,7  | 2,27  | 10,1  | 2,14 | 9,5   | 2,02  | 9,14  | 1,96  | 8,84  | 1,9   | 8,24  | 1,78 |
| 15                                      | 13,7                             | 10,7      | 2,16  | 10,1  | 2,05  | 9,5  | 1,93  | 9,14  | 1,87  | 8,84  | 1,81  | 8,24  | 1,7   |      |

kWt = Heating capacity [kW]  
 kWe = Compressor + Fan power input [kW]  
 DB=Dry bulb  
 WB=Wet bulb

Notes: It is recommended to have system with Indoor/Outdoor Capacity Ratio less than 130%  
 Avoid running the unit in heating mode when outdoor air temperature is below -20°C  
 The above capacity tables show the average values in operating condition

# Performance in Heating

## MSAN-XMi 200T

| Indoor/<br>Outdoor<br>Capacity<br>Ratio | Indoor air temperature D.B. (°C) |           |      |      |      |      |      |      |      |      |      |      |      |      |
|---|----------------------------------|-----------|------|------|------|------|------|------|------|------|------|------|------|------|
|   | Outdoor air temperature (°C)     |           | 16   |      | 18   |      | 20   |      | 21   |      | 22   |      | 24   |      |
|   | D.B. (°C)                        | W.B. (°C) | kWt  | kWe  | kWt  | kWe  | kWt  | kWe  | kWt  | kWe  | kWt  | kWe  | kWt  | kWe  |
| 130%                                    | -13,7                            | -15       | 15,6 | 4,9  | 15,6 | 5,19 | 15,5 | 5,47 | 15,5 | 5,6  | 15,4 | 5,75 | 15,4 | 6,03 |
|   | -11,8                            | -13       | 16,3 | 5,12 | 16,3 | 5,39 | 16,2 | 5,66 | 16,1 | 5,8  | 16,1 | 5,93 | 16,1 | 6,2  |
|   | -9,8                             | -11       | 17   | 5,35 | 17   | 5,6  | 16,9 | 5,86 | 16,9 | 5,99 | 16,9 | 6,12 | 16,8 | 6,38 |
|   | -9,5                             | -10       | 17,5 | 5,46 | 17,4 | 5,71 | 17,3 | 5,96 | 17,3 | 6,09 | 17,3 | 6,21 | 17,3 | 6,46 |
|   | -8,5                             | -9,1      | 17,8 | 5,56 | 17,7 | 5,8  | 17,7 | 6,05 | 17,7 | 6,17 | 17,7 | 6,29 | 17,6 | 6,54 |
|   | -7                               | -7,6      | 18,4 | 5,72 | 18,4 | 5,96 | 18,4 | 6,19 | 18,4 | 6,31 | 18,3 | 6,43 | 18,2 | 6,67 |
|   | -5                               | -5,6      | 19,4 | 5,93 | 19,3 | 6,16 | 19,3 | 6,39 | 19,3 | 6,5  | 19,2 | 6,6  | 19,2 | 6,83 |
|   | -3                               | -3,7      | 20,3 | 6,13 | 20,3 | 6,34 | 20,3 | 6,55 | 20,2 | 6,67 | 20,2 | 6,77 | 20,1 | 6,98 |
|   | 0                                | -0,7      | 21,9 | 6,43 | 21,9 | 6,63 | 21,9 | 6,82 | 21,9 | 6,89 | 21,8 | 7,02 | 21,8 | 7,21 |
|   | 3                                | 2,2       | 23,7 | 6,69 | 23,6 | 6,88 | 23,5 | 7,06 | 23,5 | 7,15 | 23,5 | 7,25 | 23,5 | 7,42 |
|   | 5                                | 4,1       | 24,9 | 6,86 | 24,8 | 7,04 | 24,8 | 7,21 | 24,7 | 7,29 | 24,7 | 7,38 | 24,7 | 7,55 |
|   | 7                                | 6         | 26,1 | 7,02 | 26,1 | 7,18 | 26,1 | 7,35 | 26   | 7,43 | 26   | 7,51 | 24,9 | 7,21 |
|   | 9                                | 7,9       | 27,4 | 7,17 | 27,4 | 7,33 | 27,4 | 7,48 | 27,3 | 7,56 | 26,7 | 7,4  | 24,9 | 6,78 |
|   | 11                               | 9,8       | 28,8 | 7,31 | 28,8 | 7,46 | 28,6 | 7,55 | 27,7 | 7,26 | 26,7 | 6,96 | 24,9 | 6,39 |
|   | 13                               | 11,8      | 30,4 | 7,45 | 30,3 | 7,59 | 28,6 | 7,08 | 27,7 | 6,8  | 26,7 | 6,53 | 24,9 | 5,99 |
| 15                                      | 13,7                             | 31,8      | 7,58 | 30,5 | 7,19 | 28,6 | 6,67 | 27,7 | 6,41 | 26,7 | 6,15 | 24,9 | 5,65 |      |
| 120%                                    | -13,7                            | -15       | 15,6 | 5,28 | 15,5 | 5,54 | 15,4 | 5,8  | 15,4 | 5,93 | 15,4 | 6,06 | 15,4 | 6,32 |
|   | -11,8                            | -13       | 16,2 | 5,48 | 16,2 | 5,73 | 16,1 | 5,98 | 16,1 | 6,11 | 16,1 | 6,23 | 16,1 | 6,48 |
|   | -9,8                             | -11       | 17   | 5,69 | 16,9 | 5,93 | 16,9 | 6,17 | 16,8 | 6,29 | 16,8 | 6,4  | 16,8 | 6,64 |
|   | -9,5                             | -10       | 17,4 | 5,8  | 17,3 | 6,03 | 17,3 | 6,26 | 17,3 | 6,38 | 17,3 | 6,49 | 17,2 | 6,72 |
|   | -8,5                             | -9,1      | 17,7 | 5,89 | 17,7 | 6,11 | 17,7 | 6,34 | 17,6 | 6,45 | 17,6 | 6,57 | 17,5 | 6,8  |
|   | -7                               | -7,6      | 18,4 | 6,04 | 18,4 | 6,26 | 18,3 | 6,47 | 18,3 | 6,59 | 18,2 | 6,69 | 18,2 | 6,91 |
|   | -5                               | -5,6      | 19,3 | 6,23 | 19,3 | 6,44 | 19,2 | 6,65 | 19,2 | 6,76 | 19,2 | 6,86 | 19,1 | 7,06 |
|   | -3                               | -3,7      | 20,3 | 6,42 | 20,3 | 6,62 | 20,2 | 6,81 | 20,2 | 6,91 | 20,1 | 7,01 | 20,1 | 7,21 |
|   | 0                                | -0,7      | 21,9 | 6,69 | 21,9 | 6,88 | 21,8 | 7,05 | 21,8 | 7,15 | 21,7 | 7,24 | 21,7 | 7,42 |
|   | 3                                | 2,2       | 23,6 | 6,94 | 23,5 | 7,11 | 23,5 | 7,28 | 23,5 | 7,37 | 23,5 | 7,45 | 23   | 7,41 |
|   | 5                                | 4,1       | 24,8 | 7,09 | 24,7 | 7,26 | 24,7 | 7,42 | 24,7 | 7,5  | 24,7 | 7,58 | 23   | 6,96 |
|   | 7                                | 6         | 26,1 | 7,24 | 26,1 | 7,39 | 26   | 7,54 | 25,6 | 7,44 | 24,7 | 7,13 | 23   | 6,55 |
|   | 9                                | 7,9       | 27,4 | 7,38 | 27,3 | 7,53 | 26,4 | 7,28 | 25,6 | 6,99 | 24,7 | 6,71 | 23   | 6,16 |
|   | 11                               | 9,8       | 28,8 | 7,51 | 28,1 | 7,38 | 26,4 | 6,84 | 25,6 | 6,58 | 24,7 | 6,31 | 23   | 5,81 |
|   | 13                               | 11,8      | 29,8 | 7,44 | 28,1 | 6,92 | 26,4 | 6,42 | 25,6 | 6,18 | 24,7 | 5,93 | 23   | 5,46 |
| 15                                      | 13,7                             | 29,8      | 7,01 | 28,1 | 6,52 | 26,4 | 6,06 | 25,6 | 5,82 | 24,7 | 5,6  | 23   | 5,15 |      |
| 110%                                    | -13,7                            | -15       | 15,5 | 5,66 | 15,4 | 5,9  | 15,4 | 6,14 | 15,4 | 6,26 | 15,4 | 6,38 | 15,3 | 6,61 |
|   | -11,8                            | -13       | 16,1 | 5,85 | 16,1 | 6,08 | 16,1 | 6,31 | 16,1 | 6,42 | 16   | 6,53 | 16   | 6,76 |
|   | -9,8                             | -11       | 16,9 | 6,04 | 16,8 | 6,26 | 16,8 | 6,47 | 16,8 | 6,59 | 16,8 | 6,69 | 16,8 | 6,91 |
|   | -9,5                             | -10       | 17,3 | 6,14 | 17,3 | 6,34 | 17,2 | 6,56 | 17,2 | 6,67 | 17,2 | 6,77 | 17,1 | 6,98 |
|   | -8,5                             | -9,1      | 17,7 | 6,22 | 17,6 | 6,43 | 17,6 | 6,63 | 17,5 | 6,74 | 17,5 | 6,84 | 17,5 | 6,24 |
|   | -7                               | -7,6      | 18,3 | 6,36 | 18,3 | 6,55 | 18,2 | 6,76 | 18,2 | 6,86 | 18,2 | 6,96 | 18,2 | 7,16 |
|   | -5                               | -5,6      | 19,3 | 6,54 | 19,2 | 6,73 | 19,1 | 6,92 | 19,1 | 7,01 | 19,1 | 7,11 | 19,1 | 7,3  |
|   | -3                               | -3,7      | 20,2 | 6,71 | 20,2 | 6,88 | 20,1 | 7,07 | 20,1 | 7,16 | 20   | 7,25 | 20   | 7,43 |
|   | 0                                | -0,7      | 21,8 | 6,96 | 21,8 | 7,13 | 21,7 | 7,3  | 21,7 | 7,38 | 21,7 | 7,46 | 21,1 | 7,32 |
|   | 3                                | 2,2       | 23,5 | 7,19 | 23,5 | 7,34 | 23,5 | 7,5  | 23,4 | 7,57 | 22,6 | 7,26 | 21,1 | 6,66 |
|   | 5                                | 4,1       | 24,7 | 7,33 | 24,7 | 7,48 | 24,2 | 7,41 | 23,4 | 7,11 | 22,6 | 6,83 | 21,1 | 6,26 |
|   | 7                                | 6         | 26   | 7,46 | 25,8 | 7,51 | 24,2 | 6,96 | 23,4 | 6,68 | 22,6 | 6,42 | 21,1 | 5,89 |
|   | 9                                | 7,9       | 27,3 | 7,59 | 25,8 | 7,06 | 24,2 | 6,55 | 23,4 | 6,29 | 22,6 | 6,04 | 21,1 | 5,56 |
|   | 11                               | 9,8       | 27,3 | 7,13 | 25,8 | 6,64 | 24,2 | 6,16 | 23,4 | 5,93 | 22,6 | 5,69 | 21,1 | 5,24 |
|   | 13                               | 11,8      | 27,3 | 6,69 | 25,8 | 6,23 | 24,2 | 5,79 | 23,4 | 5,57 | 22,6 | 5,35 | 21,1 | 4,94 |
| 15                                      | 13,7                             | 27,3      | 5,94 | 25,8 | 5,88 | 24,2 | 5,47 | 23,4 | 5,26 | 22,6 | 5,06 | 21,1 | 4,67 |      |

kWt = Heating capacity [kW]  
kWe = Compressor + Fan power input [kW]  
DB=Dry bulb  
WB=Wet bulb



# Performance in Heating

## MSAN-XMi 200T

| Indoor/<br>Outdoor<br>Capacity<br>Ratio | Indoor air temperature D.B. (°C) |           |      |      |      |      |      |      |      |      |      |      |      |      |
|---|----------------------------------|-----------|------|------|------|------|------|------|------|------|------|------|------|------|
|   | Outdoor air temperature (°C)     |           | 16   |      | 18   |      | 20   |      | 21   |      | 22   |      | 24   |      |
|   | D.B. (°C)                        | W.B. (°C) | kWt  | kWe  | kWt  | kWe  | kWt  | kWe  | kWt  | kWe  | kWt  | kWe  | kWt  | kWe  |
| 100%                                    | -13,7                            | -15       | 15,4 | 6,04 | 15,4 | 6,26 | 15,3 | 6,47 | 15,3 | 6,59 | 15,3 | 6,69 | 15,2 | 6,91 |
|   | -11,8                            | -13       | 16,1 | 6,22 | 16,1 | 6,42 | 16   | 6,63 | 16   | 6,73 | 16   | 6,84 | 15,9 | 7,05 |
|   | -9,8                             | -11       | 16,8 | 6,39 | 16,8 | 6,59 | 16,8 | 6,78 | 16,8 | 6,88 | 16,7 | 6,98 | 16,7 | 7,17 |
|   | -9,5                             | -10       | 17,3 | 6,47 | 17,2 | 6,67 | 17,2 | 6,86 | 17,1 | 6,96 | 17,1 | 7,05 | 17   | 7,25 |
|   | -8,5                             | -9,1      | 17,6 | 6,55 | 17,5 | 6,74 | 17,5 | 6,92 | 17,5 | 7,02 | 17,5 | 7,12 | 17,5 | 7,3  |
|   | -7                               | -7,6      | 18,2 | 6,67 | 18,2 | 6,86 | 18,2 | 7,04 | 18,2 | 7,13 | 18,2 | 7,22 | 18,1 | 7,41 |
|   | -5                               | -5,6      | 19,2 | 6,84 | 19,1 | 7,01 | 19,1 | 7,19 | 19,1 | 7,27 | 19,1 | 7,36 | 19   | 7,54 |
|   | -3                               | -3,7      | 20,1 | 7    | 20,1 | 6,35 | 20   | 7,33 | 20   | 7,41 | 20   | 7,49 | 19,2 | 7,17 |
|   | 0                                | -0,7      | 21,7 | 7,22 | 21,7 | 7,38 | 21,7 | 7,53 | 21,3 | 7,41 | 20,6 | 7,1  | 19,2 | 6,51 |
|   | 3                                | 2,2       | 23,5 | 7,43 | 23,4 | 7,57 | 22   | 7,01 | 21,3 | 6,73 | 20,6 | 6,47 | 19,2 | 5,93 |
|   | 5                                | 4,1       | 24,7 | 7,57 | 23,4 | 7,11 | 22   | 6,59 | 21,3 | 6,34 | 20,6 | 6,09 | 19,2 | 5,6  |
|   | 7                                | 6         | 24,8 | 7,18 | 23,4 | 6,68 | 22   | 6,2  | 21,3 | 5,97 | 20,6 | 5,73 | 19,2 | 5,27 |
|   | 9                                | 7,9       | 24,8 | 6,75 | 23,4 | 6,29 | 22   | 5,84 | 21,3 | 5,55 | 20,6 | 5,4  | 19,2 | 4,98 |
|   | 11                               | 9,8       | 24,8 | 6,35 | 23,4 | 5,93 | 22   | 5,51 | 21,3 | 5,3  | 20,6 | 5,1  | 19,2 | 4,7  |
|   | 13                               | 11,8      | 24,8 | 5,97 | 23,4 | 5,57 | 22   | 5,19 | 21,3 | 4,99 | 20,6 | 4,81 | 19,2 | 4,44 |
| 15                                      | 13,7                             | 24,8      | 5,63 | 23,4 | 5,26 | 22   | 4,9  | 21,3 | 4,72 | 20,6 | 4,54 | 19,2 | 4,2  |      |
| 90%                                     | -13,7                            | -15       | 15,3 | 6,43 | 15,3 | 6,62 | 15,3 | 6,81 | 15,2 | 6,91 | 15,2 | 7    | 15,2 | 7,2  |
|   | -11,8                            | -13       | 16   | 6,58 | 16   | 6,76 | 15,9 | 6,95 | 15,9 | 7,05 | 15,9 | 7,13 | 15,8 | 7,32 |
|   | -9,8                             | -11       | 16,7 | 6,73 | 16,7 | 6,91 | 16,7 | 7,09 | 16,7 | 7,17 | 16,7 | 7,27 | 16,6 | 7,45 |
|   | -9,5                             | -10       | 17,2 | 6,81 | 17,1 | 6,99 | 17,1 | 7,16 | 17   | 7,25 | 17   | 7,34 | 17   | 7,5  |
|   | -8,5                             | -9,1      | 17,5 | 6,88 | 17,5 | 7,05 | 17,4 | 7,22 | 17,4 | 7,3  | 17,4 | 7,39 | 17,2 | 7,46 |
|   | -7                               | -7,6      | 18,1 | 7    | 18,1 | 7,16 | 18,1 | 7,33 | 18,1 | 7,41 | 18,1 | 7,49 | 17,2 | 7,13 |
|   | -5                               | -5,6      | 19,1 | 7,15 | 19   | 7,3  | 19   | 7,46 | 19   | 7,54 | 18,5 | 7,3  | 17,2 | 6,7  |
|   | -3                               | -3,7      | 20   | 7,29 | 20   | 7,43 | 19,8 | 7,46 | 19,1 | 7,17 | 18,5 | 6,88 | 17,2 | 6,31 |
|   | 0                                | -0,7      | 21,7 | 7,5  | 21,1 | 7,31 | 19,8 | 6,77 | 19,1 | 6,51 | 18,5 | 6,25 | 17,2 | 5,74 |
|   | 3                                | 2,2       | 22,3 | 7,14 | 21,1 | 6,65 | 19,8 | 6,17 | 19,1 | 5,93 | 18,5 | 5,7  | 17,2 | 5,25 |
|   | 5                                | 4,1       | 22,3 | 6,72 | 21,1 | 6,26 | 19,8 | 5,81 | 19,1 | 5,59 | 18,5 | 5,38 | 17,2 | 4,95 |
|   | 7                                | 6         | 22,3 | 6,31 | 21,1 | 5,89 | 19,8 | 5,48 | 19,1 | 5,27 | 18,5 | 5,07 | 17,2 | 4,68 |
|   | 9                                | 7,9       | 22,3 | 5,95 | 21,1 | 5,55 | 19,8 | 5,16 | 19,1 | 4,98 | 18,5 | 4,79 | 17,2 | 4,42 |
|   | 11                               | 9,8       | 22,3 | 5,6  | 21,1 | 5,23 | 19,8 | 4,88 | 19,1 | 4,7  | 18,5 | 4,53 | 17,2 | 4,19 |
|   | 13                               | 11,8      | 22,3 | 5,27 | 21,1 | 4,94 | 19,8 | 4,6  | 19,1 | 4,44 | 18,5 | 4,28 | 17,2 | 3,95 |
| 15                                      | 13,7                             | 22,3      | 4,98 | 21,1 | 4,66 | 19,8 | 4,36 | 19,1 | 4,2  | 18,5 | 4,05 | 17,2 | 3,75 |      |
| 80%                                     | -13,7                            | -15       | 15,3 | 6,8  | 15,2 | 6,97 | 15,2 | 7,15 | 15,2 | 7,23 | 15,2 | 7,32 | 15,2 | 7,5  |
|   | -11,8                            | -13       | 15,9 | 6,94 | 15,9 | 7,11 | 15,9 | 7,27 | 15,9 | 7,35 | 15,9 | 7,44 | 15,4 | 7,24 |
|   | -9,8                             | -11       | 16,7 | 7,08 | 16,7 | 7,24 | 16,6 | 7,4  | 16,6 | 7,47 | 16,5 | 7,46 | 15,4 | 6,84 |
|   | -9,5                             | -10       | 17,1 | 7,15 | 17   | 7,3  | 17   | 7,46 | 17   | 7,54 | 16,5 | 7,24 | 15,4 | 6,63 |
|   | -8,5                             | -9,1      | 17,5 | 7,21 | 16,2 | 7,37 | 17,4 | 7,51 | 17   | 7,34 | 16,5 | 7,05 | 15,4 | 6,46 |
|   | -7                               | -7,6      | 18,1 | 7,32 | 18,1 | 7,46 | 17,6 | 7,3  | 17   | 7,01 | 16,5 | 6,73 | 15,4 | 6,18 |
|   | -5                               | -5,6      | 19,1 | 7,45 | 18,7 | 7,41 | 17,6 | 6,86 | 17   | 6,59 | 16,5 | 6,33 | 15,4 | 5,81 |
|   | -3                               | -3,7      | 19,8 | 7,49 | 18,7 | 6,97 | 17,6 | 6,46 | 17   | 6,22 | 16,5 | 5,97 | 15,4 | 5,49 |
|   | 0                                | -0,7      | 19,8 | 6,8  | 18,7 | 6,33 | 17,6 | 5,88 | 17   | 5,66 | 16,5 | 5,44 | 15,4 | 5,01 |
|   | 3                                | 2,2       | 19,8 | 6,19 | 18,7 | 5,77 | 17,6 | 5,37 | 17   | 5,17 | 16,5 | 4,98 | 15,4 | 4,59 |
|   | 5                                | 4,1       | 19,8 | 5,83 | 18,7 | 5,44 | 17,6 | 5,06 | 17   | 4,88 | 16,5 | 4,7  | 15,4 | 4,34 |
|   | 7                                | 6         | 19,8 | 5,49 | 18,7 | 5,14 | 17,6 | 4,78 | 17   | 4,61 | 16,5 | 4,44 | 15,4 | 4,11 |
|   | 9                                | 7,9       | 19,8 | 5,19 | 18,7 | 4,85 | 17,6 | 4,52 | 17   | 4,36 | 16,5 | 4,2  | 15,4 | 3,89 |
|   | 11                               | 9,8       | 19,8 | 4,9  | 18,7 | 4,58 | 17,6 | 4,28 | 17   | 4,12 | 16,5 | 3,98 | 15,4 | 3,69 |
|   | 13                               | 11,8      | 19,8 | 4,61 | 18,7 | 4,32 | 17,6 | 4,04 | 17   | 3,9  | 16,5 | 3,76 | 15,4 | 3,49 |
| 15                                      | 13,7                             | 19,8      | 4,36 | 18,7 | 4,1  | 17,6 | 3,83 | 17   | 3,7  | 16,5 | 3,57 | 15,4 | 3,32 |      |

kWt = Heating capacity [kW]  
 kWe = Compressor + Fan power input [kW]  
 DB=Dry bulb  
 WB=Wet bulb

# Performance in Heating

## MSAN-XMi 200T

| Indoor/<br>Outdoor<br>Capacity<br>Ratio | Indoor air temperature D.B. (°C) |           |      |      |      |      |      |      |      |      |      |      |      |      |
|---|----------------------------------|-----------|------|------|------|------|------|------|------|------|------|------|------|------|
|   | Outdoor air temperature (°C)     |           | 16   |      | 18   |      | 20   |      | 21   |      | 22   |      | 24   |      |
|   | D.B. (°C)                        | W.B. (°C) | kWt  | kWe  | kWt  | kWe  | kWt  | kWe  | kWt  | kWe  | kWt  | kWe  | kWt  | kWe  |
| 70%                                     | -13,7                            | -15       | 15,2 | 7,18 | 15,1 | 7,33 | 15,1 | 7,49 | 14,8 | 7,38 | 14,4 | 7,08 | 13,4 | 6,49 |
|   | -11,8                            | -13       | 15,8 | 7,3  | 15,8 | 7,45 | 15,4 | 7,27 | 14,8 | 6,99 | 14,4 | 6,71 | 13,4 | 6,15 |
|   | -9,8                             | -11       | 16,6 | 7,42 | 16,4 | 7,42 | 15,4 | 6,87 | 14,8 | 6,6  | 14,4 | 6,34 | 13,4 | 5,82 |
|   | -9,5                             | -10       | 17   | 7,49 | 16,4 | 7,2  | 15,4 | 6,67 | 14,8 | 6,41 | 14,4 | 6,16 | 13,4 | 5,66 |
|   | -8,5                             | -9,1      | 17,4 | 7,53 | 16,4 | 7    | 15,4 | 6,49 | 14,8 | 6,24 | 14,4 | 6    | 13,4 | 5,52 |
|   | -7                               | -7,6      | 17,4 | 7,19 | 16,4 | 6,69 | 15,4 | 6,21 | 14,8 | 5,97 | 14,4 | 5,74 | 13,4 | 5,28 |
|   | -5                               | -5,6      | 17,4 | 6,76 | 16,4 | 6,3  | 15,4 | 5,85 | 14,8 | 5,62 | 14,4 | 6,64 | 13,4 | 4,98 |
|   | -3                               | -3,7      | 17,4 | 6,36 | 16,4 | 5,93 | 15,4 | 5,52 | 14,8 | 5,31 | 14,4 | 5,1  | 13,4 | 4,71 |
|   | 0                                | -0,7      | 17,4 | 5,79 | 16,4 | 5,41 | 15,4 | 5,03 | 14,8 | 4,85 | 14,4 | 4,67 | 13,4 | 4,32 |
|   | 3                                | 2,2       | 17,4 | 5,29 | 16,4 | 4,95 | 15,4 | 4,61 | 14,8 | 4,44 | 14,4 | 4,28 | 13,4 | 3,96 |
|   | 5                                | 4,1       | 17,4 | 4,99 | 16,4 | 4,67 | 15,4 | 4,36 | 14,8 | 4,2  | 14,4 | 4,05 | 13,4 | 3,75 |
|   | 7                                | 6         | 17,4 | 4,72 | 16,4 | 4,42 | 15,4 | 4,12 | 14,8 | 3,98 | 14,4 | 3,84 | 13,4 | 3,56 |
|   | 9                                | 7,9       | 17,4 | 4,46 | 16,4 | 4,18 | 15,4 | 3,91 | 14,8 | 3,77 | 14,4 | 3,64 | 13,4 | 3,37 |
|   | 11                               | 9,8       | 17,4 | 4,22 | 16,4 | 3,95 | 15,4 | 3,7  | 14,8 | 3,57 | 14,4 | 3,45 | 13,4 | 3,2  |
|   | 13                               | 11,8      | 17,4 | 3,99 | 16,4 | 3,74 | 15,4 | 3,5  | 14,8 | 3,39 | 14,4 | 3,27 | 13,4 | 3,04 |
| 15                                      | 13,7                             | 17,4      | 3,78 | 16,4 | 3,55 | 15,4 | 3,33 | 14,8 | 3,22 | 14,4 | 3,11 | 13,4 | 2,9  |      |
| 60%                                     | -13,7                            | -15       | 14,9 | 7,38 | 14   | 6,86 | 13,2 | 6,36 | 12,8 | 6,12 | 12,4 | 5,88 | 11,5 | 5,4  |
|   | -11,8                            | -13       | 14,9 | 6,98 | 14   | 6,5  | 13,2 | 6,03 | 12,8 | 5,81 | 12,4 | 5,58 | 11,5 | 5,16 |
|   | -9,8                             | -11       | 14,9 | 6,59 | 14   | 6,14 | 13,2 | 5,71 | 12,8 | 5,49 | 12,4 | 5,28 | 11,5 | 4,87 |
|   | -9,5                             | -10       | 14,9 | 6,41 | 14   | 5,97 | 13,2 | 5,55 | 12,8 | 5,35 | 12,4 | 5,14 | 11,5 | 4,73 |
|   | -8,5                             | -9,1      | 14,9 | 6,24 | 14   | 5,82 | 13,2 | 5,41 | 12,8 | 5,21 | 12,4 | 5,01 | 11,5 | 4,62 |
|   | -7                               | -7,6      | 14,9 | 5,97 | 14   | 5,57 | 13,2 | 5,18 | 12,8 | 4,99 | 12,4 | 4,8  | 11,5 | 4,44 |
|   | -5                               | -5,6      | 14,9 | 5,62 | 14   | 5,25 | 13,2 | 4,89 | 12,8 | 4,71 | 12,4 | 4,53 | 11,5 | 4,19 |
|   | -3                               | -3,7      | 14,9 | 5,31 | 14   | 4,96 | 13,2 | 4,62 | 12,8 | 4,46 | 12,4 | 4,29 | 11,5 | 3,97 |
|   | 0                                | -0,7      | 14,9 | 4,85 | 14   | 4,54 | 13,2 | 4,24 | 12,8 | 4,09 | 12,4 | 3,94 | 11,5 | 3,65 |
|   | 3                                | 2,2       | 14,9 | 4,44 | 14   | 4,17 | 13,2 | 3,9  | 12,8 | 3,76 | 12,4 | 3,63 | 11,5 | 3,37 |
|   | 5                                | 4,1       | 14,9 | 4,2  | 14   | 3,95 | 13,2 | 3,69 | 12,8 | 3,57 | 12,4 | 3,44 | 11,5 | 3,2  |
|   | 7                                | 6         | 14,9 | 3,98 | 14   | 3,74 | 13,2 | 3,49 | 12,8 | 3,38 | 12,4 | 3,27 | 11,5 | 3,04 |
|   | 9                                | 7,9       | 14,9 | 3,77 | 14   | 3,54 | 13,2 | 3,32 | 12,8 | 3,21 | 12,4 | 3,1  | 11,5 | 2,89 |
|   | 11                               | 9,8       | 14,9 | 3,57 | 14   | 3,37 | 13,2 | 3,16 | 12,8 | 3,05 | 12,4 | 2,95 | 11,5 | 2,75 |
|   | 13                               | 11,8      | 14,9 | 3,38 | 14   | 3,19 | 13,2 | 2,99 | 12,8 | 2,9  | 12,4 | 2,8  | 11,5 | 2,62 |
| 15                                      | 13,7                             | 14,9      | 3,22 | 14   | 3,03 | 13,2 | 2,85 | 12,8 | 2,76 | 12,4 | 2,67 | 11,5 | 2,5  |      |
| 50%                                     | -13,7                            | -15       | 12,4 | 5,91 | 11,7 | 5,52 | 11   | 5,13 | 10,6 | 4,94 | 10,2 | 4,76 | 9,5  | 4,4  |
|   | -11,8                            | -13       | 12,4 | 5,61 | 11,7 | 5,24 | 11   | 4,88 | 10,6 | 4,7  | 10,2 | 4,52 | 9,5  | 4,19 |
|   | -9,8                             | -11       | 12,4 | 5,31 | 11,7 | 4,97 | 11   | 4,63 | 10,6 | 4,46 | 10,2 | 4,3  | 9,5  | 3,98 |
|   | -9,5                             | -10       | 12,4 | 5,17 | 11,7 | 4,83 | 11   | 4,51 | 10,6 | 4,35 | 10,2 | 4,19 | 9,5  | 3,87 |
|   | -8,5                             | -9,1      | 12,4 | 5,04 | 11,7 | 4,72 | 11   | 4,4  | 10,6 | 4,24 | 10,2 | 4,09 | 9,5  | 3,78 |
|   | -7                               | -7,6      | 12,4 | 4,83 | 11,7 | 4,52 | 11   | 4,22 | 10,6 | 4,07 | 10,2 | 3,93 | 9,5  | 3,64 |
|   | -5                               | -5,6      | 12,4 | 4,56 | 11,7 | 4,28 | 11   | 3,99 | 10,6 | 3,86 | 10,2 | 3,72 | 9,5  | 3,45 |
|   | -3                               | -3,7      | 12,4 | 4,32 | 11,7 | 4,05 | 11   | 3,78 | 10,6 | 3,66 | 10,2 | 3,53 | 9,5  | 3,28 |
|   | 0                                | -0,7      | 12,4 | 3,96 | 11,7 | 3,72 | 11   | 3,49 | 10,6 | 3,37 | 10,2 | 3,25 | 9,5  | 3,03 |
|   | 3                                | 2,2       | 12,4 | 3,65 | 11,7 | 3,43 | 11   | 3,21 | 10,6 | 3,11 | 10,2 | 3    | 9,5  | 2,8  |
|   | 5                                | 4,1       | 12,4 | 3,46 | 11,7 | 3,25 | 11   | 3,05 | 10,6 | 2,95 | 10,2 | 2,86 | 9,5  | 2,67 |
|   | 7                                | 6         | 12,4 | 3,28 | 11,7 | 3,09 | 11   | 2,91 | 10,6 | 2,81 | 10,2 | 2,72 | 9,5  | 2,54 |
|   | 9                                | 7,9       | 12,4 | 3,12 | 11,7 | 2,94 | 11   | 2,76 | 10,6 | 2,68 | 10,2 | 2,59 | 9,5  | 2,42 |
|   | 11                               | 9,8       | 12,4 | 2,96 | 11,7 | 2,79 | 11   | 2,63 | 10,6 | 2,55 | 10,2 | 2,47 | 9,5  | 2,31 |
|   | 13                               | 11,8      | 12,4 | 2,82 | 11,7 | 2,66 | 11   | 2,5  | 10,6 | 2,43 | 10,2 | 2,35 | 9,5  | 2,21 |
| 15                                      | 13,7                             | 12,4      | 2,68 | 11,7 | 2,54 | 11   | 2,39 | 10,6 | 2,32 | 10,2 | 2,25 | 9,5  | 2,11 |      |

kWt = Heating capacity [kW]  
kWe = Compressor + Fan power input [kW]  
DB=Dry bulb  
WB=Wet bulb

Notes: It is recommended to have system with Indoor/Outdoor Capacity Ratio less than 130%  
Avoid running the unit in heating mode when outdoor air temperature is below -20°C  
The above capacity tables show the average values in operating condition

# Performance in Heating

## MSAN-XMi 224T

| Indoor/<br>Outdoor<br>Capacity<br>Ratio | Indoor air temperature D.B. (°C) |           |      |      |      |      |      |      |      |      |      |      |      |      |
|---|----------------------------------|-----------|------|------|------|------|------|------|------|------|------|------|------|------|
|   | Outdoor air temperature (°C)     |           | 16   |      | 18   |      | 20   |      | 21   |      | 22   |      | 24   |      |
|   | D.B. (°C)                        | W.B. (°C) | kWt  | kWe  | kWt  | kWe  | kWt  | kWe  | kWt  | kWe  | kWt  | kWe  | kWt  | kWe  |
| 130%                                    | -13,7                            | -15       | 17,4 | 4,67 | 17,3 | 4,93 | 17,3 | 5,2  | 17,3 | 5,33 | 17,2 | 5,47 | 17,2 | 5,74 |
|   | -11,8                            | -13       | 18,1 | 4,87 | 18,1 | 5,13 | 18   | 5,39 | 18   | 5,52 | 18   | 5,65 | 17,9 | 5,9  |
|   | -9,8                             | -11       | 19   | 5,09 | 18,9 | 5,33 | 18,8 | 5,58 | 18,8 | 5,7  | 18,8 | 5,82 | 18,7 | 6,07 |
|   | -9,5                             | -10       | 19,4 | 5,19 | 19,4 | 5,43 | 19,3 | 5,67 | 19,3 | 5,79 | 19,2 | 5,91 | 19,2 | 6,14 |
|   | -8,5                             | -9,1      | 19,8 | 5,29 | 19,8 | 5,52 | 19,8 | 5,75 | 19,7 | 5,87 | 19,7 | 5,98 | 19,6 | 6,22 |
|   | -7                               | -7,6      | 20,5 | 5,44 | 20,5 | 5,67 | 20,5 | 5,89 | 20,5 | 6,01 | 20,4 | 6,11 | 20,3 | 6,34 |
|   | -5                               | -5,6      | 21,6 | 5,65 | 21,5 | 5,86 | 21,5 | 6,08 | 21,5 | 6,18 | 21,4 | 6,28 | 21,4 | 6,5  |
|   | -3                               | -3,7      | 22,6 | 5,83 | 22,6 | 6,04 | 22,6 | 6,24 | 22,5 | 6,34 | 22,5 | 6,44 | 22,4 | 6,64 |
|   | 0                                | -0,7      | 24,4 | 6,11 | 24,4 | 6,31 | 24,3 | 6,49 | 24,3 | 6,56 | 24,3 | 6,68 | 24,3 | 6,87 |
|   | 3                                | 2,2       | 26,4 | 6,37 | 26,3 | 6,54 | 26,2 | 6,72 | 26,2 | 6,8  | 26,2 | 6,9  | 26,1 | 7,06 |
|   | 5                                | 4,1       | 27,7 | 6,53 | 27,6 | 6,7  | 27,6 | 6,86 | 27,5 | 6,94 | 27,5 | 7,03 | 27,5 | 7,19 |
|   | 7                                | 6         | 29,1 | 6,68 | 29   | 6,83 | 29   | 7    | 28,9 | 7,07 | 28,9 | 7,15 | 27,8 | 6,87 |
|   | 9                                | 7,9       | 30,6 | 6,82 | 30,5 | 6,97 | 30,5 | 7,12 | 30,4 | 7,2  | 29,8 | 7,04 | 27,8 | 6,45 |
|   | 11                               | 9,8       | 32,1 | 6,96 | 32   | 7,09 | 31,9 | 7,19 | 30,8 | 6,9  | 29,8 | 6,62 | 27,8 | 6,08 |
|   | 13                               | 11,8      | 33,8 | 7,09 | 33,8 | 7,23 | 31,9 | 6,74 | 30,8 | 6,47 | 29,8 | 6,21 | 27,8 | 5,7  |
| 15                                      | 13,7                             | 35,5      | 7,21 | 33,9 | 6,84 | 31,9 | 6,34 | 30,8 | 6,1  | 29,8 | 5,85 | 27,8 | 5,38 |      |
| 120%                                    | -13,7                            | -15       | 17,3 | 5,03 | 17,3 | 5,27 | 17,2 | 5,52 | 17,2 | 5,65 | 17,2 | 5,77 | 17,1 | 6,02 |
|   | -11,8                            | -13       | 18   | 5,22 | 18   | 5,46 | 18   | 5,69 | 18   | 5,82 | 17,9 | 5,93 | 17,9 | 6,17 |
|   | -9,8                             | -11       | 18,9 | 5,42 | 18,8 | 5,64 | 18,8 | 5,87 | 18,7 | 5,98 | 18,7 | 6,09 | 18,7 | 6,32 |
|   | -9,5                             | -10       | 19,4 | 5,52 | 19,3 | 5,74 | 19,2 | 5,95 | 19,2 | 6,07 | 19,2 | 6,18 | 19,1 | 6,4  |
|   | -8,5                             | -9,1      | 19,8 | 5,6  | 19,7 | 5,82 | 19,7 | 6,03 | 19,6 | 6,14 | 19,6 | 6,25 | 19,5 | 6,47 |
|   | -7                               | -7,6      | 20,5 | 5,75 | 20,5 | 5,95 | 20,4 | 6,16 | 20,4 | 6,27 | 20,3 | 6,37 | 20,3 | 6,57 |
|   | -5                               | -5,6      | 21,5 | 5,93 | 21,5 | 6,13 | 21,4 | 6,33 | 21,4 | 6,43 | 21,4 | 6,53 | 21,3 | 6,72 |
|   | -3                               | -3,7      | 22,6 | 6,11 | 22,6 | 6,3  | 22,5 | 6,48 | 22,5 | 6,57 | 22,4 | 6,67 | 22,4 | 6,86 |
|   | 0                                | -0,7      | 24,3 | 6,37 | 24,3 | 6,54 | 24,3 | 6,71 | 24,3 | 6,8  | 24,2 | 6,89 | 24,2 | 7,06 |
|   | 3                                | 2,2       | 26,3 | 6,61 | 26,2 | 6,77 | 26,2 | 6,93 | 26,1 | 7,01 | 26,1 | 7,09 | 25,6 | 7,05 |
|   | 5                                | 4,1       | 27,6 | 6,75 | 27,5 | 6,9  | 27,5 | 7,06 | 27,5 | 7,13 | 27,5 | 7,21 | 25,6 | 6,62 |
|   | 7                                | 6         | 29   | 6,89 | 29   | 7,03 | 28,9 | 7,18 | 28,5 | 7,08 | 27,5 | 6,79 | 25,6 | 6,23 |
|   | 9                                | 7,9       | 30,5 | 7,03 | 30,4 | 7,16 | 29,4 | 6,93 | 28,5 | 6,65 | 27,5 | 6,38 | 25,6 | 5,86 |
|   | 11                               | 9,8       | 32   | 7,15 | 31,3 | 7,03 | 29,4 | 6,51 | 28,5 | 6,26 | 27,5 | 6,01 | 25,6 | 5,52 |
|   | 13                               | 11,8      | 33,2 | 7,08 | 31,3 | 6,59 | 29,4 | 6,11 | 28,5 | 5,88 | 27,5 | 5,65 | 25,6 | 5,2  |
| 15                                      | 13,7                             | 33,2      | 6,67 | 31,3 | 6,21 | 29,4 | 5,76 | 28,5 | 5,54 | 27,5 | 5,33 | 25,6 | 4,9  |      |
| 110%                                    | -13,7                            | -15       | 17,3 | 5,39 | 17,2 | 5,62 | 17,1 | 5,84 | 17,1 | 5,95 | 17,1 | 6,07 | 17   | 6,29 |
|   | -11,8                            | -13       | 18   | 5,57 | 18   | 5,78 | 17,9 | 6    | 17,9 | 6,11 | 17,8 | 6,21 | 17,8 | 6,44 |
|   | -9,8                             | -11       | 18,8 | 5,75 | 18,7 | 5,95 | 18,7 | 6,16 | 18,7 | 6,27 | 18,7 | 6,37 | 18,7 | 6,57 |
|   | -9,5                             | -10       | 19,3 | 5,84 | 19,2 | 6,04 | 19,1 | 6,25 | 19,1 | 6,34 | 19,1 | 6,44 | 19,1 | 6,64 |
|   | -8,5                             | -9,1      | 19,7 | 5,92 | 19,6 | 6,11 | 19,6 | 6,31 | 19,5 | 6,41 | 19,5 | 6,51 | 19,5 | 6,94 |
|   | -7                               | -7,6      | 20,4 | 6,05 | 20,4 | 6,24 | 20,3 | 6,43 | 20,3 | 6,53 | 20,3 | 6,62 | 20,2 | 6,81 |
|   | -5                               | -5,6      | 21,5 | 6,22 | 21,4 | 6,41 | 21,3 | 6,58 | 21,3 | 6,67 | 21,3 | 6,77 | 21,2 | 6,95 |
|   | -3                               | -3,7      | 22,5 | 6,38 | 22,5 | 6,55 | 22,4 | 6,73 | 22,4 | 6,81 | 22,3 | 6,9  | 22,3 | 7,07 |
|   | 0                                | -0,7      | 24,3 | 6,62 | 24,3 | 6,78 | 24,2 | 6,94 | 24,2 | 7,02 | 24,2 | 7,1  | 23,5 | 6,96 |
|   | 3                                | 2,2       | 26,2 | 6,84 | 26,1 | 6,99 | 26,1 | 7,13 | 26,1 | 7,2  | 25,2 | 6,91 | 23,5 | 6,34 |
|   | 5                                | 4,1       | 27,5 | 6,97 | 27,5 | 7,12 | 27   | 7,05 | 26,1 | 6,77 | 25,2 | 6,5  | 23,5 | 5,96 |
|   | 7                                | 6         | 28,9 | 7,1  | 28,7 | 7,15 | 27   | 6,62 | 26,1 | 6,36 | 25,2 | 6,11 | 23,5 | 5,61 |
|   | 9                                | 7,9       | 30,4 | 7,22 | 28,7 | 6,72 | 27   | 6,23 | 26,1 | 5,98 | 25,2 | 5,75 | 23,5 | 5,29 |
|   | 11                               | 9,8       | 30,4 | 6,79 | 28,7 | 6,32 | 27   | 5,86 | 26,1 | 5,64 | 25,2 | 5,42 | 23,5 | 4,99 |
|   | 13                               | 11,8      | 30,4 | 6,37 | 28,7 | 5,93 | 27   | 5,51 | 26,1 | 5,3  | 25,2 | 5,1  | 23,5 | 4,7  |
| 15                                      | 13,7                             | 30,4      | 5,66 | 28,7 | 5,59 | 27   | 5,2  | 26,1 | 5    | 25,2 | 4,82 | 23,5 | 4,44 |      |

kWt = Heating capacity [kW]  
kWe = Compressor + Fan power input [kW]  
DB=Dry bulb  
WB=Wet bulb

# Performance in Heating

## MSAN-XMi 224T

| Indoor/<br>Outdoor<br>Capacity<br>Ratio | Indoor air temperature D.B. (°C) |           |      |      |      |      |      |      |      |      |      |      |      |      |
|---|----------------------------------|-----------|------|------|------|------|------|------|------|------|------|------|------|------|
|   | Outdoor air temperature (°C)     |           | 16   |      | 18   |      | 20   |      | 21   |      | 22   |      | 24   |      |
|   | D.B. (°C)                        | W.B. (°C) | kWt  | kWe  | kWt  | kWe  | kWt  | kWe  | kWt  | kWe  | kWt  | kWe  | kWt  | kWe  |
| 100%                                    | -13,7                            | -15       | 17,2 | 5,75 | 17,1 | 5,95 | 17   | 6,16 | 17   | 6,27 | 17   | 6,37 | 17   | 6,57 |
|   | -11,8                            | -13       | 17,9 | 5,92 | 17,9 | 6,11 | 17,8 | 6,31 | 17,8 | 6,41 | 17,8 | 6,51 | 17,7 | 6,7  |
|   | -9,8                             | -11       | 18,7 | 6,08 | 18,7 | 6,27 | 18,7 | 6,45 | 18,7 | 6,55 | 18,6 | 6,64 | 18,6 | 6,83 |
|   | -9,5                             | -10       | 19,2 | 6,16 | 19,1 | 6,34 | 19,1 | 6,53 | 19,1 | 6,62 | 19,1 | 6,71 | 19   | 6,9  |
|   | -8,5                             | -9,1      | 19,6 | 6,23 | 19,5 | 6,41 | 19,5 | 6,59 | 19,5 | 6,68 | 19,4 | 6,77 | 19,4 | 6,95 |
|   | -7                               | -7,6      | 20,3 | 6,35 | 20,3 | 6,53 | 20,2 | 6,7  | 20,2 | 6,79 | 20,2 | 6,87 | 20,1 | 7,05 |
|   | -5                               | -5,6      | 21,4 | 6,51 | 21,3 | 6,67 | 21,3 | 6,84 | 21,2 | 6,92 | 21,2 | 7    | 21,2 | 7,17 |
|   | -3                               | -3,7      | 22,4 | 6,66 | 22,4 | 6,05 | 22,3 | 6,97 | 22,3 | 7,05 | 22,3 | 7,13 | 21,4 | 6,83 |
|   | 0                                | -0,7      | 24,2 | 6,87 | 24,2 | 7,02 | 24,1 | 7,16 | 23,7 | 7,05 | 22,9 | 6,76 | 21,4 | 6,2  |
|   | 3                                | 2,2       | 26,1 | 7,07 | 26,1 | 7,2  | 24,5 | 6,67 | 23,7 | 6,41 | 22,9 | 6,15 | 21,4 | 5,65 |
|   | 5                                | 4,1       | 27,5 | 7,2  | 26,1 | 6,77 | 24,5 | 6,27 | 23,7 | 6,03 | 22,9 | 5,79 | 21,4 | 5,33 |
|   | 7                                | 6         | 27,6 | 6,83 | 26,1 | 6,36 | 24,5 | 5,9  | 23,7 | 5,68 | 22,9 | 5,46 | 21,4 | 5,02 |
|   | 9                                | 7,9       | 27,6 | 6,42 | 26,1 | 5,98 | 24,5 | 5,56 | 23,7 | 5,28 | 22,9 | 5,14 | 21,4 | 4,74 |
|   | 11                               | 9,8       | 27,6 | 6,05 | 26,1 | 5,64 | 24,5 | 5,24 | 23,7 | 5,04 | 22,9 | 4,85 | 21,4 | 4,47 |
|   | 13                               | 11,8      | 27,6 | 5,68 | 26,1 | 5,3  | 24,5 | 4,93 | 23,7 | 4,75 | 22,9 | 4,57 | 21,4 | 4,22 |
| 15                                      | 13,7                             | 27,6      | 5,36 | 26,1 | 5    | 24,5 | 4,66 | 23,7 | 4,49 | 22,9 | 4,32 | 21,4 | 4    |      |
| 90%                                     | -13,7                            | -15       | 17,1 | 6,11 | 17   | 6,3  | 17   | 6,48 | 16,9 | 6,57 | 16,9 | 6,67 | 16,9 | 6,85 |
|   | -11,8                            | -13       | 17,8 | 6,26 | 17,8 | 6,44 | 17,7 | 6,61 | 17,7 | 6,7  | 17,7 | 6,79 | 17,6 | 6,97 |
|   | -9,8                             | -11       | 18,6 | 6,41 | 18,6 | 6,57 | 18,6 | 6,74 | 18,6 | 6,83 | 18,6 | 6,92 | 18,5 | 7,09 |
|   | -9,5                             | -10       | 19,1 | 6,48 | 19   | 6,65 | 19   | 6,81 | 18,9 | 6,9  | 18,9 | 6,98 | 18,9 | 7,14 |
|   | -8,5                             | -9,1      | 19,5 | 6,55 | 19,5 | 6,71 | 19,4 | 6,87 | 19,4 | 6,95 | 19,4 | 7,03 | 19,2 | 7,1  |
|   | -7                               | -7,6      | 20,2 | 6,66 | 20,2 | 6,81 | 20,1 | 6,97 | 20,1 | 7,05 | 20,1 | 7,13 | 19,2 | 6,78 |
|   | -5                               | -5,6      | 21,3 | 6,8  | 21,2 | 6,95 | 21,2 | 7,1  | 21,1 | 7,17 | 20,6 | 6,95 | 19,2 | 6,37 |
|   | -3                               | -3,7      | 22,3 | 6,93 | 22,3 | 7,07 | 22,1 | 7,1  | 21,3 | 6,82 | 20,6 | 6,54 | 19,2 | 6,01 |
|   | 0                                | -0,7      | 24,1 | 7,13 | 23,4 | 6,96 | 22,1 | 6,44 | 21,3 | 6,19 | 20,6 | 5,95 | 19,2 | 5,46 |
|   | 3                                | 2,2       | 24,8 | 6,8  | 23,4 | 6,33 | 22,1 | 5,87 | 21,3 | 5,65 | 20,6 | 5,42 | 19,2 | 5    |
|   | 5                                | 4,1       | 24,8 | 6,39 | 23,4 | 5,95 | 22,1 | 5,53 | 21,3 | 5,32 | 20,6 | 5,12 | 19,2 | 4,71 |
|   | 7                                | 6         | 24,8 | 6,01 | 23,4 | 5,61 | 22,1 | 5,21 | 21,3 | 5,02 | 20,6 | 4,83 | 19,2 | 4,45 |
|   | 9                                | 7,9       | 24,8 | 5,66 | 23,4 | 5,28 | 22,1 | 4,91 | 21,3 | 4,74 | 20,6 | 4,56 | 19,2 | 4,21 |
|   | 11                               | 9,8       | 24,8 | 5,33 | 23,4 | 4,98 | 22,1 | 4,64 | 21,3 | 4,47 | 20,6 | 4,31 | 19,2 | 3,98 |
|   | 13                               | 11,8      | 24,8 | 5,02 | 23,4 | 4,7  | 22,1 | 4,38 | 21,3 | 4,22 | 20,6 | 4,07 | 19,2 | 3,76 |
| 15                                      | 13,7                             | 24,8      | 4,74 | 23,4 | 4,44 | 22,1 | 4,15 | 21,3 | 4    | 20,6 | 3,85 | 19,2 | 3,57 |      |
| 80%                                     | -13,7                            | -15       | 17   | 6,47 | 17   | 6,64 | 17   | 6,8  | 17   | 6,88 | 16,9 | 6,96 | 16,9 | 7,13 |
|   | -11,8                            | -13       | 17,7 | 6,6  | 17,7 | 6,77 | 17,7 | 6,92 | 17,7 | 7    | 17,7 | 7,08 | 17,1 | 6,89 |
|   | -9,8                             | -11       | 18,6 | 6,73 | 18,6 | 6,89 | 18,5 | 7,04 | 18,5 | 7,11 | 18,4 | 7,09 | 17,1 | 6,51 |
|   | -9,5                             | -10       | 19,1 | 6,8  | 19   | 6,95 | 19   | 7,09 | 19   | 7,17 | 18,4 | 6,89 | 17,1 | 6,31 |
|   | -8,5                             | -9,1      | 19,4 | 6,87 | 18,1 | 7,01 | 19,4 | 7,15 | 19   | 6,99 | 18,4 | 6,7  | 17,1 | 6,15 |
|   | -7                               | -7,6      | 20,1 | 6,96 | 20,1 | 7,1  | 19,6 | 6,95 | 19   | 6,67 | 18,4 | 6,41 | 17,1 | 5,88 |
|   | -5                               | -5,6      | 21,2 | 7,09 | 20,8 | 7,05 | 19,6 | 6,53 | 19   | 6,28 | 18,4 | 6,02 | 17,1 | 5,53 |
|   | -3                               | -3,7      | 22,1 | 7,13 | 20,8 | 6,64 | 19,6 | 6,15 | 19   | 5,92 | 18,4 | 5,68 | 17,1 | 5,23 |
|   | 0                                | -0,7      | 22,1 | 6,47 | 20,8 | 6,02 | 19,6 | 5,59 | 19   | 5,39 | 18,4 | 5,17 | 17,1 | 4,77 |
|   | 3                                | 2,2       | 22,1 | 5,89 | 20,8 | 5,49 | 19,6 | 5,11 | 19   | 4,92 | 18,4 | 4,74 | 17,1 | 4,37 |
|   | 5                                | 4,1       | 22,1 | 5,55 | 20,8 | 5,18 | 19,6 | 4,82 | 19   | 4,64 | 18,4 | 4,47 | 17,1 | 4,13 |
|   | 7                                | 6         | 22,1 | 5,23 | 20,8 | 4,89 | 19,6 | 4,55 | 19   | 4,39 | 18,4 | 4,23 | 17,1 | 3,91 |
|   | 9                                | 7,9       | 22,1 | 4,93 | 20,8 | 4,61 | 19,6 | 4,3  | 19   | 4,15 | 18,4 | 4    | 17,1 | 3,7  |
|   | 11                               | 9,8       | 22,1 | 4,66 | 20,8 | 4,36 | 19,6 | 4,07 | 19   | 3,92 | 18,4 | 3,78 | 17,1 | 3,51 |
|   | 13                               | 11,8      | 22,1 | 4,39 | 20,8 | 4,11 | 19,6 | 3,85 | 19   | 3,71 | 18,4 | 3,58 | 17,1 | 3,32 |
| 15                                      | 13,7                             | 22,1      | 4,15 | 20,8 | 3,9  | 19,6 | 3,65 | 19   | 3,52 | 18,4 | 3,39 | 17,1 | 3,16 |      |

kWt = Heating capacity [kW]  
 kWe = Compressor + Fan power input [kW]  
 DB=Dry bulb  
 WB=Wet bulb

# Performance in Heating

## MSAN-XMi 224T

| Indoor/<br>Outdoor<br>Capacity<br>Ratio | Indoor air temperature D.B. (°C) |           |      |      |      |      |      |      |      |      |      |      |      |      |
|---|----------------------------------|-----------|------|------|------|------|------|------|------|------|------|------|------|------|
|   | Outdoor air temperature (°C)     |           | 16   |      | 18   |      | 20   |      | 21   |      | 22   |      | 24   |      |
|   | D.B. (°C)                        | W.B. (°C) | kWt  | kWe  | kWt  | kWe  | kWt  | kWe  | kWt  | kWe  | kWt  | kWe  | kWt  | kWe  |
| 70%                                     | -13,7                            | -15       | 16,9 | 6,83 | 16,8 | 6,98 | 16,8 | 7,13 | 16,5 | 7,02 | 16   | 6,73 | 14,9 | 6,18 |
|   | -11,8                            | -13       | 17,6 | 6,95 | 17,6 | 7,09 | 17,2 | 6,92 | 16,5 | 6,65 | 16   | 6,38 | 14,9 | 5,85 |
|   | -9,8                             | -11       | 18,5 | 7,06 | 18,2 | 7,06 | 17,2 | 6,54 | 16,5 | 6,28 | 16   | 6,03 | 14,9 | 5,54 |
|   | -9,5                             | -10       | 18,9 | 7,13 | 18,2 | 6,85 | 17,2 | 6,34 | 16,5 | 6,1  | 16   | 5,86 | 14,9 | 5,39 |
|   | -8,5                             | -9,1      | 19,3 | 7,16 | 18,2 | 6,67 | 17,2 | 6,18 | 16,5 | 5,94 | 16   | 5,71 | 14,9 | 5,25 |
|   | -7                               | -7,6      | 19,3 | 6,84 | 18,2 | 6,37 | 17,2 | 5,91 | 16,5 | 5,69 | 16   | 5,46 | 14,9 | 5,03 |
|   | -5                               | -5,6      | 19,3 | 6,43 | 18,2 | 5,99 | 17,2 | 5,56 | 16,5 | 5,35 | 16   | 6,32 | 14,9 | 4,74 |
|   | -3                               | -3,7      | 19,3 | 6,05 | 18,2 | 5,65 | 17,2 | 5,25 | 16,5 | 5,05 | 16   | 4,86 | 14,9 | 4,48 |
|   | 0                                | -0,7      | 19,3 | 5,51 | 18,2 | 5,15 | 17,2 | 4,79 | 16,5 | 4,61 | 16   | 4,44 | 14,9 | 4,11 |
|   | 3                                | 2,2       | 19,3 | 5,03 | 18,2 | 4,71 | 17,2 | 4,39 | 16,5 | 4,23 | 16   | 4,08 | 14,9 | 3,77 |
|   | 5                                | 4,1       | 19,3 | 4,75 | 18,2 | 4,44 | 17,2 | 4,15 | 16,5 | 4    | 16   | 3,85 | 14,9 | 3,57 |
|   | 7                                | 6         | 19,3 | 4,49 | 18,2 | 4,21 | 17,2 | 3,92 | 16,5 | 3,78 | 16   | 3,65 | 14,9 | 3,39 |
|   | 9                                | 7,9       | 19,3 | 4,24 | 18,2 | 3,98 | 17,2 | 3,72 | 16,5 | 3,59 | 16   | 3,46 | 14,9 | 3,21 |
|   | 11                               | 9,8       | 19,3 | 4,01 | 18,2 | 3,76 | 17,2 | 3,52 | 16,5 | 3,4  | 16   | 3,29 | 14,9 | 3,05 |
|   | 13                               | 11,8      | 19,3 | 3,79 | 18,2 | 3,56 | 17,2 | 3,33 | 16,5 | 3,23 | 16   | 3,11 | 14,9 | 2,9  |
| 15                                      | 13,7                             | 19,3      | 3,59 | 18,2 | 3,38 | 17,2 | 3,16 | 16,5 | 3,06 | 16   | 2,96 | 14,9 | 2,76 |      |
| 60%                                     | -13,7                            | -15       | 16,6 | 7,02 | 15,6 | 6,53 | 14,7 | 6,05 | 14,2 | 5,82 | 13,8 | 5,59 | 12,8 | 5,14 |
|   | -11,8                            | -13       | 16,6 | 6,64 | 15,6 | 6,18 | 14,7 | 5,74 | 14,2 | 5,52 | 13,8 | 5,31 | 12,8 | 4,91 |
|   | -9,8                             | -11       | 16,6 | 6,28 | 15,6 | 5,85 | 14,7 | 5,43 | 14,2 | 5,23 | 13,8 | 5,03 | 12,8 | 4,64 |
|   | -9,5                             | -10       | 16,6 | 6,1  | 15,6 | 5,69 | 14,7 | 5,28 | 14,2 | 5,09 | 13,8 | 4,89 | 12,8 | 4,51 |
|   | -8,5                             | -9,1      | 16,6 | 5,94 | 15,6 | 5,54 | 14,7 | 5,15 | 14,2 | 4,96 | 13,8 | 4,77 | 12,8 | 4,4  |
|   | -7                               | -7,6      | 16,6 | 5,68 | 15,6 | 5,3  | 14,7 | 4,93 | 14,2 | 4,75 | 13,8 | 4,57 | 12,8 | 4,22 |
|   | -5                               | -5,6      | 16,6 | 5,35 | 15,6 | 5    | 14,7 | 4,65 | 14,2 | 4,48 | 13,8 | 4,31 | 12,8 | 3,99 |
|   | -3                               | -3,7      | 16,6 | 5,05 | 15,6 | 4,72 | 14,7 | 4,4  | 14,2 | 4,24 | 13,8 | 4,08 | 12,8 | 3,78 |
|   | 0                                | -0,7      | 16,6 | 4,61 | 15,6 | 4,32 | 14,7 | 4,03 | 14,2 | 3,89 | 13,8 | 3,75 | 12,8 | 3,47 |
|   | 3                                | 2,2       | 16,6 | 4,23 | 15,6 | 3,97 | 14,7 | 3,71 | 14,2 | 3,58 | 13,8 | 3,46 | 12,8 | 3,2  |
|   | 5                                | 4,1       | 16,6 | 4    | 15,6 | 3,75 | 14,7 | 3,51 | 14,2 | 3,39 | 13,8 | 3,27 | 12,8 | 3,04 |
|   | 7                                | 6         | 16,6 | 3,78 | 15,6 | 3,56 | 14,7 | 3,33 | 14,2 | 3,22 | 13,8 | 3,11 | 12,8 | 2,89 |
|   | 9                                | 7,9       | 16,6 | 3,59 | 15,6 | 3,37 | 14,7 | 3,16 | 14,2 | 3,06 | 13,8 | 2,95 | 12,8 | 2,75 |
|   | 11                               | 9,8       | 16,6 | 3,4  | 15,6 | 3,2  | 14,7 | 3    | 14,2 | 2,9  | 13,8 | 2,8  | 12,8 | 2,62 |
|   | 13                               | 11,8      | 16,6 | 3,22 | 15,6 | 3,03 | 14,7 | 2,85 | 14,2 | 2,76 | 13,8 | 2,67 | 12,8 | 2,49 |
| 15                                      | 13,7                             | 16,6      | 3,06 | 15,6 | 2,88 | 14,7 | 2,71 | 14,2 | 2,63 | 13,8 | 2,54 | 12,8 | 2,38 |      |
| 50%                                     | -13,7                            | -15       | 13,8 | 5,62 | 13   | 5,25 | 12,3 | 4,88 | 11,8 | 4,7  | 11,4 | 4,53 | 10,6 | 4,18 |
|   | -11,8                            | -13       | 13,8 | 5,34 | 13   | 4,99 | 12,3 | 4,64 | 11,8 | 4,47 | 11,4 | 4,31 | 10,6 | 3,98 |
|   | -9,8                             | -11       | 13,8 | 5,06 | 13   | 4,73 | 12,3 | 4,41 | 11,8 | 4,24 | 11,4 | 4,09 | 10,6 | 3,78 |
|   | -9,5                             | -10       | 13,8 | 4,92 | 13   | 4,6  | 12,3 | 4,29 | 11,8 | 4,14 | 11,4 | 3,98 | 10,6 | 3,69 |
|   | -8,5                             | -9,1      | 13,8 | 4,8  | 13   | 4,49 | 12,3 | 4,18 | 11,8 | 4,04 | 11,4 | 3,89 | 10,6 | 3,6  |
|   | -7                               | -7,6      | 13,8 | 4,6  | 13   | 4,31 | 12,3 | 4,01 | 11,8 | 3,88 | 11,4 | 3,74 | 10,6 | 3,46 |
|   | -5                               | -5,6      | 13,8 | 4,34 | 13   | 4,07 | 12,3 | 3,8  | 11,8 | 3,67 | 11,4 | 3,54 | 10,6 | 3,28 |
|   | -3                               | -3,7      | 13,8 | 4,11 | 13   | 3,85 | 12,3 | 3,6  | 11,8 | 3,48 | 11,4 | 3,36 | 10,6 | 3,12 |
|   | 0                                | -0,7      | 13,8 | 3,77 | 13   | 3,54 | 12,3 | 3,32 | 11,8 | 3,2  | 11,4 | 3,1  | 10,6 | 2,88 |
|   | 3                                | 2,2       | 13,8 | 3,47 | 13   | 3,26 | 12,3 | 3,06 | 11,8 | 2,96 | 11,4 | 2,86 | 10,6 | 2,67 |
|   | 5                                | 4,1       | 13,8 | 3,29 | 13   | 3,1  | 12,3 | 2,9  | 11,8 | 2,81 | 11,4 | 2,72 | 10,6 | 2,54 |
|   | 7                                | 6         | 13,8 | 3,13 | 13   | 2,94 | 12,3 | 2,77 | 11,8 | 2,67 | 11,4 | 2,59 | 10,6 | 2,42 |
|   | 9                                | 7,9       | 13,8 | 2,97 | 13   | 2,8  | 12,3 | 2,63 | 11,8 | 2,55 | 11,4 | 2,47 | 10,6 | 2,31 |
|   | 11                               | 9,8       | 13,8 | 2,82 | 13   | 2,66 | 12,3 | 2,51 | 11,8 | 2,43 | 11,4 | 2,35 | 10,6 | 2,2  |
|   | 13                               | 11,8      | 13,8 | 2,68 | 13   | 2,53 | 12,3 | 2,38 | 11,8 | 2,31 | 11,4 | 2,24 | 10,6 | 2,1  |
| 15                                      | 13,7                             | 13,8      | 2,55 | 13   | 2,41 | 12,3 | 2,28 | 11,8 | 2,21 | 11,4 | 2,14 | 10,6 | 2,01 |      |

kWt = Heating capacity [kW]  
 kWe = Compressor + Fan power input [kW]  
 DB=Dry bulb  
 WB=Wet bulb

Notes: It is recommended to have system with Indoor/Outdoor Capacity Ratio less than 130%  
 Avoid running the unit in heating mode when outdoor air temperature is below -20°C  
 The above capacity tables show the average values in operating condition

# Performance in Heating

## MSAN-XMi 260T

| Indoor/<br>Outdoor<br>Capacity<br>Ratio | Indoor air temperature D.B. (°C) |           |      |      |      |      |      |      |      |      |      |      |      |      |
|---|----------------------------------|-----------|------|------|------|------|------|------|------|------|------|------|------|------|
|   | Outdoor air temperature (°C)     |           | 16   |      | 18   |      | 20   |      | 21   |      | 22   |      | 24   |      |
|   | D.B. (°C)                        | W.B. (°C) | kWt  | kWe  | kWt  | kWe  | kWt  | kWe  | kWt  | kWe  | kWt  | kWe  | kWt  | kWe  |
| 130%                                    | -13,7                            | -15       | 20,3 | 5,71 | 20,2 | 6,04 | 20,1 | 6,37 | 20,1 | 6,53 | 20   | 6,69 | 20   | 7,02 |
|   | -11,8                            | -13       | 21,1 | 5,96 | 21,1 | 6,28 | 21   | 6,59 | 20,9 | 6,75 | 20,9 | 6,91 | 20,8 | 7,22 |
|   | -9,8                             | -11       | 22,1 | 6,23 | 22   | 6,53 | 21,9 | 6,83 | 21,9 | 6,98 | 21,9 | 7,13 | 21,8 | 7,43 |
|   | -9,5                             | -10       | 22,6 | 6,36 | 22,5 | 6,65 | 22,4 | 6,94 | 22,4 | 7,09 | 22,3 | 7,23 | 22,3 | 7,52 |
|   | -8,5                             | -9,1      | 23,1 | 6,47 | 23   | 6,75 | 23   | 7,04 | 22,9 | 7,18 | 22,9 | 7,32 | 22,8 | 7,61 |
|   | -7                               | -7,6      | 23,9 | 6,66 | 23,9 | 6,94 | 23,8 | 7,21 | 23,8 | 7,35 | 23,7 | 7,48 | 23,6 | 7,76 |
|   | -5                               | -5,6      | 25,2 | 6,91 | 25,1 | 7,17 | 25   | 7,44 | 25   | 7,57 | 24,9 | 7,69 | 24,9 | 7,95 |
|   | -3                               | -3,7      | 26,3 | 7,14 | 26,2 | 7,39 | 26,2 | 7,63 | 26,1 | 7,76 | 26,1 | 7,89 | 26,1 | 8,13 |
|   | 0                                | -0,7      | 28,4 | 7,48 | 28,4 | 7,72 | 28,3 | 7,94 | 28,3 | 8,03 | 28,2 | 8,18 | 28,2 | 8,4  |
|   | 3                                | 2,2       | 30,7 | 7,79 | 30,6 | 8,01 | 30,5 | 8,22 | 30,5 | 8,33 | 30,5 | 8,44 | 30,4 | 8,65 |
|   | 5                                | 4,1       | 32,2 | 7,99 | 32,1 | 8,2  | 32,1 | 8,39 | 32   | 8,49 | 32   | 8,6  | 31,9 | 8,8  |
|   | 7                                | 6         | 33,8 | 8,18 | 33,7 | 8,36 | 33,7 | 8,56 | 33,7 | 8,65 | 33,7 | 8,75 | 32,3 | 8,4  |
|   | 9                                | 7,9       | 35,6 | 8,35 | 35,5 | 8,53 | 35,5 | 8,71 | 35,4 | 8,8  | 34,7 | 8,62 | 32,3 | 7,89 |
|   | 11                               | 9,8       | 37,4 | 8,51 | 37,3 | 8,68 | 37,1 | 8,8  | 35,8 | 8,45 | 34,7 | 8,1  | 32,3 | 7,44 |
|   | 13                               | 11,8      | 39,4 | 8,67 | 39,3 | 8,84 | 37,1 | 8,24 | 35,8 | 7,91 | 34,7 | 7,6  | 32,3 | 6,98 |
| 15                                      | 13,7                             | 41,3      | 8,82 | 39,4 | 8,37 | 37,1 | 7,76 | 35,8 | 7,46 | 34,7 | 7,16 | 32,3 | 6,58 |      |
| 120%                                    | -13,7                            | -15       | 20,2 | 6,15 | 20,1 | 6,45 | 20   | 6,75 | 20   | 6,91 | 20   | 7,06 | 19,9 | 7,36 |
|   | -11,8                            | -13       | 21   | 6,39 | 21   | 6,68 | 20,9 | 6,97 | 20,9 | 7,12 | 20,8 | 7,26 | 20,8 | 7,55 |
|   | -9,8                             | -11       | 22   | 6,63 | 21,9 | 6,9  | 21,9 | 7,18 | 21,8 | 7,32 | 21,8 | 7,45 | 21,7 | 7,74 |
|   | -9,5                             | -10       | 22,5 | 6,75 | 22,4 | 7,02 | 22,3 | 7,29 | 22,3 | 7,43 | 22,3 | 7,56 | 22,3 | 7,83 |
|   | -8,5                             | -9,1      | 23   | 6,85 | 22,9 | 7,12 | 22,9 | 7,38 | 22,8 | 7,51 | 22,8 | 7,65 | 22,7 | 7,91 |
|   | -7                               | -7,6      | 23,8 | 7,03 | 23,8 | 7,29 | 23,7 | 7,54 | 23,7 | 7,67 | 23,6 | 7,79 | 23,6 | 8,05 |
|   | -5                               | -5,6      | 25,1 | 7,26 | 25   | 7,5  | 24,9 | 7,74 | 24,9 | 7,87 | 24,9 | 7,99 | 24,8 | 8,22 |
|   | -3                               | -3,7      | 26,2 | 7,47 | 26,2 | 7,71 | 26,1 | 7,93 | 26,1 | 8,05 | 26,1 | 8,17 | 26,1 | 8,39 |
|   | 0                                | -0,7      | 28,3 | 7,79 | 28,3 | 8,01 | 28,2 | 8,21 | 28,2 | 8,33 | 28,1 | 8,43 | 28,1 | 8,65 |
|   | 3                                | 2,2       | 30,6 | 8,08 | 30,5 | 8,28 | 30,5 | 8,48 | 30,4 | 8,58 | 30,4 | 8,67 | 29,8 | 8,63 |
|   | 5                                | 4,1       | 32,1 | 8,26 | 32   | 8,45 | 32   | 8,64 | 31,9 | 8,73 | 31,9 | 8,82 | 29,8 | 8,1  |
|   | 7                                | 6         | 33,7 | 8,43 | 33,7 | 8,61 | 33,7 | 8,79 | 33,1 | 8,66 | 32   | 8,31 | 29,8 | 7,62 |
|   | 9                                | 7,9       | 35,5 | 8,6  | 35,4 | 8,77 | 34,2 | 8,48 | 33,1 | 8,14 | 32   | 7,81 | 29,8 | 7,17 |
|   | 11                               | 9,8       | 37,3 | 8,75 | 36,4 | 8,6  | 34,2 | 7,97 | 33,1 | 7,66 | 32   | 7,35 | 29,8 | 6,76 |
|   | 13                               | 11,8      | 38,6 | 8,66 | 36,4 | 8,06 | 34,2 | 7,47 | 33,1 | 7,19 | 32   | 6,91 | 29,8 | 6,36 |
| 15                                      | 13,7                             | 38,6      | 8,16 | 36,4 | 7,6  | 34,2 | 7,05 | 33,1 | 6,78 | 32   | 6,52 | 29,8 | 6    |      |
| 110%                                    | -13,7                            | -15       | 20,1 | 6,59 | 20   | 6,87 | 19,9 | 7,14 | 19,9 | 7,29 | 19,9 | 7,43 | 19,8 | 7,7  |
|   | -11,8                            | -13       | 20,9 | 6,82 | 20,9 | 7,08 | 20,8 | 7,34 | 20,8 | 7,47 | 20,7 | 7,6  | 20,7 | 7,88 |
|   | -9,8                             | -11       | 21,9 | 7,03 | 21,8 | 7,29 | 21,8 | 7,54 | 21,7 | 7,67 | 21,7 | 7,79 | 21,7 | 8,05 |
|   | -9,5                             | -10       | 22,4 | 7,14 | 22,3 | 7,39 | 22,3 | 7,64 | 22,3 | 7,76 | 22,3 | 7,89 | 22,2 | 8,13 |
|   | -8,5                             | -9,1      | 22,9 | 7,24 | 22,8 | 7,48 | 22,8 | 7,73 | 22,7 | 7,85 | 22,7 | 7,97 | 22,7 | 7,27 |
|   | -7                               | -7,6      | 23,7 | 7,41 | 23,7 | 7,63 | 23,6 | 7,87 | 23,6 | 7,99 | 23,6 | 8,1  | 23,5 | 8,34 |
|   | -5                               | -5,6      | 25   | 7,61 | 24,9 | 7,84 | 24,8 | 8,05 | 24,8 | 8,17 | 24,8 | 8,28 | 24,7 | 8,51 |
|   | -3                               | -3,7      | 26,1 | 7,81 | 26,1 | 8,02 | 26,1 | 8,23 | 26,1 | 8,34 | 26   | 8,44 | 26   | 8,65 |
|   | 0                                | -0,7      | 28,2 | 8,1  | 28,2 | 8,3  | 28,1 | 8,5  | 28,1 | 8,59 | 28,1 | 8,69 | 27,3 | 8,52 |
|   | 3                                | 2,2       | 30,5 | 8,37 | 30,4 | 8,55 | 30,4 | 8,73 | 30,3 | 8,81 | 29,3 | 8,46 | 27,3 | 7,75 |
|   | 5                                | 4,1       | 32   | 8,53 | 32   | 8,71 | 31,4 | 8,63 | 30,3 | 8,28 | 29,3 | 7,95 | 27,3 | 7,3  |
|   | 7                                | 6         | 33,7 | 8,69 | 33,4 | 8,75 | 31,4 | 8,1  | 30,3 | 7,78 | 29,3 | 7,47 | 27,3 | 6,86 |
|   | 9                                | 7,9       | 35,4 | 8,83 | 33,4 | 8,22 | 31,4 | 7,62 | 30,3 | 7,32 | 29,3 | 7,03 | 27,3 | 6,47 |
|   | 11                               | 9,8       | 35,4 | 8,31 | 33,4 | 7,74 | 31,4 | 7,17 | 30,3 | 6,9  | 29,3 | 6,63 | 27,3 | 6,1  |
|   | 13                               | 11,8      | 35,4 | 7,79 | 33,4 | 7,26 | 31,4 | 6,74 | 30,3 | 6,49 | 29,3 | 6,24 | 27,3 | 5,75 |
| 15                                      | 13,7                             | 35,4      | 6,92 | 33,4 | 6,85 | 31,4 | 6,37 | 30,3 | 6,12 | 29,3 | 5,9  | 27,3 | 5,44 |      |

kWt = Heating capacity [kW]  
kWe = Compressor + Fan power input [kW]  
DB=Dry bulb  
WB=Wet bulb

# Performance in Heating

## MSAN-XMi 260T

| Indoor/<br>Outdoor<br>Capacity<br>Ratio | Indoor air temperature D.B. (°C) |           |      |      |      |      |      |      |      |      |      |      |      |      |
|---|----------------------------------|-----------|------|------|------|------|------|------|------|------|------|------|------|------|
|   | Outdoor air temperature (°C)     |           | 16   |      | 18   |      | 20   |      | 21   |      | 22   |      | 24   |      |
|   | D.B. (°C)                        | W.B. (°C) | kWt  | kWe  | kWt  | kWe  | kWt  | kWe  | kWt  | kWe  | kWt  | kWe  | kWt  | kWe  |
| 100%                                    | -13,7                            | -15       | 20   | 7,03 | 19,9 | 7,29 | 19,8 | 7,54 | 19,8 | 7,67 | 19,8 | 7,79 | 19,7 | 8,04 |
|   | -11,8                            | -13       | 20,8 | 7,24 | 20,8 | 7,47 | 20,7 | 7,72 | 20,7 | 7,84 | 20,7 | 7,96 | 20,6 | 8,2  |
|   | -9,8                             | -11       | 21,8 | 7,44 | 21,7 | 7,67 | 21,7 | 7,9  | 21,7 | 8,02 | 21,6 | 8,13 | 21,6 | 8,35 |
|   | -9,5                             | -10       | 22,3 | 7,54 | 22,3 | 7,76 | 22,3 | 7,99 | 22,2 | 8,1  | 22,2 | 8,21 | 22,1 | 8,44 |
|   | -8,5                             | -9,1      | 22,8 | 7,62 | 22,7 | 7,85 | 22,7 | 8,06 | 22,7 | 8,18 | 22,6 | 8,29 | 22,6 | 8,5  |
|   | -7                               | -7,6      | 23,6 | 7,77 | 23,6 | 7,99 | 23,5 | 8,2  | 23,5 | 8,31 | 23,5 | 8,41 | 23,4 | 8,63 |
|   | -5                               | -5,6      | 24,9 | 7,97 | 24,8 | 8,17 | 24,8 | 8,37 | 24,7 | 8,47 | 24,7 | 8,57 | 24,6 | 8,78 |
|   | -3                               | -3,7      | 26,1 | 8,15 | 26,1 | 7,4  | 26   | 8,53 | 26   | 8,63 | 26   | 8,72 | 24,9 | 8,35 |
|   | 0                                | -0,7      | 28,1 | 8,41 | 28,1 | 8,59 | 28   | 8,77 | 27,6 | 8,63 | 26,7 | 8,27 | 24,9 | 7,59 |
|   | 3                                | 2,2       | 30,4 | 8,65 | 30,3 | 8,81 | 28,5 | 8,16 | 27,6 | 7,84 | 26,7 | 7,53 | 24,9 | 6,91 |
|   | 5                                | 4,1       | 31,9 | 8,81 | 30,3 | 8,28 | 28,5 | 7,67 | 27,6 | 7,38 | 26,7 | 7,09 | 24,9 | 6,52 |
|   | 7                                | 6         | 32,1 | 8,36 | 30,3 | 7,78 | 28,5 | 7,22 | 27,6 | 6,95 | 26,7 | 6,68 | 24,9 | 6,14 |
|   | 9                                | 7,9       | 32,1 | 7,86 | 30,3 | 7,32 | 28,5 | 6,8  | 27,6 | 6,46 | 26,7 | 6,29 | 24,9 | 5,79 |
|   | 11                               | 9,8       | 32,1 | 7,4  | 30,3 | 6,9  | 28,5 | 6,41 | 27,6 | 6,17 | 26,7 | 5,94 | 24,9 | 5,48 |
|   | 13                               | 11,8      | 32,1 | 6,95 | 30,3 | 6,49 | 28,5 | 6,04 | 27,6 | 5,81 | 26,7 | 5,6  | 24,9 | 5,17 |
| 15                                      | 13,7                             | 32,1      | 6,55 | 30,3 | 6,12 | 28,5 | 5,7  | 27,6 | 5,49 | 26,7 | 5,29 | 24,9 | 4,89 |      |
| 90%                                     | -13,7                            | -15       | 19,9 | 7,48 | 19,8 | 7,71 | 19,8 | 7,93 | 19,7 | 8,04 | 19,7 | 8,16 | 19,7 | 8,38 |
|   | -11,8                            | -13       | 20,7 | 7,66 | 20,7 | 7,88 | 20,6 | 8,09 | 20,6 | 8,2  | 20,6 | 8,31 | 20,5 | 8,52 |
|   | -9,8                             | -11       | 21,7 | 7,84 | 21,7 | 8,05 | 21,6 | 8,25 | 21,6 | 8,35 | 21,6 | 8,47 | 21,5 | 8,67 |
|   | -9,5                             | -10       | 22,2 | 7,93 | 22,1 | 8,14 | 22,1 | 8,34 | 22   | 8,44 | 22   | 8,54 | 22   | 8,74 |
|   | -8,5                             | -9,1      | 22,7 | 8,02 | 22,7 | 8,21 | 22,6 | 8,41 | 22,6 | 8,5  | 22,6 | 8,61 | 22,3 | 8,69 |
|   | -7                               | -7,6      | 23,5 | 8,15 | 23,5 | 8,34 | 23,4 | 8,53 | 23,4 | 8,63 | 23,4 | 8,72 | 22,3 | 8,3  |
|   | -5                               | -5,6      | 24,7 | 8,33 | 24,7 | 8,5  | 24,7 | 8,68 | 24,6 | 8,78 | 23,9 | 8,5  | 22,3 | 7,8  |
|   | -3                               | -3,7      | 25,9 | 8,49 | 25,9 | 8,65 | 25,7 | 8,69 | 24,7 | 8,34 | 23,9 | 8,01 | 22,3 | 7,35 |
|   | 0                                | -0,7      | 28,1 | 8,73 | 27,3 | 8,51 | 25,7 | 7,89 | 24,7 | 7,58 | 23,9 | 7,28 | 22,3 | 6,69 |
|   | 3                                | 2,2       | 28,9 | 8,32 | 27,3 | 7,74 | 25,7 | 7,18 | 24,7 | 6,91 | 23,9 | 6,64 | 22,3 | 6,11 |
|   | 5                                | 4,1       | 28,9 | 7,82 | 27,3 | 7,29 | 25,7 | 6,77 | 24,7 | 6,51 | 23,9 | 6,26 | 22,3 | 5,77 |
|   | 7                                | 6         | 28,9 | 7,35 | 27,3 | 6,86 | 25,7 | 6,38 | 24,7 | 6,14 | 23,9 | 5,91 | 22,3 | 5,45 |
|   | 9                                | 7,9       | 28,9 | 6,93 | 27,3 | 6,46 | 25,7 | 6,01 | 24,7 | 5,79 | 23,9 | 5,58 | 22,3 | 5,15 |
|   | 11                               | 9,8       | 28,9 | 6,53 | 27,3 | 6,09 | 25,7 | 5,68 | 24,7 | 5,48 | 23,9 | 5,27 | 22,3 | 4,88 |
|   | 13                               | 11,8      | 28,9 | 6,14 | 27,3 | 5,75 | 25,7 | 5,35 | 24,7 | 5,17 | 23,9 | 4,98 | 22,3 | 4,6  |
| 15                                      | 13,7                             | 28,9      | 5,8  | 27,3 | 5,43 | 25,7 | 5,07 | 24,7 | 4,89 | 23,9 | 4,72 | 22,3 | 4,37 |      |
| 80%                                     | -13,7                            | -15       | 19,8 | 7,92 | 19,7 | 8,12 | 19,7 | 8,33 | 19,7 | 8,42 | 19,6 | 8,52 | 19,6 | 8,73 |
|   | -11,8                            | -13       | 20,6 | 8,08 | 20,6 | 8,28 | 20,5 | 8,47 | 20,5 | 8,56 | 20,5 | 8,66 | 19,9 | 8,43 |
|   | -9,8                             | -11       | 21,6 | 8,24 | 21,6 | 8,43 | 21,5 | 8,62 | 21,5 | 8,7  | 21,4 | 8,68 | 19,9 | 7,96 |
|   | -9,5                             | -10       | 22,2 | 8,33 | 22,1 | 8,5  | 22,1 | 8,68 | 22,1 | 8,78 | 21,4 | 8,43 | 19,9 | 7,73 |
|   | -8,5                             | -9,1      | 22,6 | 8,4  | 21   | 8,58 | 22,5 | 8,75 | 22,1 | 8,55 | 21,4 | 8,2  | 19,9 | 7,52 |
|   | -7                               | -7,6      | 23,4 | 8,52 | 23,4 | 8,69 | 22,8 | 8,5  | 22,1 | 8,17 | 21,4 | 7,84 | 19,9 | 7,19 |
|   | -5                               | -5,6      | 24,7 | 8,67 | 24,2 | 8,63 | 22,8 | 7,99 | 22,1 | 7,68 | 21,4 | 7,37 | 19,9 | 6,77 |
|   | -3                               | -3,7      | 25,7 | 8,72 | 24,2 | 8,12 | 22,8 | 7,52 | 22,1 | 7,24 | 21,4 | 6,95 | 19,9 | 6,39 |
|   | 0                                | -0,7      | 25,7 | 7,91 | 24,2 | 7,37 | 22,8 | 6,84 | 22,1 | 6,59 | 21,4 | 6,33 | 19,9 | 5,83 |
|   | 3                                | 2,2       | 25,7 | 7,21 | 24,2 | 6,72 | 22,8 | 6,25 | 22,1 | 6,02 | 21,4 | 5,79 | 19,9 | 5,34 |
|   | 5                                | 4,1       | 25,7 | 6,79 | 24,2 | 6,34 | 22,8 | 5,9  | 22,1 | 5,68 | 21,4 | 5,48 | 19,9 | 5,05 |
|   | 7                                | 6         | 25,7 | 6,39 | 24,2 | 5,98 | 22,8 | 5,57 | 22,1 | 5,37 | 21,4 | 5,18 | 19,9 | 4,78 |
|   | 9                                | 7,9       | 25,7 | 6,04 | 24,2 | 5,64 | 22,8 | 5,26 | 22,1 | 5,07 | 21,4 | 4,89 | 19,9 | 4,53 |
|   | 11                               | 9,8       | 25,7 | 5,7  | 24,2 | 5,34 | 22,8 | 4,98 | 22,1 | 4,8  | 21,4 | 4,63 | 19,9 | 4,29 |
|   | 13                               | 11,8      | 25,7 | 5,37 | 24,2 | 5,03 | 22,8 | 4,71 | 22,1 | 4,54 | 21,4 | 4,38 | 19,9 | 4,06 |
| 15                                      | 13,7                             | 25,7      | 5,08 | 24,2 | 4,77 | 22,8 | 4,46 | 22,1 | 4,3  | 21,4 | 4,15 | 19,9 | 3,86 |      |

kWt = Heating capacity [kW]  
 kWe = Compressor + Fan power input [kW]  
 DB=Dry bulb  
 WB=Wet bulb

# Performance in Heating

## MSAN-XMi 260T

| Indoor/<br>Outdoor<br>Capacity<br>Ratio | Indoor air temperature D.B. (°C) |           |      |      |      |      |      |      |      |      |      |      |      |      |
|---|----------------------------------|-----------|------|------|------|------|------|------|------|------|------|------|------|------|
|   | Outdoor air temperature (°C)     |           | 16   |      | 18   |      | 20   |      | 21   |      | 22   |      | 24   |      |
|   | D.B. (°C)                        | W.B. (°C) | kWt  | kWe  | kWt  | kWe  | kWt  | kWe  | kWt  | kWe  | kWt  | kWe  | kWt  | kWe  |
| 70%                                     | -13,7                            | -15       | 19,7 | 8,36 | 19,6 | 8,54 | 19,6 | 8,72 | 19,2 | 8,59 | 18,6 | 8,24 | 17,3 | 7,56 |
|   | -11,8                            | -13       | 20,5 | 8,5  | 20,5 | 8,67 | 20   | 8,47 | 19,2 | 8,14 | 18,6 | 7,81 | 17,3 | 7,16 |
|   | -9,8                             | -11       | 21,5 | 8,64 | 21,2 | 8,64 | 20   | 8    | 19,2 | 7,69 | 18,6 | 7,38 | 17,3 | 6,78 |
|   | -9,5                             | -10       | 22   | 8,72 | 21,2 | 8,38 | 20   | 7,76 | 19,2 | 7,46 | 18,6 | 7,17 | 17,3 | 6,59 |
|   | -8,5                             | -9,1      | 22,5 | 8,77 | 21,2 | 8,16 | 20   | 7,56 | 19,2 | 7,27 | 18,6 | 6,99 | 17,3 | 6,42 |
|   | -7                               | -7,6      | 22,5 | 8,37 | 21,2 | 7,79 | 20   | 7,23 | 19,2 | 6,96 | 18,6 | 6,69 | 17,3 | 6,15 |
|   | -5                               | -5,6      | 22,5 | 7,87 | 21,2 | 7,33 | 20   | 6,81 | 19,2 | 6,54 | 18,6 | 7,73 | 17,3 | 5,8  |
|   | -3                               | -3,7      | 22,5 | 7,41 | 21,2 | 6,91 | 20   | 6,42 | 19,2 | 6,18 | 18,6 | 5,94 | 17,3 | 5,49 |
|   | 0                                | -0,7      | 22,5 | 6,74 | 21,2 | 6,3  | 20   | 5,86 | 19,2 | 5,64 | 18,6 | 5,44 | 17,3 | 5,03 |
|   | 3                                | 2,2       | 22,5 | 6,16 | 21,2 | 5,77 | 20   | 5,37 | 19,2 | 5,18 | 18,6 | 4,99 | 17,3 | 4,61 |
|   | 5                                | 4,1       | 22,5 | 5,81 | 21,2 | 5,44 | 20   | 5,08 | 19,2 | 4,89 | 18,6 | 4,72 | 17,3 | 4,37 |
|   | 7                                | 6         | 22,5 | 5,49 | 21,2 | 5,15 | 20   | 4,8  | 19,2 | 4,63 | 18,6 | 4,47 | 17,3 | 4,14 |
|   | 9                                | 7,9       | 22,5 | 5,19 | 21,2 | 4,87 | 20   | 4,55 | 19,2 | 4,39 | 18,6 | 4,24 | 17,3 | 3,93 |
|   | 11                               | 9,8       | 22,5 | 4,91 | 21,2 | 4,6  | 20   | 4,31 | 19,2 | 4,16 | 18,6 | 4,02 | 17,3 | 3,73 |
|   | 13                               | 11,8      | 22,5 | 4,64 | 21,2 | 4,36 | 20   | 4,08 | 19,2 | 3,95 | 18,6 | 3,81 | 17,3 | 3,54 |
| 15                                      | 13,7                             | 22,5      | 4,4  | 21,2 | 4,13 | 20   | 3,87 | 19,2 | 3,75 | 18,6 | 3,62 | 17,3 | 3,38 |      |
| 60%                                     | -13,7                            | -15       | 19,3 | 8,59 | 18,2 | 7,99 | 17,1 | 7,41 | 16,6 | 7,13 | 16   | 6,84 | 14,9 | 6,29 |
|   | -11,8                            | -13       | 19,3 | 8,13 | 18,2 | 7,57 | 17,1 | 7,02 | 16,6 | 6,76 | 16   | 6,5  | 14,9 | 6,01 |
|   | -9,8                             | -11       | 19,3 | 7,68 | 18,2 | 7,15 | 17,1 | 6,65 | 16,6 | 6,39 | 16   | 6,15 | 14,9 | 5,67 |
|   | -9,5                             | -10       | 19,3 | 7,46 | 18,2 | 6,96 | 17,1 | 6,46 | 16,6 | 6,23 | 16   | 5,98 | 14,9 | 5,51 |
|   | -8,5                             | -9,1      | 19,3 | 7,27 | 18,2 | 6,78 | 17,1 | 6,3  | 16,6 | 6,07 | 16   | 5,83 | 14,9 | 5,38 |
|   | -7                               | -7,6      | 19,3 | 6,95 | 18,2 | 6,49 | 17,1 | 6,03 | 16,6 | 5,81 | 16   | 5,59 | 14,9 | 5,17 |
|   | -5                               | -5,6      | 19,3 | 6,54 | 18,2 | 6,11 | 17,1 | 5,69 | 16,6 | 5,48 | 16   | 5,28 | 14,9 | 4,89 |
|   | -3                               | -3,7      | 19,3 | 6,18 | 18,2 | 5,78 | 17,1 | 5,38 | 16,6 | 5,19 | 16   | 5    | 14,9 | 4,62 |
|   | 0                                | -0,7      | 19,3 | 5,64 | 18,2 | 5,29 | 17,1 | 4,93 | 16,6 | 4,76 | 16   | 4,58 | 14,9 | 4,25 |
|   | 3                                | 2,2       | 19,3 | 5,18 | 18,2 | 4,86 | 17,1 | 4,54 | 16,6 | 4,38 | 16   | 4,23 | 14,9 | 3,92 |
|   | 5                                | 4,1       | 19,3 | 4,89 | 18,2 | 4,59 | 17,1 | 4,29 | 16,6 | 4,15 | 16   | 4    | 14,9 | 3,72 |
|   | 7                                | 6         | 19,3 | 4,63 | 18,2 | 4,35 | 17,1 | 4,07 | 16,6 | 3,94 | 16   | 3,81 | 14,9 | 3,53 |
|   | 9                                | 7,9       | 19,3 | 4,39 | 18,2 | 4,13 | 17,1 | 3,86 | 16,6 | 3,74 | 16   | 3,61 | 14,9 | 3,37 |
|   | 11                               | 9,8       | 19,3 | 4,16 | 18,2 | 3,92 | 17,1 | 3,68 | 16,6 | 3,55 | 16   | 3,43 | 14,9 | 3,21 |
|   | 13                               | 11,8      | 19,3 | 3,94 | 18,2 | 3,71 | 17,1 | 3,49 | 16,6 | 3,38 | 16   | 3,26 | 14,9 | 3,05 |
| 15                                      | 13,7                             | 19,3      | 3,75 | 18,2 | 3,53 | 17,1 | 3,32 | 16,6 | 3,22 | 16   | 3,11 | 14,9 | 2,91 |      |
| 50%                                     | -13,7                            | -15       | 16,1 | 6,88 | 15,2 | 6,42 | 14,3 | 5,97 | 13,7 | 5,76 | 13,3 | 5,54 | 12,4 | 5,12 |
|   | -11,8                            | -13       | 16,1 | 6,53 | 15,2 | 6,1  | 14,3 | 5,68 | 13,7 | 5,48 | 13,3 | 5,27 | 12,4 | 4,88 |
|   | -9,8                             | -11       | 16,1 | 6,19 | 15,2 | 5,78 | 14,3 | 5,39 | 13,7 | 5,19 | 13,3 | 5,01 | 12,4 | 4,63 |
|   | -9,5                             | -10       | 16,1 | 6,02 | 15,2 | 5,63 | 14,3 | 5,25 | 13,7 | 5,06 | 13,3 | 4,88 | 12,4 | 4,51 |
|   | -8,5                             | -9,1      | 16,1 | 5,87 | 15,2 | 5,49 | 14,3 | 5,12 | 13,7 | 4,94 | 13,3 | 4,76 | 12,4 | 4,41 |
|   | -7                               | -7,6      | 16,1 | 5,63 | 15,2 | 5,27 | 14,3 | 4,91 | 13,7 | 4,74 | 13,3 | 4,58 | 12,4 | 4,24 |
|   | -5                               | -5,6      | 16,1 | 5,31 | 15,2 | 4,98 | 14,3 | 4,65 | 13,7 | 4,49 | 13,3 | 4,33 | 12,4 | 4,01 |
|   | -3                               | -3,7      | 16,1 | 5,03 | 15,2 | 4,72 | 14,3 | 4,41 | 13,7 | 4,26 | 13,3 | 4,11 | 12,4 | 3,82 |
|   | 0                                | -0,7      | 16,1 | 4,61 | 15,2 | 4,33 | 14,3 | 4,06 | 13,7 | 3,92 | 13,3 | 3,79 | 12,4 | 3,53 |
|   | 3                                | 2,2       | 16,1 | 4,25 | 15,2 | 3,99 | 14,3 | 3,74 | 13,7 | 3,62 | 13,3 | 3,5  | 12,4 | 3,26 |
|   | 5                                | 4,1       | 16,1 | 4,03 | 15,2 | 3,79 | 14,3 | 3,55 | 13,7 | 3,44 | 13,3 | 3,33 | 12,4 | 3,1  |
|   | 7                                | 6         | 16,1 | 3,83 | 15,2 | 3,6  | 14,3 | 3,38 | 13,7 | 3,27 | 13,3 | 3,17 | 12,4 | 2,96 |
|   | 9                                | 7,9       | 16,1 | 3,63 | 15,2 | 3,42 | 14,3 | 3,22 | 13,7 | 3,12 | 13,3 | 3,02 | 12,4 | 2,82 |
|   | 11                               | 9,8       | 16,1 | 3,45 | 15,2 | 3,25 | 14,3 | 3,07 | 13,7 | 2,97 | 13,3 | 2,88 | 12,4 | 2,69 |
|   | 13                               | 11,8      | 16,1 | 3,28 | 15,2 | 3,09 | 14,3 | 2,92 | 13,7 | 2,83 | 13,3 | 2,74 | 12,4 | 2,57 |
| 15                                      | 13,7                             | 16,1      | 3,12 | 15,2 | 2,95 | 14,3 | 2,78 | 13,7 | 2,7  | 13,3 | 2,62 | 12,4 | 2,46 |      |

kWt = Heating capacity [kW]  
kWe = Compressor + Fan power input [kW]  
DB=Dry bulb  
WB=Wet bulb

Notes: It is recommended to have system with Indoor/Outdoor Capacity Ratio less than 130%  
Avoid running the unit in heating mode when outdoor air temperature is below -20°C  
The above capacity tables show the average values in operating condition



# Performance in Heating

## MSAN-XMi 400T

| Indoor/<br>Outdoor<br>Capacity<br>Ratio | Indoor air temperature D.B. (°C) |           |       |       |       |       |       |       |       |       |      |       |      |       |
|---|----------------------------------|-----------|-------|-------|-------|-------|-------|-------|-------|-------|------|-------|------|-------|
|   | Outdoor air temperature (°C)     |           | 16    |       | 18    |       | 20    |       | 21    |       | 22   |       | 24   |       |
|   | D.B. (°C)                        | W.B. (°C) | kWt   | kWe   | kWt   | kWe   | kWt   | kWe   | kWt   | kWe   | kWt  | kWe   | kWt  | kWe   |
| 130%                                    | -13,7                            | -15       | 28,4  | 7,91  | 28,3  | 8,36  | 28,2  | 8,82  | 28,2  | 9,04  | 28,1 | 9,27  | 28,1 | 9,73  |
|   | -11,8                            | -13       | 29,6  | 8,26  | 29,6  | 8,7   | 29,5  | 9,13  | 29,3  | 9,35  | 29,3 | 9,57  | 29,2 | 10    |
|   | -9,8                             | -11       | 31    | 8,62  | 30,9  | 9,04  | 30,7  | 9,45  | 30,7  | 9,66  | 30,7 | 9,87  | 30,6 | 10,29 |
|   | -9,5                             | -10       | 31,7  | 8,81  | 31,6  | 9,21  | 31,5  | 9,61  | 31,5  | 9,82  | 31,4 | 10,01 | 31,4 | 10,42 |
|   | -8,5                             | -9,1      | 32,4  | 8,96  | 32,3  | 9,35  | 32,3  | 9,75  | 32,1  | 9,95  | 32,1 | 10,14 | 32   | 10,55 |
|   | -7                               | -7,6      | 33,5  | 9,22  | 33,5  | 9,61  | 33,4  | 9,99  | 33,4  | 10,18 | 33,3 | 10,36 | 33,1 | 10,75 |
|   | -5                               | -5,6      | 35,3  | 9,57  | 35,2  | 9,93  | 35    | 10,3  | 35    | 10,48 | 34,9 | 10,65 | 34,9 | 11,01 |
|   | -3                               | -3,7      | 37    | 9,88  | 36,8  | 10,23 | 36,8  | 10,57 | 36,7  | 10,75 | 36,7 | 10,92 | 36,6 | 11,26 |
|   | 0                                | -0,7      | 39,9  | 10,36 | 39,9  | 10,69 | 39,7  | 11    | 39,7  | 11,12 | 39,6 | 11,32 | 39,6 | 11,64 |
|   | 3                                | 2,2       | 43    | 10,79 | 42,9  | 11,09 | 42,8  | 11,39 | 42,8  | 11,53 | 42,8 | 11,69 | 42,7 | 11,97 |
|   | 5                                | 4,1       | 45,2  | 11,06 | 45,1  | 11,35 | 45,1  | 11,62 | 45    | 11,77 | 45   | 11,91 | 44,8 | 12,18 |
|   | 7                                | 6         | 47,5  | 11,33 | 47,4  | 11,58 | 47,4  | 11,86 | 47,2  | 11,99 | 47,2 | 12,12 | 45,3 | 11,64 |
|   | 9                                | 7,9       | 49,9  | 11,56 | 49,8  | 11,82 | 49,8  | 12,06 | 49,7  | 12,19 | 48,6 | 11,94 | 45,3 | 10,93 |
|   | 11                               | 9,8       | 52,4  | 11,79 | 52,3  | 12,03 | 52,1  | 12,18 | 50,3  | 11,7  | 48,6 | 11,22 | 45,3 | 10,3  |
|   | 13                               | 11,8      | 55,2  | 12,01 | 55,1  | 12,25 | 52,1  | 11,42 | 50,3  | 10,96 | 48,6 | 10,53 | 45,3 | 9,66  |
| 15                                      | 13,7                             | 57,9      | 12,22 | 55,4  | 11,6  | 52,1  | 10,75 | 50,3  | 10,34 | 48,6  | 9,92 | 45,3  | 9,12 |       |
| 120%                                    | -13,7                            | -15       | 28,3  | 8,52  | 28,2  | 8,94  | 28,1  | 9,35  | 28,1  | 9,57  | 28,1 | 9,78  | 27,9 | 10,2  |
|   | -11,8                            | -13       | 29,5  | 8,84  | 29,5  | 9,25  | 29,3  | 9,65  | 29,3  | 9,86  | 29,2 | 10,05 | 29,2 | 10,45 |
|   | -9,8                             | -11       | 30,9  | 9,18  | 30,7  | 9,56  | 30,7  | 9,95  | 30,6  | 10,14 | 30,6 | 10,33 | 30,5 | 10,71 |
|   | -9,5                             | -10       | 31,6  | 9,35  | 31,5  | 9,73  | 31,4  | 10,09 | 31,4  | 10,29 | 31,4 | 10,47 | 31,2 | 10,84 |
|   | -8,5                             | -9,1      | 32,3  | 9,49  | 32,1  | 9,86  | 32,1  | 10,22 | 32    | 10,4  | 32   | 10,6  | 31,9 | 10,96 |
|   | -7                               | -7,6      | 33,4  | 9,74  | 33,4  | 10,09 | 33,3  | 10,44 | 33,3  | 10,62 | 33,1 | 10,79 | 33,1 | 11,14 |
|   | -5                               | -5,6      | 35,2  | 10,05 | 35    | 10,39 | 34,9  | 10,73 | 34,9  | 10,9  | 34,9 | 11,07 | 34,8 | 11,39 |
|   | -3                               | -3,7      | 36,8  | 10,35 | 36,8  | 10,68 | 36,7  | 10,99 | 36,7  | 11,14 | 36,6 | 11,31 | 36,6 | 11,62 |
|   | 0                                | -0,7      | 39,7  | 10,79 | 39,7  | 11,09 | 39,6  | 11,38 | 39,6  | 11,53 | 39,5 | 11,67 | 39,5 | 11,97 |
|   | 3                                | 2,2       | 42,9  | 11,2  | 42,8  | 11,47 | 42,8  | 11,74 | 42,7  | 11,88 | 42,7 | 12,01 | 41,8 | 11,95 |
|   | 5                                | 4,1       | 45,1  | 11,44 | 45    | 11,7  | 45    | 11,96 | 44,8  | 12,09 | 44,8 | 12,22 | 41,8 | 11,22 |
|   | 7                                | 6         | 47,4  | 11,67 | 47,4  | 11,92 | 47,2  | 12,17 | 46,5  | 12    | 45   | 11,51 | 41,8 | 10,56 |
|   | 9                                | 7,9       | 49,8  | 11,91 | 49,7  | 12,14 | 48    | 11,74 | 46,5  | 11,28 | 45   | 10,82 | 41,8 | 9,93  |
|   | 11                               | 9,8       | 52,3  | 12,12 | 51    | 11,91 | 48    | 11,04 | 46,5  | 10,61 | 45   | 10,18 | 41,8 | 9,36  |
|   | 13                               | 11,8      | 54,2  | 12    | 51    | 11,17 | 48    | 10,35 | 46,5  | 9,96  | 45   | 9,57  | 41,8 | 8,81  |
| 15                                      | 13,7                             | 54,2      | 11,3  | 51    | 10,52 | 48    | 9,77  | 46,5  | 9,39  | 45    | 9,03 | 41,8  | 8,31 |       |
| 110%                                    | -13,7                            | -15       | 28,2  | 9,13  | 28,1  | 9,52  | 27,9  | 9,9   | 27,9  | 10,09 | 27,9 | 10,29 | 27,8 | 10,66 |
|   | -11,8                            | -13       | 29,3  | 9,44  | 29,3  | 9,8   | 29,2  | 10,17 | 29,2  | 10,35 | 29,1 | 10,53 | 29,1 | 10,91 |
|   | -9,8                             | -11       | 30,7  | 9,74  | 30,6  | 10,09 | 30,6  | 10,44 | 30,5  | 10,62 | 30,5 | 10,79 | 30,5 | 11,14 |
|   | -9,5                             | -10       | 31,5  | 9,9   | 31,4  | 10,23 | 31,2  | 10,58 | 31,2  | 10,75 | 31,2 | 10,92 | 31,1 | 11,26 |
|   | -8,5                             | -9,1      | 32,1  | 10,03 | 32    | 10,36 | 32    | 10,7  | 31,9  | 10,87 | 31,9 | 11,04 | 31,9 | 10,07 |
|   | -7                               | -7,6      | 33,3  | 10,26 | 33,3  | 10,57 | 33,1  | 10,9  | 33,1  | 11,07 | 33,1 | 11,22 | 33   | 11,55 |
|   | -5                               | -5,6      | 35    | 10,55 | 34,9  | 10,86 | 34,8  | 11,16 | 34,8  | 11,31 | 34,8 | 11,47 | 34,7 | 11,78 |
|   | -3                               | -3,7      | 36,7  | 10,82 | 36,7  | 11,1  | 36,6  | 11,4  | 36,6  | 11,55 | 36,4 | 11,69 | 36,4 | 11,99 |
|   | 0                                | -0,7      | 39,6  | 11,22 | 39,6  | 11,49 | 39,5  | 11,77 | 39,5  | 11,9  | 39,5 | 12,04 | 38,3 | 11,8  |
|   | 3                                | 2,2       | 42,8  | 11,6  | 42,7  | 11,84 | 42,7  | 12,09 | 42,5  | 12,21 | 41,1 | 11,71 | 38,3 | 10,74 |
|   | 5                                | 4,1       | 45    | 11,82 | 45    | 12,06 | 44,1  | 11,95 | 42,5  | 11,47 | 41,1 | 11,01 | 38,3 | 10,1  |
|   | 7                                | 6         | 47,2  | 12,04 | 46,9  | 12,12 | 44,1  | 11,22 | 42,5  | 10,78 | 41,1 | 10,35 | 38,3 | 9,51  |
|   | 9                                | 7,9       | 49,7  | 12,23 | 46,9  | 11,39 | 44,1  | 10,56 | 42,5  | 10,14 | 41,1 | 9,74  | 38,3 | 8,96  |
|   | 11                               | 9,8       | 49,7  | 11,51 | 46,9  | 10,71 | 44,1  | 9,94  | 42,5  | 9,56  | 41,1 | 9,18  | 38,3 | 8,46  |
|   | 13                               | 11,8      | 49,7  | 10,79 | 46,9  | 10,05 | 44,1  | 9,34  | 42,5  | 8,99  | 41,1 | 8,64  | 38,3 | 7,96  |
| 15                                      | 13,7                             | 49,7      | 9,58  | 46,9  | 9,48  | 44,1  | 8,82  | 42,5  | 8,48  | 41,1  | 8,17 | 38,3  | 7,53 |       |

kWt = Heating capacity [kW]  
 kWe = Compressor + Fan power input [kW]  
 DB=Dry bulb  
 WB=Wet bulb

# Performance in Heating

## MSAN-XMi 400T

| Indoor/<br>Outdoor<br>Capacity<br>Ratio | Indoor air temperature D.B. (°C) |           |      |       |      |       |      |       |      |       |      |       |      |       |
|---|----------------------------------|-----------|------|-------|------|-------|------|-------|------|-------|------|-------|------|-------|
|   | Outdoor air temperature (°C)     |           | 16   |       | 18   |       | 20   |       | 21   |       | 22   |       | 24   |       |
|   | D.B. (°C)                        | W.B. (°C) | kWt  | kWe   | kWt  | kWe   | kWt  | kWe   | kWt  | kWe   | kWt  | kWe   | kWt  | kWe   |
| 100%                                    | -13,7                            | -15       | 28,1 | 9,74  | 27,9 | 10,09 | 27,8 | 10,44 | 27,8 | 10,62 | 27,8 | 10,79 | 27,7 | 11,14 |
|   | -11,8                            | -13       | 29,2 | 10,03 | 29,2 | 10,35 | 29,1 | 10,69 | 29,1 | 10,86 | 29,1 | 11,03 | 29   | 11,36 |
|   | -9,8                             | -11       | 30,6 | 10,3  | 30,5 | 10,62 | 30,5 | 10,94 | 30,5 | 11,1  | 30,3 | 11,26 | 30,3 | 11,57 |
|   | -9,5                             | -10       | 31,4 | 10,44 | 31,2 | 10,75 | 31,2 | 11,07 | 31,1 | 11,22 | 31,1 | 11,38 | 31   | 11,69 |
|   | -8,5                             | -9,1      | 32   | 10,56 | 31,9 | 10,87 | 31,9 | 11,17 | 31,9 | 11,33 | 31,7 | 11,48 | 31,7 | 11,78 |
|   | -7                               | -7,6      | 33,1 | 10,77 | 33,1 | 11,07 | 33   | 11,35 | 33   | 11,51 | 33   | 11,65 | 32,9 | 11,95 |
|   | -5                               | -5,6      | 34,9 | 11,04 | 34,8 | 11,31 | 34,8 | 11,6  | 34,7 | 11,73 | 34,7 | 11,87 | 34,5 | 12,16 |
|   | -3                               | -3,7      | 36,6 | 11,29 | 36,6 | 10,25 | 36,4 | 11,82 | 36,4 | 11,95 | 36,4 | 12,08 | 34,9 | 11,57 |
|   | 0                                | -0,7      | 39,5 | 11,65 | 39,5 | 11,9  | 39,4 | 12,14 | 38,7 | 11,95 | 37,5 | 11,46 | 34,9 | 10,51 |
|   | 3                                | 2,2       | 42,7 | 11,99 | 42,5 | 12,21 | 40   | 11,3  | 38,7 | 10,86 | 37,5 | 10,43 | 34,9 | 9,57  |
|   | 5                                | 4,1       | 44,8 | 12,21 | 42,5 | 11,47 | 40   | 10,62 | 38,7 | 10,22 | 37,5 | 9,82  | 34,9 | 9,03  |
|   | 7                                | 6         | 45,1 | 11,58 | 42,5 | 10,78 | 40   | 10    | 38,7 | 9,62  | 37,5 | 9,25  | 34,9 | 8,51  |
|   | 9                                | 7,9       | 45,1 | 10,88 | 42,5 | 10,14 | 40   | 9,42  | 38,7 | 8,95  | 37,5 | 8,71  | 34,9 | 8,03  |
|   | 11                               | 9,8       | 45,1 | 10,25 | 42,5 | 9,56  | 40   | 8,88  | 38,7 | 8,55  | 37,5 | 8,22  | 34,9 | 7,58  |
|   | 13                               | 11,8      | 45,1 | 9,62  | 42,5 | 8,99  | 40   | 8,36  | 38,7 | 8,05  | 37,5 | 7,75  | 34,9 | 7,16  |
| 15                                      | 13,7                             | 45,1      | 9,08 | 42,5  | 8,48 | 40    | 7,9  | 38,7  | 7,61 | 37,5  | 7,33 | 34,9  | 6,78 |       |
| 90%                                     | -13,7                            | -15       | 27,9 | 10,36 | 27,8 | 10,67 | 27,8 | 10,99 | 27,6 | 11,14 | 27,6 | 11,3  | 27,6 | 11,61 |
|   | -11,8                            | -13       | 29   | 10,61 | 29   | 10,91 | 28,9 | 11,21 | 28,9 | 11,36 | 28,9 | 11,51 | 28,8 | 11,81 |
|   | -9,8                             | -11       | 30,4 | 10,86 | 30,4 | 11,14 | 30,3 | 11,43 | 30,3 | 11,57 | 30,3 | 11,73 | 30,2 | 12,01 |
|   | -9,5                             | -10       | 31,2 | 10,99 | 31,1 | 11,27 | 31,1 | 11,55 | 30,9 | 11,69 | 30,9 | 11,83 | 30,9 | 12,1  |
|   | -8,5                             | -9,1      | 31,8 | 11,1  | 31,8 | 11,38 | 31,7 | 11,65 | 31,7 | 11,78 | 31,7 | 11,92 | 31,3 | 12,04 |
|   | -7                               | -7,6      | 33   | 11,29 | 33   | 11,55 | 32,8 | 11,82 | 32,8 | 11,95 | 32,8 | 12,08 | 31,3 | 11,49 |
|   | -5                               | -5,6      | 34,7 | 11,53 | 34,6 | 11,78 | 34,6 | 12,03 | 34,5 | 12,16 | 33,6 | 11,78 | 31,3 | 10,8  |
|   | -3                               | -3,7      | 36,4 | 11,75 | 36,4 | 11,99 | 36   | 12,04 | 34,7 | 11,56 | 33,6 | 11,09 | 31,3 | 10,18 |
|   | 0                                | -0,7      | 39,4 | 12,09 | 38,3 | 11,79 | 36   | 10,92 | 34,7 | 10,49 | 33,6 | 10,08 | 31,3 | 9,26  |
|   | 3                                | 2,2       | 40,6 | 11,52 | 38,3 | 10,73 | 36   | 9,95  | 34,7 | 9,57  | 33,6 | 9,19  | 31,3 | 8,47  |
|   | 5                                | 4,1       | 40,6 | 10,83 | 38,3 | 10,09 | 36   | 9,38  | 34,7 | 9,01  | 33,6 | 8,68  | 31,3 | 7,99  |
|   | 7                                | 6         | 40,6 | 10,18 | 38,3 | 9,51  | 36   | 8,83  | 34,7 | 8,51  | 33,6 | 8,18  | 31,3 | 7,55  |
|   | 9                                | 7,9       | 40,6 | 9,6   | 38,3 | 8,95  | 36   | 8,32  | 34,7 | 8,03  | 33,6 | 7,73  | 31,3 | 7,13  |
|   | 11                               | 9,8       | 40,6 | 9,04  | 38,3 | 8,44  | 36   | 7,87  | 34,7 | 7,58  | 33,6 | 7,3   | 31,3 | 6,75  |
|   | 13                               | 11,8      | 40,6 | 8,51  | 38,3 | 7,96  | 36   | 7,42  | 34,7 | 7,16  | 33,6 | 6,9   | 31,3 | 6,38  |
| 15                                      | 13,7                             | 40,6      | 8,04 | 38,3  | 7,52 | 36    | 7,03 | 34,7  | 6,78 | 33,6  | 6,53 | 31,3  | 6,05 |       |
| 80%                                     | -13,7                            | -15       | 27,8 | 10,97 | 27,7 | 11,25 | 27,7 | 11,53 | 27,7 | 11,66 | 27,6 | 11,8  | 27,6 | 12,09 |
|   | -11,8                            | -13       | 29   | 11,19 | 29   | 11,47 | 28,8 | 11,73 | 28,8 | 11,86 | 28,8 | 12    | 27,9 | 11,68 |
|   | -9,8                             | -11       | 30,3 | 11,42 | 30,3 | 11,68 | 30,2 | 11,93 | 30,2 | 12,05 | 30   | 12,03 | 27,9 | 11,03 |
|   | -9,5                             | -10       | 31,1 | 11,53 | 31   | 11,78 | 31   | 12,03 | 31   | 12,16 | 30   | 11,68 | 27,9 | 10,7  |
|   | -8,5                             | -9,1      | 31,7 | 11,64 | 29,5 | 11,88 | 31,6 | 12,12 | 31   | 11,84 | 30   | 11,36 | 27,9 | 10,42 |
|   | -7                               | -7,6      | 32,9 | 11,8  | 32,9 | 12,04 | 32   | 11,78 | 31   | 11,31 | 30   | 10,86 | 27,9 | 9,96  |
|   | -5                               | -5,6      | 34,7 | 12,01 | 34   | 11,95 | 32   | 11,06 | 31   | 10,64 | 30   | 10,21 | 27,9 | 9,38  |
|   | -3                               | -3,7      | 36,1 | 12,08 | 34   | 11,25 | 32   | 10,42 | 31   | 10,03 | 30   | 9,62  | 27,9 | 8,86  |
|   | 0                                | -0,7      | 36,1 | 10,96 | 34   | 10,21 | 32   | 9,48  | 31   | 9,13  | 30   | 8,77  | 27,9 | 8,08  |
|   | 3                                | 2,2       | 36,1 | 9,99  | 34   | 9,31  | 32   | 8,66  | 31   | 8,34  | 30   | 8,03  | 27,9 | 7,4   |
|   | 5                                | 4,1       | 36,1 | 9,4   | 34   | 8,78  | 32   | 8,17  | 31   | 7,87  | 30   | 7,58  | 27,9 | 7     |
|   | 7                                | 6         | 36,1 | 8,86  | 34   | 8,29  | 32   | 7,71  | 31   | 7,44  | 30   | 7,17  | 27,9 | 6,62  |
|   | 9                                | 7,9       | 36,1 | 8,36  | 34   | 7,82  | 32   | 7,29  | 31   | 7,03  | 30   | 6,78  | 27,9 | 6,27  |
|   | 11                               | 9,8       | 36,1 | 7,9   | 34   | 7,39  | 32   | 6,9   | 31   | 6,65  | 30   | 6,41  | 27,9 | 5,95  |
|   | 13                               | 11,8      | 36,1 | 7,44  | 34   | 6,97  | 32   | 6,52  | 31   | 6,29  | 30   | 6,06  | 27,9 | 5,62  |
| 15                                      | 13,7                             | 36,1      | 7,04 | 34    | 6,61 | 32    | 6,18 | 31    | 5,96 | 30    | 5,75 | 27,9  | 5,35 |       |

kWt = Heating capacity [kW]  
 kWe = Compressor + Fan power input [kW]  
 DB=Dry bulb  
 WB=Wet bulb

# Performance in Heating

## MSAN-XMi 400T

| Indoor/<br>Outdoor<br>Capacity<br>Ratio | Indoor air temperature D.B. (°C) |           |      |       |      |       |      |       |      |       |      |       |      |       |
|---|----------------------------------|-----------|------|-------|------|-------|------|-------|------|-------|------|-------|------|-------|
|   | Outdoor air temperature (°C)     |           | 16   |       | 18   |       | 20   |       | 21   |       | 22   |       | 24   |       |
|   | D.B. (°C)                        | W.B. (°C) | kWt  | kWe   | kWt  | kWe   | kWt  | kWe   | kWt  | kWe   | kWt  | kWe   | kWt  | kWe   |
| 70%                                     | -13,7                            | -15       | 27,6 | 11,58 | 27,5 | 11,83 | 27,5 | 12,08 | 27   | 11,9  | 26,1 | 11,42 | 24,3 | 10,47 |
|   | -11,8                            | -13       | 28,8 | 11,78 | 28,8 | 12,01 | 28   | 11,73 | 27   | 11,27 | 26,1 | 10,82 | 24,3 | 9,92  |
|   | -9,8                             | -11       | 30,2 | 11,97 | 29,8 | 11,96 | 28   | 11,08 | 27   | 10,65 | 26,1 | 10,22 | 24,3 | 9,39  |
|   | -9,5                             | -10       | 30,9 | 12,08 | 29,8 | 11,61 | 28   | 10,75 | 27   | 10,34 | 26,1 | 9,93  | 24,3 | 9,13  |
|   | -8,5                             | -9,1      | 31,5 | 12,14 | 29,8 | 11,3  | 28   | 10,47 | 27   | 10,06 | 26,1 | 9,67  | 24,3 | 8,9   |
|   | -7                               | -7,6      | 31,5 | 11,6  | 29,8 | 10,79 | 28   | 10,01 | 27   | 9,64  | 26,1 | 9,26  | 24,3 | 8,52  |
|   | -5                               | -5,6      | 31,5 | 10,9  | 29,8 | 10,16 | 28   | 9,43  | 27   | 9,06  | 26,1 | 10,71 | 24,3 | 8,04  |
|   | -3                               | -3,7      | 31,5 | 10,26 | 29,8 | 9,57  | 28   | 8,9   | 27   | 8,56  | 26,1 | 8,23  | 24,3 | 7,6   |
|   | 0                                | -0,7      | 31,5 | 9,34  | 29,8 | 8,73  | 28   | 8,12  | 27   | 7,82  | 26,1 | 7,53  | 24,3 | 6,96  |
|   | 3                                | 2,2       | 31,5 | 8,53  | 29,8 | 7,99  | 28   | 7,44  | 27   | 7,17  | 26,1 | 6,91  | 24,3 | 6,39  |
|   | 5                                | 4,1       | 31,5 | 8,05  | 29,8 | 7,53  | 28   | 7,04  | 27   | 6,78  | 26,1 | 6,53  | 24,3 | 6,05  |
|   | 7                                | 6         | 31,5 | 7,61  | 29,8 | 7,13  | 28   | 6,65  | 27   | 6,41  | 26,1 | 6,19  | 24,3 | 5,74  |
|   | 9                                | 7,9       | 31,5 | 7,19  | 29,8 | 6,74  | 28   | 6,3   | 27   | 6,08  | 26,1 | 5,87  | 24,3 | 5,44  |
|   | 11                               | 9,8       | 31,5 | 6,8   | 29,8 | 6,38  | 28   | 5,97  | 27   | 5,77  | 26,1 | 5,57  | 24,3 | 5,17  |
|   | 13                               | 11,8      | 31,5 | 6,43  | 29,8 | 6,04  | 28   | 5,65  | 27   | 5,47  | 26,1 | 5,27  | 24,3 | 4,91  |
| 15                                      | 13,7                             | 31,5      | 6,09 | 29,8  | 5,73 | 28    | 5,36 | 27    | 5,19 | 26,1  | 5,01 | 24,3  | 4,67 |       |
| 60%                                     | -13,7                            | -15       | 27   | 11,9  | 25,5 | 11,06 | 24   | 10,26 | 23,2 | 9,87  | 22,5 | 9,48  | 21   | 8,71  |
|   | -11,8                            | -13       | 27   | 11,26 | 25,5 | 10,48 | 24   | 9,73  | 23,2 | 9,36  | 22,5 | 9     | 21   | 8,32  |
|   | -9,8                             | -11       | 27   | 10,64 | 25,5 | 9,91  | 24   | 9,21  | 23,2 | 8,86  | 22,5 | 8,52  | 21   | 7,86  |
|   | -9,5                             | -10       | 27   | 10,34 | 25,5 | 9,64  | 24   | 8,95  | 23,2 | 8,62  | 22,5 | 8,28  | 21   | 7,64  |
|   | -8,5                             | -9,1      | 27   | 10,06 | 25,5 | 9,39  | 24   | 8,73  | 23,2 | 8,4   | 22,5 | 8,08  | 21   | 7,45  |
|   | -7                               | -7,6      | 27   | 9,62  | 25,5 | 8,99  | 24   | 8,35  | 23,2 | 8,05  | 22,5 | 7,74  | 21   | 7,16  |
|   | -5                               | -5,6      | 27   | 9,06  | 25,5 | 8,47  | 24   | 7,88  | 23,2 | 7,6   | 22,5 | 7,31  | 21   | 6,77  |
|   | -3                               | -3,7      | 27   | 8,56  | 25,5 | 8     | 24   | 7,45  | 23,2 | 7,19  | 22,5 | 6,92  | 21   | 6,4   |
|   | 0                                | -0,7      | 27   | 7,82  | 25,5 | 7,32  | 24   | 6,83  | 23,2 | 6,6   | 22,5 | 6,35  | 21   | 5,88  |
|   | 3                                | 2,2       | 27   | 7,17  | 25,5 | 6,73  | 24   | 6,29  | 23,2 | 6,06  | 22,5 | 5,86  | 21   | 5,43  |
|   | 5                                | 4,1       | 27   | 6,78  | 25,5 | 6,36  | 24   | 5,95  | 23,2 | 5,75  | 22,5 | 5,55  | 21   | 5,16  |
|   | 7                                | 6         | 27   | 6,41  | 25,5 | 6,03  | 24   | 5,64  | 23,2 | 5,45  | 22,5 | 5,27  | 21   | 4,9   |
|   | 9                                | 7,9       | 27   | 6,08  | 25,5 | 5,71  | 24   | 5,35  | 23,2 | 5,18  | 22,5 | 5     | 21   | 4,66  |
|   | 11                               | 9,8       | 27   | 5,77  | 25,5 | 5,43  | 24   | 5,09  | 23,2 | 4,92  | 22,5 | 4,75  | 21   | 4,44  |
|   | 13                               | 11,8      | 27   | 5,45  | 25,5 | 5,14  | 24   | 4,83  | 23,2 | 4,68  | 22,5 | 4,52  | 21   | 4,22  |
| 15                                      | 13,7                             | 27        | 5,19 | 25,5  | 4,88 | 24    | 4,6  | 23,2  | 4,45 | 22,5  | 4,31 | 21    | 4,03 |       |
| 50%                                     | -13,7                            | -15       | 22,5 | 9,53  | 21,3 | 8,9   | 20   | 8,27  | 19,2 | 7,97  | 18,6 | 7,67  | 17,3 | 7,09  |
|   | -11,8                            | -13       | 22,5 | 9,05  | 21,3 | 8,45  | 20   | 7,87  | 19,2 | 7,58  | 18,6 | 7,3   | 17,3 | 6,75  |
|   | -9,8                             | -11       | 22,5 | 8,57  | 21,3 | 8,01  | 20   | 7,47  | 19,2 | 7,19  | 18,6 | 6,93  | 17,3 | 6,42  |
|   | -9,5                             | -10       | 22,5 | 8,34  | 21,3 | 7,79  | 20   | 7,27  | 19,2 | 7,01  | 18,6 | 6,75  | 17,3 | 6,25  |
|   | -8,5                             | -9,1      | 22,5 | 8,13  | 21,3 | 7,61  | 20   | 7,09  | 19,2 | 6,84  | 18,6 | 6,6   | 17,3 | 6,1   |
|   | -7                               | -7,6      | 22,5 | 7,79  | 21,3 | 7,3   | 20   | 6,8   | 19,2 | 6,57  | 18,6 | 6,34  | 17,3 | 5,87  |
|   | -5                               | -5,6      | 22,5 | 7,35  | 21,3 | 6,9   | 20   | 6,44  | 19,2 | 6,22  | 18,6 | 6     | 17,3 | 5,56  |
|   | -3                               | -3,7      | 22,5 | 6,96  | 21,3 | 6,53  | 20   | 6,1   | 19,2 | 5,9   | 18,6 | 5,69  | 17,3 | 5,29  |
|   | 0                                | -0,7      | 22,5 | 6,39  | 21,3 | 6     | 20   | 5,62  | 19,2 | 5,43  | 18,6 | 5,25  | 17,3 | 4,88  |
|   | 3                                | 2,2       | 22,5 | 5,88  | 21,3 | 5,53  | 20   | 5,18  | 19,2 | 5,01  | 18,6 | 4,84  | 17,3 | 4,52  |
|   | 5                                | 4,1       | 22,5 | 5,58  | 21,3 | 5,25  | 20   | 4,92  | 19,2 | 4,77  | 18,6 | 4,61  | 17,3 | 4,3   |
|   | 7                                | 6         | 22,5 | 5,3   | 21,3 | 4,99  | 20   | 4,69  | 19,2 | 4,53  | 18,6 | 4,39  | 17,3 | 4,1   |
|   | 9                                | 7,9       | 22,5 | 5,03  | 21,3 | 4,74  | 20   | 4,45  | 19,2 | 4,32  | 18,6 | 4,18  | 17,3 | 3,91  |
|   | 11                               | 9,8       | 22,5 | 4,78  | 21,3 | 4,51  | 20   | 4,25  | 19,2 | 4,12  | 18,6 | 3,99  | 17,3 | 3,73  |
|   | 13                               | 11,8      | 22,5 | 4,55  | 21,3 | 4,29  | 20   | 4,04  | 19,2 | 3,92  | 18,6 | 3,79  | 17,3 | 3,56  |
| 15                                      | 13,7                             | 22,5      | 4,32 | 21,3  | 4,09 | 20    | 3,86 | 19,2  | 3,74 | 18,6  | 3,62 | 17,3  | 3,4  |       |

kWt = Heating capacity [kW]  
 kWe = Compressor + Fan power input [kW]  
 DB=Dry bulb  
 WB=Wet bulb

Notes: It is recommended to have system with Indoor/Outdoor Capacity Ratio less than 130%  
 Avoid running the unit in heating mode when outdoor air temperature is below -20°C  
 The above capacity tables show the average values in operating condition

# Performance in Heating

## MSAN-XMi 450T

| Indoor/<br>Outdoor<br>Capacity<br>Ratio | Indoor air temperature D.B. (°C) |           |       |       |       |       |       |       |       |       |       |       |       |       |
|---|----------------------------------|-----------|-------|-------|-------|-------|-------|-------|-------|-------|-------|-------|-------|-------|
|   | Outdoor air temperature (°C)     |           | 16    |       | 18    |       | 20    |       | 21    |       | 22    |       | 24    |       |
|   | D.B. (°C)                        | W.B. (°C) | kWt   | kWe   | kWt   | kWe   | kWt   | kWe   | kWt   | kWe   | kWt   | kWe   | kWt   | kWe   |
| 130%                                    | -13,7                            | -15       | 32    | 8,79  | 31,9  | 9,29  | 31,7  | 9,8   | 31,7  | 10,04 | 31,6  | 10,3  | 31,6  | 10,81 |
|   | -11,8                            | -13       | 33,3  | 9,18  | 33,3  | 9,67  | 33,1  | 10,14 | 33    | 10,39 | 33    | 10,63 | 32,9  | 11,11 |
|   | -9,8                             | -11       | 34,9  | 9,58  | 34,7  | 10,04 | 34,6  | 10,5  | 34,6  | 10,73 | 34,6  | 10,97 | 34,4  | 11,43 |
|   | -9,5                             | -10       | 35,7  | 9,78  | 35,6  | 10,23 | 35,4  | 10,68 | 35,4  | 10,91 | 35,3  | 11,12 | 35,3  | 11,57 |
|   | -8,5                             | -9,1      | 36,4  | 9,96  | 36,3  | 10,39 | 36,3  | 10,84 | 36,1  | 11,05 | 36,1  | 11,27 | 36    | 11,72 |
|   | -7                               | -7,6      | 37,7  | 10,24 | 37,7  | 10,68 | 37,6  | 11,1  | 37,6  | 11,31 | 37,4  | 11,51 | 37,3  | 11,95 |
|   | -5                               | -5,6      | 39,7  | 10,63 | 39,6  | 11,04 | 39,4  | 11,44 | 39,4  | 11,64 | 39,3  | 11,83 | 39,3  | 12,24 |
|   | -3                               | -3,7      | 41,6  | 10,98 | 41,4  | 11,37 | 41,4  | 11,75 | 41,3  | 11,95 | 41,3  | 12,13 | 41,1  | 12,51 |
|   | 0                                | -0,7      | 44,9  | 11,51 | 44,9  | 11,87 | 44,7  | 12,22 | 44,7  | 12,35 | 44,6  | 12,58 | 44,6  | 12,93 |
|   | 3                                | 2,2       | 48,4  | 11,99 | 48,3  | 12,32 | 48,1  | 12,65 | 48,1  | 12,81 | 48,1  | 12,99 | 48    | 13,3  |
|   | 5                                | 4,1       | 50,9  | 12,29 | 50,7  | 12,61 | 50,7  | 12,91 | 50,6  | 13,07 | 50,6  | 13,23 | 50,4  | 13,53 |
|   | 7                                | 6         | 53,4  | 12,58 | 53,3  | 12,87 | 53,3  | 13,17 | 53,1  | 13,32 | 53,1  | 13,46 | 51    | 12,93 |
|   | 9                                | 7,9       | 56,1  | 12,84 | 56    | 13,13 | 56    | 13,4  | 55,9  | 13,55 | 54,7  | 13,26 | 51    | 12,15 |
|   | 11                               | 9,8       | 59    | 13,1  | 58,9  | 13,36 | 58,6  | 13,53 | 56,6  | 13    | 54,7  | 12,47 | 51    | 11,44 |
|   | 13                               | 11,8      | 62,1  | 13,35 | 62    | 13,61 | 58,6  | 12,68 | 56,6  | 12,18 | 54,7  | 11,7  | 51    | 10,73 |
| 15                                      | 13,7                             | 65,1      | 13,58 | 62,3  | 12,88 | 58,6  | 11,95 | 56,6  | 11,49 | 54,7  | 11,02 | 51    | 10,13 |       |
| 120%                                    | -13,7                            | -15       | 31,9  | 9,47  | 31,7  | 9,93  | 31,6  | 10,39 | 31,6  | 10,63 | 31,6  | 10,86 | 31,4  | 11,33 |
|   | -11,8                            | -13       | 33,1  | 9,83  | 33,1  | 10,27 | 33    | 10,72 | 33    | 10,95 | 32,9  | 11,17 | 32,9  | 11,61 |
|   | -9,8                             | -11       | 34,7  | 10,2  | 34,6  | 10,62 | 34,6  | 11,05 | 34,4  | 11,27 | 34,4  | 11,47 | 34,3  | 11,9  |
|   | -9,5                             | -10       | 35,6  | 10,39 | 35,4  | 10,81 | 35,3  | 11,21 | 35,3  | 11,43 | 35,3  | 11,63 | 35,1  | 12,05 |
|   | -8,5                             | -9,1      | 36,3  | 10,55 | 36,1  | 10,95 | 36,1  | 11,36 | 36    | 11,56 | 36    | 11,77 | 35,9  | 12,18 |
|   | -7                               | -7,6      | 37,6  | 10,82 | 37,6  | 11,21 | 37,4  | 11,6  | 37,4  | 11,8  | 37,3  | 11,99 | 37,3  | 12,38 |
|   | -5                               | -5,6      | 39,6  | 11,17 | 39,4  | 11,54 | 39,3  | 11,92 | 39,3  | 12,11 | 39,3  | 12,29 | 39,1  | 12,65 |
|   | -3                               | -3,7      | 41,4  | 11,5  | 41,4  | 11,86 | 41,3  | 12,21 | 41,3  | 12,38 | 41,1  | 12,57 | 41,1  | 12,91 |
|   | 0                                | -0,7      | 44,7  | 11,99 | 44,7  | 12,32 | 44,6  | 12,64 | 44,6  | 12,81 | 44,4  | 12,97 | 44,4  | 13,3  |
|   | 3                                | 2,2       | 48,3  | 12,44 | 48,1  | 12,74 | 48,1  | 13,04 | 48    | 13,2  | 48    | 13,35 | 47    | 13,28 |
|   | 5                                | 4,1       | 50,7  | 12,71 | 50,6  | 13    | 50,6  | 13,29 | 50,4  | 13,43 | 50,4  | 13,58 | 47    | 12,47 |
|   | 7                                | 6         | 53,3  | 12,97 | 53,3  | 13,25 | 53,1  | 13,52 | 52,3  | 13,33 | 50,6  | 12,78 | 47    | 11,73 |
|   | 9                                | 7,9       | 56    | 13,23 | 55,9  | 13,49 | 54    | 13,04 | 52,3  | 12,53 | 50,6  | 12,02 | 47    | 11,04 |
|   | 11                               | 9,8       | 58,9  | 13,46 | 57,4  | 13,23 | 54    | 12,27 | 52,3  | 11,79 | 50,6  | 11,31 | 47    | 10,4  |
|   | 13                               | 11,8      | 61    | 13,33 | 57,4  | 12,41 | 54    | 11,5  | 52,3  | 11,07 | 50,6  | 10,63 | 47    | 9,78  |
| 15                                      | 13,7                             | 61        | 12,55 | 57,4  | 11,69 | 54    | 10,85 | 52,3  | 10,43 | 50,6  | 10,03 | 47    | 9,23  |       |
| 110%                                    | -13,7                            | -15       | 31,7  | 10,14 | 31,6  | 10,58 | 31,4  | 10,99 | 31,4  | 11,21 | 31,4  | 11,43 | 31,3  | 11,85 |
|   | -11,8                            | -13       | 33    | 10,49 | 33    | 10,89 | 32,9  | 11,3  | 32,9  | 11,5  | 32,7  | 11,7  | 32,7  | 12,12 |
|   | -9,8                             | -11       | 34,6  | 10,82 | 34,4  | 11,21 | 34,4  | 11,6  | 34,3  | 11,8  | 34,3  | 11,99 | 34,3  | 12,38 |
|   | -9,5                             | -10       | 35,4  | 10,99 | 35,3  | 11,37 | 35,1  | 11,76 | 35,1  | 11,95 | 35,1  | 12,13 | 35    | 12,51 |
|   | -8,5                             | -9,1      | 36,1  | 11,14 | 36    | 11,51 | 36    | 11,89 | 35,9  | 12,08 | 35,9  | 12,26 | 35,9  | 11,18 |
|   | -7                               | -7,6      | 37,4  | 11,4  | 37,4  | 11,74 | 37,3  | 12,11 | 37,3  | 12,29 | 37,3  | 12,47 | 37,1  | 12,83 |
|   | -5                               | -5,6      | 39,4  | 11,72 | 39,3  | 12,06 | 39,1  | 12,39 | 39,1  | 12,57 | 39,1  | 12,74 | 39    | 13,09 |
|   | -3                               | -3,7      | 41,3  | 12,02 | 41,3  | 12,34 | 41,1  | 12,67 | 41,1  | 12,83 | 41    | 12,99 | 41    | 13,32 |
|   | 0                                | -0,7      | 44,6  | 12,47 | 44,6  | 12,77 | 44,4  | 13,07 | 44,4  | 13,22 | 44,4  | 13,38 | 43,1  | 13,11 |
|   | 3                                | 2,2       | 48,1  | 12,89 | 48    | 13,16 | 48    | 13,43 | 47,9  | 13,56 | 46,3  | 13,02 | 43,1  | 11,93 |
|   | 5                                | 4,1       | 50,6  | 13,13 | 50,6  | 13,4  | 49,6  | 13,27 | 47,9  | 12,74 | 46,3  | 12,24 | 43,1  | 11,23 |
|   | 7                                | 6         | 53,1  | 13,38 | 52,7  | 13,46 | 49,6  | 12,47 | 47,9  | 11,98 | 46,3  | 11,5  | 43,1  | 10,56 |
|   | 9                                | 7,9       | 55,9  | 13,59 | 52,7  | 12,65 | 49,6  | 11,73 | 47,9  | 11,27 | 46,3  | 10,82 | 43,1  | 9,96  |
|   | 11                               | 9,8       | 55,9  | 12,78 | 52,7  | 11,9  | 49,6  | 11,04 | 47,9  | 10,62 | 46,3  | 10,2  | 43,1  | 9,39  |
|   | 13                               | 11,8      | 55,9  | 11,99 | 52,7  | 11,17 | 49,6  | 10,37 | 47,9  | 9,98  | 46,3  | 9,6   | 43,1  | 8,85  |
| 15                                      | 13,7                             | 55,9      | 10,65 | 52,7  | 10,53 | 49,6  | 9,8   | 47,9  | 9,42  | 46,3  | 9,08  | 43,1  | 8,37  |       |

kWt = Heating capacity [kW]  
kWe = Compressor + Fan power input [kW]  
DB=Dry bulb  
WB=Wet bulb

# Performance in Heating

## MSAN-XMi 450T

| Indoor/<br>Outdoor<br>Capacity<br>Ratio | Indoor air temperature D.B. (°C) |           |       |       |      |       |      |       |      |       |      |       |      |       |
|---|----------------------------------|-----------|-------|-------|------|-------|------|-------|------|-------|------|-------|------|-------|
|   | Outdoor air temperature (°C)     |           | 16    |       | 18   |       | 20   |       | 21   |       | 22   |       | 24   |       |
|   | D.B. (°C)                        | W.B. (°C) | kWt   | kWe   | kWt  | kWe   | kWt  | kWe   | kWt  | kWe   | kWt  | kWe   | kWt  | kWe   |
| 100%                                    | -13,7                            | -15       | 31,6  | 10,82 | 31,4 | 11,21 | 31,3 | 11,6  | 31,3 | 11,8  | 31,3 | 11,99 | 31,1 | 12,38 |
|   | -11,8                            | -13       | 32,9  | 11,14 | 32,9 | 11,5  | 32,7 | 11,87 | 32,7 | 12,06 | 32,7 | 12,25 | 32,6 | 12,63 |
|   | -9,8                             | -11       | 34,4  | 11,44 | 34,3 | 11,8  | 34,3 | 12,15 | 34,3 | 12,34 | 34,1 | 12,51 | 34,1 | 12,86 |
|   | -9,5                             | -10       | 35,3  | 11,6  | 35,1 | 11,95 | 35,1 | 12,29 | 35   | 12,47 | 35   | 12,64 | 34,9 | 12,99 |
|   | -8,5                             | -9,1      | 36    | 11,73 | 35,9 | 12,08 | 35,9 | 12,41 | 35,9 | 12,58 | 35,7 | 12,76 | 35,7 | 13,09 |
|   | -7                               | -7,6      | 37,3  | 11,96 | 37,3 | 12,29 | 37,1 | 12,61 | 37,1 | 12,78 | 37,1 | 12,94 | 37   | 13,27 |
|   | -5                               | -5,6      | 39,3  | 12,26 | 39,1 | 12,57 | 39,1 | 12,88 | 39   | 13,03 | 39   | 13,19 | 38,9 | 13,51 |
|   | -3                               | -3,7      | 41,1  | 12,54 | 41,1 | 11,38 | 41   | 13,13 | 41   | 13,27 | 41   | 13,42 | 39,3 | 12,86 |
|   | 0                                | -0,7      | 44,4  | 12,94 | 44,4 | 13,22 | 44,3 | 13,49 | 43,6 | 13,27 | 42,1 | 12,73 | 39,3 | 11,67 |
|   | 3                                | 2,2       | 48    | 13,32 | 47,9 | 13,56 | 45   | 12,55 | 43,6 | 12,06 | 42,1 | 11,59 | 39,3 | 10,63 |
|   | 5                                | 4,1       | 50,4  | 13,56 | 47,9 | 12,74 | 45   | 11,8  | 43,6 | 11,35 | 42,1 | 10,91 | 39,3 | 10,03 |
|   | 7                                | 6         | 50,7  | 12,87 | 47,9 | 11,98 | 45   | 11,11 | 43,6 | 10,69 | 42,1 | 10,27 | 39,3 | 9,45  |
|   | 9                                | 7,9       | 50,7  | 12,09 | 47,9 | 11,27 | 45   | 10,46 | 43,6 | 9,94  | 42,1 | 9,68  | 39,3 | 8,92  |
|   | 11                               | 9,8       | 50,7  | 11,38 | 47,9 | 10,62 | 45   | 9,87  | 43,6 | 9,49  | 42,1 | 9,13  | 39,3 | 8,43  |
|   | 13                               | 11,8      | 50,7  | 10,69 | 47,9 | 9,98  | 45   | 9,29  | 43,6 | 8,95  | 42,1 | 8,61  | 39,3 | 7,95  |
| 15                                      | 13,7                             | 50,7      | 10,09 | 47,9  | 9,42 | 45    | 8,77 | 43,6  | 8,45 | 42,1  | 8,14 | 39,3  | 7,53 |       |
| 90%                                     | -13,7                            | -15       | 31,4  | 11,51 | 31,2 | 11,86 | 31,2 | 12,21 | 31,1 | 12,38 | 31,1 | 12,55 | 31,1 | 12,9  |
|   | -11,8                            | -13       | 32,7  | 11,79 | 32,7 | 12,12 | 32,5 | 12,45 | 32,5 | 12,63 | 32,5 | 12,78 | 32,4 | 13,12 |
|   | -9,8                             | -11       | 34,2  | 12,06 | 34,2 | 12,38 | 34,1 | 12,7  | 34,1 | 12,86 | 34,1 | 13,03 | 33,9 | 13,35 |
|   | -9,5                             | -10       | 35,1  | 12,21 | 34,9 | 12,52 | 34,9 | 12,83 | 34,8 | 12,99 | 34,8 | 13,14 | 34,8 | 13,45 |
|   | -8,5                             | -9,1      | 35,8  | 12,34 | 35,8 | 12,64 | 35,7 | 12,94 | 35,7 | 13,09 | 35,7 | 13,25 | 35,2 | 13,37 |
|   | -7                               | -7,6      | 37,1  | 12,54 | 37,1 | 12,83 | 36,9 | 13,13 | 36,9 | 13,27 | 36,9 | 13,42 | 35,2 | 12,77 |
|   | -5                               | -5,6      | 39,1  | 12,81 | 38,9 | 13,09 | 38,9 | 13,36 | 38,8 | 13,51 | 37,8 | 13,09 | 35,2 | 12    |
|   | -3                               | -3,7      | 40,9  | 13,06 | 40,9 | 13,32 | 40,5 | 13,37 | 39,1 | 12,84 | 37,8 | 12,32 | 35,2 | 11,31 |
|   | 0                                | -0,7      | 44,4  | 13,43 | 43,1 | 13,1  | 40,5 | 12,13 | 39,1 | 11,66 | 37,8 | 11,2  | 35,2 | 10,29 |
|   | 3                                | 2,2       | 45,6  | 12,8  | 43,1 | 11,92 | 40,5 | 11,05 | 39,1 | 10,63 | 37,8 | 10,22 | 35,2 | 9,41  |
|   | 5                                | 4,1       | 45,6  | 12,03 | 43,1 | 11,21 | 40,5 | 10,42 | 39,1 | 10,01 | 37,8 | 9,64  | 35,2 | 8,87  |
|   | 7                                | 6         | 45,6  | 11,31 | 43,1 | 10,56 | 40,5 | 9,81  | 39,1 | 9,45  | 37,8 | 9,09  | 35,2 | 8,38  |
|   | 9                                | 7,9       | 45,6  | 10,66 | 43,1 | 9,94  | 40,5 | 9,25  | 39,1 | 8,92  | 37,8 | 8,58  | 35,2 | 7,92  |
|   | 11                               | 9,8       | 45,6  | 10,04 | 43,1 | 9,38  | 40,5 | 8,74  | 39,1 | 8,43  | 37,8 | 8,11  | 35,2 | 7,5   |
|   | 13                               | 11,8      | 45,6  | 9,45  | 43,1 | 8,84  | 40,5 | 8,24  | 39,1 | 7,95  | 37,8 | 7,66  | 35,2 | 7,08  |
| 15                                      | 13,7                             | 45,6      | 8,93  | 43,1  | 8,35 | 40,5  | 7,81 | 39,1  | 7,53 | 37,8  | 7,26 | 35,2  | 6,72 |       |
| 80%                                     | -13,7                            | -15       | 31,3  | 12,19 | 31,1 | 12,49 | 31,1 | 12,81 | 31,1 | 12,96 | 31   | 13,12 | 31   | 13,43 |
|   | -11,8                            | -13       | 32,6  | 12,44 | 32,6 | 12,74 | 32,4 | 13,03 | 32,4 | 13,17 | 32,4 | 13,33 | 31,4 | 12,97 |
|   | -9,8                             | -11       | 34,1  | 12,68 | 34,1 | 12,97 | 34   | 13,26 | 34   | 13,39 | 33,7 | 13,36 | 31,4 | 12,25 |
|   | -9,5                             | -10       | 35    | 12,81 | 34,9 | 13,09 | 34,9 | 13,36 | 34,9 | 13,51 | 33,7 | 12,97 | 31,4 | 11,89 |
|   | -8,5                             | -9,1      | 35,7  | 12,93 | 33,2 | 13,2  | 35,6 | 13,46 | 34,9 | 13,16 | 33,7 | 12,62 | 31,4 | 11,57 |
|   | -7                               | -7,6      | 37    | 13,12 | 37   | 13,37 | 36   | 13,09 | 34,9 | 12,57 | 33,7 | 12,06 | 31,4 | 11,07 |
|   | -5                               | -5,6      | 39    | 13,35 | 38,3 | 13,27 | 36   | 12,29 | 34,9 | 11,82 | 33,7 | 11,34 | 31,4 | 10,42 |
|   | -3                               | -3,7      | 40,6  | 13,42 | 38,3 | 12,49 | 36   | 11,57 | 34,9 | 11,14 | 33,7 | 10,69 | 31,4 | 9,84  |
|   | 0                                | -0,7      | 40,6  | 12,18 | 38,3 | 11,34 | 36   | 10,53 | 34,9 | 10,14 | 33,7 | 9,74  | 31,4 | 8,97  |
|   | 3                                | 2,2       | 40,6  | 11,1  | 38,3 | 10,35 | 36   | 9,62  | 34,9 | 9,26  | 33,7 | 8,92  | 31,4 | 8,22  |
|   | 5                                | 4,1       | 40,6  | 10,45 | 38,3 | 9,75  | 36   | 9,08  | 34,9 | 8,74  | 33,7 | 8,43  | 31,4 | 7,78  |
|   | 7                                | 6         | 40,6  | 9,84  | 38,3 | 9,21  | 36   | 8,57  | 34,9 | 8,27  | 33,7 | 7,96  | 31,4 | 7,36  |
|   | 9                                | 7,9       | 40,6  | 9,29  | 38,3 | 8,69  | 36   | 8,09  | 34,9 | 7,81  | 33,7 | 7,53  | 31,4 | 6,97  |
|   | 11                               | 9,8       | 40,6  | 8,77  | 38,3 | 8,21  | 36   | 7,66  | 34,9 | 7,39  | 33,7 | 7,13  | 31,4 | 6,61  |
|   | 13                               | 11,8      | 40,6  | 8,27  | 38,3 | 7,75  | 36   | 7,24  | 34,9 | 6,98  | 33,7 | 6,74  | 31,4 | 6,25  |
| 15                                      | 13,7                             | 40,6      | 7,82  | 38,3  | 7,34 | 36    | 6,87 | 34,9  | 6,62 | 33,7  | 6,39 | 31,4  | 5,94 |       |

kWt = Heating capacity [kW]  
 kWe = Compressor + Fan power input [kW]  
 DB=Dry bulb  
 WB=Wet bulb

# Performance in Heating

## MSAN-XMi 450T

| Indoor/<br>Outdoor<br>Capacity<br>Ratio | Indoor air temperature D.B. (°C) |           |      |       |      |       |      |       |      |       |      |       |      |       |
|---|----------------------------------|-----------|------|-------|------|-------|------|-------|------|-------|------|-------|------|-------|
|   | Outdoor air temperature (°C)     |           | 16   |       | 18   |       | 20   |       | 21   |       | 22   |       | 24   |       |
|   | D.B. (°C)                        | W.B. (°C) | kWt  | kWe   | kWt  | kWe   | kWt  | kWe   | kWt  | kWe   | kWt  | kWe   | kWt  | kWe   |
| 70%                                     | -13,7                            | -15       | 31,1 | 12,87 | 30,9 | 13,14 | 30,9 | 13,42 | 30,4 | 13,22 | 29,4 | 12,68 | 27,4 | 11,63 |
|   | -11,8                            | -13       | 32,4 | 13,09 | 32,4 | 13,35 | 31,5 | 13,03 | 30,4 | 12,52 | 29,4 | 12,02 | 27,4 | 11,02 |
|   | -9,8                             | -11       | 33,9 | 13,3  | 33,5 | 13,29 | 31,5 | 12,31 | 30,4 | 11,83 | 29,4 | 11,35 | 27,4 | 10,43 |
|   | -9,5                             | -10       | 34,8 | 13,42 | 33,5 | 12,9  | 31,5 | 11,95 | 30,4 | 11,48 | 29,4 | 11,04 | 27,4 | 10,14 |
|   | -8,5                             | -9,1      | 35,5 | 13,49 | 33,5 | 12,55 | 31,5 | 11,63 | 30,4 | 11,18 | 29,4 | 10,75 | 27,4 | 9,88  |
|   | -7                               | -7,6      | 35,5 | 12,88 | 33,5 | 11,99 | 31,5 | 11,12 | 30,4 | 10,71 | 29,4 | 10,29 | 27,4 | 9,47  |
|   | -5                               | -5,6      | 35,5 | 12,11 | 33,5 | 11,28 | 31,5 | 10,47 | 30,4 | 10,07 | 29,4 | 11,9  | 27,4 | 8,93  |
|   | -3                               | -3,7      | 35,5 | 11,4  | 33,5 | 10,63 | 31,5 | 9,88  | 30,4 | 9,51  | 29,4 | 9,15  | 27,4 | 8,44  |
|   | 0                                | -0,7      | 35,5 | 10,37 | 33,5 | 9,7   | 31,5 | 9,02  | 30,4 | 8,69  | 29,4 | 8,37  | 27,4 | 7,73  |
|   | 3                                | 2,2       | 35,5 | 9,48  | 33,5 | 8,87  | 31,5 | 8,27  | 30,4 | 7,96  | 29,4 | 7,68  | 27,4 | 7,1   |
|   | 5                                | 4,1       | 35,5 | 8,94  | 33,5 | 8,37  | 31,5 | 7,82  | 30,4 | 7,53  | 29,4 | 7,26  | 27,4 | 6,72  |
|   | 7                                | 6         | 35,5 | 8,45  | 33,5 | 7,92  | 31,5 | 7,39  | 30,4 | 7,13  | 29,4 | 6,88  | 27,4 | 6,38  |
|   | 9                                | 7,9       | 35,5 | 7,99  | 33,5 | 7,49  | 31,5 | 7     | 30,4 | 6,75  | 29,4 | 6,52  | 27,4 | 6,05  |
|   | 11                               | 9,8       | 35,5 | 7,56  | 33,5 | 7,08  | 31,5 | 6,64  | 30,4 | 6,41  | 29,4 | 6,19  | 27,4 | 5,74  |
|   | 13                               | 11,8      | 35,5 | 7,14  | 33,5 | 6,71  | 31,5 | 6,28  | 30,4 | 6,07  | 29,4 | 5,86  | 27,4 | 5,45  |
| 15                                      | 13,7                             | 35,5      | 6,77 | 33,5  | 6,36 | 31,5  | 5,96 | 30,4  | 5,77 | 29,4  | 5,57 | 27,4  | 5,19 |       |
| 60%                                     | -13,7                            | -15       | 30,4 | 13,22 | 28,7 | 12,29 | 27   | 11,4  | 26,1 | 10,97 | 25,3 | 10,53 | 23,6 | 9,68  |
|   | -11,8                            | -13       | 30,4 | 12,51 | 28,7 | 11,64 | 27   | 10,81 | 26,1 | 10,4  | 25,3 | 10    | 23,6 | 9,25  |
|   | -9,8                             | -11       | 30,4 | 11,82 | 28,7 | 11,01 | 27   | 10,23 | 26,1 | 9,84  | 25,3 | 9,46  | 23,6 | 8,73  |
|   | -9,5                             | -10       | 30,4 | 11,48 | 28,7 | 10,71 | 27   | 9,94  | 26,1 | 9,58  | 25,3 | 9,2   | 23,6 | 8,48  |
|   | -8,5                             | -9,1      | 30,4 | 11,18 | 28,7 | 10,43 | 27   | 9,7   | 26,1 | 9,33  | 25,3 | 8,97  | 23,6 | 8,28  |
|   | -7                               | -7,6      | 30,4 | 10,69 | 28,7 | 9,98  | 27   | 9,28  | 26,1 | 8,95  | 25,3 | 8,6   | 23,6 | 7,95  |
|   | -5                               | -5,6      | 30,4 | 10,07 | 28,7 | 9,41  | 27   | 8,76  | 26,1 | 8,44  | 25,3 | 8,12  | 23,6 | 7,52  |
|   | -3                               | -3,7      | 30,4 | 9,51  | 28,7 | 8,89  | 27   | 8,28  | 26,1 | 7,99  | 25,3 | 7,69  | 23,6 | 7,11  |
|   | 0                                | -0,7      | 30,4 | 8,69  | 28,7 | 8,14  | 27   | 7,59  | 26,1 | 7,33  | 25,3 | 7,05  | 23,6 | 6,54  |
|   | 3                                | 2,2       | 30,4 | 7,96  | 28,7 | 7,47  | 27   | 6,98  | 26,1 | 6,74  | 25,3 | 6,51  | 23,6 | 6,03  |
|   | 5                                | 4,1       | 30,4 | 7,53  | 28,7 | 7,07  | 27   | 6,61  | 26,1 | 6,39  | 25,3 | 6,16  | 23,6 | 5,73  |
|   | 7                                | 6         | 30,4 | 7,13  | 28,7 | 6,69  | 27   | 6,26  | 26,1 | 6,06  | 25,3 | 5,86  | 23,6 | 5,44  |
|   | 9                                | 7,9       | 30,4 | 6,75  | 28,7 | 6,35  | 27   | 5,94  | 26,1 | 5,76  | 25,3 | 5,55  | 23,6 | 5,18  |
|   | 11                               | 9,8       | 30,4 | 6,41  | 28,7 | 6,03  | 27   | 5,66  | 26,1 | 5,47  | 25,3 | 5,28  | 23,6 | 4,93  |
|   | 13                               | 11,8      | 30,4 | 6,06  | 28,7 | 5,71  | 27   | 5,37  | 26,1 | 5,19  | 25,3 | 5,02  | 23,6 | 4,69  |
| 15                                      | 13,7                             | 30,4      | 5,77 | 28,7  | 5,43 | 27    | 5,11 | 26,1  | 4,95 | 25,3  | 4,79 | 23,6  | 4,47 |       |
| 50%                                     | -13,7                            | -15       | 25,3 | 10,59 | 23,9 | 9,88  | 22,5 | 9,19  | 21,6 | 8,86  | 20,9 | 8,53  | 19,5 | 7,88  |
|   | -11,8                            | -13       | 25,3 | 10,06 | 23,9 | 9,39  | 22,5 | 8,74  | 21,6 | 8,43  | 20,9 | 8,11  | 19,5 | 7,5   |
|   | -9,8                             | -11       | 25,3 | 9,52  | 23,9 | 8,9   | 22,5 | 8,3   | 21,6 | 7,99  | 20,9 | 7,7   | 19,5 | 7,13  |
|   | -9,5                             | -10       | 25,3 | 9,26  | 23,9 | 8,66  | 22,5 | 8,08  | 21,6 | 7,79  | 20,9 | 7,5   | 19,5 | 6,94  |
|   | -8,5                             | -9,1      | 25,3 | 9,03  | 23,9 | 8,45  | 22,5 | 7,88  | 21,6 | 7,6   | 20,9 | 7,33  | 19,5 | 6,78  |
|   | -7                               | -7,6      | 25,3 | 8,66  | 23,9 | 8,11  | 22,5 | 7,56  | 21,6 | 7,3   | 20,9 | 7,04  | 19,5 | 6,52  |
|   | -5                               | -5,6      | 25,3 | 8,17  | 23,9 | 7,66  | 22,5 | 7,16  | 21,6 | 6,91  | 20,9 | 6,67  | 19,5 | 6,18  |
|   | -3                               | -3,7      | 25,3 | 7,73  | 23,9 | 7,26  | 22,5 | 6,78  | 21,6 | 6,55  | 20,9 | 6,32  | 19,5 | 5,87  |
|   | 0                                | -0,7      | 25,3 | 7,1   | 23,9 | 6,67  | 22,5 | 6,25  | 21,6 | 6,03  | 20,9 | 5,83  | 19,5 | 5,43  |
|   | 3                                | 2,2       | 25,3 | 6,54  | 23,9 | 6,15  | 22,5 | 5,76  | 21,6 | 5,57  | 20,9 | 5,38  | 19,5 | 5,02  |
|   | 5                                | 4,1       | 25,3 | 6,2   | 23,9 | 5,83  | 22,5 | 5,47  | 21,6 | 5,29  | 20,9 | 5,12  | 19,5 | 4,78  |
|   | 7                                | 6         | 25,3 | 5,89  | 23,9 | 5,54  | 22,5 | 5,21  | 21,6 | 5,04  | 20,9 | 4,88  | 19,5 | 4,56  |
|   | 9                                | 7,9       | 25,3 | 5,58  | 23,9 | 5,27  | 22,5 | 4,95  | 21,6 | 4,8   | 20,9 | 4,65  | 19,5 | 4,34  |
|   | 11                               | 9,8       | 25,3 | 5,31  | 23,9 | 5,01  | 22,5 | 4,72  | 21,6 | 4,57  | 20,9 | 4,43  | 19,5 | 4,14  |
|   | 13                               | 11,8      | 25,3 | 5,05  | 23,9 | 4,76  | 22,5 | 4,49  | 21,6 | 4,36  | 20,9 | 4,21  | 19,5 | 3,95  |
| 15                                      | 13,7                             | 25,3      | 4,8  | 23,9  | 4,54 | 22,5  | 4,28 | 21,6  | 4,16 | 20,9  | 4,03 | 19,5  | 3,78 |       |

kWt = Heating capacity [kW]  
kWe = Compressor + Fan power input [kW]  
DB=Dry bulb  
WB=Wet bulb

Notes: It is recommended to have system with Indoor/Outdoor Capacity Ratio less than 130%  
Avoid running the unit in heating mode when outdoor air temperature is below -20°C  
The above capacity tables show the average values in operating condition

# Partial Load Cooling Performance with 100% Internal / External Power Ratio

## MSAN-XMi 80M

| % Load | Outdoor air Temperature D.B.(°C) | Indoor air Temperature W.B. (°C) |      |       |      |       |      |       |      |      |      |
|--------|----------------------------------|----------------------------------|------|-------|------|-------|------|-------|------|------|------|
|        |                                  | 20/14                            |      | 23/16 |      | 26/18 |      | 27/19 |      | 28/0 |      |
|        |                                  | kWf                              | kWe  | kWf   | kWe  | kWf   | kWe  | kWf   | kWe  | kWf  | kWe  |
| 100%   | 0                                | 4,9                              | 0,59 | 5,8   | 0,72 | 6,7   | 0,85 | 7,2   | 0,92 | 7,7  | 0,99 |
|        | 5                                | 4,9                              | 0,62 | 5,8   | 0,74 | 6,7   | 0,88 | 7,2   | 0,96 | 7,7  | 1,02 |
|        | 10                               | 4,9                              | 0,64 | 5,8   | 0,77 | 6,7   | 0,92 | 7,2   | 0,99 | 7,7  | 1,06 |
|        | 15                               | 4,9                              | 0,67 | 5,8   | 0,81 | 6,7   | 0,96 | 7,2   | 1,04 | 7,7  | 1,12 |
|        | 20                               | 4,9                              | 0,70 | 5,8   | 0,85 | 6,7   | 1,02 | 7,2   | 1,12 | 7,7  | 1,23 |
|        | 25                               | 4,9                              | 0,77 | 5,8   | 0,98 | 6,7   | 1,21 | 7,2   | 1,33 | 7,7  | 1,46 |
|        | 30                               | 4,9                              | 0,91 | 5,8   | 1,15 | 6,7   | 1,43 | 7,2   | 1,58 | 7,6  | 1,70 |
|        | 35                               | 4,9                              | 1,05 | 5,8   | 1,34 | 6,7   | 1,67 | 7,2   | 1,85 | 7,3  | 1,86 |
|        | 40                               | 4,9                              | 1,22 | 5,8   | 1,55 | 6,7   | 1,94 | 7,0   | 1,99 | 7,0  | 2,01 |
|        | 43                               | 4,9                              | 1,30 | 5,8   | 1,63 | 6,7   | 2,00 | 6,8   | 2,02 | 6,9  | 2,04 |
| 75%    | 0                                | 3,6                              | 0,42 | 4,3   | 0,51 | 5,0   | 0,61 | 5,4   | 0,65 | 5,7  | 0,70 |
|        | 5                                | 3,6                              | 0,44 | 4,3   | 0,53 | 5,0   | 0,63 | 5,4   | 0,68 | 5,7  | 0,73 |
|        | 10                               | 3,6                              | 0,45 | 4,3   | 0,55 | 5,0   | 0,65 | 5,4   | 0,70 | 5,7  | 0,76 |
|        | 15                               | 3,6                              | 0,47 | 4,3   | 0,58 | 5,0   | 0,68 | 5,4   | 0,74 | 5,7  | 0,79 |
|        | 20                               | 3,6                              | 0,50 | 4,3   | 0,61 | 5,0   | 0,72 | 5,4   | 0,80 | 5,7  | 0,88 |
|        | 25                               | 3,6                              | 0,55 | 4,3   | 0,70 | 5,0   | 0,86 | 5,4   | 0,95 | 5,7  | 1,04 |
|        | 30                               | 3,6                              | 0,64 | 4,3   | 0,82 | 5,0   | 1,01 | 5,4   | 1,12 | 5,7  | 1,21 |
|        | 35                               | 3,6                              | 0,75 | 4,3   | 0,96 | 5,0   | 1,19 | 5,4   | 1,32 | 5,7  | 1,32 |
|        | 40                               | 3,6                              | 0,87 | 4,3   | 1,10 | 5,0   | 1,37 | 5,4   | 1,41 | 5,7  | 1,43 |
|        | 43                               | 3,6                              | 0,93 | 4,3   | 1,16 | 5,0   | 1,43 | 5,4   | 1,44 | 5,7  | 1,45 |
| 50%    | 0                                | 2,4                              | 0,26 | 2,8   | 0,32 | 3,3   | 0,38 | 3,5   | 0,41 | 3,7  | 0,44 |
|        | 5                                | 2,4                              | 0,27 | 2,8   | 0,33 | 3,3   | 0,39 | 3,5   | 0,43 | 3,7  | 0,46 |
|        | 10                               | 2,4                              | 0,28 | 2,8   | 0,34 | 3,3   | 0,41 | 3,5   | 0,44 | 3,7  | 0,48 |
|        | 15                               | 2,4                              | 0,30 | 2,8   | 0,36 | 3,3   | 0,43 | 3,5   | 0,46 | 3,7  | 0,50 |
|        | 20                               | 2,4                              | 0,31 | 2,8   | 0,38 | 3,3   | 0,45 | 3,5   | 0,50 | 3,7  | 0,55 |
|        | 25                               | 2,4                              | 0,34 | 2,8   | 0,44 | 3,3   | 0,54 | 3,5   | 0,60 | 3,7  | 0,65 |
|        | 30                               | 2,4                              | 0,40 | 2,8   | 0,51 | 3,3   | 0,64 | 3,5   | 0,70 | 3,7  | 0,76 |
|        | 35                               | 2,4                              | 0,47 | 2,8   | 0,60 | 3,3   | 0,75 | 3,5   | 0,83 | 3,7  | 0,83 |
|        | 40                               | 2,4                              | 0,53 | 2,8   | 0,67 | 3,3   | 0,84 | 3,5   | 0,87 | 3,7  | 0,88 |
|        | 43                               | 2,4                              | 0,55 | 2,8   | 0,69 | 3,3   | 0,85 | 3,5   | 0,88 | 3,7  | 0,89 |
| 25%    | 0                                | 1,2                              | 0,13 | 1,5   | 0,16 | 1,7   | 0,19 | 1,8   | 0,21 | 2,0  | 0,22 |
|        | 5                                | 1,2                              | 0,14 | 1,5   | 0,17 | 1,7   | 0,20 | 1,8   | 0,21 | 2,0  | 0,23 |
|        | 10                               | 1,2                              | 0,16 | 1,5   | 0,18 | 1,7   | 0,21 | 1,8   | 0,22 | 2,0  | 0,24 |
|        | 15                               | 1,2                              | 0,17 | 1,5   | 0,19 | 1,7   | 0,22 | 1,8   | 0,23 | 2,0  | 0,25 |
|        | 20                               | 1,2                              | 0,18 | 1,5   | 0,20 | 1,7   | 0,23 | 1,8   | 0,25 | 2,0  | 0,28 |
|        | 25                               | 1,2                              | 0,20 | 1,5   | 0,23 | 1,7   | 0,27 | 1,8   | 0,30 | 2,0  | 0,33 |
|        | 30                               | 1,2                              | 0,23 | 1,5   | 0,27 | 1,7   | 0,32 | 1,8   | 0,35 | 2,0  | 0,38 |
|        | 35                               | 1,2                              | 0,26 | 1,5   | 0,31 | 1,7   | 0,38 | 1,8   | 0,42 | 2,0  | 0,42 |
|        | 40                               | 1,2                              | 0,29 | 1,5   | 0,35 | 1,7   | 0,42 | 1,8   | 0,44 | 2,0  | 0,44 |
|        | 43                               | 1,2                              | 0,30 | 1,5   | 0,36 | 1,7   | 0,43 | 1,8   | 0,44 | 2,0  | 0,45 |

kWf = Cooling capacity [kW]  
 kWe = Compressor + Fan power input [kW]  
 DB=Dry bulb  
 WB=Wet bulb

# Partial Load Cooling Performance with 100% Internal / External Power Ratio

## MSAN-XMi 105M

| % Load | Outdoor air Temperature D.B.(°C) | Indoor air Temperature W.B. (°C) |      |       |      |       |      |       |      |      |      |
|--------|----------------------------------|----------------------------------|------|-------|------|-------|------|-------|------|------|------|
|        |                                  | 20/14                            |      | 23/16 |      | 26/18 |      | 27/19 |      | 28/0 |      |
|        |                                  | kWf                              | kWe  | kWf   | kWe  | kWf   | kWe  | kWf   | kWe  | kWf  | kWe  |
| 100%   | 0                                | 6,1                              | 0,74 | 7,2   | 0,89 | 8,4   | 1,06 | 9,0   | 1,14 | 9,6  | 1,23 |
|        | 5                                | 6,1                              | 0,77 | 7,2   | 0,92 | 8,4   | 1,10 | 9,0   | 1,19 | 9,6  | 1,27 |
|        | 10                               | 6,1                              | 0,79 | 7,2   | 0,96 | 8,4   | 1,14 | 9,0   | 1,23 | 9,6  | 1,32 |
|        | 15                               | 6,1                              | 0,83 | 7,2   | 1,01 | 8,4   | 1,20 | 9,0   | 1,29 | 9,6  | 1,39 |
|        | 20                               | 6,1                              | 0,87 | 7,2   | 1,06 | 8,4   | 1,26 | 9,0   | 1,39 | 9,6  | 1,53 |
|        | 25                               | 6,1                              | 0,96 | 7,2   | 1,22 | 8,4   | 1,50 | 9,0   | 1,66 | 9,6  | 1,82 |
|        | 30                               | 6,1                              | 1,13 | 7,2   | 1,43 | 8,4   | 1,77 | 9,0   | 1,96 | 9,5  | 2,11 |
|        | 35                               | 6,1                              | 1,31 | 7,2   | 1,67 | 8,4   | 2,08 | 9,0   | 2,30 | 9,1  | 2,31 |
|        | 40                               | 6,1                              | 1,52 | 7,2   | 1,93 | 8,4   | 2,41 | 8,7   | 2,47 | 8,8  | 2,49 |
| 43     | 6,1                              | 1,62                             | 7,2  | 2,03  | 8,4  | 2,49  | 8,4  | 2,51  | 8,7  | 2,54 |      |
| 75%    | 0                                | 4,0                              | 0,47 | 4,8   | 0,57 | 5,6   | 0,67 | 6,0   | 0,73 | 6,4  | 0,78 |
|        | 5                                | 4,0                              | 0,49 | 4,8   | 0,59 | 5,6   | 0,69 | 6,0   | 0,75 | 6,4  | 0,81 |
|        | 10                               | 4,0                              | 0,50 | 4,8   | 0,61 | 5,6   | 0,72 | 6,0   | 0,78 | 6,4  | 0,84 |
|        | 15                               | 4,0                              | 0,53 | 4,8   | 0,64 | 5,6   | 0,76 | 6,0   | 0,82 | 6,4  | 0,88 |
|        | 20                               | 4,0                              | 0,55 | 4,8   | 0,67 | 5,6   | 0,80 | 6,0   | 0,89 | 6,4  | 0,97 |
|        | 25                               | 4,0                              | 0,61 | 4,8   | 0,77 | 5,6   | 0,95 | 6,0   | 1,05 | 6,4  | 1,16 |
|        | 30                               | 4,0                              | 0,71 | 4,8   | 0,91 | 5,6   | 1,13 | 6,0   | 1,24 | 6,4  | 1,34 |
|        | 35                               | 4,0                              | 0,83 | 4,8   | 1,06 | 5,6   | 1,32 | 6,0   | 1,46 | 6,4  | 1,47 |
|        | 40                               | 4,0                              | 0,96 | 4,8   | 1,22 | 5,6   | 1,53 | 6,0   | 1,57 | 6,4  | 1,58 |
| 43     | 4,0                              | 1,03                             | 4,8  | 1,29  | 5,6  | 1,58  | 6,0  | 1,59  | 6,4  | 1,61 |      |
| 50%    | 0                                | 2,6                              | 0,29 | 3,1   | 0,35 | 3,7   | 0,42 | 3,9   | 0,46 | 4,2  | 0,49 |
|        | 5                                | 2,6                              | 0,30 | 3,1   | 0,37 | 3,7   | 0,44 | 3,9   | 0,47 | 4,2  | 0,51 |
|        | 10                               | 2,6                              | 0,32 | 3,1   | 0,38 | 3,7   | 0,45 | 3,9   | 0,49 | 4,2  | 0,53 |
|        | 15                               | 2,6                              | 0,33 | 3,1   | 0,40 | 3,7   | 0,48 | 3,9   | 0,51 | 4,2  | 0,55 |
|        | 20                               | 2,6                              | 0,35 | 3,1   | 0,42 | 3,7   | 0,50 | 3,9   | 0,56 | 4,2  | 0,61 |
|        | 25                               | 2,6                              | 0,38 | 3,1   | 0,48 | 3,7   | 0,60 | 3,9   | 0,66 | 4,2  | 0,73 |
|        | 30                               | 2,6                              | 0,45 | 3,1   | 0,57 | 3,7   | 0,71 | 3,9   | 0,78 | 4,2  | 0,84 |
|        | 35                               | 2,6                              | 0,52 | 3,1   | 0,67 | 3,7   | 0,83 | 3,9   | 0,92 | 4,2  | 0,92 |
|        | 40                               | 2,6                              | 0,58 | 3,1   | 0,74 | 3,7   | 0,93 | 3,9   | 0,97 | 4,2  | 0,98 |
| 43     | 2,6                              | 0,61                             | 3,1  | 0,77  | 3,7  | 0,95  | 3,9  | 0,98  | 4,2  | 0,99 |      |
| 25%    | 0                                | 1,4                              | 0,15 | 1,6   | 0,18 | 1,9   | 0,21 | 2,0   | 0,23 | 2,2  | 0,25 |
|        | 5                                | 1,4                              | 0,15 | 1,6   | 0,18 | 1,9   | 0,22 | 2,0   | 0,24 | 2,2  | 0,25 |
|        | 10                               | 1,4                              | 0,18 | 1,6   | 0,20 | 1,9   | 0,23 | 2,0   | 0,25 | 2,2  | 0,26 |
|        | 15                               | 1,4                              | 0,19 | 1,6   | 0,21 | 1,9   | 0,24 | 2,0   | 0,26 | 2,2  | 0,28 |
|        | 20                               | 1,4                              | 0,20 | 1,6   | 0,22 | 1,9   | 0,25 | 2,0   | 0,28 | 2,2  | 0,31 |
|        | 25                               | 1,4                              | 0,22 | 1,6   | 0,25 | 1,9   | 0,30 | 2,0   | 0,33 | 2,2  | 0,36 |
|        | 30                               | 1,4                              | 0,25 | 1,6   | 0,30 | 1,9   | 0,35 | 2,0   | 0,39 | 2,2  | 0,42 |
|        | 35                               | 1,4                              | 0,29 | 1,6   | 0,34 | 1,9   | 0,41 | 2,0   | 0,46 | 2,2  | 0,46 |
|        | 40                               | 1,4                              | 0,32 | 1,6   | 0,38 | 1,9   | 0,46 | 2,0   | 0,49 | 2,2  | 0,49 |
| 43     | 1,4                              | 0,33                             | 1,6  | 0,40  | 1,9  | 0,47  | 2,0  | 0,49  | 2,2  | 0,49 |      |

kWf = Cooling capacity [kW]  
 kWe = Compressor + Fan power input [kW]  
 DB=Dry bulb  
 WB=Wet bulb



# Partial Load Cooling Performance with 100% Internal / External Power Ratio

## MSAN-XMi 120M/120T

| % Load | Outdoor air Temperature D.B.(°C) | Indoor air Temperature W.B. (°C) |      |       |      |       |      |       |      |      |      |
|--------|----------------------------------|----------------------------------|------|-------|------|-------|------|-------|------|------|------|
|        |                                  | 20/14                            |      | 23/16 |      | 26/18 |      | 27/19 |      | 28/0 |      |
|        |                                  | kWf                              | kWe  | kWf   | kWe  | kWf   | kWe  | kWf   | kWe  | kWf  | kWe  |
| 100%   | 0                                | 8,3                              | 1,04 | 9,9   | 1,26 | 11,5  | 1,50 | 12,3  | 1,62 | 13,1 | 1,74 |
|        | 5                                | 8,3                              | 1,08 | 9,9   | 1,30 | 11,5  | 1,54 | 12,3  | 1,68 | 13,1 | 1,80 |
|        | 10                               | 8,3                              | 1,12 | 9,9   | 1,36 | 11,5  | 1,61 | 12,3  | 1,74 | 13,1 | 1,87 |
|        | 15                               | 8,3                              | 1,17 | 9,9   | 1,43 | 11,5  | 1,69 | 12,3  | 1,82 | 13,1 | 1,96 |
|        | 20                               | 8,3                              | 1,23 | 9,9   | 1,49 | 11,5  | 1,79 | 12,3  | 1,97 | 13,1 | 2,16 |
|        | 25                               | 8,3                              | 1,35 | 9,9   | 1,72 | 11,5  | 2,12 | 12,3  | 2,34 | 13,1 | 2,57 |
|        | 30                               | 8,3                              | 1,59 | 9,9   | 2,02 | 11,5  | 2,50 | 12,3  | 2,77 | 13,0 | 2,98 |
|        | 35                               | 8,3                              | 1,85 | 9,9   | 2,36 | 11,5  | 2,94 | 12,3  | 3,25 | 12,4 | 3,26 |
|        | 40                               | 8,3                              | 2,14 | 9,9   | 2,72 | 11,5  | 3,40 | 11,8  | 3,49 | 12,0 | 3,53 |
|        | 43                               | 8,3                              | 2,28 | 9,9   | 2,87 | 11,5  | 3,52 | 11,5  | 3,54 | 11,9 | 3,58 |
| 75%    | 0                                | 6,2                              | 0,74 | 7,4   | 0,90 | 8,6   | 1,06 | 9,2   | 1,15 | 9,8  | 1,24 |
|        | 5                                | 6,2                              | 0,77 | 7,4   | 0,93 | 8,6   | 1,10 | 9,2   | 1,19 | 9,8  | 1,28 |
|        | 10                               | 6,2                              | 0,80 | 7,4   | 0,97 | 8,6   | 1,14 | 9,2   | 1,24 | 9,8  | 1,33 |
|        | 15                               | 6,2                              | 0,83 | 7,4   | 1,01 | 8,6   | 1,20 | 9,2   | 1,30 | 9,8  | 1,39 |
|        | 20                               | 6,2                              | 0,87 | 7,4   | 1,06 | 8,6   | 1,27 | 9,2   | 1,40 | 9,8  | 1,54 |
|        | 25                               | 6,2                              | 0,96 | 7,4   | 1,22 | 8,6   | 1,51 | 9,2   | 1,67 | 9,8  | 1,83 |
|        | 30                               | 6,2                              | 1,13 | 7,4   | 1,44 | 8,6   | 1,78 | 9,2   | 1,97 | 9,8  | 2,12 |
|        | 35                               | 6,2                              | 1,32 | 7,4   | 1,68 | 8,6   | 2,09 | 9,2   | 2,31 | 9,8  | 2,32 |
|        | 40                               | 6,2                              | 1,52 | 7,4   | 1,94 | 8,6   | 2,42 | 9,2   | 2,48 | 9,8  | 2,51 |
|        | 43                               | 6,2                              | 1,63 | 7,4   | 2,04 | 8,6   | 2,50 | 9,2   | 2,52 | 9,8  | 2,55 |
| 50%    | 0                                | 4,0                              | 0,46 | 4,8   | 0,56 | 5,6   | 0,67 | 6,0   | 0,72 | 6,4  | 0,78 |
|        | 5                                | 4,0                              | 0,48 | 4,8   | 0,58 | 5,6   | 0,69 | 6,0   | 0,75 | 6,4  | 0,80 |
|        | 10                               | 4,0                              | 0,50 | 4,8   | 0,61 | 5,6   | 0,72 | 6,0   | 0,78 | 6,4  | 0,83 |
|        | 15                               | 4,0                              | 0,52 | 4,8   | 0,64 | 5,6   | 0,75 | 6,0   | 0,81 | 6,4  | 0,87 |
|        | 20                               | 4,0                              | 0,55 | 4,8   | 0,67 | 5,6   | 0,80 | 6,0   | 0,88 | 6,4  | 0,97 |
|        | 25                               | 4,0                              | 0,60 | 4,8   | 0,77 | 5,6   | 0,95 | 6,0   | 1,05 | 6,4  | 1,15 |
|        | 30                               | 4,0                              | 0,71 | 4,8   | 0,90 | 5,6   | 1,12 | 6,0   | 1,23 | 6,4  | 1,33 |
|        | 35                               | 4,0                              | 0,82 | 4,8   | 1,05 | 5,6   | 1,31 | 6,0   | 1,45 | 6,4  | 1,46 |
|        | 40                               | 4,0                              | 0,92 | 4,8   | 1,18 | 5,6   | 1,47 | 6,0   | 1,54 | 6,4  | 1,55 |
|        | 43                               | 4,0                              | 0,96 | 4,8   | 1,22 | 5,6   | 1,50 | 6,0   | 1,55 | 6,4  | 1,56 |
| 25%    | 0                                | 2,1                              | 0,23 | 2,5   | 0,28 | 2,9   | 0,34 | 3,2   | 0,36 | 3,4  | 0,39 |
|        | 5                                | 2,1                              | 0,24 | 2,5   | 0,29 | 2,9   | 0,35 | 3,2   | 0,38 | 3,4  | 0,40 |
|        | 10                               | 2,1                              | 0,29 | 2,5   | 0,32 | 2,9   | 0,36 | 3,2   | 0,39 | 3,4  | 0,42 |
|        | 15                               | 2,1                              | 0,30 | 2,5   | 0,34 | 2,9   | 0,38 | 3,2   | 0,41 | 3,4  | 0,44 |
|        | 20                               | 2,1                              | 0,32 | 2,5   | 0,35 | 2,9   | 0,40 | 3,2   | 0,44 | 3,4  | 0,49 |
|        | 25                               | 2,1                              | 0,35 | 2,5   | 0,40 | 2,9   | 0,48 | 3,2   | 0,53 | 3,4  | 0,58 |
|        | 30                               | 2,1                              | 0,40 | 2,5   | 0,47 | 2,9   | 0,56 | 3,2   | 0,62 | 3,4  | 0,67 |
|        | 35                               | 2,1                              | 0,46 | 2,5   | 0,55 | 2,9   | 0,66 | 3,2   | 0,73 | 3,4  | 0,73 |
|        | 40                               | 2,1                              | 0,51 | 2,5   | 0,61 | 2,9   | 0,74 | 3,2   | 0,77 | 3,4  | 0,78 |
|        | 43                               | 2,1                              | 0,53 | 2,5   | 0,63 | 2,9   | 0,76 | 3,2   | 0,78 | 3,4  | 0,79 |

kWf = Cooling capacity [kW]

kWe = Compressor + Fan power input [kW]

DB=Dry bulb

WB=Wet bulb

# Partial Load Cooling Performance with 100% Internal / External Power Ratio

## MSAN-XMi 140M/140T

| % Load | Outdoor air Temperature D.B.(°C) | Indoor air Temperature W.B. (°C) |      |       |      |       |      |       |      |      |      |
|--------|----------------------------------|----------------------------------|------|-------|------|-------|------|-------|------|------|------|
|        |                                  | 20/14                            |      | 23/16 |      | 26/18 |      | 27/19 |      | 28/0 |      |
|        |                                  | kWf                              | kWe  | kWf   | kWe  | kWf   | kWe  | kWf   | kWe  | kWf  | kWe  |
| 100%   | 0                                | 9,5                              | 1,24 | 11,3  | 1,49 | 13,1  | 1,77 | 14,0  | 1,91 | 14,9 | 2,06 |
|        | 5                                | 9,5                              | 1,28 | 11,3  | 1,54 | 13,1  | 1,83 | 14,0  | 1,99 | 14,9 | 2,13 |
|        | 10                               | 9,5                              | 1,33 | 11,3  | 1,61 | 13,1  | 1,90 | 14,0  | 2,06 | 14,9 | 2,22 |
|        | 15                               | 9,5                              | 1,39 | 11,3  | 1,69 | 13,1  | 2,00 | 14,0  | 2,16 | 14,9 | 2,33 |
|        | 20                               | 9,5                              | 1,45 | 11,3  | 1,77 | 13,1  | 2,12 | 14,0  | 2,33 | 14,9 | 2,56 |
|        | 25                               | 9,5                              | 1,60 | 11,3  | 2,03 | 13,1  | 2,52 | 14,0  | 2,78 | 14,9 | 3,05 |
|        | 30                               | 9,5                              | 1,88 | 11,3  | 2,39 | 13,1  | 2,97 | 14,0  | 3,28 | 14,7 | 3,53 |
|        | 35                               | 9,5                              | 2,19 | 11,3  | 2,80 | 13,1  | 3,48 | 14,0  | 3,85 | 14,1 | 3,87 |
|        | 40                               | 9,5                              | 2,53 | 11,3  | 3,23 | 13,1  | 4,02 | 13,4  | 4,14 | 13,7 | 4,17 |
| 43     | 9,5                              | 2,71                             | 11,3 | 3,40  | 13,1 | 4,17  | 13,1 | 4,20  | 13,5 | 4,24 |      |
| 75%    | 0                                | 7,1                              | 0,90 | 8,4   | 1,09 | 9,8   | 1,29 | 10,4  | 1,40 | 11,1 | 1,50 |
|        | 5                                | 7,1                              | 0,93 | 8,4   | 1,13 | 9,8   | 1,34 | 10,4  | 1,45 | 11,1 | 1,55 |
|        | 10                               | 7,1                              | 0,97 | 8,4   | 1,17 | 9,8   | 1,39 | 10,4  | 1,50 | 11,1 | 1,62 |
|        | 15                               | 7,1                              | 1,01 | 8,4   | 1,23 | 9,8   | 1,46 | 10,4  | 1,58 | 11,1 | 1,70 |
|        | 20                               | 7,1                              | 1,06 | 8,4   | 1,29 | 9,8   | 1,55 | 10,4  | 1,70 | 11,1 | 1,87 |
|        | 25                               | 7,1                              | 1,17 | 8,4   | 1,49 | 9,8   | 1,84 | 10,4  | 2,03 | 11,1 | 2,22 |
|        | 30                               | 7,1                              | 1,37 | 8,4   | 1,75 | 9,8   | 2,17 | 10,4  | 2,39 | 11,1 | 2,58 |
|        | 35                               | 7,1                              | 1,60 | 8,4   | 2,04 | 9,8   | 2,54 | 10,4  | 2,81 | 11,1 | 2,82 |
|        | 40                               | 7,1                              | 1,85 | 8,4   | 2,35 | 9,8   | 2,94 | 10,4  | 3,02 | 11,1 | 3,05 |
| 43     | 7,1                              | 1,98                             | 8,4  | 2,48  | 9,8  | 3,04  | 10,4 | 3,06  | 11,1 | 3,10 |      |
| 50%    | 0                                | 4,6                              | 0,56 | 5,5   | 0,68 | 6,4   | 0,81 | 6,8   | 0,88 | 7,2  | 0,94 |
|        | 5                                | 4,6                              | 0,59 | 5,5   | 0,71 | 6,4   | 0,84 | 6,8   | 0,91 | 7,2  | 0,97 |
|        | 10                               | 4,6                              | 0,61 | 5,5   | 0,74 | 6,4   | 0,87 | 6,8   | 0,94 | 7,2  | 1,01 |
|        | 15                               | 4,6                              | 0,64 | 5,5   | 0,77 | 6,4   | 0,91 | 6,8   | 0,99 | 7,2  | 1,06 |
|        | 20                               | 4,6                              | 0,67 | 5,5   | 0,81 | 6,4   | 0,97 | 6,8   | 1,07 | 7,2  | 1,17 |
|        | 25                               | 4,6                              | 0,73 | 5,5   | 0,93 | 6,4   | 1,15 | 6,8   | 1,27 | 7,2  | 1,39 |
|        | 30                               | 4,6                              | 0,86 | 5,5   | 1,10 | 6,4   | 1,36 | 6,8   | 1,50 | 7,2  | 1,62 |
|        | 35                               | 4,6                              | 1,00 | 5,5   | 1,28 | 6,4   | 1,59 | 6,8   | 1,76 | 7,2  | 1,77 |
|        | 40                               | 4,6                              | 1,12 | 5,5   | 1,43 | 6,4   | 1,78 | 6,8   | 1,87 | 7,2  | 1,88 |
| 43     | 4,6                              | 1,17                             | 5,5  | 1,48  | 6,4  | 1,83  | 6,8  | 1,88  | 7,2  | 1,90 |      |
| 25%    | 0                                | 2,4                              | 0,28 | 2,9   | 0,34 | 3,4   | 0,41 | 3,6   | 0,44 | 3,8  | 0,47 |
|        | 5                                | 2,4                              | 0,29 | 2,9   | 0,35 | 3,4   | 0,42 | 3,6   | 0,46 | 3,8  | 0,49 |
|        | 10                               | 2,4                              | 0,35 | 2,9   | 0,39 | 3,4   | 0,44 | 3,6   | 0,47 | 3,8  | 0,51 |
|        | 15                               | 2,4                              | 0,37 | 2,9   | 0,41 | 3,4   | 0,46 | 3,6   | 0,50 | 3,8  | 0,53 |
|        | 20                               | 2,4                              | 0,39 | 2,9   | 0,43 | 3,4   | 0,49 | 3,6   | 0,54 | 3,8  | 0,59 |
|        | 25                               | 2,4                              | 0,42 | 2,9   | 0,49 | 3,4   | 0,58 | 3,6   | 0,64 | 3,8  | 0,70 |
|        | 30                               | 2,4                              | 0,49 | 2,9   | 0,57 | 3,4   | 0,68 | 3,6   | 0,75 | 3,8  | 0,81 |
|        | 35                               | 2,4                              | 0,56 | 2,9   | 0,67 | 3,4   | 0,80 | 3,6   | 0,89 | 3,8  | 0,89 |
|        | 40                               | 2,4                              | 0,62 | 2,9   | 0,74 | 3,4   | 0,90 | 3,6   | 0,94 | 3,8  | 0,95 |
| 43     | 2,4                              | 0,64                             | 2,9  | 0,77  | 3,4  | 0,92  | 3,6  | 0,95  | 3,8  | 0,96 |      |

kWf = Cooling capacity [kW]

kWe = Compressor + Fan power input [kW]

DB=Dry bulb

WB=Wet bulb

# Partial Load Cooling Performance with 100% Internal / External Power Ratio

## MSAN-XMi 160M/160T

| % Load | Outdoor air Temperature D.B.(°C) | Indoor air Temperature W.B. (°C) |      |       |      |       |      |       |      |      |      |
|--------|----------------------------------|----------------------------------|------|-------|------|-------|------|-------|------|------|------|
|        |                                  | 20/14                            |      | 23/16 |      | 26/18 |      | 27/19 |      | 28/0 |      |
|        |                                  | kWf                              | kWe  | kWf   | kWe  | kWf   | kWe  | kWf   | kWe  | kWf  | kWe  |
| 100%   | 0                                | 10,5                             | 1,41 | 12,5  | 1,70 | 14,5  | 2,02 | 15,5  | 2,18 | 16,5 | 2,35 |
|        | 5                                | 10,5                             | 1,46 | 12,5  | 1,76 | 14,5  | 2,09 | 15,5  | 2,26 | 16,5 | 2,43 |
|        | 10                               | 10,5                             | 1,51 | 12,5  | 1,83 | 14,5  | 2,17 | 15,5  | 2,35 | 16,5 | 2,53 |
|        | 15                               | 10,5                             | 1,59 | 12,5  | 1,93 | 14,5  | 2,28 | 15,5  | 2,46 | 16,5 | 2,65 |
|        | 20                               | 10,5                             | 1,66 | 12,5  | 2,02 | 14,5  | 2,41 | 15,5  | 2,66 | 16,5 | 2,92 |
|        | 25                               | 10,5                             | 1,83 | 12,5  | 2,32 | 14,5  | 2,87 | 15,5  | 3,17 | 16,5 | 3,47 |
|        | 30                               | 10,5                             | 2,15 | 12,5  | 2,73 | 14,5  | 3,38 | 15,5  | 3,74 | 16,3 | 4,03 |
|        | 35                               | 10,5                             | 2,50 | 12,5  | 3,19 | 14,5  | 3,97 | 15,5  | 4,39 | 15,7 | 4,41 |
|        | 40                               | 10,5                             | 2,89 | 12,5  | 3,68 | 14,5  | 4,59 | 14,9  | 4,72 | 15,2 | 4,76 |
|        | 43                               | 10,5                             | 3,09 | 12,5  | 3,87 | 14,5  | 4,75 | 14,5  | 4,79 | 14,9 | 4,84 |
| 75%    | 0                                | 7,8                              | 1,01 | 9,3   | 1,23 | 10,8  | 1,46 | 11,6  | 1,57 | 12,3 | 1,69 |
|        | 5                                | 7,8                              | 1,05 | 9,3   | 1,27 | 10,8  | 1,50 | 11,6  | 1,63 | 12,3 | 1,75 |
|        | 10                               | 7,8                              | 1,09 | 9,3   | 1,32 | 10,8  | 1,57 | 11,6  | 1,69 | 12,3 | 1,82 |
|        | 15                               | 7,8                              | 1,14 | 9,3   | 1,39 | 10,8  | 1,64 | 11,6  | 1,78 | 12,3 | 1,91 |
|        | 20                               | 7,8                              | 1,20 | 9,3   | 1,46 | 10,8  | 1,74 | 11,6  | 1,92 | 12,3 | 2,11 |
|        | 25                               | 7,8                              | 1,32 | 9,3   | 1,67 | 10,8  | 2,07 | 11,6  | 2,28 | 12,3 | 2,51 |
|        | 30                               | 7,8                              | 1,55 | 9,3   | 1,97 | 10,8  | 2,44 | 11,6  | 2,70 | 12,3 | 2,90 |
|        | 35                               | 7,8                              | 1,80 | 9,3   | 2,30 | 10,8  | 2,86 | 11,6  | 3,17 | 12,3 | 3,18 |
|        | 40                               | 7,8                              | 2,08 | 9,3   | 2,65 | 10,8  | 3,31 | 11,6  | 3,40 | 12,3 | 3,43 |
|        | 43                               | 7,8                              | 2,23 | 9,3   | 2,79 | 10,8  | 3,43 | 11,6  | 3,45 | 12,3 | 3,49 |
| 50%    | 0                                | 5,1                              | 0,64 | 6,1   | 0,77 | 7,1   | 0,91 | 7,5   | 0,99 | 8,0  | 1,06 |
|        | 5                                | 5,1                              | 0,66 | 6,1   | 0,80 | 7,1   | 0,94 | 7,5   | 1,02 | 8,0  | 1,10 |
|        | 10                               | 5,1                              | 0,69 | 6,1   | 0,83 | 7,1   | 0,98 | 7,5   | 1,06 | 8,0  | 1,14 |
|        | 15                               | 5,1                              | 0,72 | 6,1   | 0,87 | 7,1   | 1,03 | 7,5   | 1,11 | 8,0  | 1,20 |
|        | 20                               | 5,1                              | 0,75 | 6,1   | 0,91 | 7,1   | 1,09 | 7,5   | 1,20 | 8,0  | 1,32 |
|        | 25                               | 5,1                              | 0,83 | 6,1   | 1,05 | 7,1   | 1,30 | 7,5   | 1,43 | 8,0  | 1,57 |
|        | 30                               | 5,1                              | 0,97 | 6,1   | 1,23 | 7,1   | 1,53 | 7,5   | 1,69 | 8,0  | 1,82 |
|        | 35                               | 5,1                              | 1,13 | 6,1   | 1,44 | 7,1   | 1,80 | 7,5   | 1,99 | 8,0  | 1,99 |
|        | 40                               | 5,1                              | 1,26 | 6,1   | 1,61 | 7,1   | 2,01 | 7,5   | 2,10 | 8,0  | 2,12 |
|        | 43                               | 5,1                              | 1,32 | 6,1   | 1,67 | 7,1   | 2,06 | 7,5   | 2,12 | 8,0  | 2,14 |
| 25%    | 0                                | 2,7                              | 0,32 | 3,2   | 0,39 | 3,7   | 0,46 | 4,0   | 0,50 | 4,2  | 0,53 |
|        | 5                                | 2,7                              | 0,33 | 3,2   | 0,40 | 3,7   | 0,47 | 4,0   | 0,51 | 4,2  | 0,55 |
|        | 10                               | 2,7                              | 0,39 | 3,2   | 0,44 | 3,7   | 0,49 | 4,0   | 0,53 | 4,2  | 0,57 |
|        | 15                               | 2,7                              | 0,42 | 3,2   | 0,46 | 3,7   | 0,52 | 4,0   | 0,56 | 4,2  | 0,60 |
|        | 20                               | 2,7                              | 0,44 | 3,2   | 0,48 | 3,7   | 0,55 | 4,0   | 0,61 | 4,2  | 0,66 |
|        | 25                               | 2,7                              | 0,48 | 3,2   | 0,55 | 3,7   | 0,65 | 4,0   | 0,72 | 4,2  | 0,79 |
|        | 30                               | 2,7                              | 0,55 | 3,2   | 0,64 | 3,7   | 0,77 | 4,0   | 0,85 | 4,2  | 0,92 |
|        | 35                               | 2,7                              | 0,63 | 3,2   | 0,75 | 3,7   | 0,90 | 4,0   | 1,00 | 4,2  | 1,00 |
|        | 40                               | 2,7                              | 0,70 | 3,2   | 0,83 | 3,7   | 1,01 | 4,0   | 1,06 | 4,2  | 1,07 |
|        | 43                               | 2,7                              | 0,72 | 3,2   | 0,86 | 3,7   | 1,03 | 4,0   | 1,07 | 4,2  | 1,08 |

kWf = Cooling capacity [kW]  
 kWe = Compressor + Fan power input [kW]  
 DB=Dry bulb  
 WB=Wet bulb

# Partial Load Cooling Performance with 100% Internal / External Power Ratio

## MSAN-XMi 180T

| % Load | Outdoor air Temperature D.B.(°C) | Indoor air Temperature W.B. (°C) |      |       |      |       |      |       |      |      |      |
|--------|----------------------------------|----------------------------------|------|-------|------|-------|------|-------|------|------|------|
|        |                                  | 20/14                            |      | 23/16 |      | 26/18 |      | 27/19 |      | 28/0 |      |
|        |                                  | kWf                              | kWe  | kWf   | kWe  | kWf   | kWe  | kWf   | kWe  | kWf  | kWe  |
| 100%   | 0                                | 11,8                             | 1,76 | 14,1  | 2,12 | 16,4  | 2,52 | 17,5  | 2,72 | 18,6 | 2,93 |
|        | 5                                | 11,8                             | 1,82 | 14,1  | 2,19 | 16,4  | 2,60 | 17,5  | 2,82 | 18,6 | 3,02 |
|        | 10                               | 11,8                             | 1,89 | 14,1  | 2,29 | 16,4  | 2,71 | 17,5  | 2,93 | 18,6 | 3,15 |
|        | 15                               | 11,8                             | 1,97 | 14,1  | 2,40 | 16,4  | 2,84 | 17,5  | 3,07 | 18,6 | 3,30 |
|        | 20                               | 11,8                             | 2,06 | 14,1  | 2,51 | 16,4  | 3,01 | 17,5  | 3,32 | 18,6 | 3,64 |
|        | 25                               | 11,8                             | 2,28 | 14,1  | 2,89 | 16,4  | 3,58 | 17,5  | 3,94 | 18,6 | 4,33 |
|        | 30                               | 11,8                             | 2,68 | 14,1  | 3,40 | 16,4  | 4,22 | 17,5  | 4,66 | 18,5 | 5,02 |
|        | 35                               | 11,8                             | 3,11 | 14,1  | 3,97 | 16,4  | 4,95 | 17,5  | 5,47 | 17,7 | 5,49 |
|        | 40                               | 11,8                             | 3,60 | 14,1  | 4,58 | 16,4  | 5,72 | 16,8  | 5,87 | 17,1 | 5,93 |
|        | 43                               | 11,8                             | 3,84 | 14,1  | 4,83 | 16,4  | 5,92 | 16,4  | 5,96 | 16,9 | 6,03 |
| 75%    | 0                                | 8,8                              | 1,21 | 10,5  | 1,46 | 12,2  | 1,74 | 13,1  | 1,87 | 13,9 | 2,02 |
|        | 5                                | 8,8                              | 1,25 | 10,5  | 1,51 | 12,2  | 1,79 | 13,1  | 1,94 | 13,9 | 2,08 |
|        | 10                               | 8,8                              | 1,30 | 10,5  | 1,58 | 12,2  | 1,87 | 13,1  | 2,02 | 13,9 | 2,17 |
|        | 15                               | 8,8                              | 1,36 | 10,5  | 1,65 | 12,2  | 1,96 | 13,1  | 2,11 | 13,9 | 2,27 |
|        | 20                               | 8,8                              | 1,42 | 10,5  | 1,73 | 12,2  | 2,07 | 13,1  | 2,29 | 13,9 | 2,51 |
|        | 25                               | 8,8                              | 1,57 | 10,5  | 1,99 | 12,2  | 2,47 | 13,1  | 2,72 | 13,9 | 2,98 |
|        | 30                               | 8,8                              | 1,84 | 10,5  | 2,34 | 12,2  | 2,90 | 13,1  | 3,21 | 13,9 | 3,46 |
|        | 35                               | 8,8                              | 2,14 | 10,5  | 2,74 | 12,2  | 3,41 | 13,1  | 3,77 | 13,9 | 3,79 |
|        | 40                               | 8,8                              | 2,48 | 10,5  | 3,16 | 12,2  | 3,94 | 13,1  | 4,05 | 13,9 | 4,09 |
|        | 43                               | 8,8                              | 2,65 | 10,5  | 3,33 | 12,2  | 4,08 | 13,1  | 4,11 | 13,9 | 4,16 |
| 50%    | 0                                | 5,7                              | 0,76 | 6,8   | 0,92 | 8,0   | 1,09 | 8,5   | 1,18 | 9,1  | 1,27 |
|        | 5                                | 5,7                              | 0,79 | 6,8   | 0,95 | 8,0   | 1,12 | 8,5   | 1,22 | 9,1  | 1,31 |
|        | 10                               | 5,7                              | 0,82 | 6,8   | 0,99 | 8,0   | 1,17 | 8,5   | 1,27 | 9,1  | 1,36 |
|        | 15                               | 5,7                              | 0,85 | 6,8   | 1,04 | 8,0   | 1,23 | 8,5   | 1,33 | 9,1  | 1,43 |
|        | 20                               | 5,7                              | 0,89 | 6,8   | 1,09 | 8,0   | 1,30 | 8,5   | 1,43 | 9,1  | 1,58 |
|        | 25                               | 5,7                              | 0,99 | 6,8   | 1,25 | 8,0   | 1,55 | 8,5   | 1,71 | 9,1  | 1,87 |
|        | 30                               | 5,7                              | 1,16 | 6,8   | 1,47 | 8,0   | 1,82 | 8,5   | 2,01 | 9,1  | 2,17 |
|        | 35                               | 5,7                              | 1,35 | 6,8   | 1,72 | 8,0   | 2,14 | 8,5   | 2,37 | 9,1  | 2,38 |
|        | 40                               | 5,7                              | 1,51 | 6,8   | 1,92 | 8,0   | 2,39 | 8,5   | 2,50 | 9,1  | 2,52 |
|        | 43                               | 5,7                              | 1,57 | 6,8   | 1,98 | 8,0   | 2,45 | 8,5   | 2,53 | 9,1  | 2,55 |
| 25%    | 0                                | 3,0                              | 0,38 | 3,6   | 0,46 | 4,2   | 0,55 | 4,5   | 0,59 | 4,8  | 0,64 |
|        | 5                                | 3,0                              | 0,40 | 3,6   | 0,48 | 4,2   | 0,56 | 4,5   | 0,61 | 4,8  | 0,66 |
|        | 10                               | 3,0                              | 0,47 | 3,6   | 0,53 | 4,2   | 0,59 | 4,5   | 0,64 | 4,8  | 0,68 |
|        | 15                               | 3,0                              | 0,50 | 3,6   | 0,55 | 4,2   | 0,62 | 4,5   | 0,67 | 4,8  | 0,72 |
|        | 20                               | 3,0                              | 0,52 | 3,6   | 0,58 | 4,2   | 0,65 | 4,5   | 0,72 | 4,8  | 0,79 |
|        | 25                               | 3,0                              | 0,57 | 3,6   | 0,66 | 4,2   | 0,78 | 4,5   | 0,86 | 4,8  | 0,94 |
|        | 30                               | 3,0                              | 0,65 | 3,6   | 0,77 | 4,2   | 0,92 | 4,5   | 1,01 | 4,8  | 1,09 |
|        | 35                               | 3,0                              | 0,75 | 3,6   | 0,89 | 4,2   | 1,08 | 4,5   | 1,19 | 4,8  | 1,19 |
|        | 40                               | 3,0                              | 0,83 | 3,6   | 0,99 | 4,2   | 1,20 | 4,5   | 1,26 | 4,8  | 1,27 |
|        | 43                               | 3,0                              | 0,86 | 3,6   | 1,03 | 4,2   | 1,23 | 4,5   | 1,27 | 4,8  | 1,28 |

kWf = Cooling capacity [kW]  
 kWe = Compressor + Fan power input [kW]  
 DB=Dry bulb  
 WB=Wet bulb

# Partial Load Cooling Performance with 100% Internal / External Power Ratio

## MSAN-XMi 200T

| % Load | Outdoor air Temperature D.B.(°C) | Indoor air Temperature W.B. (°C) |      |       |      |       |      |       |      |      |      |
|--------|----------------------------------|----------------------------------|------|-------|------|-------|------|-------|------|------|------|
|        |                                  | 20/14                            |      | 23/16 |      | 26/18 |      | 27/19 |      | 28/0 |      |
|        |                                  | kWf                              | kWe  | kWf   | kWe  | kWf   | kWe  | kWf   | kWe  | kWf  | kWe  |
| 100%   | 0                                | 13,5                             | 2,04 | 16,1  | 2,46 | 18,7  | 2,92 | 20,0  | 3,16 | 21,3 | 3,40 |
|        | 5                                | 13,5                             | 2,11 | 16,1  | 2,54 | 18,7  | 3,02 | 20,0  | 3,27 | 21,3 | 3,51 |
|        | 10                               | 13,5                             | 2,19 | 16,1  | 2,65 | 18,7  | 3,14 | 20,0  | 3,40 | 21,3 | 3,65 |
|        | 15                               | 13,5                             | 2,29 | 16,1  | 2,79 | 18,7  | 3,30 | 20,0  | 3,56 | 21,3 | 3,83 |
|        | 20                               | 13,5                             | 2,40 | 16,1  | 2,92 | 18,7  | 3,49 | 20,0  | 3,85 | 21,3 | 4,23 |
|        | 25                               | 13,5                             | 2,64 | 16,1  | 3,35 | 18,7  | 4,15 | 20,0  | 4,58 | 21,3 | 5,02 |
|        | 30                               | 13,5                             | 3,10 | 16,1  | 3,95 | 18,7  | 4,89 | 20,0  | 5,41 | 21,1 | 5,82 |
|        | 35                               | 13,5                             | 3,61 | 16,1  | 4,61 | 18,7  | 5,74 | 20,0  | 6,35 | 20,2 | 6,38 |
|        | 40                               | 13,5                             | 4,18 | 16,1  | 5,32 | 18,7  | 6,63 | 19,3  | 6,82 | 19,5 | 6,88 |
|        | 43                               | 13,5                             | 4,46 | 16,1  | 5,60 | 18,7  | 6,88 | 18,8  | 6,92 | 19,3 | 7,00 |
| 75%    | 0                                | 10,1                             | 1,39 | 12,0  | 1,68 | 14,0  | 2,00 | 14,9  | 2,16 | 15,9 | 2,32 |
|        | 5                                | 10,1                             | 1,44 | 12,0  | 1,74 | 14,0  | 2,06 | 14,9  | 2,24 | 15,9 | 2,40 |
|        | 10                               | 10,1                             | 1,50 | 12,0  | 1,81 | 14,0  | 2,15 | 14,9  | 2,32 | 15,9 | 2,50 |
|        | 15                               | 10,1                             | 1,56 | 12,0  | 1,90 | 14,0  | 2,25 | 14,9  | 2,43 | 15,9 | 2,62 |
|        | 20                               | 10,1                             | 1,64 | 12,0  | 2,00 | 14,0  | 2,39 | 14,9  | 2,63 | 15,9 | 2,89 |
|        | 25                               | 10,1                             | 1,81 | 12,0  | 2,29 | 14,0  | 2,84 | 14,9  | 3,13 | 15,9 | 3,43 |
|        | 30                               | 10,1                             | 2,12 | 12,0  | 2,70 | 14,0  | 3,34 | 14,9  | 3,69 | 15,9 | 3,98 |
|        | 35                               | 10,1                             | 2,47 | 12,0  | 3,15 | 14,0  | 3,93 | 14,9  | 4,34 | 15,9 | 4,36 |
|        | 40                               | 10,1                             | 2,86 | 12,0  | 3,63 | 14,0  | 4,53 | 14,9  | 4,66 | 15,9 | 4,70 |
|        | 43                               | 10,1                             | 3,05 | 12,0  | 3,83 | 14,0  | 4,70 | 14,9  | 4,73 | 15,9 | 4,79 |
| 50%    | 0                                | 6,6                              | 0,87 | 7,8   | 1,05 | 9,1   | 1,25 | 9,7   | 1,35 | 10,4 | 1,46 |
|        | 5                                | 6,6                              | 0,91 | 7,8   | 1,09 | 9,1   | 1,29 | 9,7   | 1,40 | 10,4 | 1,50 |
|        | 10                               | 6,6                              | 0,94 | 7,8   | 1,14 | 9,1   | 1,35 | 9,7   | 1,46 | 10,4 | 1,57 |
|        | 15                               | 6,6                              | 0,98 | 7,8   | 1,19 | 9,1   | 1,41 | 9,7   | 1,53 | 10,4 | 1,64 |
|        | 20                               | 6,6                              | 1,03 | 7,8   | 1,25 | 9,1   | 1,50 | 9,7   | 1,65 | 10,4 | 1,81 |
|        | 25                               | 6,6                              | 1,13 | 7,8   | 1,44 | 9,1   | 1,78 | 9,7   | 1,96 | 10,4 | 2,15 |
|        | 30                               | 6,6                              | 1,33 | 7,8   | 1,69 | 9,1   | 2,10 | 9,7   | 2,32 | 10,4 | 2,50 |
|        | 35                               | 6,6                              | 1,55 | 7,8   | 1,98 | 9,1   | 2,46 | 9,7   | 2,72 | 10,4 | 2,73 |
|        | 40                               | 6,6                              | 1,73 | 7,8   | 2,21 | 9,1   | 2,76 | 9,7   | 2,88 | 10,4 | 2,90 |
|        | 43                               | 6,6                              | 1,81 | 7,8   | 2,28 | 9,1   | 2,82 | 9,7   | 2,91 | 10,4 | 2,93 |
| 25%    | 0                                | 3,5                              | 0,44 | 4,1   | 0,53 | 4,8   | 0,63 | 5,1   | 0,68 | 5,5  | 0,73 |
|        | 5                                | 3,5                              | 0,46 | 4,1   | 0,55 | 4,8   | 0,65 | 5,1   | 0,71 | 5,5  | 0,76 |
|        | 10                               | 3,5                              | 0,54 | 4,1   | 0,60 | 4,8   | 0,68 | 5,1   | 0,73 | 5,5  | 0,79 |
|        | 15                               | 3,5                              | 0,57 | 4,1   | 0,63 | 4,8   | 0,71 | 5,1   | 0,77 | 5,5  | 0,83 |
|        | 20                               | 3,5                              | 0,60 | 4,1   | 0,66 | 4,8   | 0,75 | 5,1   | 0,83 | 5,5  | 0,91 |
|        | 25                               | 3,5                              | 0,65 | 4,1   | 0,76 | 4,8   | 0,89 | 5,1   | 0,99 | 5,5  | 1,08 |
|        | 30                               | 3,5                              | 0,75 | 4,1   | 0,88 | 4,8   | 1,05 | 5,1   | 1,17 | 5,5  | 1,25 |
|        | 35                               | 3,5                              | 0,86 | 4,1   | 1,03 | 4,8   | 1,24 | 5,1   | 1,37 | 5,5  | 1,37 |
|        | 40                               | 3,5                              | 0,95 | 4,1   | 1,14 | 4,8   | 1,39 | 5,1   | 1,45 | 5,5  | 1,46 |
|        | 43                               | 3,5                              | 0,99 | 4,1   | 1,18 | 4,8   | 1,42 | 5,1   | 1,46 | 5,5  | 1,48 |

kWf = Cooling capacity [kW]

kWe = Compressor + Fan power input [kW]

DB=Dry bulb

WB=Wet bulb

# Partial Load Cooling Performance with 100% Internal / External Power Ratio

## MSAN-XMi 224T

| % Load | Outdoor air Temperature D.B.(°C) | Indoor air Temperature W.B. (°C) |      |       |      |       |      |       |      |      |      |
|--------|----------------------------------|----------------------------------|------|-------|------|-------|------|-------|------|------|------|
|        |                                  | 20/14                            |      | 23/16 |      | 26/18 |      | 27/19 |      | 28/0 |      |
|        |                                  | kWf                              | kWe  | kWf   | kWe  | kWf   | kWe  | kWf   | kWe  | kWf  | kWe  |
| 100%   | 0                                | 15,1                             | 2,19 | 18,0  | 2,64 | 21,0  | 3,13 | 22,4  | 3,38 | 23,8 | 3,64 |
|        | 5                                | 15,1                             | 2,27 | 18,0  | 2,73 | 21,0  | 3,24 | 22,4  | 3,51 | 23,8 | 3,76 |
|        | 10                               | 15,1                             | 2,35 | 18,0  | 2,85 | 21,0  | 3,37 | 22,4  | 3,64 | 23,8 | 3,92 |
|        | 15                               | 15,1                             | 2,46 | 18,0  | 2,99 | 21,0  | 3,54 | 22,4  | 3,82 | 23,8 | 4,11 |
|        | 20                               | 15,1                             | 2,57 | 18,0  | 3,13 | 21,0  | 3,74 | 22,4  | 4,13 | 23,8 | 4,53 |
|        | 25                               | 15,1                             | 2,84 | 18,0  | 3,60 | 21,0  | 4,45 | 22,4  | 4,91 | 23,8 | 5,39 |
|        | 30                               | 15,1                             | 3,33 | 18,0  | 4,23 | 21,0  | 5,25 | 22,4  | 5,80 | 23,6 | 6,24 |
|        | 35                               | 15,1                             | 3,87 | 18,0  | 4,95 | 21,0  | 6,16 | 22,4  | 6,81 | 22,6 | 6,84 |
|        | 40                               | 15,1                             | 4,48 | 18,0  | 5,70 | 21,0  | 7,11 | 21,5  | 7,32 | 21,9 | 7,38 |
| 43     | 15,1                             | 4,79                             | 18,0 | 6,01  | 21,0 | 7,37  | 21,0 | 7,42  | 21,6 | 7,51 |      |
| 75%    | 0                                | 11,3                             | 1,55 | 13,4  | 1,87 | 15,6  | 2,23 | 16,7  | 2,41 | 17,8 | 2,59 |
|        | 5                                | 11,3                             | 1,61 | 13,4  | 1,94 | 15,6  | 2,30 | 16,7  | 2,49 | 17,8 | 2,67 |
|        | 10                               | 11,3                             | 1,67 | 13,4  | 2,02 | 15,6  | 2,39 | 16,7  | 2,59 | 17,8 | 2,78 |
|        | 15                               | 11,3                             | 1,74 | 13,4  | 2,12 | 15,6  | 2,51 | 16,7  | 2,71 | 17,8 | 2,92 |
|        | 20                               | 11,3                             | 1,83 | 13,4  | 2,22 | 15,6  | 2,66 | 16,7  | 2,93 | 17,8 | 3,22 |
|        | 25                               | 11,3                             | 2,02 | 13,4  | 2,56 | 15,6  | 3,16 | 16,7  | 3,49 | 17,8 | 3,83 |
|        | 30                               | 11,3                             | 2,36 | 13,4  | 3,01 | 15,6  | 3,73 | 16,7  | 4,12 | 17,8 | 4,43 |
|        | 35                               | 11,3                             | 2,75 | 13,4  | 3,52 | 15,6  | 4,38 | 16,7  | 4,84 | 17,8 | 4,86 |
|        | 40                               | 11,3                             | 3,18 | 13,4  | 4,05 | 15,6  | 5,05 | 16,7  | 5,20 | 17,8 | 5,24 |
| 43     | 11,3                             | 3,40                             | 13,4 | 4,27  | 15,6 | 5,24  | 16,7 | 5,28  | 17,8 | 5,34 |      |
| 50%    | 0                                | 7,4                              | 0,97 | 8,8   | 1,17 | 10,2  | 1,40 | 10,9  | 1,51 | 11,6 | 1,62 |
|        | 5                                | 7,4                              | 1,01 | 8,8   | 1,22 | 10,2  | 1,44 | 10,9  | 1,56 | 11,6 | 1,68 |
|        | 10                               | 7,4                              | 1,05 | 8,8   | 1,27 | 10,2  | 1,50 | 10,9  | 1,62 | 11,6 | 1,75 |
|        | 15                               | 7,4                              | 1,09 | 8,8   | 1,33 | 10,2  | 1,57 | 10,9  | 1,70 | 11,6 | 1,83 |
|        | 20                               | 7,4                              | 1,15 | 8,8   | 1,39 | 10,2  | 1,67 | 10,9  | 1,84 | 11,6 | 2,02 |
|        | 25                               | 7,4                              | 1,26 | 8,8   | 1,60 | 10,2  | 1,98 | 10,9  | 2,19 | 11,6 | 2,40 |
|        | 30                               | 7,4                              | 1,48 | 8,8   | 1,89 | 10,2  | 2,34 | 10,9  | 2,58 | 11,6 | 2,78 |
|        | 35                               | 7,4                              | 1,73 | 8,8   | 2,20 | 10,2  | 2,74 | 10,9  | 3,04 | 11,6 | 3,05 |
|        | 40                               | 7,4                              | 1,93 | 8,8   | 2,46 | 10,2  | 3,07 | 10,9  | 3,21 | 11,6 | 3,24 |
| 43     | 7,4                              | 2,01                             | 8,8  | 2,55  | 10,2 | 3,14  | 10,9 | 3,24  | 11,6 | 3,27 |      |
| 25%    | 0                                | 3,9                              | 0,49 | 4,6   | 0,59 | 5,4   | 0,70 | 5,7   | 0,76 | 6,1  | 0,82 |
|        | 5                                | 3,9                              | 0,51 | 4,6   | 0,61 | 5,4   | 0,72 | 5,7   | 0,79 | 6,1  | 0,84 |
|        | 10                               | 3,9                              | 0,60 | 4,6   | 0,67 | 5,4   | 0,75 | 5,7   | 0,82 | 6,1  | 0,88 |
|        | 15                               | 3,9                              | 0,64 | 4,6   | 0,71 | 5,4   | 0,79 | 5,7   | 0,86 | 6,1  | 0,92 |
|        | 20                               | 3,9                              | 0,67 | 4,6   | 0,74 | 5,4   | 0,84 | 5,7   | 0,93 | 6,1  | 1,02 |
|        | 25                               | 3,9                              | 0,73 | 4,6   | 0,84 | 5,4   | 1,00 | 5,7   | 1,10 | 6,1  | 1,21 |
|        | 30                               | 3,9                              | 0,84 | 4,6   | 0,98 | 5,4   | 1,18 | 5,7   | 1,30 | 6,1  | 1,40 |
|        | 35                               | 3,9                              | 0,96 | 4,6   | 1,15 | 5,4   | 1,38 | 5,7   | 1,53 | 6,1  | 1,53 |
|        | 40                               | 3,9                              | 1,06 | 4,6   | 1,28 | 5,4   | 1,54 | 5,7   | 1,62 | 6,1  | 1,63 |
| 43     | 3,9                              | 1,11                             | 4,6  | 1,32  | 5,4  | 1,58  | 5,7  | 1,63  | 6,1  | 1,64 |      |

kWf = Cooling capacity [kW]

kWe = Compressor + Fan power input [kW]

DB=Dry bulb

WB=Wet bulb

# Partial Load Cooling Performance with 100% Internal / External Power Ratio

## MSAN-XMi 260T

| % Load | Outdoor air Temperature D.B.(°C) | Indoor air Temperature W.B. (°C) |      |       |      |       |      |       |      |      |      |
|--------|----------------------------------|----------------------------------|------|-------|------|-------|------|-------|------|------|------|
|        |                                  | 20/14                            |      | 23/16 |      | 26/18 |      | 27/19 |      | 28/0 |      |
|        |                                  | kWf                              | kWe  | kWf   | kWe  | kWf   | kWe  | kWf   | kWe  | kWf  | kWe  |
| 100%   | 0                                | 17,6                             | 2,61 | 20,9  | 3,15 | 24,3  | 3,74 | 26,0  | 4,04 | 27,7 | 4,35 |
|        | 5                                | 17,6                             | 2,70 | 20,9  | 3,25 | 24,3  | 3,87 | 26,0  | 4,19 | 27,7 | 4,49 |
|        | 10                               | 17,6                             | 2,80 | 20,9  | 3,40 | 24,3  | 4,02 | 26,0  | 4,35 | 27,7 | 4,68 |
|        | 15                               | 17,6                             | 2,93 | 20,9  | 3,56 | 24,3  | 4,22 | 26,0  | 4,56 | 27,7 | 4,90 |
|        | 20                               | 17,6                             | 3,07 | 20,9  | 3,74 | 24,3  | 4,47 | 26,0  | 4,93 | 27,7 | 5,41 |
|        | 25                               | 17,6                             | 3,39 | 20,9  | 4,30 | 24,3  | 5,31 | 26,0  | 5,86 | 27,7 | 6,43 |
|        | 30                               | 17,6                             | 3,98 | 20,9  | 5,06 | 24,3  | 6,26 | 26,0  | 6,92 | 27,4 | 7,45 |
|        | 35                               | 17,6                             | 4,62 | 20,9  | 5,91 | 24,3  | 7,35 | 26,0  | 8,13 | 26,3 | 8,16 |
|        | 40                               | 17,6                             | 5,35 | 20,9  | 6,81 | 24,3  | 8,49 | 25,0  | 8,73 | 25,3 | 8,81 |
|        | 43                               | 17,6                             | 5,71 | 20,9  | 7,17 | 24,3  | 8,80 | 24,4  | 8,86 | 25,1 | 8,96 |
| 75%    | 0                                | 13,1                             | 1,73 | 15,6  | 2,09 | 18,2  | 2,49 | 19,4  | 2,69 | 20,7 | 2,89 |
|        | 5                                | 13,1                             | 1,80 | 15,6  | 2,17 | 18,2  | 2,57 | 19,4  | 2,79 | 20,7 | 2,99 |
|        | 10                               | 13,1                             | 1,87 | 15,6  | 2,26 | 18,2  | 2,68 | 19,4  | 2,89 | 20,7 | 3,11 |
|        | 15                               | 13,1                             | 1,95 | 15,6  | 2,37 | 18,2  | 2,81 | 19,4  | 3,03 | 20,7 | 3,26 |
|        | 20                               | 13,1                             | 2,04 | 15,6  | 2,49 | 18,2  | 2,97 | 19,4  | 3,28 | 20,7 | 3,60 |
|        | 25                               | 13,1                             | 2,25 | 15,6  | 2,86 | 18,2  | 3,54 | 19,4  | 3,90 | 20,7 | 4,28 |
|        | 30                               | 13,1                             | 2,64 | 15,6  | 3,36 | 18,2  | 4,17 | 19,4  | 4,60 | 20,7 | 4,96 |
|        | 35                               | 13,1                             | 3,08 | 15,6  | 3,93 | 18,2  | 4,89 | 19,4  | 5,41 | 20,7 | 5,43 |
|        | 40                               | 13,1                             | 3,56 | 15,6  | 4,53 | 18,2  | 5,65 | 19,4  | 5,81 | 20,7 | 5,86 |
|        | 43                               | 13,1                             | 3,80 | 15,6  | 4,77 | 18,2  | 5,86 | 19,4  | 5,90 | 20,7 | 5,96 |
| 50%    | 0                                | 8,5                              | 1,09 | 10,2  | 1,31 | 11,8  | 1,56 | 12,6  | 1,69 | 13,5 | 1,81 |
|        | 5                                | 8,5                              | 1,13 | 10,2  | 1,36 | 11,8  | 1,61 | 12,6  | 1,75 | 13,5 | 1,87 |
|        | 10                               | 8,5                              | 1,17 | 10,2  | 1,42 | 11,8  | 1,68 | 12,6  | 1,81 | 13,5 | 1,95 |
|        | 15                               | 8,5                              | 1,22 | 10,2  | 1,49 | 11,8  | 1,76 | 12,6  | 1,90 | 13,5 | 2,05 |
|        | 20                               | 8,5                              | 1,28 | 10,2  | 1,56 | 11,8  | 1,87 | 12,6  | 2,06 | 13,5 | 2,26 |
|        | 25                               | 8,5                              | 1,41 | 10,2  | 1,79 | 11,8  | 2,22 | 12,6  | 2,45 | 13,5 | 2,68 |
|        | 30                               | 8,5                              | 1,66 | 10,2  | 2,11 | 11,8  | 2,61 | 12,6  | 2,89 | 13,5 | 3,11 |
|        | 35                               | 8,5                              | 1,93 | 10,2  | 2,46 | 11,8  | 3,07 | 12,6  | 3,39 | 13,5 | 3,41 |
|        | 40                               | 8,5                              | 2,16 | 10,2  | 2,75 | 11,8  | 3,43 | 12,6  | 3,59 | 13,5 | 3,62 |
|        | 43                               | 8,5                              | 2,25 | 10,2  | 2,85 | 11,8  | 3,51 | 12,6  | 3,62 | 13,5 | 3,66 |
| 25%    | 0                                | 4,5                              | 0,55 | 5,4   | 0,66 | 6,2   | 0,78 | 6,7   | 0,85 | 7,1  | 0,91 |
|        | 5                                | 4,5                              | 0,57 | 5,4   | 0,68 | 6,2   | 0,81 | 6,7   | 0,88 | 7,1  | 0,94 |
|        | 10                               | 4,5                              | 0,67 | 5,4   | 0,75 | 6,2   | 0,84 | 6,7   | 0,91 | 7,1  | 0,98 |
|        | 15                               | 4,5                              | 0,71 | 5,4   | 0,79 | 6,2   | 0,88 | 6,7   | 0,96 | 7,1  | 1,03 |
|        | 20                               | 4,5                              | 0,75 | 5,4   | 0,82 | 6,2   | 0,94 | 6,7   | 1,03 | 7,1  | 1,14 |
|        | 25                               | 4,5                              | 0,81 | 5,4   | 0,94 | 6,2   | 1,11 | 6,7   | 1,23 | 7,1  | 1,35 |
|        | 30                               | 4,5                              | 0,94 | 5,4   | 1,10 | 6,2   | 1,31 | 6,7   | 1,45 | 7,1  | 1,56 |
|        | 35                               | 4,5                              | 1,07 | 5,4   | 1,28 | 6,2   | 1,54 | 6,7   | 1,71 | 7,1  | 1,71 |
|        | 40                               | 4,5                              | 1,19 | 5,4   | 1,43 | 6,2   | 1,73 | 6,7   | 1,81 | 7,1  | 1,82 |
|        | 43                               | 4,5                              | 1,24 | 5,4   | 1,47 | 6,2   | 1,77 | 6,7   | 1,82 | 7,1  | 1,84 |

kWf = Cooling capacity [kW]  
 kWe = Compressor + Fan power input [kW]  
 DB=Dry bulb  
 WB=Wet bulb

# Partial Load Cooling Performance with 100% Internal / External Power Ratio

## MSAN-XMi 400T

| % Load | Outdoor air Temperature D.B.(°C) | Indoor air Temperature W.B. (°C) |       |       |       |       |       |       |       |      |       |
|--------|----------------------------------|----------------------------------|-------|-------|-------|-------|-------|-------|-------|------|-------|
|        |                                  | 20/14                            |       | 23/16 |       | 26/18 |       | 27/19 |       | 28/0 |       |
|        |                                  | kWf                              | kWe   | kWf   | kWe   | kWf   | kWe   | kWf   | kWe   | kWf  | kWe   |
| 100%   | 0                                | 27,0                             | 4,84  | 32,1  | 5,84  | 37,4  | 6,94  | 40,0  | 7,50  | 42,6 | 8,07  |
|        | 5                                | 27,0                             | 5,02  | 32,1  | 6,04  | 37,4  | 7,17  | 40,0  | 7,78  | 42,6 | 8,33  |
|        | 10                               | 27,0                             | 5,21  | 32,1  | 6,30  | 37,4  | 7,46  | 40,0  | 8,07  | 42,6 | 8,68  |
|        | 15                               | 27,0                             | 5,44  | 32,1  | 6,61  | 37,4  | 7,83  | 40,0  | 8,46  | 42,6 | 9,10  |
|        | 20                               | 27,0                             | 5,69  | 32,1  | 6,94  | 37,4  | 8,30  | 40,0  | 9,15  | 42,6 | 10,05 |
|        | 25                               | 27,0                             | 6,28  | 32,1  | 7,97  | 37,4  | 9,86  | 40,0  | 10,88 | 42,6 | 11,94 |
|        | 30                               | 27,0                             | 7,38  | 32,1  | 9,38  | 37,4  | 11,63 | 40,0  | 12,85 | 42,2 | 13,83 |
|        | 35                               | 27,0                             | 8,58  | 32,1  | 10,96 | 37,4  | 13,65 | 40,0  | 15,09 | 40,4 | 15,15 |
|        | 40                               | 27,0                             | 9,93  | 32,1  | 12,64 | 37,4  | 15,76 | 38,4  | 16,21 | 39,0 | 16,36 |
|        | 43                               | 27,0                             | 10,61 | 32,1  | 13,31 | 37,4  | 16,34 | 37,5  | 16,45 | 38,6 | 16,64 |
| 75%    | 0                                | 20,1                             | 2,71  | 24,0  | 3,28  | 27,9  | 3,90  | 29,9  | 4,21  | 31,8 | 4,53  |
|        | 5                                | 20,1                             | 2,82  | 24,0  | 3,39  | 27,9  | 4,02  | 29,9  | 4,37  | 31,8 | 4,67  |
|        | 10                               | 20,1                             | 2,92  | 24,0  | 3,54  | 27,9  | 4,19  | 29,9  | 4,53  | 31,8 | 4,87  |
|        | 15                               | 20,1                             | 3,05  | 24,0  | 3,71  | 27,9  | 4,39  | 29,9  | 4,75  | 31,8 | 5,11  |
|        | 20                               | 20,1                             | 3,20  | 24,0  | 3,89  | 27,9  | 4,66  | 29,9  | 5,14  | 31,8 | 5,64  |
|        | 25                               | 20,1                             | 3,53  | 24,0  | 4,47  | 27,9  | 5,54  | 29,9  | 6,11  | 31,8 | 6,70  |
|        | 30                               | 20,1                             | 4,14  | 24,0  | 5,26  | 27,9  | 6,52  | 29,9  | 7,21  | 31,8 | 7,76  |
|        | 35                               | 20,1                             | 4,82  | 24,0  | 6,15  | 27,9  | 7,66  | 29,9  | 8,47  | 31,8 | 8,50  |
|        | 40                               | 20,1                             | 5,57  | 24,0  | 7,09  | 27,9  | 8,84  | 29,9  | 9,09  | 31,8 | 9,18  |
|        | 43                               | 20,1                             | 5,95  | 24,0  | 7,47  | 27,9  | 9,17  | 29,9  | 9,23  | 31,8 | 9,34  |
| 50%    | 0                                | 13,1                             | 1,70  | 15,6  | 2,06  | 18,2  | 2,44  | 19,5  | 2,64  | 20,7 | 2,84  |
|        | 5                                | 13,1                             | 1,77  | 15,6  | 2,13  | 18,2  | 2,52  | 19,5  | 2,74  | 20,7 | 2,93  |
|        | 10                               | 13,1                             | 1,83  | 15,6  | 2,22  | 18,2  | 2,63  | 19,5  | 2,84  | 20,7 | 3,06  |
|        | 15                               | 13,1                             | 1,91  | 15,6  | 2,33  | 18,2  | 2,76  | 19,5  | 2,98  | 20,7 | 3,20  |
|        | 20                               | 13,1                             | 2,00  | 15,6  | 2,44  | 18,2  | 2,92  | 19,5  | 3,22  | 20,7 | 3,54  |
|        | 25                               | 13,1                             | 2,21  | 15,6  | 2,81  | 18,2  | 3,47  | 19,5  | 3,83  | 20,7 | 4,20  |
|        | 30                               | 13,1                             | 2,59  | 15,6  | 3,30  | 18,2  | 4,09  | 19,5  | 4,52  | 20,7 | 4,87  |
|        | 35                               | 13,1                             | 3,02  | 15,6  | 3,86  | 18,2  | 4,80  | 19,5  | 5,31  | 20,7 | 5,33  |
|        | 40                               | 13,1                             | 3,38  | 15,6  | 4,31  | 18,2  | 5,38  | 19,5  | 5,62  | 20,7 | 5,66  |
|        | 43                               | 13,1                             | 3,53  | 15,6  | 4,46  | 18,2  | 5,50  | 19,5  | 5,67  | 20,7 | 5,72  |
| 25%    | 0                                | 6,9                              | 0,85  | 8,2   | 1,03  | 9,6   | 1,23  | 10,3  | 1,33  | 10,9 | 1,43  |
|        | 5                                | 6,9                              | 0,89  | 8,2   | 1,07  | 9,6   | 1,27  | 10,3  | 1,38  | 10,9 | 1,47  |
|        | 10                               | 6,9                              | 1,05  | 8,2   | 1,18  | 9,6   | 1,32  | 10,3  | 1,43  | 10,9 | 1,54  |
|        | 15                               | 6,9                              | 1,12  | 8,2   | 1,23  | 9,6   | 1,39  | 10,3  | 1,50  | 10,9 | 1,61  |
|        | 20                               | 6,9                              | 1,17  | 8,2   | 1,29  | 9,6   | 1,47  | 10,3  | 1,62  | 10,9 | 1,78  |
|        | 25                               | 6,9                              | 1,27  | 8,2   | 1,48  | 9,6   | 1,75  | 10,3  | 1,93  | 10,9 | 2,11  |
|        | 30                               | 6,9                              | 1,47  | 8,2   | 1,72  | 9,6   | 2,06  | 10,3  | 2,27  | 10,9 | 2,45  |
|        | 35                               | 6,9                              | 1,68  | 8,2   | 2,00  | 9,6   | 2,41  | 10,3  | 2,67  | 10,9 | 2,68  |
|        | 40                               | 6,9                              | 1,86  | 8,2   | 2,23  | 9,6   | 2,70  | 10,3  | 2,83  | 10,9 | 2,85  |
|        | 43                               | 6,9                              | 1,93  | 8,2   | 2,31  | 9,6   | 2,77  | 10,3  | 2,85  | 10,9 | 2,88  |

kWf = Cooling capacity [kW]  
 kWe = Compressor + Fan power input [kW]  
 DB=Dry bulb  
 WB=Wet bulb



# Partial Load Cooling Performance with 100% Internal / External Power Ratio

## MSAN-XMi 450T

| % Load | Outdoor air Temperature D.B.(°C) | Indoor air Temperature W.B. (°C) |      |       |       |       |       |       |       |      |       |
|--------|----------------------------------|----------------------------------|------|-------|-------|-------|-------|-------|-------|------|-------|
|        |                                  | 20/14                            |      | 23/16 |       | 26/18 |       | 27/19 |       | 28/0 |       |
|        |                                  | kWf                              | kWe  | kWf   | kWe   | kWf   | kWe   | kWf   | kWe   | kWf  | kWe   |
| 100%   | 0                                | 30,4                             | 4,35 | 36,2  | 5,24  | 42,1  | 6,23  | 45,0  | 6,73  | 47,9 | 7,25  |
|        | 5                                | 30,4                             | 4,50 | 36,2  | 5,42  | 42,1  | 6,44  | 45,0  | 6,99  | 47,9 | 7,48  |
|        | 10                               | 30,4                             | 4,67 | 36,2  | 5,66  | 42,1  | 6,70  | 45,0  | 7,25  | 47,9 | 7,80  |
|        | 15                               | 30,4                             | 4,89 | 36,2  | 5,94  | 42,1  | 7,03  | 45,0  | 7,60  | 47,9 | 8,17  |
|        | 20                               | 30,4                             | 5,11 | 36,2  | 6,23  | 42,1  | 7,45  | 45,0  | 8,22  | 47,9 | 9,02  |
|        | 25                               | 30,4                             | 5,64 | 36,2  | 7,16  | 42,1  | 8,86  | 45,0  | 9,77  | 47,9 | 10,72 |
|        | 30                               | 30,4                             | 6,62 | 36,2  | 8,42  | 42,1  | 10,44 | 45,0  | 11,54 | 47,4 | 12,42 |
|        | 35                               | 30,4                             | 7,71 | 36,2  | 9,84  | 42,1  | 12,25 | 45,0  | 13,55 | 45,5 | 13,60 |
|        | 40                               | 30,4                             | 8,92 | 36,2  | 11,35 | 42,1  | 14,16 | 43,3  | 14,55 | 43,9 | 14,69 |
|        | 43                               | 30,4                             | 9,52 | 36,2  | 11,95 | 42,1  | 14,67 | 42,2  | 14,77 | 43,4 | 14,94 |
| 75%    | 0                                | 22,7                             | 3,10 | 27,0  | 3,75  | 31,4  | 4,45  | 33,6  | 4,81  | 35,7 | 5,18  |
|        | 5                                | 22,7                             | 3,22 | 27,0  | 3,88  | 31,4  | 4,60  | 33,6  | 4,99  | 35,7 | 5,34  |
|        | 10                               | 22,7                             | 3,34 | 27,0  | 4,04  | 31,4  | 4,79  | 33,6  | 5,18  | 35,7 | 5,57  |
|        | 15                               | 22,7                             | 3,49 | 27,0  | 4,24  | 31,4  | 5,02  | 33,6  | 5,43  | 35,7 | 5,84  |
|        | 20                               | 22,7                             | 3,65 | 27,0  | 4,45  | 31,4  | 5,32  | 33,6  | 5,87  | 35,7 | 6,44  |
|        | 25                               | 22,7                             | 4,03 | 27,0  | 5,11  | 31,4  | 6,33  | 33,6  | 6,98  | 35,7 | 7,66  |
|        | 30                               | 22,7                             | 4,73 | 27,0  | 6,01  | 31,4  | 7,45  | 33,6  | 8,24  | 35,7 | 8,87  |
|        | 35                               | 22,7                             | 5,50 | 27,0  | 7,03  | 31,4  | 8,75  | 33,6  | 9,68  | 35,7 | 9,72  |
|        | 40                               | 22,7                             | 6,37 | 27,0  | 8,10  | 31,4  | 10,11 | 33,6  | 10,39 | 35,7 | 10,49 |
|        | 43                               | 22,7                             | 6,80 | 27,0  | 8,54  | 31,4  | 10,48 | 33,6  | 10,55 | 35,7 | 10,67 |
| 50%    | 0                                | 14,8                             | 1,94 | 17,6  | 2,35  | 20,5  | 2,79  | 21,9  | 3,02  | 23,3 | 3,25  |
|        | 5                                | 14,8                             | 2,02 | 17,6  | 2,43  | 20,5  | 2,88  | 21,9  | 3,13  | 23,3 | 3,35  |
|        | 10                               | 14,8                             | 2,09 | 17,6  | 2,54  | 20,5  | 3,00  | 21,9  | 3,25  | 23,3 | 3,49  |
|        | 15                               | 14,8                             | 2,19 | 17,6  | 2,66  | 20,5  | 3,15  | 21,9  | 3,40  | 23,3 | 3,66  |
|        | 20                               | 14,8                             | 2,29 | 17,6  | 2,79  | 20,5  | 3,34  | 21,9  | 3,68  | 23,3 | 4,04  |
|        | 25                               | 14,8                             | 2,53 | 17,6  | 3,21  | 20,5  | 3,97  | 21,9  | 4,38  | 23,3 | 4,80  |
|        | 30                               | 14,8                             | 2,97 | 17,6  | 3,77  | 20,5  | 4,68  | 21,9  | 5,17  | 23,3 | 5,56  |
|        | 35                               | 14,8                             | 3,45 | 17,6  | 4,41  | 20,5  | 5,49  | 21,9  | 6,07  | 23,3 | 6,09  |
|        | 40                               | 14,8                             | 3,87 | 17,6  | 4,93  | 20,5  | 6,14  | 21,9  | 6,42  | 23,3 | 6,47  |
|        | 43                               | 14,8                             | 4,03 | 17,6  | 5,09  | 20,5  | 6,28  | 21,9  | 6,48  | 23,3 | 6,54  |
| 25%    | 0                                | 7,8                              | 0,98 | 9,3   | 1,18  | 10,8  | 1,40  | 11,5  | 1,52  | 12,3 | 1,63  |
|        | 5                                | 7,8                              | 1,01 | 9,3   | 1,22  | 10,8  | 1,45  | 11,5  | 1,57  | 12,3 | 1,68  |
|        | 10                               | 7,8                              | 1,20 | 9,3   | 1,35  | 10,8  | 1,51  | 11,5  | 1,63  | 12,3 | 1,76  |
|        | 15                               | 7,8                              | 1,28 | 9,3   | 1,41  | 10,8  | 1,58  | 11,5  | 1,71  | 12,3 | 1,84  |
|        | 20                               | 7,8                              | 1,34 | 9,3   | 1,48  | 10,8  | 1,68  | 11,5  | 1,85  | 12,3 | 2,03  |
|        | 25                               | 7,8                              | 1,45 | 9,3   | 1,69  | 10,8  | 1,99  | 11,5  | 2,20  | 12,3 | 2,41  |
|        | 30                               | 7,8                              | 1,67 | 9,3   | 1,97  | 10,8  | 2,35  | 11,5  | 2,60  | 12,3 | 2,80  |
|        | 35                               | 7,8                              | 1,92 | 9,3   | 2,29  | 10,8  | 2,76  | 11,5  | 3,05  | 12,3 | 3,06  |
|        | 40                               | 7,8                              | 2,13 | 9,3   | 2,55  | 10,8  | 3,09  | 11,5  | 3,23  | 12,3 | 3,25  |
|        | 43                               | 7,8                              | 2,21 | 9,3   | 2,63  | 10,8  | 3,16  | 11,5  | 3,26  | 12,3 | 3,29  |

kWf = Cooling capacity [kW]  
 kWe = Compressor + Fan power input [kW]  
 DB=Dry bulb  
 WB=Wet bulb

# Partial Load Heating Performance with 100% Internal / External Power Ratio

## MSAN-XMi 80M

| % load | Indoor air Temperature D.B. (°C) |           |     |      |     |      |     |      |     |      |     |      |     |      |
|--------|----------------------------------|-----------|-----|------|-----|------|-----|------|-----|------|-----|------|-----|------|
|        | Outdoor air Temperature (°C)     |           | 16  |      | 18  |      | 20  |      | 21  |      | 22  |      | 24  |      |
|        | D.B. (°C)                        | W.B. (°C) | kWt | kWe  | kWt | kWe  | kWt | kWe  | kWt | kWe  | kWt | kWe  | kWt | kWe  |
| 100%   | -13,7                            | -15       | 5,1 | 1,74 | 5,0 | 1,81 | 5,0 | 1,87 | 5,0 | 1,90 | 5,0 | 1,93 | 5,0 | 1,99 |
|        | -9,5                             | -10       | 5,6 | 1,87 | 5,6 | 1,92 | 5,6 | 1,98 | 5,6 | 2,01 | 5,6 | 2,04 | 5,6 | 2,09 |
|        | -4,4                             | -5        | 6,4 | 1,99 | 6,4 | 1,96 | 6,4 | 2,09 | 6,3 | 2,11 | 6,3 | 2,13 | 6,2 | 2,15 |
|        | 0,7                              | 0         | 7,2 | 2,10 | 7,2 | 2,14 | 7,1 | 2,13 | 7,0 | 2,09 | 6,7 | 2,01 | 6,3 | 1,84 |
|        | 5,9                              | 5         | 8,1 | 2,13 | 7,7 | 1,99 | 7,2 | 1,85 | 7,0 | 1,78 | 6,7 | 1,71 | 6,3 | 1,57 |
|        | 7,0                              | 6         | 8,1 | 2,07 | 7,7 | 1,93 | 7,2 | 1,79 | 7,0 | 1,72 | 6,7 | 1,66 | 6,3 | 1,52 |
|        | 11,2                             | 10        | 8,1 | 1,82 | 7,7 | 1,70 | 7,2 | 1,58 | 7,0 | 1,52 | 6,7 | 1,46 | 6,3 | 1,35 |
|        | 16,4                             | 15        | 8,1 | 1,55 | 7,7 | 1,46 | 7,2 | 1,35 | 7,0 | 1,31 | 6,7 | 1,26 | 6,3 | 1,16 |
| 75%    | -13,7                            | -15       | 5,0 | 2,01 | 4,9 | 2,00 | 4,8 | 2,01 | 4,8 | 2,01 | 4,7 | 2,01 | 4,7 | 2,01 |
|        | -9,5                             | -10       | 5,4 | 2,01 | 5,3 | 2,01 | 5,3 | 2,01 | 5,2 | 2,02 | 5,1 | 1,94 | 4,7 | 1,78 |
|        | -4,4                             | -5        | 6,0 | 2,01 | 5,7 | 1,95 | 5,4 | 1,80 | 5,2 | 1,74 | 5,1 | 1,67 | 4,7 | 1,53 |
|        | 0,7                              | 0         | 6,1 | 1,78 | 5,7 | 1,66 | 5,4 | 1,54 | 5,2 | 1,49 | 5,1 | 1,43 | 4,7 | 1,32 |
|        | 5,9                              | 5         | 6,1 | 1,52 | 5,7 | 1,42 | 5,4 | 1,33 | 5,2 | 1,28 | 5,1 | 1,23 | 4,7 | 1,14 |
|        | 7,0                              | 6         | 6,1 | 1,48 | 5,7 | 1,38 | 5,4 | 1,29 | 5,2 | 1,24 | 5,1 | 1,20 | 4,7 | 1,11 |
|        | 11,2                             | 10        | 6,1 | 1,31 | 5,7 | 1,23 | 5,4 | 1,15 | 5,2 | 1,11 | 5,1 | 1,07 | 4,7 | 0,99 |
|        | 16,4                             | 15        | 6,1 | 1,13 | 5,7 | 1,06 | 5,4 | 1,00 | 5,2 | 0,96 | 5,1 | 0,93 | 4,7 | 0,87 |
| 50%    | -13,7                            | -15       | 4,1 | 1,77 | 3,8 | 1,65 | 3,6 | 1,53 | 3,5 | 1,48 | 3,4 | 1,42 | 3,1 | 1,31 |
|        | -9,5                             | -10       | 4,1 | 1,54 | 3,8 | 1,44 | 3,6 | 1,34 | 3,5 | 1,29 | 3,4 | 1,24 | 3,1 | 1,15 |
|        | -4,4                             | -5        | 4,1 | 1,33 | 3,8 | 1,25 | 3,6 | 1,16 | 3,5 | 1,12 | 3,4 | 1,08 | 3,1 | 1,00 |
|        | 0,7                              | 0         | 4,1 | 1,15 | 3,8 | 1,08 | 3,6 | 1,01 | 3,5 | 0,97 | 3,4 | 0,94 | 3,1 | 0,87 |
|        | 5,9                              | 5         | 4,1 | 1,00 | 3,8 | 0,94 | 3,6 | 0,88 | 3,5 | 0,85 | 3,4 | 0,82 | 3,1 | 0,76 |
|        | 7,0                              | 6         | 4,1 | 0,97 | 3,8 | 0,91 | 3,6 | 0,85 | 3,5 | 0,82 | 3,4 | 0,80 | 3,1 | 0,74 |
|        | 11,2                             | 10        | 4,1 | 0,87 | 3,8 | 0,82 | 3,6 | 0,77 | 3,5 | 0,74 | 3,4 | 0,72 | 3,1 | 0,67 |
|        | 16,4                             | 15        | 4,1 | 0,76 | 3,8 | 0,71 | 3,6 | 0,67 | 3,5 | 0,65 | 3,4 | 0,63 | 3,1 | 0,59 |
| 25     | -13,7                            | -15       | 2,0 | 0,88 | 1,9 | 0,82 | 1,8 | 0,76 | 1,7 | 0,74 | 1,7 | 0,71 | 1,6 | 0,66 |
|        | -9,5                             | -10       | 2,0 | 0,77 | 1,9 | 0,72 | 1,8 | 0,67 | 1,7 | 0,65 | 1,7 | 0,62 | 1,6 | 0,58 |
|        | -4,4                             | -5        | 2,0 | 0,66 | 1,9 | 0,62 | 1,8 | 0,58 | 1,7 | 0,57 | 1,7 | 0,54 | 1,6 | 0,50 |
|        | 0,7                              | 0         | 2,0 | 0,57 | 1,9 | 0,54 | 1,8 | 0,50 | 1,7 | 0,49 | 1,7 | 0,47 | 1,6 | 0,44 |
|        | 5,9                              | 5         | 2,0 | 0,50 | 1,9 | 0,47 | 1,8 | 0,45 | 1,7 | 0,43 | 1,7 | 0,42 | 1,6 | 0,38 |
|        | 7,0                              | 6         | 2,0 | 0,48 | 1,9 | 0,45 | 1,8 | 0,44 | 1,7 | 0,42 | 1,7 | 0,41 | 1,6 | 0,38 |
|        | 11,2                             | 10        | 2,0 | 0,43 | 1,9 | 0,41 | 1,8 | 0,38 | 1,7 | 0,38 | 1,7 | 0,36 | 1,6 | 0,34 |
|        | 16,4                             | 15        | 2,0 | 0,37 | 1,9 | 0,36 | 1,8 | 0,33 | 1,7 | 0,33 | 1,7 | 0,31 | 1,6 | 0,31 |

kWt = Heating capacity [kW]  
kWe = Compressor + Fan power input [kW]  
DB=Dry bulb  
WB=Wet bulb

Notes: It is recommended to have system with Indoor/Outdoor Capacity Ratio less than 130%  
Avoid running the unit in heating mode when outdoor air temperature is below -20°C  
The above capacity tables show the average values in operating condition

# Partial Load Heating Performance with 100% Internal / External Power Ratio

## MSAN-XMi 105M

| % load | Indoor air Temperature D.B. (°C) |           |      |      |     |      |     |      |     |      |     |      |     |      |
|--------|----------------------------------|-----------|------|------|-----|------|-----|------|-----|------|-----|------|-----|------|
|        | Outdoor air Temperature (°C)     |           | 16   |      | 18  |      | 20  |      | 21  |      | 22  |      | 24  |      |
|        | D.B. (°C)                        | W.B. (°C) | kWt  | kWe  | kWt | kWe  | kWt | kWe  | kWt | kWe  | kWt | kWe  | kWt | kWe  |
| 100%   | -13,7                            | -15       | 6,3  | 2,21 | 6,3 | 2,29 | 6,3 | 2,37 | 6,3 | 2,41 | 6,3 | 2,45 | 6,2 | 2,53 |
|        | -9,5                             | -10       | 7,1  | 2,37 | 7,0 | 2,44 | 7,0 | 2,51 | 7,0 | 2,55 | 7,0 | 2,58 | 7,0 | 2,65 |
|        | -4,4                             | -5        | 8,0  | 2,53 | 7,9 | 2,49 | 7,9 | 2,65 | 7,9 | 2,68 | 7,9 | 2,71 | 7,8 | 2,72 |
|        | 0,7                              | 0         | 9,1  | 2,66 | 9,1 | 2,72 | 8,9 | 2,71 | 8,7 | 2,65 | 8,4 | 2,54 | 7,9 | 2,33 |
|        | 5,9                              | 5         | 10,1 | 2,70 | 9,6 | 2,53 | 9,0 | 2,34 | 8,7 | 2,25 | 8,4 | 2,17 | 7,9 | 1,99 |
|        | 7,0                              | 6         | 10,1 | 2,63 | 9,6 | 2,45 | 9,0 | 2,27 | 8,7 | 2,18 | 8,4 | 2,10 | 7,9 | 1,93 |
|        | 11,2                             | 10        | 10,1 | 2,32 | 9,6 | 2,16 | 9,0 | 2,01 | 8,7 | 1,93 | 8,4 | 1,86 | 7,9 | 1,71 |
|        | 16,4                             | 15        | 10,1 | 1,98 | 9,6 | 1,85 | 9,0 | 1,71 | 8,7 | 1,66 | 8,4 | 1,59 | 7,9 | 1,49 |
| 75%    | -13,7                            | -15       | 6,2  | 2,54 | 6,1 | 2,54 | 6,0 | 2,55 | 6,0 | 2,55 | 5,9 | 2,55 | 5,8 | 2,55 |
|        | -9,5                             | -10       | 6,8  | 2,55 | 6,7 | 2,55 | 6,6 | 2,56 | 6,5 | 2,56 | 6,3 | 2,46 | 5,9 | 2,26 |
|        | -4,4                             | -5        | 7,4  | 2,55 | 7,2 | 2,47 | 6,8 | 2,29 | 6,5 | 2,20 | 6,3 | 2,11 | 5,9 | 1,95 |
|        | 0,7                              | 0         | 7,6  | 2,26 | 7,2 | 2,10 | 6,8 | 1,96 | 6,5 | 1,89 | 6,3 | 1,81 | 5,9 | 1,67 |
|        | 5,9                              | 5         | 7,6  | 1,93 | 7,2 | 1,81 | 6,8 | 1,68 | 6,5 | 1,62 | 6,3 | 1,57 | 5,9 | 1,45 |
|        | 7,0                              | 6         | 7,6  | 1,87 | 7,2 | 1,75 | 6,8 | 1,63 | 6,5 | 1,58 | 6,3 | 1,52 | 5,9 | 1,41 |
|        | 11,2                             | 10        | 7,6  | 1,66 | 7,2 | 1,56 | 6,8 | 1,45 | 6,5 | 1,40 | 6,3 | 1,35 | 5,9 | 1,26 |
|        | 16,4                             | 15        | 7,6  | 1,44 | 7,2 | 1,35 | 6,8 | 1,26 | 6,5 | 1,22 | 6,3 | 1,18 | 5,9 | 1,10 |
| 50%    | -13,7                            | -15       | 5,1  | 2,25 | 4,8 | 2,09 | 4,5 | 1,94 | 4,3 | 1,87 | 4,2 | 1,80 | 3,9 | 1,66 |
|        | -9,5                             | -10       | 5,1  | 1,96 | 4,8 | 1,83 | 4,5 | 1,70 | 4,3 | 1,64 | 4,2 | 1,58 | 3,9 | 1,45 |
|        | -4,4                             | -5        | 5,1  | 1,69 | 4,8 | 1,58 | 4,5 | 1,48 | 4,3 | 1,42 | 4,2 | 1,37 | 3,9 | 1,27 |
|        | 0,7                              | 0         | 5,1  | 1,46 | 4,8 | 1,37 | 4,5 | 1,28 | 4,3 | 1,23 | 4,2 | 1,19 | 3,9 | 1,10 |
|        | 5,9                              | 5         | 5,1  | 1,26 | 4,8 | 1,19 | 4,5 | 1,11 | 4,3 | 1,08 | 4,2 | 1,04 | 3,9 | 0,97 |
|        | 7,0                              | 6         | 5,1  | 1,23 | 4,8 | 1,15 | 4,5 | 1,08 | 4,3 | 1,05 | 4,2 | 1,01 | 3,9 | 0,94 |
|        | 11,2                             | 10        | 5,1  | 1,10 | 4,8 | 1,03 | 4,5 | 0,97 | 4,3 | 0,94 | 4,2 | 0,91 | 3,9 | 0,85 |
|        | 16,4                             | 15        | 5,1  | 0,96 | 4,8 | 0,91 | 4,5 | 0,86 | 4,3 | 0,83 | 4,2 | 0,80 | 3,9 | 0,75 |
| 25     | -13,7                            | -15       | 2,5  | 1,11 | 2,4 | 1,04 | 2,3 | 0,97 | 2,2 | 0,93 | 2,1 | 0,90 | 2,0 | 0,83 |
|        | -9,5                             | -10       | 2,5  | 0,97 | 2,4 | 0,92 | 2,3 | 0,85 | 2,2 | 0,82 | 2,1 | 0,79 | 2,0 | 0,73 |
|        | -4,4                             | -5        | 2,5  | 0,84 | 2,4 | 0,79 | 2,3 | 0,74 | 2,2 | 0,72 | 2,1 | 0,69 | 2,0 | 0,64 |
|        | 0,7                              | 0         | 2,5  | 0,73 | 2,4 | 0,68 | 2,3 | 0,64 | 2,2 | 0,62 | 2,1 | 0,60 | 2,0 | 0,56 |
|        | 5,9                              | 5         | 2,5  | 0,63 | 2,4 | 0,59 | 2,3 | 0,56 | 2,2 | 0,55 | 2,1 | 0,53 | 1,9 | 0,49 |
|        | 7,0                              | 6         | 2,5  | 0,61 | 2,4 | 0,57 | 2,3 | 0,56 | 2,2 | 0,54 | 2,1 | 0,52 | 1,9 | 0,48 |
|        | 11,2                             | 10        | 2,5  | 0,55 | 2,4 | 0,51 | 2,3 | 0,48 | 2,2 | 0,48 | 2,1 | 0,46 | 1,9 | 0,43 |
|        | 16,4                             | 15        | 2,5  | 0,48 | 2,4 | 0,46 | 2,3 | 0,42 | 2,2 | 0,42 | 2,1 | 0,39 | 1,9 | 0,39 |

kWt = Heating capacity [kW]  
 kWe = Compressor + Fan power input [kW]  
 DB=Dry bulb  
 WB=Wet bulb

Notes: It is recommended to have system with Indoor/Outdoor Capacity Ratio less than 130%  
 Avoid running the unit in heating mode when outdoor air temperature is below -20°C  
 The above capacity tables show the average values in operating condition

# Partial Load Heating Performance with 100% Internal / External Power Ratio

## MSAN-XMi 120M/120T

| % load | Indoor air Temperature D.B. (°C) |           |      |      |      |      |      |      |      |      |      |      |      |      |
|--------|----------------------------------|-----------|------|------|------|------|------|------|------|------|------|------|------|------|
|        | Outdoor air Temperature (°C)     |           | 16   |      | 18   |      | 20   |      | 21   |      | 22   |      | 24   |      |
|        | D.B. (°C)                        | W.B. (°C) | kWt  | kWe  | kWt  | kWe  | kWt  | kWe  | kWt  | kWe  | kWt  | kWe  | kWt  | kWe  |
| 100%   | -13,7                            | -15       | 9,3  | 3,38 | 9,2  | 3,50 | 9,2  | 3,62 | 9,2  | 3,69 | 9,2  | 3,74 | 9,1  | 3,87 |
|        | -9,5                             | -10       | 10,4 | 3,62 | 10,3 | 3,73 | 10,3 | 3,84 | 10,3 | 3,89 | 10,3 | 3,95 | 10,2 | 4,06 |
|        | -4,4                             | -5        | 11,7 | 3,86 | 11,7 | 3,81 | 11,7 | 4,05 | 11,6 | 4,10 | 11,6 | 4,14 | 11,4 | 4,16 |
|        | 0,7                              | 0         | 13,3 | 4,07 | 13,3 | 4,16 | 13,0 | 4,14 | 12,8 | 4,06 | 12,4 | 3,89 | 11,5 | 3,57 |
|        | 5,9                              | 5         | 14,8 | 4,14 | 14,0 | 3,87 | 13,2 | 3,59 | 12,8 | 3,45 | 12,4 | 3,32 | 11,5 | 3,04 |
|        | 7,0                              | 6         | 14,9 | 4,02 | 14,0 | 3,74 | 13,2 | 3,47 | 12,8 | 3,34 | 12,4 | 3,21 | 11,5 | 2,95 |
|        | 11,2                             | 10        | 14,9 | 3,54 | 14,0 | 3,30 | 13,2 | 3,06 | 12,8 | 2,95 | 12,4 | 2,83 | 11,5 | 2,62 |
|        | 16,4                             | 15        | 14,9 | 3,02 | 14,0 | 2,82 | 13,2 | 2,63 | 12,8 | 2,54 | 12,4 | 2,44 | 11,5 | 2,26 |
| 75%    | -13,7                            | -15       | 9,1  | 3,89 | 9,0  | 3,89 | 8,8  | 3,89 | 8,8  | 3,89 | 8,7  | 3,89 | 8,5  | 3,90 |
|        | -9,5                             | -10       | 9,9  | 3,90 | 9,8  | 3,90 | 9,6  | 3,91 | 9,6  | 3,91 | 9,3  | 3,76 | 8,6  | 3,45 |
|        | -4,4                             | -5        | 10,9 | 3,90 | 10,5 | 3,77 | 9,9  | 3,50 | 9,6  | 3,37 | 9,3  | 3,23 | 8,6  | 2,97 |
|        | 0,7                              | 0         | 11,2 | 3,45 | 10,5 | 3,21 | 9,9  | 2,99 | 9,6  | 2,88 | 9,3  | 2,77 | 8,6  | 2,55 |
|        | 5,9                              | 5         | 11,2 | 2,95 | 10,5 | 2,76 | 9,9  | 2,57 | 9,6  | 2,48 | 9,3  | 2,39 | 8,6  | 2,21 |
|        | 7,0                              | 6         | 11,2 | 2,86 | 10,5 | 2,68 | 9,9  | 2,50 | 9,6  | 2,41 | 9,3  | 2,32 | 8,6  | 2,15 |
|        | 11,2                             | 10        | 11,2 | 2,54 | 10,5 | 2,38 | 9,9  | 2,22 | 9,6  | 2,15 | 9,3  | 2,07 | 8,6  | 1,92 |
|        | 16,4                             | 15        | 11,2 | 2,20 | 10,5 | 2,06 | 9,9  | 1,93 | 9,6  | 1,87 | 9,3  | 1,80 | 8,6  | 1,68 |
| 50%    | -13,7                            | -15       | 7,4  | 3,44 | 7,0  | 3,20 | 6,6  | 2,97 | 6,4  | 2,86 | 6,2  | 2,75 | 5,7  | 2,53 |
|        | -9,5                             | -10       | 7,4  | 2,99 | 7,0  | 2,79 | 6,6  | 2,60 | 6,4  | 2,51 | 6,2  | 2,41 | 5,7  | 2,22 |
|        | -4,4                             | -5        | 7,4  | 2,58 | 7,0  | 2,42 | 6,6  | 2,26 | 6,4  | 2,18 | 6,2  | 2,10 | 5,7  | 1,94 |
|        | 0,7                              | 0         | 7,4  | 2,23 | 7,0  | 2,09 | 6,6  | 1,95 | 6,4  | 1,89 | 6,2  | 1,82 | 5,7  | 1,69 |
|        | 5,9                              | 5         | 7,4  | 1,93 | 7,0  | 1,81 | 6,6  | 1,70 | 6,4  | 1,64 | 6,2  | 1,59 | 5,7  | 1,48 |
|        | 7,0                              | 6         | 7,4  | 1,88 | 7,0  | 1,76 | 6,6  | 1,65 | 6,4  | 1,60 | 6,2  | 1,55 | 5,7  | 1,44 |
|        | 11,2                             | 10        | 7,4  | 1,68 | 7,0  | 1,58 | 6,6  | 1,49 | 6,4  | 1,44 | 6,2  | 1,39 | 5,7  | 1,30 |
|        | 16,4                             | 15        | 7,4  | 1,47 | 7,0  | 1,39 | 6,6  | 1,31 | 6,4  | 1,27 | 6,2  | 1,23 | 5,7  | 1,15 |
| 25     | -13,7                            | -15       | 3,7  | 1,70 | 3,5  | 1,59 | 3,3  | 1,48 | 3,2  | 1,43 | 3,1  | 1,37 | 2,9  | 1,27 |
|        | -9,5                             | -10       | 3,7  | 1,49 | 3,5  | 1,40 | 3,3  | 1,29 | 3,2  | 1,25 | 3,1  | 1,21 | 2,9  | 1,12 |
|        | -4,4                             | -5        | 3,7  | 1,29 | 3,5  | 1,21 | 3,3  | 1,12 | 3,2  | 1,10 | 3,1  | 1,05 | 2,9  | 0,98 |
|        | 0,7                              | 0         | 3,7  | 1,11 | 3,5  | 1,04 | 3,3  | 0,97 | 3,2  | 0,94 | 3,1  | 0,91 | 2,9  | 0,86 |
|        | 5,9                              | 5         | 3,7  | 0,96 | 3,5  | 0,90 | 3,3  | 0,86 | 3,2  | 0,83 | 3,1  | 0,81 | 2,9  | 0,74 |
|        | 7,0                              | 6         | 3,7  | 0,93 | 3,5  | 0,88 | 3,3  | 0,85 | 3,2  | 0,82 | 3,1  | 0,79 | 2,8  | 0,73 |
|        | 11,2                             | 10        | 3,7  | 0,84 | 3,5  | 0,79 | 3,3  | 0,74 | 3,2  | 0,74 | 3,1  | 0,70 | 2,8  | 0,66 |
|        | 16,4                             | 15        | 3,7  | 0,73 | 3,5  | 0,70 | 3,3  | 0,65 | 3,2  | 0,64 | 3,1  | 0,60 | 2,8  | 0,59 |

kWt = Heating capacity [kW]  
kWe = Compressor + Fan power input [kW]  
DB=Dry bulb  
WB=Wet bulb

Notes: It is recommended to have system with Indoor/Outdoor Capacity Ratio less than 130%  
Avoid running the unit in heating mode when outdoor air temperature is below -20°C  
The above capacity tables show the average values in operating condition

# Partial Load Heating Performance with 100% Internal / External Power Ratio

## MSAN-XMi 140M/140T

| % load | Indoor air Temperature D.B. (°C) |           |      |      |      |      |      |      |      |      |      |      |      |      |
|--------|----------------------------------|-----------|------|------|------|------|------|------|------|------|------|------|------|------|
|        | Outdoor air Temperature (°C)     |           | 16   |      | 18   |      | 20   |      | 21   |      | 22   |      | 24   |      |
|        | D.B. (°C)                        | W.B. (°C) | kWt  | kWe  | kWt  | kWe  | kWt  | kWe  | kWt  | kWe  | kWt  | kWe  | kWt  | kWe  |
| 100%   | -13,7                            | -15       | 10,8 | 3,94 | 10,8 | 4,09 | 10,7 | 4,23 | 10,7 | 4,30 | 10,7 | 4,37 | 10,7 | 4,51 |
|        | -9,5                             | -10       | 12,1 | 4,23 | 12,0 | 4,35 | 12,0 | 4,48 | 12,0 | 4,54 | 12,0 | 4,61 | 11,9 | 4,73 |
|        | -4,4                             | -5        | 13,6 | 4,50 | 13,6 | 4,44 | 13,6 | 4,73 | 13,5 | 4,78 | 13,5 | 4,84 | 13,3 | 4,85 |
|        | 0,7                              | 0         | 15,5 | 4,75 | 15,5 | 4,85 | 15,2 | 4,84 | 14,9 | 4,73 | 14,4 | 4,54 | 13,4 | 4,16 |
|        | 5,9                              | 5         | 17,3 | 4,82 | 16,4 | 4,51 | 15,4 | 4,18 | 14,9 | 4,03 | 14,4 | 3,87 | 13,4 | 3,56 |
|        | 7,0                              | 6         | 17,4 | 4,69 | 16,4 | 4,37 | 15,4 | 4,05 | 14,9 | 3,90 | 14,4 | 3,75 | 13,4 | 3,44 |
|        | 11,2                             | 10        | 17,4 | 4,13 | 16,4 | 3,85 | 15,4 | 3,58 | 14,9 | 3,44 | 14,4 | 3,31 | 13,4 | 3,05 |
|        | 16,4                             | 15        | 17,4 | 3,53 | 16,4 | 3,29 | 15,4 | 3,07 | 14,9 | 2,96 | 14,4 | 2,85 | 13,4 | 2,65 |
| 75%    | -13,7                            | -15       | 10,6 | 4,66 | 10,5 | 4,66 | 10,3 | 4,66 | 10,2 | 4,67 | 10,1 | 4,67 | 10,0 | 4,68 |
|        | -9,5                             | -10       | 11,6 | 4,67 | 11,4 | 4,68 | 11,3 | 4,68 | 11,2 | 4,69 | 10,8 | 4,50 | 10,1 | 4,13 |
|        | -4,4                             | -5        | 12,7 | 4,68 | 12,3 | 4,52 | 11,6 | 4,19 | 11,2 | 4,04 | 10,8 | 3,87 | 10,1 | 3,57 |
|        | 0,7                              | 0         | 13,0 | 4,13 | 12,3 | 3,85 | 11,6 | 3,59 | 11,2 | 3,45 | 10,8 | 3,32 | 10,1 | 3,06 |
|        | 5,9                              | 5         | 13,0 | 3,54 | 12,3 | 3,31 | 11,6 | 3,08 | 11,2 | 2,98 | 10,8 | 2,87 | 10,1 | 2,65 |
|        | 7,0                              | 6         | 13,0 | 3,43 | 12,3 | 3,21 | 11,6 | 2,99 | 11,2 | 2,89 | 10,8 | 2,78 | 10,1 | 2,58 |
|        | 11,2                             | 10        | 13,0 | 3,05 | 12,3 | 2,85 | 11,6 | 2,67 | 11,2 | 2,57 | 10,8 | 2,48 | 10,1 | 2,31 |
|        | 16,4                             | 15        | 13,0 | 2,63 | 12,3 | 2,47 | 11,6 | 2,32 | 11,2 | 2,24 | 10,8 | 2,16 | 10,1 | 2,02 |
| 50%    | -13,7                            | -15       | 8,7  | 4,12 | 8,2  | 3,84 | 7,7  | 3,56 | 7,4  | 3,43 | 7,2  | 3,30 | 6,7  | 3,04 |
|        | -9,5                             | -10       | 8,7  | 3,59 | 8,2  | 3,35 | 7,7  | 3,12 | 7,4  | 3,00 | 7,2  | 2,89 | 6,7  | 2,67 |
|        | -4,4                             | -5        | 8,7  | 3,10 | 8,2  | 2,90 | 7,7  | 2,70 | 7,4  | 2,61 | 7,2  | 2,51 | 6,7  | 2,33 |
|        | 0,7                              | 0         | 8,7  | 2,67 | 8,2  | 2,50 | 7,7  | 2,34 | 7,4  | 2,26 | 7,2  | 2,18 | 6,7  | 2,02 |
|        | 5,9                              | 5         | 8,7  | 2,31 | 8,2  | 2,17 | 7,7  | 2,04 | 7,4  | 1,97 | 7,2  | 1,90 | 6,7  | 1,77 |
|        | 7,0                              | 6         | 8,7  | 2,25 | 8,2  | 2,11 | 7,7  | 1,98 | 7,4  | 1,92 | 7,2  | 1,85 | 6,7  | 1,73 |
|        | 11,2                             | 10        | 8,7  | 2,01 | 8,2  | 1,90 | 7,7  | 1,78 | 7,4  | 1,73 | 7,2  | 1,67 | 6,7  | 1,56 |
|        | 16,4                             | 15        | 8,7  | 1,76 | 8,2  | 1,66 | 7,7  | 1,57 | 7,4  | 1,52 | 7,2  | 1,47 | 6,7  | 1,38 |
| 25     | -13,7                            | -15       | 4,3  | 2,04 | 4,1  | 1,91 | 3,9  | 1,77 | 3,7  | 1,71 | 3,6  | 1,65 | 3,3  | 1,52 |
|        | -9,5                             | -10       | 4,3  | 1,78 | 4,1  | 1,68 | 3,9  | 1,55 | 3,7  | 1,50 | 3,6  | 1,45 | 3,3  | 1,35 |
|        | -4,4                             | -5        | 4,3  | 1,54 | 4,1  | 1,44 | 3,9  | 1,35 | 3,7  | 1,32 | 3,6  | 1,26 | 3,3  | 1,17 |
|        | 0,7                              | 0         | 4,3  | 1,33 | 4,1  | 1,25 | 3,9  | 1,17 | 3,7  | 1,13 | 3,6  | 1,09 | 3,3  | 1,03 |
|        | 5,9                              | 5         | 4,3  | 1,15 | 4,1  | 1,08 | 3,9  | 1,04 | 3,7  | 1,00 | 3,6  | 0,97 | 3,3  | 0,89 |
|        | 7,0                              | 6         | 4,3  | 1,12 | 4,1  | 1,05 | 3,9  | 1,02 | 3,7  | 0,99 | 3,6  | 0,95 | 3,3  | 0,88 |
|        | 11,2                             | 10        | 4,3  | 1,00 | 4,1  | 0,94 | 3,9  | 0,89 | 3,7  | 0,89 | 3,6  | 0,84 | 3,3  | 0,79 |
|        | 16,4                             | 15        | 4,3  | 0,87 | 4,1  | 0,84 | 3,9  | 0,78 | 3,7  | 0,77 | 3,6  | 0,72 | 3,3  | 0,71 |

kWt = Heating capacity [kW]  
 kWe = Compressor + Fan power input [kW]  
 DB=Dry bulb  
 WB=Wet bulb

Notes: It is recommended to have system with Indoor/Outdoor Capacity Ratio less than 130%  
 Avoid running the unit in heating mode when outdoor air temperature is below -20°C  
 The above capacity tables show the average values in operating condition

# Partial Load Heating Performance with 100% Internal / External Power Ratio

## MSAN-XMi 160M/160T

| % load | Indoor air Temperature D.B. (°C) |           |      |      |      |      |      |      |      |      |      |      |      |      |
|--------|----------------------------------|-----------|------|------|------|------|------|------|------|------|------|------|------|------|
|        | Outdoor air Temperature (°C)     |           | 16   |      | 18   |      | 20   |      | 21   |      | 22   |      | 24   |      |
|        | D.B. (°C)                        | W.B. (°C) | kWt  | kWe  | kWt  | kWe  | kWt  | kWe  | kWt  | kWe  | kWt  | kWe  | kWt  | kWe  |
| 100%   | -13,7                            | -15       | 11,9 | 4,52 | 11,9 | 4,68 | 11,8 | 4,85 | 11,8 | 4,93 | 11,8 | 5,01 | 11,8 | 5,17 |
|        | -9,5                             | -10       | 13,3 | 4,85 | 13,3 | 4,99 | 13,3 | 5,13 | 13,2 | 5,21 | 13,2 | 5,28 | 13,2 | 5,42 |
|        | -4,4                             | -5        | 15,0 | 5,16 | 15,0 | 5,09 | 15,0 | 5,41 | 15,0 | 5,47 | 15,0 | 5,54 | 14,7 | 5,55 |
|        | 0,7                              | 0         | 17,1 | 5,45 | 17,1 | 5,55 | 16,8 | 5,54 | 16,5 | 5,42 | 15,9 | 5,20 | 14,8 | 4,77 |
|        | 5,9                              | 5         | 19,1 | 5,52 | 18,1 | 5,17 | 17,0 | 4,79 | 16,5 | 4,61 | 15,9 | 4,43 | 14,8 | 4,08 |
|        | 7,0                              | 6         | 19,2 | 5,37 | 18,1 | 5,00 | 17,0 | 4,64 | 16,5 | 4,47 | 15,9 | 4,29 | 14,8 | 3,95 |
|        | 11,2                             | 10        | 19,2 | 4,72 | 18,1 | 4,40 | 17,0 | 4,10 | 16,5 | 3,94 | 15,9 | 3,79 | 14,8 | 3,50 |
|        | 16,4                             | 15        | 19,2 | 4,03 | 18,1 | 3,78 | 17,0 | 3,51 | 16,5 | 3,39 | 15,9 | 3,26 | 14,8 | 3,03 |
| 75%    | -13,7                            | -15       | 11,7 | 5,34 | 11,5 | 5,34 | 11,4 | 5,35 | 11,3 | 5,35 | 11,2 | 5,35 | 11,0 | 5,36 |
|        | -9,5                             | -10       | 12,8 | 5,36 | 12,6 | 5,36 | 12,4 | 5,37 | 12,3 | 5,38 | 11,9 | 5,16 | 11,1 | 4,74 |
|        | -4,4                             | -5        | 14,1 | 5,37 | 13,6 | 5,19 | 12,8 | 4,81 | 12,3 | 4,63 | 11,9 | 4,44 | 11,1 | 4,09 |
|        | 0,7                              | 0         | 14,4 | 4,74 | 13,6 | 4,42 | 12,8 | 4,11 | 12,3 | 3,96 | 11,9 | 3,81 | 11,1 | 3,51 |
|        | 5,9                              | 5         | 14,4 | 4,06 | 13,6 | 3,80 | 12,8 | 3,54 | 12,3 | 3,41 | 11,9 | 3,29 | 11,1 | 3,04 |
|        | 7,0                              | 6         | 14,4 | 3,93 | 13,6 | 3,68 | 12,8 | 3,43 | 12,3 | 3,31 | 11,9 | 3,19 | 11,1 | 2,95 |
|        | 11,2                             | 10        | 14,4 | 3,49 | 13,6 | 3,27 | 12,8 | 3,06 | 12,3 | 2,95 | 11,9 | 2,85 | 11,1 | 2,64 |
|        | 16,4                             | 15        | 14,4 | 3,02 | 13,6 | 2,84 | 12,8 | 2,66 | 12,3 | 2,57 | 11,9 | 2,48 | 11,1 | 2,31 |
| 50%    | -13,7                            | -15       | 9,6  | 4,72 | 9,0  | 4,40 | 8,5  | 4,08 | 8,2  | 3,93 | 7,9  | 3,78 | 7,4  | 3,48 |
|        | -9,5                             | -10       | 9,6  | 4,11 | 9,0  | 3,84 | 8,5  | 3,57 | 8,2  | 3,44 | 7,9  | 3,31 | 7,4  | 3,06 |
|        | -4,4                             | -5        | 9,6  | 3,55 | 9,0  | 3,33 | 8,5  | 3,10 | 8,2  | 2,99 | 7,9  | 2,88 | 7,4  | 2,67 |
|        | 0,7                              | 0         | 9,6  | 3,06 | 9,0  | 2,87 | 8,5  | 2,68 | 8,2  | 2,59 | 7,9  | 2,50 | 7,4  | 2,32 |
|        | 5,9                              | 5         | 9,6  | 2,65 | 9,0  | 2,49 | 8,5  | 2,33 | 8,2  | 2,26 | 7,9  | 2,18 | 7,4  | 2,03 |
|        | 7,0                              | 6         | 9,6  | 2,58 | 9,0  | 2,42 | 8,5  | 2,27 | 8,2  | 2,20 | 7,9  | 2,13 | 7,4  | 1,98 |
|        | 11,2                             | 10        | 9,6  | 2,31 | 9,0  | 2,17 | 8,5  | 2,04 | 8,2  | 1,98 | 7,9  | 1,91 | 7,4  | 1,79 |
|        | 16,4                             | 15        | 9,6  | 2,02 | 9,0  | 1,91 | 8,5  | 1,80 | 8,2  | 1,74 | 7,9  | 1,69 | 7,4  | 1,58 |
| 25     | -13,7                            | -15       | 4,8  | 2,34 | 4,5  | 2,19 | 4,3  | 2,03 | 4,1  | 1,96 | 4,0  | 1,89 | 3,7  | 1,75 |
|        | -9,5                             | -10       | 4,8  | 2,05 | 4,5  | 1,92 | 4,3  | 1,78 | 4,1  | 1,72 | 4,0  | 1,66 | 3,7  | 1,54 |
|        | -4,4                             | -5        | 4,8  | 1,77 | 4,5  | 1,66 | 4,3  | 1,54 | 4,1  | 1,51 | 4,0  | 1,44 | 3,7  | 1,34 |
|        | 0,7                              | 0         | 4,8  | 1,53 | 4,5  | 1,43 | 4,3  | 1,34 | 4,1  | 1,30 | 4,0  | 1,26 | 3,7  | 1,18 |
|        | 5,9                              | 5         | 4,8  | 1,32 | 4,5  | 1,24 | 4,3  | 1,19 | 4,1  | 1,15 | 4,0  | 1,11 | 3,7  | 1,02 |
|        | 7,0                              | 6         | 4,8  | 1,29 | 4,5  | 1,21 | 4,3  | 1,17 | 4,1  | 1,13 | 4,0  | 1,09 | 3,7  | 1,01 |
|        | 11,2                             | 10        | 4,8  | 1,15 | 4,5  | 1,08 | 4,3  | 1,02 | 4,1  | 1,02 | 4,0  | 0,97 | 3,7  | 0,91 |
|        | 16,4                             | 15        | 4,8  | 1,00 | 4,5  | 0,96 | 4,3  | 0,89 | 4,1  | 0,88 | 4,0  | 0,83 | 3,7  | 0,82 |

kWt = Heating capacity [kW]  
kWe = Compressor + Fan power input [kW]  
DB=Dry bulb  
WB=Wet bulb

Notes: It is recommended to have system with Indoor/Outdoor Capacity Ratio less than 130%  
Avoid running the unit in heating mode when outdoor air temperature is below -20°C  
The above capacity tables show the average values in operating condition

# Partial Load Heating Performance with 100% Internal / External Power Ratio

## MSAN-XMi 180T

| % load | Indoor air Temperature D.B. (°C) |           |      |      |      |      |      |      |      |      |      |      |      |      |
|--------|----------------------------------|-----------|------|------|------|------|------|------|------|------|------|------|------|------|
|        | Outdoor air Temperature (°C)     |           | 16   |      | 18   |      | 20   |      | 21   |      | 22   |      | 24   |      |
|        | D.B. (°C)                        | W.B. (°C) | kWt  | kWe  | kWt  | kWe  | kWt  | kWe  | kWt  | kWe  | kWt  | kWe  | kWt  | kWe  |
| 100%   | -13,7                            | -15       | 13,3 | 4,87 | 13,3 | 5,05 | 13,2 | 5,22 | 13,2 | 5,31 | 13,2 | 5,40 | 13,2 | 5,57 |
|        | -9,5                             | -10       | 14,9 | 5,22 | 14,8 | 5,38 | 14,8 | 5,53 | 14,8 | 5,61 | 14,8 | 5,69 | 14,7 | 5,84 |
|        | -4,4                             | -5        | 16,8 | 5,56 | 16,8 | 5,49 | 16,8 | 5,83 | 16,7 | 5,89 | 16,7 | 5,97 | 16,5 | 5,99 |
|        | 0,7                              | 0         | 19,1 | 5,86 | 19,1 | 5,99 | 18,8 | 5,97 | 18,4 | 5,84 | 17,8 | 5,60 | 16,6 | 5,14 |
|        | 5,9                              | 5         | 21,3 | 5,95 | 20,2 | 5,57 | 19,0 | 5,16 | 18,4 | 4,97 | 17,8 | 4,77 | 16,6 | 4,39 |
|        | 7,0                              | 6         | 21,4 | 5,79 | 20,2 | 5,39 | 19,0 | 5,00 | 18,4 | 4,81 | 17,8 | 4,62 | 16,6 | 4,25 |
|        | 11,2                             | 10        | 21,4 | 5,09 | 20,2 | 4,75 | 19,0 | 4,41 | 18,4 | 4,25 | 17,8 | 4,09 | 16,6 | 3,77 |
|        | 16,4                             | 15        | 21,4 | 4,36 | 20,2 | 4,07 | 19,0 | 3,79 | 18,4 | 3,66 | 17,8 | 3,51 | 16,6 | 3,26 |
| 75%    | -13,7                            | -15       | 13,1 | 5,60 | 12,9 | 5,60 | 12,7 | 5,61 | 12,6 | 5,61 | 12,5 | 5,61 | 12,3 | 5,62 |
|        | -9,5                             | -10       | 14,3 | 5,62 | 14,1 | 5,62 | 13,9 | 5,63 | 13,8 | 5,64 | 13,3 | 5,41 | 12,4 | 4,97 |
|        | -4,4                             | -5        | 15,7 | 5,63 | 15,2 | 5,44 | 14,3 | 5,04 | 13,8 | 4,85 | 13,3 | 4,66 | 12,4 | 4,29 |
|        | 0,7                              | 0         | 16,1 | 4,97 | 15,2 | 4,63 | 14,3 | 4,31 | 13,8 | 4,15 | 13,3 | 3,99 | 12,4 | 3,68 |
|        | 5,9                              | 5         | 16,1 | 4,25 | 15,2 | 3,98 | 14,3 | 3,71 | 13,8 | 3,58 | 13,3 | 3,45 | 12,4 | 3,19 |
|        | 7,0                              | 6         | 16,1 | 4,12 | 15,2 | 3,86 | 14,3 | 3,60 | 13,8 | 3,47 | 13,3 | 3,35 | 12,4 | 3,10 |
|        | 11,2                             | 10        | 16,1 | 3,66 | 15,2 | 3,43 | 14,3 | 3,20 | 13,8 | 3,09 | 13,3 | 2,98 | 12,4 | 2,77 |
|        | 16,4                             | 15        | 16,1 | 3,16 | 15,2 | 2,97 | 14,3 | 2,79 | 13,8 | 2,69 | 13,3 | 2,60 | 12,4 | 2,42 |
| 50%    | -13,7                            | -15       | 10,7 | 4,95 | 10,1 | 4,61 | 9,5  | 4,28 | 9,2  | 4,12 | 8,9  | 3,96 | 8,3  | 3,65 |
|        | -9,5                             | -10       | 10,7 | 4,31 | 10,1 | 4,02 | 9,5  | 3,74 | 9,2  | 3,61 | 8,9  | 3,47 | 8,3  | 3,20 |
|        | -4,4                             | -5        | 10,7 | 3,72 | 10,1 | 3,49 | 9,5  | 3,25 | 9,2  | 3,14 | 8,9  | 3,02 | 8,3  | 2,80 |
|        | 0,7                              | 0         | 10,7 | 3,21 | 10,1 | 3,01 | 9,5  | 2,81 | 9,2  | 2,72 | 8,9  | 2,62 | 8,3  | 2,43 |
|        | 5,9                              | 5         | 10,7 | 2,78 | 10,1 | 2,61 | 9,5  | 2,45 | 9,2  | 2,37 | 8,9  | 2,29 | 8,3  | 2,13 |
|        | 7,0                              | 6         | 10,7 | 2,70 | 10,1 | 2,54 | 9,5  | 2,38 | 9,2  | 2,30 | 8,9  | 2,23 | 8,3  | 2,07 |
|        | 11,2                             | 10        | 10,7 | 2,42 | 10,1 | 2,28 | 9,5  | 2,14 | 9,2  | 2,07 | 8,9  | 2,00 | 8,3  | 1,87 |
|        | 16,4                             | 15        | 10,7 | 2,12 | 10,1 | 2,00 | 9,5  | 1,88 | 9,2  | 1,83 | 8,9  | 1,77 | 8,3  | 1,66 |
| 25     | -13,7                            | -15       | 5,4  | 2,45 | 5,1  | 2,29 | 4,8  | 2,13 | 4,6  | 2,06 | 4,4  | 1,98 | 4,1  | 1,83 |
|        | -9,5                             | -10       | 5,4  | 2,15 | 5,1  | 2,02 | 4,8  | 1,87 | 4,6  | 1,80 | 4,4  | 1,74 | 4,1  | 1,62 |
|        | -4,4                             | -5        | 5,4  | 1,85 | 5,1  | 1,74 | 4,8  | 1,62 | 4,6  | 1,59 | 4,4  | 1,51 | 4,1  | 1,41 |
|        | 0,7                              | 0         | 5,4  | 1,60 | 5,1  | 1,50 | 4,8  | 1,40 | 4,6  | 1,36 | 4,4  | 1,32 | 4,1  | 1,24 |
|        | 5,9                              | 5         | 5,4  | 1,39 | 5,1  | 1,30 | 4,8  | 1,24 | 4,6  | 1,20 | 4,4  | 1,16 | 4,1  | 1,07 |
|        | 7,0                              | 6         | 5,4  | 1,35 | 5,1  | 1,27 | 4,8  | 1,23 | 4,6  | 1,19 | 4,4  | 1,14 | 4,1  | 1,06 |
|        | 11,2                             | 10        | 5,4  | 1,21 | 5,1  | 1,13 | 4,8  | 1,07 | 4,6  | 1,07 | 4,4  | 1,01 | 4,1  | 0,95 |
|        | 16,4                             | 15        | 5,4  | 1,05 | 5,1  | 1,01 | 4,8  | 0,94 | 4,6  | 0,92 | 4,4  | 0,87 | 4,1  | 0,86 |

kWt = Heating capacity [kW]  
 kWe = Compressor + Fan power input [kW]  
 DB=Dry bulb  
 WB=Wet bulb

Notes: It is recommended to have system with Indoor/Outdoor Capacity Ratio less than 130%  
 Avoid running the unit in heating mode when outdoor air temperature is below -20°C  
 The above capacity tables show the average values in operating condition

# Partial Load Heating Performance with 100% Internal / External Power Ratio

## MSAN-XMi 200T

| % load | Indoor air Temperature D.B. (°C) |           |      |      |      |      |      |      |      |      |      |      |      |      |
|--------|----------------------------------|-----------|------|------|------|------|------|------|------|------|------|------|------|------|
|        | Outdoor air Temperature (°C)     |           | 16   |      | 18   |      | 20   |      | 21   |      | 22   |      | 24   |      |
|        | D.B. (°C)                        | W.B. (°C) | kWt  | kWe  | kWt  | kWe  | kWt  | kWe  | kWt  | kWe  | kWt  | kWe  | kWt  | kWe  |
| 100%   | -13,7                            | -15       | 15,4 | 6,04 | 15,4 | 6,26 | 15,3 | 6,47 | 15,3 | 6,59 | 15,3 | 6,69 | 15,2 | 6,91 |
|        | -9,5                             | -10       | 17,3 | 6,47 | 17,2 | 6,67 | 17,2 | 6,86 | 17,1 | 6,96 | 17,1 | 7,05 | 17,0 | 7,25 |
|        | -4,4                             | -5        | 19,5 | 6,89 | 19,4 | 6,80 | 19,4 | 7,23 | 19,4 | 7,31 | 19,4 | 7,40 | 19,1 | 7,42 |
|        | 0,7                              | 0         | 22,1 | 7,27 | 22,1 | 7,43 | 21,8 | 7,40 | 21,3 | 7,25 | 20,6 | 6,95 | 19,2 | 6,37 |
|        | 5,9                              | 5         | 24,7 | 7,39 | 23,4 | 6,91 | 22,0 | 6,41 | 21,3 | 6,16 | 20,6 | 5,92 | 19,2 | 5,44 |
|        | 7,0                              | 6         | 24,8 | 7,18 | 23,4 | 6,68 | 22,0 | 6,20 | 21,3 | 5,97 | 20,6 | 5,73 | 19,2 | 5,27 |
|        | 11,2                             | 10        | 24,8 | 6,31 | 23,4 | 5,89 | 22,0 | 5,48 | 21,3 | 5,27 | 20,6 | 5,07 | 19,2 | 4,67 |
|        | 16,4                             | 15        | 24,8 | 5,40 | 23,4 | 5,05 | 22,0 | 4,70 | 21,3 | 4,54 | 20,6 | 4,36 | 19,2 | 4,04 |
| 75%    | -13,7                            | -15       | 15,2 | 6,83 | 14,9 | 6,83 | 14,7 | 6,84 | 14,6 | 6,84 | 14,5 | 6,85 | 14,2 | 6,86 |
|        | -9,5                             | -10       | 16,6 | 6,85 | 16,3 | 6,86 | 16,1 | 6,87 | 16,0 | 6,88 | 15,5 | 6,60 | 14,4 | 6,06 |
|        | -4,4                             | -5        | 18,2 | 6,86 | 17,5 | 6,63 | 16,5 | 6,15 | 16,0 | 5,92 | 15,5 | 5,68 | 14,4 | 5,23 |
|        | 0,7                              | 0         | 18,6 | 6,06 | 17,5 | 5,65 | 16,5 | 5,26 | 16,0 | 5,07 | 15,5 | 4,87 | 14,4 | 4,49 |
|        | 5,9                              | 5         | 18,6 | 5,19 | 17,5 | 4,86 | 16,5 | 4,52 | 16,0 | 4,36 | 15,5 | 4,21 | 14,4 | 3,89 |
|        | 7,0                              | 6         | 18,6 | 5,03 | 17,5 | 4,71 | 16,5 | 4,39 | 16,0 | 4,24 | 15,5 | 4,08 | 14,4 | 3,78 |
|        | 11,2                             | 10        | 18,6 | 4,47 | 17,5 | 4,18 | 16,5 | 3,91 | 16,0 | 3,77 | 15,5 | 3,64 | 14,4 | 3,38 |
|        | 16,4                             | 15        | 18,6 | 3,86 | 17,5 | 3,63 | 16,5 | 3,40 | 16,0 | 3,28 | 15,5 | 3,17 | 14,4 | 2,96 |
| 50%    | -13,7                            | -15       | 12,4 | 6,04 | 11,7 | 5,62 | 11,0 | 5,22 | 10,6 | 5,03 | 10,3 | 4,83 | 9,6  | 4,45 |
|        | -9,5                             | -10       | 12,4 | 5,26 | 11,7 | 4,91 | 11,0 | 4,57 | 10,6 | 4,40 | 10,3 | 4,23 | 9,6  | 3,91 |
|        | -4,4                             | -5        | 12,4 | 4,54 | 11,7 | 4,25 | 11,0 | 3,97 | 10,6 | 3,83 | 10,3 | 3,69 | 9,6  | 3,41 |
|        | 0,7                              | 0         | 12,4 | 3,91 | 11,7 | 3,67 | 11,0 | 3,43 | 10,6 | 3,32 | 10,3 | 3,20 | 9,6  | 2,97 |
|        | 5,9                              | 5         | 12,4 | 3,39 | 11,7 | 3,19 | 11,0 | 2,99 | 10,6 | 2,89 | 10,3 | 2,79 | 9,6  | 2,60 |
|        | 7,0                              | 6         | 12,4 | 3,30 | 11,7 | 3,10 | 11,0 | 2,90 | 10,6 | 2,81 | 10,3 | 2,72 | 9,6  | 2,53 |
|        | 11,2                             | 10        | 12,4 | 2,95 | 11,7 | 2,78 | 11,0 | 2,61 | 10,6 | 2,53 | 10,3 | 2,45 | 9,6  | 2,29 |
|        | 16,4                             | 15        | 12,4 | 2,59 | 11,7 | 2,44 | 11,0 | 2,30 | 10,6 | 2,23 | 10,3 | 2,16 | 9,6  | 2,02 |
| 25     | -13,7                            | -15       | 6,2  | 2,99 | 5,8  | 2,80 | 5,5  | 2,60 | 5,3  | 2,51 | 5,1  | 2,41 | 4,8  | 2,24 |
|        | -9,5                             | -10       | 6,2  | 2,62 | 5,8  | 2,46 | 5,5  | 2,28 | 5,3  | 2,20 | 5,1  | 2,13 | 4,8  | 1,97 |
|        | -4,4                             | -5        | 6,2  | 2,26 | 5,8  | 2,12 | 5,5  | 1,98 | 5,3  | 1,93 | 5,1  | 1,84 | 4,8  | 1,72 |
|        | 0,7                              | 0         | 6,2  | 1,95 | 5,8  | 1,83 | 5,5  | 1,71 | 5,3  | 1,66 | 5,1  | 1,60 | 4,8  | 1,51 |
|        | 5,9                              | 5         | 6,2  | 1,69 | 5,8  | 1,59 | 5,5  | 1,52 | 5,3  | 1,47 | 5,1  | 1,42 | 4,8  | 1,31 |
|        | 7,0                              | 6         | 6,2  | 1,64 | 5,8  | 1,54 | 5,5  | 1,50 | 5,3  | 1,45 | 5,1  | 1,40 | 4,7  | 1,29 |
|        | 11,2                             | 10        | 6,2  | 1,47 | 5,8  | 1,38 | 5,5  | 1,30 | 5,3  | 1,30 | 5,1  | 1,24 | 4,7  | 1,16 |
|        | 16,4                             | 15        | 6,2  | 1,28 | 5,8  | 1,23 | 5,5  | 1,14 | 5,3  | 1,13 | 5,1  | 1,06 | 4,7  | 1,04 |

kWt = Heating capacity [kW]  
kWe = Compressor + Fan power input [kW]  
DB=Dry bulb  
WB=Wet bulb

Notes: It is recommended to have system with Indoor/Outdoor Capacity Ratio less than 130%  
Avoid running the unit in heating mode when outdoor air temperature is below -20°C  
The above capacity tables show the average values in operating condition



# Partial Load Heating Performance with 100% Internal / External Power Ratio

## MSAN-XMi 224T

| % load | Indoor air Temperature D.B. (°C) |           |      |      |      |      |      |      |      |      |      |      |      |      |
|--------|----------------------------------|-----------|------|------|------|------|------|------|------|------|------|------|------|------|
|        | Outdoor air Temperature (°C)     |           | 16   |      | 18   |      | 20   |      | 21   |      | 22   |      | 24   |      |
|        | D.B. (°C)                        | W.B. (°C) | kWt  | kWe  | kWt  | kWe  | kWt  | kWe  | kWt  | kWe  | kWt  | kWe  | kWt  | kWe  |
| 100%   | -13,7                            | -15       | 17,2 | 5,75 | 17,1 | 5,95 | 17,0 | 6,16 | 17,0 | 6,27 | 17,0 | 6,37 | 17,0 | 6,57 |
|        | -9,5                             | -10       | 19,2 | 6,16 | 19,1 | 6,34 | 19,1 | 6,53 | 19,1 | 6,62 | 19,1 | 6,71 | 19,0 | 6,90 |
|        | -4,4                             | -5        | 21,7 | 6,56 | 21,7 | 6,48 | 21,6 | 6,88 | 21,6 | 6,96 | 21,6 | 7,04 | 21,2 | 7,06 |
|        | 0,7                              | 0         | 24,6 | 6,92 | 24,6 | 7,25 | 24,5 | 7,21 | 24,1 | 7,05 | 23,1 | 6,67 | 21,4 | 6,05 |
|        | 5,9                              | 5         | 27,5 | 7,03 | 26,1 | 6,57 | 24,5 | 6,09 | 23,7 | 5,86 | 22,9 | 5,63 | 21,4 | 5,18 |
|        | 7,0                              | 6         | 27,6 | 6,83 | 26,1 | 6,36 | 24,5 | 5,90 | 23,7 | 5,68 | 22,9 | 5,46 | 21,4 | 5,02 |
|        | 11,2                             | 10        | 27,6 | 6,01 | 26,1 | 5,61 | 24,5 | 5,21 | 23,7 | 5,01 | 22,9 | 4,82 | 21,4 | 4,45 |
|        | 16,4                             | 15        | 27,6 | 5,14 | 26,1 | 4,80 | 24,5 | 4,47 | 23,7 | 4,31 | 22,9 | 4,15 | 21,4 | 3,85 |
| 75%    | -13,7                            | -15       | 16,9 | 6,61 | 16,6 | 6,61 | 16,4 | 6,62 | 16,3 | 6,62 | 16,1 | 6,62 | 15,9 | 6,64 |
|        | -9,5                             | -10       | 18,4 | 6,63 | 18,1 | 6,63 | 17,9 | 6,64 | 17,8 | 6,65 | 17,2 | 6,39 | 16,0 | 5,86 |
|        | -4,4                             | -5        | 20,3 | 6,64 | 19,5 | 6,42 | 18,4 | 5,95 | 17,8 | 5,72 | 17,2 | 5,50 | 16,0 | 5,06 |
|        | 0,7                              | 0         | 20,7 | 5,86 | 19,5 | 5,47 | 18,4 | 5,08 | 17,8 | 4,90 | 17,2 | 4,71 | 16,0 | 4,34 |
|        | 5,9                              | 5         | 20,7 | 5,02 | 19,5 | 4,70 | 18,4 | 4,37 | 17,8 | 4,22 | 17,2 | 4,07 | 16,0 | 3,76 |
|        | 7,0                              | 6         | 20,7 | 4,87 | 19,5 | 4,56 | 18,4 | 4,24 | 17,8 | 4,10 | 17,2 | 3,95 | 16,0 | 3,65 |
|        | 11,2                             | 10        | 20,7 | 4,32 | 19,5 | 4,05 | 18,4 | 3,78 | 17,8 | 3,65 | 17,2 | 3,52 | 16,0 | 3,27 |
|        | 16,4                             | 15        | 20,7 | 3,73 | 19,5 | 3,51 | 18,4 | 3,29 | 17,8 | 3,17 | 17,2 | 3,07 | 16,0 | 2,86 |
| 50%    | -13,7                            | -15       | 13,8 | 5,84 | 13,0 | 5,44 | 12,3 | 5,05 | 11,8 | 4,86 | 11,4 | 4,67 | 10,7 | 4,31 |
|        | -9,5                             | -10       | 13,8 | 5,09 | 13,0 | 4,75 | 12,3 | 4,42 | 11,8 | 4,26 | 11,4 | 4,10 | 10,7 | 3,78 |
|        | -4,4                             | -5        | 13,8 | 4,40 | 13,0 | 4,11 | 12,3 | 3,84 | 11,8 | 3,70 | 11,4 | 3,56 | 10,7 | 3,30 |
|        | 0,7                              | 0         | 13,8 | 3,79 | 13,0 | 3,55 | 12,3 | 3,32 | 11,8 | 3,21 | 11,4 | 3,09 | 10,7 | 2,87 |
|        | 5,9                              | 5         | 13,8 | 3,28 | 13,0 | 3,08 | 12,3 | 2,89 | 11,8 | 2,79 | 11,4 | 2,70 | 10,7 | 2,51 |
|        | 7,0                              | 6         | 13,8 | 3,19 | 13,0 | 3,00 | 12,3 | 2,81 | 11,8 | 2,72 | 11,4 | 2,63 | 10,7 | 2,45 |
|        | 11,2                             | 10        | 13,8 | 2,86 | 13,0 | 2,69 | 12,3 | 2,53 | 11,8 | 2,45 | 11,4 | 2,37 | 10,7 | 2,21 |
|        | 16,4                             | 15        | 13,8 | 2,50 | 13,0 | 2,36 | 12,3 | 2,22 | 11,8 | 2,15 | 11,4 | 2,09 | 10,7 | 1,95 |
| 25     | -13,7                            | -15       | 6,9  | 2,89 | 6,5  | 2,70 | 6,1  | 2,51 | 5,9  | 2,43 | 5,7  | 2,34 | 5,3  | 2,16 |
|        | -9,5                             | -10       | 6,9  | 2,53 | 6,5  | 2,38 | 6,1  | 2,20 | 5,9  | 2,13 | 5,7  | 2,06 | 5,3  | 1,91 |
|        | -4,4                             | -5        | 6,9  | 2,19 | 6,5  | 2,05 | 6,1  | 1,91 | 5,9  | 1,87 | 5,7  | 1,78 | 5,3  | 1,66 |
|        | 0,7                              | 0         | 6,9  | 1,89 | 6,5  | 1,77 | 6,1  | 1,66 | 5,9  | 1,60 | 5,7  | 1,55 | 5,3  | 1,46 |
|        | 5,9                              | 5         | 6,9  | 1,64 | 6,5  | 1,54 | 6,1  | 1,47 | 5,9  | 1,42 | 5,7  | 1,37 | 5,3  | 1,27 |
|        | 7,0                              | 6         | 6,9  | 1,59 | 6,5  | 1,49 | 6,1  | 1,45 | 5,9  | 1,40 | 5,7  | 1,35 | 5,3  | 1,25 |
|        | 11,2                             | 10        | 6,9  | 1,42 | 6,5  | 1,34 | 6,1  | 1,26 | 5,9  | 1,26 | 5,7  | 1,19 | 5,3  | 1,12 |
|        | 16,4                             | 15        | 6,9  | 1,23 | 6,5  | 1,19 | 6,1  | 1,10 | 5,9  | 1,09 | 5,7  | 1,02 | 5,3  | 1,01 |

kWt = Heating capacity [kW]  
 kWe = Compressor + Fan power input [kW]  
 DB=Dry bulb  
 WB=Wet bulb

Notes: It is recommended to have system with Indoor/Outdoor Capacity Ratio less than 130%  
 Avoid running the unit in heating mode when outdoor air temperature is below -20°C  
 The above capacity tables show the average values in operating condition

# Partial Load Heating Performance with 100% Internal / External Power Ratio

## MSAN-XMi 260T

| % load | Indoor air Temperature D.B. (°C) |           |      |      |      |      |      |      |      |      |      |      |      |      |
|--------|----------------------------------|-----------|------|------|------|------|------|------|------|------|------|------|------|------|
|        | Outdoor air Temperature (°C)     |           | 16   |      | 18   |      | 20   |      | 21   |      | 22   |      | 24   |      |
|        | D.B. (°C)                        | W.B. (°C) | kWt  | kWe  | kWt  | kWe  | kWt  | kWe  | kWt  | kWe  | kWt  | kWe  | kWt  | kWe  |
| 100%   | -13,7                            | -15       | 20,0 | 7,03 | 19,9 | 7,29 | 19,8 | 7,54 | 19,8 | 7,67 | 19,8 | 7,79 | 19,7 | 8,04 |
|        | -9,5                             | -10       | 22,3 | 7,54 | 22,3 | 7,76 | 22,3 | 7,99 | 22,2 | 8,10 | 22,2 | 8,21 | 22,1 | 8,44 |
|        | -4,4                             | -5        | 25,3 | 8,03 | 25,2 | 7,93 | 25,2 | 8,42 | 25,1 | 8,52 | 25,1 | 8,62 | 24,7 | 8,64 |
|        | 0,7                              | 0         | 28,7 | 8,47 | 28,6 | 8,64 | 28,1 | 8,62 | 27,6 | 8,44 | 26,7 | 8,09 | 24,9 | 7,43 |
|        | 5,9                              | 5         | 32,0 | 8,60 | 30,3 | 8,04 | 28,5 | 7,46 | 27,6 | 7,18 | 26,7 | 6,90 | 24,9 | 6,34 |
|        | 7                                | 6         | 32,1 | 8,36 | 30,3 | 7,78 | 28,5 | 7,22 | 27,6 | 6,95 | 26,7 | 6,68 | 24,9 | 6,14 |
|        | 11,2                             | 10        | 32,1 | 7,36 | 30,3 | 6,86 | 28,5 | 6,37 | 27,6 | 6,13 | 26,7 | 5,91 | 24,9 | 5,45 |
|        | 16,4                             | 15        | 32,1 | 6,28 | 30,3 | 5,87 | 28,5 | 5,47 | 27,6 | 5,27 | 26,7 | 5,08 | 24,9 | 4,70 |
| 75%    | -13,7                            | -15       | 19,7 | 7,62 | 19,3 | 7,62 | 19,1 | 7,63 | 18,9 | 7,63 | 18,7 | 7,63 | 18,5 | 7,65 |
|        | -9,5                             | -10       | 21,4 | 7,64 | 21,1 | 7,65 | 20,8 | 7,65 | 20,7 | 7,67 | 20,0 | 7,36 | 18,7 | 6,76 |
|        | -4,4                             | -5        | 23,6 | 7,65 | 22,7 | 7,39 | 21,4 | 6,86 | 20,7 | 6,60 | 20,0 | 6,33 | 18,7 | 5,83 |
|        | 0,7                              | 0         | 24,1 | 6,76 | 22,7 | 6,30 | 21,4 | 5,86 | 20,7 | 5,65 | 20,0 | 5,43 | 18,7 | 5,01 |
|        | 5,9                              | 5         | 24,1 | 5,79 | 22,7 | 5,41 | 21,4 | 5,04 | 20,7 | 4,86 | 20,0 | 4,69 | 18,7 | 4,33 |
|        | 7,0                              | 6         | 24,1 | 5,61 | 22,7 | 5,25 | 21,4 | 4,89 | 20,7 | 4,72 | 20,0 | 4,55 | 18,7 | 4,21 |
|        | 11,2                             | 10        | 24,1 | 4,98 | 22,7 | 4,67 | 21,4 | 4,36 | 20,7 | 4,21 | 20,0 | 4,06 | 18,7 | 3,77 |
|        | 16,4                             | 15        | 24,1 | 4,30 | 22,7 | 4,04 | 21,4 | 3,79 | 20,7 | 3,66 | 20,0 | 3,53 | 18,7 | 3,30 |
| 50%    | -13,7                            | -15       | 16,1 | 6,73 | 15,2 | 6,27 | 14,3 | 5,82 | 13,8 | 5,60 | 13,3 | 5,39 | 12,4 | 4,96 |
|        | -9,5                             | -10       | 16,1 | 5,87 | 15,2 | 5,47 | 14,3 | 5,09 | 13,8 | 4,91 | 13,3 | 4,72 | 12,4 | 4,36 |
|        | -4,4                             | -5        | 16,1 | 5,07 | 15,2 | 4,74 | 14,3 | 4,42 | 13,8 | 4,26 | 13,3 | 4,11 | 12,4 | 3,80 |
|        | 0,7                              | 0         | 16,1 | 4,36 | 15,2 | 4,09 | 14,3 | 3,83 | 13,8 | 3,70 | 13,3 | 3,56 | 12,4 | 3,31 |
|        | 5,9                              | 5         | 16,1 | 3,78 | 15,2 | 3,55 | 14,3 | 3,33 | 13,8 | 3,22 | 13,3 | 3,11 | 12,4 | 2,90 |
|        | 7,0                              | 6         | 16,1 | 3,68 | 15,2 | 3,45 | 14,3 | 3,24 | 13,8 | 3,13 | 13,3 | 3,03 | 12,4 | 2,82 |
|        | 11,2                             | 10        | 16,1 | 3,29 | 15,2 | 3,10 | 14,3 | 2,91 | 13,8 | 2,82 | 13,3 | 2,73 | 12,4 | 2,55 |
|        | 16,4                             | 15        | 16,1 | 2,88 | 15,2 | 2,72 | 14,3 | 2,56 | 13,8 | 2,48 | 13,3 | 2,41 | 12,4 | 2,25 |
| 25     | -13,7                            | -15       | 8,0  | 3,33 | 7,6  | 3,12 | 7,1  | 2,89 | 6,9  | 2,80 | 6,6  | 2,69 | 6,2  | 2,49 |
|        | -9,5                             | -10       | 8,0  | 2,92 | 7,6  | 2,74 | 7,1  | 2,54 | 6,9  | 2,45 | 6,6  | 2,37 | 6,2  | 2,20 |
|        | -4,4                             | -5        | 8,0  | 2,52 | 7,6  | 2,36 | 7,1  | 2,20 | 6,9  | 2,16 | 6,6  | 2,05 | 6,2  | 1,91 |
|        | 0,7                              | 0         | 8,0  | 2,17 | 7,6  | 2,04 | 7,1  | 1,91 | 6,9  | 1,85 | 6,6  | 1,79 | 6,2  | 1,68 |
|        | 5,9                              | 5         | 8,0  | 1,89 | 7,6  | 1,77 | 7,1  | 1,69 | 6,9  | 1,63 | 6,6  | 1,58 | 6,2  | 1,46 |
|        | 7,0                              | 6         | 8,0  | 1,83 | 7,6  | 1,72 | 7,1  | 1,67 | 6,8  | 1,61 | 6,6  | 1,56 | 6,2  | 1,44 |
|        | 11,2                             | 10        | 8,0  | 1,64 | 7,6  | 1,54 | 7,1  | 1,45 | 6,8  | 1,45 | 6,6  | 1,38 | 6,2  | 1,30 |
|        | 16,4                             | 15        | 8,0  | 1,42 | 7,6  | 1,37 | 7,1  | 1,27 | 6,8  | 1,25 | 6,6  | 1,18 | 6,2  | 1,16 |

kWt = Heating capacity [kW]  
kWe = Compressor + Fan power input [kW]  
DB=Dry bulb  
WB=Wet bulb

Notes: It is recommended to have system with Indoor/Outdoor Capacity Ratio less than 130%  
Avoid running the unit in heating mode when outdoor air temperature is below -20°C  
The above capacity tables show the average values in operating condition

# Partial Load Heating Performance with 100% Internal / External Power Ratio

## MSAN-XMi 400T

| % load | Indoor air Temperature D.B. (°C) |           |      |       |      |       |      |       |      |       |      |       |      |       |
|--------|----------------------------------|-----------|------|-------|------|-------|------|-------|------|-------|------|-------|------|-------|
|        | Outdoor air Temperature (°C)     |           | 16   |       | 18   |       | 20   |       | 21   |       | 22   |       | 24   |       |
|        | D.B. (°C)                        | W.B. (°C) | kWt  | kWe   | kWt  | kWe   | kWt  | kWe   | kWt  | kWe   | kWt  | kWe   | kWt  | kWe   |
| 100%   | -13,7                            | -15       | 28,1 | 9,74  | 27,9 | 10,09 | 27,8 | 10,44 | 27,8 | 10,62 | 27,8 | 10,79 | 27,7 | 11,14 |
|        | -9,5                             | -10       | 31,4 | 10,44 | 31,2 | 10,75 | 31,2 | 11,07 | 31,1 | 11,22 | 31,1 | 11,38 | 31,0 | 11,69 |
|        | -4,4                             | -5        | 35,4 | 11,12 | 35,4 | 10,98 | 35,3 | 11,67 | 35,2 | 11,80 | 35,2 | 11,94 | 34,6 | 11,97 |
|        | 0,7                              | 0         | 40,3 | 11,73 | 40,2 | 11,97 | 39,5 | 11,94 | 38,7 | 11,69 | 37,5 | 11,21 | 34,9 | 10,28 |
|        | 5,9                              | 5         | 44,9 | 11,91 | 42,5 | 11,14 | 40,0 | 10,33 | 38,7 | 9,94  | 37,5 | 9,55  | 34,9 | 8,78  |
|        | 7,0                              | 6         | 45,1 | 11,58 | 42,5 | 10,78 | 40,0 | 10,00 | 38,7 | 9,62  | 37,5 | 9,25  | 34,9 | 8,51  |
|        | 11,2                             | 10        | 45,1 | 10,19 | 42,5 | 9,50  | 40,0 | 8,83  | 38,7 | 8,50  | 37,5 | 8,17  | 34,9 | 7,54  |
|        | 16,4                             | 15        | 45,1 | 8,71  | 42,5 | 8,13  | 40,0 | 7,59  | 38,7 | 7,31  | 37,5 | 7,04  | 34,9 | 6,52  |
| 75%    | -13,7                            | -15       | 31,1 | 12,44 | 30,5 | 12,43 | 30,1 | 12,45 | 29,9 | 12,45 | 29,6 | 12,46 | 29,1 | 12,48 |
|        | -9,5                             | -10       | 33,9 | 12,47 | 33,3 | 12,48 | 32,9 | 12,49 | 32,7 | 12,51 | 31,6 | 12,02 | 29,5 | 11,03 |
|        | -4,4                             | -5        | 37,2 | 12,49 | 35,9 | 12,07 | 33,8 | 11,19 | 32,7 | 10,77 | 31,6 | 10,34 | 29,5 | 9,51  |
|        | 0,7                              | 0         | 38,0 | 11,03 | 35,9 | 10,28 | 33,8 | 9,57  | 32,7 | 9,22  | 31,6 | 8,86  | 29,5 | 8,17  |
|        | 5,9                              | 5         | 38,0 | 9,45  | 35,9 | 8,84  | 33,8 | 8,23  | 32,7 | 7,94  | 31,6 | 7,65  | 29,5 | 7,08  |
|        | 7,0                              | 6         | 38,0 | 9,15  | 35,9 | 8,57  | 33,8 | 7,99  | 32,7 | 7,71  | 31,6 | 7,43  | 29,5 | 6,87  |
|        | 11,2                             | 10        | 38,0 | 8,13  | 35,9 | 7,62  | 33,8 | 7,11  | 32,7 | 6,86  | 31,6 | 6,62  | 29,5 | 6,15  |
|        | 16,4                             | 15        | 38,0 | 7,02  | 35,9 | 6,60  | 33,8 | 6,18  | 32,7 | 5,97  | 31,6 | 5,77  | 29,5 | 5,38  |
| 50%    | -13,7                            | -15       | 25,4 | 10,99 | 23,9 | 10,24 | 22,5 | 9,50  | 21,7 | 9,15  | 21,0 | 8,79  | 19,6 | 8,10  |
|        | -9,5                             | -10       | 25,4 | 9,57  | 23,9 | 8,93  | 22,5 | 8,31  | 21,7 | 8,01  | 21,0 | 7,71  | 19,6 | 7,11  |
|        | -4,4                             | -5        | 25,4 | 8,27  | 23,9 | 7,74  | 22,5 | 7,22  | 21,7 | 6,96  | 21,0 | 6,71  | 19,6 | 6,21  |
|        | 0,7                              | 0         | 25,4 | 7,12  | 23,9 | 6,68  | 22,5 | 6,25  | 21,7 | 6,03  | 21,0 | 5,82  | 19,6 | 5,40  |
|        | 5,9                              | 5         | 25,4 | 6,17  | 23,9 | 5,80  | 22,5 | 5,43  | 21,7 | 5,26  | 21,0 | 5,08  | 19,6 | 4,73  |
|        | 7,0                              | 6         | 25,4 | 6,00  | 23,9 | 5,64  | 22,5 | 5,29  | 21,7 | 5,11  | 21,0 | 4,95  | 19,6 | 4,61  |
|        | 11,2                             | 10        | 25,4 | 5,37  | 23,9 | 5,06  | 22,5 | 4,76  | 21,7 | 4,60  | 21,0 | 4,45  | 19,6 | 4,16  |
|        | 16,4                             | 15        | 25,4 | 4,71  | 23,9 | 4,43  | 22,5 | 4,18  | 21,7 | 4,05  | 21,0 | 3,93  | 19,6 | 3,68  |
| 25     | -13,7                            | -15       | 12,7 | 5,44  | 12,0 | 5,09  | 11,3 | 4,72  | 10,8 | 4,57  | 10,5 | 4,39  | 9,8  | 4,07  |
|        | -9,5                             | -10       | 12,7 | 4,76  | 12,0 | 4,48  | 11,3 | 4,14  | 10,8 | 4,01  | 10,5 | 3,87  | 9,8  | 3,59  |
|        | -4,4                             | -5        | 12,7 | 4,12  | 12,0 | 3,86  | 11,3 | 3,59  | 10,8 | 3,52  | 10,5 | 3,35  | 9,8  | 3,12  |
|        | 0,7                              | 0         | 12,7 | 3,55  | 12,0 | 3,33  | 11,3 | 3,11  | 10,8 | 3,02  | 10,5 | 2,92  | 9,8  | 2,75  |
|        | 5,9                              | 5         | 12,7 | 3,08  | 12,0 | 2,89  | 11,3 | 2,76  | 10,8 | 2,67  | 10,5 | 2,58  | 9,7  | 2,38  |
|        | 7,0                              | 6         | 12,7 | 2,99  | 12,0 | 2,81  | 11,3 | 2,73  | 10,8 | 2,63  | 10,5 | 2,54  | 9,7  | 2,35  |
|        | 11,2                             | 10        | 12,7 | 2,68  | 12,0 | 2,52  | 11,3 | 2,36  | 10,8 | 2,37  | 10,5 | 2,25  | 9,7  | 2,11  |
|        | 16,4                             | 15        | 12,7 | 2,32  | 12,0 | 2,24  | 11,3 | 2,08  | 10,8 | 2,05  | 10,5 | 1,92  | 9,7  | 1,90  |

kWt = Heating capacity [kW]  
 kWe = Compressor + Fan power input [kW]  
 DB=Dry bulb  
 WB=Wet bulb

Notes: It is recommended to have system with Indoor/Outdoor Capacity Ratio less than 130%  
 Avoid running the unit in heating mode when outdoor air temperature is below -20°C  
 The above capacity tables show the average values in operating condition

# Partial Load Heating Performance with 100% Internal / External Power Ratio

## MSAN-XMi 450T

| % load | Indoor air Temperature D.B. (°C) |           |      |       |      |       |      |       |      |       |      |       |      |       |
|--------|----------------------------------|-----------|------|-------|------|-------|------|-------|------|-------|------|-------|------|-------|
|        | Outdoor air Temperature (°C)     |           | 16   |       | 18   |       | 20   |       | 21   |       | 22   |       | 24   |       |
|        | D.B. (°C)                        | W.B. (°C) | kWt  | kWe   | kWt  | kWe   | kWt  | kWe   | kWt  | kWe   | kWt  | kWe   | kWt  | kWe   |
| 100%   | -13,7                            | -15       | 31,6 | 10,82 | 31,4 | 11,21 | 31,3 | 11,60 | 31,3 | 11,80 | 31,3 | 11,99 | 31,1 | 12,38 |
|        | -9,5                             | -10       | 35,3 | 11,60 | 35,1 | 11,95 | 35,1 | 12,29 | 35,0 | 12,47 | 35,0 | 12,64 | 34,9 | 12,99 |
|        | -4,4                             | -5        | 39,9 | 12,35 | 39,7 | 12,19 | 39,7 | 12,96 | 39,6 | 13,11 | 39,6 | 13,26 | 39,0 | 13,30 |
|        | 0,7                              | 0         | 45,3 | 13,03 | 45,2 | 13,30 | 44,5 | 13,26 | 43,6 | 12,98 | 42,1 | 12,45 | 39,3 | 11,42 |
|        | 5,9                              | 5         | 50,5 | 13,23 | 47,9 | 12,38 | 45,0 | 11,47 | 43,6 | 11,04 | 42,1 | 10,61 | 39,3 | 9,76  |
|        | 7,0                              | 6         | 50,7 | 12,87 | 47,9 | 11,98 | 45,0 | 11,11 | 43,6 | 10,69 | 42,1 | 10,27 | 39,3 | 9,45  |
|        | 11,2                             | 10        | 50,7 | 11,31 | 47,9 | 10,56 | 45,0 | 9,81  | 43,6 | 9,44  | 42,1 | 9,08  | 39,3 | 8,38  |
|        | 16,4                             | 15        | 50,7 | 9,68  | 47,9 | 9,04  | 45,0 | 8,41  | 43,6 | 8,11  | 42,1 | 7,82  | 39,3 | 7,24  |
| 75%    | -13,7                            | -15       | 34,5 | 14,23 | 33,9 | 14,22 | 33,5 | 14,24 | 33,2 | 14,24 | 32,9 | 14,25 | 32,4 | 14,28 |
|        | -9,5                             | -10       | 37,6 | 14,27 | 37,0 | 14,28 | 36,5 | 14,30 | 36,3 | 14,32 | 35,1 | 13,75 | 32,7 | 12,62 |
|        | -4,4                             | -5        | 41,4 | 14,29 | 39,9 | 13,81 | 37,5 | 12,80 | 36,3 | 12,32 | 35,1 | 11,83 | 32,7 | 10,89 |
|        | 0,7                              | 0         | 42,3 | 12,62 | 39,9 | 11,77 | 37,5 | 10,95 | 36,3 | 10,55 | 35,1 | 10,13 | 32,7 | 9,35  |
|        | 5,9                              | 5         | 42,3 | 10,81 | 39,9 | 10,11 | 37,5 | 9,42  | 36,3 | 9,08  | 35,1 | 8,76  | 32,7 | 8,10  |
|        | 7,0                              | 6         | 42,3 | 10,47 | 39,9 | 9,81  | 37,5 | 9,14  | 36,3 | 8,82  | 35,1 | 8,50  | 32,7 | 7,86  |
|        | 11,2                             | 10        | 42,3 | 9,30  | 39,9 | 8,71  | 37,5 | 8,14  | 36,3 | 7,85  | 35,1 | 7,58  | 32,7 | 7,04  |
|        | 16,4                             | 15        | 42,3 | 8,04  | 39,9 | 7,55  | 37,5 | 7,08  | 36,3 | 6,83  | 35,1 | 6,60  | 32,7 | 6,15  |
| 50%    | -13,7                            | -15       | 28,2 | 12,57 | 26,6 | 11,71 | 25,0 | 10,87 | 24,1 | 10,47 | 23,4 | 10,06 | 21,8 | 9,27  |
|        | -9,5                             | -10       | 28,2 | 10,95 | 26,6 | 10,22 | 25,0 | 9,51  | 24,1 | 9,17  | 23,4 | 8,82  | 21,8 | 8,14  |
|        | -4,4                             | -5        | 28,2 | 9,46  | 26,6 | 8,85  | 25,0 | 8,26  | 24,1 | 7,97  | 23,4 | 7,67  | 21,8 | 7,11  |
|        | 0,7                              | 0         | 28,2 | 8,15  | 26,6 | 7,64  | 25,0 | 7,15  | 24,1 | 6,90  | 23,4 | 6,66  | 21,8 | 6,18  |
|        | 5,9                              | 5         | 28,2 | 7,06  | 26,6 | 6,64  | 25,0 | 6,22  | 24,1 | 6,01  | 23,4 | 5,81  | 21,8 | 5,41  |
|        | 7,0                              | 6         | 28,2 | 6,86  | 26,6 | 6,45  | 25,0 | 6,05  | 24,1 | 5,85  | 23,4 | 5,66  | 21,8 | 5,27  |
|        | 11,2                             | 10        | 28,2 | 6,15  | 26,6 | 5,79  | 25,0 | 5,44  | 24,1 | 5,27  | 23,4 | 5,09  | 21,8 | 4,76  |
|        | 16,4                             | 15        | 28,2 | 5,38  | 26,6 | 5,07  | 25,0 | 4,78  | 24,1 | 4,64  | 23,4 | 4,50  | 21,8 | 4,21  |
| 25     | -13,7                            | -15       | 14,1 | 6,23  | 13,3 | 5,82  | 12,5 | 5,41  | 12,0 | 5,23  | 11,6 | 5,03  | 10,8 | 4,66  |
|        | -9,5                             | -10       | 14,1 | 5,45  | 13,3 | 5,12  | 12,5 | 4,74  | 12,0 | 4,58  | 11,6 | 4,43  | 10,8 | 4,11  |
|        | -4,4                             | -5        | 14,1 | 4,71  | 13,3 | 4,41  | 12,5 | 4,11  | 12,0 | 4,03  | 11,6 | 3,84  | 10,8 | 3,58  |
|        | 0,7                              | 0         | 14,1 | 4,06  | 13,3 | 3,81  | 12,5 | 3,56  | 12,0 | 3,45  | 11,6 | 3,34  | 10,8 | 3,14  |
|        | 5,9                              | 5         | 14,1 | 3,52  | 13,3 | 3,30  | 12,5 | 3,16  | 12,0 | 3,05  | 11,6 | 2,96  | 10,8 | 2,72  |
|        | 7,0                              | 6         | 14,1 | 3,42  | 13,3 | 3,21  | 12,5 | 3,13  | 12,0 | 3,01  | 11,6 | 2,91  | 10,8 | 2,69  |
|        | 11,2                             | 10        | 14,1 | 3,06  | 13,3 | 2,88  | 12,5 | 2,71  | 12,0 | 2,71  | 11,6 | 2,57  | 10,8 | 2,42  |
|        | 16,4                             | 15        | 14,1 | 2,66  | 13,3 | 2,56  | 12,5 | 2,38  | 12,0 | 2,34  | 11,6 | 2,20  | 10,8 | 2,17  |

kWt = Heating capacity [kW]  
kWe = Compressor + Fan power input [kW]  
DB=Dry bulb  
WB=Wet bulb

Notes: It is recommended to have system with Indoor/Outdoor Capacity Ratio less than 130%  
Avoid running the unit in heating mode when outdoor air temperature is below -20°C  
The above capacity tables show the average values in operating condition

# **Part 3**

# **System Design**

# **and**

# **Installation**

# 1 - Preface

## Notes for Installers

The information contained in this Technical Bulletin may primarily be of use during the system design stage of a MSAN-XMi Series Mini VRF project. Additional important information which may primarily be of use during field installation are titled as "Notes for installers".

## Definitions

In this Technical Bulletin, the term "applicable legislation" refers to all national, local and other laws, standards, codes, rules, regulations and other legislation that apply in a given situation.

## Precautions

All system installation including installation of piping and electrical works must only be carried out by competent and suitably qualified, certified and accredited professionals and in accordance with all applicable legislation.

## 2 - Unit placement and installation

### 2.1 Outdoor units

#### 2.1.1 Placement considerations

Placement of outdoor units should take account of the following considerations:

- Air conditioners should not be exposed to direct radiation from a high-temperature heat source.
- Air conditioners should not be installed in positions where dust or dirt may affect heat exchangers.
- Air conditioners should not be installed in locations where exposure to oil or to corrosive or harmful gases, such as acidic or alkaline gases, may occur.
- The air conditioning units must not be installed in areas potentially exposed to salinity. If the product is installed in coastal areas, adopt the precautions described in Chapter 10, "Installation in areas highly exposed to salinity".
- Outdoor units should be installed in well-drained, well-ventilated positions that are as close as possible to the indoor units.

#### 2.1.2 Spacing

The outdoor units must be sufficiently distanced to allow an adequate amount of air to flow through each unit. An adequate flow of air through the heat exchangers is crucial to the correct operation of the outdoor units. Figures 2.1 to 2.6 show the space requirements for the various sizes depending on the installation solutions.

#### Size 80M - 180T

Figure 2.1: Single unit installation [mm]

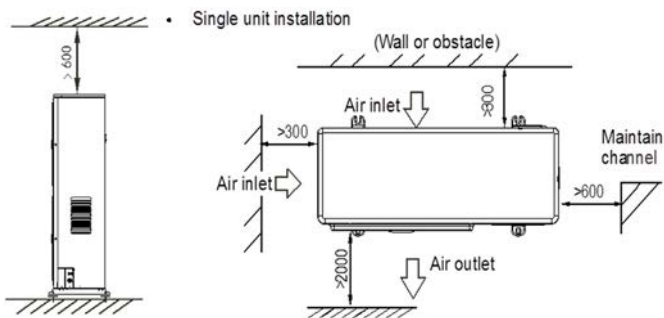
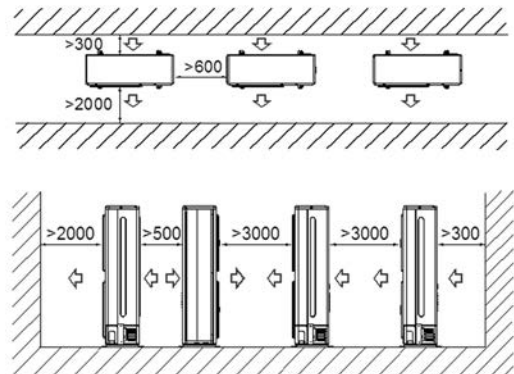


Figure 2.2: Multiple unit installation [mm]



#### Size 200T - 260T

Figure 2.3: Single unit installation [mm]

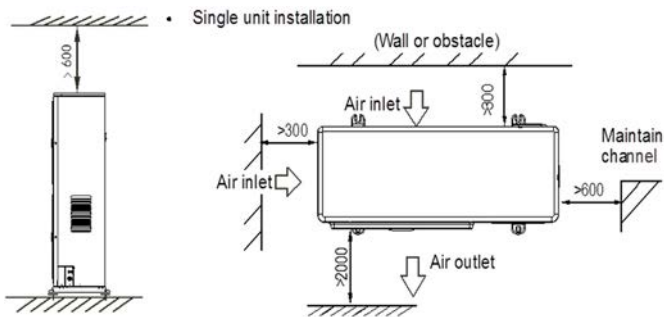
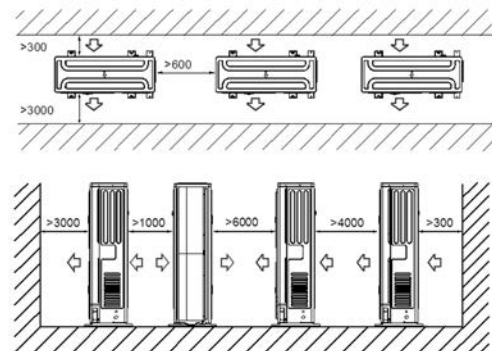


Figure 2.4: Multiple unit installation [mm]



#### Size 400T - 450T

Figure 2.5: Single unit installation [mm]

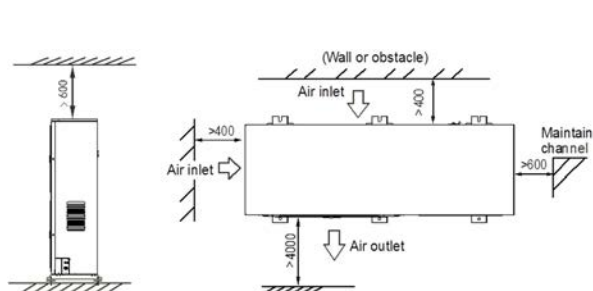
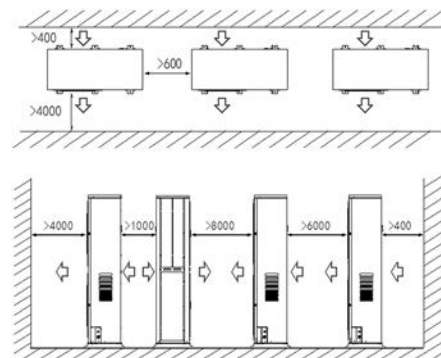


Figure 2.6: Multiple unit installation [mm]

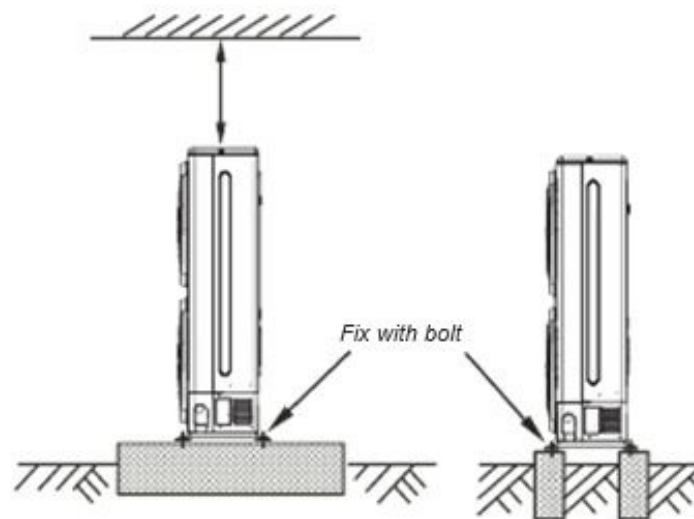


### 2.1.3 Base structures

Outdoor unit base structure design should take account of the following considerations:

- A solid base prevents excess vibration and noise. Outdoor unit bases should be constructed on solid ground or on structures of sufficient strength to support the units' weight.
- The bases must conform to the specifications of the outdoor unit and ensure sufficient manoeuvring space for the installation of piping.
- Either steel or concrete bases may be suitable.
- A typical concrete base design is shown in Figure 2.5. A typical concrete specification is 1 part cement, 2 parts sand and 4 parts crushed stone with  $\Phi 10\text{mm}$  steel reinforcing bar. The edges of the base should be chamfered.
- To ensure that all contact points are equally secure, bases should be completely level. Base design should ensure that the points on the units' bases designed for weight-bearing support are fully supported. Bolt spacings should be as per Figure 2.6 and Table 2.1.
- A drainage ditch should be provided to allow drainage of condensate that may form on the heat exchangers when the units are running in heating mode. The drainage should ensure that condensate is directed away from roadways and footpaths, especially in locations where the climate is such that condensate may freeze.

Fig 2.7: structural design of a common concrete base for an outdoor unit [mm]



### 2.1.4 Acceptance and unpacking

#### Notes for installers

- When units are delivered check whether any damage occurred during shipment. If there is damage to the surface or outside of a unit, submit a written report to the shipping company.
- Check that the model, specifications and quantity of the units delivered are as ordered.
- Check that all accessories ordered have been included. Retain the Owner's Manual for future reference

### 2.1.6 Hoisting

#### Notes for installers

- Do not remove any packaging before hoisting. If units are not packaged or if the packaging is damaged, use suitable boards or packing material to protect the units.
- Hoist one unit at a time, using two ropes to ensure stability.
- Keep units upright during hoisting, ensuring that the angle to the vertical does not exceed  $30^\circ$ .



## 2.2 Indoor units

### 2.2.1 Placement considerations

Placement of indoor units should take account of the following considerations:

- Sufficient space for drain piping and for access during servicing and maintenance should be allowed.
- To ensure a good cooling/heating effect, short-circuit ventilation (where outlet air returns quickly to a unit's air inlet) should be avoided.
- To prevent excessive noise or vibration during operation, suspension rods or other weight-bearing fixings should typically be able to bear twice the unit's weight.

#### Notes for installers

- Before installing an indoor unit, check that the model to be installed is as specified in the construction drawings and confirm the correct orientation of the unit.
- Ensure that units are installed at the correct height.
- To allow smooth condensate drainage and to ensure unit stability (to prevent excessive noise or vibration), ensure that units are level to within 1° of the horizontal. If a unit is not level to within 1° of the horizontal, water leakage or abnormal vibration/noise may occur.

## 3 - Refrigerant piping design

### 3.1 Design considerations

Refrigerant piping design should take account of the following considerations:

- The amount of brazing required should be kept to a minimum.
- On the two inside sides of the first indoor branch joint ("A" in Figures 4.2, 4.3 and 4.4) the system should, as far as possible, be equal in terms of number of units, total capacities and total piping lengths.

### 3.2 Material specification

Only seamless phosphorus-deoxidized copper piping that complies with all applicable legislation should be used. Temper grades and minimum thicknesses for different diameters of piping are specified in Table 4.1.

Table 4.1: Piping temper and thickness

| Piping outer diameter [mm] | Temper <sup>1</sup> | Minimum thickness [mm] |
|----------------------------|---------------------|------------------------|
| Ø6,35                      | 0<br>(annealed)     | 0,8                    |
| Ø9,53                      |                     | 0,8                    |
| Ø12,7                      |                     | 0,8                    |
| Ø15,9                      |                     | 1,0                    |
| Ø19,1                      |                     | 1,0                    |
| Ø22,2                      | 1/2H<br>(half hard) | 1,2                    |
| Ø25,4                      |                     | 1,2                    |
| Ø28,6                      |                     | 1,3                    |
| Ø31,8                      |                     | 1,5                    |
| Ø38,1                      |                     | 1,5                    |
| Ø41,3                      |                     | 1,5                    |
| Ø44,5                      |                     | 1,5                    |
| Ø54,0                      |                     | 1,8                    |

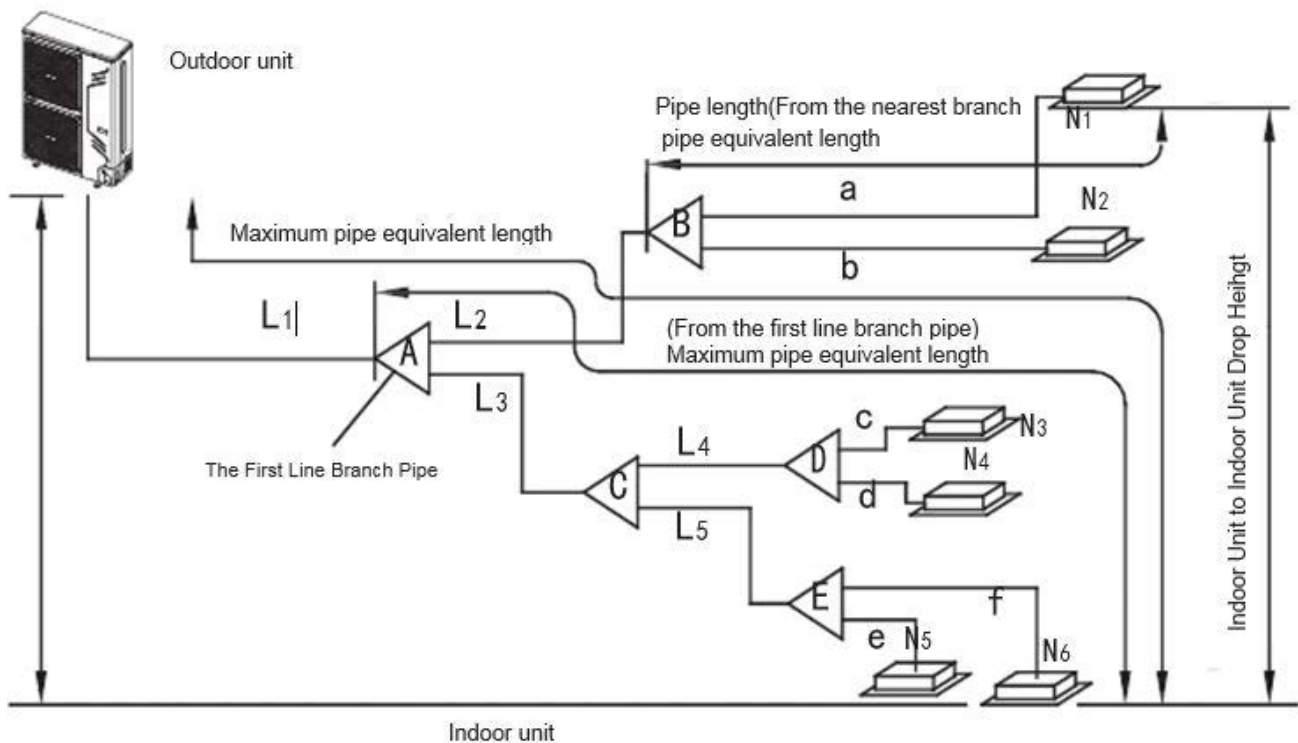
Notes: 0: coiled piping; 1/2H: straight piping.

### 3.3 Permitted piping lengths and level differences

The applicable requirements concerning the length and height difference of the piping are summarised in Table 4.3 and described in detail below (refer to Figure 4.2):

- Requirement 1:** the total length of the piping in a single cooling system must not exceed 100 m (sizes 80M-180T) / 120 m (sizes 200T-260T) / 250 m (sizes 400T-450T).
- Requirement 2:** the maximum length of the piping between the outdoor unit and the farthest indoor unit must not exceed 45 m (sizes 80M-105M) / 60 m (sizes 120M/T-260T) / 100 m (sizes 400T-450T) actual length and 50 m (sizes 80M-105M) / 70 m (sizes 120M/T-260T) / 120 m (sizes 400T-450T) equivalent length (the equivalent length of each Y-shaped branch is equal to 0.5 m).
- Requirement 3:** the maximum length of the piping after the first Y-shaped branch and towards the farthest indoor unit must not exceed 20 m (sizes 80M-260T) / 40 m (sizes 400T-450T) in length.
- Requirement 4:** the greatest height difference between the indoor and outdoor units must not exceed 30 m (if the outdoor unit is above) or 20 m (if the outdoor unit is below).
- Requirement 5:** the greatest height difference between the indoor units must not exceed 8 m.

Figure 4.2: allowed lengths and height differences for refrigerant piping



| Legend                             |                        |
|------------------------------------|------------------------|
| L <sub>1</sub>                     | Main pipe              |
| Da L <sub>2</sub> a L <sub>5</sub> | Indoor main pipes      |
| Da a a f                           | Indoor auxiliary pipes |
| Da A a E                           | Indoor branch joints   |

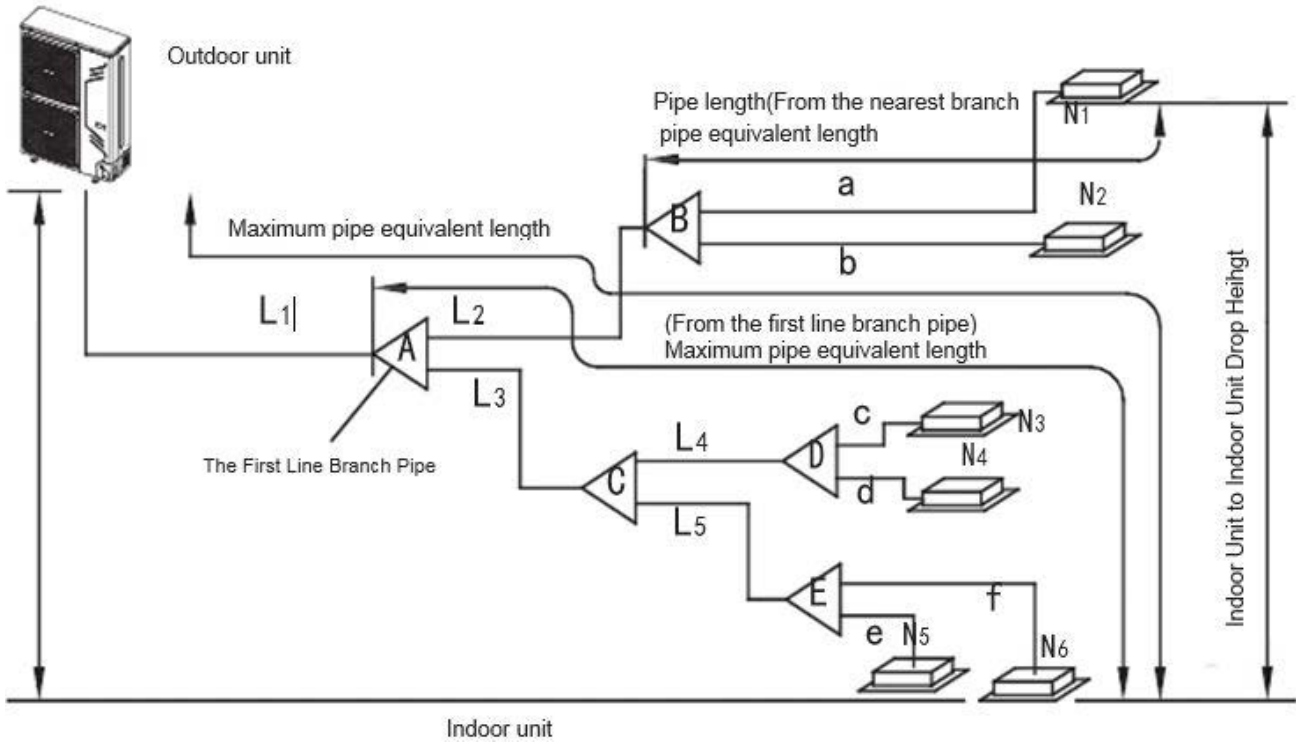
Table 4.3: summary of allowed lengths and height differences for refrigerant piping

| Piping lengths   |                    | 80M-105M | 120M/T-180T | 200T-260T | 400T-450T |
|--|--------------------|----------|-------------|-----------|-----------|
| Total length of pipes (Effective)                              |                    | 100m     | 100m        | 120m      | 250m      |
| Max piping length  | Effective          | 45m      | 60m         | 60m       | 100m      |
|  | Equivalent         | 50m      | 70m         | 70m       | 120m      |
| From the first Y-joint to the furthest indoor unit             |                    | 20m      | 20m         | 20m       | 40m       |
| From the indoor unit to the nearest Y-joint                    |                    | 15m      | 15m         | 15m       | 15m       |
| Maximum height difference between outdoor unit and indoor unit | Outdoor unit above | 30m      | 30m         | 30m       | 30m       |
|  | Outdoor unit below | 20m      | 20m         | 20m       | 20m       |
| Difference between internal units                              |                    | 8m       | 8m          | 8m        | 8m        |

### 3.4 Selecting piping diameters

Tables 4.4 to 4.6 below, specify the required pipe diameters for the indoor and outdoor piping. The main pipe ( $L_1$ ) and first indoor branch joint (A) should be sized according to whichever of Tables 4.4 and 4.5 indicates the larger size.

Figure 4.3: Selecting piping diameters



| Legend           |                        |
|------------------|------------------------|
| $L_1$            | Main pipe              |
| Da $L_2$ a $L_5$ | Indoor main pipes      |
| Da a a f         | Indoor auxiliary pipes |
| Da A a E         | Indoor branch joints   |

Table 4.4: Main pipe<sup>1</sup> ( $L_1$ ), indoor main pipes ( $L_2$  to  $L_5$ ) and indoor branch joint kits

| Total capacity of indoor units [kW] | Gas pipe [mm] | Liquid pipe [mm] | Branch joint kit |
|-------------------------------------|---------------|------------------|------------------|
| Capacity < 16,6                     | Ø15,9         | Ø9,53            | FQZHN-01D        |
| 16,6 ≤ Capacity < 23                | Ø19,1         | Ø9,53            | FQZHN-01D        |
| 23 ≤ Capacity < 33                  | Ø22,2         | Ø9,53            | FQZHN-02D        |
| 33 ≤ Capacity < 46                  | Ø25,4         | Ø12,7            | FQZHN-02D        |
| 46 ≤ Capacity < 66                  | Ø25,4         | Ø12,7            | FQZHN-02D        |

Notes:

1. The main pipe ( $L_1$ ) and first indoor branch joint (A) should be sized according to whichever of Tables 4.4 and 4.5 indicates the larger size.

Tabella 4.5: tubo principale<sup>1</sup> (L,) e primo giunto a Y interno (A)

| Total capacity of outdoor units [kW] | Equivalent length of all liquid pipes < 90m |                  |                  | Equivalent length of all liquid pipes ≥ 90m |                  |                  |
|--------------------------------------|---|------------------|------------------|---|------------------|------------------|
|                                      | Gas pipe [mm]                               | Liquid pipe [mm] | Branch joint kit | Gas pipe [mm]                               | Liquid pipe [mm] | Branch joint kit |
| A < 16,0                             | Ø15,9                                       | Ø9,53            | FQZHN-01D        | Ø19,1                                       | Ø9,53            | FQZHN-01D        |
| 16,0 ≤ A < 23,0                      | Ø19,1                                       | Ø9,53            | FQZHN-01D        | Ø22,2                                       | Ø9,53            | FQZHN-02D        |
| 23,0 ≤ A < 33,0                      | Ø22,2                                       | Ø9,53            | FQZHN-02D        | Ø25,4                                       | Ø9,53            | FQZHN-02D        |
| 33,5 - 40,0                          | Ø22,2                                       | Ø12,7            | FQZHN-02D        | Ø25,4                                       | Ø12,7            | FQZHN-02D        |
| 45,0                                 | Ø25,4                                       | Ø12,7            | FQZHN-02D        | Ø28,6                                       | Ø12,7            | FQZHN-03D        |

**Notes:**

1. The main pipe (L,) and first indoor branch joint (A) should be sized according to whichever of Tables 4.4 and 4.5 indicates the larger size.

Table 4.6: auxiliary indoor pipes (from a to f)

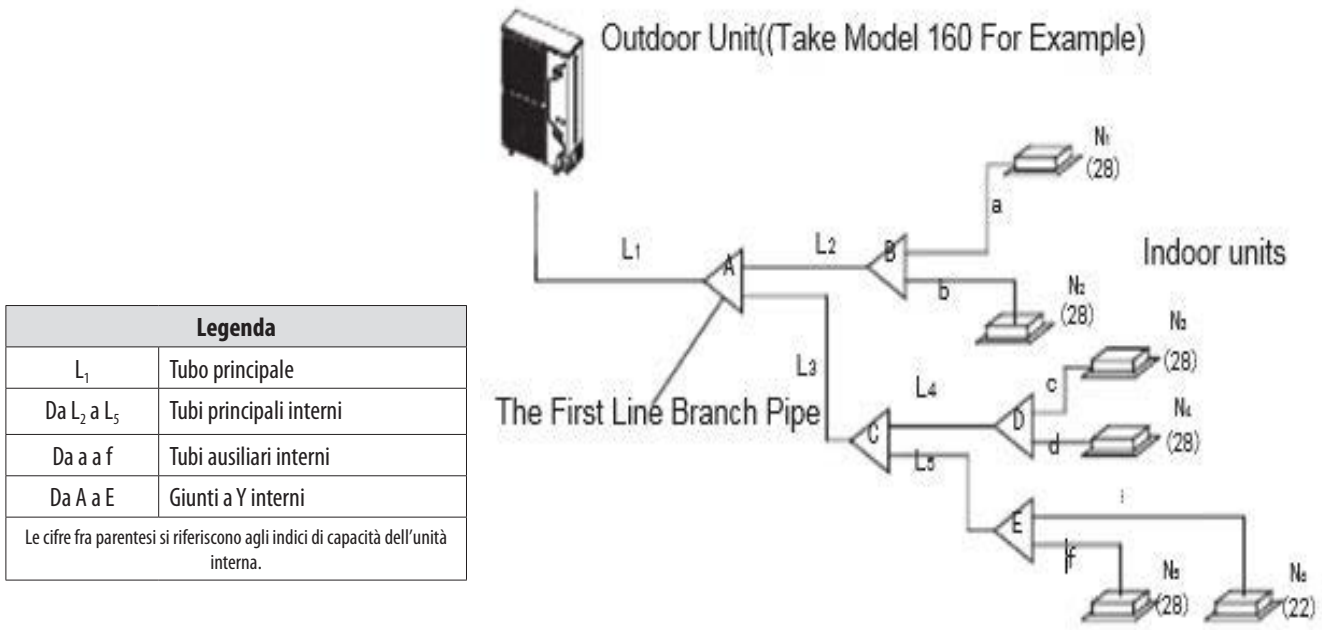
| Internal unit capacity [kW] | Gas pipe [mm] | Liquid pipe [mm] |
|-----------------------------|---------------|------------------|
| ≤ 4,5                       | Ø12,7         | Ø6,35            |
| ≥ 5,6                       | Ø15,9         | Ø9,53            |

1. An auxiliary indoor pipe must not have a diameter exceeding that of the main indoor pipe directly upstream of it. For auxiliary indoor pipes longer than 10 m with indoor units having a capacity greater than or equal to 5.6 kW, the pipes of the gas side and of the liquid side must either have the same size as that specific in the above table or have the same size as the main indoor pipe immediately upstream, considering the smaller size between the two.

### 4.5 Refrigerant piping selection example

The following example illustrates the procedure for choosing the piping of a system comprising size-160 outdoor units and 6 indoor units. The total equivalent length of the system's piping exceeds 90 m.

Figure 4.4: Refrigerant piping selection example



#### Phase 1: choose the auxiliary indoor pipes

- All indoor units have a capacity below 4.5 kW. According to Table 4.6 the auxiliary pipes from a to f measure  $\Phi 12.7 / \Phi 6.35$ .

#### Phase 2: choose the main indoor pipes and the internal branches from B to E

- The indoor units downstream of the main pipe L2 are N1, N2, while the total power index is given by  $28 \times 2 = 56$ . Refer to Table 4.4. The diameter of pipe L2 is  $\Phi 15.9 / \Phi 9.53$  and the branch pipe B should be of the FQZHN-01D type.
- The indoor units downstream of the main pipe L4 are N3, N4, while the total power index is given by  $28 \times 2 = 56$ . Refer to Table 4.4. The diameter of pipe L4 is  $\Phi 15.9 / \Phi 9.53$  and the branch pipe D should be of the FQZHN-01D type.
- The other main indoor pipes and the Y-shaped indoor branches C and E are chosen in the same way.

#### Phase 3: choose the main pipe and the Y-shaped indoor branch A

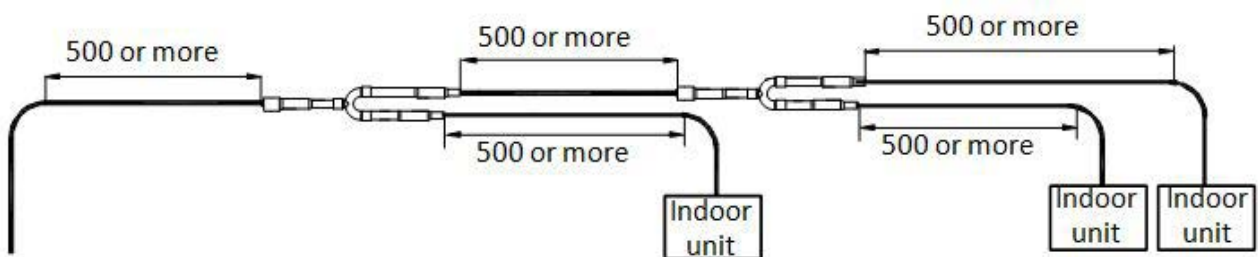
- The indoor units (from N1 to N6) downstream of the Y-shaped indoor branch A have a total capacity equal to  $28 \times 5 + 22 = 162$ . The total equivalent length of the system's piping exceeds 90 m. The total capacity of the outdoor unit is equal to 160. Refer to Tables 4.4 and 4.5. The main pipe L1 is wider  $\Phi 15.9 / \Phi 9.53$  as per Table 4.4 and  $\Phi 22.2 / \Phi 9.53$  as per Table 4.5, thus it measures  $\Phi 22.2 / \Phi 9.53$ . The Y-shaped indoor branch A is FQZHN-02D.

### 3.6 Branch Joints

Branch joint design should take account of the following:

- U-shaped branch joints should be used – tee joints are not suitable.
- To ensure even distribution of refrigerant, branch joints should not be installed within 500mm of a 90° bend, another branch joint or the straight section of piping leading to an indoor unit, with the minimum 500mm being measured from the point where the branch joint is connected to the piping, as shown in Figure 4.5.

Figure 4.5: Branch joint spacing and separation from bends [mm]



### 3.7 Branch Box

If the Branch Box is installed, refer to the precautions specified in the documentation accompanying the component and to that specified in this manual under the relevant section.



### 3.8 Refrigerant leakage precautions

R410A refrigerant is not flammable in air at temperatures up to 100°C at atmospheric pressure and is generally considered a safe substance to use in air conditioning systems. Nevertheless, precautions should be taken to avoid danger to life in the unlikely event of a major refrigerant leakage. Precautions should be taken in accordance with all applicable legislation. Where no applicable legislation exists, the following may be used as a guide:

- Air conditioned rooms should be large enough that if leakage of all the refrigerant in the system occurs, the concentration of the refrigerant in the room does not reach a level dangerous to health.
- A critical concentration (at which point R410A becomes dangerous to human health) of 0.3 kg/m<sup>3</sup> can be used.
- The potential concentration of refrigerant in a room following a leak can be calculated as follows:
  - Calculate the total amount in of refrigerant in the system ("A") as the nameplate charge (the charge in the system when delivered from the factory) plus the additional charge added as per Chapter 8.1 "Calculating Additional Refrigerant Charge".
  - Calculate the total volume ("B") of the smallest room into which refrigerant could potentially leak.
  - Calculate the potential refrigerant concentration as A divided by B.
  - If A/B is not less than 0.3 kg/m<sup>3</sup>, countermeasures such installing mechanical ventilators (either ventilating regularly or controlled by refrigerant leakage detectors) should be taken.
- Since R410A is heavier than air, particular consideration should be given to leak scenarios in basement rooms.

Figure 4.6: Potential refrigerant leak scenario

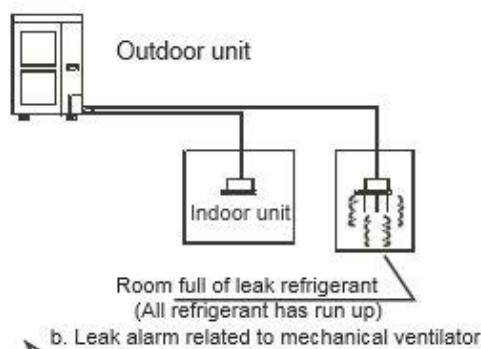
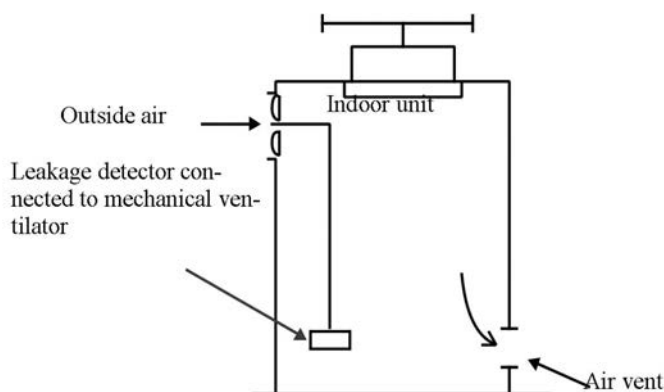


Figure 4.7: Mechanical ventilator controlled by refrigerant leak detector



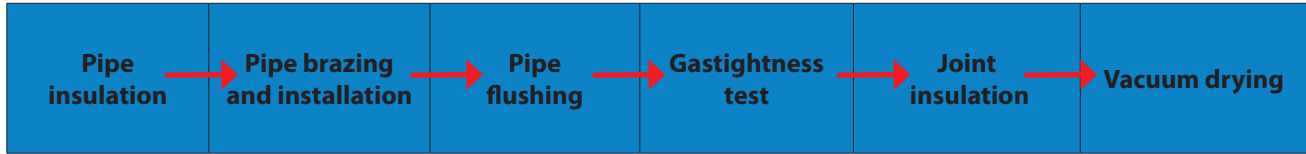
## 4 - Refrigerant piping installation

### 4.1 Procedure and principles

#### 4.1.1 Installation procedure

##### Notes for installers

Installation of the refrigerant piping system should proceed in the following order:



Note: Pipe flushing should be performed once the brazed connections have been completed with the exception of the final connections to the indoor units. That is, flushing should be performed once the outdoor units have been connected but before the indoor units are connected.

#### 5.1.2 Three principles for refrigerant piping

|        | Reasons   | Measures  |
|--------|---|---|
| CLEAN  | Particles such as oxide produced during brazing and/or building dust can lead to compressor malfunction                     | <ul style="list-style-type: none"> <li>Seal piping during storage<sup>1</sup></li> <li>Flow nitrogen during brazing<sup>2</sup></li> <li>Pipe flushing<sup>3</sup></li> </ul> |
| DRY    | Moisture can lead to ice formation or oxidization of internal components leading to abnormal operation or compressor damage | <ul style="list-style-type: none"> <li>Pipe flushing<sup>3</sup></li> <li>Vacuum drying<sup>4</sup></li> </ul>  |
| SEALED | Imperfect seals can lead to refrigerant leakage   | <ul style="list-style-type: none"> <li>Pipe manipulation<sup>5</sup> and brazing<sup>2</sup> techniques</li> <li>Gastightness test<sup>6</sup></li> </ul>                     |

##### Notes:

- See paragraph 5.2.1 "Pipe delivery, storage and sealing".
- See paragraph 5.5 "Brazing".
- See paragraph 5.8 "Pipe Flushing".
- See paragraph 5.10 "Vacuum Drying".
- See paragraph 5.3 "Manipulating Copper Piping".
- See paragraph 5.9 "Gastightness Test".

## 4.2 Storing copper piping

### 4.2.1 Pipe delivery, storage and sealing

#### Notes for installers

- Ensure that piping does not get bent or deformed during delivery or whilst stored.
- On construction sites store piping in a designated location.
- To prevent dust or moisture entering, piping should be kept sealed whilst in storage and until it is about to be connected. If piping is to be used soon, seal the openings with plugs or adhesive tape. If piping is to be stored for a long time, charge the piping with nitrogen at 0,2-0,5MPa and seal the openings by brazing.
- Storing piping directly on the ground risks dust or water ingress. Wooden supports can be used to raise piping off the ground.
- During installation, ensure that piping to be inserted through a hole in a wall is sealed to ensure dust and/or fragments of wall do not enter.
- Be sure to seal piping being installed outdoors (especially if being installed vertically) to prevent rain entering.

## 4.3 Manipulating copper piping

### 4.3.1 De-oiling

#### Notes for installers

- Lubrication oil used during some copper pipe manufacturing processes can cause deposits to form in R410A refrigerant systems, causing system errors. Oil-free copper piping should therefore be selected. If ordinary (oily) copper piping is used, it must be cleaned with gauze dipped in tetrachloroethylene solution prior to installation.

#### Caution

- Never use carbon tetrachloride (CCl<sub>4</sub>) for pipe cleansing or flushing, as doing so will seriously damage the system.

### 4.3.2 Cutting copper piping and removing burrs

#### Notes for installers

- Use a pipe cutter rather than a saw or cutting machine to cut piping. Rotate the piping evenly and slowly, applying even force to ensure that the piping does not become deformed during cutting. Using a saw or cutting machine to cut piping runs the risk of copper shavings entering the piping. Copper shavings are difficult to remove and pose a serious risk to the system if they enter the compressor or block the throttling unit.
- After cutting using a pipe cutter, use a reamer/scrapper to remove any burrs that have formed at the opening, keeping the opening of the piping downwards to avoid copper shavings from entering the piping.
- Remove burrs carefully to avoid scratches, which may prevent a proper seal being formed and lead to refrigerant leakage.

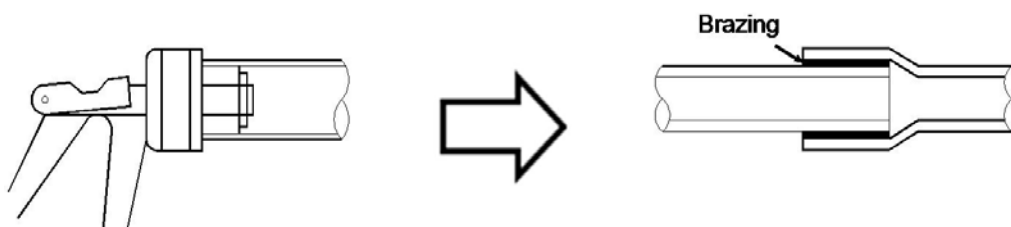
### 4.3.3 Expanding copper piping ends

#### Notes for installers

- Ends of copper piping can be expanded so that another length of piping can be inserted and the joint brazed.
- Insert the expanding head of the pipe expander into the pipe. After completing pipe expansion, rotate the copper pipe a few degrees to rectify the straight line mark left by the expanding head.

#### Caution

- Ensure that the expanded section of piping is smooth and even. Remove any burrs that remain after cutting





### 4.3.4 Flared joints

Flared joints should be used where a screw thread connection is required.

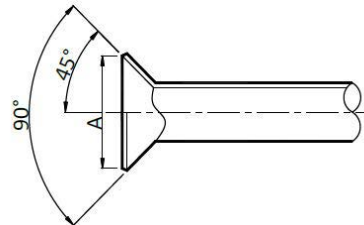
#### Notes for installers

- Before flaring 1/2H (half hard) piping, anneal the end of the pipe to be flared.
- Remember to place the flare nut on the piping before flaring.
- Ensure the flared opening is not cracked, deformed or scratched, otherwise it will not form a good seal and refrigerant leakage may occur.
- The diameter of the flared opening should be within the ranges specified in Table 5.1. Refer to Figure 5.2.

Table 5.1: Flared opening size ranges

| Pipe [mm] | Flared opening diameter (A) [mm] |
|-----------|----------------------------------|
| Ø6,35     | 8,7 - 9,1                        |
| Ø9,53     | 12,8 - 13,2                      |
| Ø12,7     | 16,2 - 16,6                      |
| Ø15,9     | 19,3 - 19,7                      |
| Ø19,1     | 23,6 - 24,0                      |

Figure 5.2: Flared opening



- When connecting a flared joint, apply some compressor oil to the inner and outer surfaces of the flared opening to facilitate the connection and rotation of the flare nut, ensure firm connection between the sealing surface and the bearing surface, and avoid the pipe becoming deformed.

### 4.3.5 Bending piping

Bending copper piping reduces the number of brazed joints required and can improve quality and save material.

#### Notes for installers

##### Piping bending methods

- Hand bending is suitable for thin copper piping (Ø6,35mm - Ø12,7mm).
- Mechanical bending (using a bending spring, manual bending machine or powered bending machine) is suitable for a wide range of diameters (Ø6,35mm - Ø54,0mm).

#### Caution

- When using a spring bender, ensure that the bender is clean before inserting it in the piping.
- After bending a copper pipe, ensure that there are no wrinkles or deformation on either side of the pipe.
- Ensure that bend angles do not exceed 90°, otherwise wrinkles may appear on the inner side of the pipe, and the pipe may buckle or crack. Refer to Figure 5.3.
- Do not use a pipe that has buckled during the bending process; ensure that the cross section at the bend is greater than 2/3 of the original area.

Figure 5.3: Pipe bending in excess of 90°



## 4.4 Refrigerant piping supports

When the air conditioning is running, the refrigerant piping will deform (shrink, expand, droop). To avoid damage to piping, hangers or supports should be spaced as per the criteria in the Table 5.2. In general, the gas and liquid pipes should be suspended in parallel and the interval between support points should be selected according to the diameter of the gas pipe.

Suitable insulation should be provided between the piping and the supports. If wooden dowels or blocks are to be used, use wood that has undergone preservative treatment.

Changes in refrigerant flow direction and refrigerant temperature result in movement, expansion and shrinkage of the refrigerant piping. Piping should therefore not be fixed too tightly, otherwise stress concentrations may occur in the piping, with the potential for rupturing.

Table 5.2: Refrigerant piping support spacings

| Pipe [mm] | Interval between support points [m] |                 |
|-----------|-------------------------------------|-----------------|
|           | Horizontal Piping                   | Vertical Piping |
| < Ø20     | 1                                   | 1,5             |
| Ø20 – Ø40 | 1,5                                 | 2               |
| > Ø40     | 2                                   | 2,5             |

## 4.5 Brazing

Care must be taken to prevent oxide forming on the inside of copper piping during brazing. The presence of oxide in a refrigerant system adversely affects the operation of valves and compressors, potentially leading to low efficiency or even compressor failure. To prevent oxidation, during brazing nitrogen should be flowed through the refrigerant piping.

### Notes for installers

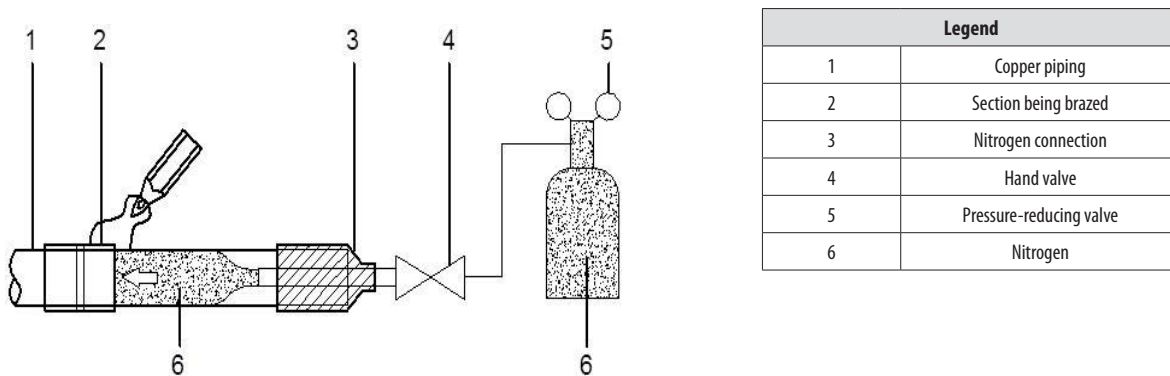
#### Warning

- Never flow oxygen through piping as doing so aids oxidation and could easily lead to explosion and as such is extremely dangerous.
- Take appropriate safety precautions such as having a fire extinguisher to hand whilst brazing.

#### Flowing nitrogen during brazing

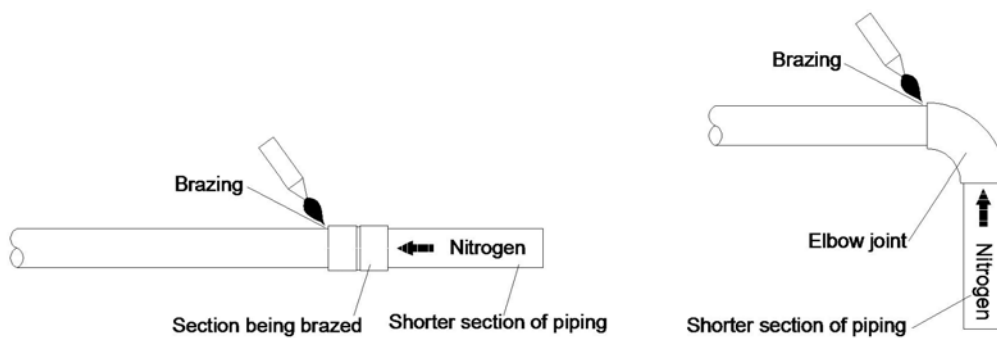
- Use a pressure reducing valve to flow nitrogen through copper piping at 0,02-0,03MPa during brazing.
- Start the flow before brazing starts and ensure that the nitrogen continuously passes through the section being brazed until the brazing is complete and the copper has cooled down completely.

Figure 5.4: Flowing nitrogen through piping during brazing



- When joining a shorter section of piping to a longer section, flow nitrogen from the shorter side to allow better displacement of air with nitrogen.
- If the distance from the point where nitrogen enters the piping to the joint to be brazed is long, ensure that the nitrogen is flowed for sufficient time to discharge all the air from the section to be brazed before commencing brazing.

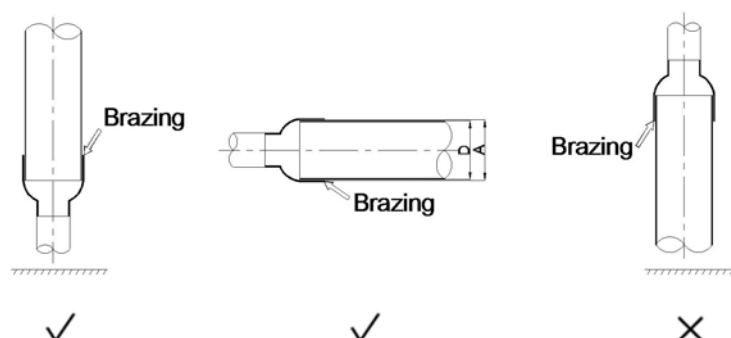
Figure 5.5: Flowing nitrogen from shorter side during brazing



#### Piping orientation during brazing

Brazing should be conducted downwards or horizontally to avoid filler leakage.

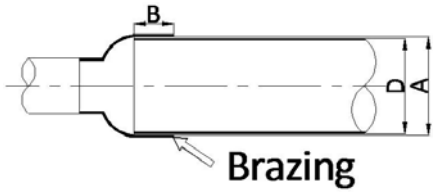
Figure 5.6: Piping orientation during brazing



### Piping overlap during brazing

Table 5.3 specifies the minimum permissible piping overlap and the range of permissible gap sizes for brazed joints on piping of different diameters. Refer also to Figure 5.7.

Figure 5.7: Piping overlap and gap for brazed joints



| Legend |                                |
|--------|--------------------------------|
| A      | Inner diameter of larger pipe  |
| D      | Outer diameter of smaller pipe |
| B      | Inlaid depth (overlap)         |

Table 5.3: Piping overlap and gap for brazed joints,

| D [mm]      | Minimum permissible B [mm] | Permissible A – D [mm] |
|-------------|----------------------------|------------------------|
| 5 < D < 8   | 6                          | 0,05 - 0,21            |
| 8 < D < 12  | 7                          |                        |
| 12 < D < 16 | 8                          | 0,05 - 0,27            |
| 16 < D < 25 | 10                         |                        |
| 25 < D < 35 | 12                         | 0,05 - 0,35            |
| 35 < D < 45 | 14                         |                        |

Notes: A, B, D refer to the dimensions shown in Figure 5.7.

#### Filler

- Use a copper/phosphorus brazing alloy (BCuP) filler that does not require flux.
- Do not use flux. Flux can cause corrosion of piping and can affect the performance of compressor oil.
- Do not use anti-oxidants when brazing. Residue can clog piping and damage components.

## 4.6 Pipe flushing

### 4.6.1 Purpose

To remove dust, other particles and moisture, which could cause compressor malfunction if not flushed out before the system is run, the refrigerant piping should be flushed using nitrogen. As described in paragraph 5.1.1 "Installation procedure", pipe flushing should be performed once the piping connections have been completed with the exception of the final connections to the indoor units. That is, flushing should be performed once the outdoor units have been connected but before the indoor units are connected.

## 4.6.2 Procedure

### Notes for installers

#### Warning

Only use nitrogen for flushing. Using carbon dioxide risks leaving condensation in the piping. Oxygen, air, refrigerant, flammable gases and toxic gases must not be used for flushing. Use of such gases may result in fire or explosion.

#### Procedure

The liquid and gas sides can be flushed simultaneously; alternatively, one side can be flushed first and then Steps 1 to 8 repeated, for the other side. The flushing procedure is as follows:

1. Cover the inlets and outlets of the indoor units to prevent dirt getting blown in during pipe flushing. (Pipe flushing should be carried out before connecting the indoor units to the piping system.)
2. Attach a pressure reducing valve to a nitrogen cylinder.
3. Connect the pressure reducing valve outlet to the inlet on the liquid (or gas) side of the outdoor unit.
4. Use blind plugs to block all liquid (gas) side openings, except for the opening at the indoor unit which is furthest from the outdoor units ("Indoor unit A" in Figure 5.11).
5. Start to open the nitrogen cylinder valve and gradually increase the pressure to 0,5MPa.
6. Allow time for nitrogen to flow as far as the opening at indoor unit A.
7. Flush the first opening:
  - a) Using suitable material, such as a bag or cloth, press firmly against the opening at indoor unit A.
  - b) When the pressure becomes too high to block with your hand, suddenly remove your hand allowing gas to rush out.
  - c) Repeatedly flush in this manner until no further dirt or moisture is emitted from the piping. Use a clean cloth to check for dirt or moisture being emitted. Seal the opening once it has been flushed.
8. Flush the other openings in the same manner, working in sequence from indoor unit A towards the outdoor units. Refer to Figure 5.12.
9. Once flushing is complete, seal all openings to prevent dust and moisture from entering.

Figure 5.11: Pipe flushing using nitrogen

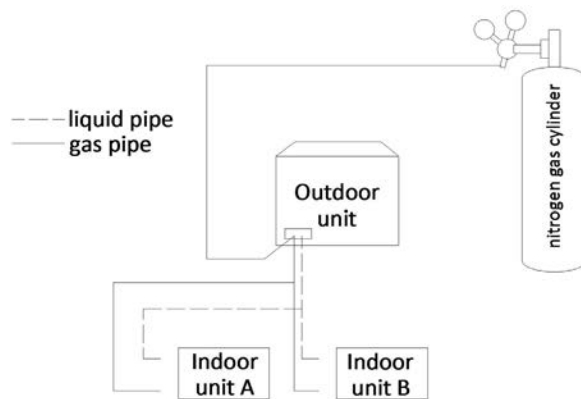
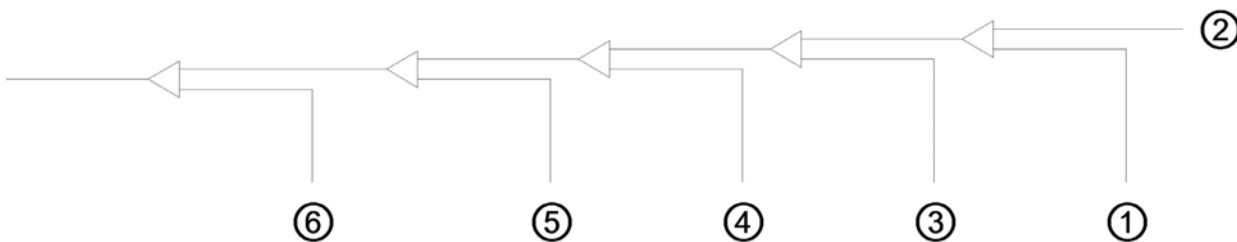


Figure 5.12: Pipe flushing sequence1



#### Notes:

1-2-3-4-5-6 working towards the outdoor units.

## 4.7 Gastightness test

### 4.7.1 Purpose

To prevent faults caused by refrigerant leakage, a gastightness test should be performed before system commissioning.

### 4.7.2 Procedure

#### Notes for installers

##### Warning

Only dry nitrogen should be used for gastightness testing. Oxygen, air, flammable gases and toxic gases must not be used for gastightness testing. Use of such gases may result in fire or explosion.

#### Procedure

The gastightness test procedure is as follows:

##### Step 1

- Once the piping system is complete and the indoor and outdoor units have been connected, vacuum the piping to -0,1MPa.

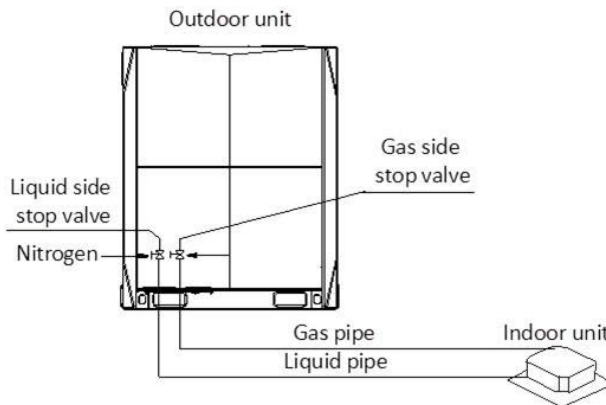
##### Step 2

- Charge the piping with nitrogen at 4MPa and leave for at least 24 hours.
- After the test period of at least 24 hours, observe the pressure in the piping and assess whether or not the observed pressure indicates the presence of a leak. Allow for any change in ambient temperature over the test period by adjusting the reference pressure by 0,01MPa per 1°C of temperature difference. Adjusted reference pressure = Pressure at pressurization + (temperature at observation – temperature at pressurization) x 0,01MPa. Compare the observed pressure with the adjusted reference pressure. If they are the same, the piping has passed the gastightness test.
- If the observed pressure is lower than the adjusted reference pressure, the piping has failed the test. Refer to paragraph 5.9.3 “Leak detection”. Once the leak has been found and fixed, the gastightness test should be repeated.

##### Step 3

- If not continuing straight to vacuum drying (see Chapter 5.10 “Vacuum Drying”) once the gastightness test is complete, reduce the system pressure to 0,5-0,8MPa and leave the system pressurized until ready to carry out the vacuum drying procedure.

Figure 5.13: Gastightness test



### 4.7.3 Leak detection

#### Notes for installers

The general methods for identifying the source of a leak are as follows:

1. Audio detection: relatively large leaks are audible.
2. Touch detection: place your hand at joints to feel for escaping gas.
3. Soapy water detection: small leaks can be detected by the formation of bubbles when soapy water is applied to a joint.
4. Refrigerant leak detection: for leaks that are difficult to detect, refrigerant leak detection may be used as follows:
  - a) Pressurize the piping with nitrogen at 0,3MPa.
  - b) Add refrigerant into the piping until the pressure reaches 0,5MPa.
  - c) Use a halogen refrigerant detector to find the leak.
  - d) If the leak source cannot be found, continuing charging with refrigerant to a pressure of 4MPa and then search again.

## 4.8 Vacuum drying

### 4.8.1 Purpose

Vacuum drying should be performed in order to remove moisture and non-condensable gases from the system. Removing moisture prevents ice formation and oxidization of copper piping or other internal components. The presence of ice particles in the system would cause abnormal operation, whilst particles of oxidized copper can cause compressor damage. The presence of non-condensable gases in the system would lead to pressure fluctuations and poor heat exchange performance.

Vacuum drying also provides additional leak detection (in addition to the gastightness test).

### 4.8.2 Procedure

#### Notes for installers

During vacuum drying, a vacuum pump is used to lower the pressure in the piping to the extent that any moisture present evaporates. At 5mmHg (755mmHg below typical atmospheric pressure) the boiling point of water is 0°C. Therefore a vacuum pump capable of maintaining a pressure of -756mmHg or lower should be used. Using a vacuum pump with a discharge in excess of 4L/s and a precision level of 0,02mmHg is recommended.

#### Caution

- Before performing vacuum drying, make sure that all the outdoor unit stop valves are firmly closed.
- Once the vacuum drying is complete and the vacuum pump is stopped, the low pressure in the piping could suck vacuum pump lubricant into the air conditioning system. The same could happen if the vacuum pump stops unexpectedly during the vacuum drying procedure. Mixing of pump lubricant with compressor oil could cause compressor malfunction and a one-way valve should therefore be used to prevent vacuum pump lubricant seeping into the piping system.

#### Procedure

The vacuum drying procedure is as follows:

##### Step 1

- Connect the blue (low pressure side) hose of a pressure gauge to the master unit gas pipe stop valve, the red (high pressure side) hose to the master unit liquid pipe stop valve and the yellow hose to the vacuum pump.

##### Step 2

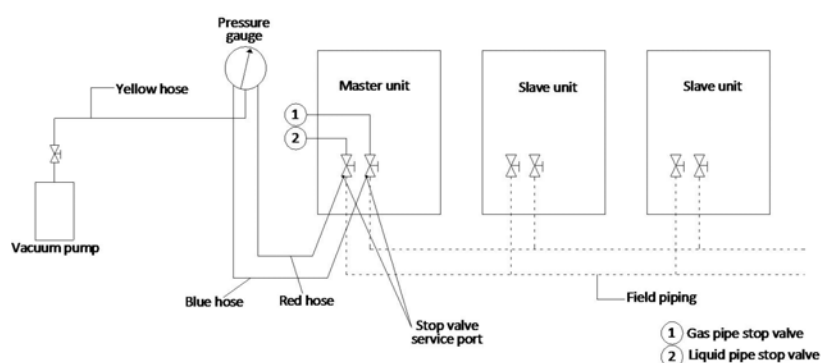
- Start the vacuum pump and then open the pressure gauge valves to start vacuum the system.
- After 30 minutes, close the pressure gauge valves.
- After a further 5 to 10 minutes check the pressure gauge. If the gauge has returned to zero, check for leakages in the refrigerant piping.

##### Step 3

- Re-open the pressure gauge valves and continue vacuum drying for at least 2 hours and until a pressure difference of 756mmHg or more has been achieved. Once the pressure difference of at least 756mmHg has been achieved, continue vacuum drying for 2 hours.

##### Step 4

- Close the pressure gauge valves and then stop the vacuum pump.
- After 1 hour, check the pressure gauge. If the pressure in the piping has not increased, the procedure is finished. If the pressure has increased, check for leakages.
- After vacuum drying, **keep the blue and red hoses connected to the pressure gauge and to the master unit stop valves**, in preparation for refrigerant charging (see Chapter 8 "Charging Refrigerant").



Pressure gauge

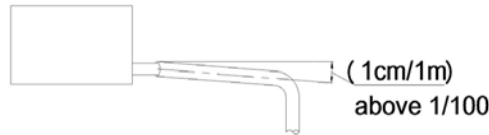
## 5 - Drain piping

### 5.1 Design considerations

Drain piping design should take account of the following considerations:

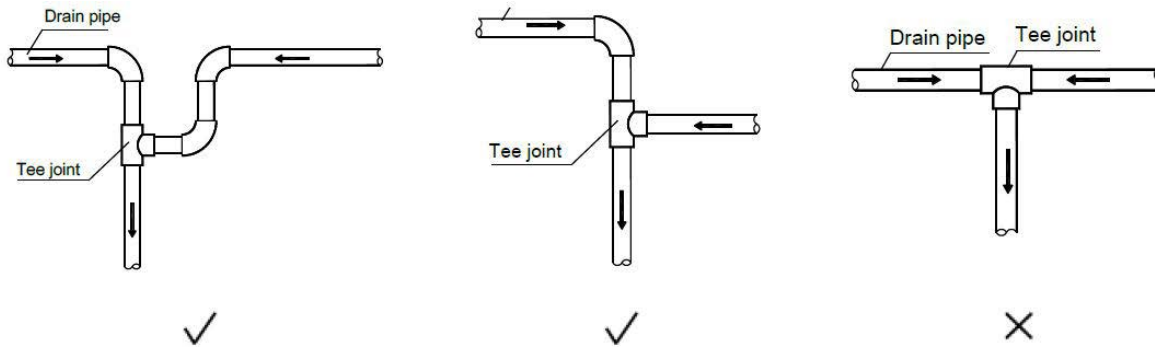
- Indoor unit condensate drain piping needs to be of sufficient diameter to carry the volume of condensate produced at the indoor units and installed at a slope sufficient to allow drainage. Discharge as close as possible to the indoor units is usually preferable.
- To prevent the drain piping becoming excessively long, consideration should be given to installing multiple drain piping systems, with each system having its own drainage point and providing drainage for a subset of the overall set of indoor units.
- The routing of drain piping should take into consideration the need to maintain sufficient slope for drainage whilst avoiding obstacles such as beams and ducting. The drain piping slope should be at least 1:100 away from indoor units. Refer to Figure 6.1.

Figure 6.1: Drain piping minimum slope requirement



- To avoid backflow and other potential complications, two horizontal drain pipes should not meet at the same level. Refer to the Figure 6.2 for suitable connection arrangements. Such arrangements also allow the slope of the two horizontal pipes to be selected independently.

Figure 6.2: Drain piping joints – correct and incorrect configurations



- Branch drain piping should join main drain piping from the top, as shown in Figure 6.3.
- Recommended support/hanger spacing is 0,8 – 1,0m for horizontal piping and 1,5 – 2,0m for vertical piping. Each vertical section should be fitted with at least two supports. For horizontal piping, spacings greater than those recommended leads to sagging and deformation of the pipe profile at the supports which impedes water flow and should therefore be avoided.
- Air vents should be fitted at the highest point of each drain piping system to ensure that condensation is discharged smoothly. U-bends or elbow joints should be used such that the vents face downwards, to prevent dust entering the piping. Refer to Figure 6.5. Air vents should not be installed too close to indoor unit lift pumps.

Figure 6.5: Drain piping air vents

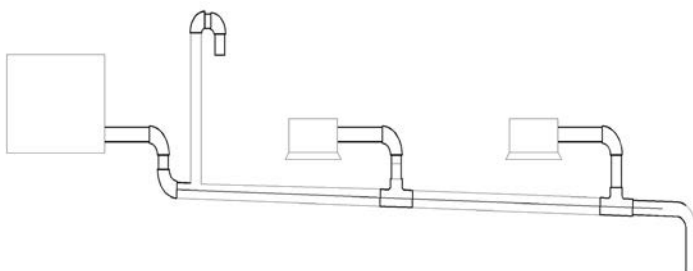


Figure 6.3: Branch drain piping joining main drain piping

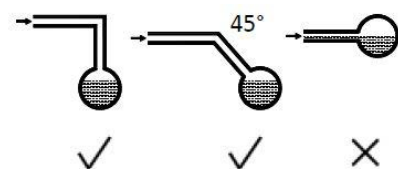
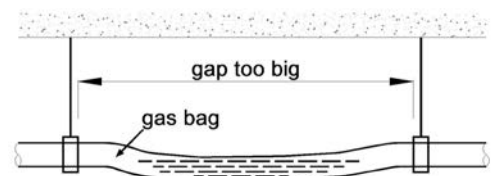


Figure 6.4: Effect of insufficient drain piping support

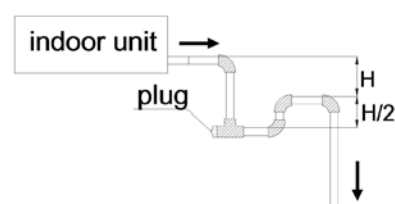


- Air conditioner drain piping should be installed separately from waste, rainwater and other drain piping and should not come into direct contact with the ground.
- Drain piping diameter should be not less than the indoor units' drain piping connection.
- To allow inspection and maintenance, the piping clamps shipped with units should be used to attach drain piping to indoor units – adhesive should not be used.
- Thermal insulation should be added to drain piping to prevent condensation forming. Thermal insulation should extend all the way to the connection with the indoor unit.
- Units with drain pumps should have separate drain piping systems from systems that use natural drainage.

## 5.2 Water traps

For indoor units with a high negative pressure differential at the outlet of the drainage pan, a trap should be fitted to the drain piping to prevent poor drainage and/or water being blown back into the drainage pan. Traps should be arranged as in Figure 6.6. The vertical separation H should be in excess of 50mm. A plug may be fitted to allow cleaning or inspection.

Figure 6.6: Drain piping water traps



## 5.3 Selecting piping diameters

Select branch drainage piping (the drain piping connection to each unit) diameters according to indoor unit flow volume and select main drainage piping diameters according to the combined flow volume of the upstream indoor units. Use a design assumption of 2 liters of condensate per horsepower per hour. For example, the combined flow volume of three 2HP units and two 1,5HP units would be calculated as follows:

$$\text{Combined flow volume} = 3 \times 2 \text{ L/HP/h} \times 2\text{HP} = 12 \text{ L/h} \\ + 2 \times 2 \text{ L/HP/h} \times 1,5\text{HP} = 6 \text{ L/h} \\ \text{Total} = 18 \text{ L/h}$$

Tables 6.1 and 6.2 specify the required piping diameters for horizontal and vertical branch piping and for main piping. Note that main piping should use PVC40 or larger.

Table 6.1: Horizontal drain piping diameters

| PVC piping | Nominal diameter [mm] | Capacity [L/h] |             | Remarks               |
|------------|-----------------------|----------------|-------------|-----------------------|
|            |                       | Slope 1:50     | Slope 1:100 |                       |
| PVC25      | 25                    | 39             | 27          | Branch piping only    |
| PVC32      | 32                    | 70             | 50          |                       |
| PVC40      | 40                    | 125            | 88          | Branch or main piping |
| PVC50      | 50                    | 247            | 175         |                       |
| PVC63      | 63                    | 473            | 334         |                       |

Table 6.2: Vertical drain piping diameters

| PVC piping | Nominal diameter [mm] | Capacity [L/h] | Remarks               |
|------------|-----------------------|----------------|-----------------------|
| PVC25      | 25                    | 220            | Branch piping only    |
| PVC32      | 32                    | 410            |                       |
| PVC40      | 40                    | 730            | Branch or main piping |
| PVC50      | 50                    | 1440           |                       |
| PVC63      | 63                    | 2760           |                       |
| PVC75      | 75                    | 5710           |                       |
| PVC90      | 90                    | 8280           |                       |

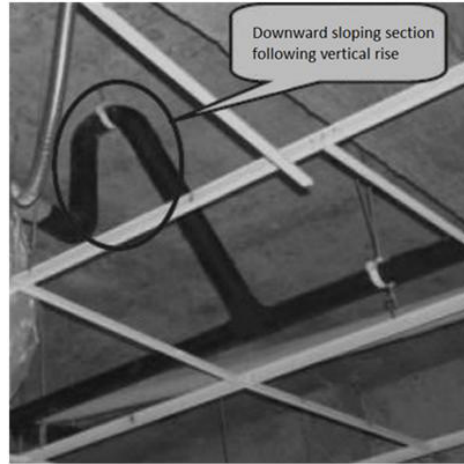


## 5.4 Drain piping for units with lift pumps

Drain piping for units with lift pumps should take account of the following additional considerations:

- A downward sloping section should immediately follow the vertically rising section adjacent to the unit, otherwise a water pump error will occur. Refer to Figure 6.7.
- Air vents should not be installed on vertically rising sections of drain piping, otherwise water may be discharged through the air vent or water flow may be impeded.

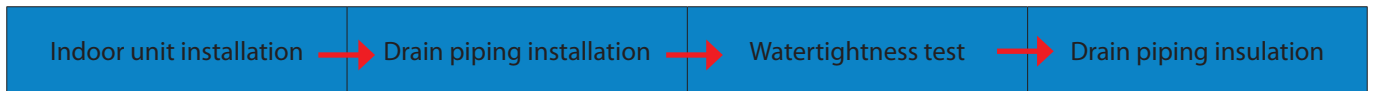
Figure 6.7: Downward sloping section of drain piping



## 5.5 Drain Piping Installation

### Notes for installers

Installation of the drain piping should proceed in the following order:



### Caution

- Ensure that all joints are firm and once the drain piping is all connected conduct a watertightness test and water flow test.
- Do not connect air conditioner drain piping to waste, rainwater or other drain piping and do not let air conditioner drain piping come into direct contact with the ground.
- For units with drain pumps, test that the drain pump functions properly by adding water to the unit's drainage pan and running the unit. To allow inspection and maintenance, the pipe clamps shipped with units should be used to attach drain piping to indoor units – adhesive should not be used.

## 5.6 Watertightness test and water flow test

Once installation of a drainage piping system is complete, watertightness and water flow tests should be performed.

### Notes for installers

#### Watertightness test

- Fill the piping with water and test for leakages over a 24-hour period.

#### Water flow test (natural drainage test)

- Slowly fill the drainage pan of each indoor unit with at least 600ml of water through the inspection port and check that the water is discharged through the outlet of the drain piping.

### Caution

- The drain plug in the drainage pan is for removing accumulated water prior to performing indoor unit maintenance. During normal operation, the drain should be plugged to prevent leakage.

## 6 - Insulation

### 6.1 Refrigerant piping insulation

#### 6.1.1 Purpose

During operation, the temperature of the refrigerant piping varies. Insulation is required to ensure unit performance and compressor lifespan. During cooling, the gas pipe temperature can be very low. Insulation prevents condensation forming on the piping. During heating, the gas pipe temperature can rise to as high as 100°C. Insulation serves as necessary protection from burns.

#### 6.1.2 Selecting insulation materials

Refrigerant piping insulation should be closed-cell foam of B1 fire resistance rating that can withstand a constant temperature of over 120°C and that complies with all applicable legislation.

#### 6.1.3 Thickness of insulation

Minimum thicknesses for refrigerant piping insulation are specified in Table 7.1. In hot, humid environments, the thickness of insulation should be increased over and above the specifications in Table 7.1.

Table 7.1: Refrigerant piping insulation thickness

| Pipe outer diameter [mm] | Minimum insulation thickness [mm] |
|--------------------------|-----------------------------------|
| Ø6,35                    | 15                                |
| Ø9,53                    |                                   |
| Ø12,7                    |                                   |
| Ø15,9                    | 20                                |
| Ø19,1                    |                                   |
| Ø22,2                    |                                   |
| Ø25,4                    |                                   |
| Ø28,6                    |                                   |
| Ø31,8                    |                                   |
| Ø38,1                    | 25                                |
| Ø41,3                    |                                   |
| Ø44,5                    |                                   |
| Ø54,0                    |                                   |

#### 6.1.4 Installation of piping insulation

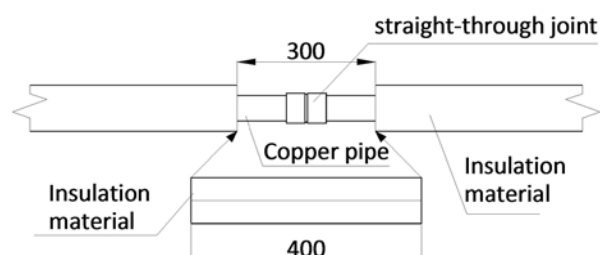
With the exception of joint insulation, insulation should be applied to piping before fixing the piping in place. Insulation at joints in refrigerant piping should be applied after the gastightness test has been completed.

#### 6.1.5 Installation of joint insulation

Insulation at joints in the refrigerant piping should be installed after the gastightness test has been successfully completed. The procedure at each joint is as follows:

1. Cut a section of insulation 50 to 100mm longer than the gap to be filled. Ensure that the cross-sectional and longitudinal openings are all cut evenly.
2. Embed the section into the gap ensuring that the ends abut tightly to the sections of insulation either side of the gap.
3. Glue the longitudinal cut and the joints with the sections of insulation either side of the gap.
4. Seal the seams with tape.

Figure 7.1: Installation of joint insulation [mm]



## 6.2 Drain piping insulation

- Use rubber/plastic insulating tube with a B1 fire resistance rating.
- The insulation should typically be in excess of 10mm thick.
- For drain piping installed inside a wall, insulation is not required.
- Use suitable adhesive to seal seams and joints in the insulation and then bind with cloth reinforced tape of width not less than 50mm. Ensure tape is fixed firmly to avoid condensation.
- Ensure the drain piping insulation adjacent to the indoor unit drainage water outlet is fixed to the unit itself using adhesive, to prevent condensation and dripping.

## 6.2 Ducting insulation

- Suitable insulation should be added to ducting in according with all applicable legislation.

# 7 - Charging refrigerant

## 7.1 Calculating additional refrigerant charge

The additional refrigerant charge required depends on the lengths and diameters of the outdoor and indoor liquid pipes. Table 8.1 shows the additional refrigerant charge required per meter of equivalent pipe length for different diameters of pipe. The total additional refrigerant charge is obtained by summing the additional charge requirements for each of the outdoor and indoor liquid pipes, as in the following formula, where  $L_1$  to  $L_8$  represent the equivalent lengths of the pipes of different diameters. Assume 0,5m for the equivalent pipe length of each branch joint.

$$\begin{aligned} \text{Additional refrigerant charge R (kg)} &= (L_1 @ \Phi 6,35) \times 0,022 \\ &+ (L_2 @ \Phi 9,53) \times 0,057 \\ &+ (L_3 @ \Phi 12,7) \times 0,110 \\ &+ (L_4 @ \Phi 15,9) \times 0,170 \\ &+ (L_5 @ \Phi 19,1) \times 0,260 \\ &+ (L_6 @ \Phi 22,2) \times 0,360 \end{aligned}$$

| Liquid side piping [mm] | Additional refrigerant charge per meter of equivalent length of piping [kg] |
|-------------------------|---|
| Φ6,35                   | 0,022   |
| Φ9,53                   | 0,057   |
| Φ12,7                   | 0,110   |
| Φ15,9                   | 0,170   |
| Φ19,1                   | 0,260   |
| Φ22,2                   | 0,360   |

## 7.2 Adding refrigerant

### Notes for installers

#### Caution

- Only charge refrigerant after performing a gastightness test and vacuum drying.
- Never charge more refrigerant than required as doing so can lead to liquid hammering.
- Only use refrigerant R410A - charging with an unsuitable substance may cause explosions or accidents.
- Use tools and equipment designed for use with R410A to ensure required pressure resistance and to prevent foreign materials from entering the system.
- Refrigerant must be treated in accordance with applicable legislation.
- Always use protective gloves and protect your eyes when charging refrigerant.
- Open refrigerant containers slowly.

#### Procedure

The procedure for adding refrigerant is as follows:

##### Step 1

- Calculate additional refrigerant charge R (kg) (see Chapter 8.1 “Calculating Additional Refrigerant Charge”)

##### Step 2

- Place a tank of R410A refrigerant on a weighing scale. Turn the tank upside down to ensure refrigerant is charged in a liquid state. (R410A is a blend of two different chemicals compounds. Charging gaseous R410A into the system could mean that the refrigerant charged is not of the correct composition).
- After vacuum drying (see Chapter 5.10 “Vacuum Drying”), the blue and red pressure gauge hoses should still be connected to the pressure gauge and to the master unit stop valves.
- Connect the yellow hose from the pressure gauge to the R410A refrigerant tank.

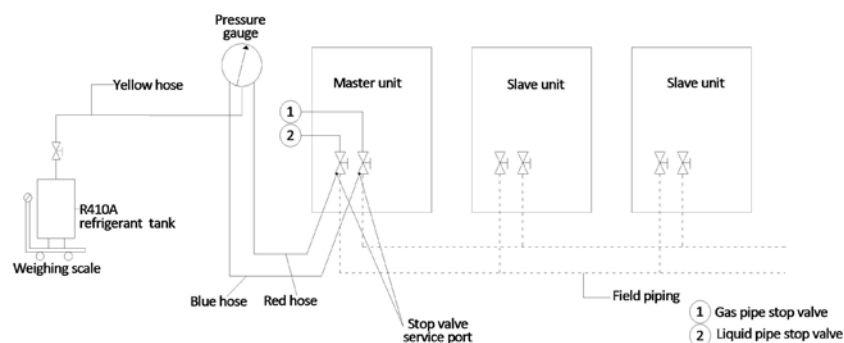
##### Step 3

- Open the valve where the yellow hose meets the pressure gauge, and open the refrigerant tank slightly to let the refrigerant eliminate the air. Caution: open the tank slowly to avoid freezing your hand.
- Set the weighing scale to zero.

##### Step 4

- Open the three valves on the pressure gauge to begin charging refrigerant.
- When the amount charged reaches R (kg), close the three valves. If the amount charged has not reached R (kg) but no additional refrigerant can be charged, close the three valves on the pressure gauge, run the outdoor units in cooling mode, and then open the yellow and blue valves. Continue charging until the full R (kg) of refrigerant has been charged, then close the yellow and blue valves. Note: Before running the system, be sure to complete all the pre-commissioning checks as listed in Chapter 11.3 “Pre-commissioning Checks” and be sure to open all stop valves as running the system with the stop valves closed would damage the compressor.

Figure 8.1: Charging refrigerant



Pressure gauge

## 8 - Electrical wiring

### 8.1 General

#### Notes for installers

##### Caution

- All installation and wiring must be carried out by competent and suitably qualified, certified and accredited professionals and in accordance with all applicable legislation.
- Electrical systems should be grounded in accordance with all applicable legislation.
- Overcurrent circuit breakers and residual-current circuit breakers (ground fault circuit interrupters) should be used in accordance with all applicable legislation.
- Wiring patterns shown in this data book are general connection guides only and are not intended for, or to include all details for, any specific installation.
- The refrigerant piping, power wiring and communication wiring are typically run in parallel. However the communication wiring should not be bound together with the refrigerant piping or power wiring. To prevent signal interference, the power wiring and communication wiring should not be run in the same conduit. If the power supply is less than 10A, a separation of at least 300mm between power wiring and communication wiring conduits should be maintained; if the power supply is in the range 10A to 50A then a separation of at least 500mm should be maintained.

### 8.2 Power supply wiring

Power supply wiring design and installation should adhere to the following requirements:

- Separate power supplies should be provided for the indoor units and outdoor units.
- Where five or more outdoor units are installed, additional residual current protection (leakage protection) should be installed as shown in Figure 9.1.
- All the indoor units in a system (i.e. all the indoor units connected to the same set of outdoor units) should be tied into the same power circuit with the same power supply, overcurrent and residual current protection (leakage protection) and manual switch, as shown in Figure 9.2. Do not install separate protectors or manual switches for each indoor unit. Powering on and shutting down all indoor units in a system should be done simultaneously. The reason for this is that if an indoor unit that is running were to suddenly power off whilst the other indoor units continued running, the evaporator of the powered-off unit would freeze since refrigerant would continue flowing to that unit (its expansion valve would still be open) but its fan would have stopped. The indoor units that remain running would not get sufficient refrigerant so their performance would suffer. Additionally, liquid refrigerant returning directly to the compressor from the powered-off unit would cause liquid hammering, potentially damaging the compressor.
- For outdoor unit power wire sizing and circuit breaker sizing, refer to "Electrical data" in Part 1 of this document.

Figure 9.1: Outdoor unit power supply wiring

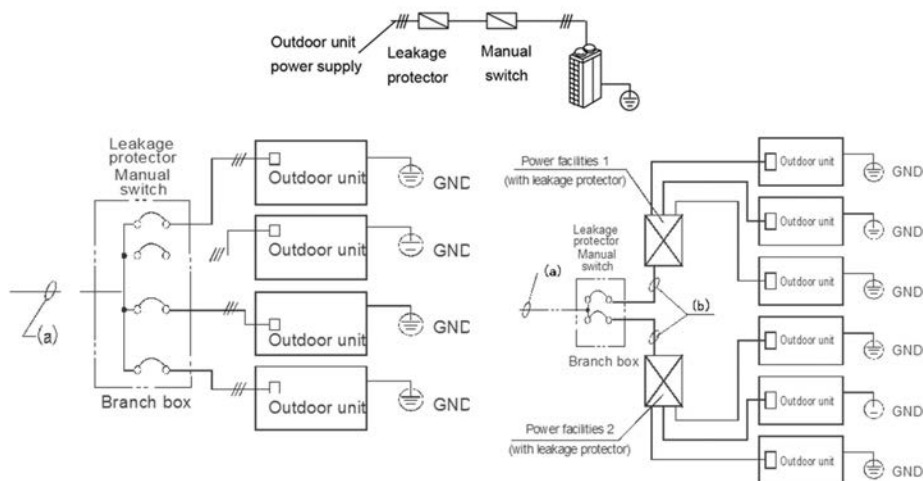
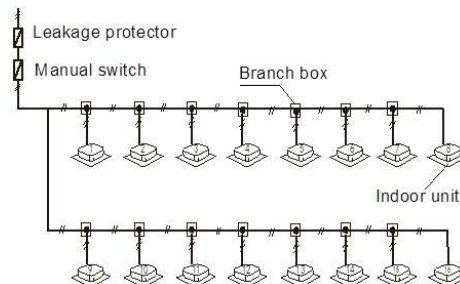


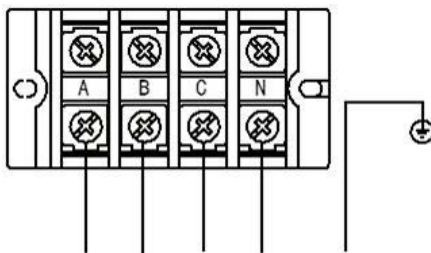
Figure 9.2: Indoor unit power supply wiring



## Notes for installers

The 3-phase, 380-415V, 50 or 60Hz power supply should be connected to the outdoor unit power supply terminals as shown in Figure 9.3.

Figure 9.3: Outdoor unit 3-phase power supply terminals



## 8.3 Communication wiring

Communication wiring design and installation should adhere to the following requirements:

- 0.75mm<sup>2</sup> three-core shielded cable should be used for communication wiring. Using other types of cable can lead to interference and malfunction.
- **Indoor communication wiring:**
  - The P Q E communication wires should be connected one unit after another in a daisy chain from the outdoor unit to the final indoor unit as shown in Figure 9.4. At the final indoor unit, a 120Ω resistor should be connected between the P and Q terminals. After the final indoor unit, the communication wiring should NOT be continued back to the outdoor unit – that is, do not attempt to form a closed loop.
  - The P and Q communication wires should NOT be grounded.
  - The shielding nets of the communication wires should be connected together and grounded. Grounding can be achieved by connecting to the metal casing adjacent to the P Q E terminals of the outdoor unit electrical control box.

## Notes for installers

The communication wires should be connected to the outdoor unit terminals indicated in Figure 9.5 and Table 9.1.

### Caution

- Communication wiring has polarity. Care should be taken to connect the poles correctly.

Figure 9.5: Outdoor unit communication terminals

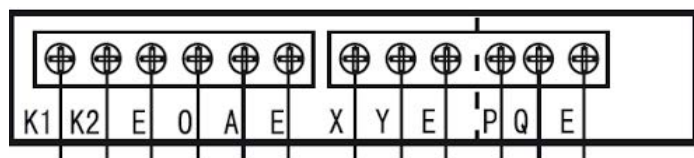
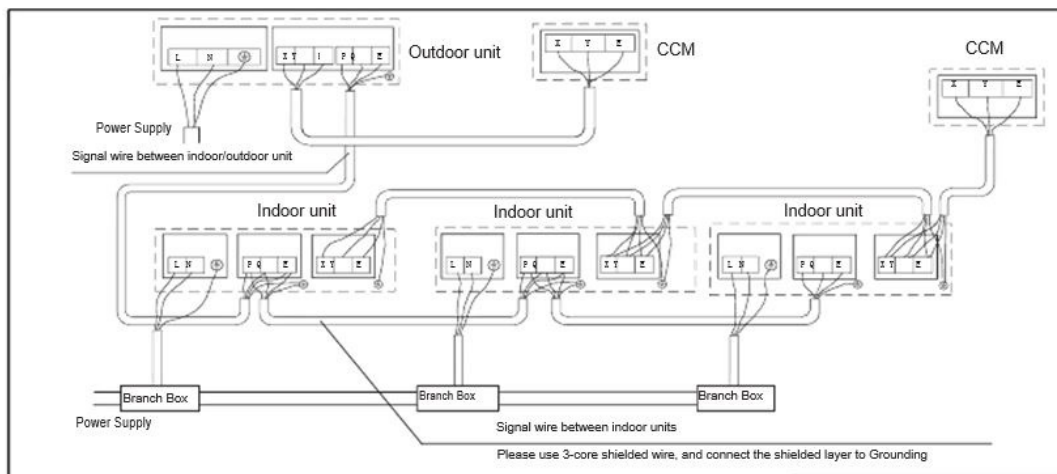


Table 9.1: Communication connections

| Terminals | Connection                                    |
|-----------|---|
| K1 K2 E   | Connect to outdoor unit centralized monitor   |
| O A E     | Connect to digital energy meter               |
| X Y E     | Connect to indoor unit centralized controller |
| P Q E     | Connect between indoor units and outdoor unit |

## 9.4 Wiring example

Figure 9.6: System power and communication wiring example



## 9 - Installation in areas of high salinity

### 9.1 Caution

Do not install outdoor units where they could be directly exposed to sea air. Corrosion, particularly on the condenser and evaporator fins, could cause product malfunction or inefficient performance.

Outdoor units installed in seaside locations should be placed such as to avoid direct exposure to the sea air, otherwise the service life of the outdoor units will be seriously affected.

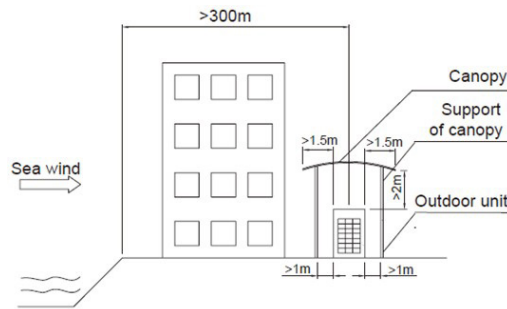
Air conditioning installed in seaside locations should be run regularly as the running of the outdoor unit fans helps prevent build-up of salt on the outdoor unit heat exchangers.

### 9.2 Placement and installation

Outdoor units should be installed 300m or more from the sea. A canopy should be added to shield the units from sea air and rain, as shown in Figure 10.1.

Ensure that base structures drain well so that outdoor unit footings do not become waterlogged. Check that outdoor unit casing drainage holes are not blocked.

Figure 10.1: Installation outdoors under a canopy



### 9.3 Inspection and maintenance

In addition to standard outdoor unit servicing and maintenance, the following additional inspections and maintenance should be undertaken for outdoor units installed in seaside locations:

- A comprehensive post-installation inspection should check for any scratches or other damage to painted surfaces and any damaged areas should be repainted/repaired immediately.
- The units should be regularly cleaned using (non-salty) water to remove any salt that has accumulated. Areas cleaned should include the condenser, the refrigerant piping system, the outside surface of the unit casing and the outside surface of the electric control box.
- Regular inspections should check for corrosion and if necessary corroded components should be replaced and/or anti-corrosion treatments should be added.

## 10 - Commissioning

### 10.1 Outdoor unit address and capacity settings

Before starting up the system for the first time, set the address for the outdoor unit through selector ENC4 by assigning a code from 0 to F (corresponding to 0–15) on the main PCB. The capacity of the outdoor unit (on selector ENC2 on the main PCB of the outdoor unit) is set by default and does not need to be modified. Check that the capacity settings are correct, by consulting that specified in the diagram appearing on the outdoor unit's control box.

### 10.2 Pre-commissioning checks

Before turning on the power to the indoor and outdoor units, ensure the following:

1. All indoor and outdoor refrigeration piping and communication wiring has been connected to the correct refrigeration system and the system to which each indoor and outdoor unit belongs is clearly marked on each unit or recorded in some other suitable place.
2. Pipe flushing, gastightness testing and vacuum drying have been satisfactorily completed as per instructions.
3. All condensate drain piping is complete and a watertightness test has been satisfactorily completed.
4. All power and communication wiring is connected to the correct terminals on units and controllers. (Check that the different phases of the 3-phase power supplies have been connected to the correct terminals).
5. No wiring has been connected in a short-circuit.
6. The power supplies to indoor and outdoor units have been checked and the power supply voltages are within  $\pm 10\%$  of the rated voltages for each product.
7. All control wiring is 0,75mm<sup>2</sup> three-core shielded cable and the shielding has been grounded.
8. The outdoor units' address and capacity switches are set correctly (see Chapter 11.1 "Outdoor Unit Address and Capacity Settings") and all other indoor and outdoor unit field settings have been set as required.
9. The additional refrigerant charge has been added as per Chapter 8 "Charging Refrigerant". Note: In some circumstances it may be necessary to run the system in cooling mode during the refrigerant charging procedure. In such circumstances, points 1 to 8 above should be checked before running the system for the purpose of charging refrigerant and the outdoor unit liquid, gas and oil balance valves should be opened.

During commissioning, it is important that you:

- Keep a supply of R410A refrigerant at hand.
- Keep the system layout, system piping and control wiring diagrams at hand.



## 10.3 Commissioning trial runs

### 10.3.1 Commissioning test run of single refrigerant system

Once all the pre-commissioning checks in Chapter 11.3 “Pre-commissioning Checks” have been completed, a test run should be performed as described below and a System Commissioning Report (see Chapter 12 “Appendix – System Commissioning Report”) should be completed as a record of the operating status of the system during commissioning.

Note: When running the system for commissioning test runs, if the combination ratio is 100% or less, run all the indoor units and if the combination ratio is more than 100%, run indoor units with total capacity equal to the total capacity of the outdoor units.

The test run procedure is as follows:

1. Open the outdoor unit liquid, gas and oil balance valves.
2. Turn on the power to the outdoor units.
3. If manual addressing is being used, set the addresses of each indoor unit.
4. Leave the power on for a minimum of 12 hours prior to running the system to ensure that the crankcase heaters have heated the compressor oil sufficiently.

Run the system:

- a) Run the system in cooling mode with the following settings: temperature 17°C; fan speed high.
  - b) After one hour, complete Sheet A of the system commissioning report then check the system parameters and complete the cooling mode columns of one Sheet D and one Sheet E of the system commissioning report for each outdoor unit.
  - c) Run the system in heating mode with the following settings: temperature 30°C; fan speed high.
  - d) After one hour, complete Sheet B of the system commissioning report then check the system parameters and complete the heating mode columns of one Sheet D and one Sheet E of the system commissioning report for each outdoor unit.
6. Finally, complete Sheet C of the system commissioning report.

### 10.3.2 Commissioning test run of multiple refrigerant systems

Once the commissioning test run of each refrigerant system has been satisfactorily completed as per paragraph 11.4.1 “Commissioning test run of single refrigerant system”, run the multiple systems that make up a project simultaneously and check for any abnormalities.



## MSAN-XMi Series System Commissioning Report – Sheet A

|                                  |  |                    |  |
|----------------------------------|--|--------------------|--|
| <b>Project name and location</b> |  | <b>System name</b> |  |
|----------------------------------|--|--------------------|--|

|   |   |             |         |                |                  |                   |              |                           |   |   |              |   |   |
|---|---|-------------|---------|----------------|------------------|-------------------|--------------|---------------------------|---|---|--------------|---|---|
| COOLING MODE PARAMETER RECORD<br>(After running in cooling mode for one hour) | <b>OUTDOOR UNITS</b>  |             |         |                |                  |                   |              |                           |   |   |              |   |   |
|   |   | Master unit |         |                | Slave unit 1     |                   |              | Slave unit 2              |   |   | Slave unit 3 |   |   |
|   | Compressor suction pipe temperature   |             |         |                |                  |                   |              |                           |   |   |              |   |   |
|   | System pressure at check port   |             |         |                |                  |                   |              |                           |   |   |              |   |   |
|   |   | A           | B       | C              | A                | B                 | C            | A                         | B | C | A            | B | C |
|   | Phase currents [A]  |             |         |                |                  |                   |              |                           |   |   |              |   |   |
|   | Within normal range?  |             |         |                |                  |                   |              |                           |   |   |              |   |   |
|   | <b>INDOOR UNITS</b>   |             |         |                |                  |                   |              |                           |   |   |              |   |   |
|   | (Sample of over 20% of the indoor units including the unit farthest from the outdoor units) |             |         |                |                  |                   |              |                           |   |   |              |   |   |
|   | Room no.  | Model       | Address | Set temp. [°C] | Inlet temp. [°C] | Outlet temp. [°C] | Drainage OK? | Abnormal noise/vibration? |   |   |              |   |   |
|   |   |             |         |                |                  |                   |              |                           |   |   |              |   |   |
|   |   |             |         |                |                  |                   |              |                           |   |   |              |   |   |
|   |   |             |         |                |                  |                   |              |                           |   |   |              |   |   |
|   |   |             |         |                |                  |                   |              |                           |   |   |              |   |   |
|   |   |             |         |                |                  |                   |              |                           |   |   |              |   |   |
|   |   |             |         |                |                  |                   |              |                           |   |   |              |   |   |
|   |   |             |         |                |                  |                   |              |                           |   |   |              |   |   |
|   |   |             |         |                |                  |                   |              |                           |   |   |              |   |   |
|   |   |             |         |                |                  |                   |              |                           |   |   |              |   |   |
|   |   |             |         |                |                  |                   |              |                           |   |   |              |   |   |
|   |   |             |         |                |                  |                   |              |                           |   |   |              |   |   |

## MSAN-XMi Series System Commissioning Report – Sheet C

|                                  |  |                    |  |
|----------------------------------|--|--------------------|--|
| <b>Project name and location</b> |  | <b>System name</b> |  |
|----------------------------------|--|--------------------|--|

| RECORD OF ISSUES SEEN DURING COMMISSIONING |                               |                 |                            |                             |
|--|-------------------------------|-----------------|----------------------------|-----------------------------|
| No.  | Description of observed issue | Suspected cause | Troubleshooting undertaken | Serial no. of relevant unit |
| 1  |                               |                 |                            |                             |
| 2  |                               |                 |                            |                             |
| 3  |                               |                 |                            |                             |

| OUTDOOR UNIT FINAL CHECKLIST       |             |              |              |              |
|------------------------------------|-------------|--------------|--------------|--------------|
|                                    | Master unit | Slave unit 1 | Slave unit 2 | Slave unit 3 |
| <b>SW2 system check performed?</b> |             |              |              |              |
| <b>Any abnormal noise?</b>         |             |              |              |              |
| <b>Any abnormal vibration?</b>     |             |              |              |              |
| <b>Fan rotation normal?</b>        |             |              |              |              |

|                   | Commissioning engineer | Dealer | Clivet representative |
|-------------------|------------------------|--------|-----------------------|
| <b>Name:</b>      |                        |        |                       |
| <b>Signature:</b> |                        |        |                       |
| <b>Date:</b>      |                        |        |                       |

## MSAN-XMi Series System Commissioning Report – Sheet D

| Project name and location |   | System name                          |                 |              |
|---------------------------|---|--------------------------------------|-----------------|--------------|
| DSP1 content              | Parameters displayed on DSP2  | Remarks                              | Observed values |              |
|                           |   |                                      | Cooling mode    | Heating mode |
| - 0                       | Outdoor unit address  | Master unit: 0; slave units: 1, 2, 3 |                 |              |
| - 1                       | Outdoor unit capacity   | Refer to Note 1                      |                 |              |
| - 2                       | Number of outdoor units   | Displayed on master unit PCB only    |                 |              |
| - 3                       | Number of indoor units as set on PCB                                | Displayed on master unit PCB only    |                 |              |
| - 4                       | Outdoor unit output metric (total of all units)                     | Displayed on master unit PCB only    |                 |              |
| - 5                       | Indoor unit demand metric (total of all units)                      |                                      |                 |              |
| - 6                       | Outdoor unit output metric (master unit)                            |                                      |                 |              |
| - 7                       | Operating mode  | Refer to Note 2                      |                 |              |
| - 8                       | Outdoor unit output metric (this unit)                              |                                      |                 |              |
| - 9                       | Fan A speed index   | Refer to Note 3                      |                 |              |
| 10                        | Fan B speed index   | Refer to Note 3                      |                 |              |
| 11                        | Average indoor heat exchanger pipe temperature (°C)                 | Actual value = value displayed       |                 |              |
| 12                        | Outdoor heat exchanger pipe temperature (°C)                        | Actual value = value displayed       |                 |              |
| 13                        | Outdoor ambient temperature (°C)                                    | Actual value = value displayed       |                 |              |
| 14                        | Inverter compressor A discharge temperature (°C)                    | Actual value = value displayed       |                 |              |
| 15                        | Inverter compressor B discharge temperature (°C)                    | Actual value = value displayed       |                 |              |
| 16                        | Main inverter module temperature (°C)                               | Actual value = value displayed       |                 |              |
| 17                        | Saturation temperature (°C) corresponding to the discharge pressure | Actual value = value displayed + 30  |                 |              |
| 18                        | Inverter compressor A current (A)                                   | Actual value = value displayed       |                 |              |
| 19                        | Inverter compressor B current (A)                                   | Actual value = value displayed       |                 |              |
| 20                        | EXVA position   | Steps = value displayed × 8          |                 |              |
| 21                        | EXVB position   | Steps = value displayed × 8          |                 |              |

Table continued on next page ...

## MSAN-XMi Series System Commissioning Report – Sheet D

|                                  |  |                    |  |
|----------------------------------|--|--------------------|--|
| <b>Project name and location</b> |  | <b>System name</b> |  |
|----------------------------------|--|--------------------|--|

... table continued from previous page

| DSP1 content | Parameters displayed on DSP2                                       | Remarks  | Observed values |              |
|--------------|--|--|-----------------|--------------|
|              |  |  | Cooling mode    | Heating mode |
| 22           | Compressor discharge pressure (MPa)                                | Actual value = value displayed x 0.1   |                 |              |
| 23           | Reserved   |  |                 |              |
| 24           | Number of indoor units currently in communication with master unit | Actual value = value displayed   |                 |              |
| 25           | Number of indoor units currently operating                         | Actual value = value displayed   |                 |              |
| 26           | Priority mode  | Refer to Note 4  |                 |              |
| 27           | Silent mode  | Refer to Note 5  |                 |              |
| 28           | Static pressure mode   | Refer to Note 6  |                 |              |
| 29           | DC voltage A   | Actual value = value displayed x 10  |                 |              |
| 30           | DC voltage B   | Actual value = value displayed x 10  |                 |              |
| 31           | Reserved   |  |                 |              |
| 32           | Most recent error or protection code                               | 000 is displayed if no error or protection events have occurred since start-up |                 |              |
| 33           | Error clearance metric   | Actual value = value displayed   |                 |              |
| 34           | ----   | End  |                 |              |

**Notes:**

**1. Outdoor unit capacity setting:**

0: 25,2kW (8HP); 1: 28,0kW (10HP); 2: 33,5kW (12HP); 3: 40,0kW (14HP); 4: 45,0kW (16HP); 5: 50,0kW (18HP); 6: 56,0kW (20HP); 7: 61,5kW (22HP).

**2. Operating mode:**

0: off; 2: cooling; 3: heating; 4: forced cooling.

**3. The fan speed index is related to the fan speed in rpm as described in the MS-XMi Technical Bulletin.**

**4. Priority mode:**

0: heating priority; 1: cooling priority; 2: VIP priority or voting priority; 3: heating only; 4: cooling only.

**5. Silent mode:**

0: night silent mode; 1: silent mode; 2: super silent mode; 3: no silent mode.

**6. Static pressure mode:**

0: standard static pressure; 1: low static pressure; 2: medium static pressure; 3: high static pressure.

Page intentionally left blank

Page intentionally left blank



**CLIVET SPA**

Via Camp Lonc 25, Z.I. Villapaiera - 32032 Feltre (BL) - Italy  
Tel. + 39 0439 3131 - Fax + 39 0439 313300 - info@clivet.it

**CLIVET GROUP UK Limited**

Units F5&F6 Railway Triangle Ind Est, Walton Road - Portsmouth, Hampshire - PO6 1TG - United Kingdom  
Tel. + 44 (0) 1489 572238 - Fax. +44 (0) 2392 381243 - enquiries@clivetgroup.co.uk

**CLIVET ESPAÑA S.A.U.**

C/ Bac de Roda, 36 - 08019 Barcelona - España  
Tel: +34 93 8606248 - Fax +34 93 8855392 - info@clivet.es

Av.Manoteras Nº 38, Oficina C303 - 28050 Madrid - España  
Tel. +34 91 6658280 - Fax +34 91 6657806 - info@clivet.es

**CLIVET GmbH**

Hummelsbütteler Steindamm 84, 22851 Norderstedt - Germany  
Tel. + 49 (0) 40 32 59 57-0 - Fax + 49 (0) 40 32 59 57-194 - info.de@clivet.com

**CLIVET RUSSIA**

Elektrozavodskaya st. 24, office 509 - 107023, Moscow, Russia  
Tel. + 74956462009 - Fax + 74956462009 - info.ru@clivet.com

**CLIVET MIDEAST FZCO**

Dubai Silicon Oasis (DSO), High Bay Complex, Office N. 20, PO BOX 342009, Dubai, UAE  
Tel. + 9714 3208499 - Fax + 9714 3208216 - info@clivet.ae

**CLIVET AIRCONDITIONING SYSTEMS PRIVATE LIMITED**

501/502, Commercial-1, Kohinoor City, Old Premier Compound, Kirol Road, Off L B S Marg, Kurla West - Mumbai 400 070 - India  
Tel. +91 22 30930250 - info.in@clivet.com

---

[www.clivet.com](http://www.clivet.com)  
[www.clivetlive.com](http://www.clivetlive.com)

A Group Company of

