

# ELFOEnergy Medium

Air cooled water chiller for outdoor installation

## WSAT-XEE 82-302

Nominal cooling capacity from 24,3 kW to 72,2 kW

- ▶ **REDUCED ENERGY CONSUMPTION**
- ▶ **OPTIMISED OPERATION AT PARTIAL LOADS**
- ▶ **COMPLETE HYDRONIC ASSEMBLY SUPPLIED AS STANDARD**
- ▶ **DIRECT FREE-COOLING**



The ELFOENERGY series chillers represent an important stage in the development of this type of unit. They feature the most up-to-date advances in technology, standing out for:

### **EFFICIENCY**

thanks to its special construction, the ELFOENERGY ensures high energy efficiency, in particular during operation at partial loads;

### **SELF-ADAPTING**

the evolved electronics implemented adapt the operating parameters of the chiller to the load conditions of the system it is installed in, optimising consumption, efficiency and the working life of the components;

### **EASE OF INSTALLATION**

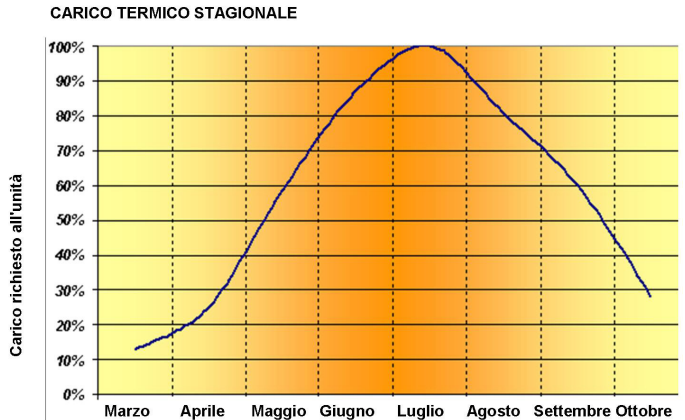
each unit is supplied as standard with a complete hydronic assembly and is completely tested in the factory; installation is consequently quick and easy.



Clivet is participating in the EUROVENT Certification Programme "Liquid Chilling Packages". Products are listed in the EUROVENT Directory of Certified Products and in the site [www.eurovent-certification.com](http://www.eurovent-certification.com). Eurovent Chillers Certification Programme covers air cooled packaged chillers up to 600 kW and water cooled packaged chillers up to 1500 kW.

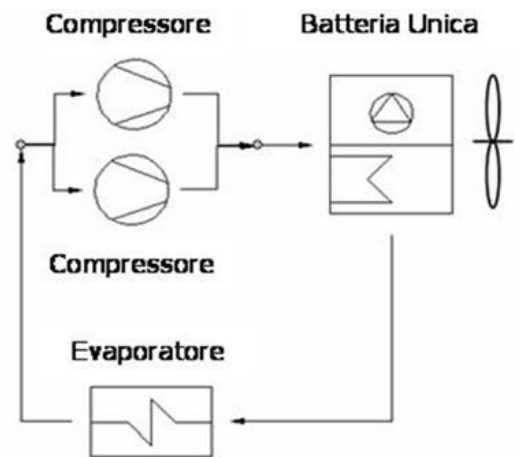
## Comfort is a human right. Care for the environment is a human duty.

The SPINCHILLER is an appliance of new conception, designed especially to operate with increasing efficiency as thermal load reduces, yet able to handle the maximum load demand whenever necessary. Because of significant diurnal and seasonal variations in load, chillers must operate for prolonged periods under partial load conditions. A SPINCHILLER unit always ensures conditions of maximum comfort coupled with ultra high efficiency for most of the system's working life, which means a big saving in electrical energy. This reflects the corporate policy of CLIVET, namely: offering fundamental and concrete solutions to help safeguard the well-being of people and their environment. By way of example, here is a seasonal thermal load graph relating to a multi-use building (shops, offices and apartments) located in the Milan area.



## Multiple high efficiency scroll compressors in the same refrigeration circuit

A key aspect of the approach adopted in designing the ELFOENERGY is the notion of equipping a single refrigeration circuit with a battery of SCROLL compressors, rather than the conventional separated circuit. Moreover the use of compressors with different capacities allows a rise of the capacity step number and in this way a better capacity-control flexibility. This enables the unit to adapt perfectly to the system load. The evolved control equipment used with ELFOENERGY units will optimize the activation sequence and balance the operating cycles of the compressors to maximum advantage

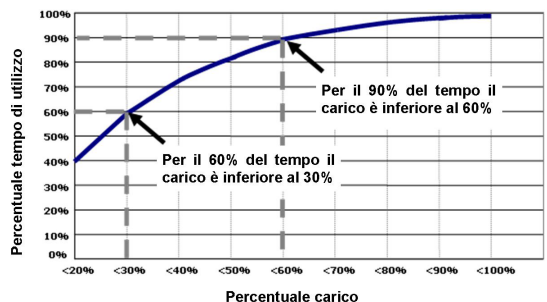


## High efficiency at partial loads

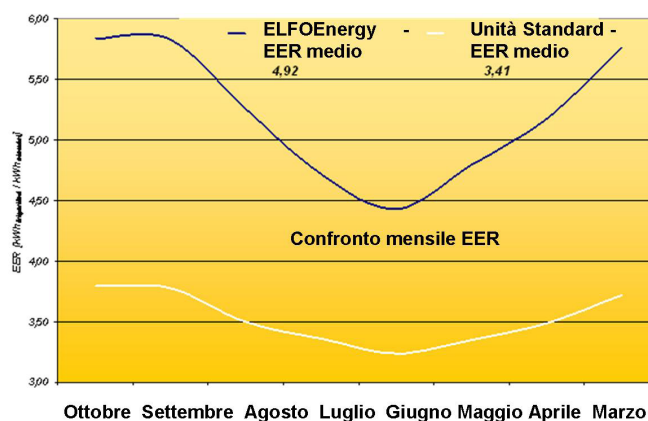
In air-conditioning systems the choice of unit is made based on the maximum load which the system has been sized for.

In actual service, it is known that these conditions are, however, only found for a small percentage of operating time, while operating at part load represents the real condition in which the unit is called upon to work.

Simulations which have been conducted on different buildings have highlighted how, on average, a system works with a load of less than 60% for 90% of the time. In choosing a unit its performance at part load is therefore fundamental.

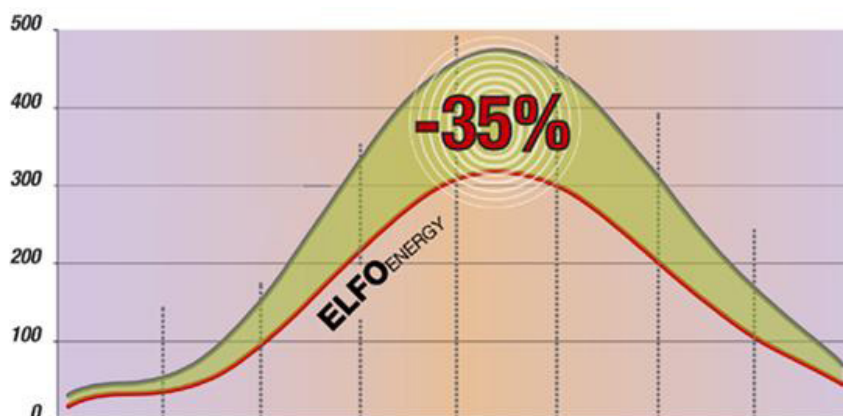


The electronic controller and the specific constructional configuration highlight the thermodynamic efficiency of ELFOENERGY. To achieve maximum efficiency, the electronic controller starts the compressors according to the most favourable ratio between the exchange surfaces, so that the condensing and evaporation temperature are always the most advantageous. The diagram to the side shows the trend in efficiency (EER) of an ELFOENERGY unit and of a traditional unit on a typical summer day. It is clear how the efficiency of the ELFOENERGY is practically always higher, reaching values that are even more than twice as high at some times of the day, when the load thermal is lower.



## Low operating costs

Thanks to the characteristics described previously, ELFOENERGY ensures much higher efficiency than a traditional chiller for most of the operating time. Comparing, in the same system, the power consumption of the ELFOENERGY against the power consumption of a traditional chiller with the same capacity, the seasonal savings can reach around 35%. These data, combined with the intrinsic reliability of the unit, make the ELFOENERGY an essential option in both terms of pay back time and peace of mind.



In a system with a 34 kW unit installed, the annual energy saving obtained with a ELFOENERGY is in the region of 3.000 kWh, which signifies a cost saving of € 500 and 590 kg less fuel to transport and burn.



## Noise too is load-dependent

The condenser electronic controller, fitted as standard on all the ELFOENERGY units, automatically adjusts the fan speed as the thermal load decreases. As the fans are the greatest source of noise for this type of unit, it is clear how this feature brings important benefits, in particular at night, when the load is reduced but noise sensitivity is heightened.

## Gliding temperature

The ELFOENERGY electronic control permits the adjustment of the supply temperature of the water generated by the unit to the load conditions which are detected by the unit. This function is called GLIDING TEMPERATURE a concept by which the unit is continuously hunting for the best balance between the supplied capacity and the energy spent to produce it.

## All-in-one philosophy

ELFOEnergy is a unit "ready for use", including not only the components of the refrigerant circuit, but also a water circuit complete with pump (optional double pump), safety valve, filling assembly and filter. As a result, the only requirement is to connect the unit to the water inlet and outlet pipes; in this way, the commissioning times and the possible problems during installation are reduced to the minimum.

## Controls keyboard



## Water filter

steel mesh mechanical filter positioned at the exchanger inlet. Suitable for filtering water and trapping the impurities present in the water circuit.

Mechanic steal-mesh filter is supplied standard on units with hydronic kit



## N° 1 PUMP with standard, reduced or larger discharge head



# Standard unit technical specifications

## Compressor

Hermetic orbiting scroll compressor complete with motor over-temperature and over-current devices and protection against excessive gas discharge temperature. Fitted on rubber antivibration mounts and complete with oil charge.

An oil heater, which starts automatically, keeps the oil from being diluted by the refrigerant when the compressor stops.

## Structure

Structure made entirely in Zinc–Magnesium plate that guarantees excellent mechanical characteristics and high corrosion strength over time.

## Panelling

External sheet steel panelling with pre-painted zinc-magnesium superficial treatment that ensures superior resistance to corrosion for outdoor installation and eliminates the need for periodical painting. The panels can be easily removed to fully access internal components and are lined with sound-proof material on the inside to contain the unit's sound levels.

## Internal exchanger

Direct expansion heat exchanger with braze welded stainless steel INOX AISI 316 plates and complete with external thermal/anti-condensation insulation.

The exchanger is complete with:

- differential pressure switch, water side
- antifreeze heater to protect the water side exchanger, preventing the formation of frost if the water temperature falls below a set value.
- 

## External exchanger

Finned exchanger, made from copper pipes arranged in staggered rows and mechanically expanded for better adherence to the collar of the fins. The fins are made from aluminium with a special corrugated surface, set a suitable distance apart to ensure maximum heat exchange efficiency.

The coils are complete with integral subcooling circuit which assures the correct refrigerant feeding of the expansion valve. Available in different options as per optional list.

## Fan

Low speed axial fan directly driven by single phase external rotor motor with incorporated thermal overload.

Low speed axial fan directly driven by three phase external rotor motor with incorporated thermal overload. Housed in aerodynamically shaped enclosures to increase the efficiency and reduce the noise level. Complete with fan guard in order to help against fortuitous contact with the blades.

## Refrigeration circuit

Refrigeration circuit with:

- filter dryer
- liquid flow and moisture indicator
- safety high pressure switch
- Low pressure safety switch
- liquid receiver
- compressor suction shut-off valve
- cutoff valve on compressor supply
- high pressure safety
- thermostatic expansion valve with equalizer
- pressure probes

## Electrical panel

The Capacity Section includes:

- isolating transformer for auxiliary circuit power supply
- main line isolator switch
- compressor overload cutout switch
- fan fuses
- centrifugal pump motor protector
- compressor control contactor
- pump control contactor
- phase cutting fan speed controller (pressure)

The control section includes:

- display of the set values and the error codes
- H2o antifreeze and high refrigerant gas pressure pre-alarm function that reduces cooling capacity to avoid unit shut-down
- compressor overload protection and timer
- antifreeze protection
- Compressor timer / operation signal LED
- possibility of communication with ZONE MASTER system (optional)
- proportional-integral water temperature control
- relay for remote cumulative fault signal
- self-diagnosis system with immediate display of the fault code
- ON/OFF and alarm reset buttons
- UP and DOWN buttons to increase and decrease the values
- display of the set values, the error codes and the parameter index
- compressor operating hour display
- remote ON/OFF control
- water pump control
- function and command buttons
- set point compensation with 4-20 mA signal

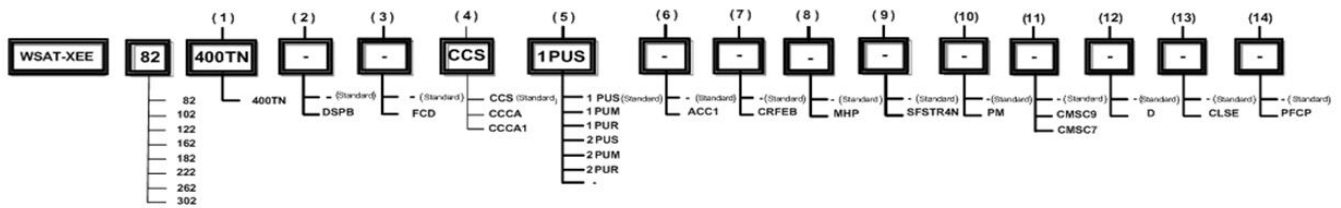
## Water circuit

- water side safety valve
- impurity trap with filter
- Centrifugal pump
- antifreeze heater protection to pumping station
- drain valve
- Closed couple pumps with high efficiency impellers. Maximum operating pressure 1000 kPa. Temperature range from -10 to +80°C. Maximum glycol concentration 40%. Motor: closed type. External ventilation. Protection IP55. Insulation class F. Clockwise rotation looking at the pump from the motor side.

## Accessories

- stainless steel mesh mechanical strainer (to be used, if required, with unit configured without hydronic assembly)
- finned coil protection grill
- serial communication module to supervisor (Modbus)
- set point compensation according to the outside enthalpy
- daily and weekly programming clock
- set-point compensation with outdoor air temperature probe
- high and low pressure gauges
- Remote control via microprocessor control
- Phase monitor
- Rubber antivibration mounts

# Configuration Code



## (1) Voltage

400TN - Supply voltage 400/3/50+N

## (2) Double set point

DSPB - Double set point for water low temperature  
 Double set point with units in "Brine" version

## (3) FREE-COOLING

(-) not required (standard)  
 FCD - Direct FREE-COOLING

## (4) Condensing coil

CCS - Standard condenser coil (standard)  
 CCCA - Copper / aluminium condenser coil with acrylic lining  
 CCCA1 - Condenser coil with Aluminium Energy Guard DCC treatment

## (5) User side hydronic unit

1PUS - Standard pump (standard)  
 1PUM - Single pump with larger available head  
 1PUR - Single pump with reduced available head  
 2PUS - Standard double pump  
 2PUM - Double pump with larger available head  
 2PUR - Double pump with reduced available head  
 Not available for 82-102-122 unit size  
 User side hydronic assembly: not required (-)

## (6) Storage tank

(-) not required (standard)  
 ACC1 - Teflon steel storage device

## (7) External section fan consumption reduction

(-) not required (standard)  
 CREFB - ECOBREEZE external section fans consumption reduction device

## (8) Pressure gauges

(-) not required (standard)  
 MHP - High and low pressure gauges

## (9) Soft starter

(-) not required  
 SFSTR4N - Disposal for inrush current reduction, for unit 400/3/50+N

## (10) Phase monitor

(-) not required (standard)  
 PM - Phase monitor

## (11) Serial communication module

(-) not required (standard)  
 CMSC9 - Serial communication module to Modbus supervisor Modbus  
 CMSC7 - LON WORKS serial converter kit

## (12) Energy recovery

(-) not required (standard)  
 D - Partial energy recovery

## (13) Free Contacts Heating External Signal

(-) not required (standard)  
 CLSE - Free contacts for alarm

## (14) Power factor correction capacitors (cosfi > 0.9)

(-) not required (standard)  
 PFCP - Power factor correction capacitors (cosfi>0.9)

## General technical data

Size			82	102	122	162	182	222	262	302
<b>Cooling</b>										
Cooling capacity	1	[kW]	24,3	28,2	33,7	40,0	45,9	54,4	64,1	72,2
Compressor power input	1	[kW]	8,5	10,0	12,1	13,5	16,0	19,4	22,3	25,5
Total power input	2	[kW]	9,06	10,5	12,61	15,2	17,7	21,1	24,1	27,3
EER	3		2,68	2,68	2,67	2,62	2,59	2,57	2,66	2,64
Cooling capacity (EN14511:2013)	4	[kW]	24,7	28,7	34,2	40,5	46,4	55,2	65,0	73,1
Total power input (EN14511:2013)	4	[kW]	9,26	10,7	12,8	14,6	17,1	20,8	24,1	27,2
EER (EN 14511:2013)	4		2,67	2,67	2,68	2,78	2,72	2,65	2,70	2,69
SEER			3,85	3,84	3,82	3,84	3,84	3,82	3,83	3,83
<b>Compressor</b>										
Type of compressors	5		SCROLL	SCROLL	SCROLL	SCROLL	SCROLL	SCROLL	SCROLL	SCROLL
No. of compressors			2	2	2	2	2	2	2	2
Capacity steps (ST)			3	3	2	3	3	3	3	2
Oil charge (C1)		[l]	3,61	3,72	3,54	5,76	5,76	6,65	7,39	8,28
Refrigerant charge (C1)		[kg]	8,2	8	11	12	12,5	15,5	17,5	17,5
Refrigeration circuits			1	1	1	1	1	1	1	1
<b>Internal exchanger</b>										
Type of internal exchanger	6		PHE	PHE	PHE	PHE	PHE	PHE	PHE	PHE
No. of internal exchangers		[l/s]	1	1	1	1	1	1	1	1
Water flow-rate	1	[l/s]	1,2	1,3	1,6	1,9	2,2	2,6	3,1	3,4
Max water flow-rate		[l/s]	1,5	1,8	2,3	2,7	3,1	4,0	4,6	5,4
Pressure drop		[kPa]	48	47	41	43	43	38	40	42
Useful pump discharge head	1	[kPa]	132	126	120	104	88	148	139	131
<b>External Section Fans</b>										
Type of fans	7		AX	AX	AX	AX	AX	AX	AX	AX
Number of fans			2	2	2	1	1	1	2	2
Standard airflow	1	[l/s]	2545	2538	2514	4933	4875	4778	7196	7145
Installed unit power		[kW]	0,25	0,25	0,25	1,72	1,72	1,72	0,90	0,90
<b>Connections</b>										
Water fittings			1" 1/4	1" 1/4	1" 1/4	2"	2"	2"	2"	2"
<b>Water circuit</b>										
Max water side pressure		[MPa]	0,55	0,55	0,55	0,55	0,55	0,55	0,55	0,55
Safety valve calibration		[kPa]	600	600	600	600	600	600	600	600
<b>Power supply</b>										
Power supply STD			400/3/50+N	400/3/50+N	400/3/50+N	400/3/50+N	400/3/50+N	400/3/50+N	400/3/50+N	400/3/50+N

The Product is compliant with the Erp (Energy Related Products) European Directive. It includes the Commission delegated Regulation (EU) No 2016/2281, also known as Ecodesign LOT21.

\*Contains fluorinated greenhouse gases (GWP 2087,5)

(1) Data referred to the following conditions:

internal exchanger water = 12/7°C

entering external exchanger air temperature 35°C

(2) Total absorbed power is given by the compressor absorbed power + fan absorbed power + auxiliary circuit absorbed power.

(3) 100% EER Data referred to the following conditions: internal exchanger water outlet temperature = 7°C ambient temperature = 35 °C

(4) Data calculated in compliance with Standard EN 14511:2013 referred to the following conditions: Internal exchanger water temperature = 12/7°C. External exchanger intake air temperature = 35°C

(5) SCROLL = Scroll compressors

(6) PHE = plates

(7) AX = axial fan

(8) Data calculated according to the EN 14825:2016 Regulation



## Electrical data

Size		82	102	122	162	182	222	262	302
<b>F.L.A. - Full load current at max admissible conditions</b>									
F.L.A. - Pump	[A]	1,58	1,58	1,58	1,58	1,58	2,7	2,7	2,7
F.L.A. - Total	[A]	24,2	28,3	32,5	37,3	43,6	52,6	60,7	68,6
<b>F.L.I. - Full load power input at max admissible conditions</b>									
F.L.I. - Pump	[kW]	0,82	0,82	0,82	0,82	0,82	1,45	1,45	1,45
F.L.I. - Total	[kW]	13,4	15,7	18,0	21,8	25,0	29,4	33,9	37,6
<b>M.I.C. Maximum inrush current</b>									
M.I.C. - Total	[A]	78,1	115,0	119,2	131,9	138,9	196,0	204,1	212,0
M.I.C. - With Soft Start accessory	[A]	44,9	63,4	67,6	76,4	79,9	109,0	114,8	122,7

Power supply: 400/3/50 Hz. Voltage variation: max. +/-10%

Voltage unbalance between phases: max 2 %

The pump is included in the total values calculation

for non standard voltage please contact Clivet technical office

## Sound levels

Size	Sound Power Level (dB)								Sound pressure level	Sound power level
	Octave band (Hz)									
	63	125	250	500	1000	2000	4000	8000	dB(A)	dB(A)
82	80	75	78	73	70	66	58	52	60	75
102	79	74	77	73	70	66	60	51	60	75
122	79	74	77	72	70	67	61	52	60	75
162	89	82	78	80	77	69	64	59	64	81
182	89	82	77	79	77	71	66	60	64	81
222	89	82	80	81	77	72	64	59	65	82
262	89	82	79	80	78	73	67	59	65	82
302	89	82	80	81	76	73	64	57	65	82

Measures according to UNI EN ISO 9614-2 regulations, with respect to the EUROVENT 8/1 certification.

Sound levels refer to units with full load under nominal test conditions.

The sound pressure level refers to a distance of 1m from the outer surface of the unit operating in an open field.

Data referred to the following conditions:

internal exchanger water = 12/7°C

outdoor air temperature 35°C

## Operating limit

### Cooling

Size		82	102	122	162	182	222	262	302	
<b>External exchanger</b>										
Max entering air temperature	1	[°C]	48	48,5	47	48,5	49	48,5	48,5	47,5
Max entering air temperature	2	[°C]	50	50,5	49	50,5	5	50,5	50,5	49,5
Min. entering air temperature	3	[°C]	-10	-10	-10	-10	-10	-10	-10	-10
<b>Internal exchanger</b>										
Max inlet water temperature	4	[°C]	23	23	23	23	23	23	23	23
Min. leaving water temperature	5	[°C]	5	5	5	5	5	5	5	5
Min. leaving water temperature	6	[°C]	-8	-8	-8	-8	-8	-8	-8	-8

Caution: Air conditions which are at rest are defined as the absence of air flows to the unit. Weak winds can induce air flows through the exchanger which can cause a reduction in the operating range (see limits with air speed at 0,5 m/s & 1 m/s).

ATTENTION: IN CASE OF PREDOMINANT WINDS, WINDBREAK BARRIERS ARE NECESSARY.

Water thermal head (min / max) are indicated in the section INTERNAL EXCHANGER PRESSURE DROP

(1) unit at full load: internal exchanger water 12/7°C

(2) internal exchanger water = 12/7°C

capacity-controlled unit (automatic capacity control)

(3) external exchanger air in quiet

(4) this limit can be exceeded for brief and transitory periods with automatic capacity control of the unit: the maximum limit is 30°C.

capacity-controlled unit (automatic capacity control)

(5) Standard unit

outdoor air temperature 35°C

(6) B = Low Temperature

outdoor air temperature 35°C

Fluid with ethylene glycol of 40%

## Correction factors for glycol use

% ethylene glycol by weight			5%	10%	15%	20%	25%	30%	35%	40%
Freezing temperature		°C	-2,0	-3,9	-6,5	-8,9	-11,8	-15,6	-19,0	-23,4
Safety temperature		°C	3	1	-1	-4	-6	-10	-14	-19
INTERNAL exchanger chiller power factor INTERNO		-	0,995	0,990	0,985	0,981	0,977	0,974	0,971	0,968
Compressor power input factor		-	0,997	0,993	0,990	0,988	0,986	0,984	0,982	0,981
Internal exchanger Glycol solution flow Factor		-	1,003	1,010	1,020	1,033	1,050	1,072	1,095	1,124
INTERNAL exchanger pressure drop factor INTERNO		-	1,029	1,060	1,090	1,118	1,149	1,182	1,211	1,243

The correction factors shown refer to water and glycol ethylene mixes used to prevent the formation of frost on the exchangers in the water circuit during inactivity in winter.

## Fouling Correction Factors

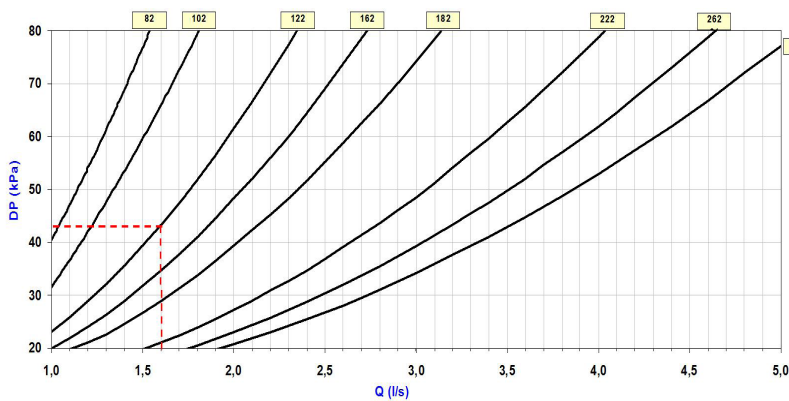
m <sup>2</sup> °C/W	Internal exchanger	
	F1	FK1
0.44 x 10 <sup>-4</sup>	1	1
0.88 x 10 <sup>-4</sup>	0,97	0,99
1.76 x 10 <sup>-4</sup>	0,94	0,98

The cooling performance values provided in the tables are based on the external exchanger having clean plates (fouling factor 1). For different fouling factor values, multiply the performance by the coefficients shown in the table.

F1 = Cooling capacity correction factors

FK1 = Compressor power input correction factor

## Internal exchanger pressure drops



Exchanger pressure drop limit. Warning: don't use over this limit.

Unit without water circuit components

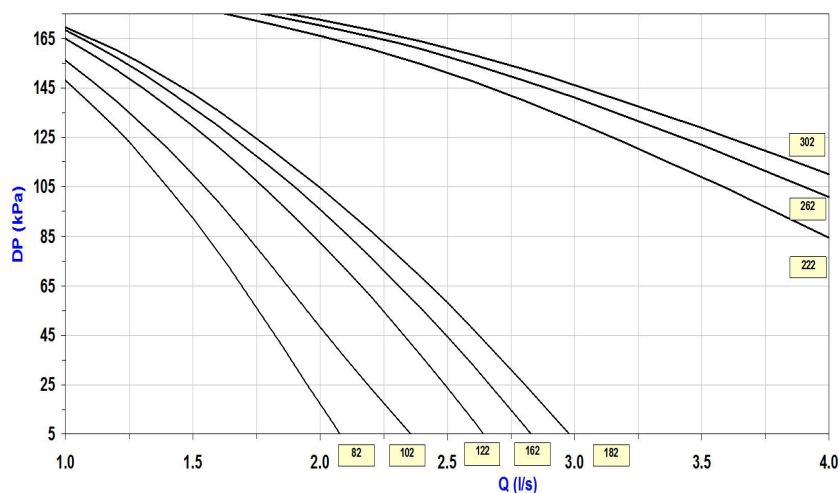
Q = Water flow-rate [l/s]

Dp = Pressure drop [Kpa]

Exchanger pressure drop limit. Warning: don't use below this limit.

Size	82	102	122	162	182	222	262	302
Minimum flow [l/s]	0,70	0,80	0,85	1,00	1,11	1,51	1,74	1,95
Maximum flow [l/s]	1,52	1,80	2,85	2,71	3,05	4,05	4,65	5,00

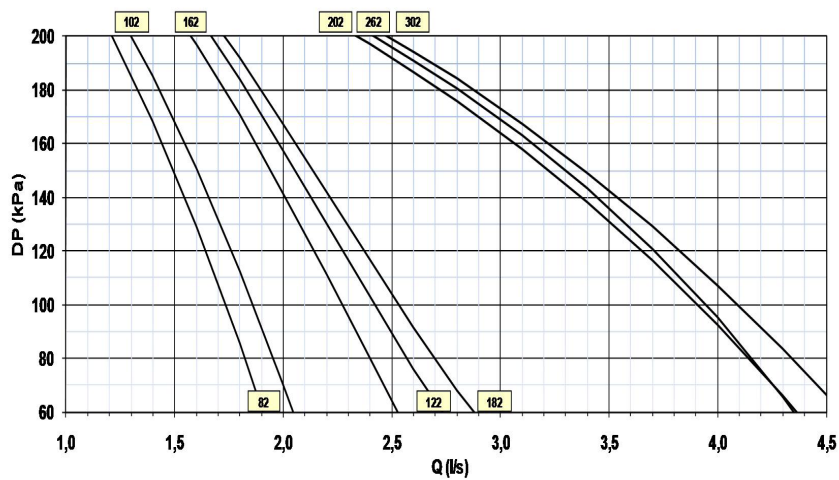
## Curve of discharge head with standard pump (pump + water filter)



The heads are intended as available at the unit connections

Q = Water flow-rate [l/s]  
DP = Available pressure [kPa]

## FREE-COOLING unit pump discharge head curves



The heads are intended as available at the unit connections

Q = Water flow-rate [l/s]  
DP = Available pressure [kPa]

# Cooling performances

Size	To (°C)	Entering external exchanger air temperature (°C)													
		25		30		32		35		40		43		46	
		kWf	kWe	kWf	kWe	kWf	kWe	kWf	kWe	kWf	kWe	kWf	kWe	kWf	kWe
82	6	26,5	6,78	25,1	7,59	24,5	7,94	23,6	8,47	22,1	9,43	21,2	10,0	20,3	10,7
	7	27,2	6,85	25,8	7,66	25,2	8,00	24,3	8,54	22,8	9,49	21,9	10,1	20,9	10,7
	9	28,7	6,98	27,2	7,79	26,6	8,13	25,7	8,66	24,1	9,60	23,2	10,2	22,2	10,8
	10	29,5	7,05	28,0	7,85	27,4	8,19	26,4	8,72	24,8	9,65	23,8	10,2	22,8	10,9
	11	30,3	7,11	28,8	7,91	28,1	8,25	27,2	8,77	25,5	9,69	24,5	10,3	23,5	10,9
	13	32,0	7,24	30,4	8,03	29,7	8,36	28,7	8,87	27,0	9,77	26,0	10,3	24,9	10,9
	16	34,7	7,43	32,9	8,20	32,2	8,52	31,1	9,01	29,3	9,85	-	-	-	-
102	6	30,8	8,06	29,1	8,99	28,5	9,37	27,4	9,98	25,7	11,0	24,7	11,7	23,6	12,4
	7	31,6	8,15	29,9	9,06	29,3	9,45	28,2	10,0	26,5	11,1	25,4	11,8	24,3	12,4
	9	33,3	8,32	31,6	9,22	30,9	9,60	29,9	10,2	28,1	11,2	27,0	11,9	25,8	12,5
	10	34,2	8,41	32,5	9,31	31,8	9,68	30,7	10,3	28,9	11,3	27,8	11,9	26,6	12,6
	11	35,2	8,50	33,4	9,40	32,7	9,77	31,6	10,3	29,7	11,3	28,6	12,0	27,4	12,6
	13	37,1	8,69	35,3	9,58	34,5	9,94	33,4	10,5	31,5	11,5	30,3	12,1	29,1	12,7
	16	40,3	8,99	38,3	9,87	37,5	10,2	36,3	10,8	34,2	11,7	-	-	-	-
122	6	36,5	9,92	34,9	10,8	34,2	11,2	33,0	11,8	30,8	13,0	29,4	13,9	27,8	14,8
	7	37,6	10,0	35,7	11,0	34,9	11,4	33,7	12,1	31,5	13,2	30,2	14,0	28,8	14,8
	9	39,8	10,3	37,5	11,4	36,6	11,9	35,2	12,6	33,1	13,6	31,9	14,3	30,7	14,9
	10	40,9	10,4	38,5	11,6	37,5	12,1	36,1	12,7	34	13,8	32,7	14,4	31,5	15
	11	42,0	10,5	39,5	11,7	38,5	12,2	37,1	12,9	34,9	14,0	33,6	14,6	32,3	15,2
	13	44,3	10,8	41,9	11,9	40,9	12,4	39,3	13,1	36,8	14,2	35,2	14,9	-	-
	16	48,0	11,2	45,9	11,9	44,9	12,4	43,2	13,1	40,0	14,5	-	-	-	-
162	6	43,7	10,9	41,3	12,1	40,4	12,7	38,9	13,4	36,4	14,8	34,8	15,7	33,2	16,5
	7	44,9	11,0	42,5	12,2	41,5	12,7	40,0	13,5	37,5	14,9	35,9	15,7	34,3	16,6
	9	47,4	11,3	44,9	12,4	43,9	12,9	42,3	13,7	39,7	15,0	38,1	15,9	36,5	16,7
	10	48,7	11,4	46,1	12,6	45,1	13,0	43,5	13,8	40,9	15,1	39,3	16,0	37,6	16,8
	11	50,0	11,5	47,4	12,7	46,4	13,2	44,8	13,9	42,1	15,2	40,5	16,1	38,8	16,9
	13	52,8	11,7	50,1	12,9	49,0	13,4	47,4	14,1	44,6	15,5	42,9	16,3	41,2	17,2
	16	57,2	12,1	54,4	13,3	53,3	13,8	51,5	14,5	48,6	15,9	46,7	16,7	44,9	17,6
182	6	50,2	13,0	47,5	14,4	46,4	15,0	44,6	15,9	41,5	17,6	39,6	18,7	37,6	19,8
	7	51,6	13,1	48,9	14,5	47,7	15,1	45,9	16,0	42,7	17,7	40,7	18,7	38,6	19,8
	9	54,6	13,3	51,7	14,7	50,5	15,3	48,6	16,2	45,1	17,8	43,0	18,8	40,7	19,9
	10	56,1	13,5	53,1	14,8	51,9	15,4	49,9	16,3	46,4	17,9	44,1	18,9	41,8	19,9
	11	57,6	13,6	54,6	14,9	53,3	15,5	51,3	16,4	47,7	18,0	45,3	19,0	42,9	20,0
	13	60,8	13,8	57,7	15,2	56,3	15,7	54,2	16,6	50,3	18,1	47,8	19,1	45,2	20,1
	16	65,9	14,3	62,5	15,6	61,0	16,1	58,7	16,9	54,4	18,4	-	-	-	-
222	6	59,1	15,7	56,1	17,4	54,8	18,1	52,9	19,2	49,5	21,2	47,3	22,5	45,1	23,8
	7	60,7	15,9	57,6	17,5	56,3	18,2	54,4	19,4	50,9	21,3	48,8	22,6	46,6	23,9
	9	64,1	16,2	60,8	17,8	59,5	18,5	57,5	19,7	54,0	21,6	51,9	22,9	49,7	24,2
	10	65,8	16,3	62,5	18,0	61,1	18,7	59,1	19,8	55,6	21,7	53,5	23,0	51,3	24,3
	11	67,5	16,5	64,2	18,1	62,8	18,8	60,7	19,9	57,2	21,9	55,1	23,1	52,9	24,4
	13	71,1	16,8	67,7	18,5	66,3	19,1	64,2	20,2	60,6	22,1	58,4	23,3	56,3	24,5
	16	76,6	17,2	73,1	18,9	71,7	19,6	-	-	-	-	-	-	-	-
262	6	69,7	18,1	66,1	20,0	64,7	20,8	62,3	22,1	58,2	24,4	55,7	25,8	53,0	27,4
	7	71,6	18,3	68,0	20,2	66,5	21,0	64,1	22,3	60,0	24,5	57,4	26,0	54,7	27,5
	9	75,6	18,6	71,8	20,5	70,2	21,3	67,7	22,6	63,5	24,8	60,9	26,2	58,2	27,7
	10	77,6	18,8	73,7	20,7	72,1	21,5	69,6	22,7	65,3	24,9	62,7	26,3	60,1	27,8
	11	79,7	18,9	75,6	20,8	74,0	21,6	71,5	22,9	67,2	25,1	64,6	26,4	62,0	27,9
	13	84,0	19,2	79,7	21,1	77,9	21,9	75,4	23,2	71,1	25,3	68,5	26,6	66,0	28,0
	16	90,6	19,6	85,9	21,6	84,1	22,4	81,5	23,6	77,2	25,6	-	-	-	-
302	6	78,4	20,8	74,5	22,9	72,8	23,9	70,3	25,3	65,8	28,0	63,0	29,6	60,0	31,4
	7	80,6	21,0	76,5	23,2	74,8	24,1	72,2	25,5	67,7	28,2	64,9	29,8	62,0	31,6
	9	84,9	21,4	80,7	23,6	79,0	24,5	76,4	25,9	71,8	28,6	69,0	30,2	66,1	32,0
	10	87,1	21,6	82,9	23,8	81,2	24,7	78,5	26,1	74,0	28,8	71,2	30,4	68,3	32,2
	11	89,4	21,8	85,1	24,0	83,4	24,9	80,7	26,3	76,2	28,9	73,5	30,6	70,7	32,3
	13	94,0	22,2	89,6	24,4	87,9	25,3	85,3	26,7	80,9	29,3	78,3	30,9	75,7	32,6
	16	101	22,8	96,8	25,0	95,1	25,9	92,6	27,3	88,6	29,7	-	-	-	-

To = Leaving exchanger water temperature (°C)  
 kWf = Cooling capacity in kW

kWe = Compressors power input (kW)  
 Performances in function of the entering/leaving water temperature differential = 5°C

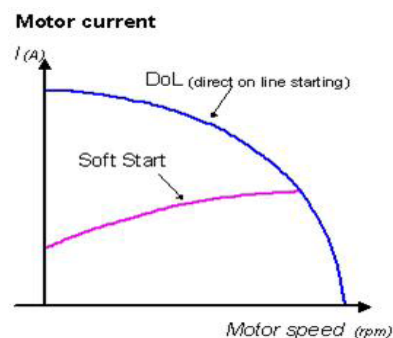
## Accessories

### SFSTR4N - Disposal for inrush current reduction, for unit 400/3/50+N

Starting up a motor directly can overload the electricity network, with start-up currents up to 8 times the nominal current.

Thanks to the breakaway current reduction device, start-up takes place gradually, with the start-up current being limited during this period of time.

The start-up current can therefore be reduced to 3.5 - 4 times the nominal current, meaning that the power systems and protection devices can be sized with lower parameters.

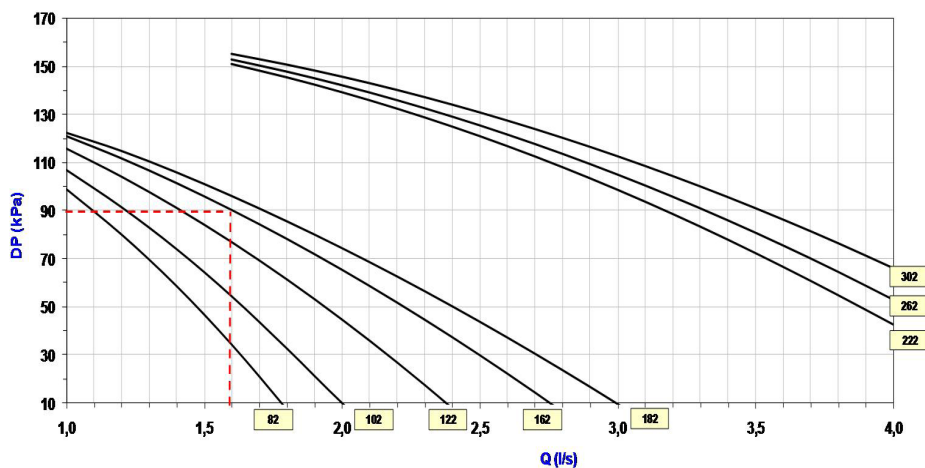


### 1PUS - Standard pump

### 1PUR - Single pump with reduced available head

Accessoriys not available in FREE-COOLING units

#### Curve of discharge head with reduced pump (pump + water filter)



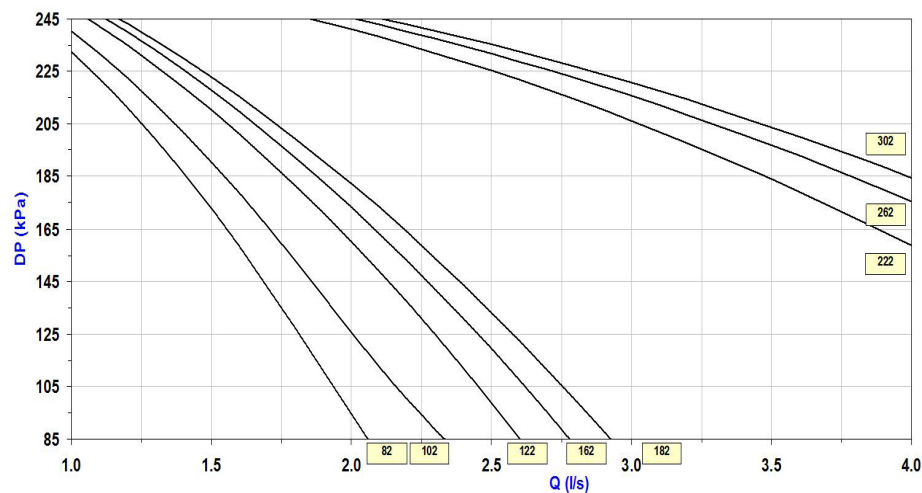
The heads are intended as available at the unit connections

Q = Water flow-rate [l/s]  
DP = Available pressure [kPa]

### 1PUM - Single pump with larger available head

Accessoriys not available in FREE-COOLING units

#### Curve of discharge head with larger pump (pump + water filter)



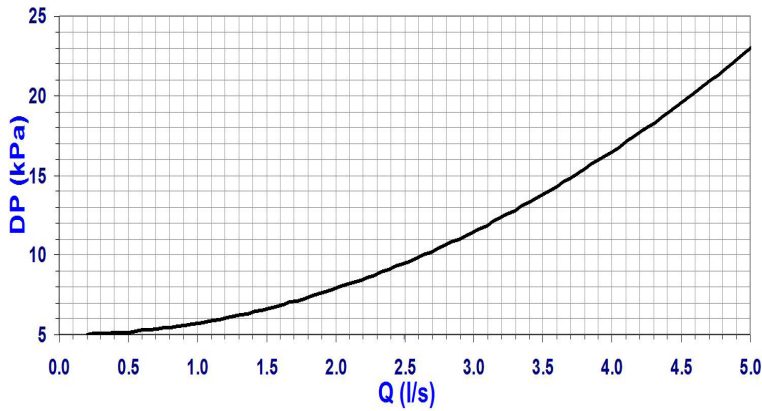
The heads are intended as available at the unit connections

Q = Water flow-rate [l/s]  
DP = Available pressure [kPa]

## 2PUS - Standard double pump

Accessoriys not available in FREE-COOLING units 82-102

### Pressure drop curves double pump



Q = Water flow-rate [l/s]  
Dp = Pressure drop [Kpa]

Pressure drop to remove in the accessory selection: double pump. both pumps can have a STANDARD, REDUCED or LARGER available head. The second pump starts up automatically in case of the first pump failure. The unit control allows an operation rotation of both pumps. The available head, in case of the double pump use, is the available head of the single choosen pump (STANDARD, REDUCED or LARGER) less the pressure drops as you can see from the graph.

## 2PUR - Double pump with reduced available head

Accessories not available in the units 82-102-122 and in the Free-Cooling units.

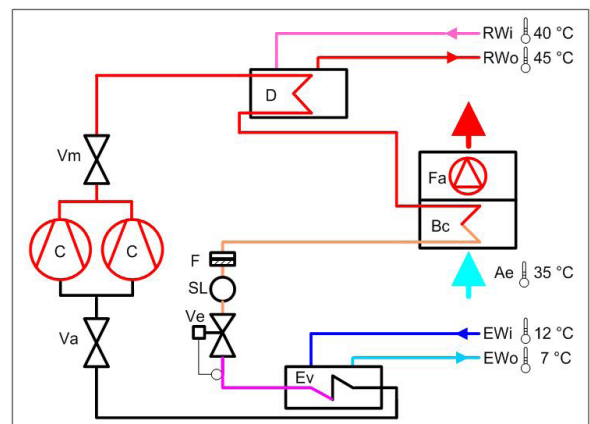
## 2PUM - Double pump with larger available head

Accessoriys not available in FREE-COOLING units

## D - Partial energy recovery

Partial recovery of condensing heat, up to 25%

The use of a desuperheater in a system developed based on the maximum energy efficiency and with a request for hot water, is practically an obligatory choice because it makes it possible to recover, free of charge, the heat that would otherwise be dispersed in the environment. The partial heat recovery is composed of shell and tube heat exchangers suitable for recovery of 25% of the heat power dispersed by the unit (cooling and electrical power of the compressors). With the desuperheater active, the performance of the unit improves since the condensation temperature is lowered. Approximately, the cooling power increases by 3.2% and the power absorbed by the compressors decreases by 3.6%. If the temperature of the water to be heated is relatively low, it is advisable to insert in the plumbing circuit an adjustment valve to keep the recovery inlet temperature greater than 35°C to prevent condensation.



Key  
AE Outdoor air  
Bc = condensing coil  
C = compressor  
D = partial heat recovery  
Ev = evaporator  
EWi = chilled water inlet  
EWo = chilled water outlet

F = dehydrator filter  
Fa = fan  
RWi = partial recovery water inlet  
RWo = partial recovery water outlet  
SL = liquid indicator  
Ve = expansion valve  
Va = bibcock on the suction line  
Vm = bibcock on supply line

## CLSE - Free contacts for alarm

Potential-free contacts for compressor status

## PFCP - Power factor correction capacitors (cosfi>0.9)

The resetting condensers increase the power factor value, reducing the apparent current on the supply line to the chiller assembly



## ACC1 - Teflon steel storage device

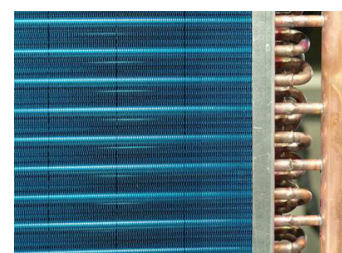
### Accessoriys not available in FREE-COOLING units

Inertial 80-litre storage tank, for applications where the system has limited water content. (sizes 82-102-122)

Inertial 130-litre storage tank, for applications where the system has limited water content. (sizes 162-182-222-262-302)

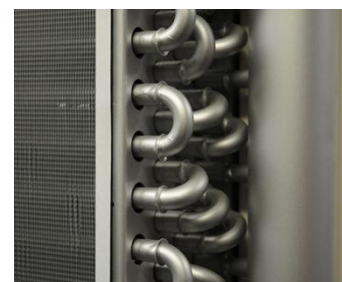
## CCCA - Copper / aluminium condenser coil with acrylic lining

The copper/aluminium evaporator coils with acrylic lining can be used in the room where the ambient air contains a concentration of salt and other not very aggressive agents.



## CCCA1 - Condenser coil with Aluminium Energy Guard DCC treatment

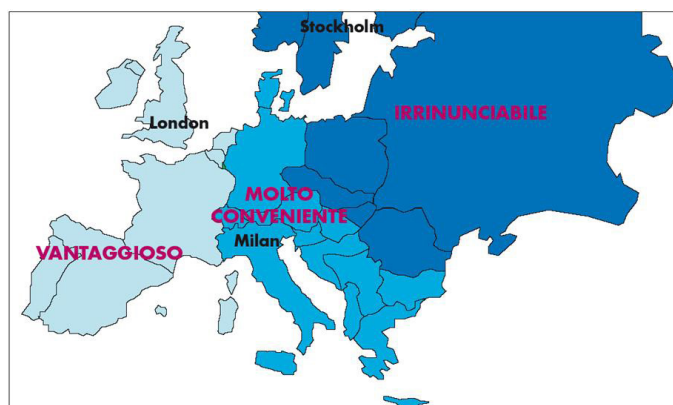
The Fin Guard Silver, for finned exchanger, is a polyurethane vernish waterproof (for waterworks, see and discharge water). It is also resistant to oil products and other different solvents. It hasn't any effects on the air side pressure drops.



## FCD - Direct FREE-COOLING

The unit WSAT-XEE 122 in FREE-COOLING version, is built on mobile sizes 162-182, the same for the size 222, that is developed on Movable 262-302. The weights of the units vary in reference to what is present in this document.

**FREE-COOLING** When the temperature of the fresh air is lower than the temperature of the return water of the system, the FREE-COOLING version lets you recover cold from the external environment, reducing the work of the compressors all the way down to nothing. IT IS INTENDED for all applications that require chilled water even in cold weather, such as industrial processes, data processing centres, telephone plants, shopping centres, etc.



## Use of anti-freeze solutions

The heat carrier used in the systems that include a FREE-COOLING device require a glycol solution (usually an ethylene type). This substance is required because the FREE-COOLING units are intended to be installed where the temperature can drop to very low levels during certain times of the year. The percentage of glycol in the solution depends on the low temperatures that can be expected in the place of installation. Therefore, this parameter is at the discretion of the system designer.



## Operating logic of clive units

The Free-Cooling unit differs mechanically from the standard unit due to the addition of a 3-way valve and a special finned packaged air/water heat exchanger.

Seasonal weather conditions cause the unit to operate in one of three different modes:

- Summer mode.
- Spring/autumn mode.
- Winter mode.

For the unit to work correctly in all situations, in complete safety, and with complete recovery of cooling power, the use of a modern, sophisticated microprocessor is required, which monitors a number of parameters (especially temperature and pressure) for the fresh air, gas and water circuit.

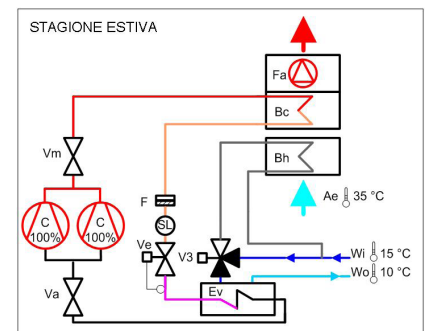
The main difference between summer mode and the other modes is the position of the 3-way valve.

In the summer, the valve is positioned so that it bypasses the Free Cooling coils, which in the other seasons are involved in cooling the solution.

### Operating logic in summer mode

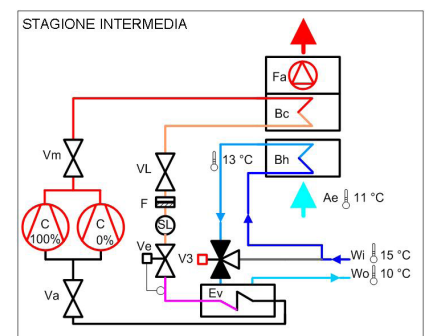
- cooling of the solution is ensured by the refrigerating cycle with operation of the compressors (C) as in a traditional chiller - as you can see in the figure, the FREE-COOLING (Bh) coils are not involved.

Key	Fa = fan
AE Outdoor air	SL = liquid indicator
Bc = condensing coil	V3 = three-way valve
Bh = water coil	Ve = expansion valve
C = scroll compressor	Va = bibcock on the suction line
Ev = plate evaporator	Vm = bibcock on supply line
F = filter dryer	Wi = water inlet



### Operating logic in spring/autumn mode

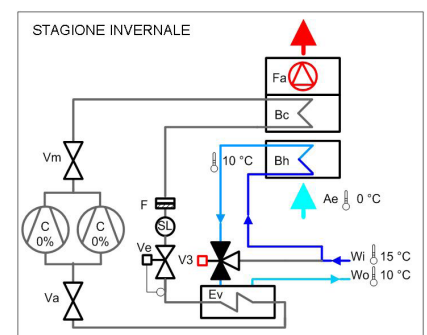
- energy savings variable between 0 and 100%, based on the temperature difference between fresh air and the system request;
- if the unit detects that the fresh air temperature (Ae) is suitable:
  1. it inverts the position of the 3-way valve (V3), forcing the solution to travel through the Free-Cooling coils (Bh) before reaching the evaporator (Ev);
  2. it sets the fans (Fa) at maximum speed to obtain maximum cooling of the solution from the fresh air;
  3. the solution thus undergoes an initial cooling which is free and natural;
  4. the remaining cooling is provided by the refrigeration cycle, with compressors in stepped operation (power absorbed proportional to the degree of stepping);
- if the temperature of fresh air increases, the microprocessor will automatically revert operation to summer mode, ensuring the same conditions requested by the user.



### Operating logic in winter mode

The three way valve (V3) is in the same position as in the previous case;

- the temperature of the fresh brings the solution at the outlet of the FREE-COOLING coils (Bh) to the temperature required for use;
- the microprocessor control completely deactivates all compressors (C), providing all cooling power at no cost, as opposed to standard units;
- if the difference between the temperature of the fresh air (Ae) and that required for use is such that the temperature of the solution at the outlet of the FREE-COOLING coils (Bh) drops below the set point required for use (which does not compromise unit safety, because of the glycol in the solution), the microprocessor modulates fan speed (Fa), turning them off if necessary. When the fans are off, if the temperature (Wo) continues to drop, the 3-way valve (V3) positions itself as in summer operation, changing to digital and allowing the set point to be maintained.





## Determination of chiller performance with FREE-COOLING in conditions of FC = OFF

The performance of a unit provided with a FREE-COOLING device varies with respect to the information provided for the standard units as shown in the table:

Glycols	10%	20%	30%	40%
Cooling capacity	0,97	0,96	0,95	0,94
Compressor power input	1,040	1,034	1,030	1,027

EXAMPLE: Determine the performance of a unit WSAT-XEE 82, FREE-COOLING with water 12/7 °C (30% gl) and fresh air 35°C,

WSAT-XEE 82 Cooling power = 24.3 Kw Electrical power of compressors = 8.5 kW

WSAT-XEE FC 82 Cooling power = 24.3 x 0.95 = 23.1 kW Electrical power of compressors = 8.5 x 1.03 = 8.75 kW

## Determination of chiller performance with FREE-COOLING in conditions of FC = ON

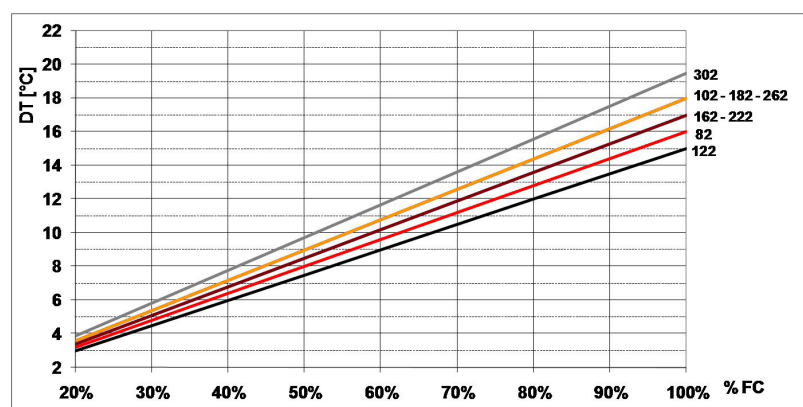
Size		82	102	122	162	182	222	262	302
FREE-COOLING (1) nominal capacity	Kw	25,1	29,2	34,3	41,4	47,4	66,2	74,6	78,8
Air temperature with FREE-COOLING at 100% (1)	Kw	-1,0	-3,0	0,0	-2,0	-3,0	-2,0	-3,0	-4,5

Data referred to the following conditions:

Water temperature IN-OUT 15/10°C

- glycol percentage 30%

## Determination of free-cooling percentage



% FC = percentage with respect to nominal potential of FREE-COOLING (water = 15/10°C, 30% gl)

DT = temperature difference between return water from system and fresh air.

EXAMPLE:

Determine the FC performance for a WSAT-XEE 82 unit with water 12/7 °C - 30% gl and fresh air 1 °C.

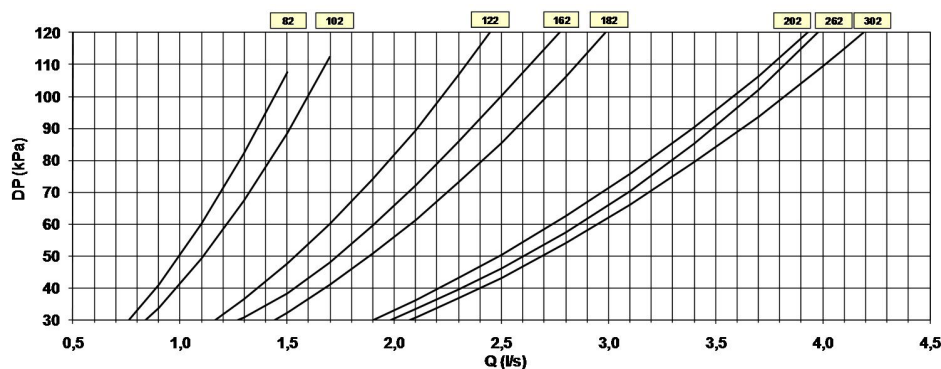
Nominal power of FC = 25.1 kW with H2O = 15/10 °C - 30% gl, fresh air -1 °C. T

emperature differential = 12°C - 1 °C = 13°C

Percentage of nominal Fc = 81%

FC power with fresh air at 1°C = 25.1x0.81 = 20.3 kW.

## Internal exchanger pressure drops + coils + 3-way valve



Q = Water flow [l/s]

Dp = Pressure drop [Kpa]

## CREFB - Device for fan consumption reduction of the external section, ECOBREEZE type

Within the range of air condensation-based products, Clivet introduces an innovative technology based on the deployment of fans driven by Brushless motors, completely electronically-controlled, characterised by extremely high efficiency and which allow a very advanced adjustment of fan speeds.



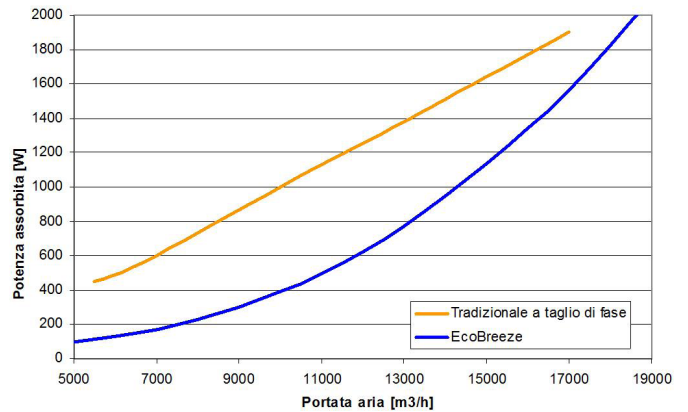
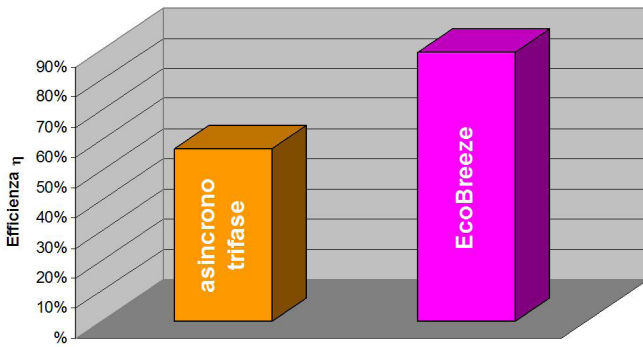
The ECOBREEZE option envisages the utilisation of special fans driven by electrical Brushless motors. This technology envisages a permanent-magnets rotor, coupled with a very advanced magnetic field electronic switching control to the stator, directly integrated within the motor itself.

A veritable “feather in the cap” is the electronic switching device that manages the precise and effective modulation of the fan’s rotation speed and, therefore, of the fan’s capacity. The management of this device is entrusted to the unit’s general control system, thus assuring complete integration with the other refrigerating unit’s components; this also allows the attaining of an exceptional overall efficiency. Furthermore, by integrating the control directly within the fan, one is guaranteed absolute suitability in the regulator/fan pair, differently from what is experienced in traditional systems.

Finally, under particularly demanding or emergency conditions, for example should the environment temperature rise beyond the limits foreseen, before shutting the delivered power and/or setting the unit under alarm, the control device will detect the specific situation and will force the fans to a rotation speed beyond the nominal value, thus assuring an additional capacity of about 15% of the specified value. In this way, it is possible to assure the production of refrigerated water also when traditional units would be forced into alarm conditions.

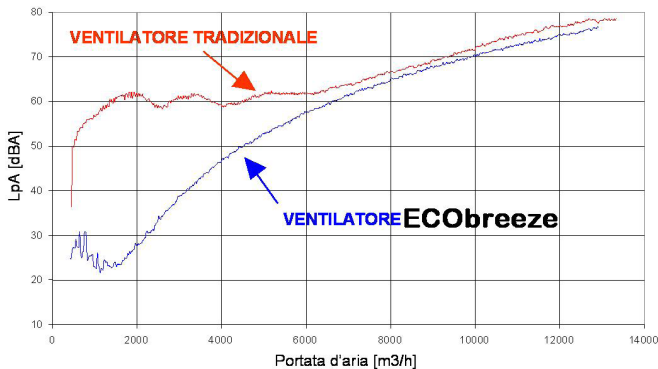
### Electric motor intrinsic efficiency guarantees a consumption reduction in every operation conditions.

The final result confirms that in comparison to the traditional three-phase induction motors, also with frequency and/or voltage governing, the internal losses within the iron are reduced by 60%, those of the copper by 40%, whereas the intrinsic consumption is about half of that of a traditional modulator (inverter, phase adjuster). The energy cutback, and therefore the money saved, under all operating conditions are truly remarkable and the initial investment is repaid in very few months. From that moment onwards the reduced operative costs turn directly into an economic gain for the user.



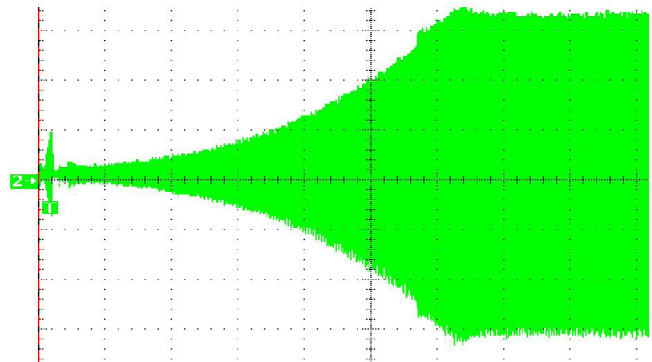
### When fans turn at minimum necessary speed, noise emissions are reduced.

In addition to this, a generalised reduction in noise emission is obtained, due to the effect of both the rotation speed which is always modulated to the most suitable value, in keeping with the operation conditions, and the technology deployed in the governing which doesn't induce particular frequencies and vibrations in the rotation.



### The start-up is progressive, without start absorption peaks.

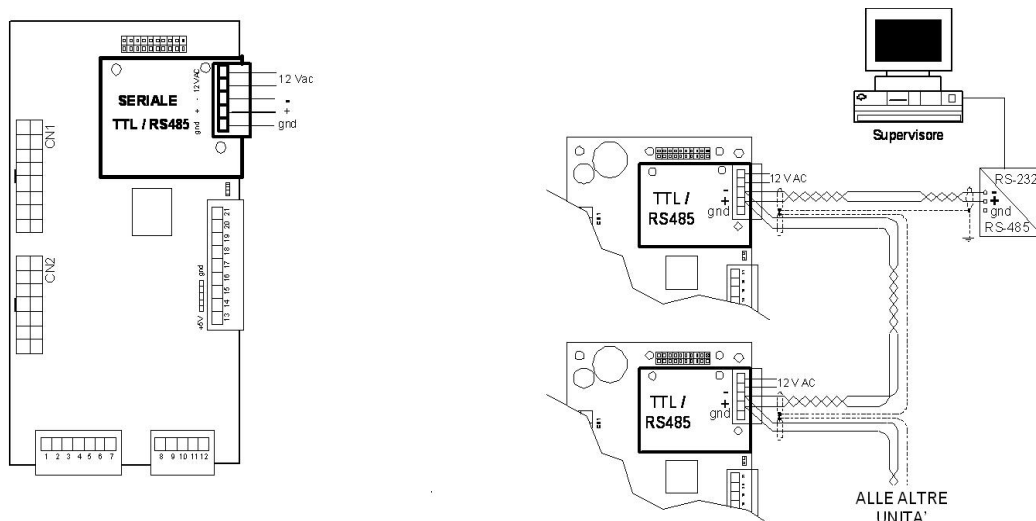
The current damping at start-up (see diagram) due to the control typology, but also to the absence of brushing contacts for the power supply to the rotor, drastically reduce the harmful stresses for the lifetime of the component. In the final analysis, the fan’s life can be considered as practically unlimited (greater than 80,000 hours).



## Accessories separately supplied

### CMMBX - Serial communication module to supervisor (Modbus)

The serial communications module with supervisor (Modbus) provides the unit with an RS 485 outlet. This makes it possible to obtain remote service and supervision with standard Modbus protocol. Connection to a PC must be via an RS485/232 converter; the serial RS232 allows maximum length of 10 metres. The serial communication module (Modbus) is necessary if the unit is connected to ELFOCONTROL.



### SCP3X - Set point compensation according to the outside enthalpy

It allows to modulate unit set-point according to the external enthalpy. In this way an higher comfort and continuous energy saving are guaranteed. It optimizes unit energy efficiency, through a set point automatic modulation, according to the external conditions (temperature + humidity).

It optimizes also the defrosting time during winter operation.



### PMX - Phase monitor

Phase monitor to check the presence and correct sequence of the power supply phases

### RCMRX - Remote control via microprocessor control

The remote control allows the remote display and operation of functions of the microprocessor on the unit

### SPCX - Set-point compensation with outdoor temperature probe

Set point compensation by air temperature probe varies the value of the set point according to the outside air temperature, allowing energy savings



### IFWX - Steel mesh strainer on the water side

Stainless steel mesh mechanical strainer (to be used, if required, with unit configured without hydronic assembly)

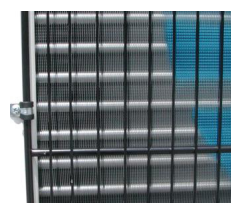
Steel mesh mechanical filter positioned at the exchanger inlet. Suitable for filtering water and trapping the impurities present in the water circuit.

### AMRX - Rubber antivibration mounts

The basic rubber anti-vibration mounts reduce the vibration of the compressor during operation, and are attached to the feet of the base.

### PGCEX - Coil protection grilles outdoor air side

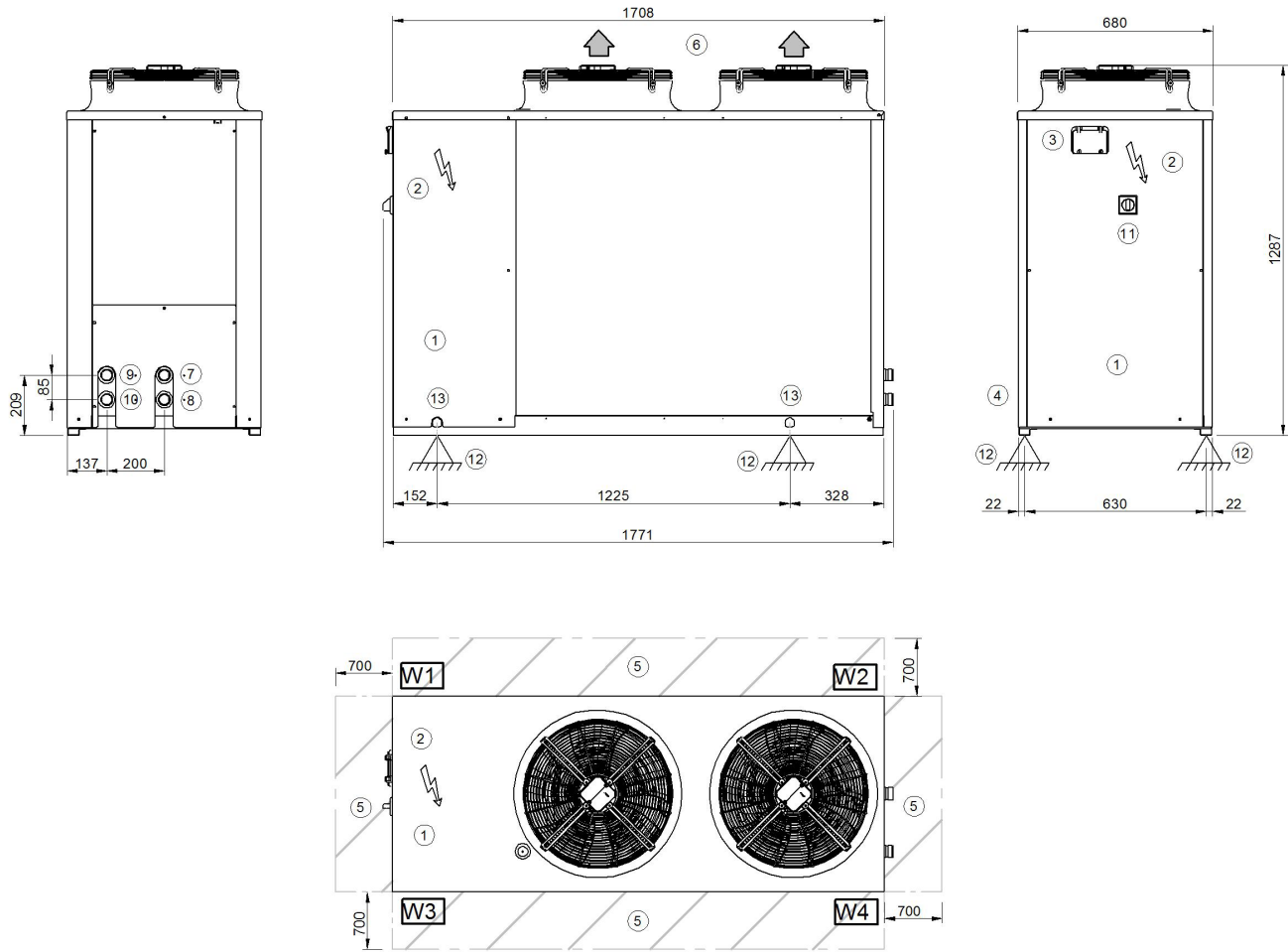
The protection battery pack grilles, protect fins from accidental bumps.



# Dimensional drawings

## Dimensionales and weight distribution WSAT-XEE 82-102-122

DAAG182\_122 REV01  
07/08/2015

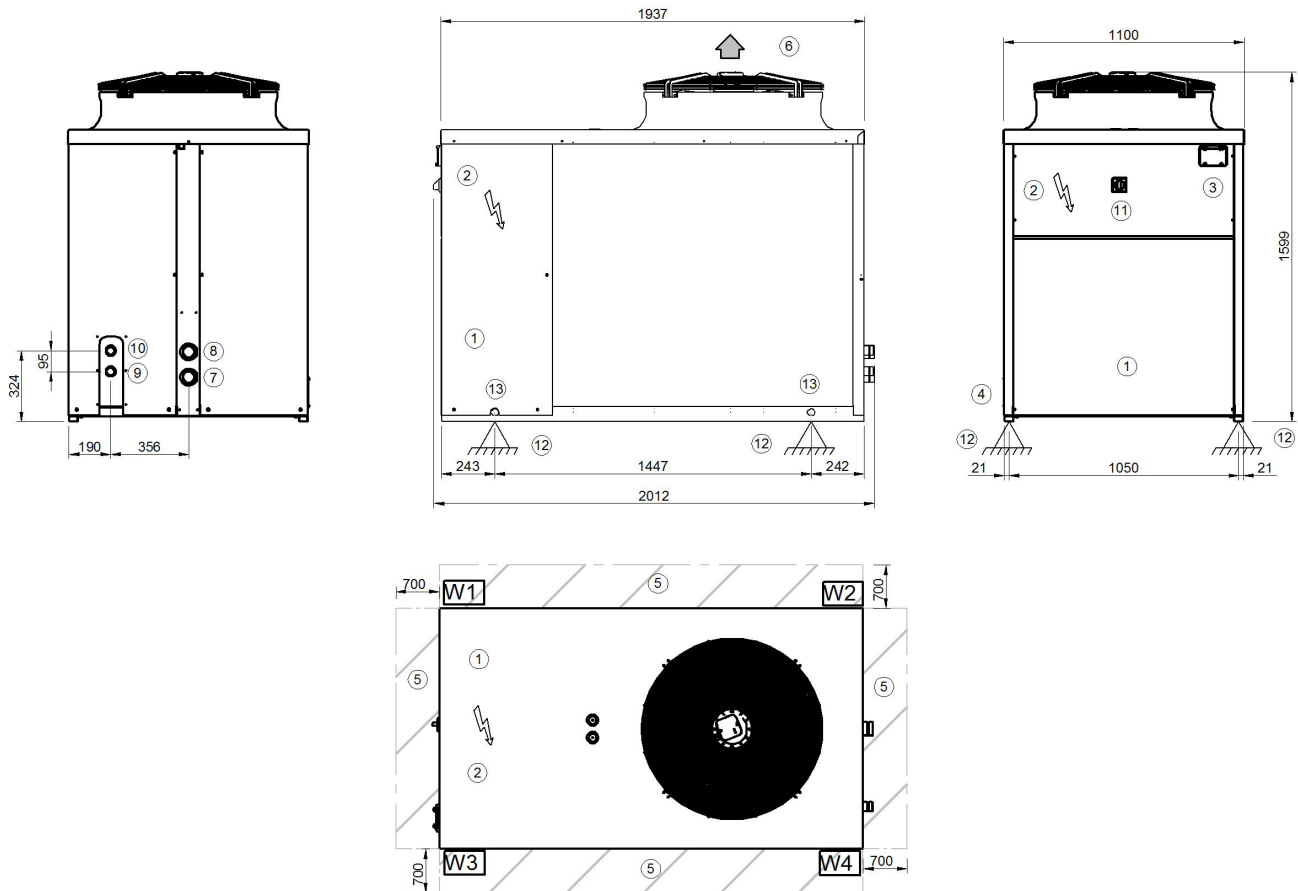


- |                             |  |
|-----------------------------|--|
| 1. Compressor compartment   | 8. Water outlet 2" Victaulic                               |
| 2. Electrical panel         | 9. Desuperheater water inlet 1" 1/4 Victaulic (optional)   |
| 3. Unit control keypad      | 10. Desuperheater water outlet 1" 1/4 Victaulic (optional) |
| 4. Power input              | 11. Main isolator switch                                   |
| 5. Functional spaces        | 12. vibration mounts position                              |
| 6. Air supply               | 13. lifting holes position                                 |
| 7. Water inlet 2" Victaulic |  |

Size		mm	Standard			FREE-COOLING	
			82	102	122	82	102
M		mm	599	598	587	613	611
N		mm	843	842	838	784	786
O		mm	289	289	283	260	260
P		mm	337	336	333	337	336
Length		mm	1771	1771	1771	1771	1771
Depth		mm	680	680	680	680	680
Height		mm	1287	1287	1287	1287	1287
W1		kg	83	85	90	89	90
W2		kg	54	55	57	66	66
W3		kg	98	100	107	118	119
W4		kg	63	64	68	86	87
Operating weight		kg	298	303	323	359	362
Shipping weight		kg	304	309	328	348	351

## Dimensionals and weight distribution WSAT-XEE 162-182-222

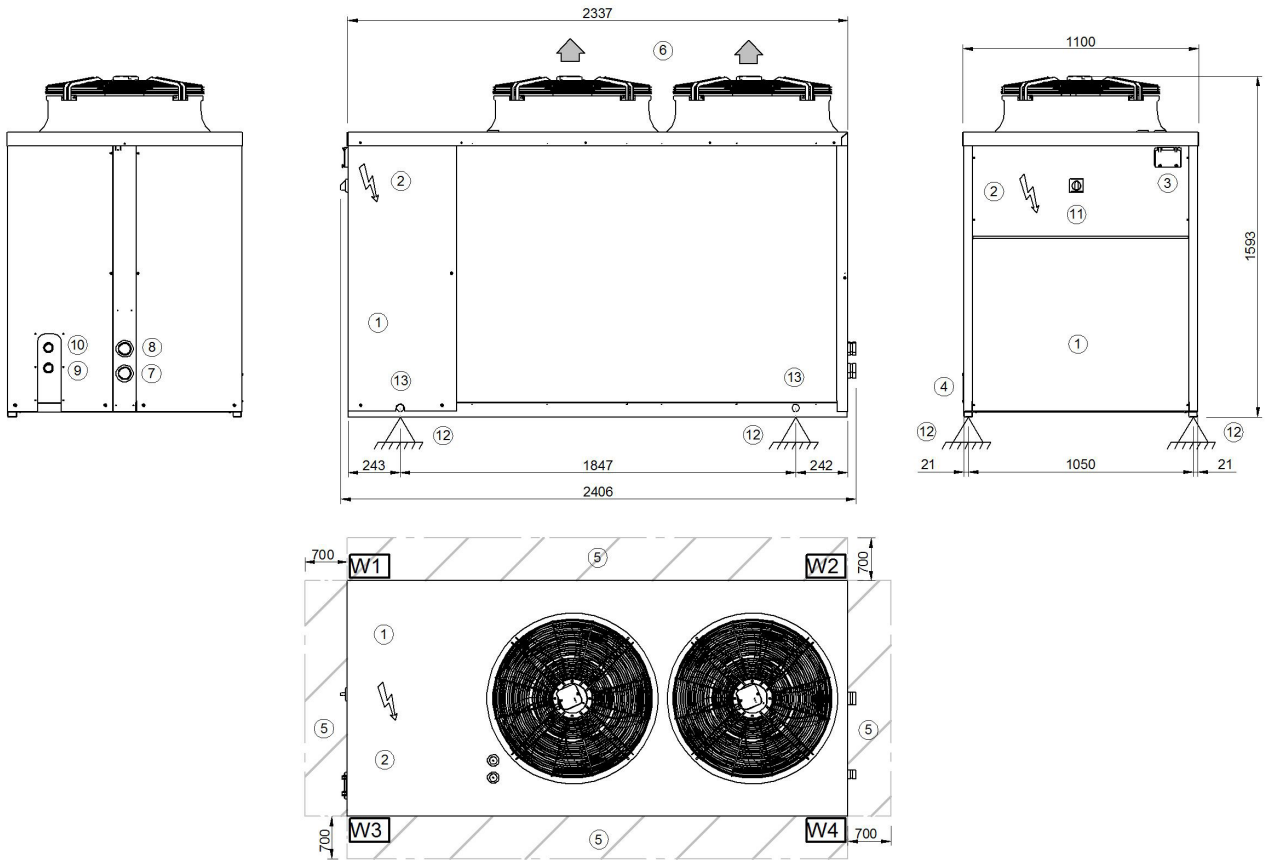
DAAG1162\_222 REV01  
03/12/2013



- |                             |  |
|-----------------------------|--|
| 1. Compressor compartment   | 8. Water outlet 2" Victaulic                               |
| 2. Electrical panel         | 9. Desuperheater water inlet 1" 1/4 Victaulic (optional)   |
| 3. Unit control keypad      | 10. Desuperheater water outlet 1" 1/4 Victaulic (optional) |
| 4. Power input              | 11. Main isolator switch                                   |
| 5. Functional spaces        | 12. vibration mounts position                              |
| 6. Air supply               | 13. lifting holes position                                 |
| 7. Water inlet 2" Victaulic |  |

Size	STANDARD			FREE-COOLING			
	162	182	222	122	162	182	
M	mm	678	675	700	759	706	705
N	mm	1183	1180	1139	1030	1096	1099
O	mm	466	460	442	422	422	423
P	mm	566	566	571	549	559	560
Length	mm	2012	2012	2012	2012	2012	2012
Depth	mm	1100	1100	1100	1100	1100	1100
Height	mm	1599	1599	1599	1599	1599	1599
W1	kg	140	143	141	132	154	156
W2	kg	65	66	72	87	84	85
W3	kg	172	178	184	174	206	209
W4	kg	79	82	94	114	112	113
Operating weight	kg	456	469	490	593	556	563
Shipping weight	kg	464	476	497	507	542	548

### Dimensionals and weight distribution WSAT-XEE 262-302



- |                             |  |
|-----------------------------|--|
| 1. Compressor compartment   | 8. Water outlet 2" Victaulic                               |
| 2. Electrical panel         | 9. Desuperheater water inlet 1" 1/4 Victaulic (optional)   |
| 3. Unit control keypad      | 10. Desuperheater water outlet 1" 1/4 Victaulic (optional) |
| 4. Power input              | 11. Main isolator switch                                   |
| 5. Functional spaces        | 12. vibration mounts position                              |
| 6. Air supply               | 13. lifting holes position                                 |
| 7. Water inlet 2" Victaulic |  |

Size	STANDARD		FREE-COOLING			
	262	302	222	262	302	
M	mm	865	862	654	671	677
N	mm	1143	1138	1062	1036	1038
O	mm	429	426	410	405	408
P	mm	596	593	564	572	571
Length	mm	2406	2406	2406	2406	2406
Depth	mm	1100	1100	1100	1100	1100
Height	mm	1593	1593	1593	1593	1593
W1	kg	134	138	154	150	153
W2	kg	93	95	119	126	127
W3	kg	189	194	215	215	217
W4	kg	131	138	166	180	181
Operating weight	kg	547	561	654	671	677
Shipping weight	kg	556	569	633	649	654

Page intentionally left blank

**CLIVET SPA**

Via Camp Lonc 25, Z.I. Villapaiera - 32032 Feltre (BL) - Italy  
Tel. + 39 0439 3131 - Fax + 39 0439 313300 - info@clivet.it

**CLIVET GROUP UK Limited**

4 Kingdom Close, Segensworth East - Fareham, Hampshire - PO15 5TJ - United Kingdom  
Tel. + 44 (0) 1489 572238 - Fax + 44 (0) 1489 573033 - enquiries@clivetgroup.co.uk

**CLIVET GROUP UK Limited (Operations)**

Units F5&F6 Railway Triangle Ind Est, Walton Road - Portsmouth, Hampshire - PO6 1TG - United Kingdom  
Tel. +44 (0) 2392 381235 - Fax. +44 (0) 2392 381243 - service@clivetgroup.co.uk

**CLIVET ESPAÑA S.A.U.**

C/ Bac de Roda, 36 - 08019 Barcelona - España  
Tel: +34 93 8606248 - Fax +34 93 8855392 - info@clivet.es

Av.Manoteras Nº 38, Oficina C303 - 28050 Madrid - España  
Tel. +34 91 6658280 - Fax +34 91 6657806 - info@clivet.es

**CLIVET GmbH**

Hummelsbütteler Steindamm 84, 22851 Norderstedt - Germany  
Tel. + 49 (0) 40 32 59 57-0 - Fax + 49 (0) 40 32 59 57-194 - info.de@clivet.com

**CLIVET RUSSIA**

Elektrozavodskaya st. 24, office 509 - 107023, Moscow, Russia  
Tel. + 74956462009 - Fax + 74956462009 - info.ru@clivet.com

**CLIVET MIDEAST FZCO**

Dubai Silicon Oasis (DSO), High Bay Complex, Office N. 20, PO BOX 342009, Dubai, UAE  
Tel. + 9714 3208499 - Fax + 9714 3208216 - info@clivet.ae

**CLIVET AIRCONDITIONING SYSTEMS PRIVATE LIMITED**

501/502, Commercial-1, Kohinoor City, Old Premier Compound, Kirol Road, Off L B S Marg, Kurla West - Mumbai 400 070 - India  
info.in@clivet.com

[www.clivet.com](http://www.clivet.com)  
[www.clivetlive.com](http://www.clivetlive.com)

A Group Company of

