



AHU Control Box

AHUKZ-00D - 03D



MANUAL
FOR INSTALLATION,
USE AND MAINTENANCE

Dear Customer,

Congratulations for having chosen this product.

Clivet has been working for years to offer the market systems able to assure maximum and long-lasting wellbeing with high reliability, efficiency, quality and safety.

The company aim is that to offer its customers developed systems that assure the best comfort, reduce energy consumptions and installation and maintenance costs for the entire life-span of the system.

With this manual, we intend giving information useful throughout all phases: from reception, to installation, to use and even disposal, so that such a developed system meets the best installation and use methods.

With kind regards and... good reading!

CLIVET Spa

Contents	pag
Installation manual	5

AHUKZ-00D - 03D		
cod. PE	Size	Power supply
PEVR00075	AHUKZ-00D	220-240V
PEVR00076	AHUKZ-01D	220-240V
PEVR00077	AHUKZ-02D	220-240V
PEVR00078	AHUKZ-03D	220-240V

Page intentionally left blank

Installation manual

Page intentionally left blank

CONTENTS

1 PRECAUTIONS	01
2 INTRODUCTION	02
3 INSTALLATION	
• 3.1 Before Installation	04
• 3.2 Choosing an Installation Site	05
• 3.3 Installation Methods and Size	05
• 3.4 Refrigerant Piping	07
• 3.5 Temperature Sensor Installation.....	10
• 3.6 Electrical Connection.....	11
4 FUNCTION SETTINGS	
• 4.1 Capacity Settings.....	18
• 4.2 Setting the Master/Slave AHU Control Box	18
• 4.3 Address Settings of AHU Control Box	18
• 4.4 Selection of Control by Return Air Temperature or by Outlet Air Temperature	19
• 4.5 Selection of Controllers	20
5 DIP DEFINITION	23
6 ERROR CODE AND QUERY	26

1 PRECAUTIONS

Be sure to conform to local, national, and international laws and regulations.

Read "PRECAUTIONS" carefully before installation.

The following precautions include important safety items. Observe them and remember them at all times.

Keep this manual in a handy place for future reference.

Installation must be performed by authorized personnel, in accordance with NEC and CEC requirements.

The safety precautions listed here are divided into two categories. In both cases, important safety information which should be carefully read is provided.

CAUTION

Failure to observe a caution may result in injury or damage to the equipment.

After completing the installation, make sure that the unit operates properly during start-up. Please instruct the customer on how to operate the unit and keep it properly maintained. Also, inform customers that they should store this installation manual along with the owner's manual for future reference.

WARNING

Be sure that only trained and qualified service personnel are allowed to install, repair, or service the equipment.

Improper installation, repair, and maintenance may result in electric shock, short-circuiting, leaks, fire, or other damage to the equipment.

Install strictly according to these installation instructions.

If installation is defective, it will cause water leakage, electric shocks, and fire.

When installing the unit in a small room, take measures to keep the refrigerant concentration from exceeding allowable safety limits in the event of refrigerant leakage.

Contact the place of purchase for more information. Excessive refrigerant in a closed ambient can lead to oxygen deficiency.

Use the included accessories parts and specified parts for installation.

If not, the unit could fall, or water leakage, electrical shock, or fire could occur.

Install at a strong and firm location which is able to withstand the unit's weight.

If the installation location is not strong enough or installation is not properly completed, the set could fall and cause injury.

The appliance must be installed 2.5 m above the floor. The appliance must not be installed in a laundry room.

Before obtaining access to terminals, all supply circuits must be disconnected.

The appliance must be positioned so that the plug is accessible.

The enclosure of the appliance shall be marked with words or symbols, and indicate the direction of the fluid flow.

For electrical work, follow the local national wiring standards, regulations and these installation instructions. An independent circuit and single outlet must be used.

If electrical circuit capacity is insufficient or there is a defect in the electrical work, it will cause an electrical fire to occur.

Use the specified cable, connect it tightly, and clamp the cable so that no external force will act on the terminal.

Improper connection or fixing could lead to overheating or fire at the connection.

Wiring routing must be properly arranged so that the control board cover is properly secured.

If the control board cover is not properly secured, it could lead to overheating at the connection point of the terminal, fire, or electrical shock.

If the supply cord is damaged, it must be replaced by the manufacturer or its service agent or a similarly qualified person in order to avoid a hazard.

An all-pole disconnection switch with a contact separation of at least 3 mm should be connected in fixed wiring.

When carrying out piping connection, be careful to avoid air from entering the refrigeration cycle.

Otherwise, lower capacity, over-high pressure in the refrigeration cycle, explosion and injury could occur.

Do not modify the length of the power supply cord or use an extension cord, and do not share the single outlet with other electrical appliances.

Otherwise, fire or electrical shock may occur.

Carry out the specified installation work after taking into account strong winds, typhoons or earthquakes.

Improper installation may cause the equipment to fall and cause accidents.

If the refrigerant leaks during installation, ventilate the area immediately.

Toxic gas may be produced if the refrigerant comes into contact with fire.

After completing the installation, check that the refrigerant does not leak.

Toxic gas may be produced if the refrigerant leaks into the room and comes into contact with a source of flame, such as a fan heater, stove, or cooker.

⚠ CAUTION

Ground the air conditioner.

Do not connect the ground wire to gas or water pipes, lightning rods or a telephone ground wire. Incomplete grounding may result in electrical shock.

Be sure to install a ground leakage breaker.

Failure to install a ground leakage breaker may result in electrical shock.

Connect the ODU wires first, and then connect the AHU control box wires.

You are not allowed to connect the air conditioner to a power source (including wiring and piping) until the air conditioner installation is completed.

While following the instructions in this installation manual, install drain piping in order to ensure proper drainage and insulate the piping in order to prevent condensation from occurring.

Improper drain piping may result in water leakage and property damage.

Install the AHU control box and ODUs, power supply wiring, and connecting wires at least 1 m away from televisions or radios in order to prevent image interference or noise.

Depending on the radio waves, a distance of 1 m may not be sufficient enough to eliminate the noise.

The appliance is not intended for use by young children or infirm persons without supervision.

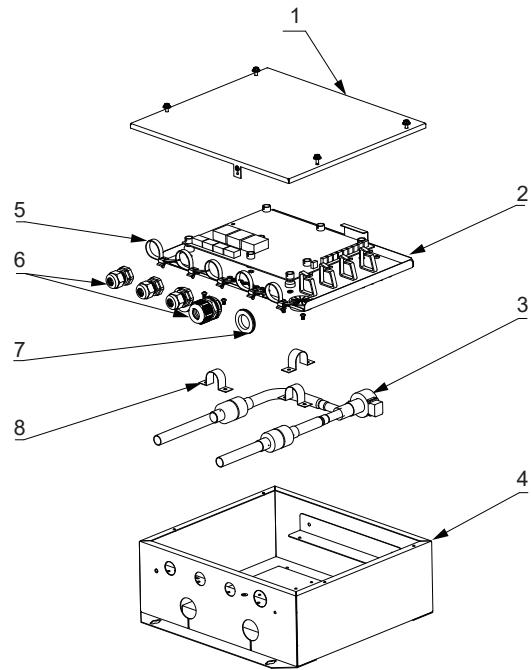
Young children should be supervised to ensure that they do not play with the appliance.

2 INTRODUCTION

The AHU control box can be connected to the heat pump/heat recovery ODU and the third party AHU. Every third party AHU can be connected to one AHU control box or to several AHU control boxes in a parallel connection (up to four). This manual describes how to install and operate an AHU control box.

Using an AHU control box, a unit can be controlled by either return air temperature or by outlet air temperature.

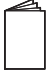

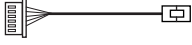




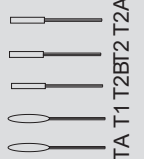
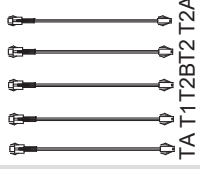

- When return air temperature control is selected, the connected AHU can be considered to be a standard IDU.
- Users can opt to use the factory controller or a third party controller
- The AHU control box has an input port of 0-10V. A third party controller is required to provide 0-10V of input. The system capacity requirement or temperature can be set based on 0-10V input. For details, refer to Section 5.2.2 Setting Capacity Output Mode via a Third Party Controller (Type 1) and Section 5.2.3 Setting Temperature Mode via a Third Party Controller (Type 2)



NO.	Part and components
1	Electric control box cover assembly
2	E-part box assembly
3	Electronic expansion valve assembly
4	Electric control box welding assembly
5	Clip
6	Cable gland
7	Rubber ring
8	Fixing board,popes

3 INSTALLATION

Accessories

NAME	SHAPE	QUANTITY	USE
Installation & owner's manual		1	_____
Wired controller WDC-86KD		1	Wired controller
Electronic expansion valve adapter cable group		1	_____
Fixed clamp of temperature sensor		3	_____
Sleeve		3	_____
Screw ST3.9x25		8	Secure the installation board
Plastic expanded tube		8	_____
Temp.sensor		5	_____
Temp.sensor connecting wire group		5	_____
Tie wrap		5	_____

Installation layout

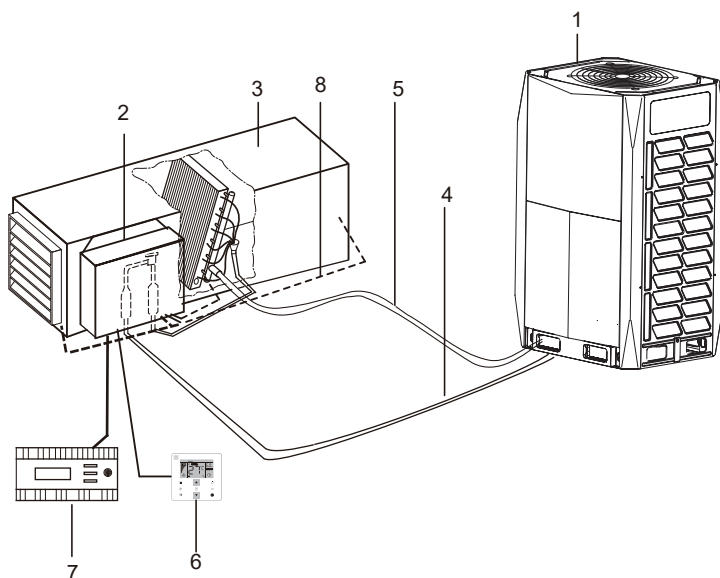


Figure 3-1

Table 3-2 Names and functions

No.	Name	Description
1	ODU	Outdoor units
2	AHU control box	-
3	Air handling unit (AHU)	Field supply
4	Liquid pipe	Field supply
5	Gas pipe	Field supply
6	Wired controller	Factory controller
7	Third party controller	Field supply
8	Temperature sensor wiring	-

3.1 Before Installation

- An AHU control box can be connected to a heat pump ODU or a heat recovery ODU.
- When an AHU control box is connected to a heat recovery ODU, the system is not allowed to connect to AHU only. The IDU/ODU capacity ratio of common IDUs should be 50%-100%, that of the AHU control box should be 0%-50%, and that of the entire system should be 50%-100%.
- When a heat pump ODU is employed and the AHU control box is connected to AHU indoors: If no common IDUs are also connected, the IDU/ODU capacity ratio should be 50%-100%; if common IDUs are also connected, the IDU/ODU capacity ratio should be 50%-100%, that of the AHU control box should be 0%-50%, and that of the entire system should be 50%-100%.
- When a heat recovery ODU is employed and the AHU control box is connected to a FAPU, the unit can only be controlled by the outlet air temperature. The FAPU capacity of the entire system should not exceed 30% of the ODU capacity.
- When a heat pump ODU is employed and the AHU control box is connected to a FAPU, the unit can only be controlled by the outlet air temperature. If no common IDUs are connected, the IDU/ODU capacity ratio should be 50%-100%; if common IDUs are also connected, the FAPU capacity of the entire system should not exceed 30% of the ODU capacity.

When an AHU control box is connected to a mini VRF ODU, only return air temperature control can be selected (outlet air temperature control cannot be selected)

Selecting an AHU control box that matches AHU:

The following parameters and restrictions stipulated in Table 3-3 and table 3.4 must be considered when selecting the AHU control box. Otherwise, it may adversely affect the ODU's service life, operating range, and reliability.

NOTE

If the total capacity of IDUs exceeds the rated capacity of the ODU, the cooling and heating performance may be reduced when IDUs are in operation.

Table 3-3

Model	Setting Cooling Capacity (HP)	AHU Capacity (kW)	Internal volume of heat exchanger (dm ³)	Reference Air Volume (m ³ /h)	Max. air Volume (m ³ /h)
AHUKZ-00D	0.8	1.8-2.8	0.35-0.4	500	600
	1	2.8-3.6	0.4-0.45	550	650
	1.2	3.6-4.5	0.45-0.55	600	750
	1.7	4.5-5.6	0.55-0.65	750	900
	2	5.6-7.1	0.65-0.75	850	1000
	2.5	7.1-8	0.75-1.2	1000	1300
AHUKZ-01D	3	8-9	1.2-1.66	1300	1800
	3.2	9-11.2	1.66-2.06	1400	2400
	4	11.2-14	2.06-2.58	1700	3000
AHUKZ-02D	5	14-16	2.58-3.32	2100	3800
	6	16-20	3.32-3.69	2700	4300
	8	20-25	3.69-4.61	3000	5400
AHUKZ-03D	10	25-30	4.61-5.53	3700	6400
	12	30-36	5.53-6.64	4500	7700
AHUKZ-03D	14	36-40	6.64-7.37	5400	8600
	16	40-45	7.37-8.29	6000	9700
	20	45-56	8.29-9.21	7500	12000

Note: The evaporation temperature (cooling) is 6°C, the ambient temperature is 27°C DB/19°C WB, and the superheat degree is 5°C.

When the capacity of AHU exceeds 56 kW, up to four AHU control boxes can be connected in parallel to one AHU. See Table 3-4 for recommended parallel connection methods.

Table 3-4

Recommended Parallel Combinations	AHU Capacity (kW)	Internal volume of heat exchanger (dm ³)	Reference Air Volume (m ³ /h)	Max. air Volume (m ³ /h)
AHUKZ-02D+AHUKZ-02D	56-65	9.63-11.56	8200	14000
AHUKZ-02D+AHUKZ-03D	65-70	11.03-12.54	9400	15100
AHUKZ-02D+AHUKZ-03D	70-76	11.90-13.30	10200	16400
AHUKZ-02D+AHUKZ-03D	76-80	12.62-14.01	10800	17200
AHUKZ-02D+AHUKZ-03D	80-90	13.40-15.26	11800	19400
AHUKZ-03D+AHUKZ-03D	90-100	15.26-17.80	13400	21600
AHUKZ-03D+AHUKZ-03D	100-112	17.51-19.61	15000	24100
AHUKZ-02D+AHUKZ-02D+AHUKZ-03D	112-125	18.85-21.36	16700	27000
AHUKZ-02D+AHUKZ-03D+AHUKZ-03D	125-140	21.19-24.07	18700	30200
AHUKZ-03D+AHUKZ-03D+AHUKZ-03D	140-155	23.74-26.62	21000	33400
AHUKZ-02D+AHUKZ-02D+AHUKZ-03D+AHUKZ-03D	155-175	26.20-29.36	23700	37800
AHUKZ-02D+AHUKZ-03D+AHUKZ-03D+AHUKZ-03D	175-198	29.02-32.84	26200	42700
AHUKZ-03D+AHUKZ-03D+AHUKZ-03D+AHUKZ-03D	198-225	33.17-37.15	30000	48600

Perform checks upon completion of installation, and pay extra attention to the following items:

- Whether the temperature sensor is properly installed.
- Whether AHU control boxes are properly secured.
- Whether electrical connections meet specifications.
- Whether wires and pipes are correctly connected.
- Whether AHU control boxes are properly grounded.
- Whether capacity DIP switches are properly set.

3.2 Choosing an Installation Site

The following conditions must be met:

If the AHU control box is installed outdoors, take waterproofing measures to protect it from rainwater.

Avoid direct sunlight, as it will heat the AHU control box and shorten its service life, hence affecting operation.

Select a level, solid-mounting surface.

Do not install the AHU control box on or above the surface of the ODU.

Reserve some space in front of the AHU control box for future maintenance.

Ambient temperature: -25°C to +52°C

Inlet air temperature range on AHU coil (T1) :

Cooling: 17°C-43°C

Heating: 5°C-30°C

IP Protection Degree: IP20 (after proper installation)

⚠ CAUTION

Do not install or operate AHU control boxes in the following indoor environments:

- Places with fossil fuels (such as kitchens containing oil or natural gas)
- Places containing sulphuric gas, such as a hot spring
- Places exposed to strong electromagnetic fields
- Places with large voltage fluctuations
- Places where acidic or alkaline steam is present
- Places with high concentrations of vapour or spray

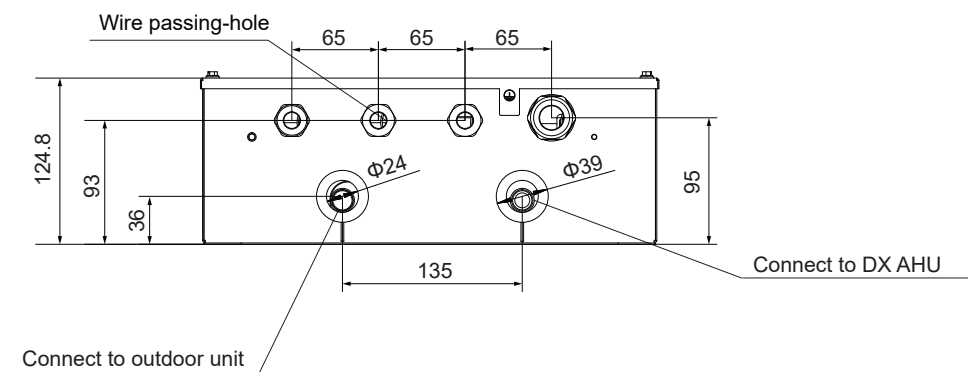
3.3 Installation Methods and Size

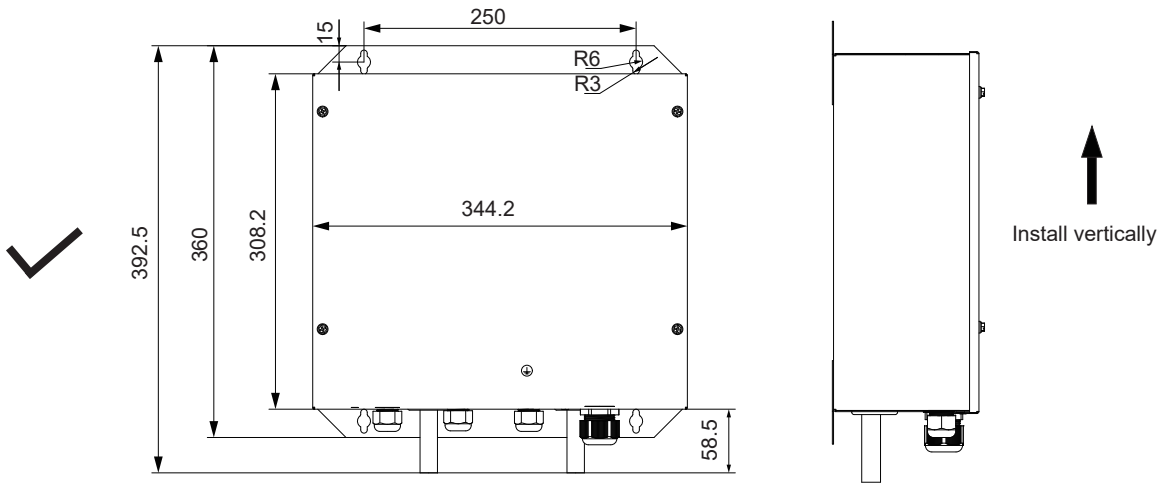
For installation of the field supply AHU, refer to the AHU installation manual.

The AHU control box can be installed in two ways:

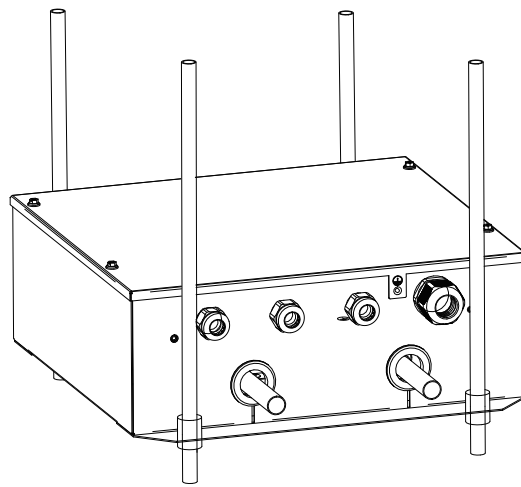
1. When the AHU control box's EEV remains with the AHU control box, the AHU control box must be installed vertically, as shown in Figure 3-2.
2. When the AHU control box's EEV is split from the AHU control box, the AHU control box can be installed vertically or horizontally, but the split EEV must be vertical, as shown in Figure 3-2.

Units: mm

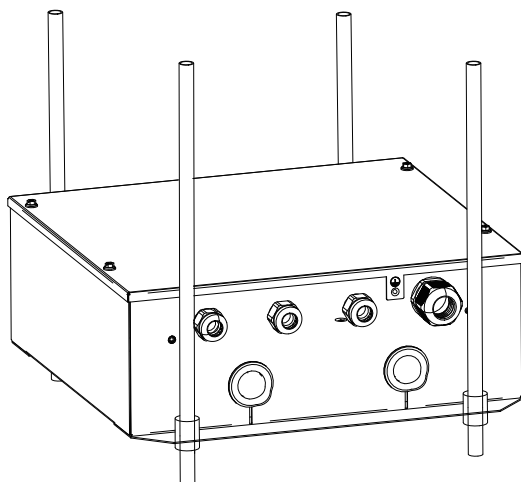




Right installation way



Wrong installation way



Right installation way

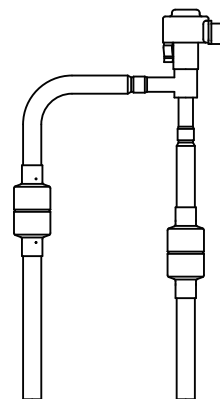


Figure 3-2

How to remove EEV from the AHU control box.
The EEV may be removed from the AHU control box and positioned in an external location. Follow these steps to remove the EEV from the box.

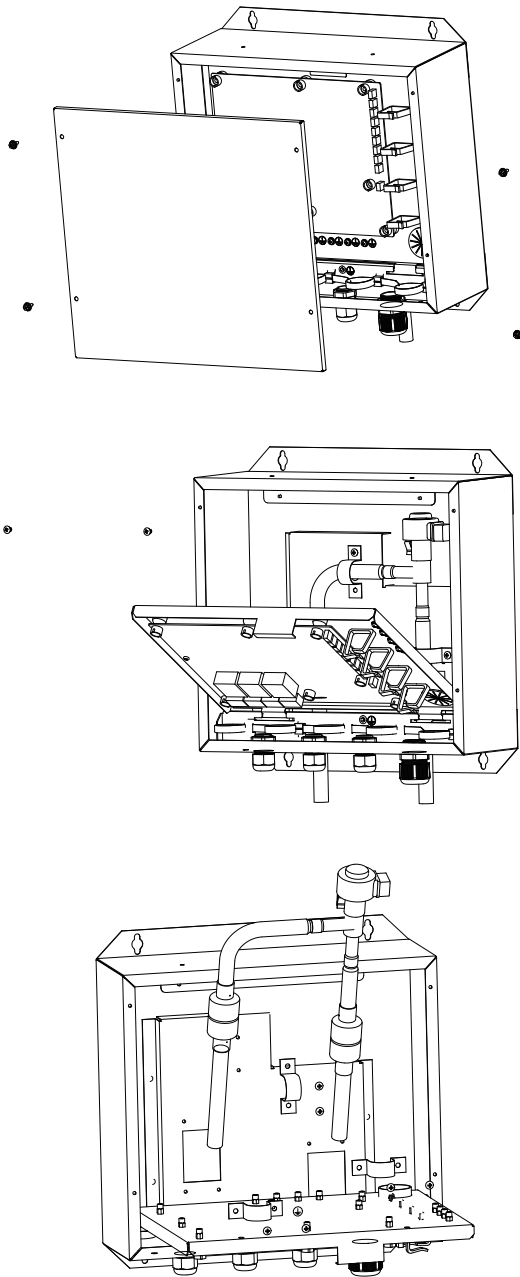


Figure 3-3

3.4 Refrigerant Piping

3.4.1 Material and Size of the Piping

Only seamless phosphorus-deoxidized copper piping that complies with all applicable laws should be used. Temper grades and minimum thicknesses for different diameters of piping are specified in Table 3-5.

Table 3-5

Piping Outer Diameter (mm)	Temper	Min. Thickness (mm)
Φ6.35	O (annealed)	0.8
Φ9.53		0.8
Φ12.7		0.8
Φ15.9		1.0
Φ19.1		1.0
Φ22.2	1/2H (half hard)	1.2
Φ25.4		1.2
Φ28.6		1.3
Φ31.8		1.5
Φ38.1		1.5
Φ41.3		1.5
Φ44.5		1.5
Φ54.0		1.8

Note: O: coiled piping; 1/2H: straight piping.

When the required pipe sizes (in inch) are not available, other diameters (in mm) may also be used, provided that the following is taken into account:

- Select the pipe size nearest to the required size.
- Use suitable adapters for the change-over from inch to mm pipes (field supply).

3.4.2 Pipe Limits

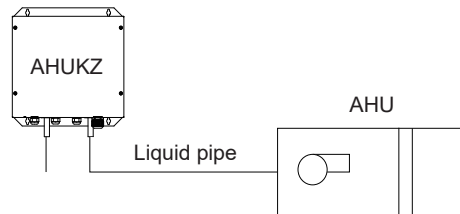


Figure 3-4

1. The connecting distance of each control box and AHU should not be more than 8 m. If the AHU control box and EEV are to be installed apart, the distance between them must be within 5 m.

2. The maximum allowed piping length between the ODU and the AHU control box depends on the ODU model.

3.4.3 Welding Precautions

1. Nitrogen must be applied before welding.

Failure to apply nitrogen in advance may result in a large amount of oxide residue on the interior surface of the copper tube, which will affect the normal operation of the valve body and compressor, and may damage the compressor in serious cases.

2. When performing welding, use the pressure relief damper to keep the nitrogen pressure in the pipe at the range of 0.02-0.03 Mpa (as if the air is blowing gently on the skin).

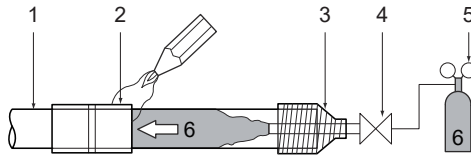


Figure 3-5

1	Refrigerant piping
2	Part to be brazed
3	Nitrogen connection
4	Hand-operated valve
5	Pressure relief damper
6	Nitrogen

3.4.4 AHU Control Box Installation

1. Drill four holes where you want to install the box, with the positions of the holes shown below. Secure the AHU control box using screws.

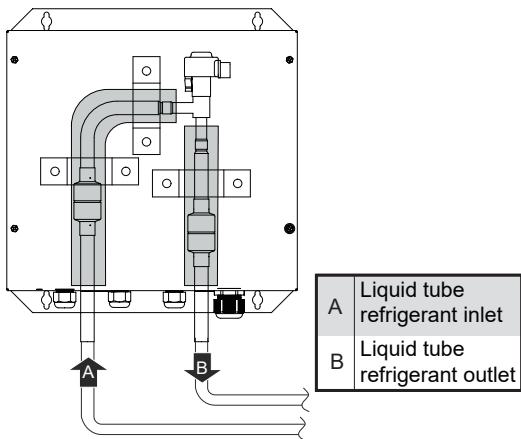


Figure 3-6

2. Remove seals from the inlet and outlet.
3. Weld pipes on site

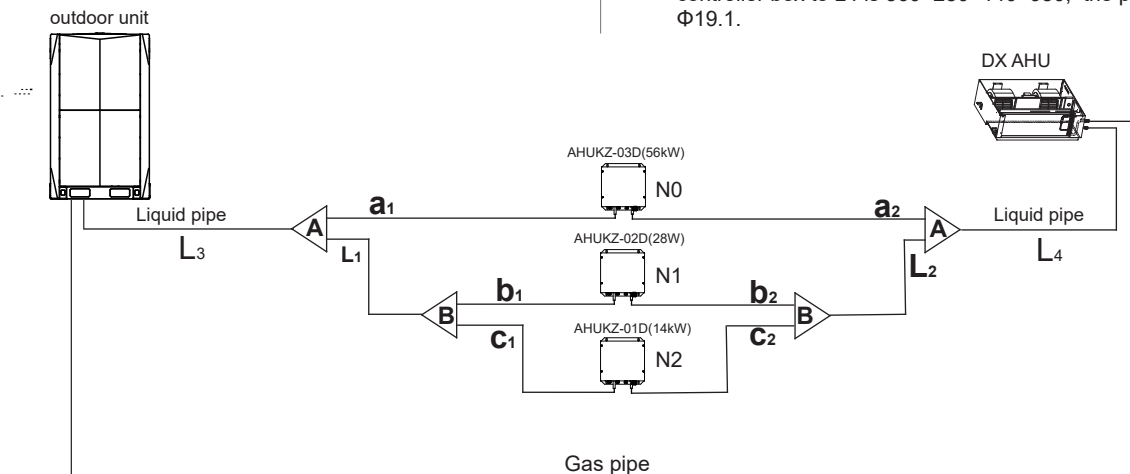


Figure 3-7

NOTE

When welding pipes at the AHU control box, the valve body and filter should be cooled with a wet cloth to prevent damage to the EEV due to excessively high temperatures.

4. After the pipes are installed, insulate the pipes.

5. Pipe diameter requirements for the AHU control box are as follows:

Table 3-6

Control Box	AHUKZ -00D	AHUKZ -00D	AHUKZ -01D	AHUKZ -02D	AHUKZ -03D
Capacity A($\times 100W$)	$A < 56$	$56 \leq A \leq 90$	$90 < A \leq 200$	$200 < A \leq 360$	$360 < A \leq 560$
Liquid Side (mm)	$\Phi 6.35$	$\Phi 9.53$	$\Phi 9.53$	$\Phi 12.7$	$\Phi 15.9$

For installation of other piping and branch pipes, refer to the ODU installation manual.

3.4.5 Pipe classification

Table 3-7

Pipe name	Code (refer to Figure 3-7)
AHU Control box main pipe	L1, L2, L3, L4
AHU Control box aux. pipe	a1, a2, b1, b2, c1, c2
AHU Control box branch joint assembly	A, B

Note:

The connecting distance of each control box and DX AHU should not more than 8 m

$$a2 + L4 \leq 8m \quad b2 + L2 + L4 \leq 8m \quad c2 + L2 + L4 \leq 8m$$

3.4.6 Size of joint pipe for R410A DX AHU

Table 3-8

Capacity of AHU control box A($\times 100W$)	Size of main pipe (mm)	
	Liquid side (mm)	Available branch joint
$200 < A \leq 450$	$\Phi 12.7$	FQZHD-01
$450 < A \leq 660$	$\Phi 15.9$	FQZHD-02
$660 \leq A < 1350$	$\Phi 19.1$	FQZHD-03
$1350 \leq A < 1800$	$\Phi 22.2$	FQZHD-04
$1800 \leq A$	$\Phi 25.4$	FQZHD-04

e.x. 1: Refer to Figure 3-7, the capacity of downstream controller box to L4 is $560 + 280 + 140 = 980$, the pipe is $\Phi 19.1$.

3.4.7 Example

Take (56+28+14)kW that composed by three control boxes as an example to clarify the pipe selection.

Table 3-9

Controller box capacity A (×100W)	AHUKZ-01D 90≤A≤200	AHUKZ-02D 200<A≤360	AHUKZ-03D 360<A≤560
Liquid side(mm)	Φ9.53	Φ12.7	Φ15.9

A. The branch pipe at the controll box.

There are a~c branch pipe at the control box, the branch pipe diameter should be select as Table. 3-6. The pipe a1/a2 diameter is Φ15.9, the pipe b1/b2 diameter is Φ12.7, the pipe c1/c2 diameter is Φ9.53.

B. Main pipe at the control box (Refer to Table. 3-8)

1) The main pipe L₁/L₂ with N₁, N₂ downstream control box that total capacity is 280+140=420, the pipe L₁ diameter is Φ12.7, thus select FQZHD-01 for the branch joint B.

2) The main pipe L₃/L₄ with N₀, N₁, N₂ downstream control box that total capacity is 560+280+140=980, the pipe L₃/L₄ diameter is Φ19.1, that select FQZHD-03 for the branch joint A.

3) The branch joint A with N₀~N₂ downstream control box that total capacity is 560+280+140=980, thus select FQZHD-03 for the branch joint A.

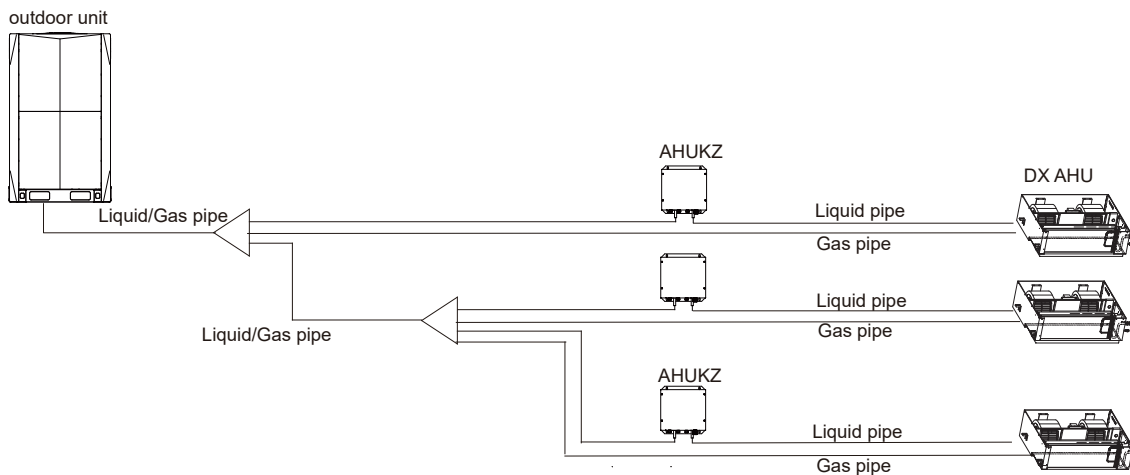
Note:

1) The pipe L₃ diameter is still related to outdoor unit, take the large one for your selection.

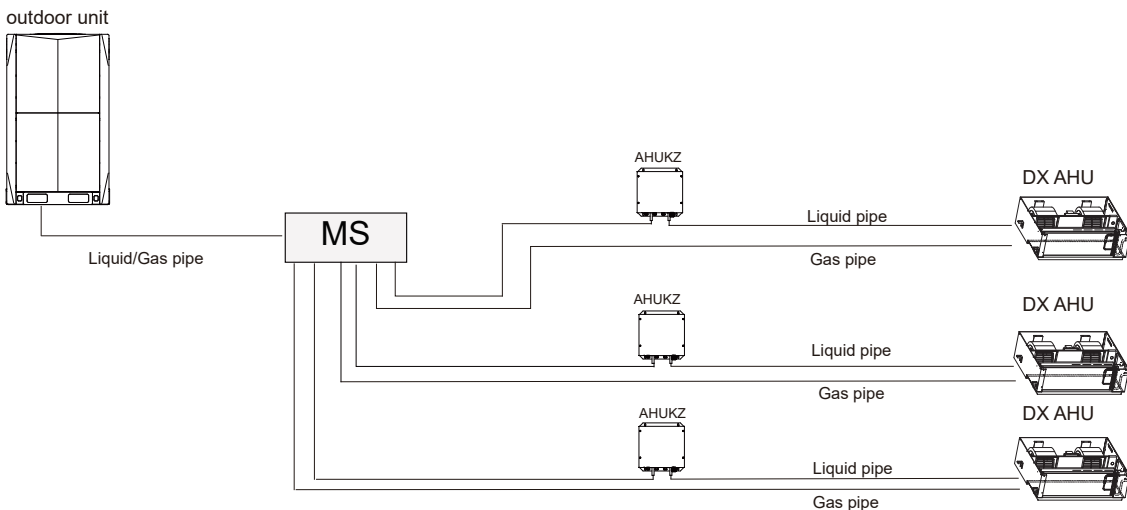
2) The gas pipe should be confirmed according to the outdoor unit installation manul.

3.4.8 Other piping methods for example.

Single VRF DX AHU Control Box connect to one AHU



Piping to heat recovery outdoor unit.



Note: The maximum capacity of every AHU connected to MS box should not be exceed 28Kw.

3.5 Temperature Sensor Installation

There are five temperature sensors (T1, TA, T2A, T2, and T2B) and five extension wires in the accessories, as shown in Figure 3-8.

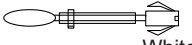

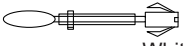
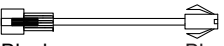
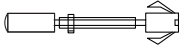
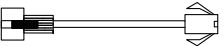

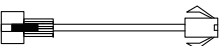

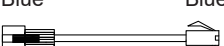
Temperature sensor	Extension wire
T1  White	White  White
TA  White	Black  Black
T2  Black	Black  Black
T2A  Blue	Blue  Blue
T2B  Red	Red  Red



Figure 3-8

T2A is an AHU evaporator inlet temperature sensor; it should be installed at the inlet pipe of the evaporator.

T2 is an AHU evaporator intermediate temperature sensor; it should be installed at the intermediate pipe of the evaporator.

T2B is an AHU evaporator outlet sensor; it should be installed at the outlet pipe of the evaporator.

TA is an outlet air temperature sensor and therefore does not need to be installed if outlet air temperature control is not selected.

Mounting location of T2A, T2, and T2B tube temperature sensors

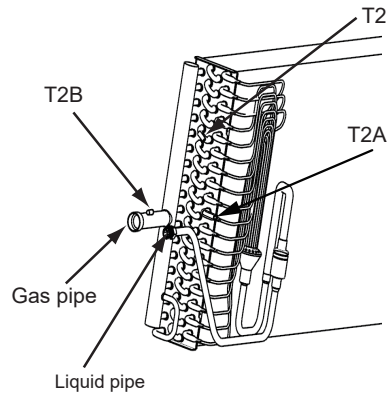


Figure 3-9

Mounting location for temperature sensors:

T1: If the Capacity mode 0-10Vdc (by third party controller) or the Supplied Air Temperature mode (local or by third party controller) is selected, T1 should be installed in order to detect the air inlet temperature on the internal-dx-coil

If the Return Temperature Mode (local or by third party controller) is selected, T1 should be installed in order to detect the return air temperature from the indoor ambient.

Installation of tube temperature sensors T2A, T2 and T2B

1. Weld the sleeves of the temperature sensors at the designated mounting location.

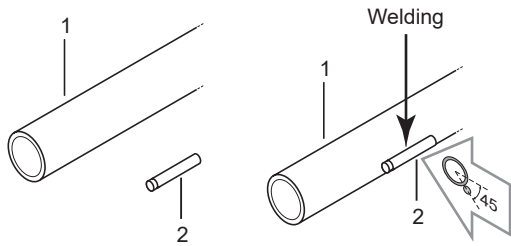


Figure 3-10

2. Insert the temperature sensor into the sleeve after inserting the buckle.

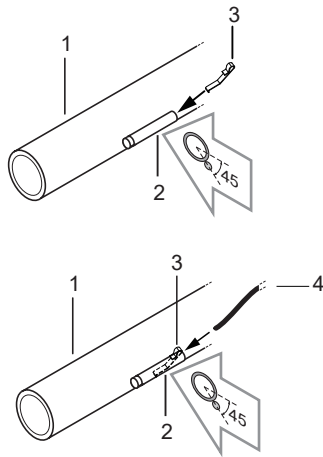


Figure 3-11

2. Apply insulation materials and secure with cable ties.

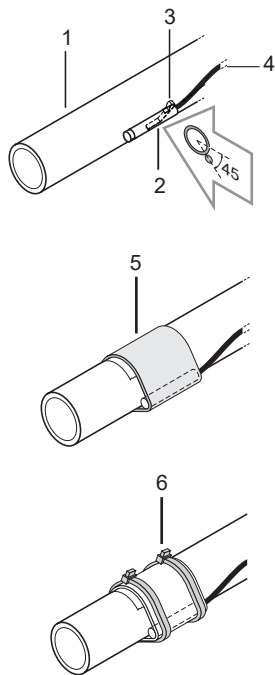


Figure 3-12

Mounting location of the T1 sensor for an AHU controlled with Return Temperature Mode (local or by third party controller). In case of Capacity mode 0-10Vdc (by third party controller) or the Supplied Air Temperature mode (local or by third party controller) place the T1 upstream the inlet dx coil.

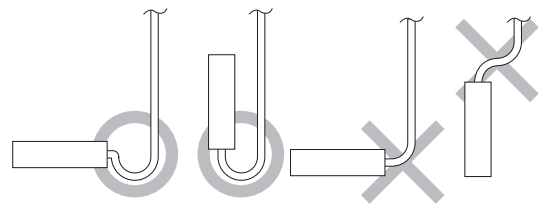
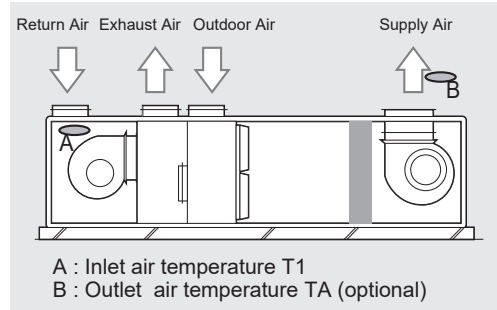


Figure 3-13

Using an extension cord with the temperature sensor to allow long distance connection

The attached extension cord of the temperature sensor is 9 m long. If an extension cord is required, connect one end of the cord to the AHU control box and the other end to temperature sensor mounted on the AHU.

3.6 Electrical Connection

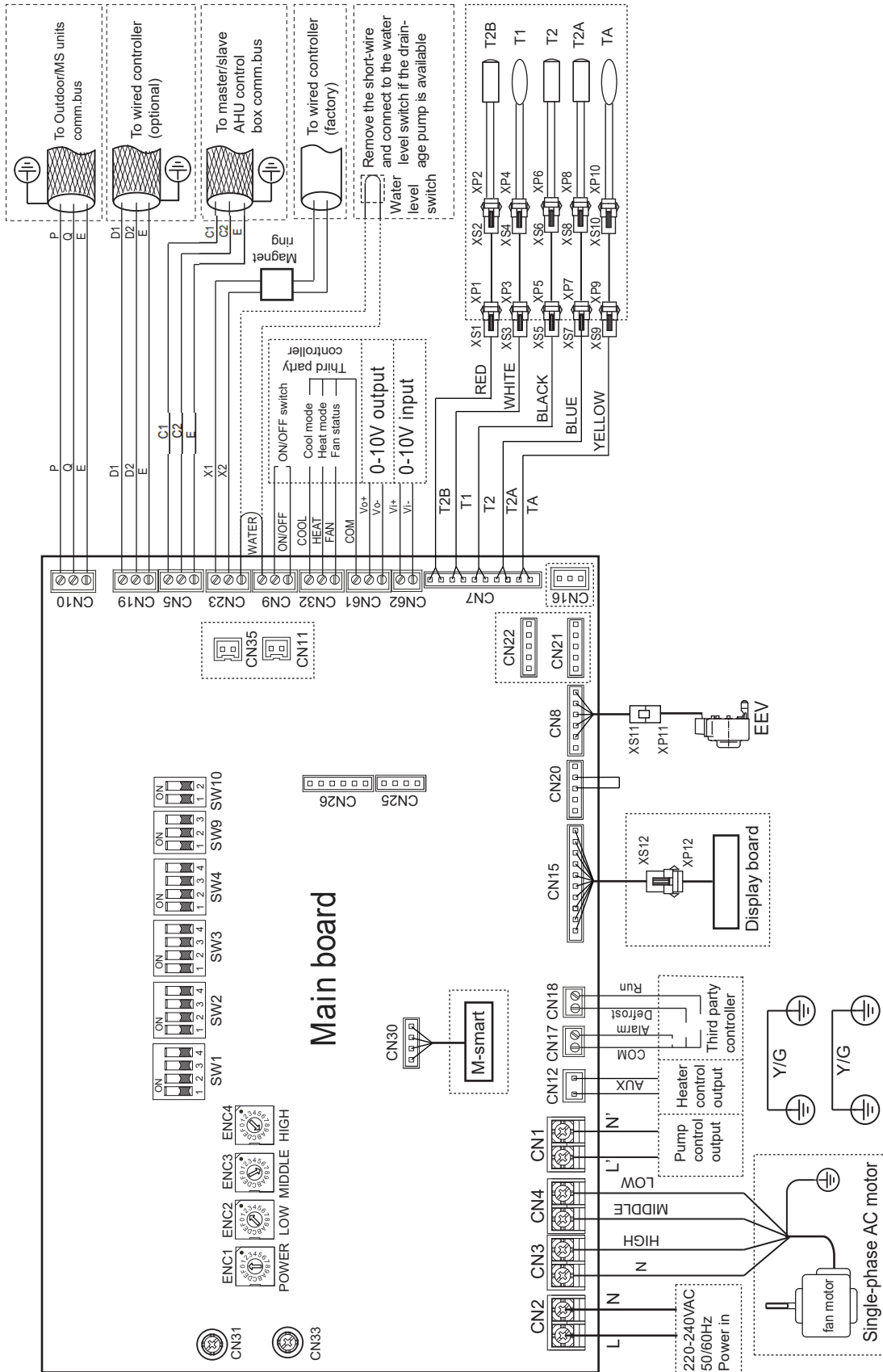
⚠ CAUTION

1. The ODU and AHU control box should use separate power supplies with rated voltage. However, the AHU control box and other AHUs in the same system should use the same power.
2. The external power supply to the air conditioner should have ground wiring, which is linked to the ground wiring of the AHU control box and ODU.
3. The wiring work should be completed by qualified persons according to circuit drawing.
4. The fixed connecting lines must be equipped with at least 3 mm of electric shock spacing.
5. A leakage protector should be installed in accordance with the local electrical standard.
6. Be sure to properly locate the power wiring and the signal wirings to avoid causing cross-disturbance and their contact with the connecting pipe or stop valve body. Generally, do not twist two wirings together unless the joint is well-soldered and covered with insulator tape.
7. Do not turn on the power until the electrical wiring have been correctly completed.

3.6.1 Circuit Diagram

Please refer to the circuit diagram for wiring.

Circuit diagram



Specifications are subject to change without notice.

Figure 3-14

3.6.2 Wiring Inside the Electric Control Box

For connections to the AHU control box : Pull the wires inside through the screw nut and fasten the nut firmly to ensure a good pull relief and water protection.

The cables require an additional pull relief. Strap the cable with the installed tie wrap.

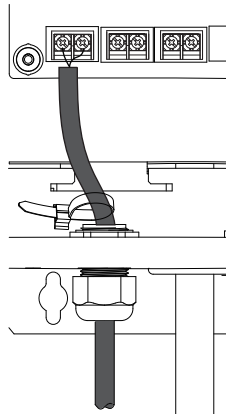


Figure 3-15

Note:

The connection with the terminal block must be secure. Failure to do so may result in heating due to poor contact, and even fire in serious cases.

The power cable and the communication cable should be separated by at least 50 mm to prevent electromagnetic interference.

Connect the cables to the main board in accordance with the circuit diagram shown in Figure 3-14.

Connect cables in accordance with the following table.

Table 3-10

	Description	Connected To	Cross Section (mm ²)	Max. Length (m)	Specification
L, N	Power supply	Power supply	*	-	220-240V 1Ph 50/60hz
LOW/MID-DLE/HIGH, N	Fan speed signal	AHU fan	#	-	220-240V 1Ph 50/60hz
EEV	Electronic expansion valve	Electronic expansion valve	-	5	0-12VDC
T1	Inlet air temperature	AHU		10	0-5VDC
TA	Outlet air temperature	AHU heat exchanger		10	0-5VDC
T2A	Heat exchanger inlet temperature	AHU heat exchanger		10	0-5VDC
T2	Heat exchanger intermediate temperature	AHU heat exchanger		10	0-5VDC
T2B	Heat exchanger outlet temperature	AHU		10	0-5VDC
P, Q, E	Communication cable connected to ODU/MS	ODU / MS	0.75	1200	0-5VDC
X1, X2	Wired controller	Factory controller		200	18VDC
D1, D2, E	Wired controller (optional)	Factory controller		1200	0-5VDC
C1,C2,E	Communicate with AHU control box	Master/slave AHU control box		1200	0-5VDC
ON/OFF	Remote on/off	Third party controller		**	0-12VDC
cool	Cooling signal	Third party controller			0-12VDC
heat	Heating signal	Third party controller			0-12VDC
fan	Fan status	Third party controller			0-12VDC
alarm	Alarm signal	Third party controller			0-24VDC/AC
defrost	Defrosting/anti-cold wind signal	Third party controller			0-24VDC/AC
run	Operating Status	Third party controller			0-24VDC/AC
AUX	Electric auxiliary heater signal	Electric auxiliary heater			0-12VDC

*Refer to Cross section of main power cable

#Refer to Fan wiring

**The maximum length depends on the external device that is connected (controller, relay ...).

3.6.3 Temperature Sensor Wiring

The temperature sensors come with two wiring methods, by dialling DIP switch SW9-2.

Type	SW9	
1	<p>ON 1 2 3 SW9</p>	SW9-2 is 0: One or more AHU control boxes are connected in parallel to one AHU; one coil is connected to multiple control boxes; (shielding faults from slave unit's temperature sensors T1, T2, T2A, TA and T2B) (factory default)
2	<p>ON 1 2 3 SW9</p>	SW9-2 is 1: Multiple AHU control boxes are connected in parallel. In the event of multiple coils, one coil is connected to one control box; (shielding faults from slave unit's temperature sensor T1, TA)

Type 1: One or more AHU control boxes are connected in parallel to one AHU, and the T2A, T2 and T2B sensors of any coil of AHU are connected to the master AHU control box. The T1 and TA sensor is connected to the main board of the master AHU control box.

Schematic diagram:

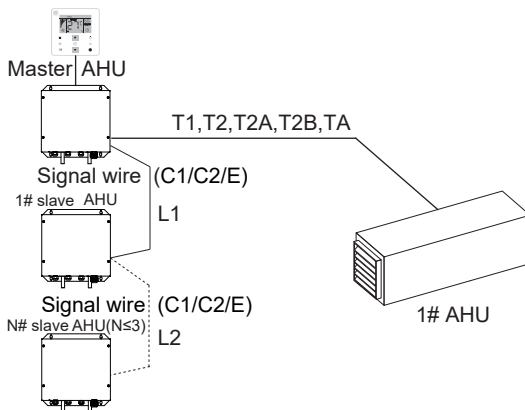


Figure 3-16

Type 2: Multiple AHU control boxes are connected in parallel. Each coil is connected to an AHU control box. The T2A, T2 and T2B sensors of each coil are connected to the main board of the corresponding AHU control box. The T1 and TA sensor only needs to be connected to the master AHU control box.

Schematic diagram:

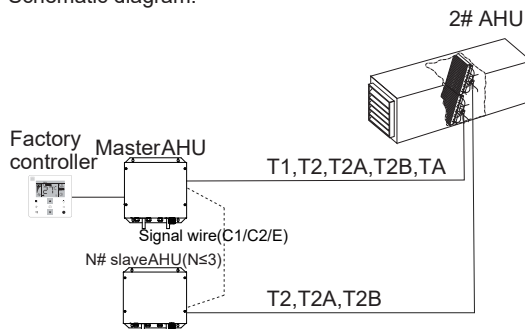


Figure 3-17

3.6.4 Cross section of main power cable

Please select the main power cable. Refer to Table 3-11 and Table 3-12.

Table 3-11

Model		AHUKZ-00D~01D
Power	Phase	Single-phase
	Voltage and Frequency	220-240V - 50/60Hz
AHU Control Box Power Wire (mm ²)		2.0 (<50 m)

Table 3-12

Model		AHUKZ-02D~03D
Power	Phase	Single-phase
	Voltage and Frequency	220-240V - 50/60Hz
AHU Control Box Power Wire (mm ²)		4.0 (<50 m)

CAUTION

1. Specific wiring requirements must adhere to local wiring regulations.
2. Use only copper wires.
3. Be sure to use specified wires for connections and ensure that no external force is imparted to terminal connections. If connections are not firmly secured, overheating or fires may result.
4. The wire size is the minimum value for metal conduit wiring. If the voltage drops, use a wire that is one rank thicker in diameter. Make sure the power-supply voltage does not drop by more than 10%.
5. Power must be unified supply to all AHU control boxes in the same system.
6. A breaker for current leakage must be attached to the power supply. If no ground leakage breaker is installed, it may cause electrical shock.
7. Never connect the main power source to a terminal block of the communication line. If connected, electrical parts will burn out.

3.6.5 Fan Wiring

Fan signal:

The AHU control box has two output modes to control fan speed: an analog signal output LOW/MIDDLE/HIGH and an output of 0-10V, respectively. The output mode is selected based on the actual on-site needs of the AHU.

Table 3-13

Fan Signal	LOW/ MIDDLE/HIGH	0-10V output
Low	LOW	#
Middle	MIDDLE	#
High	HIGH	#

#: Refer to 0-10V output control

0-10V Output control




The DIP switch numbers of ENC2, ENC3 and ENC4 correspond to different voltage outputs. Depending on the DIP switch numbers of SW1-2, there are two control modes available, which are gear 1 and gear 3 fan speeds, respectively.

1. SW1-2 dialled to "OFF" (factory default)

ENC2, ENC3 and ENC4 are respectively defined as low, middle and high voltage output signals. By default, ENC2 is set to 2V, ENC3 is set to 7V, and ENC4 is set to A (A is 10V). See the table below for their corresponding relations:

Table 3-14

0-10V output Voltage

ENC2  (2V Factory Default)				ENC3  (7V Factory Default)						ENC4  (10V Factory Default)						
Fan output voltage of Low speed				Fan output voltage of Middle speed						Fan output voltage of High speed						
Dial code	0	1	2	3	4	5	6	7	8	9	A	B	C	D	E	F
Voltage(V)	1	1	2	3	4	5	6	7	8	9	10	10	10	10	10	10

Note: ENC2<ENC3<ENC4. If not satisfied, fault H9 is reported.

2. SW1-2 dialled to "ON"

This indicates that the fan has only one fan speed. In this case, ENC2 indicates the fan speed while ENC3 indicates a 0-10V output voltage for the corresponding gear. ENC4 is not defined.

Table 3-15

ENC2 DIP	Fan Speed	LOW/MIDDLE/HIGH	0-10V output
0	Low only	LOW output	ENC3 voltage
1	Middle only	MIDDLE output	ENC3 voltage
2 (by default)	High only	HIGH output	ENC3 voltage
3-F	High only	HIGH output	ENC3 voltage

Corresponding voltage for the ENC3 DIP switch:

Table 3-16

Dial code	0	1	2	3	4	5	6	7	8	9	A	B	C	D	E	F
Voltage(V)	1	1	2	3	4	5	6	7	8	9	10	10	10	10	10	10

Wiring between the terminal block and fan

The sum current of the drainage pump and fan motor should not be greater than 3.5A in models AHUKZ-00D and AHUKZ-01D. The sum current of the drainage pump and fan motor should not be greater than 15A in models AHUKZ-02D and AHUKZ-03D.

The unit should be equipped with molded case circuit breaker, refer to Table 3-17.

The AHU control box has a control port for single-phase AC motor; refer to Figure 3-18 and Figure 3-19. It has three different speeds (high, medium, and low), the output voltage will also be the same as the input power of the box. Figure 3-18 and Figure 3-19 show the wiring diagram. Figure 3-18 is the recommended wiring in these two ways. In Figure 3-18, the AHU control box is not directly connected to the fan motor. Always use it as a motor driving the relay contacts. Otherwise, the product could be damaged or a fire could occur.

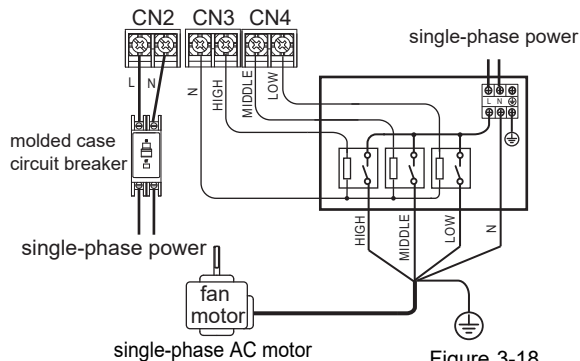


Figure 3-18

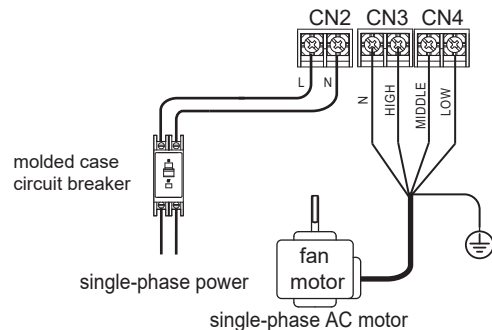


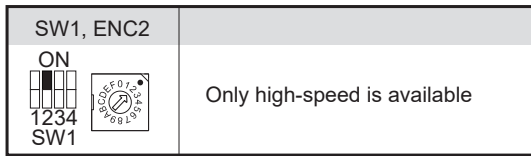
Figure 3-19

If wiring as shown in Figure 3-19, the maximum current of the fan motor must not exceed the value shown in Table 3-17.

Table 3-17

Model	Max. Current of AC Motor and Drainage pump	Molded case circuit breaker
AHUKZ-00D~01D	3.5A	6A
AHUKZ-02D~03D	15A	20A

If the fan motor is a 3-Phase AC motor, SW1-2 must be set to "ON", and the ENC2 must be dialled to "2". The fan terminal block only supports high-speed output. When wiring the motor, refer to Figure 3-20.



Note:

1. The rated current of the contactor must be greater than the current of the motor.
2. The control power of the contactor must be the same as the input power of the AHU control box.
3. SW1-2 must be set to "ON".
4. ENC2 must be dialled to "2".
5. The product do not include the breaker and contactor.

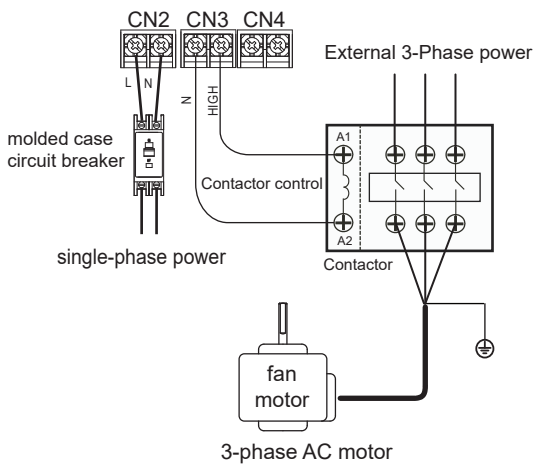


Figure 3-20

3.6 Signal Cable Connection

The following figure displays the signal cable connection diagram:

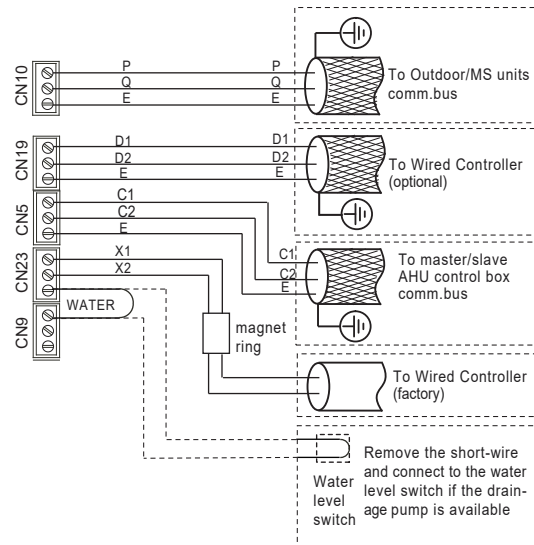


Figure 3-21

Note:

The connecting terminals of the water level switch are connected by default. When connecting the AHU with the drainage pump, remove the connecting wire and connect to the water level switch.

X1 and X2 are ports for connecting to a standard wired controller, while D1, D2 and E are ports for connecting to the optional wired controller. For specific models, consult the manufacturer's technical support personnel or a local dealer.

When a third party controller is used, communication between the AHU control box and third party controller is achieved via dry contacts. See the signal cable connection diagram below:

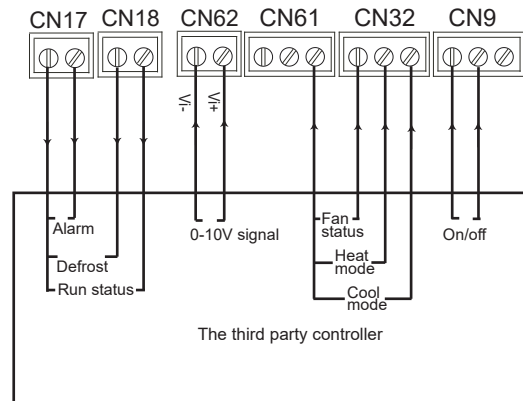


Figure 3-22

Example of signal wiring(Heat pump)

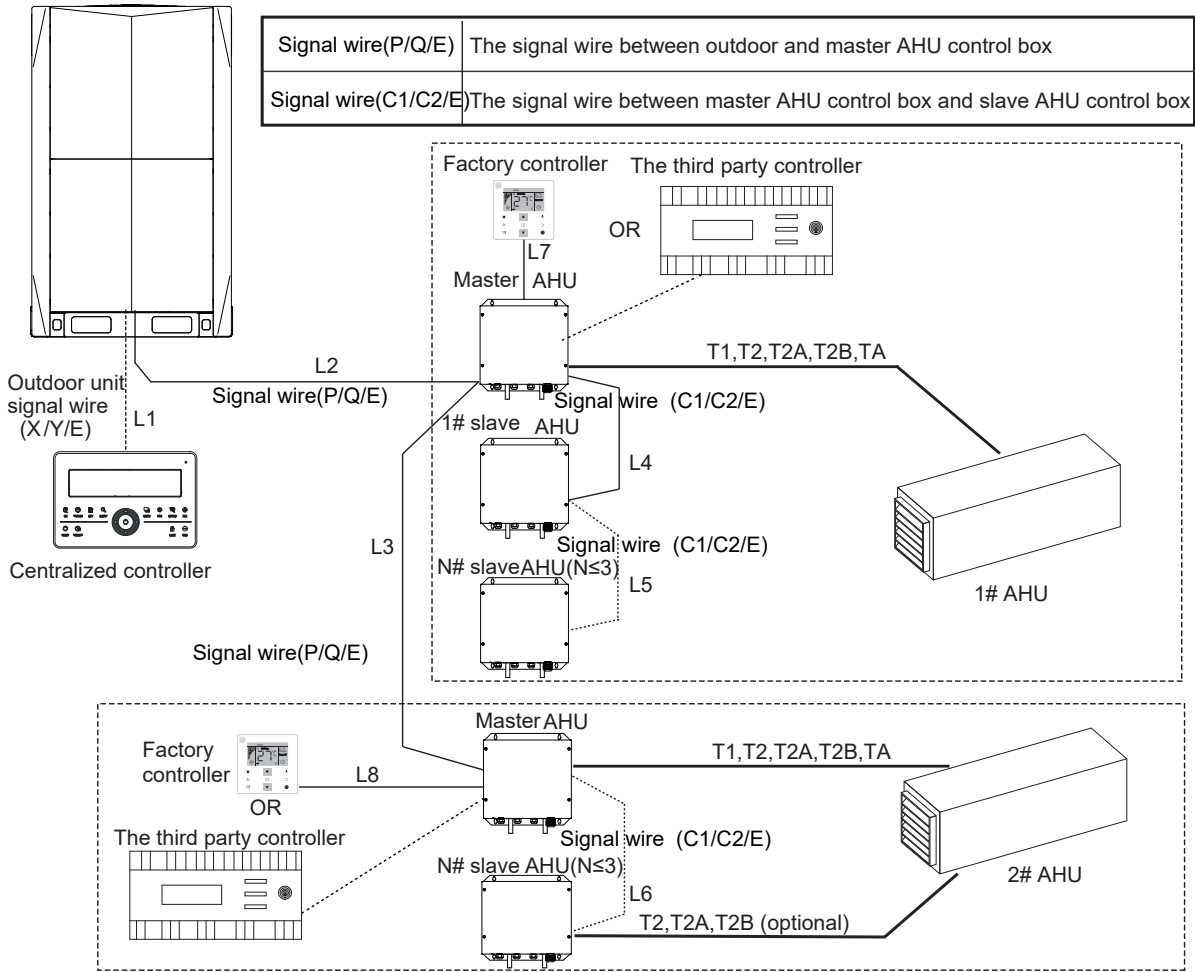


Figure 3-23

Example of signal wiring(Heat recovery)

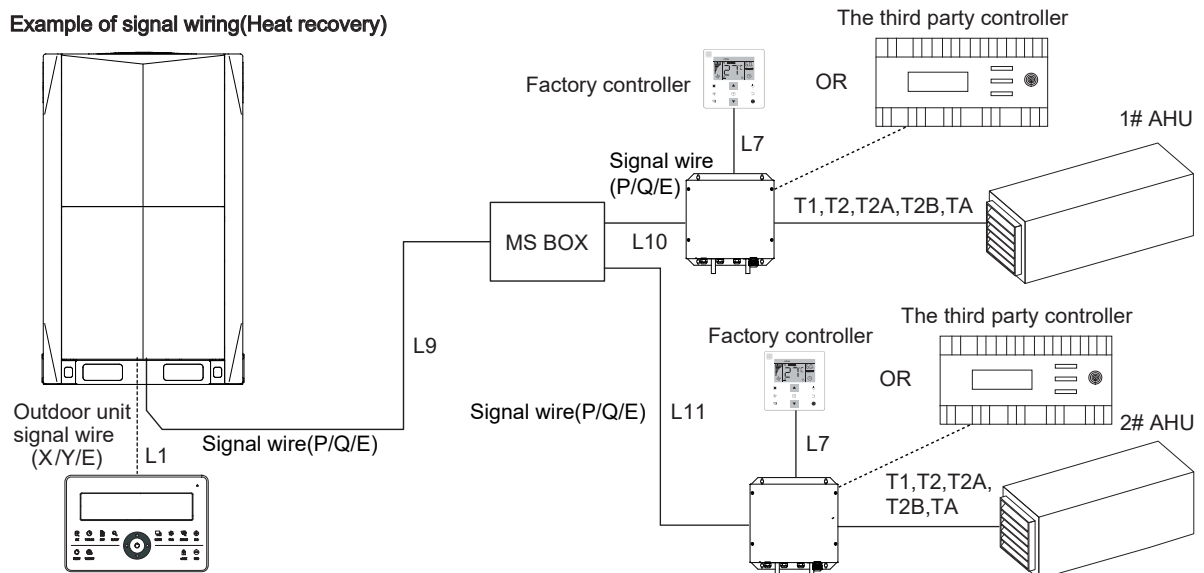


Figure 3-24

Note:

1. The diameter of the signal wire should be greater than or equal to 0.75 mm², and the C1C2E and PQE signal wire should be 3-core shielding wire.
2. Maximum wiring length: L1<1200m; L2+L3<1200m; L4+L5<1200m; L6<1200m; L7<200m; L8<200m ;L9,L10,L11<1200m;
3. If the third party controller is selected to control the AHU box, the centralized controller cannot be connected to the system. The system can only connect to the centralized controller if a factory controller is selected to control the AHU control box.
4. Connect the centralized controller to the ODU XYE terminal block. Do not connect the centralized controller to the C1C2E terminal block of the AHU control box.

4 FUNCTION SETTINGS

4.1 Capacity Settings

The capacity DIP switches for the AHU control box should be set after the box is installed.

The capacity can be set through ENC1 and SW4-2. After completing the settings, power off and then power on the unit to apply the settings.

NOTE

Each AHU control box in parallel connection should undergo capacity settings.

Table 4-1 Capacities of SW4-2 and ENC1

SW4-2 ON 1234	ENC1	Capacity (hp)	Capacity (KW)		
0	0	0.8 hp	2.2	AHUKZ-00D	
	1	1.0 hp	2.8		
	2	1.2 hp	3.6		
	3	1.7 hp	4.5		
	4	2.0 hp	5.6		
	5	2.5 hp	7.1		
	6	3.0 hp	8.0		
	7	3.2 hp	9.0	AHUKZ-01D	
	8	3.6 hp	10.0		
	9	4.0 hp	11.2		
	A	4.5 hp	12.0		
	B	5.0 hp	14.0		
	C	6.0 hp	16.0		
	D	6.5hp	18.0		
	E	7.0hp	20.0		
F	8.0 hp	22.4	AHUKZ-02D		
1	0	10.0 hp		28.0	
	1	12.0 hp		33.5	
	2	14.0 hp		40.0	AHUKZ-03D
	3	16.0 hp		45.0	
	4	20.0 hp	56.0		

4.2 Setting the Master/Slave AHU Control Box

1. If multiple AHU control boxes are connected in parallel, the master/slave AHU control box needs to be set through SW2-3 and SW2-4

ON 1234 SW2	SW2-3 and SW2-4 are 00: master AHU control box
ON 1234 SW2	SW2-3 and SW2-4 are 01: slave AHU control box 1

ON 1234 SW2	SW2-3 and SW2-4 are 10: slave AHU control box 2
ON 1234 SW2	SW2-3 and SW2-4 are 11: slave AHU control box 3

2. When AHU control boxes are connected in parallel, the number of slave AHU control boxes must be set via SW1-3 and SW1-4.

Note: The number of slave AHU control boxes connected in parallel can only be set from the main board of the master AHU control box.

ON 1234 Valid for the master unit only	SW1-3 and SW1-4 are 00: the number of slave AHU control boxes connected in parallel is 0 (factory default)
ON 1234 Valid for the master unit only	SW1-3 and SW1-4 are 01: the number of slave AHU control boxes connected in parallel is 1
ON 1234 Valid for the master unit only	SW1-3 and SW1-4 are 10: the number of slave AHU control boxes connected in parallel is 2
ON 1234 Valid for the master unit only	SW1-3 and SW1-4 are 11: the number of slave AHU control boxes connected in parallel is 3

4.3 Address Settings of AHU Control Box

When powering-on for the first time, If the address is not set, the wired controller will display fault E9.

The ODU can use auto-addressing to set the address for an AHU control box which does not have an address.

If using manual setting, a wired controller is required to set the address of the AHU control box.

Only the master AHU control box communicates with the ODU. Therefore, only the address of master AHU control box needs to be set via the wired controller.

Press and hold ▲ and ▼ on the wired controller for 8s to enter the Address Settings page. If the AHU control box has an address, the page displays the current address. Otherwise, press ▲ and ▼ to change the address and press ○ to confirm and send the current address to the AHU control box.

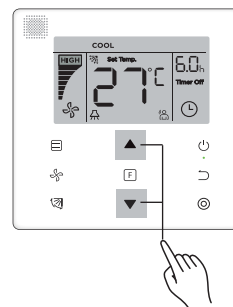


Figure 4-1

Note:

The address of the same system cannot be repeated.

When the AHU control box is set to have a capacity of over 18 kW and the capacity DIP switch is greater than D, a virtual address will be generated. The virtual address is equivalent to the actual address and occupies the address bit. When setting the address, do not set the actual address to a virtual address that is already occupied.

The master AHU control box calculates the total number of addresses occupied by AHU control boxes (represented by the letter N) based on the capacity of each AHU control box, and generates N-1 virtual addresses based on the set addresses.

Table 4-2

SW4-2	ENC1	Corresponding Virtual Addresses					Qty of Occupied Addresses
0	0~D	No virtual address					1
0	E-F	Actual address +1	/	/	/	/	2
1	0-1	Actual address +1	/	/	/	/	2
1	2-4	Actual address +1	Actual address +2	Actual address +3	/	/	4

4.3.1 Single AHU Control Box Controlling One AHU

1. If the ODU is V5X, the address quantity of the AHU control box detected by the ODU will be the sum of the actual address quantity and the virtual address quantity. For example, if the capacity code of an AHU control box is E, and the actual setting address is 5, a virtual address 6 will be generated based on Table 4-2, and the quantity of IDUs detected by the ODU will be 2. If the ODU is not a V5X ODU, the address quantity of the AHU control box detected by the ODU will be the sum of the actual address quantity.

2. When the AHU control box system connects to the centralized controller, the actual address and the virtual address will be displayed for V5X ODUs. For example, if the capacity code of an AHU control box is E, and the actual setting address is 5, both the actual address 5 and the virtual address 6 will be displayed on the centralized controller. If the ODU is not a V5X ODU, only the actual address will be displayed.

3. The network address is the same as the AHU control box address, so there is no need to set them separately.

4. Each individual AHU control box controls one AHU. Each individual AHU control box is the main AHU control box.

4.3.2 Several AHU Control Boxes in a Parallel Connection Controlling One AHU

For this product, several AHU control boxes are allowed to connect in parallel to control one AHU. In this case, three steps must be completed.

- Set the master AHU control box, slave 1 AHU control box, slave 2 AHU control box, and slave 3 AHU control box by using SW2-3 and SW2-4.
- Set the quantity of slave AHU control boxes by using SW1-3 and SW1-4 on the master AHU control box.
- Set an address on the master AHU control box by a wired controller. This address is an actual address. Virtual addresses will be generated in the parallel connection system.

If there are several parallel AHU control boxes systems in one refrigerant system, take figure 3-23 for example, calculate the number of occupied virtual addresses for each parallel AHU control box system, and set the actual address of each parallel AHU control box system to avoid repetition of actual addresses and virtual addresses.

4.4 Selection of Control by Return Air Temperature or by Outlet Air Temperature

AHU control box can select the control by either return air temperature or by outlet air temperature via SW4-1.

<p>ON 1234 Valid for the master unit only</p>	SW4-1 is 0: return air temperature control (factory default)
<p>ON 1234 Valid for the master unit only</p>	SW4-1 is 1: outlet air temperature control

When return air temperature control is selected, a inlet air temperature sensor must be connected to AHU control box;




when outlet air temperature control is selected, both the return air temperature sensor and outlet air temperature sensor must be connected to AHU control box.

When outlet air temperature control is selected, AHU control box must use T1 coming from AHU instead of wired controller. At this time, wired controller should turn off the function of "Follow Me". Please refer to wired controller manual for more information.

4.5 Selection of Controllers

The factory controller or a third party controller can be selected for the AHU control box. The type of controllers can be selected through SW4-3 and SW4-4.

SW4-3, SW4-4

 <p>ON 1234</p>	SW4-3 and SW4-4 are 00: factory controller mode (factory default)
 <p>ON 1234</p>	SW4-3 and SW4-4 are 01: capacity output mode of a third party controller
 <p>ON 1234</p>	SW4-3 and SW4-4 are 10: set temperature control mode of third party controller

Note:

After DIP switches on main board are set, remember to power off and then power on the main board to apply the settings. Otherwise, the settings will be invalid.

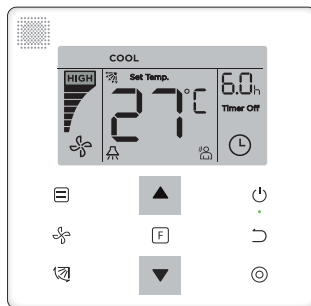
When a third party controller is used, two control modes are available: capacity output control mode and set temperature control mode.

4.5.1 Factory Controller

When the factory controller is selected, the AHU control box can be controlled by the factory wired controller.

The factory wired controller in the accessories is connected to X1 and X2 ports on the main board.

Only the master AHU control box communicates with the ODU. As a result, when AHU control boxes are connected in parallel, only the factory wired controller of master AHU control box can communicate with ODU.



Factory wired controller

Figure 4-2

For detailed instructions for the wired controller, refer to the wired controller installation & owner's manual.

Note:

When the factory controller mode is applied, the main board of the AHU control box will not respond to the control signal from a third party controller.

4.5.2 Setting Capacity Output Mode via a Third Party Controller (Type 1)

When capacity setting with a third party controller mode has been selected, only the third party controller can be used to control the AHU control box. The signal from the factory controller will not respond except to the address setting and inquiring signal.

Even if capacity setting with third party controller mode has been selected, a factory remote controller or wired controller is needed to set the address for the AHU control box, because the third party controller does not have this function.

Third party controller wiring

For the wiring figure, refer to Figure 4-3. Pay careful attention to the following three things:

1. The distance between the third party controller and the AHU control box depends on the external device that is connected (controller/relay...)
2. If several AHU control boxes in a parallel connection control one AHU, the third party controller only needs to be connected with the master AHU control box.
3. One third party controller cannot control two or more AHU at the same time.

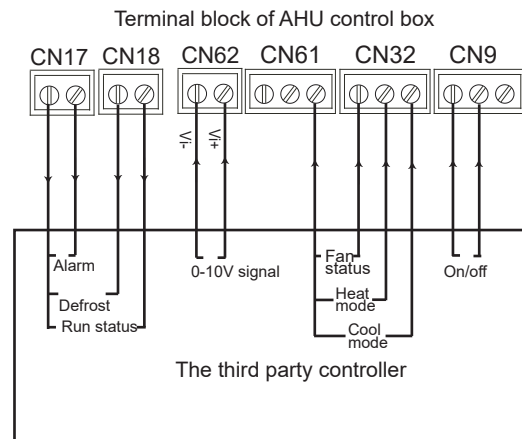


Figure 4-3

The definition of signals between the third party controller and AHU control box.

1. Signals from the third party controller to the AHU control box.

Table 4-3

Signal	Signal Type	Specification	Port
Capacity set	Analog voltage	0-10VDC	0-10V input
ON/OFF	Dry contact	Close: ON Disconnect: OFF	ON/OFF
Cool mode	Dry contact	Close: cool mode Disconnect: no cool signal	COOL
Heat mode	Dry contact	Close: heat mode Disconnect: no heat signal	HEAT
Fan status	Dry contact	Close: fan ON Disconnect: fan OFF	FAN

Note:

(1) The analog voltage must be between the maximum and the minimum value.

(2) Don't close the heat mode contact and cool mode contact at the same time if it needs to run the AHU control box.

2. Signals from the AHU control box to the third party controller.

Table 4-4

Signal	Signal Type	Specification	Port
Alarm	Dry contact	Close: alarm Disconnect: no alarm	Alarm
Defrost	Dry contact	Close: defrosting Disconnect: no defrost	Defrost
Run status	Dry contact	Close: running Disconnect: off	Run

Note:

All signals between the third party controller and AHU control box must be in accordance with the definition specified in Table 4-3 and Table 4-4. It will not work correctly if the definition of the signal in the third party controller is not correct.

Operation at 0-10V capacity output

This control mode requires a third party controller equipped with a temperature sensor that is used to control the following temperatures:

1. Return air temperature of the AHU
2. Outlet air temperature of the AHU

The AHU control box will interpret the 0-10 V signal according to 10 steps. The correlation between the voltage output and the system capacity is shown in the table below.

Capacity setting requirement table(same in heating and cooling)

Analog input 0-10V DC		Capacity setting requirement
Normal (V)	Range (V)	
0	$U < 0.5$	0%
1	$0.5 \leq U < 1.5$	10%
2	$1.5 \leq U < 2.5$	20%
3	$2.5 \leq U < 3.5$	30%
4	$3.5 \leq U < 4.5$	40%
5	$4.5 \leq U < 5.5$	50%
6	$5.5 \leq U < 6.5$	60%
7	$6.5 \leq U < 7.5$	70%
8	$8.5 \leq U < 9.5$	80%
9	$8.5 \leq U < 9.5$	90%
10	$9.5 \leq U \leq 10$	100%

Operation instruction

When the third party controller has been selected, AHU control box will operate according to the control signal from the third party controller and output alarm, defrost and run status signal.

4.5.3 Setting Temperature Mode via a Third Party Controller (Type 2)

When setting temperature control mode via third party controller has been selected, the AHU control box does not respond to instructions from the factory controller except for address setting and query.

Even if temperature control by a third party controller is applied, a factory controller is still needed to set the address because the third party controller cannot do so

Third party controller wiring

Please refer to Figure 4-4 for the wiring diagram. Pay careful attention to the following three things:

1. The distance between the third party controller and the AHU control box depends on the external device that is connected (controller/relay...)
2. If several AHU control boxes in parallel connection control one AHU, the third party controller only needs to be connected with the master AHU control box.

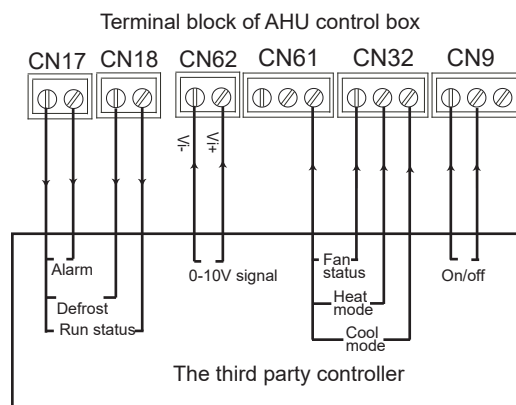


Figure 4-4

3. One third party controller can't control two or more AHUs at the same time.

Definition of signals between the third party controller and the AHU control box

1. Signals from the third party controller to the AHU control box.

Table 4-7

Signal	Signal Type	Specification	Port
Temp. set	Analog voltage	0~10VDC refer to Table 6-3	0-10V input
ON/OFF	Dry contact	Close: ON Disconnect: OFF	ON/OFF
Cool mode	Dry contact	Close: cool mode Disconnect: no cool signal	COOL
Heat mode	Dry contact	Close: heat mode Disconnect: no heat signal	HEAT
Fan status	Dry contact	Close: fan ON Disconnect: fan OFF	FAN

Note:

(1) The analog voltage must be between the maximum and the minimum value.

(2) Don't close the heat mode contact and cool mode contact at the same time if it needs to run the AHU control box.

2. Signals from the AHU control box to the third party controller

Table 4-8

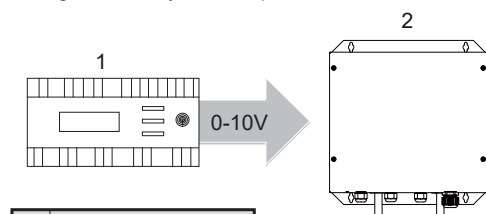
Signal	Signal Type	Specification	Port
Alarm	Dry contact	Close: alarm Disconnect: no alarm	Alarm
Defrost	Dry contact	Close: defrosting Disconnect: no defrost	Defrost
Run status	Dry contact	Close: running Disconnect: off	Run

Note:

The definition of signals between the third party controller and AHU control box must comply with those shown in Table 4-7 and Table 4-8. If the signal is incorrectly defined, the system will not operate properly.

Operation at 0-10V temperature output

- The AHU control box needs to be connected to the return air temperature sensor T1, and to be connected to the outlet air temperature sensor TA if the outlet air temperature control is selected.
- The third party controller sends a voltage signal of 0-10V to the AHU control box. The AHU control box converts the voltage of 0-10V into the target temperature TS according to Table 4-9 or Table 4-10, and calculates the temperature difference between the target temperature and the return temperature T1 or the outlet temperature TA detected by the AHU control box. The temperature difference is used to regulate the system output.



1	Third party controller
2	AHU control box

Figure 4-5

Third party controller - return air temperature control setting

Table 4-9

Normal	Voltage Range		Cooling Set Temperature (°C)	Heating Set Temperature (°C)
	Min.	Max.		
0.5	0	0.75	Not available	Not available
1	0.85	1.15	17	17
1.4	1.25	1.55	17	17
1.8	1.65	1.95	17	17
2.2	2.05	2.35	17	17
2.6	2.45	2.75	17	17
3	2.85	3.15	17	17
3.4	3.25	3.55	17	17
3.8	3.65	3.95	17	17
4.2	4.05	4.35	18	18
4.6	4.45	4.75	19	19
5	4.85	5.15	20	20
5.4	5.25	5.55	21	21
5.8	5.65	5.95	22	22
6.2	6.05	6.35	23	23
6.6	6.45	6.75	24	24
7	6.85	7.15	25	25
7.4	7.25	7.55	26	26
7.8	7.65	7.95	27	27
8.2	8.05	8.35	28	28
8.6	8.45	8.75	29	29
9	8.85	9.15	30	30
9.4	9.25	10	Not available	Not available

Third party controller - outlet air temperature control setting

Table 4-10

Normal	Voltage Range		Cooling Set Temperature (°C)	Heating Set Temperature (°C)
	Min.	Max.		
0.5	0	0.75	Non settable	Non settable
1	0.85	1.15	10	10
1.4	1.25	1.55	11	11
1.8	1.65	1.95	12	12
2.2	2.05	2.35	13	13
2.6	2.45	2.75	14	14
3	2.85	3.15	15	15
3.4	3.25	3.55	16	16
3.8	3.65	3.95	17	17
4.2	4.05	4.35	18	18
4.6	4.45	4.75	19	19
5	4.85	5.15	20	20
5.4	5.25	5.55	21	21
5.8	5.65	5.95	22	22
6.2	6.05	6.35	23	23
6.6	6.45	6.75	24	24
7	6.85	7.15	25	25

Normal	Voltage Range		Cooling Set Temperature (°C)	Heating Set Temperature (°C)
	Min.	Max.		
7.4	7.25	7.55	26	26
7.8	7.65	7.95	27	27
8.2	8.05	8.35	28	28
8.6	8.45	8.75	29	29
9	8.85	9.15	30	30
9.4	9.25	10	Non settable	Non settable

Note:







The analog voltage must be between maximum and minimum value.

5 DIP DEFINITION







NOTE

0 means DIP switch is dialled to "OFF"
1 means DIP switch is dialled to "ON"

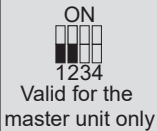

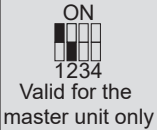

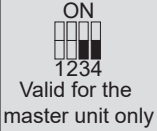

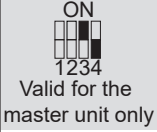

1) Definitions of each bit of SW1:

 ON 1234 Valid for the master unit only	SW1-1 is 0: shutdown compensation temperature (cooling) is 0°C (factory default) SW1-1 is 1: shutdown compensation temperature (cooling) is 2°C (outlet air temperature control is invalid)
 ON 1234 Valid for the master unit only	SW1-2 is 0: AHU control box provides three fan speeds (factory default) SW1-2 is 1: only one fan speed
 ON 1234 Valid for the master unit only	SW1-3 and SW1-4 are 00: the number of slave AHU control boxes connected in parallel is 0 (factory default); valid for the master unit
 ON 1234 Valid for the master unit only	SW1-3 and SW1-4 are 01: the number of slave AHU control boxes connected in parallel is 1
 ON 1234 Valid for the master unit only	SW1-3 and SW1-4 are 10: the number of slave AHU control boxes connected in parallel is 2
 ON 1234 Valid for the master unit only	SW1-3 and SW1-4 are 11: the number of slave AHU control boxes connected in parallel is 3

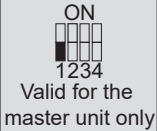

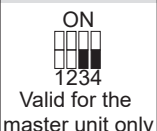

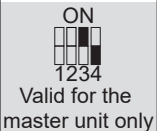

2) Definitions of each bit of SW2:

 ON 1234	SW2-1 is 0: automatic addressing (factory default) SW2-1 is 1: clearing AHU control box address
 ON 1234	SW2-2 is 0: no self-check (factory default) SW2-2 is 1: self-check
 ON 1234	SW2-3 and SW2-4 are 00: master AHU control box (factory default)
 ON 1234	SW2-3 and SW2-4 are 01: slave AHU control box 1
 ON 1234	SW2-3 and SW2-4 are 10: slave AHU control box 2
 ON 1234	SW2-3 and SW2-4 are 11: slave AHU control box 3




3) Definitions of each bit of SW3:

	Return Air Temperature Control (SW4-1 is 0)	Outlet Air Temperature Control (SW4-1 is 1)
 <p>Valid for the master unit only</p>	SW3-1 and SW3-2 are 00: anti-cold air temperature value in heating mode is 15°C (factory default)	SW3-1 and SW3-2 are 00: anti-cold air temperature value in heating mode is 14°C
 <p>Valid for the master unit only</p>	SW3-1 and SW3-2 are 01: anti-cold air temperature value in heating mode is 20°C	SW3-1 and SW3-2 are 01: anti-cold air temperature value in heating mode is 12°C
 <p>Valid for the master unit only</p>	SW3-1 and SW3-2 are 10: anti-cold air temperature value in heating mode is 24°C	SW3-1 and SW3-2 are 10: anti-cold air temperature value in heating mode is 16°C
 <p>Valid for the master unit only</p>	SW3-1 and SW3-2 are 11: anti-cold air temperature value in heating mode is 26°C	SW3-1 and SW3-2 are 11: anti-cold air temperature value in heating mode is 18°C
 <p>Valid for the master unit only</p>	SW3-3 and SW3-4 are 00: temperature compensation in heating mode is 6°C (factory default)	SW3-3 and SW3-4 are 00: Outlet air temperature control is invalid
 <p>Valid for the master unit only</p>	SW3-3 and SW3-4 are 01: temperature compensation in heating mode is 2°C	SW3-3 and SW3-4 are 01: Outlet air temperature control is invalid
 <p>Valid for the master unit only</p>	SW3-3 and SW3-4 are 10: temperature compensation in heating mode is 4°C	SW3-3 and SW3-4 are 10: Outlet air temperature control is invalid
 <p>Valid for the master unit only</p>	SW3-3 and SW3-4 are 11: temperature compensation in heating mode is 0°C (Follow Me function)	SW3-3 and SW3-4 are 11: No temperature compensation for outlet air temperature control by default





4) Definitions of each bit of SW4:

 <p>Valid for the master unit only</p>	SW4-1 is 0: return air temperature control (factory default) SW4-1 is 1: outlet air temperature control	 <p>Valid for the master unit only</p>	SW4-2 indicates high bit (ON indicates + 16)
 <p>Valid for the master unit only</p>	SW4-3 and SW4-4 are 00: factory controller mode (factory default)	 <p>Valid for the master unit only</p>	SW4-3 and SW4-4 are 01: capacity output mode of a third party controller
 <p>Valid for the master unit only</p>	SW4-3 and SW4-4 are 10: set temperature control mode of a third party controller	 <p>Valid for the master unit only</p>	SW4-3 and SW4-4 are 11: set temperature control mode of a third party controller (reserved)


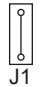
5) Definitions of each bit of SW9:

 ON Valid for the master unit only	SW9-1 is 0: 2-digit digital display panel (factory default) SW9-2 is 1: 3-digit digital display panel
 ON Valid for the master unit only	SW9-2 is 0: One or more AHU control boxes are connected in parallel to one AHU; one coil is connected to multiple control boxes; (shielding faults from the slave unit's temperature sensors T1, T2, T2A, TA and T2B) (factory default) SW9-2 is 1: Multiple AHU control boxes are connected in parallel. In the event of multiple coils, one coil is connected to one control box; (shielding faults from the slave unit's temperature sensor T1, TA)
 ON Valid for the master unit only	SW9-3 is 0: no swing control (factory default) SW9-3 is 1: swing control

6) Definitions of each bit of SW10:

 ON 12	00: AHUKZ-00D model
 ON 12	01: AHUKZ-01D model
 ON 12	10: AHUKZ-02D model
 ON 12	11: AHUKZ-03D model

7) Definitions of J1:

 J1	Without jumper; no short circuit indicates a power failure memory function (factory default)
 J1	With jumper, short circuit indicates no power failure memory function

6 ERROR CODE AND QUERY

Error Code

Priority	Definition	Displayed content
1	Rcfrigerant leak error	A1
2	Emergency shut down	A0
3	No address is set	FE (only displayed on the display board)
4	IDU address code repeated→ F7+repeated address, displayed alternately every 1s	F7+repeated address
5	Mode conflict error	E0
6	Communication error between IDU and ODU	E1
7	T1 sensor error	E2
8	T2 sensor error	E3
9	T2B sensor error	E4
10	T2A sensor error	E5
11	IDU fan error	E6 (reserved)
12	EEPROM error	E7
13	TA sensor error	E8 (the error is not reported when return air temperature control is applied)
14	Communication error with the wired controler, or no address is setted	E9 (only for wired controler)
15	Error of electronic expansion valve coils	Eb (restore after power on again)
17	ODU error	Ed
18	Water level alarm error	EE
19	Low temperature alarm	H2
20	High temperature alarm	H3
21	The number of detected AHU control boxes and the number of dialing units are inconsistent, or Master-slave communication is not available	H6
22	Capacity DIP switch of the AHU control box is inconsistent with model	H8 (restore after power on again)
23	(ENC2,ENC3,ENC4)incorrect DIP switch for 0-10V fan signal.The DIP switch value ensures ENC2< ENC3< ENC4.	H9 (restore after power on again)
24	Pressure sensor error	P1 (reserved)
25	MS error mode	F8
26	MS self-check error	U4 (restore after power on again)
27	Slave unit error	Hb

Query

Wired controller query

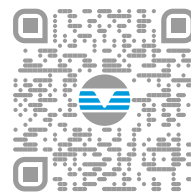
No.	No. Parameter displayed on the wired controller during control box check
1	Control box communication address
2	Capacity (HP) of control box
3	Control box network address (the same as the communication address)
4	Set temperature Ts
5	Room temperature T1
6	Actual T2 AHU temperature
7	Actual T2A AHU temperature
8	Actual T2B AHU temperature
9	TA temperature
10	Compressor discharge temperature (show high discharge temperature)
11	Target superheat degree (reserved)
12	EEV position/8
13	Software version No.
14	Error Code

Page intentionally left blank

Page intentionally left blank

FOR OVER 30 YEARS, WE HAVE BEEN
OFFERING SOLUTIONS TO ENSURE
SUSTAINABLE COMFORT AND THE
WELL-BEING OF PEOPLE AND THE
ENVIRONMENT

www.clivet.com



sales and assistance



CLIVET SPA
Via Camp Lonc 25, Z.I. Villapaiera
32032 Feltre (BL) - Italy
Tel. +39 0439 3131 - Fax +39 0439 313300
info@clivet.it

A Group Company of

