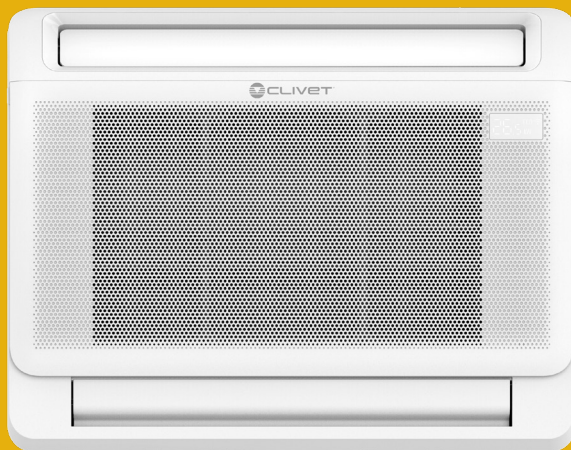




## CONSOLE 3

IC3-Y series from 27M to 53M

# TECHNICAL MANUAL



TM23A014GB-00

01-23



---

## Table of Contents

Page

<b>1. Specifications .....</b>	<b>5</b>
1. Model Reference	
2. General Specifications	
3. Dimensional Drawings	
4. Centre of Gravity	
5. Electrical Wiring Diagrams	
6. Refrigerant Cycle Diagrams	
7. Air Velocity and Temperature Distributions	
8. Capacity Tables	
9. Capacity Correction Factor for Height Difference	
10. Noise Criterion Curves	
11. Electrical Characteristics	
<b>2. Product Features .....</b>	<b>31</b>
1. Operation Modes and Functions	
2. Remote Controller Functions	
<b>3. Installation .....</b>	<b>41</b>
1. Installation Overview	
2. Location Selection	
3. Indoor Unit Installation	
4. Outdoor Unit Installation	
5. Drainage Pipe Installation	
6. Refrigerant Pipe Installation	
7. Vacuum Drying and Leakage checking	
8. Additional Refrigerant Charge	
9. Engineering of Insulation	
10. Engineering of Electrical Wiring	
11. Test Operation	





---

# Specifications

## Contents

1.	Model Reference.....	6
2.	General Specifications.....	7
3.	Dimensional Drawings.....	9
4.	Centre of Gravity .....	12
5.	Electrical Wiring Diagrams.....	13
6	Refrigerant Cycle Diagrams .....	17
7	Air Velocity and Temperature Distributions .....	18
8.	Capacity Tables .....	20
9.	Capacity Correction Factor for Height Difference .....	26
10.	Noise Criterion Curves.....	27
11.	Electrical Characteristics.....	29

## 1. Model Reference

Refer to the following table to determine the specific indoor and outdoor unit model number of your purchased equipment.

Indoor Unit Model	Outdoor Unit Model	Capacity (Btu/h)	Power Supply
IC3-Y 27M	-	9k	1 Phase, 220-240V, 50Hz
IC3-Y 35M	MC3-Y 35M	12k	
IC3-Y 53M	MC3-Y 53M	18k	

## 2. General Specifications

Indoor model			IC3-Y 27M	IC3-Y 35M	IC3-Y 53M
Outdoor model			MC3-Y 27M	MC3-Y 35M	MC3-Y 53M
Power supply (Indoor )	V- Ph-Hz		220-240-1-50	220-240-1-50	220-240-1-50
Power Supply (Outdoor)	V-Ph-Hz		220-240-1-50	220-240-1-50	220-240-1-50
Max. input consumption	W		1850	1850	2950
Max. current	A		9	9	13.5
Indoor fan motor	Model		ZKFP-13-8-136	ZKFP-13-8-136	ZKFP-13-8-136
	Qty		1	1	1
	Insulation class		E	E	E
	IP rating		IPX0	IPX0	IPX0
	Output	W		13	13
	Capacitor	uF		/	/
	Speed(Hi/Mi/Lo)	r/min	992/884/776	992/884/776	1100/1000/900
Indoor coil	Number of rows		2	2	2
	Tube pitch(a)x row pitch(b)	mm	21x13.37	21x13.37	21x13.37
	Fin spacing	mm	1.3	1.3	1.3
	Fin type (code)		Hydrophilic aluminum	Hydrophilic aluminum	Hydrophilic aluminum
	Tube outside dia.and type	mm	Φ7,inner groove tube	Φ7,inner groove tube	Φ7,inner groove tube
	Coil length x height x width	mm	550x378x26.74	550x378x26.74	550x378x26.74
	Number of circuits		2	2	2
Indoor air flow (Hi/Mi/Lo)	m3/h		650/580/490	650/580/490	780/690/600
Indoor sound pressure level	dB(A)		37/34/27	37/34/27	41/38/32
Indoor sound power level	dB(A)		54	54	55
Indoor unit	Dimension(W*D*H)	mm	794x206x621	794x206x621	794x206x621
	Packing (W*D*H)	mm	865x280x719	865x280x719	865x280x719
	Net/Gross weight	Kg	14.9/18.8	14.9/18.8	14.9/18.8
Drainage water pipe diameter	mm		ODΦ16mm	ODΦ16mm	ODΦ16mm
Refrigerant piping	Liquid side/ Gas side	mm(inch)	Φ6.35/Φ9.52(1/4"/3/8")	Φ6.35/Φ9.52(1/4"/3/8")	Φ6.35/Φ12.7(1/4"/1/2")
Controller			Remote control	Remote control	Remote control
Operation temperature	°C		16-30	16-30	16-30
Room temperature	Cooling	°C	16~32	16~32	16~32
	Heating	°C	0~30	0~30	0~30
Qty'per 20' /40' /40'HQ	Indoor unit		168/344/390	168/344/390	168/344/390
Compressor	Model		KSN98D64UFZ3	KSN98D64UFZ3	KSN140D21UFZ
	Type		ROTARY	ROTARY	ROTARY
	Brand		GMCC	GMCC	GMCC
	Capacity	W	1930/3100 ±3%	1930/3100 ±3%	4385
	Input	W	292/765 ±3%	292/765 ±3%	1140
	Rated current(RLA)	A	2.15/4.65 ±3%	2.15/4.65 ±3%	7.50
	Refrigerant oil/oil charge	ml	ESTER OIL VG74 300±10	ESTER OIL VG74 300±10	VG74 440
Outdoor fan motor	Model		-	ZKFN-34-10-1-3	ZKFN-34-10-1-3
	Qty		-	1	1
	Insulation class		-	B	B
	IP rating		-	IP24	IP24
	Output	W	-	34	34
	Capacitor	uF	-	/	/
	Speed	r/min	-	780/600	760/650

Outdoor coil	Number of rows		-	1	2.0
	Tube pitch(a)x row pitch(b)	mm	-	21x22	21x22
	Fin spacing	mm	-	1.3	1.3
	Fin type (code)		-	Hydrophilic aluminum	Hydrophilic aluminum
	Tube outside dia.and type	mm	-	Φ7,Inner groove tube	Φ7,Inner groove tube
	Coil length x height x width	mm	-	745*504*22	860*504*44
	Number of circuits		-	2	4
Outdoor air flow		m3/h	-	2200	2100
Outdoor sound pressure level		dB(A)	-	54	55
Outdoor sound power level		dB(A)	-	62	63
Throttle type			-	EXV	EXV
Outdoor unit	Dimension(W*D*H)	mm	-	765x303x555	805x330x554
	Packing (W*D*H)	mm	-	887x337x610	915x370x615
	Net/Gross weight	Kg	-	26.6/29	32.5/35.2
Refrigerant type	Type	-	-	R32	R32
	GWP	-	-	675	675
	Charged quantity	Kg	-	0.71	1.15
Design pressure		MPa	-	4.3/1.7	4.3/1.7
Refrigerant piping	Liquid side/ Gas side	mm(inch)	-	Φ6.35/Φ9.52(1/4"/3/8")	Φ6.35/Φ12.7(1/4"/1/2")
	Max. refrigerant pipe length	m	-	25	30
	Max. difference in level	m	-	10	20
Ambient temperature	Cooling	°C	-	-15~50	-15~50
	Heating	°C	-	-15~24	-15~24
Qty'per 20' /40' /40'HQ		Outdoor unit	-	132/264/352	114/234/312

## Notes:

1) Capacities are based on the following conditions:

Cooling(T1): - Indoor Temperature 27°C(80.6°F) DB /19 °C(66.2°F) WB      Heating: - Indoor Temperature 20°C(68°F) DB / 15°C(59°F) WB

-Outdoor Temperature 35 °C(95°F) DB /24 °C(75.2°F) WB

-Outdoor Temperature 7°C(44.6°F) DB / 6°C(42.8°F) WB

-Interconnecting Piping Length 5m

- Interconnecting Piping Length 5 m

- Level Difference of Zero.

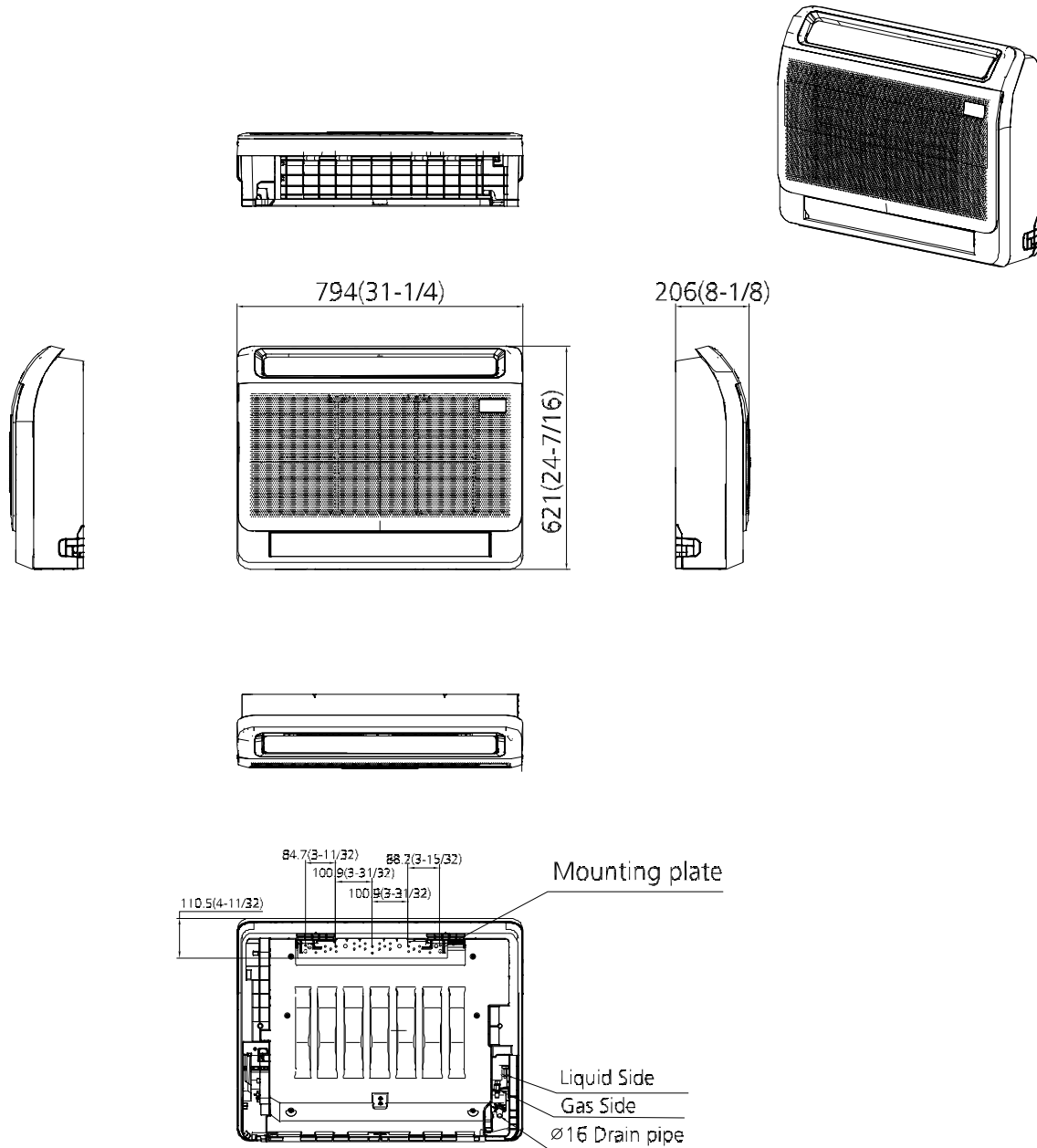
- Level Difference of Zero.

2) Capacities are Net Capacities.

3) Due to our policy of innovation some specifications may be changed without notification.

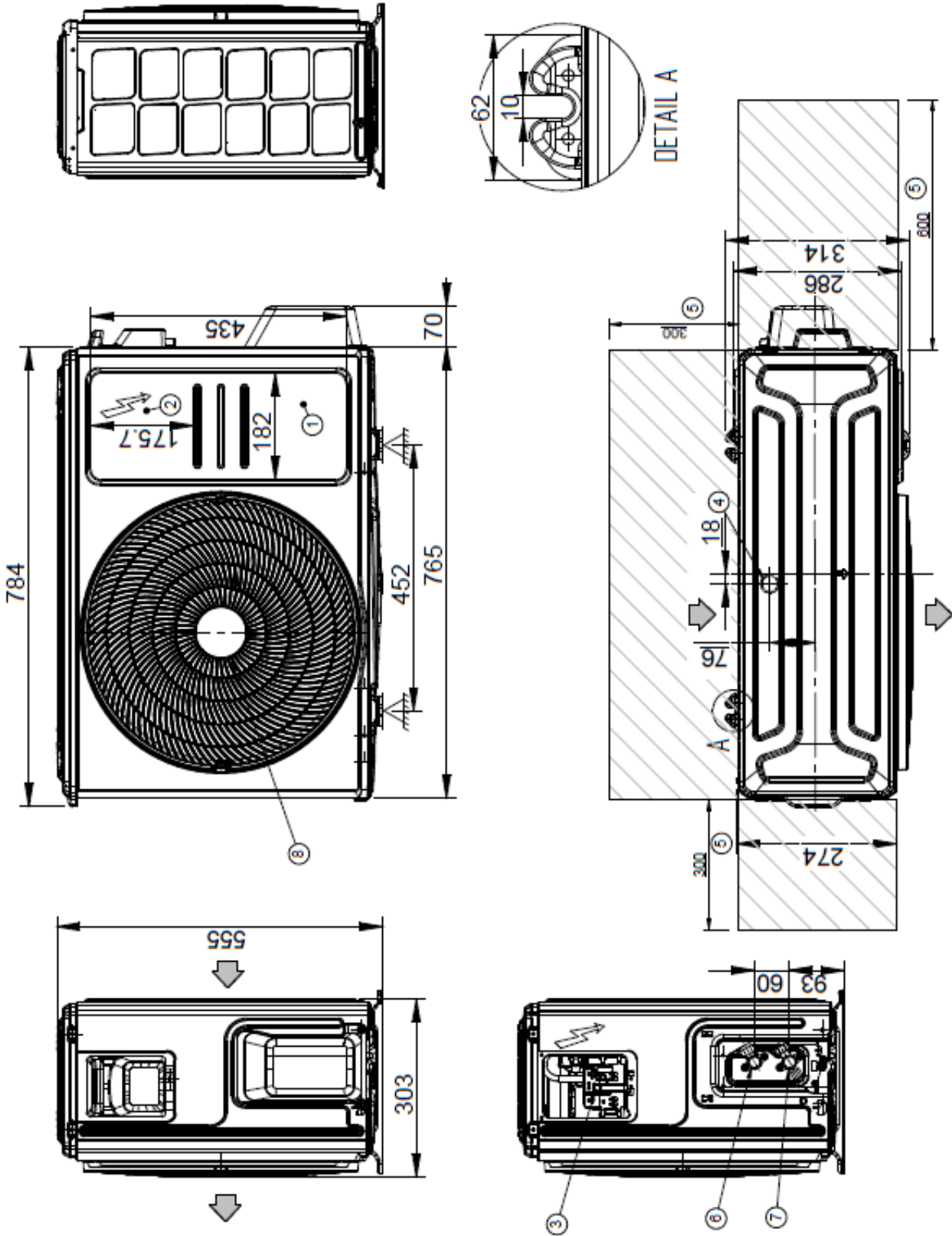
### 3. Dimensional Drawings

#### 3.1 Indoor Unit

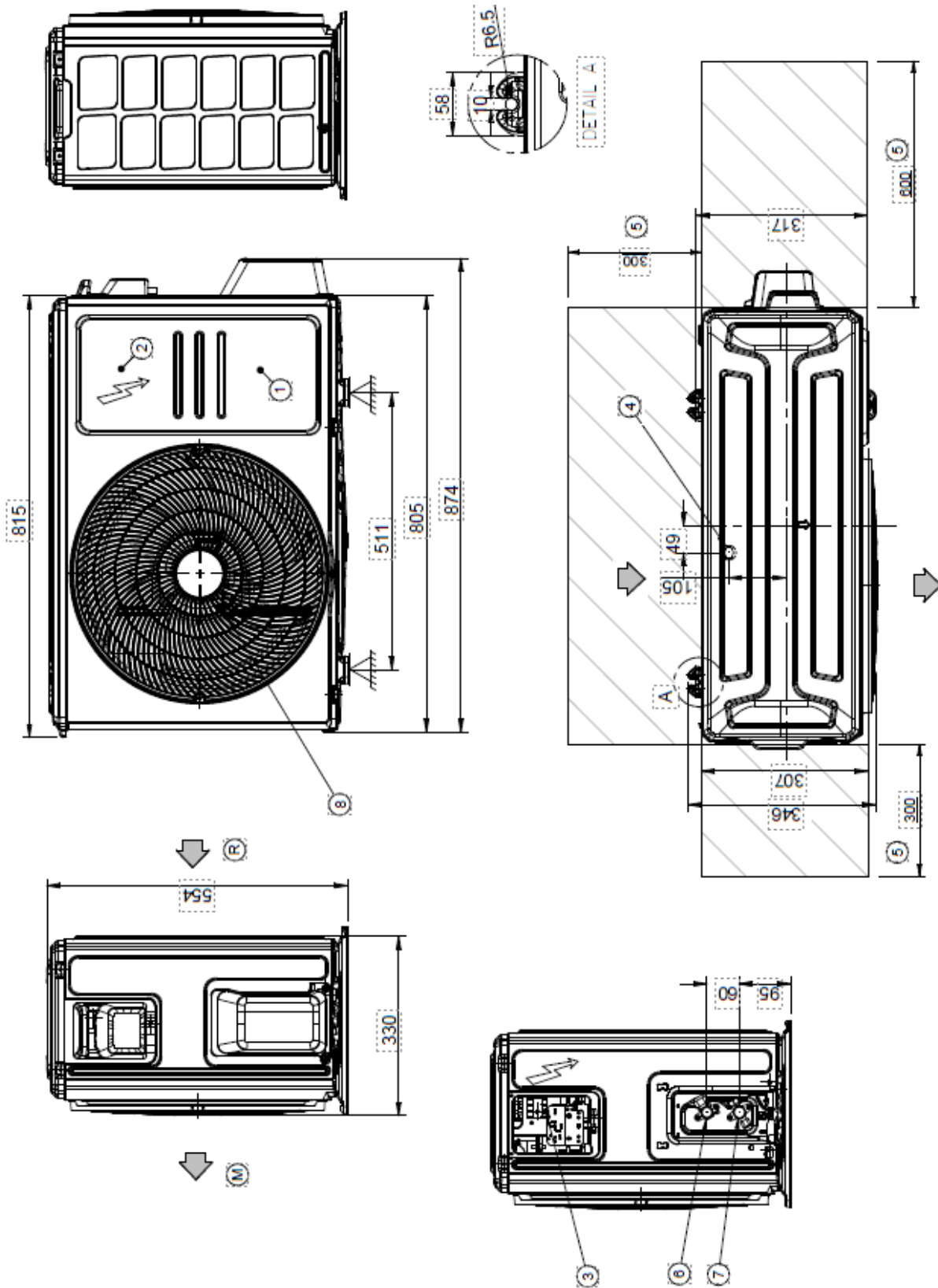


### 3.2 Outdoor Unit

MC3-Y 35M



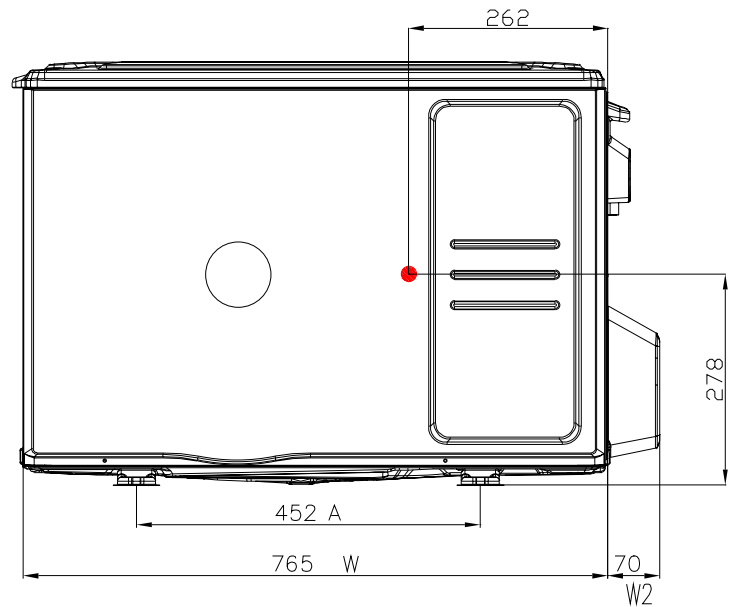
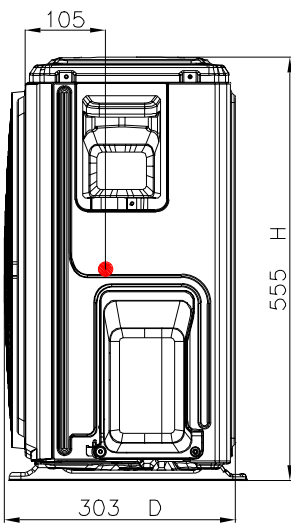
# MC3-Y 53M



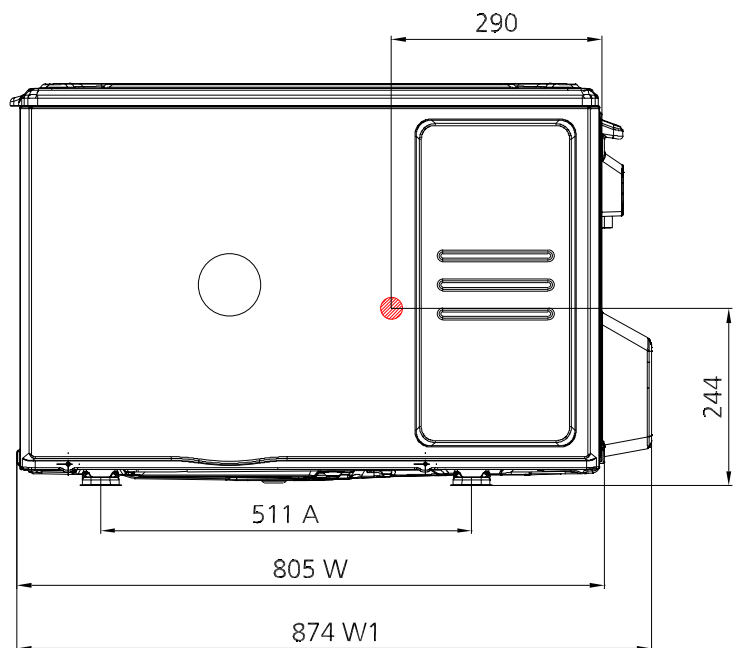
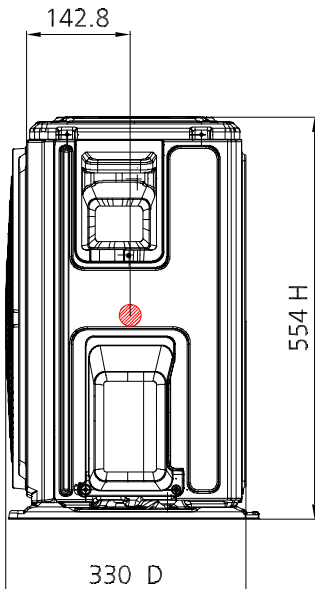
Indoor unit IC3-Y 27M compatible with multiple outdoor units.  
 To verify the dimensional drawings of the outdoor unit, consult the documentation of the selected unit

## 4. Centre of Gravity

MC3-Y 35M



MC3-Y 53M



Indoor unit IC3-Y 27M compatible with multiple outdoor units.

To verify the dimensional drawings of the outdoor unit, consult the documentation of the selected unit

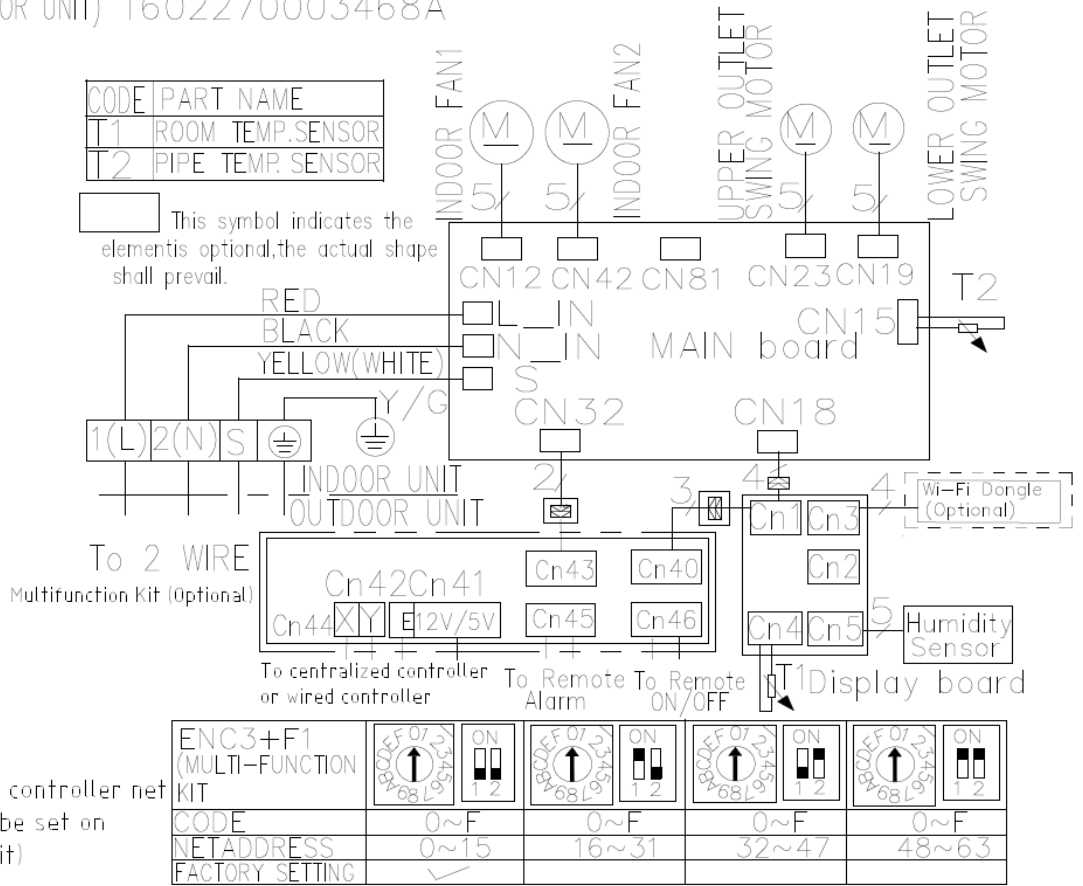


## 5. Electrical Wiring Diagrams

### 5.1 Indoor unit

Abbreviation	Paraphrase
Y/G	Yellow-Green Conductor
CAP1	Indoor Fan Capacitor
FAN	Indoor Fan
PUMP	PUMP
L	LIVE
N	NEUTRAL
TO CCM Comm.Bus	Central Controller
T1	Indoor Room Temperature
T2	Coil Temperature of Indoor Heat Exchanger
P1	Super High Speed
P2	High Speed

WIRING DIAGAM(INDOOR UNIT) 1602270003468A



## 5.2 Outdoor Unit

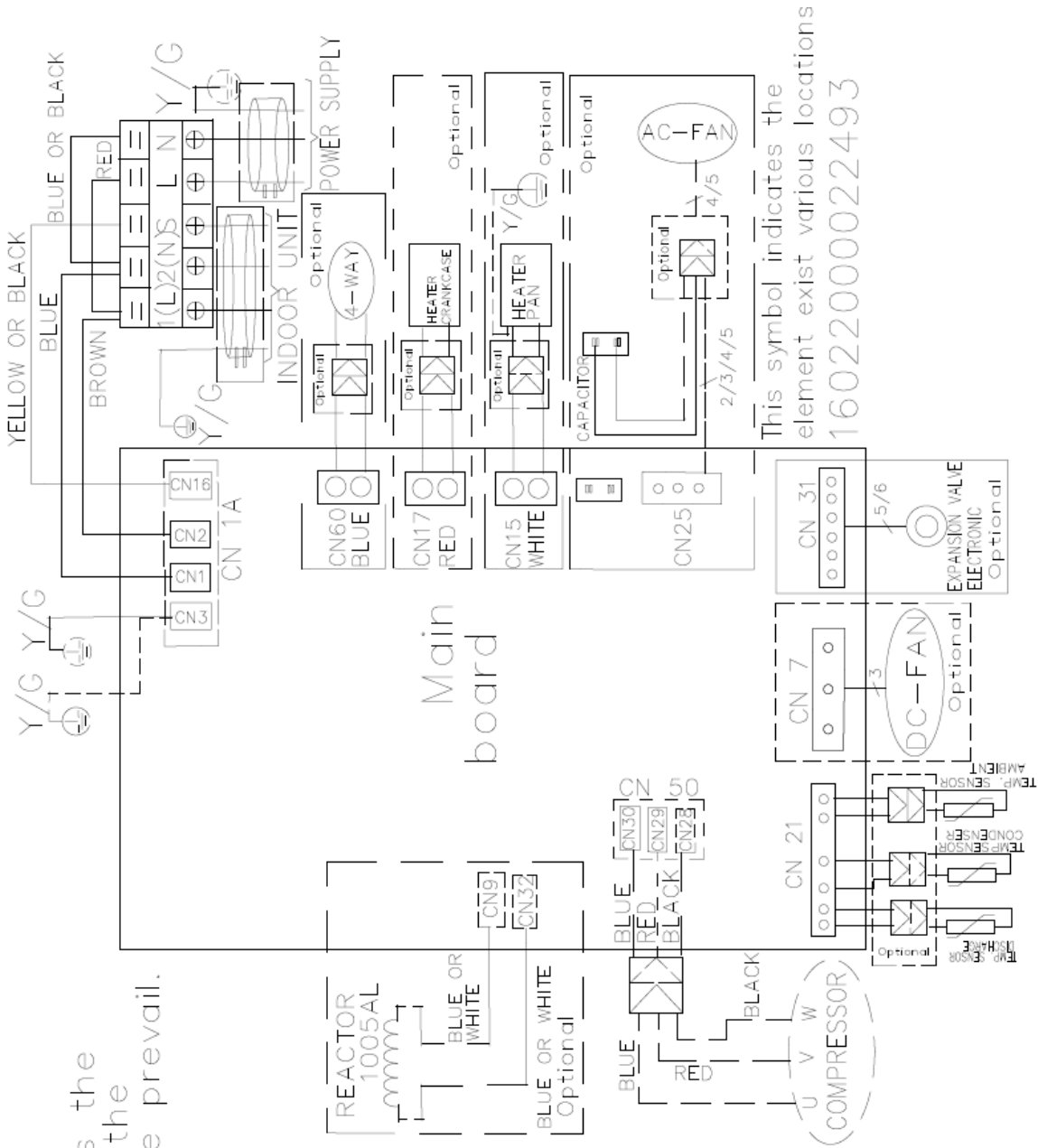
Abbreviation	Paraphrase
CAP1, CAP2, CAP3,CAP4	Capacitor
FAN1	Outdoor Fan Motor
KM8	Contactora
CT1, CT2	AC Current Detector
COMP	Compressor
L-PRO, K2	Low Pressure Switch/Shorting Stub
K1	High Pressure Switch/Shorting Stub
TRANS	Power Transformer
T4	10KΩ RESISTANCE/Outdoor Ambient Temperature
T3	10KΩ RESISTANCE/Coil Temperature of Condenser
XT1	2-Way Terminal/4-Way Terminal
XT2	3-Way Terminal
XT4	Terminal
K3	Compressor Discharge Temperature/Shorting Stub
XP1~XP5,XT5~XT7	Connectors

Notes

This symbol indicates the element is optional, the actual shape shall be prevail.

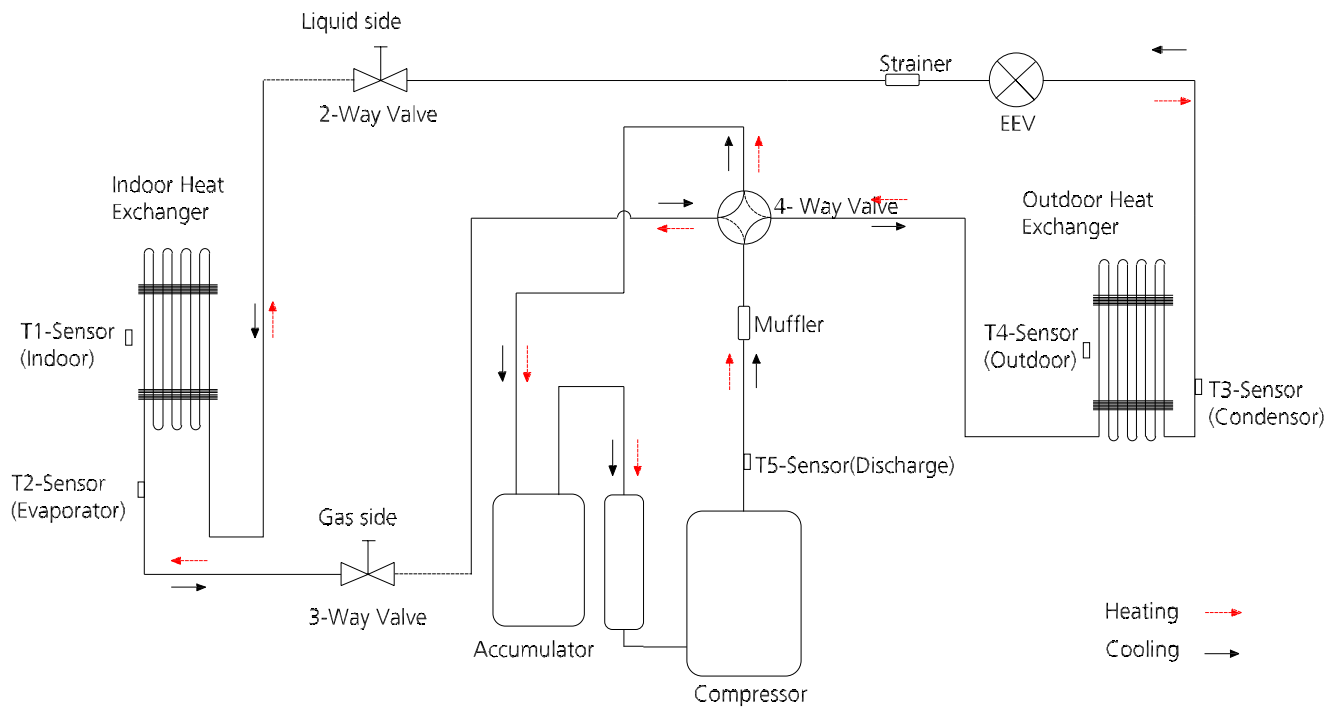
Indoor unit IC3-Y 27M compatible with multiple outdoor units.

To verify the wiring diagram of the outdoor unit, consult the documentation of the selected unit



This symbol indicates the element exist various locations  
16022000022493

## 6. Refrigerant Cycle Diagrams



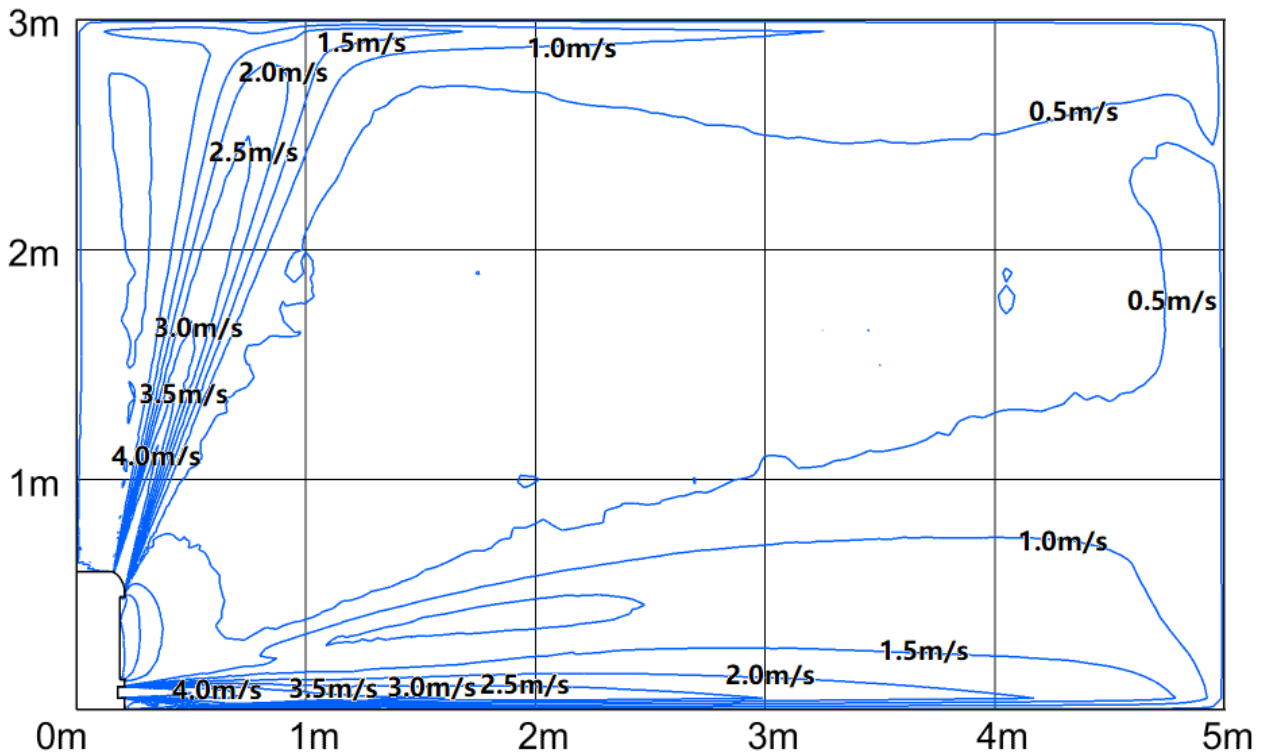
Specifications

Model	Pipe Size (Diameter:Ø) mm(inch)		Piping length (m/ft)		Elevation (m/ft)		Additional Refrigerant
	Gas	Liquid	Rated	Max.	Rated	Max.	
9k	9.52(3/8)	6.35(1/4)	5/16.4	25/82	0	10/32.8	12g/m (0.13oz/ft)
12k	9.52(3/8)	6.35(1/4)	5/16.4	25/82	0	10/32.8	
18k	12.7(1/2)	6.35(1/4)	5/16.4	30/98.4	0	20/65.6	

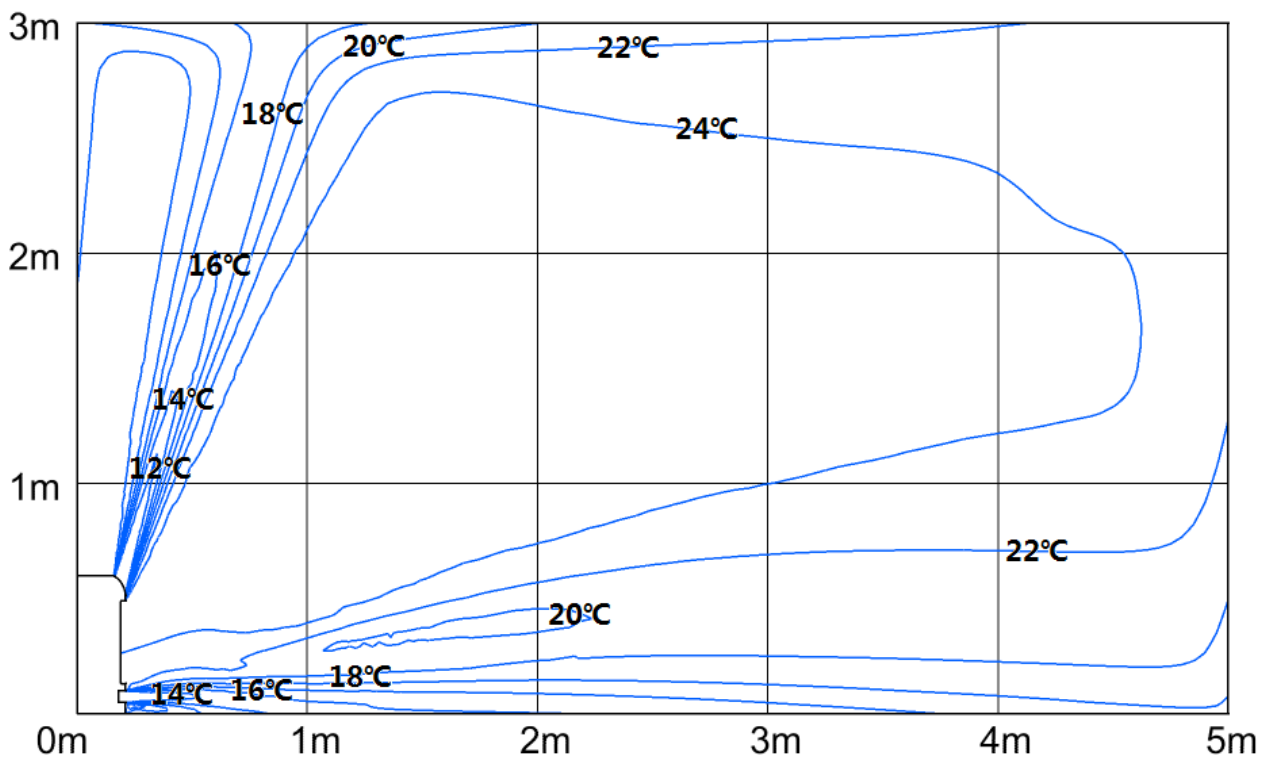
## 7. Air Velocity and Temperature Distributions

Discharge Angle 70°(Upper)/ 0°(Lower)

Cooling airflow velocity distributions

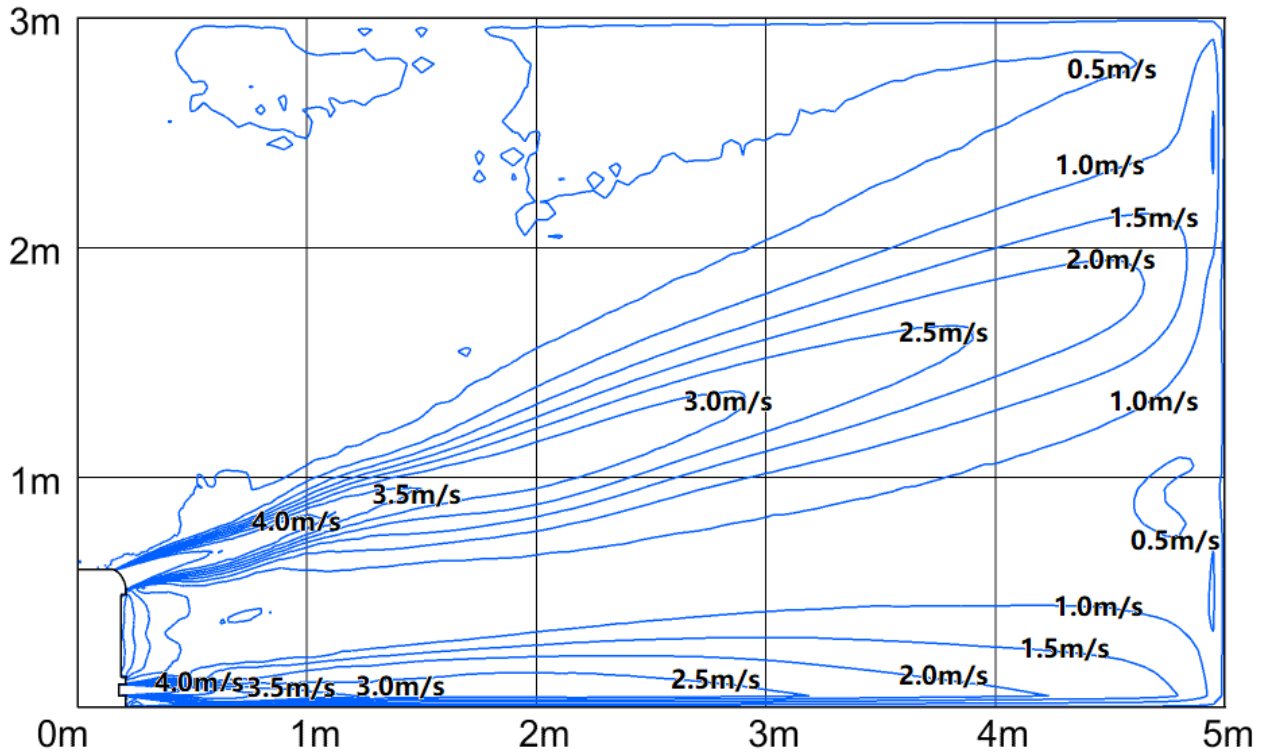


Cooling temperature distributions

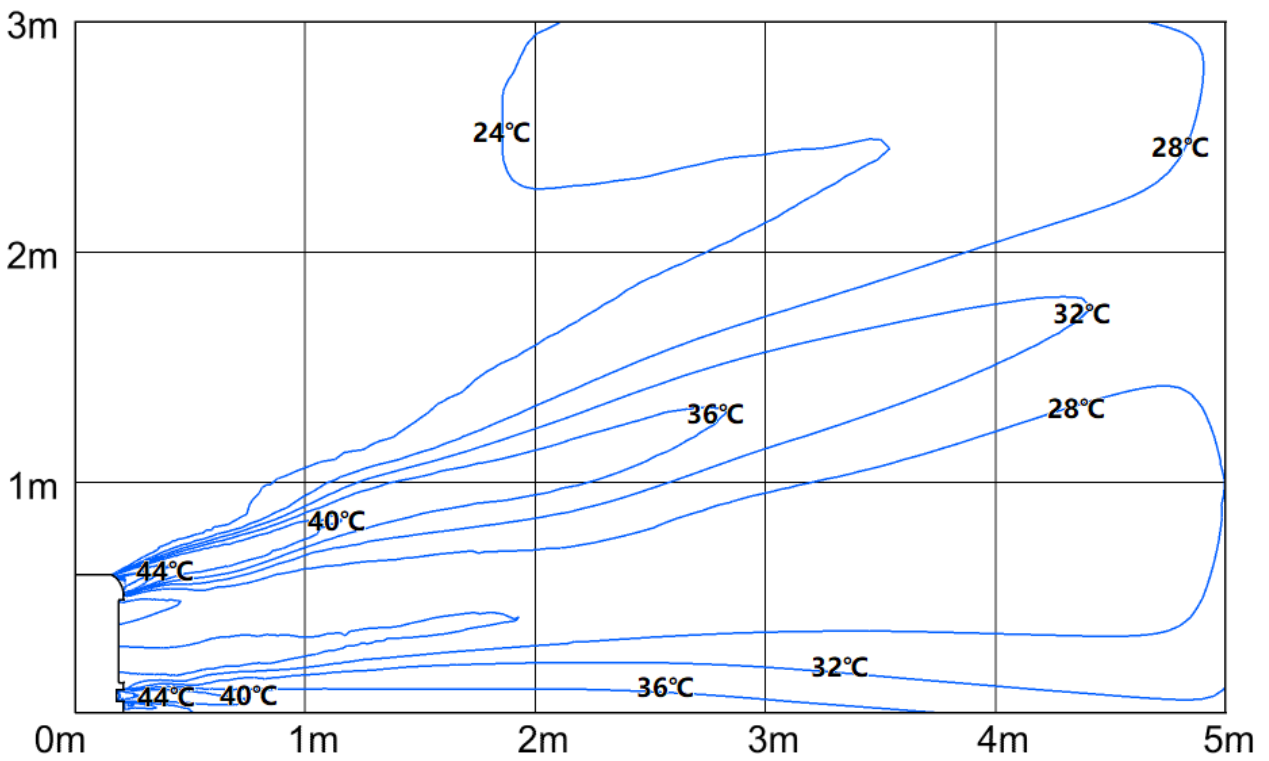


Discharge Angle 20°(Upper)/ 0°(Lower)

Heating airflow velocity distributions



Heating temperature distributions



# 8. Capacity Tables

## 8.1 Cooling

Specifications

INDOOR AIRFLOW (CMH)	OUTDOOR DB (C)	ID WB (C)	12k															
			16.0				18.0				19.0				22.0			
			ID DB (C)	23.0	25.0	27.0	29.0	23.0	25.0	27.0	29.0	23.0	25.0	27.0	29.0	23.0	25.0	27.0
490	-15	TC	3.71	3.72	3.75	3.78	3.90	3.96	3.96	3.99	4.00	4.00	4.00	4.00	4.25	4.25	4.25	4.25
		S/T	0.70	0.80	0.89	0.97	0.57	0.65	0.73	0.82	0.50	0.58	0.67	0.74	0.35	0.42	0.50	0.58
		PI	0.67	0.67	0.67	0.67	0.66	0.66	0.66	0.66	0.66	0.66	0.66	0.66	0.66	0.66	0.66	0.66
	-10	TC	3.68	3.70	3.73	3.76	3.87	3.93	3.93	3.96	3.98	3.98	3.98	3.98	4.23	4.23	4.23	4.23
		S/T	0.71	0.81	0.89	0.97	0.57	0.65	0.74	0.82	0.50	0.58	0.67	0.75	0.35	0.43	0.50	0.58
		PI	0.66	0.66	0.66	0.66	0.66	0.66	0.66	0.66	0.66	0.66	0.66	0.66	0.66	0.66	0.66	0.66
	-5	TC	3.66	3.67	3.70	3.73	3.86	3.92	3.92	3.95	3.96	3.96	3.96	3.96	4.22	4.22	4.22	4.22
		S/T	0.71	0.81	0.90	0.98	0.58	0.66	0.74	0.83	0.51	0.59	0.67	0.75	0.35	0.43	0.51	0.59
		PI	0.66	0.66	0.66	0.66	0.66	0.66	0.66	0.66	0.66	0.66	0.66	0.66	0.66	0.66	0.66	0.66
	0	TC	3.64	3.66	3.68	3.71	3.85	3.91	3.91	3.93	3.95	3.95	3.95	3.95	4.22	4.22	4.22	4.22
		S/T	0.72	0.81	0.90	0.98	0.58	0.66	0.74	0.83	0.51	0.59	0.68	0.75	0.35	0.43	0.51	0.59
		PI	0.66	0.67	0.67	0.66	0.66	0.66	0.66	0.66	0.66	0.66	0.66	0.66	0.67	0.67	0.67	0.67
	5	TC	3.62	3.64	3.67	3.70	3.83	3.89	3.89	3.92	3.94	3.94	3.94	3.94	4.21	4.21	4.21	4.21
		S/T	0.72	0.82	0.91	0.99	0.58	0.66	0.75	0.84	0.51	0.59	0.68	0.76	0.35	0.43	0.51	0.59
		PI	0.67	0.67	0.67	0.67	0.67	0.67	0.67	0.67	0.67	0.67	0.67	0.67	0.67	0.67	0.67	0.67
	10	TC	3.60	3.61	3.64	3.67	3.81	3.87	3.87	3.90	3.92	3.92	3.92	3.92	4.20	4.20	4.20	4.20
		S/T	0.72	0.82	0.91	0.99	0.58	0.67	0.75	0.84	0.51	0.59	0.68	0.76	0.36	0.44	0.51	0.59
		PI	0.68	0.68	0.68	0.68	0.68	0.68	0.68	0.68	0.68	0.68	0.68	0.68	0.68	0.68	0.68	0.68
	15	TC	3.57	3.59	3.61	3.64	3.79	3.85	3.85	3.88	3.90	3.90	3.90	3.90	4.19	4.19	4.19	4.19
		S/T	0.73	0.83	0.92	1.00	0.59	0.67	0.76	0.85	0.52	0.60	0.69	0.77	0.36	0.44	0.52	0.60
		PI	0.70	0.70	0.70	0.70	0.69	0.69	0.69	0.69	0.69	0.69	0.69	0.69	0.69	0.69	0.69	0.69
	20	TC	3.53	3.54	3.57	3.60	3.75	3.75	3.75	3.75	3.86	3.86	3.86	3.86	4.15	4.15	4.15	4.15
		S/T	0.73	0.83	0.92	1.00	0.59	0.67	0.76	0.85	0.52	0.60	0.69	0.77	0.36	0.44	0.52	0.60
		PI	0.72	0.73	0.73	0.72	0.72	0.72	0.72	0.72	0.72	0.72	0.72	0.72	0.72	0.72	0.72	0.72
	25	TC	3.37	3.37	3.40	3.43	3.57	3.57	3.57	3.57	3.69	3.69	3.69	3.69	3.98	3.98	3.98	3.98
		S/T	0.75	0.84	0.94	1.00	0.59	0.68	0.78	0.87	0.52	0.61	0.70	0.79	0.35	0.44	0.52	0.60
		PI	0.79	0.79	0.79	0.79	0.79	0.79	0.79	0.79	0.79	0.79	0.79	0.79	0.79	0.79	0.79	0.79
	30	TC	3.20	3.20	3.23	3.26	3.43	3.43	3.43	3.43	3.52	3.52	3.52	3.52	3.80	3.80	3.80	3.80
		S/T	0.76	0.86	0.96	1.00	0.60	0.69	0.79	0.88	0.52	0.62	0.71	0.80	0.35	0.44	0.52	0.61
		PI	0.87	0.87	0.87	0.87	0.87	0.87	0.87	0.87	0.87	0.87	0.87	0.87	0.88	0.88	0.88	0.88
	35	TC	3.05	3.05	3.08	3.11	3.26	3.26	3.26	3.29	3.34	3.34	3.34	3.34	3.60	3.60	3.60	3.60
		S/T	0.77	0.88	0.98	1.00	0.60	0.70	0.80	0.90	0.53	0.62	0.72	0.82	0.35	0.44	0.53	0.62
		PI	0.95	0.95	0.95	0.95	0.96	0.96	0.96	0.96	0.96	0.96	0.96	0.96	0.96	0.96	0.96	0.96
	40	TC	2.86	2.88	2.91	2.93	3.07	3.07	3.07	3.09	3.15	3.15	3.18	3.15	3.40	3.40	3.40	3.40
		S/T	0.80	0.91	1.00	1.00	0.62	0.73	0.84	0.94	0.53	0.64	0.75	0.86	0.34	0.44	0.54	0.64
		PI	1.04	1.04	1.04	1.04	1.05	1.05	1.05	1.05	1.05	1.05	1.05	1.05	1.06	1.06	1.06	1.06
	46	TC	2.64	2.67	2.70	2.73	2.85	2.85	2.85	2.87	2.93	2.93	2.93	2.93	3.16	3.16	3.16	3.16
		S/T	0.81	0.93	1.00	1.00	0.62	0.74	0.85	0.96	0.54	0.65	0.76	0.87	0.34	0.44	0.55	0.65
		PI	1.16	1.16	1.16	1.16	1.17	1.17	1.17	1.17	1.17	1.17	1.17	1.17	1.18	1.18	1.18	1.18
	50	TC	2.50	2.53	2.56	2.59	2.67	2.67	2.67	2.70	2.76	2.76	2.76	2.79	2.99	2.99	2.99	2.99
		S/T	0.83	0.96	1.00	1.00	0.63	0.76	0.88	1.00	0.54	0.66	0.78	0.89	0.34	0.45	0.56	0.67
		PI	1.26	1.26	1.26	1.26	1.27	1.27	1.27	1.27	1.27	1.27	1.27	1.27	1.28	1.28	1.28	1.28







780	-15	TC	5.44	5.44	5.50	5.56	5.72	5.72	5.72	5.72	5.84	5.84	5.84	5.84	6.22	6.22	6.22	6.22
		S/T	0.72	0.82	1.00	1.00	0.57	0.67	0.76	0.98	0.50	0.59	0.69	0.77	0.34	0.42	0.50	0.59
		PI	1.04	1.04	1.04	1.04	1.04	1.04	1.04	1.04	1.04	1.03	1.03	1.03	1.03	1.03	1.03	1.03
	-10	TC	5.40	5.40	5.46	5.52	5.69	5.69	5.69	5.69	5.82	5.82	5.82	5.82	6.20	6.20	6.20	6.20
		S/T	0.73	0.82	1.00	1.00	0.57	0.67	0.77	0.98	0.50	0.59	0.69	0.78	0.34	0.43	0.50	0.59
		PI	1.03	1.03	1.03	1.03	1.04	1.04	1.04	1.04	1.03	1.03	1.03	1.03	1.04	1.04	1.04	1.04
	-5	TC	5.37	5.37	5.43	5.49	5.67	5.67	5.67	5.67	5.79	5.79	5.79	5.79	6.18	6.18	6.18	6.18
		S/T	0.73	0.83	1.00	1.00	0.58	0.67	0.77	0.99	0.51	0.59	0.69	0.78	0.34	0.43	0.51	0.59
		PI	1.03	1.03	1.03	1.03	1.04	1.04	1.04	1.04	1.03	1.03	1.03	1.03	1.04	1.04	1.04	1.04
	0	TC	5.35	5.35	5.40	5.46	5.65	5.65	5.65	5.65	5.78	5.78	5.78	5.78	6.18	6.18	6.18	6.18
		S/T	0.74	0.83	1.00	1.00	0.58	0.68	0.77	0.99	0.51	0.60	0.70	0.78	0.34	0.43	0.51	0.60
		PI	1.04	1.04	1.04	1.04	1.04	1.04	1.04	1.04	1.03	1.03	1.03	1.03	1.04	1.04	1.04	1.04
	5	TC	5.32	5.32	5.38	5.44	5.62	5.62	5.62	5.62	5.76	5.76	5.76	5.76	6.17	6.17	6.17	6.17
		S/T	0.74	0.84	1.00	1.00	0.58	0.68	0.78	1.00	0.51	0.60	0.70	0.79	0.34	0.43	0.51	0.60
		PI	1.05	1.05	1.05	1.05	1.05	1.05	1.05	1.05	1.04	1.04	1.04	1.04	1.05	1.05	1.05	1.05
	10	TC	5.29	5.29	5.34	5.40	5.60	5.60	5.60	5.60	5.74	5.74	5.74	5.74	6.16	6.16	6.16	6.16
		S/T	0.74	0.84	1.00	1.00	0.58	0.68	0.78	1.00	0.51	0.60	0.70	0.79	0.35	0.44	0.51	0.60
		PI	1.06	1.06	1.06	1.06	1.07	1.07	1.07	1.07	1.06	1.06	1.06	1.06	1.06	1.06	1.06	1.06
	15	TC	5.24	5.24	5.30	5.36	5.56	5.56	5.56	5.56	5.70	5.70	5.70	5.70	6.13	6.13	6.13	6.13
		S/T	0.75	0.85	0.95	1.00	0.59	0.69	0.79	0.88	0.52	0.61	0.71	0.80	0.35	0.44	0.52	0.61
		PI	1.09	1.09	1.09	1.09	1.09	1.09	1.09	1.09	1.08	1.08	1.08	1.08	1.09	1.09	1.09	1.09
	20	TC	5.18	5.18	5.24	5.30	5.50	5.50	5.50	5.50	5.64	5.64	5.64	5.64	6.08	6.08	6.08	6.08
		S/T	0.75	0.85	0.95	1.00	0.59	0.69	0.79	0.88	0.52	0.61	0.71	0.80	0.35	0.44	0.52	0.61
		PI	1.13	1.13	1.13	1.13	1.13	1.13	1.13	1.13	1.12	1.12	1.12	1.12	1.12	1.12	1.12	1.12
	25	TC	4.92	4.92	4.98	5.04	5.24	5.24	5.24	5.30	5.41	5.41	5.41	5.41	5.82	5.82	5.82	5.82
		S/T	0.77	0.87	0.97	1.00	0.60	0.70	0.80	0.90	0.52	0.62	0.72	0.81	0.35	0.44	0.53	0.62
		PI	1.25	1.25	1.25	1.25	1.25	1.25	1.25	1.25	1.25	1.25	1.25	1.25	1.25	1.25	1.25	1.25
	30	TC	4.69	4.75	4.81	4.87	5.01	5.01	5.01	5.07	5.16	5.16	5.16	5.16	5.56	5.56	5.56	5.56
		S/T	0.78	0.89	0.99	1.00	0.61	0.71	0.82	0.92	0.53	0.63	0.73	0.83	0.34	0.44	0.53	0.63
		PI	1.36	1.36	1.36	1.36	1.36	1.36	1.36	1.36	1.36	1.36	1.36	1.36	1.37	1.37	1.37	1.37
	35	TC	4.46	4.52	4.58	4.64	4.75	4.75	4.75	4.81	4.90	4.90	<b>4.98</b>	4.90	5.30	5.30	5.30	5.30
		S/T	0.79	0.91	1.00	1.00	0.61	0.72	0.83	0.94	0.53	0.64	<b>0.74</b>	0.85	0.34	0.44	0.54	0.64
		PI	1.49	1.49	1.49	1.49	1.49	1.49	1.49	1.49	1.50	1.50	<b>1.50</b>	1.50	1.51	1.51	1.51	1.51
	40	TC	4.19	4.24	4.28	4.32	4.46	4.46	4.48	4.52	4.61	4.61	4.66	4.62	4.98	4.98	4.98	4.98
		S/T	0.82	0.95	1.00	1.00	0.63	0.75	0.87	0.98	0.54	0.66	0.78	0.89	0.34	0.44	0.55	0.90
		PI	1.64	1.64	1.64	1.64	1.64	1.64	1.64	1.64	1.65	1.65	1.65	1.65	1.66	1.66	1.66	1.66
	46	TC	3.88	3.91	3.93	3.96	4.14	4.14	4.16	4.19	4.28	4.28	4.28	4.31	4.62	4.62	4.62	4.62
		S/T	0.84	0.97	1.00	1.00	0.64	0.76	0.89	1.00	0.54	0.67	0.79	0.91	0.33	0.45	0.56	0.92
		PI	1.82	1.82	1.82	1.82	1.83	1.83	1.83	1.83	1.84	1.84	1.84	1.84	1.85	1.85	1.85	1.85
	50	TC	3.65	3.68	3.71	3.73	3.91	3.91	3.93	3.96	4.02	4.02	4.02	4.05	4.37	4.37	4.37	4.37
		S/T	0.86	1.00	1.00	1.00	0.65	0.78	0.91	1.00	0.55	0.68	0.81	0.94	0.33	0.45	0.57	0.97
		PI	1.98	1.98	1.98	1.98	1.99	1.99	1.99	1.99	1.99	1.99	1.99	1.99	2.01	2.01	2.01	2.01

TC:Total Cooling Capacity (kW)

S/T:Sensible Cooling Capacity Ratio

PI:Power Input(kW)

**Note: The table shows the case where the operation frequency of a compressor is fixed.**

Indoor unit IC3-Y 27M compatible with multiple outdoor units.

To verify the performance of the outdoor unit, consult the documentation of the selected unit

## 7.2 Heating

		12k				[SI_Unit]			
INDOOR AIRFLOW (CMH)	OUTDOOR DB(°C)	HEATING PERFORMANCE AT INDOOR DRY BULB TEMPERATURE							
		TC:TOTAL CAPACITY IN KILOWATTS (KW)				PI:TOTAL POWER IN KILOWATTS (KW)			
		Indoor Conditions (DB °C )				Indoor Conditions (DB °C )			
		16.0	20.0	22.0	24.0	16.0	20.0	22.0	24.0
490	-15.0	2.77	2.74	2.74	2.72	1.19	1.24	1.21	1.21
	-10.0	2.96	2.93	2.93	2.90	1.27	1.32	1.29	1.29
	-7.0	3.10	3.07	3.07	3.04	1.35	1.40	1.37	1.37
	-5.6	3.13	3.10	3.10	3.07	1.31	1.32	1.32	1.33
	-2.8	3.16	3.13	3.13	3.10	1.23	1.24	1.24	1.24
	0.0	3.16	3.13	3.10	3.10	1.17	1.17	1.17	1.17
	2.8	3.27	3.24	3.21	3.18	1.10	1.10	1.10	1.10
	5.6	3.47	3.44	3.42	3.39	1.04	1.03	1.03	1.03
	7.0	3.72	3.69	3.64	3.61	1.00	0.96	0.99	0.99
	11.1	3.87	3.81	3.78	3.75	0.90	0.89	0.88	0.88
	13.9	3.96	3.93	3.90	3.87	0.83	0.81	0.81	0.80
	16.7	4.07	4.01	3.98	3.96	0.76	0.74	0.73	0.72
18.0	4.13	4.07	4.04	4.01	0.72	0.70	0.69	0.69	
580	-15.0	2.84	2.81	2.79	2.79	1.20	1.25	1.22	1.22
	-10.0	3.03	3.00	2.97	2.97	1.28	1.33	1.30	1.30
	-7.0	3.17	3.14	3.12	3.12	1.36	1.41	1.38	1.38
	-5.6	3.21	3.18	3.16	3.16	1.32	1.33	1.33	1.34
	-2.8	3.24	3.21	3.18	3.18	1.24	1.25	1.25	1.26
	0.0	3.24	3.21	3.18	3.16	1.18	1.18	1.18	1.18
	2.8	3.36	3.30	3.27	3.27	1.11	1.11	1.11	1.11
	5.6	3.56	3.53	3.50	3.47	1.05	1.04	1.04	1.04
	7.0	3.81	3.78	3.72	3.69	1.01	0.97	1.00	1.00
	11.1	3.96	3.90	3.87	3.84	0.91	0.90	0.89	0.89
	13.9	4.07	4.01	3.98	3.96	0.84	0.82	0.82	0.81
	16.7	4.16	4.10	4.07	4.04	0.77	0.75	0.74	0.73
18.0	4.22	4.16	4.13	4.10	0.73	0.71	0.70	0.69	
650	-15.0	2.87	2.85	2.85	2.82	1.22	1.26	1.24	1.24
	-10.0	3.07	3.04	3.04	3.01	1.30	1.35	1.32	1.32
	-7.0	3.21	3.18	3.18	3.16	1.38	1.43	1.40	1.40
	-5.6	3.24	3.21	3.21	3.18	1.34	1.35	1.35	1.35
	-2.8	3.27	3.24	3.21	3.21	1.26	1.27	1.27	1.27
	0.0	3.27	3.24	3.21	3.18	1.19	1.19	1.19	1.19
	2.8	3.39	3.33	3.30	3.30	1.13	1.12	1.12	1.12
	5.6	3.59	3.56	3.53	3.50	1.06	1.05	1.05	1.05
	7.0	3.84	3.81	3.75	3.72	1.03	0.98	1.02	1.01
	11.1	3.98	3.93	3.90	3.87	0.92	0.91	0.90	0.90
	13.9	4.10	4.04	4.01	3.98	0.85	0.83	0.82	0.82
	16.7	4.19	4.13	4.10	4.07	0.77	0.76	0.75	0.74
18.0	4.25	4.19	4.16	4.13	0.74	0.72	0.71	0.70	

Note: The table shows the case where the operation frequency of a compressor is fixed.

18k								[SI_Unit]	
INDOOR AIRFLOW (CMH)	HEATING PERFORMANCE AT INDOOR DRY BULB TEMPERATURE								
	OUTDOOR DB(°C)	TC:TOTAL CAPACITY IN KILOWATTS (KW)				PI:TOTAL POWER IN KILOWATTS (KW)			
		Indoor Conditions (DB °C )				Indoor Conditions (DB °C )			
		16.0	20.0	22.0	24.0	16.0	20.0	22.0	24.0
600	-15.0	4.30	4.27	4.25	4.22	1.57	1.62	1.60	1.60
	-10.0	4.59	4.56	4.53	4.51	1.67	1.73	1.70	1.71
	-7.0	4.81	4.78	4.75	4.72	1.78	1.84	1.81	1.82
	-5.6	4.78	4.75	4.72	4.69	1.74	1.76	1.77	1.78
	-2.8	4.75	4.69	4.66	4.63	1.66	1.68	1.69	1.70
	0.0	4.66	4.60	4.58	4.55	1.59	1.60	1.61	1.62
	2.8	4.72	4.66	4.63	4.60	1.53	1.54	1.55	1.55
	5.6	4.92	4.87	4.84	4.81	1.47	1.48	1.48	1.49
	7.0	5.16	5.10	5.07	5.01	1.45	1.43	1.47	1.47
	11.1	5.25	5.19	5.13	5.10	1.36	1.36	1.36	1.36
	13.9	5.30	5.22	5.19	5.16	1.29	1.29	1.29	1.29
	16.7	5.36	5.28	5.25	5.19	1.22	1.22	1.22	1.22
18.0	5.39	5.30	5.28	5.22	1.19	1.19	1.19	1.18	
690	-15.0	4.37	4.35	4.32	4.30	1.58	1.64	1.61	1.62
	-10.0	4.67	4.64	4.62	4.59	1.68	1.75	1.72	1.73
	-7.0	4.89	4.86	4.84	4.81	1.79	1.85	1.83	1.84
	-5.6	4.87	4.84	4.81	4.78	1.75	1.77	1.78	1.79
	-2.8	4.84	4.78	4.75	4.75	1.68	1.70	1.70	1.71
	0.0	4.75	4.69	4.66	4.63	1.60	1.62	1.62	1.63
	2.8	4.81	4.75	4.72	4.69	1.54	1.55	1.56	1.57
	5.6	5.04	4.95	4.92	4.89	1.48	1.49	1.50	1.50
	7.0	5.31	5.22	5.19	5.13	1.47	1.44	1.48	1.48
	11.1	5.36	5.30	5.25	5.22	1.37	1.37	1.37	1.37
	13.9	5.42	5.36	5.30	5.28	1.30	1.30	1.30	1.30
	16.7	5.51	5.42	5.36	5.33	1.23	1.23	1.23	1.22
18.0	5.54	5.45	5.39	5.36	1.20	1.19	1.19	1.19	
780	-15.0	4.43	4.40	4.37	4.35	1.60	1.66	1.63	1.64
	-10.0	4.73	4.70	4.67	4.64	1.71	1.77	1.74	1.75
	-7.0	4.95	4.92	4.89	4.86	1.82	1.88	1.85	1.86
	-5.6	4.92	4.89	4.87	4.84	1.77	1.79	1.80	1.81
	-2.8	4.89	4.84	4.81	4.78	1.70	1.71	1.72	1.73
	0.0	4.81	4.75	4.72	4.69	1.62	1.63	1.64	1.65
	2.8	4.87	4.81	4.78	4.75	1.56	1.57	1.57	1.58
	5.6	5.10	5.01	4.98	4.95	1.50	1.50	1.51	1.51
	7.0	5.37	5.28	5.25	5.19	1.48	1.45	1.49	1.49
	11.1	5.42	5.36	5.30	5.28	1.38	1.38	1.38	1.38
	13.9	5.51	5.42	5.36	5.33	1.31	1.30	1.30	1.30
	16.7	5.57	5.48	5.42	5.39	1.24	1.23	1.23	1.23
18.0	5.59	5.51	5.45	5.42	1.20	1.20	1.19	1.19	

Note: The table shows the case where the operation frequency of a compressor is fixed.

Indoor unit IC3-Y 27M compatible with multiple outdoor units.

To verify the performance of the outdoor unit, consult the documentation of the selected unit

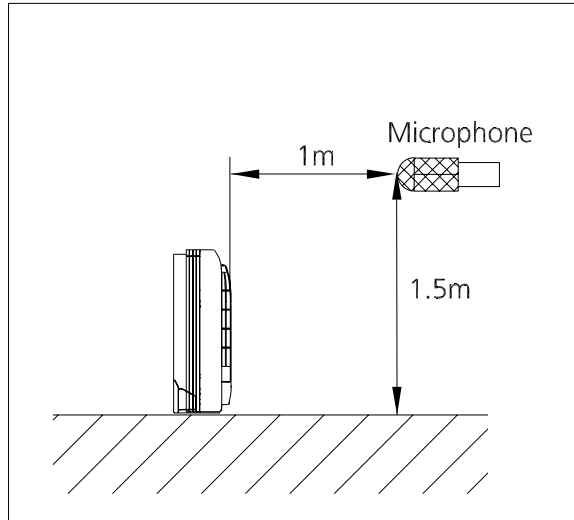
## 9. Capacity Correction Factor for Height Difference

Capacity (Btu/h)		12K		Pipe Length (m)			
Cooling				5	10	20	25
Height difference H (m)	Indoor Upper than Outdoor	10			0.973	0.948	0.936
		5	0.995		0.983	0.958	0.945
		0	1.000		0.988	0.963	0.950
	Outdoor Upper than Indoor	-5	1.000		0.988	0.963	0.950
		-10			0.988	0.963	0.950
Heating				5	10	20	25
Height difference H (m)	Indoor Upper than Outdoor	10			0.993	0.978	0.970
		5	1.000		0.993	0.978	0.970
		0	1.000		0.993	0.978	0.970
	Outdoor Upper than Indoor	-5	0.992		0.985	0.970	0.962
		-10			0.977	0.962	0.955

Capacity (Btu/h)		18K		Pipe Length (m)			
Cooling				5	10	20	30
Height difference H (m)	Indoor Upper than Outdoor	20				0.928	0.912
		10			0.969	0.937	0.921
		5	0.995		0.979	0.946	0.930
		0	1.000		0.984	0.951	0.935
	Outdoor Upper than Indoor	-5	1.000		0.984	0.951	0.935
		-10			0.984	0.951	0.935
		-20				0.951	0.935
Heating				5	10	20	30
Height difference H (m)	Indoor Upper than Outdoor	20				0.982	0.976
		10			0.994	0.982	0.976
		5	1.000		0.994	0.982	0.976
		0	1.000		0.994	0.982	0.976
	Outdoor Upper than Indoor	-5	0.992		0.986	0.974	0.968
		-10			0.978	0.966	0.960
		-20				0.959	0.953

## 10. Noise Criterion Curves

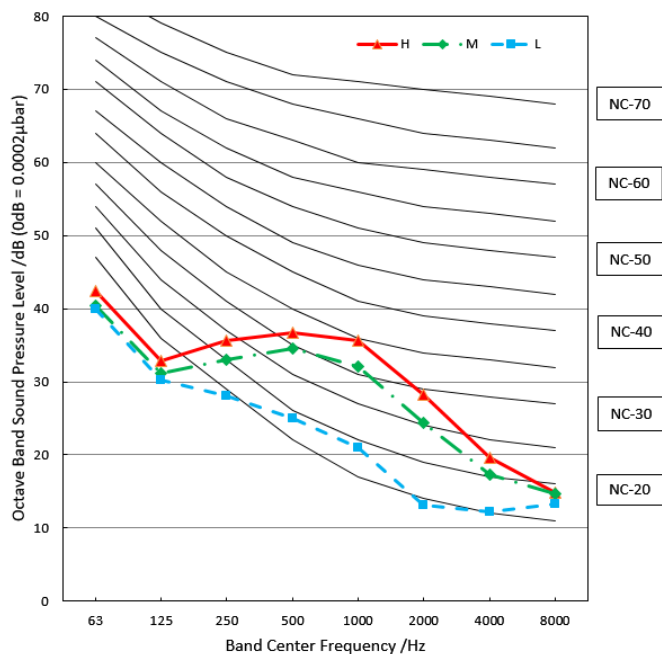
### 10.1 Indoor Unit



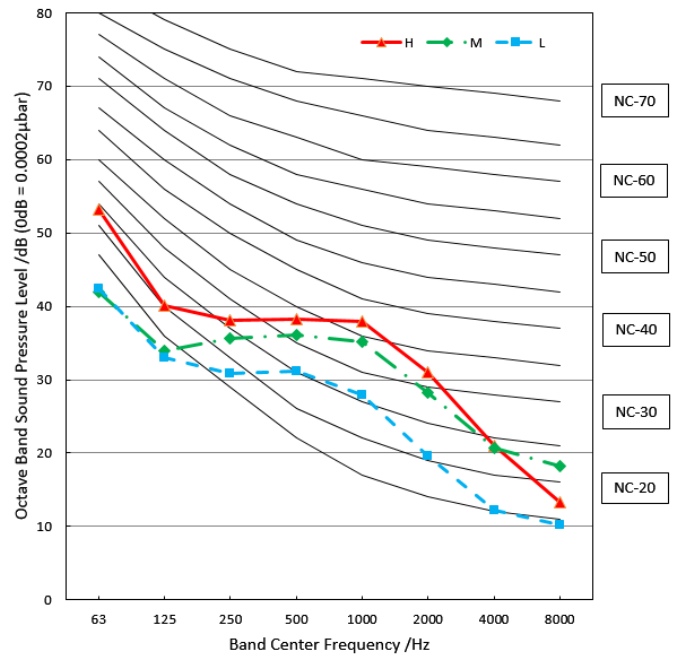
Notes:

- Sound measured at 1.5m away from the noisiest location of the unit.
- Data is valid at free field condition
- Data is valid at nominal operation condition
- Reference acoustic pressure  $OdB = 20\mu Pa$
- Sound level will vary depending on a range of factors such as the construction -(acoustic absorption coefficient) of particular room in which the equipment is installed.
- The operating conditions are assumed to be standard.

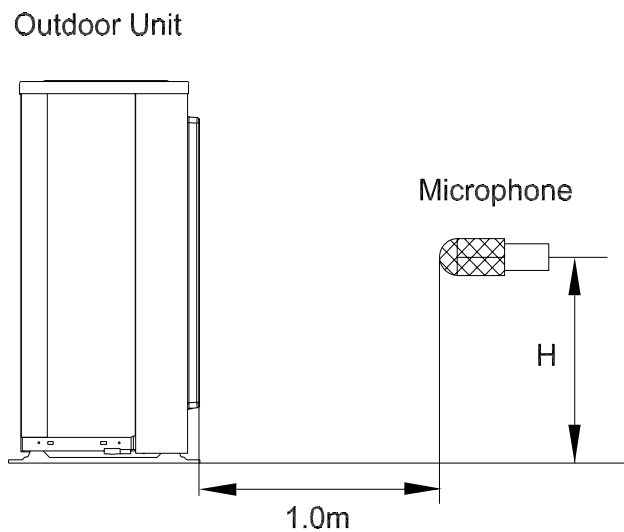
IC3-Y 27M - IC3-Y 35M



IC3-Y 53M



## 10.2 Outdoor Unit



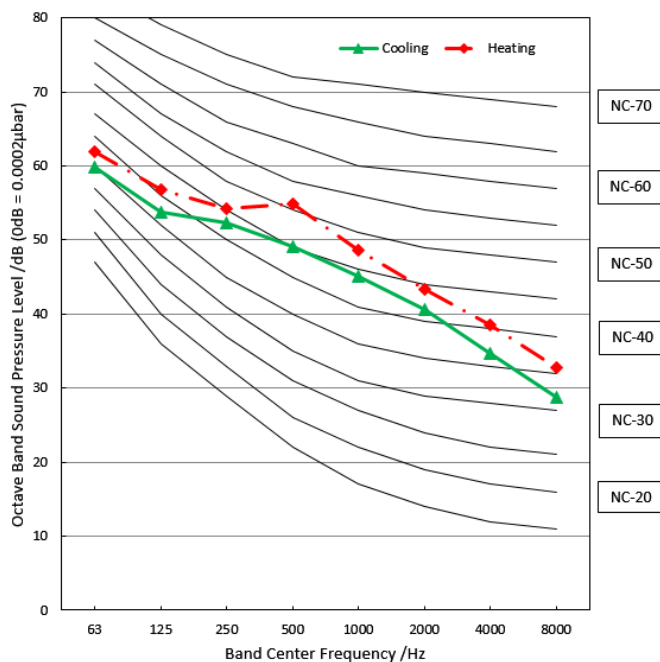
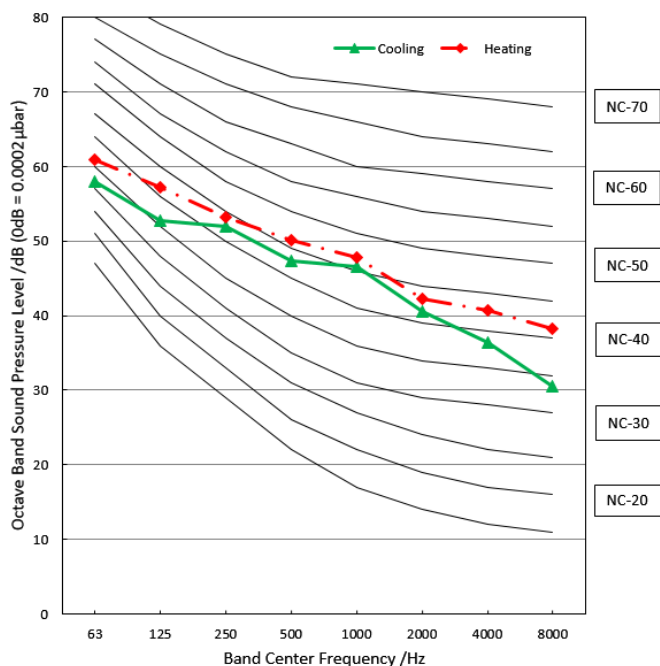
Note:  $H = 0.5 \times$  height of outdoor unit

Notes:

- Sound measured at 1.0m away from the center of the unit.
- Data is valid at free field condition
- Data is valid at nominal operation condition
- Reference acoustic pressure  $OdB=20\mu Pa$
- Sound level will vary depending on arrange off actors such as the construction (acoustic absorption coefficient) of particular room in which the equipment is installed.
- The operating conditions are assumed to be standard.

MC3-Y 35M

MC3-53Y





## 11. Electrical Characteristics

Capacity (Btu/h)		9k	12k	18k
Outdoor Unit Power	Phase	1-Phase	1-Phase	1-Phase
	Frequency and Voltage	220-240V, 50Hz	220-240V, 50Hz	220-240V, 50Hz
	Power Wiring (mm <sup>2</sup> )	3x1,5	3x1,5	3x1,5
	Circuit Breaker/Fuse (A)	20/16	20/16	20/16
Indoor/Outdoor Connection Wiring	Weak Electric Signal (mm <sup>2</sup> )			
	Strong Electric Signal (mm <sup>2</sup> )	4x1.0(4x2.5 with auxiliary electric heater)	4x1.0(4x2.5 with auxiliary electric heater)	4x1.0(4x2.5 with auxiliary electric heater)

NOTE: Electric auxiliary heating type circuit breaker/fuse need to add more than 10 A.



---

# Product Features

## Contents

<b>1.</b>	<b>Operation Modes and Functions .....</b>	<b>32</b>
1.1	Abbreviations .....	32
1.2	Safety Features .....	32
1.3	Display Function .....	32
1.4	Fan.....	33
1.5	Cooling Mode .....	33
1.6	Heating Mode (Heat pump models).....	34
1.7	Auto Mode.....	35
1.8	Drying Mode .....	35
1.9	Forced operation Function .....	35
1.10	Timer Function .....	35
1.11	Sleep Function.....	36
1.12	Auto-Restart.....	36
1.13	8°C Heating .....	36
1.14	Follow Me .....	36
1.15	Silence.....	36
1.16	ECO .....	36
1.17	Electrical energy consumption control function.....	36
1.18	Active Clean function .....	36
<b>2.</b>	<b>Remote Controller Functions .....</b>	<b>37</b>
2.2	LCD Wired Remote Controller(Opional) .....	37
2.3	Centralized Controller(Opional) .....	40

# 1. Operation Modes and Functions

## 1.1 Abbreviation

Unit element abbreviations

Abbreviation	Element
T1	Indoor room temperature
T2	Coil temperature of evaporator
T3	Coil temperature of condenser
T4	Outdoor ambient temperature
TP	Compressor discharge temperature
Tsc	Adjusted setting temperature
CDIFTEMP	Cooling shutdown temperature
HDIFTEMP2	Heating shutdown temperature
TCDE1	Exit defrost temperature1
TCDE2	Exit defrost temperature2 (maintain for a period of time )
TIMING_DEFROST_TIME	Enter defrost time

In this manual, such as CDIFTEMP, HDIFTEMP2, TCDE1, TCDE2, TIMING\_DEFROST\_TIME...etc., they are well-setting parameter of EEPROM.

## 1.2 Safety Features

### Compressor three-minute delay at restart

Compressor functions are delayed for up to ten seconds upon the first startup of the unit, and are delayed for up to three minutes upon subsequent unit restarts.

### Automatic shutoff based on discharge temperature

If the compressor discharge temperature exceeds a certain level for nine seconds, the compressor ceases operation.

### Automatic shutoff based on fan speed

If the indoor fan speed registers below 200RPM or over 2100RPM for an extended period of time, the unit ceases operation

### Inverter module protection

The inverter module has an automatic shutoff mechanism based on the unit's current, voltage, and temperature. If automatic shutoff is initiated, the corresponding error code is displayed on the indoor unit and the unit ceases operation.

### Indoor fan delayed operation

- When the unit starts, the louver is automatically

activated and the indoor fan will operate after a period of setting time or the louver is in place.

- If the unit is in heating mode, the indoor fan is regulated by the anti-cold wind function.

### Compressor preheating

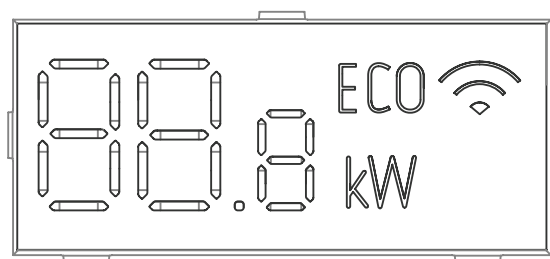
Preheating is automatically activated when T4 sensor is lower than setting temperature.

### Sensor redundancy and automatic shutoff

- If one temperature sensor malfunctions, the air conditioner continues operation and displays the corresponding error code, allowing for emergency use.
- When more than one temperature sensor is malfunctioning, the air conditioner ceases operation.

## 1.3 Display Function

Unit display functions



Display	Function
ECO	ECO function (available on select units only)
📶	When Wireless Control feature is activated (some units)
88.8	Temperature value
ON (3s)	Timer ON is set.
OF (3s)	Activation of Swing, Boost, Silence or UV-C lamp
DF (3s)	Timer OFF is set.
df	Cancellation of Swing, Boost, Silence or UV-C lamp
DF	Defrost
CL	Active Clean
FP	Heating in room temperature under 8°C(46°F)

**Note: Please select the display function according to your purchase product.**

## 1.4 Fan Mode

When fan mode is activated:

- The outdoor fan and compressor are stopped.
- Temperature control is disabled and no temperature setting is displayed.
- The indoor fan speed can be set to 1%~100%, or low, medium, high and auto.
- The louver operations are identical to those in cooling mode.
- Auto fan: In fan-only mode, AC operates the same as auto fan in cooling mode with the temperature set at 24°C.

## 1.5 Cooling Mode

### 1.5.1 Compressor Control

Reach the configured temperature:

- 1) When the compressor runs continuously for less than 120 minutes.
  - If the following conditions are satisfied, the compressor ceases operation.
    - While calculated frequency(fb) is less than minimum limit frequency(FminC).
    - While protective time is more than or equal to ten minutes.
    - While T1 is lower than or equal to (Tsc-CDIFTEMP-0.5°C)
- 2) When the compressor runs continuously for more than 120 minutes.
  - If the following conditions are satisfied, the compressor ceases operation.
    - When calculated frequency(fb) is less than minimum limit frequency(FminC).
    - When protective time is more than or equal to ten minutes.
    - When T1 is lower than or equal to (Tsc-CDIFTEMP).
- 3) If one of the following conditions is satisfied, not judge protective time.
  - Compressor running frequency is more than test frequency.
  - When compressor running frequency is equal to test frequency, T4 is more than 15°C or T4 fault.
  - Change setting temperature.
  - Turbo or sleep function on/off
  - Various frequency limit shutdown occurs.

### 1.5.2 Indoor Fan Control

- 1) In cooling mode, the indoor fan operates continuously. The fan speed can be set to 1%-100%, or low, medium, high and auto.

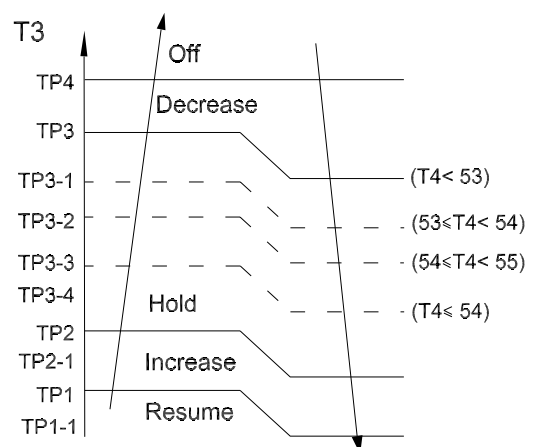
- 2) Auto fan action in cooling mode:

- Descent curve
  - When T1-Tsc is lower than or equal to 3.5°C, fan speed reduces to 80%;
  - -When T1-Tsc is lower than or equal to 1°C, fan speed reduces to 60%;
  - -When T1-Tsc is lower than or equal to 0.5°C, fan speed reduces to 40%;
  - -When T1-Tsc is lower than or equal to 0°C, fan speed reduces to 20%;
  - -When T1-Tsc is lower than or equal to -0.5°C, fan speed reduces to 1%.
- Rise curve
  - When T1-Tsc is higher than 0°C, fan speed increases to 20%;
  - -When T1-Tsc is higher than 0.5°C, fan speed increases to 40%;
  - -When T1-Tsc is higher than 1°C, fan speed increases to 60%;
  - -When T1-Tsc is higher than 1.5°C, fan speed increases to 80%;
  - -When T1-Tsc is higher than 4°C, fan speed increases to 100%.

### 1.5.3 Outdoor Fan Control

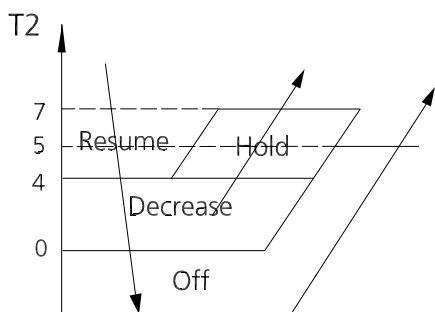
- The outdoor unit will be run at different fan speed according to T4 and compressor frequency.
- For different outdoor units, the fan speeds are different.

### 1.5.4 Condenser Temperature Protection



When the condenser temperature exceeds a configured value, the compressor ceases operation.

## 1.5.5 Evaporator Temperature Protection



- Off: Compressor stops.
- Decrease: Decrease the running frequency to the lower level per 1 minute.
- Hold: Keep the current frequency.
- Resume: No limitation for frequency.

## 1.6 Heating Mode(Heat Pump Units)

### 1.6.1 Compressor Control

1) Reach the configured temperature

- If the following conditions are satisfied, the compressor ceases operation.
  - While calculated frequency(fb) is less than minimum limit frequency(FminH).
  - When protective time is more than or equal to ten minutes.
  - When T1 is higher than or equal to Tsc+HDIFTEMP2.

Note: HDIFTEMP2 is EEPROM setting parameter. It is 2°C usually.

- If one of the following conditions is satisfied, not judge protective time.
  - Compressor running frequency is more than test frequency.
  - When compressor running frequency is equal to test frequency, T4 is more than 15°C or T4 fault.
  - Change setting temperature.
  - Turbo or sleep function on/off.

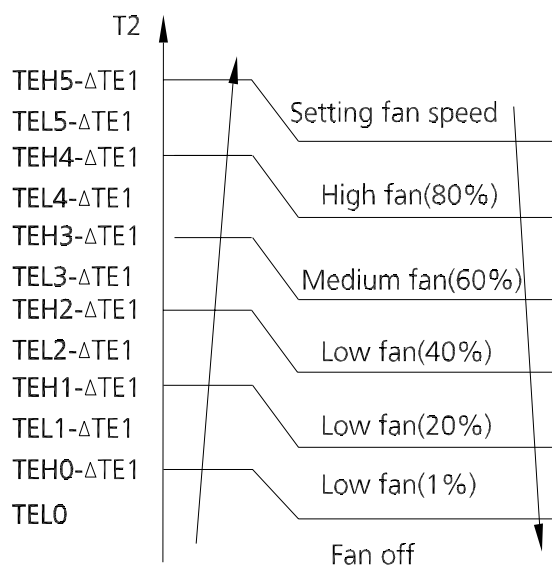
2) When the current is higher than the predefined safe value, surge protection is activated, causing the compressor to cease operations.

### 1.6.2 Indoor Fan Control:

1) In heating mode, the indoor fan operates continuously. The fan speed can be set to 1%-100%, or low, medium, high and auto.

- . Anti-cold air function
  - The indoor fan is controlled by the indoor temperature T1 and indoor unit coil temperature

T2.



$\Delta TE1=0$

2) Auto fan action in heating mode:

- Rise curve
  - When T1-Tsc is higher than -1.5°C, fan speed reduces to 80%;
  - -When T1-Tsc is higher than 0°C, fan speed reduces to 60%;
  - -When T1-Tsc is higher than 0.5°C, fan speed reduces to 40%;
  - -When T1-Tsc is higher than 1°C, fan speed reduces to 20%.
- Descent curve
  - When T1-Tsc is lower than or equal to 0.5°C, fan speed increases to 20%;
  - -When T1-Tsc is lower than or equal to 0°C, fan speed increases to 60%;
  - -When T1-Tsc is lower than or equal to -1.5°C, fan speed increases to 80%;
  - -When T1-Tsc is lower than or equal to -3°C, fan speed increases to 100%.

### 1.6.3 Outdoor Fan Control:

- The outdoor unit will be run at different fan speed according to T4 and compressor frequency.
- For different outdoor units, the fan speeds are different.

### 1.6.4 Defrosting mode

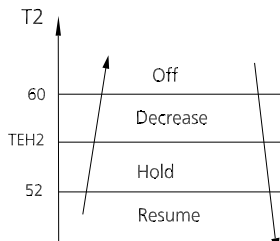
- The unit enters defrosting mode according to the temperature value of T3 and T4 as well as the compressor running time.
- In defrosting mode, the compressor continues to run,

the indoor and outdoor motor will cease operation, the defrost light of the indoor unit will turn on, and the "df" symbol is displayed.



- If any one of the following conditions is satisfied, defrosting ends and the machine switches to normal heating mode:
  - T3 rises above TCDE1.
  - T3 maintained above TCDE2 for 80 seconds.
  - Unit runs for 15 minutes consecutively in defrosting mode.
- If T4 is lower than or equal to -22°C and compressor running time is more than TIMING\_DEFROST\_TIME, if any one of the following conditions is satisfied, defrosting ends and the machine switches to normal heating mode:
  - Unit runs for 10 minutes consecutively in defrosting mode.
  - T3 rises above 10°C.

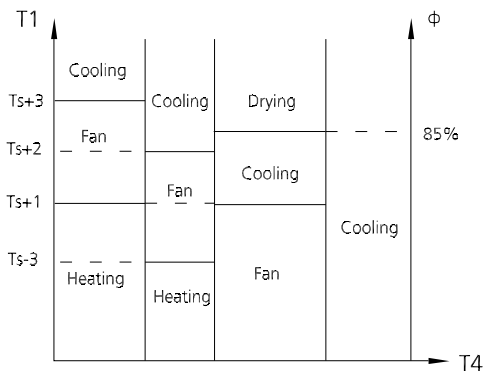
### 1.6.5 Evaporator Coil Temperature Protection



- Off: Compressor stops.
- Decrease: Decrease the running frequency to the lower level per 20 seconds.
- Hold: Keep the current frequency.
- Resume: No limitation for frequency.

### 1.7 Auto Mode

- This mode can be selected with the remote controller and the temperature setting can be adjusted between 16°C~30°C.
- In auto mode, the machine selects cooling, heating, auto-drying or fan-only mode on the basis of T1, Ts, T4 and relative humidity.



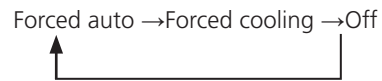
### 1.8 Drying Mode

- In drying mode, AC operates the same as auto fan in cooling mode.
- All protections are activated and operate the same as they do that in cooling mode.
- Low Room Temperature Protection

If the room temperature is lower than 10°C, the compressor ceases operations and does not resume until room temperature exceeds 12°C.

### 1.9 Forced Operation Function

Press the AUTO/COOL button, the AC will run as below sequence:



- Forced cooling mode:

The compressor and outdoor fan continue to run and the indoor fan runs at breeze speed. After running for 30 minutes, the AC will switch to auto mode with a preset temperature of 24°C(76°F).

- Forced auto mode:

Forced auto mode operates the same as normal auto mode with a preset temperature of 24°C(76°F).

- The unit exits forced operation when it receives the following signals:
  - Switch off
  - Changes in:
    - mode
    - fan speed
    - sleep mode
    - Follow me

### 1.10 Timer Function

- The timing range is 24 hours.
- Timer On. The machine turns on automatically at the preset time.
- Timer Off. The machine turns off automatically at the preset time.
- Timer On/Off. The machine turns on automatically at the preset On Time, and then turns off automatically at the preset Off Time.
- Timer Off/On. The machine turns on automatically at the preset Off Time and then turns off automatically at the preset On Time.
- The timer does not change the unit operation mode. If the unit is off now, it does not start up immediately after the "timer off" function is set. When the setting

time is reached, the timer LED switches off and the unit running mode remains unchanged.

- The timer uses relative time, not clock time

### 1.11 Sleep function

- The sleep function is available in cooling, heating, or auto mode.
- The operational process for sleep mode is as follows:
  - When cooling, the temperature rises 1°C (to not higher than 30°C/86°F) every hour. After 2 hours, the temperature stops rising and the indoor fan is fixed at low speed.
  - When heating, the temperature decreases 1°C (to not lower than 16°C/60.8°F) every hour. After 2 hours, the temperature stops decreasing and the indoor fan is fixed at low speed. Anti-cold wind function takes priority.
- The operating time for sleep mode is 8 hours, after which, the unit exits this mode.
- The timer setting is available in this mode.

### 1.12 Auto-Restart function

- The indoor unit has an auto-restart module that allows the unit to restart automatically. The module automatically stores the current settings and in the case of a sudden power failure, will restore those setting automatically within 3 minutes after power returns.

### 1.13 8°C Heating

In heating mode, the temperature can be set to as low as 8°C, preventing the indoor area from freezing if unoccupied during severe cold weather.

### 1.14 Follow me

- If you press "Follow Me" on the remote, the indoor unit will beep. This indicates the follow me function is active.
- Once active, the remote control will send a signal every 3 minutes, with no beeps. The unit automatically sets the temperature according to the measurements from the remote control.
- The unit will only change modes if the information from the remote control makes it necessary, not from the unit's temperature setting.
- If the unit does not receive a signal for 7 minutes or you press "Follow Me," the function turns off. The unit regulates temperature based on its own sensor and settings.

### 1.15 Silence

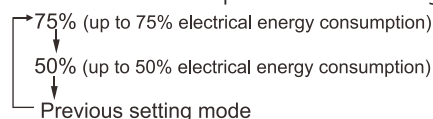
- Press "Silence" on the remote control to enable the SILENCE function. While this function is active, the compressor frequency is maintained at a lower level than F3. The indoor unit will run at faint breeze(1%), which reduces noise to the lowest possible level.
- When match with multi outdoor unit, this function is disabled.

### 1.16 ECO Function

- Used to enter the energy efficient mode.
  - Under cooling mode, press ECO button, the remote controller will adjust the temperature automatically to 24°C/75°F, fan speed of Auto to save energy (but only if the set temperature is less than 24°C/75°F). If the set temperature is more than 24°C/75°F and 30°C/86°F, press the ECO button, the fan speed will change to Auto, the set temperature will remain unchanged.
- When pressing the ECO button, or modifying the mode or adjusting the set temperature to less than 24°C/75°F, the AC will quit the ECO operation.
- Operation time in ECO mode is 8 hours. After 8 hours the AC quits this mode.

### 1.17 Electrical energy consumption control function

Press the "Gear" button on remote controller to enter the energy efficient mode in a sequence of following:



Turn off the unit or activate ECO, sleep, Super cool, 8°C Heating, Silence or self clean function will quit this function.

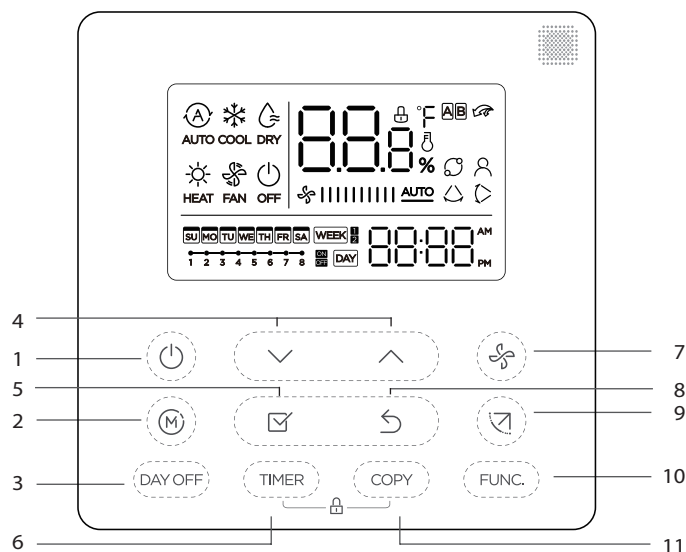
### 1.18 Active Clean function

- The Active Clean Technology washes away dust, mold, and grease that may cause odors when it adheres to the heat exchanger by automatically freezing and then rapidly thawing the frost. The internal wind wheel then keeps operating to blow-dry the evaporator, thus preventing the growth of mold and keeping the inside clean.
- When this function is turned on, the indoor unit display window appears "CL", after 20 to 45 minutes, the unit will turn off automatically and cancel Active Clean function.



## 2.2.4 LCD Wired Remote Controller KJR-120X/TFBG-E(Optional)

### 1) Buttons and Functions



#### 1. POWER button

Turn on or turn off the unit.

#### 2. MODE button

Used to select the operation mode: Auto / Cooling / Drying / Heating / Fan;

#### 3. DAY OFF/DEL button

To set 1 to 2 hours delay off for each day or a whole day off in a weekly timer schedule.

#### 4. Adjust button

To set temperature, time and timer

#### 5. CONFIRM button

To confirm an setting or call up the superior menu

#### 6. TIMER button

To set timer on and timer off time of one day

7. FAN SPEED button

#### 8. BACK button

Back to previous operation or superior menu

#### 9. Swing Button

Press to active vertical swing, hold for horizontal swing

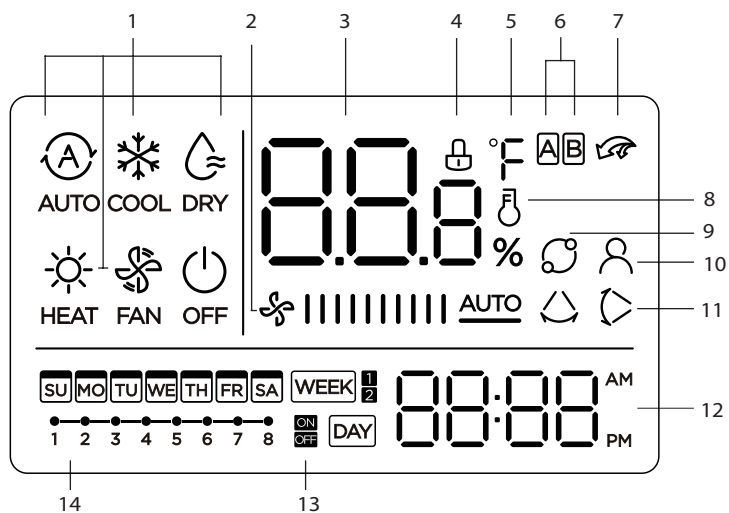
#### 10. FUNC. button

Press the FUNC. button to set the turbo or rotating or I feel function.

#### 11. COPY button

To copy timer setting of one day to another in weekly schedule setting.

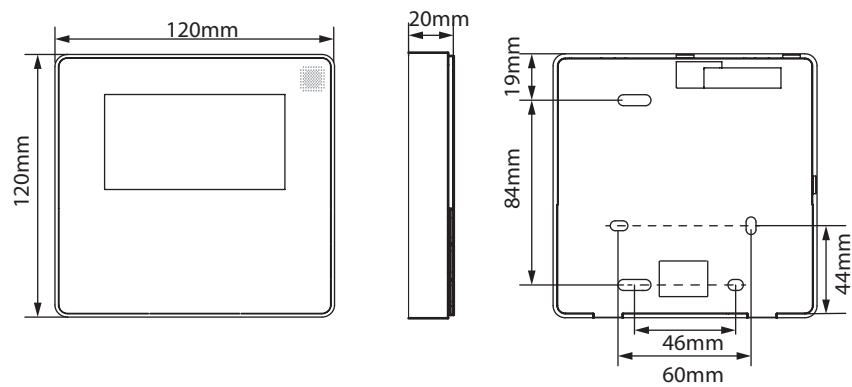
## 2) LCD Screen



- |  |   |
|--|---|
| 1 Operation mode indication                  | 8 Room temperature indication                   |
| 2 Fan speed indication                       | 9 Rotating indication                           |
| 3 Temperature display                        | 10 Follow Me function indication                |
| 4 Lock indication                            | 11 Left-right swing indication<br>(some models) |
| 5 °C / °F indication                         | 12 Clock display                                |
| 6 Main unit and secondary unit<br>indication | 13 On/Of timer                                  |
| 7 Turbo function indication                  | 14 Timer display                                |

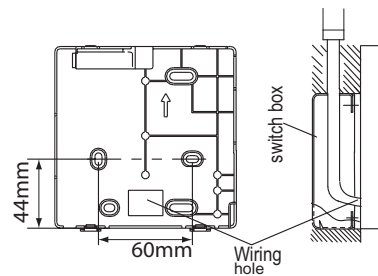
### 3) Installation

#### Dimensions



#### 4) Connection

- **Wire with the indoor unit:**

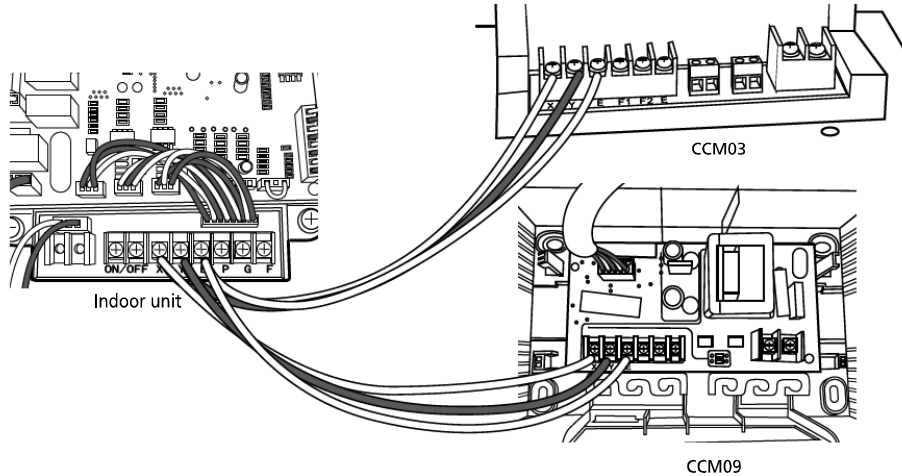


- 1: Indoor Unit.
- 2: Notch the part for the wiring to pass through with a nipper tool.

## 2.3 Centralized Controller(Optional)

### 1) Connection

For Light commercial air conditioner with XYE port, it can be directly connected to Centralized Controller (CCM03, CCM09).



### 2) Address setting

When setting the address, please make sure the unit is powered off. The address can be set from 0 to 63 by the switch. Turn on the unit, then the address will be effective.

SWITCH		FOR CCM UNIT ADDRESS	
S2 +			
S1			
ADDRESS	0~15		16~31
Factory Setting	✓		
S2 +			
S1			
ADDRESS	32~47		48~63
Factory Setting			

Note: For light commercial air conditioner with XYE port, it can be also connected to BMS (Building Management System).

If there is any CAC (central air conditioner ) connecting with the central controller at the same time, please set the address from largest (63,62,61...), since the CAC units could obtain address automatically from the smallest (00,01,02...)


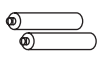

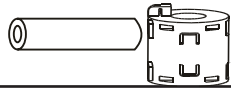
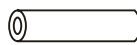







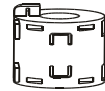
---

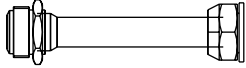
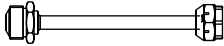
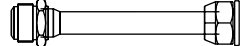
# Installation

## Contents

Accessories .....	42
1. Installation Overview .....	44
2. Location Selection .....	45
3. Indoor Unit Installation .....	46
4. Outdoor Unit Installation.....	48
5. Drainage Pipe Installation.....	49
6. Refrigerant Pipe Installation.....	50
7. Vacuum Drying and Leakage Checking.....	51
8. Additional Refrigerant Charge .....	52
9. Engineering of Insulation .....	53
10. Engineering of Electrical Wiring.....	54
11. Test Operation .....	54

## Accessories

Name	Shape	Quantity
Remote controller		1
Battery (some models)		2
Wired remote controller(some models)		1
Manual	-	2-4
Air freshening filter (some models)		2
Soundproof/insulation sheath (some models)		2
Heat insulation pipe		1
Anchor		6(depending on models)
Mounting plate fixing screw		6(depending on models)
Copper nut		2
Hook		2
Drain joint (some models)		1
Seal ring (some models)		1
Magnetic ring (wrap the electric wires S1 & S2 ( P & Q & E ) around the magnetic ring twice)	 S1&S2(P&Q&E)	1
Magnetic ring (Hitch on the connective cable between the indoor unit and outdoor unit after installation.)(some models)		1

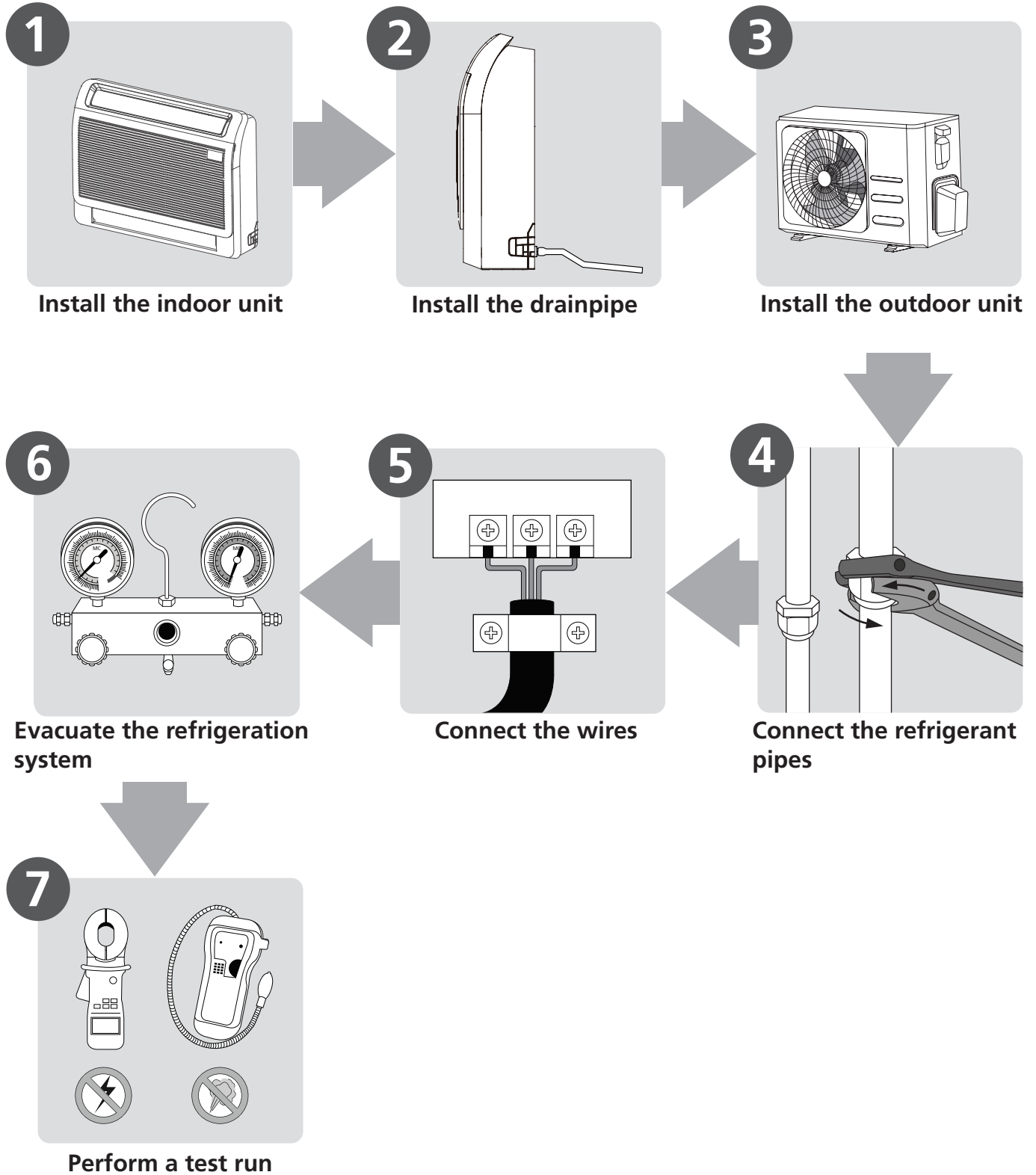
Transfer connector( $\Phi 12.7$ - $\Phi 15.9$ )/( $\Phi 0.5$ in- $\Phi 0.63$ in)(Packed with the indoor unit) NOTE: Pipe size may differ from appliance to appliance. To meet different pipe size requirements, sometimes the pipe connections need a transfer connector installed on the outdoor unit .		1 (on some models)
Transfer connector( $\Phi 6.35$ - $\Phi 9.52$ )/( $\Phi 0.25$ in- $\Phi 0.37$ in)(Packed with the indoor unit) NOTE: Pipe size may differ from appliance to appliance. To meet different pipe size requirements, sometimes the pipe connections need a transfer connector installed on the outdoor unit .		1 (on some models)
Transfer connector( $\Phi 9.52$ - $\Phi 12.7$ )/( $\Phi 0.375$ in- $\Phi 0.5$ in)(Packed with the indoor unit) NOTE: Pipe size may differ from appliance to appliance. To meet different pipe size requirements, sometimes the pipe connections need a transfer connector installed on the outdoor unit .		1 (on some models)
Red short connected wire (Applied to the W/L pin of outdoor unit terminal block be short-circuited.)	-	1 (on some models)

Optional accessories:

- There are two types of remote controls: wired and wireless.
- Select a remote controller based on customer preferences and requirements and install in an appropriate place.
- Refer to catalogues and technical literature for guidance on selecting a suitable remote controller.

# 1. Installation Overview

## Installation Order



Installation



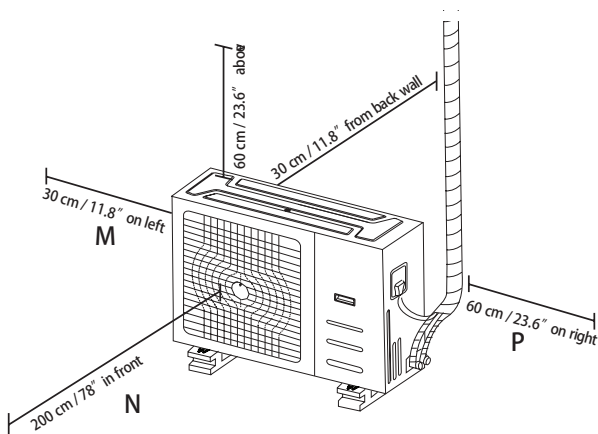
## 2. Location selection

2.1 Unit location selection can refer to installation manual.

2.2 **DO NOT** install the unit in the following locations:

- Where oil drilling or fracking is taking place.
- Coastal areas with high salt content in the air.
- Areas with caustic gases in the air, such as near hot springs.
- Areas with power fluctuations, such as factories.
- Enclosed spaces, such as cabinets.
- Areas with strong electromagnetic waves.
- Areas that store flammable materials or gas.
- Rooms with high humidity, such as bathrooms or laundry rooms.
- If possible, **DO NOT** install the unit where it is exposed to direct sunlight.

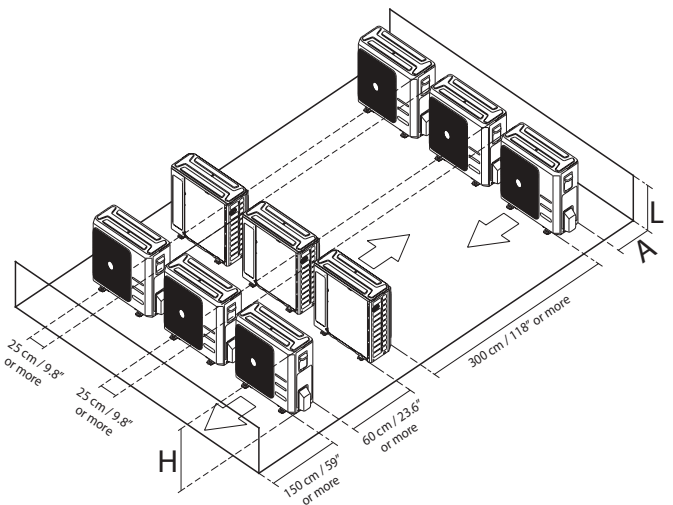
2.3 The minimum distance between the outdoor unit and walls described in the installation guide does not apply to airtight rooms. Be sure to keep the unit unobstructed in at least two of the three directions (M, N, P)



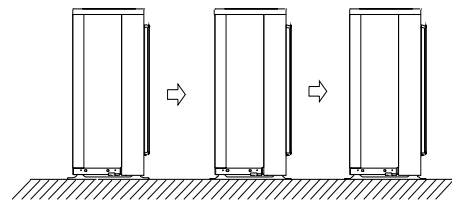
## 2.4 Rows of series installation

The relations between H, A and L are as follows.

	L	A
L ≤ H	L ≤ 1/2H	25 cm / 9.8" or more
	1/2H < L ≤ H	30 cm / 11.8" or more
L > H	Can not be installed	

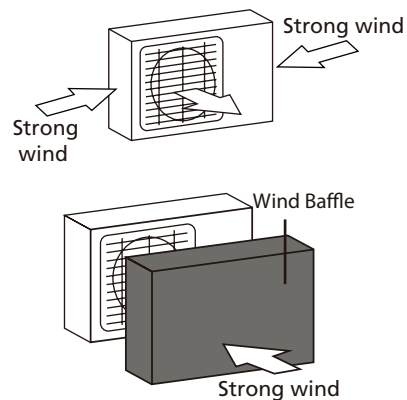


DO NOT install the rows of series like following figure.



## 2.5 If the unit is exposed to heavy wind:

- Install unit so that air outlet fan is at a 90° angle to the direction of the wind. If needed, build a barrier in front of the unit to protect it from extremely heavy winds.



## 2.6 If the unit is frequently exposed to heavy rain or snow:

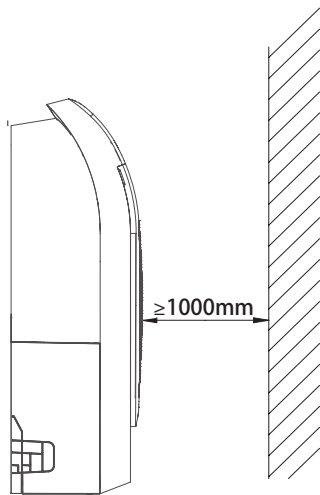
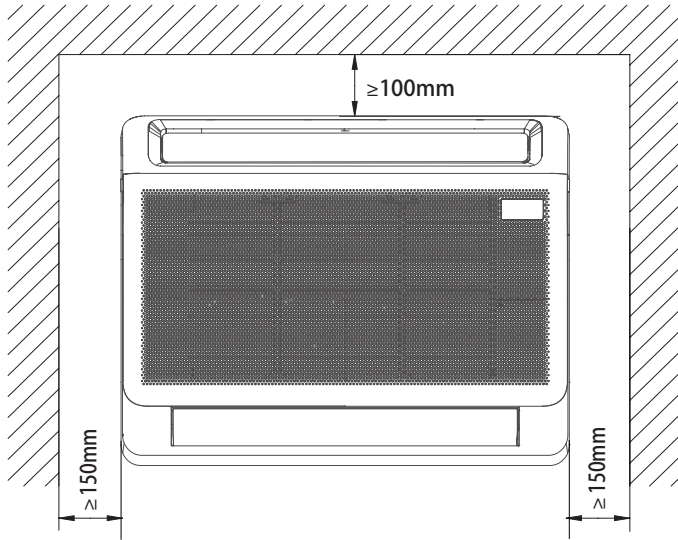
Build a shelter above the unit to protect it from the rain or snow. Be careful not to obstruct air flow around the unit.

## 2.7 If the unit is frequently exposed to salty air (seaside):

Use outdoor unit that is specially designed to resist corrosion.

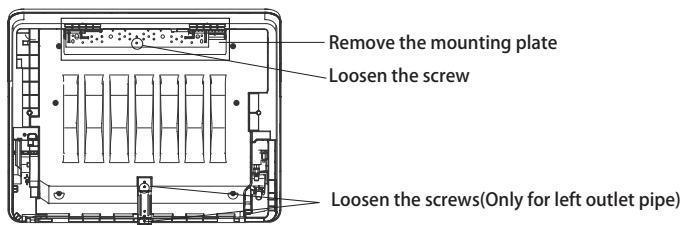
### 3. Indoor Unit Installation

#### 3.1 Service space for indoor unit



#### 3.2 Installing the main body

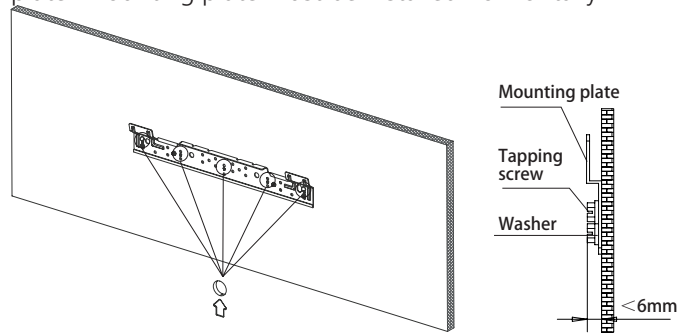
1. After loosening the screws, remove the mounting plate from the unit.



NOTE: If the pipe comes out on the left, it is necessary to loosen the screws on the bottom mounting plate. If the pipe comes out in other directions, it is not necessary.

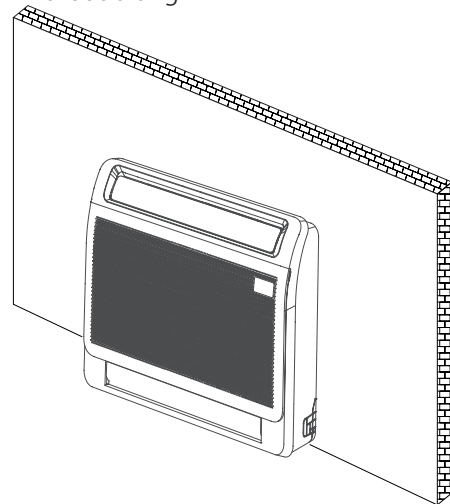
2. Fix the mounting plate with a tapping screw onto the wall.

NOTE: It is recommended to fix it on the wall according to the hanging hole indicated by the arrow on the mounting plate. Mounting plate must be installed horizontally.



3. Hang the indoor unit on the mounting plate. (The bottom of body can touch the floor or remain suspended, but the body must be installed vertically.)

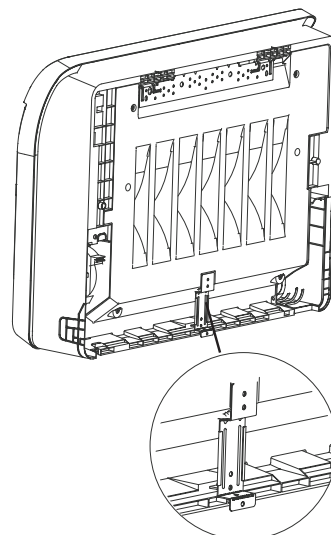
NOTE: After installation, the unit shall be kept horizontal without tilting.

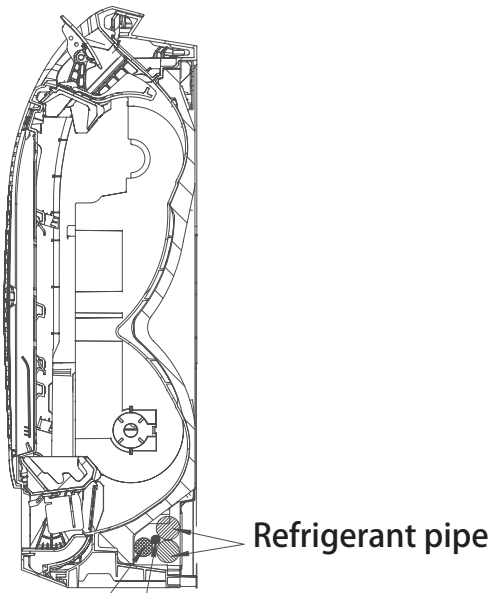


#### 4. Bottom mounting plate installation

- Installation without skirting

The bottom mounting plate is fixed directly to the wall.

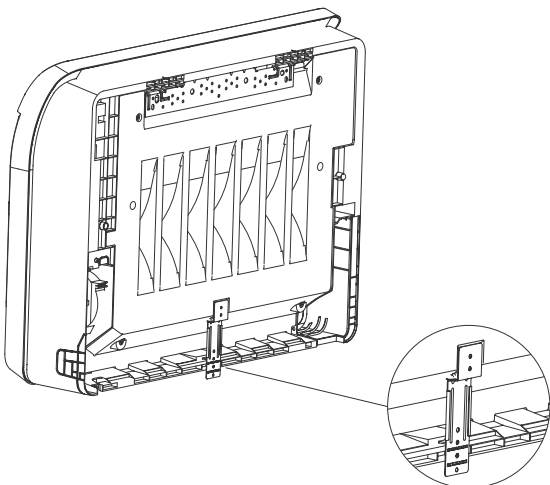
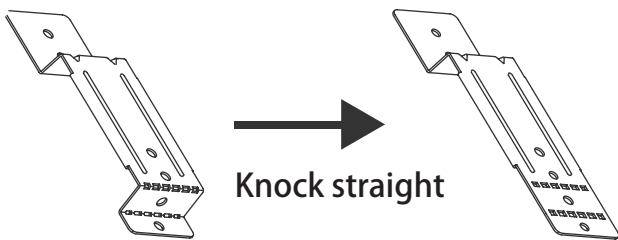




**Drain-pipe Power cord**

NOTE: In order to drain smoothly, the position of the drain pipe must refer to the above figure when discharging the right pipe.

- Installation with skirting line

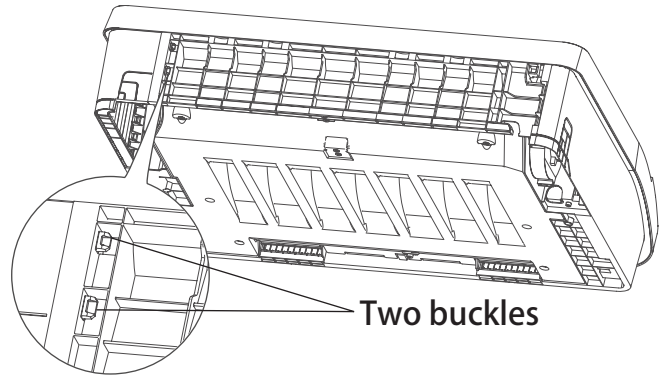


### 3.3 Taking the indoor unit apart to connect the pipe

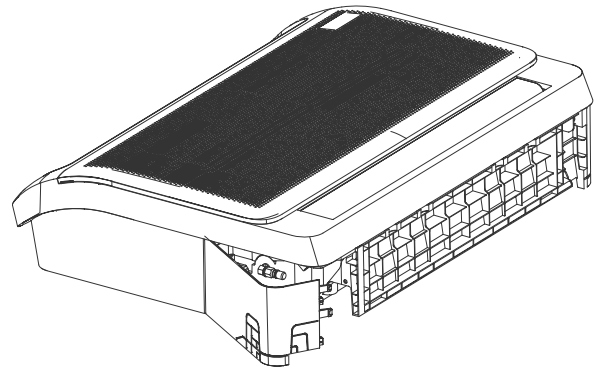
#### 1. Open the bottom piping cover plate

Press and hold the bottom two buckles, and then rotate to

open the piping cover plate.

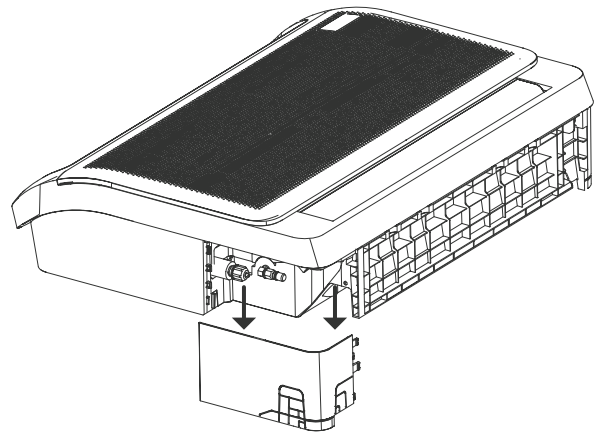


**Two buckles**



2. Remove the cover plate.

Remove the pipe cover plate and install the internal and external connecting pipes.

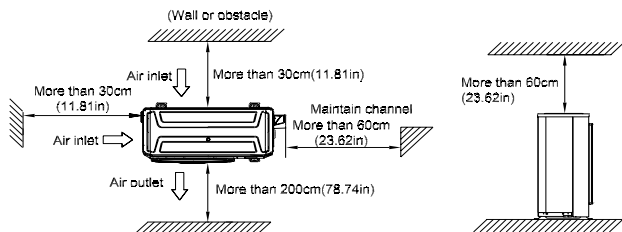


NOTE: Install small-size piping first, and then large-size piping.

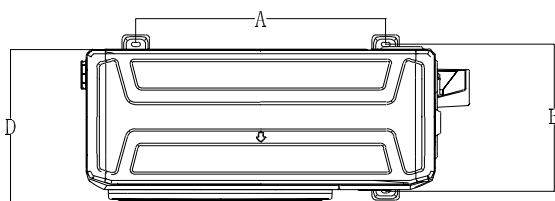
NOTE: All the figures in this manual are for demonstration purposes only. The air conditioner you have purchased may be slightly different in design, though similar in shape.

## 4. Outdoor unit installation(Side Discharge Unit)

### 4.1 Service space for outdoor unit



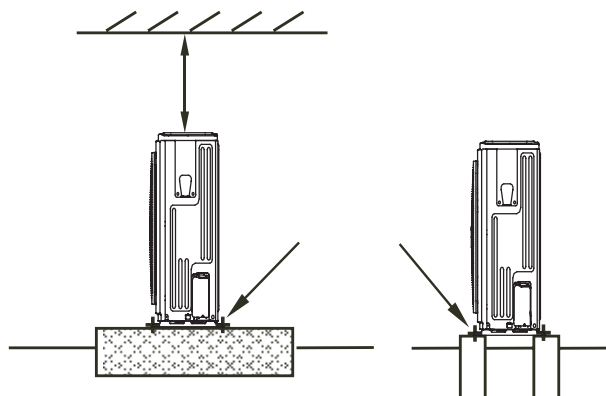
### 4.2 Bolt pitch



Capacity(kBtu/h)	A(mm)	B(mm)	D(mm)
12	452	286	303
18	511	317	330

### 4.3 Install Outdoor Unit

Fix the outdoor unit with anchor bolts(M10)



#### Cation

Since the gravity center of the unit is not at its physical center, so please be careful when lifting it with a sling.

Never hold the inlet of the outdoor unit to prevent it from

deforming.

Do not touch the fan with hands or other objects.

Do not lean it more than 45°, and do not lay it sidelong.

Make concrete foundation according to the specifications of the outdoor units.

Fasten the feet of this unit with bolts firmly to prevent it from collapsing in case of earthquake or strong wind.

## 5. Drainage Pipe Installation

Install the drainage pipe as shown below and take measures against condensation. Improperly installation could lead to leakage and eventually wet furniture and belongings.

### 5.1 Installation principle

- Ensure at least 1/100 slope of the drainage pipe
- Adopt suitable pipe diameter
- Adopt nearby condensate water discharge

### 5.2 Key points of drainage water pipe installation

1. Considering the pipeline route and elevation.
  - Before installing condensate water pipeline, determine its route and elevation to avoid intersection with other pipelines and ensure slope is straight.
2. Drainage pipe selection
  - The drainage pipe diameter shall not small than the drain hose of indoor unit
  - According to the water flowrate and drainage pipe slope to choose the suitable pipe, the water flowrate is decided by the capacity of indoor unit.

#### Relationship between water flowrate and capacity of indoor unit

Capacity (kBtu)	Water flowrate (l/h)
12	2.4
18	4
24	6
36	8
48	12
55	14

According to the above table to calculate the total water flowrate for the confluence pipe selection.

#### For horizontal drainage pipe (The following table is for reference)

PVC pipe	Reference value of inner diameter of pipe (mm)	Allowable maximum water flowrate (l/h)		Remark
		Slope 1/50	Slope 1/100	
PVC25	20	39	27	For branch pipe
PVC32	25	70	50	
PVC40	31	125	88	Could be used for confluence pipe
PVC50	40	247	175	
PVC63	51	473	334	

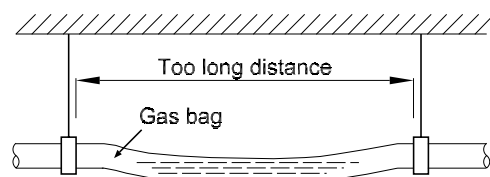
Attention: Adopt PVC40 or bigger pipe to be the main pipe.

#### For Vertical drainage pipe (The following table is for reference)

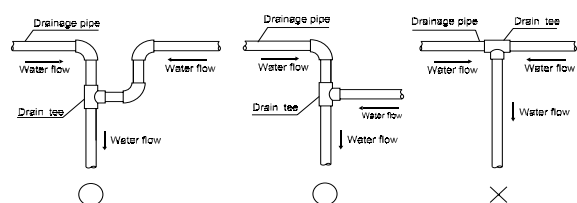
PVC pipe	Reference value of inner diameter of pipe (mm)	Allowable maximum water flowrate (l/h)	Remark
PVC25	20	220	For branch pipe
PVC32	25	410	
PVC40	31	730	Could be used for confluence pipe
PVC50	40	1440	
PVC63	51	2760	
PVC75	67	5710	
PVC90	77	8280	

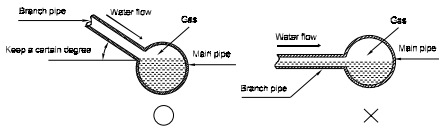
Attention: Adopt PVC40 or bigger pipe to be the main pipe.

3. Individual design of drainage pipe system
  - The drainage pipe of air conditioner shall be installed separately with other sewage pipe, rainwater pipe and drainage pipe in building.
  - The drainage pipe of the indoor unit with water pump should be apart from the one without water pump.
4. Supporter gap of drainage pipe
  - In general, the supporter gap of the drainage pipe horizontal pipe and vertical pipe is respectively 1m~1.5m and 1.5m~2.0m.
  - Each vertical pipe shall be equipped with not less than two hangers.
  - Overlarge hanger gap for horizontal pipe shall create bending, thus leading to air block.



#### 5. The horizontal pipe layout should avoid converse flow or bad flow

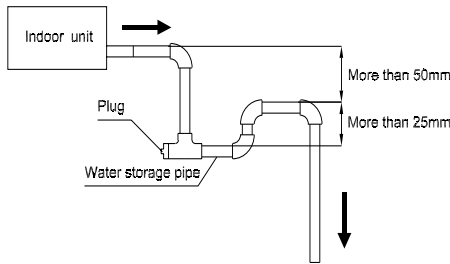




- The correct installation will not cause converse water flow and the slope of the branch pipes can be adjusted freely
- The false installation will cause converse water flow and the slope of the branch pipe can not be adjusted.

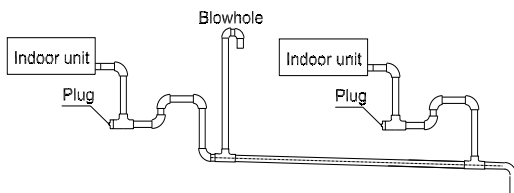
### 6. Water storage pipe setting

- If the indoor unit has high extra static pressure and without water pump to elevate the condensate water, such as high extra static pressure duct unit, the water storage pipe should be set to avoid converse flow or blow water phenomena.



### 8. Blowhole setting

- For the concentrated drainage pipe system, there should design a blowhole at the highest point of main pipe to ensure the condensate water discharge smoothly.
- The air outlet shall face down to prevent dirt entering pipe.
- Each indoor unit of the system should be installed it.
- The installation should be considering the convenience for future cleaning.



9. The end of drainage pipe shall not contact with ground directly.

### 5.3 Insulation work of drainage pipe

Refer the introduction to the insulation engineering parts.

## 6. Refrigerant Pipe Installation

### 6.1 Maximum length and drop height

Ensure that the length of the refrigerant pipe, the number of bends, and the drop height between the indoor and outdoor units meets the requirements shown in the following table.

Capacity(kBtu/h)	Max. Length (m/ft)	Max. Elevation (m/ft)
12	25/82	10/32.8
18	30/98.4	20/65.6

#### caution:

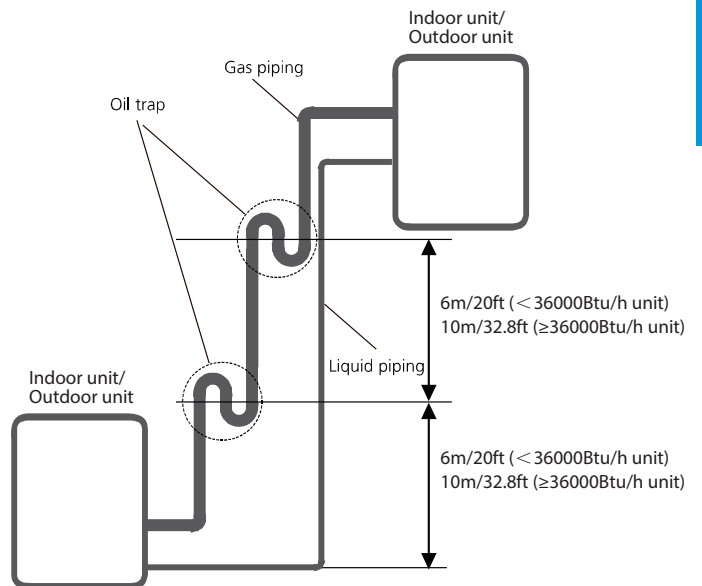
- The capacity test is based on the standard length and the maximum permissible length is based on the system reliability.

- Oil traps

-If oil flows back into the outdoor unit's compressor, this might cause liquid compression or deterioration of oil return. Oil traps in the rising gas piping can prevent this.

-An oil trap should be installed every 6m(20ft) of vertical suction line riser (<36000Btu/h unit).

-An oil trap should be installed every 10m(32.8ft) of vertical suction line riser (≥36000Btu/h unit).

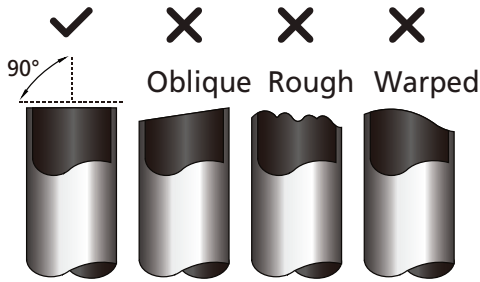


### 6.2 The procedure of connecting pipes

1. Choose the pipe size according to the specification table.
2. Confirm the cross way of the pipes.
3. Measure the necessary pipe length.



4. Cut the selected pipe with pipe cutter
- Make the section flat and smooth.



5. Insulate the copper pipe
- Before test operation, the joint parts should not be heat insulated.
6. Flare the pipe
- Insert a flare nut into the pipe before flaring the pipe
  - According to the following table to flare the pipe.

Pipe diameter (inch(mm))	Flare dimension A (mm/inch)		Flare shape
	Min	Max	
1/4" (6.35)	8.4/0.33	8.7/0.34	
3/8" (9.52)	13.2/0.52	13.5/0.53	
1/2" (12.7)	16.2/0.64	16.5/0.65	
5/8" (15.9)	19.2/0.76	19.7/0.78	
3/4" (19)	23.2/0.91	23.7/0.93	
7/8" (22)	26.4/1.04	26.9/1.06	

- After flared the pipe, the opening part must be seal by end cover or adhesive tape to avoid duct or exogenous impurity come into the pipe.
7. Drill holes if the pipes need to pass the wall.
8. According to the field condition to bend the pipes so that it can pass the wall smoothly.
9. Bind and wrap the wire together with the insulated pipe if necessary.
10. Set the wall conduit
11. Set the supporter for the pipe.
12. Locate the pipe and fix it by supporter
- For horizontal refrigerant pipe, the distance between supporters should not be exceed 1m.
  - For vertical refrigerant pipe, the distance between supporters should not be exceed 1.5m.
13. Connect the pipe to indoor unit and outdoor unit by using two spanners.

- Be sure to use two spanners and proper torque to fasten the nut, too large torque will damage the bellmouthing, and too small torque may cause leakage. Refer the following table for different pipe connection.

Pipe Diameter	Torque	Sketch map
	N.m(lb.ft)	
1/4" (6.35)	18~20 (13.3~14.8)	
3/8" (9.52)	32~39 (23.6~28.8)	
1/2" (12.7)	49~59 (36.1~43.5)	
5/8" (15.9)	57~71 (42~52.4)	
3/4" (19)	67~101 (49.4~74.5)	
7/8" (22)	85~110 (62.7-81.1)	

## 7. Vacuum Drying and Leakage Checking

### 7.1 Purpose of vacuum drying

- Eliminating moisture in system to prevent the phenomena of ice-blockage and copper oxidation. Ice-blockage shall cause abnormal operation of system, while copper oxide shall damage compressor.
- Eliminating the non-condensable gas (air) in system to prevent the components oxidizing, pressure fluctuation and bad heat exchange during the operation of system.

### 7.2 Selection of vacuum pump

- The ultimate vacuum degree of vacuum pump shall be -756mmHg or above.
- Precision of vacuum pump shall reach 0.02mmHg or above.

### 7.3 Operation procedure for vacuum drying

Due to different construction environment, two kinds of vacuum drying ways could be chosen, namely ordinary vacuum drying and special vacuum drying.

#### 7.3.1 Ordinary vacuum drying

- When conduct first vacuum drying, connect pressure gauge to the infusing mouth of gas pipe and liquid pipe,

and keep vacuum pump running for 1 hour (vacuum degree of vacuum pump shall be reached -755mmHg).

2. If the vacuum degree of vacuum pump could not reach -755mmHg after 1 hour of drying, it indicates that there is moisture or leakage in pipeline system and need to go on with drying for half an hour.

3. If the vacuum degree of vacuum pump still could not reach -755mmHg after 1.5 hours of drying, check whether there is leakage source.

4. Leakage test: After the vacuum degree reaches -755mmHg, stop vacuum drying and keep the pressure for 1 hour. If the indicator of vacuum gauge does not go up, it is qualified. If going up, it indicates that there is moisture or leak source.

### 7.3.2 Special vacuum drying

The special vacuum drying method shall be adopted when:

1. Finding moisture during flushing refrigerant pipe.
2. Conducting construction on rainy day, because rain water might penetrated into pipeline.
3. Construction period is long, and rain water might penetrated into pipeline.
4. Rain water might penetrate into pipeline during construction.

Procedures of special vacuum drying are as follows:

1. Vacuum drying for 1 hour.
2. Vacuum damage, filling nitrogen to reach 0.5Kgf/cm<sup>2</sup>.

Because nitrogen is dry gas, vacuum damage could achieve the effect of vacuum drying, but this method could not achieve drying thoroughly when there is too much moisture. Therefore, special attention shall be drawn to prevent the entering of water and the formation of condensate water.

3. Vacuum drying again for half an hour.

If the pressure reached -755mmHg, start to pressure leakage test. If it cannot reached the value, repeat vacuum damage and vacuum drying again for 1 hour.

4. Leakage test: After the vacuum degree reaches -755mmHg, stop vacuum drying and keep the pressure for 1 hour. If the indicator of vacuum gauge does not go up, it is qualified. If going up, it indicates that there is moisture or leak source.

## 8. Additional Refrigerant Charge

- After the vacuum drying process is carried out, the additional refrigerant charge process need to be performed.
- The outdoor unit is factory charged with refrigerant. The additional refrigerant charge volume is decided by the diameter and length of the liquid pipe between indoor and outdoor unit. Refer the following formula to calculate the charge volume.

Diameter of liquid pipe (mm)	Formula
6.35	$V=12g/m \times (L-5)$
9.52	$V=24g/m \times (L-5)$

**V:** Additional refrigerant charge volume (g).

**L :** The length of the liquid pipe (m).

Note:

- Refrigerant may only be charged after performed the vacuum drying process.
- Always use gloves and glasses to protect your hands and eyes during the charge work.
- Use electronic scale or fluid infusion apparatus to weight refrigerant to be recharged. Be sure to avoid extra refrigerant charged, it may cause liquid hammer of the compressor or protections.
- Use supplementing flexible pipe to connect refrigerant cylinder, pressure gauge and outdoor unit. And The refrigerant should be charged in liquid state. Before recharging, The air in the flexible pipe and manifold gauge should be exhausted.
- After finished refrigerant recharge process, check whether there is refrigerant leakage at the connection joint part.(Using gas leakage detector or soap water to detect).



## 9. Engineering of Insulation

### 9.1 Insulation of refrigerant pipe

#### 1. Operational procedure of refrigerant pipe insulation

Cut the suitable pipe → insulation (except joint section) → flare the pipe → piping layout and connection → vacuum drying → insulate the joint parts

#### 2. Purpose of refrigerant pipe insulation

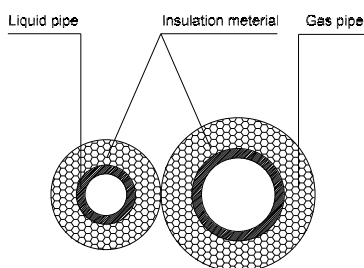
- During operation, temperature of gas pipe and liquid pipe shall be over-heating or over-cooling extremely. Therefore, it is necessary to carry out insulation; otherwise it shall debase the performance of unit and burn compressor.
- Gas pipe temperature is very low during cooling. If insulation is not enough, it shall form dew and cause leakage.
- Temperature of gas pipe is very high (generally 50-100 °C) during heating. Insulation work must be carried out to prevent hurt by carelessness touching.

#### 3. Insulation material selection for refrigerant pipe

- The burning performance should over 120 °C
- According to the local law to choose insulation materials
- The thickness of insulation layer shall be above 10mm. If in hot or wet environment place, the layer of insulation should be thicker accordingly.

#### 4. Installation highlights of insulation construction

- Gas pipe and liquid pipe shall be insulated separately, if the gas pipe and liquid pipe were insulated together; it will decrease the performance of air conditioner.



- The insulation material at the joint pipe shall be 5~10cm longer than the gap of the insulation material.
- The insulation material at the joint pipe shall be inserted into the gap of the insulation material.
- The insulation material at the joint pipe shall be banded to the gap pipe and liquid pipe tightly.
- The linking part should be use glue to paste together
- Be sure not bind the insulation material over-tight, it may extrude out the air in the material to cause bad

insulation and cause easy aging of the material.

### 9.2 Insulation of drainage pipe

#### 1. Operational procedure of refrigerant pipe insulation

Select the suitable pipe → insulation (except joint section) → piping layout and connection → drainage test → insulate the joint parts

#### 2. Purpose of drainage pipe insulation

The temperature of condensate drainage water is very low. If insulation is not enough, it shall form dew and cause leakage to damage the house decoration.

#### 3. Insulation material selection for drainage pipe

- The insulation material should be flame retardant material, the flame retardancy of the material should be selected according to the local law.
- Thickness of insulation layer is usually above 10mm.
- Use specific glue to paste the seam of insulation material, and then bind with adhesive tape. The width of tape shall not be less than 5cm. Make sure it is firm and avoid dew.

#### 4. Installation and highlights of insulation construction

- The single pipe should be insulated before connecting to another pipe, the joint part should be insulated after the drainage test.
- There should be no insulation gap between the insulation material.

## 10. Engineering of Electrical Wiring

### 10.1 Highlights of electrical wiring installation

- All field wiring construction should be finished by qualified electrician.
- Air conditioning equipment should be grounded according to the local electrical regulations.
- Current leakage protection switch should be installed.
- Do not connect the power wire to the terminal of signal wire.
- When power wire is parallel with signal wire, put wires to their own wire tube and remain at least 300mm gap.
- According to table in indoor part named "the specification of the power" to choose the wiring, make sure the selected wiring not small than the date showing in the table.
- Select different colors for different wire according to relevant regulations.
- Do not use metal wire tube at the place with acid or alkali corrosion, adopt plastic wire tube to replace it.
- There must be not wire connect joint in the wire tube If joint is a must, set a connection box at the place.
- The wiring with different voltage should not be in one wire tube.
- Ensure that the color of the wires of outdoor and the terminal No. are same as those of indoor unit respectively.
- You must first choose the right cable size before preparing it for connection. Be sure to use H07RN-F cables.

Table: Minimum Cross-Sectional Area able of Power and Signal Cables

Rated Current of Appliance (A)	Nominal Cross-Sectional Area(mm <sup>2</sup> )
≤ 6	0.75
6 - 10	1
10 - 16	1.5
16 - 25	2.5
25 - 32	4
32 - 45	6

## 11. Test Operation

### 11.1 The test operation must be carried out after the entire installation has been completed.

### 11.2 Please confirm the following points before the test operation.

- The indoor unit and outdoor unit are installed properly.
- Tubing and wiring are correctly completed.
- The refrigerant pipe system is leakage-checked.
- The drainage is unimpeded.
- The ground wiring is connected correctly.
- The length of the tubing and the added stow capacity of the refrigerant have been recorded.
- The power voltage fits the rated voltage of the air conditioner.
- There is no obstacle at the outlet and inlet of the outdoor and indoor units.
- The gas-side and liquid-side stop valves are both opened.
- The air conditioner is pre-heated by turning on the power.

### 11.3 Test operation

1. Open both the liquid and gas stop valves.
2. Turn on the main power switch and allow the unit to warm up.
3. Set the air conditioner to COOL mode, and check the following points.

#### Indoor unit

- Whether the switch on the remote controller works well.
- Whether the buttons on the remote controller works well.
- Whether the air flow louver moves normally.
- Whether the room temperature is adjusted well.
- Whether the indicator lights normally.
- Whether the temporary buttons works well.
- Whether the drainage is normal.
- Whether there is vibration or abnormal noise during operation.

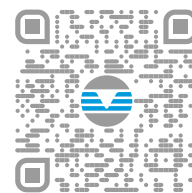
#### Outdoor unit

- Whether there is vibration or abnormal noise during operation.
- Whether the generated wind, noise, or condensed of by the air conditioner have influenced your neighborhood.
- Whether any of the refrigerant is leaked.

## Drainage Test

- a. Ensure the drainpipe flows smoothly. New buildings should perform this test before finishing the ceiling.
- b. Remove the test cover. Add 2000ml of water to the tank through the attached tube.
- c. Turn on the main power switch and run the air conditioner in COOL mode.
- d. Listen to the sound of the drain pump to see if it makes any unusual noises.
- e. Check to see that the water is discharged. It may take up to one minute before the unit begins to drain depending on the drainpipe.
- f. Make sure that there are no leaks in any of the piping.
- g. Stop the air conditioner. Turn off the main power switch and reinstall the test cover.

FOR 30 YEARS WE HAVE BEEN OFFERING  
SOLUTIONS FOR SUSTAINABLE COMFORT  
THE WELL-BEING OF PEOPLE AND  
THE ENVIRONMENT



sales and service

[www.clivet.com](http://www.clivet.com)



**CLIVET SPA**

Via Camp Lonc 25, Z.I. Villapaiera

32032 Feltre (BL) - Italy

Tel. +39 0439 3131 - Fax +39 0439 313300

[info@clivet.it](mailto:info@clivet.it)

**MideaGroup**  
*humanizing technology*